



US00D973458S

(12) **United States Design Patent** (10) **Patent No.:** **US D973,458 S**
Su (45) **Date of Patent:** **** Dec. 27, 2022**

(54) **SCRAPER**

(71) Applicant: **Hong Ann Tool Industries Co., Ltd.,**
Taichung (TW)

(72) Inventor: **Cheng-Wei Su,** Taichung (TW)

(73) Assignee: **Hong Ann Tool Industries Co., Ltd.,**
Taichung (TW)

(**) Term: **15 Years**

(21) Appl. No.: **29/764,438**

(22) Filed: **Dec. 30, 2020**

(51) **LOC (13) Cl.** **08-05**

(52) **U.S. Cl.**
USPC **D8/47; D32/46**

(58) **Field of Classification Search**
USPC D8/14, 17, 19, 20, 45, 47, 88, 89;
D7/688; D32/46
CPC B44D 3/164; A47L 13/02; A47L 13/08;
E04F 21/00
See application file for complete search history.

(56) **References Cited**

U.S. PATENT DOCUMENTS

D286,457 S	*	10/1986	Thomas	D32/49
D386,372 S	*	11/1997	Weiss	D32/42
D437,534 S	*	2/2001	Gloden	D8/89
D507,728 S	*	7/2005	Graff	D8/18
D537,589 S	*	2/2007	Huddleston	D32/47
D638,184 S	*	5/2011	Lesche	D32/46

D663,591 S	*	7/2012	Madren	D7/688
D677,847 S	*	3/2013	Thompson	D32/46
D687,202 S	*	7/2013	Motsenbocker	D32/49
D706,100 S	*	6/2014	Olson	D8/20
D885,152 S	*	5/2020	Chavez	D32/46
D897,182 S	*	9/2020	Marfione	D8/20
D904,845 S	*	12/2020	Scimone	D8/47
D921,462 S	*	6/2021	Farrell	D8/45
D935,123 S	*	11/2021	Lange	D32/46

* cited by examiner

Primary Examiner — Philip S Hyder

(74) *Attorney, Agent, or Firm* — Alan D. Kamrath; Karin L. Williams; Mayer & Williams PC

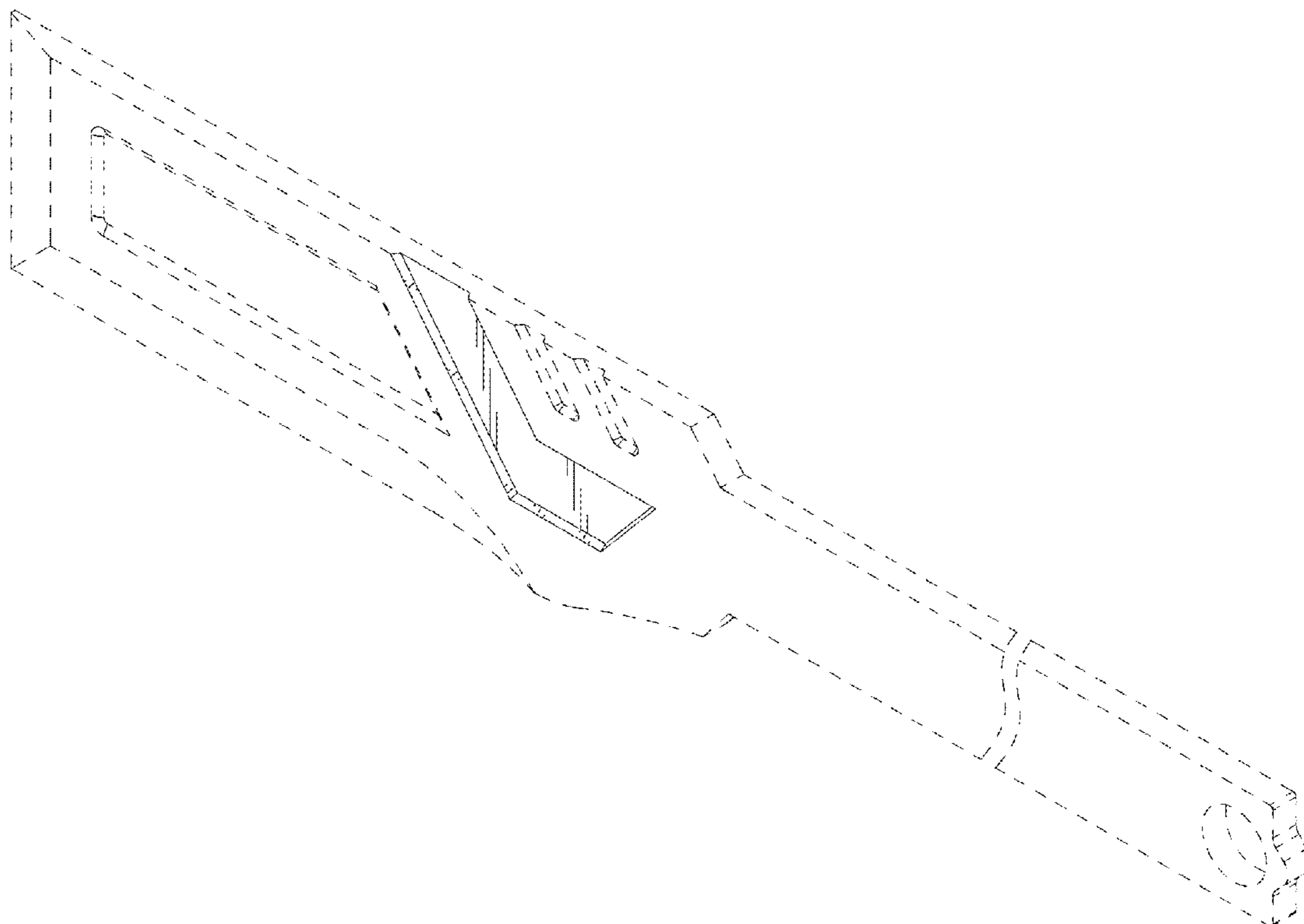
(57) **CLAIM**

The ornamental design for a scraper, as shown and described.

DESCRIPTION

FIG. 1 is a perspective view of a scraper showing my new design;
FIG. 2 is a front view thereof;
FIG. 3 is a rear view thereof;
FIG. 4 is a left view thereof;
FIG. 5 is a right view thereof;
FIG. 6 is a top view thereof;
FIG. 7 is a bottom view thereof; and,
FIG. 8 is a sectional view taken along line 8-8 of FIG. 2.
The broken lines depict portions of the scraper in which the design is embodied that are not considered part of the claimed design.

1 Claim, 8 Drawing Sheets



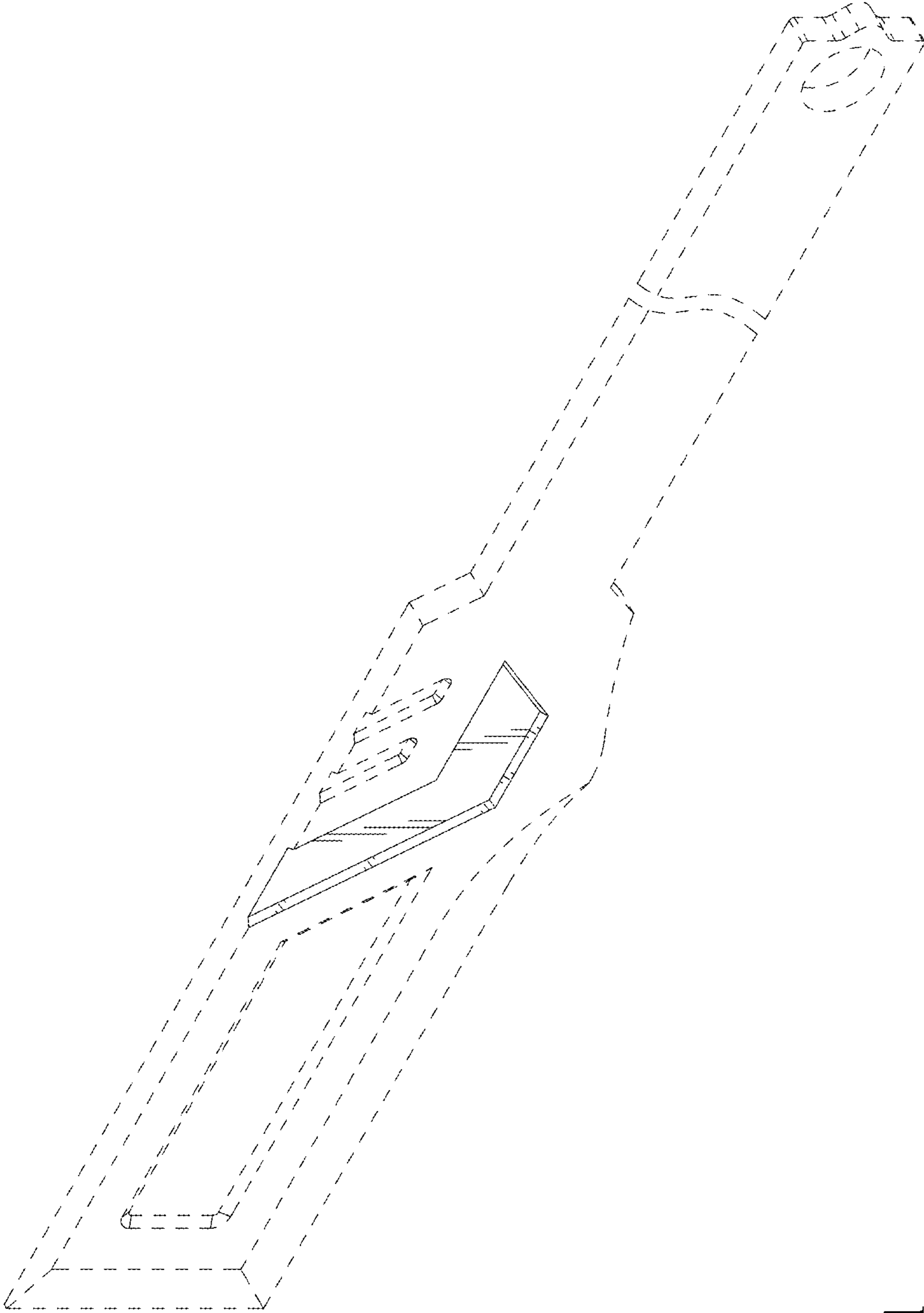


FIG. 1

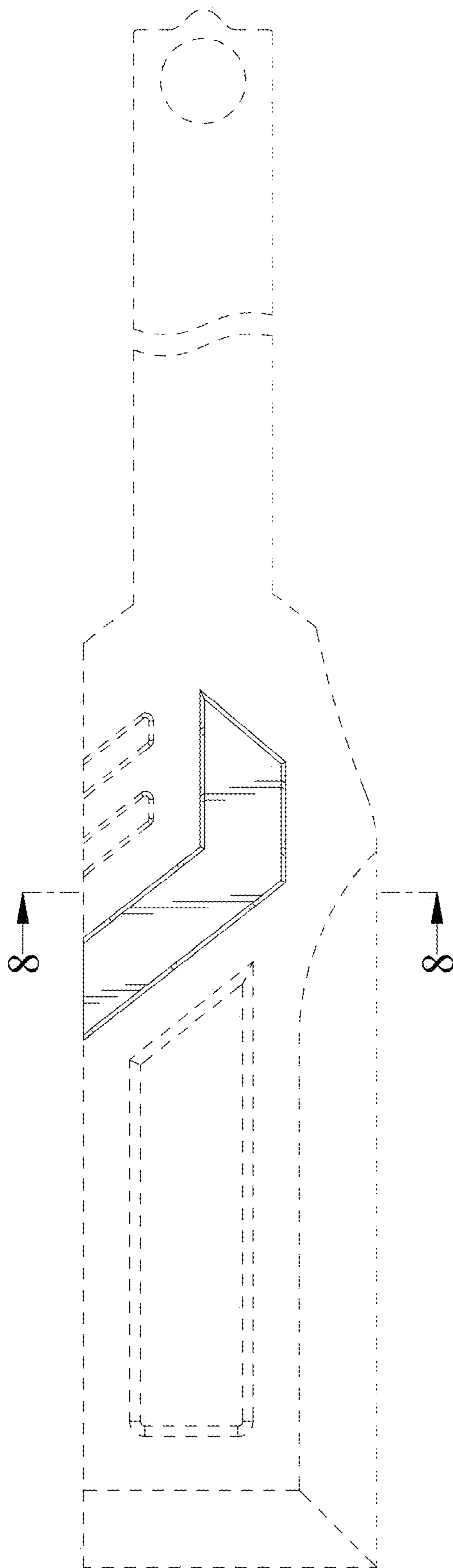


FIG. 2

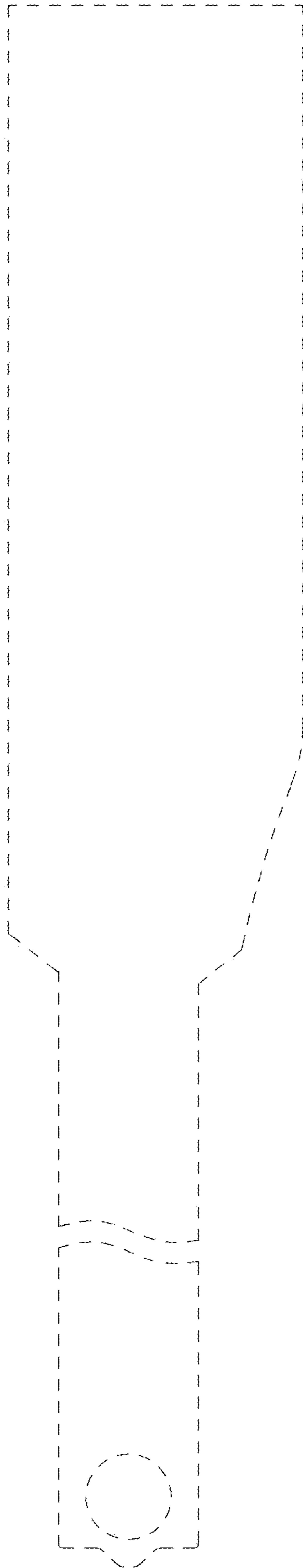


FIG. 3



FIG. 4



FIG. 5

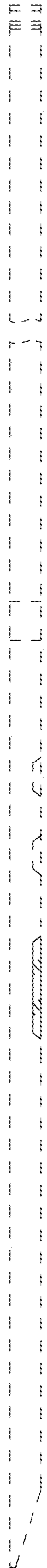


FIG. 6



FIG. 7

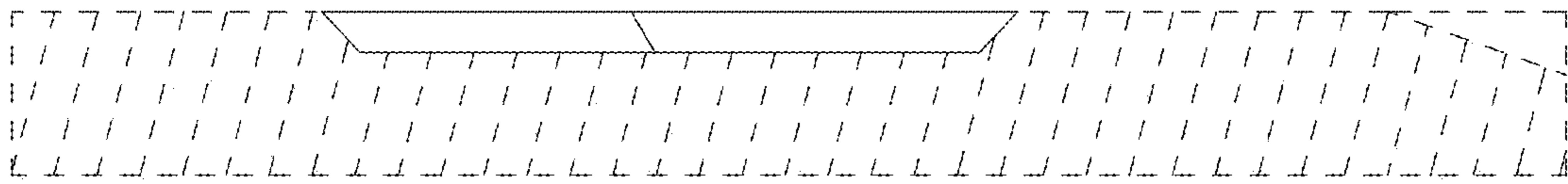


FIG. 8