



US00D973457S

(12) **United States Design Patent**  
**Kennard**

(10) **Patent No.:** **US D973,457 S**

(45) **Date of Patent:** **\*\* Dec. 27, 2022**

(54) **TILE REMOVAL IMPLEMENT**

(71) Applicant: **Makinex IP Pty Ltd**, Artarmon (AU)

(72) Inventor: **Rory Campbell Kennard**, Artarmon (AU)

(73) Assignee: **Makinex IP PTY LTD**, Artarmon (AU)

(\*\*) Term: **15 Years**

(21) Appl. No.: **29/749,484**

(22) Filed: **Sep. 4, 2020**

(30) **Foreign Application Priority Data**

Apr. 15, 2020 (AU) ..... 202012239

(51) **LOC (13) Cl.** ..... **08-05**

(52) **U.S. Cl.**  
USPC ..... **D8/47; D8/107**

(58) **Field of Classification Search**  
USPC ..... D32/46; D8/14, 45, 47, 88, 89; D15/28, D15/32  
CPC ..... E04G 23/006; E02F 3/844; E02F 3/7618  
See application file for complete search history.

(56) **References Cited**

**U.S. PATENT DOCUMENTS**

- 2,769,236 A \* 11/1956 Andrew ..... E04G 23/006  
30/169
- 4,202,093 A \* 5/1980 Wallerstein ..... A47L 13/08  
15/236.01
- 4,365,843 A \* 12/1982 Grasse ..... E04G 23/006  
15/93.1
- D273,839 S \* 5/1984 Anderson ..... D8/89
- D281,759 S \* 12/1985 Filippini ..... D8/107
- 4,598,476 A \* 7/1986 Grasse ..... A47L 13/08  
30/169

(Continued)

**OTHER PUBLICATIONS**

Amazon, "Amazon.com: Makinex TSH-CU Universal Tile Smasher Head, 6" Blade, Compatible With Bosch 11335K, Dewalt 25960,

Hitachi H65, Makita Hm1307 and Hm1317 : Tools & Home Improvement," <https://www.amazon.com/Makinex-TSH-CU-Universal-Smasher-Compatible/dp/B01NCPWFUF>, printed on Apr. 18, 2022, pp. 1-4.

(Continued)

*Primary Examiner* — Philip S Hyder

(74) *Attorney, Agent, or Firm* — Cahn & Samuels, LLP

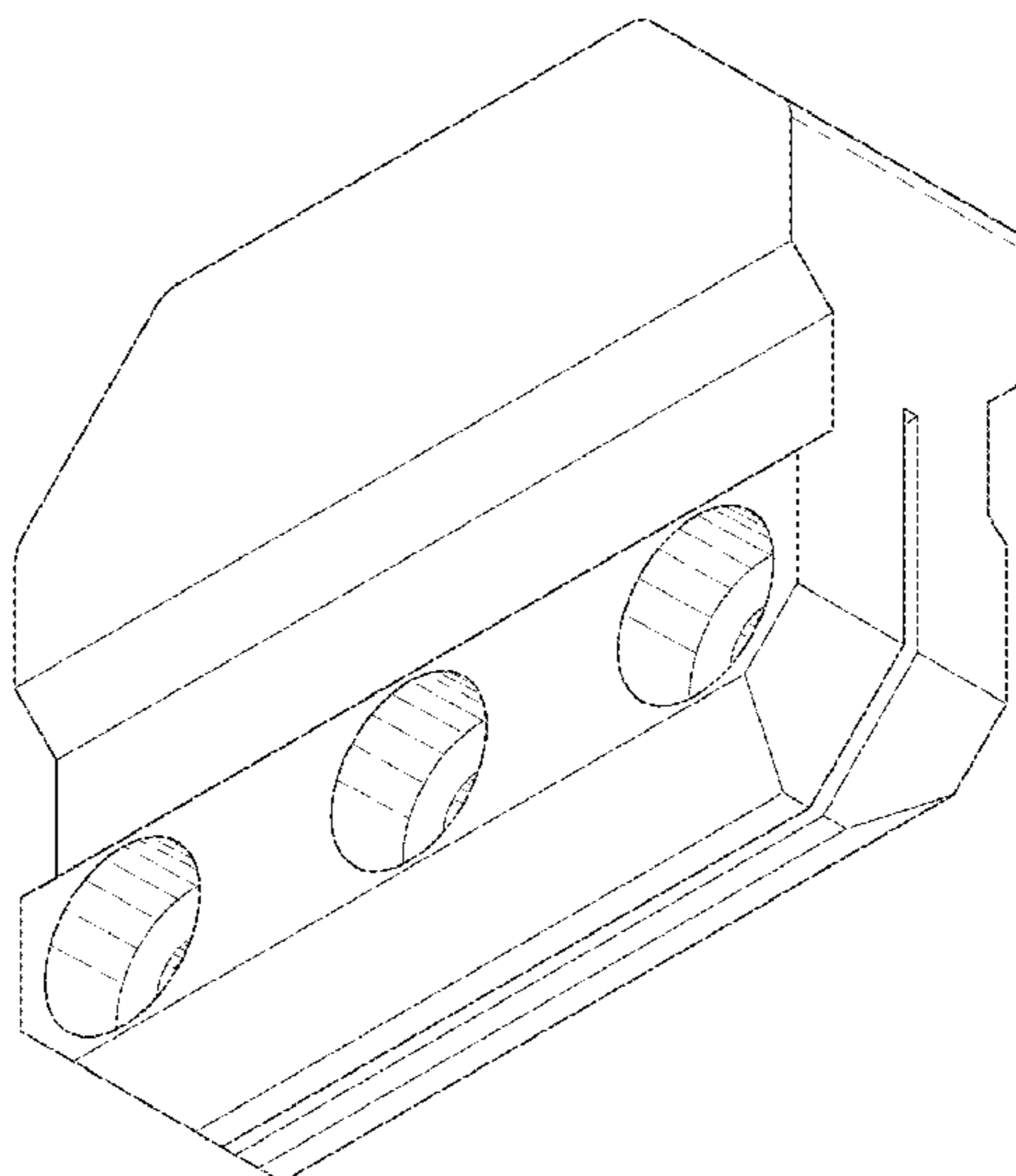
(57) **CLAIM**

The ornamental design for a tile removal implement, as shown and described.

**DESCRIPTION**

FIG. 1 shows a front elevation view of the tile removal implement,  
 FIG. 2 is a rear elevation view of the tile removal implement of FIG. 1,  
 FIG. 3 is a right side elevation view of the tile removal implement of FIG. 1,  
 FIG. 4 is a left side elevation view of the tile removal implement of FIG. 1,  
 FIG. 5 is a top plan view of the tile removal implement of FIG. 1,  
 FIG. 6 is a bottom plan view of the tile removal implement of FIG. 1,  
 FIG. 7 is a first isometric view of the tile removal implement of FIG. 1,  
 FIG. 8 is a second isometric view of the tile removal implement of FIG. 1,  
 FIG. 9 is a third isometric view of the tile removal implement of FIG. 1; and,  
 FIG. 10 is a fourth isometric view of the tile removal implement of FIG. 1.  
 The broken line is included for the purpose of illustrating boundaries that form no part of the claimed design.

**1 Claim, 10 Drawing Sheets**



(56)

**References Cited**

U.S. PATENT DOCUMENTS

6,085,424 A \* 7/2000 Mai ..... B25F 1/02  
 15/236.01  
 6,343,981 B1 \* 2/2002 Buchanan ..... E04G 23/006  
 156/763  
 6,428,108 B1 8/2002 Chase  
 6,988,776 B1 \* 1/2006 Davidson ..... E02F 3/844  
 15/93.1  
 D537,591 S \* 2/2007 Gringer ..... D32/46  
 7,562,412 B1 \* 7/2009 Anderson ..... E04G 23/006  
 15/93.1  
 7,712,839 B1 \* 5/2010 Chen ..... E04G 23/006  
 15/93.1  
 D753,890 S \* 4/2016 Zemel ..... D32/46  
 D882,197 S \* 4/2020 Zemel ..... D32/46  
 2005/0060891 A1 \* 3/2005 Anderson ..... E04D 15/003  
 30/170

2007/0228805 A1 \* 10/2007 Due ..... E01C 23/124  
 299/37.1  
 2009/0188116 A1 \* 7/2009 van Deursen ..... A47L 13/022  
 30/169  
 2010/0059949 A1 3/2010 Kennard  
 2017/0002576 A1 \* 1/2017 Chambers ..... E04G 23/006  
 2018/0016803 A1 \* 1/2018 Clark ..... E04G 23/006  
 2018/0085907 A1 \* 3/2018 Wilson ..... B62B 5/065  
 2021/0277674 A1 \* 9/2021 Weaver, IV ..... B25D 1/16

OTHER PUBLICATIONS

Amazon, "Champion Chisel, Heavy Duty—Floor Scraper System, 1-1/8-Inch Hex Notch Shank, Works great with Demolition Hammer Carts—Amazon.com," [https://www.amazon.com/Champion-Chisel-Scraper-Works-Demolition/dp/B07XSNLNTX/ref=pd\\_lpo\\_2?pd\\_rd\\_i=B07XSNLNTX&psc=1](https://www.amazon.com/Champion-Chisel-Scraper-Works-Demolition/dp/B07XSNLNTX/ref=pd_lpo_2?pd_rd_i=B07XSNLNTX&psc=1), printed on Apr. 18, 2022, pp. 1-4.

\* cited by examiner

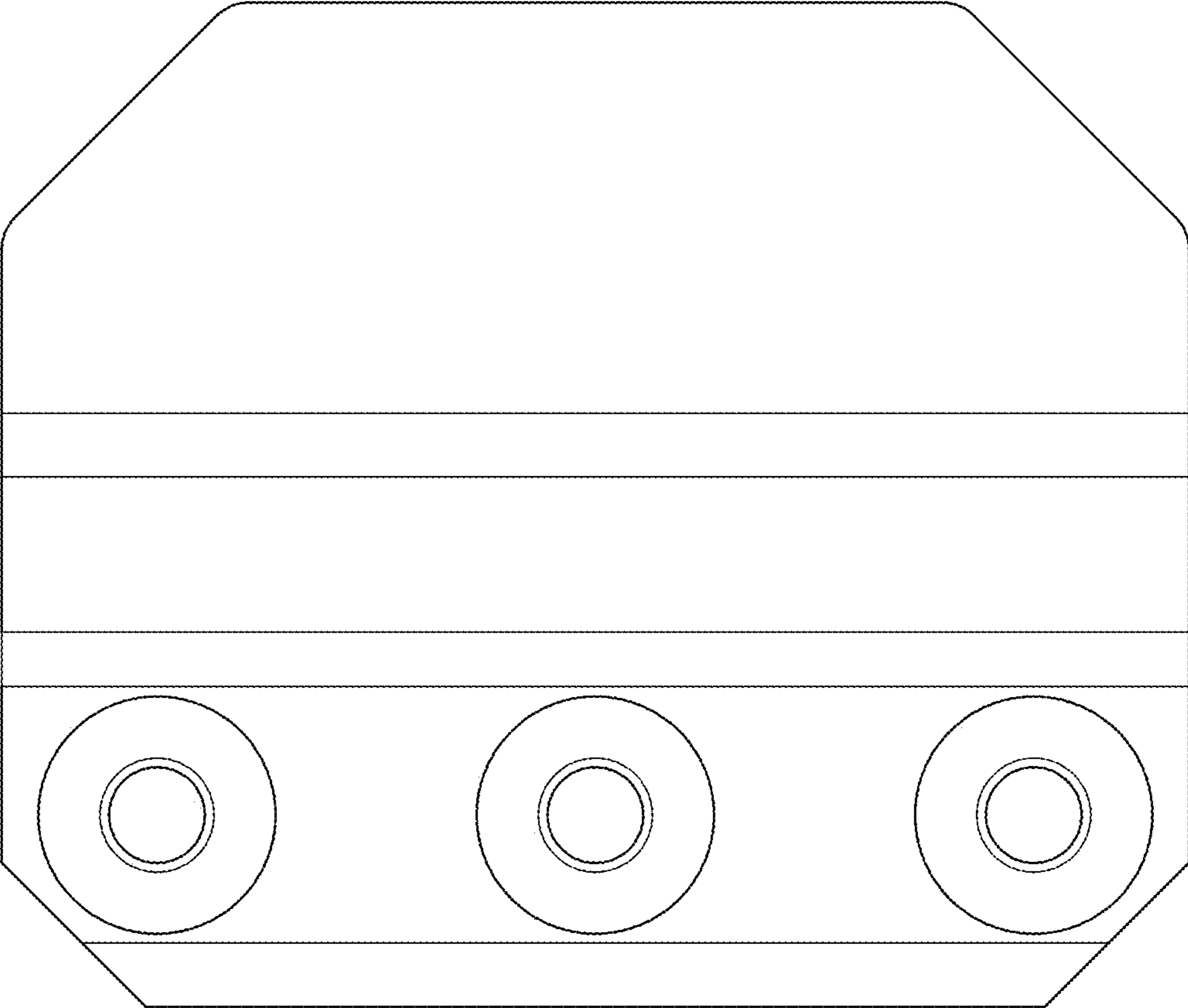


FIGURE 1

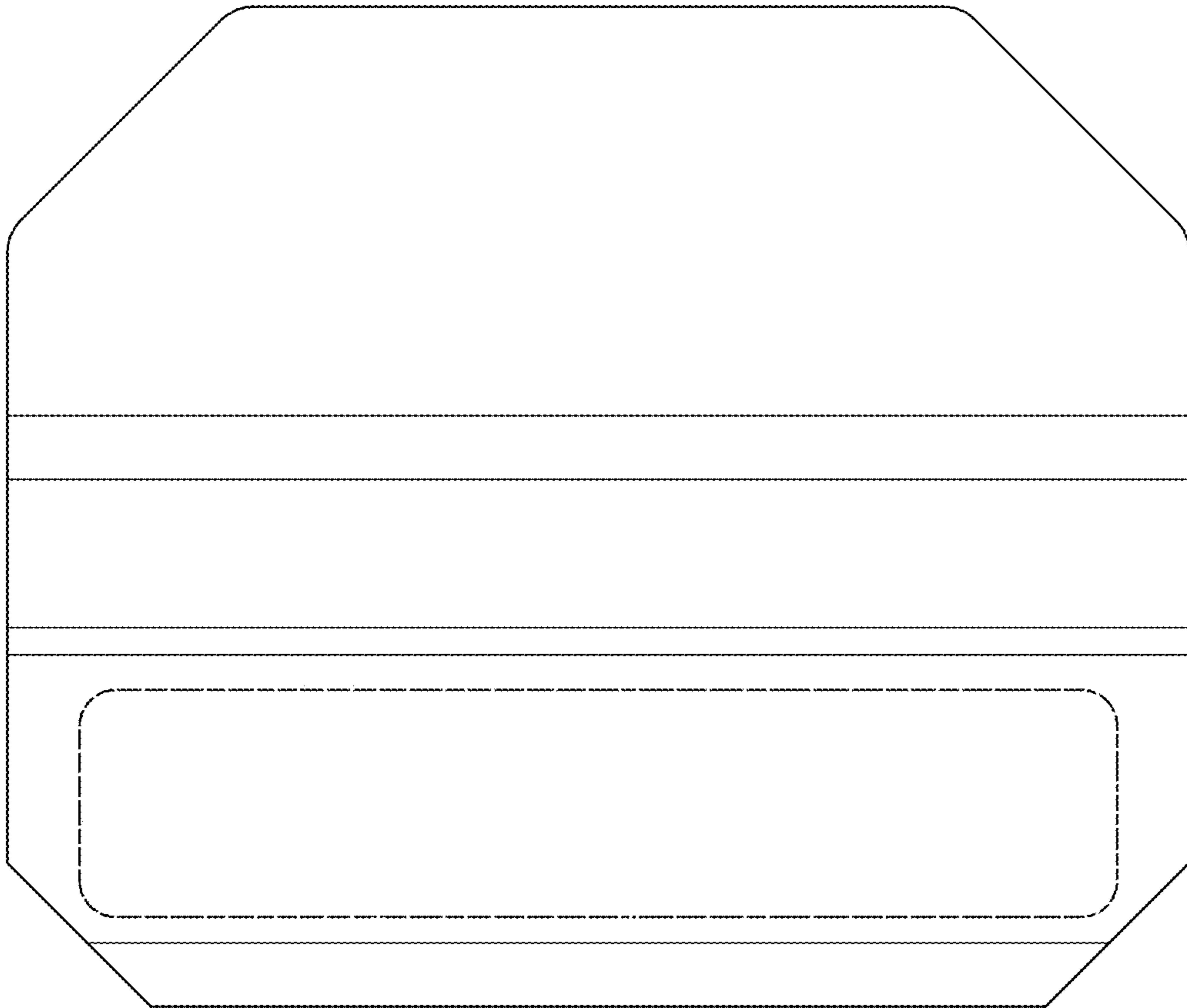


FIGURE 2

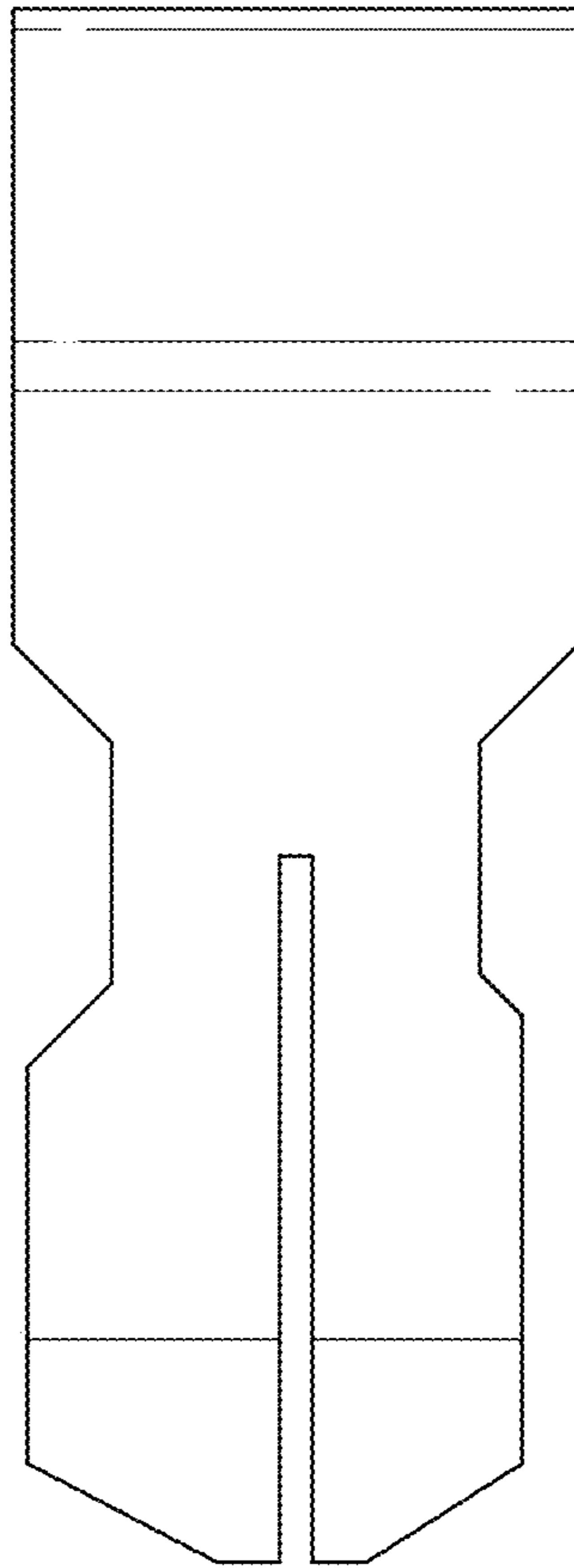


FIGURE 3

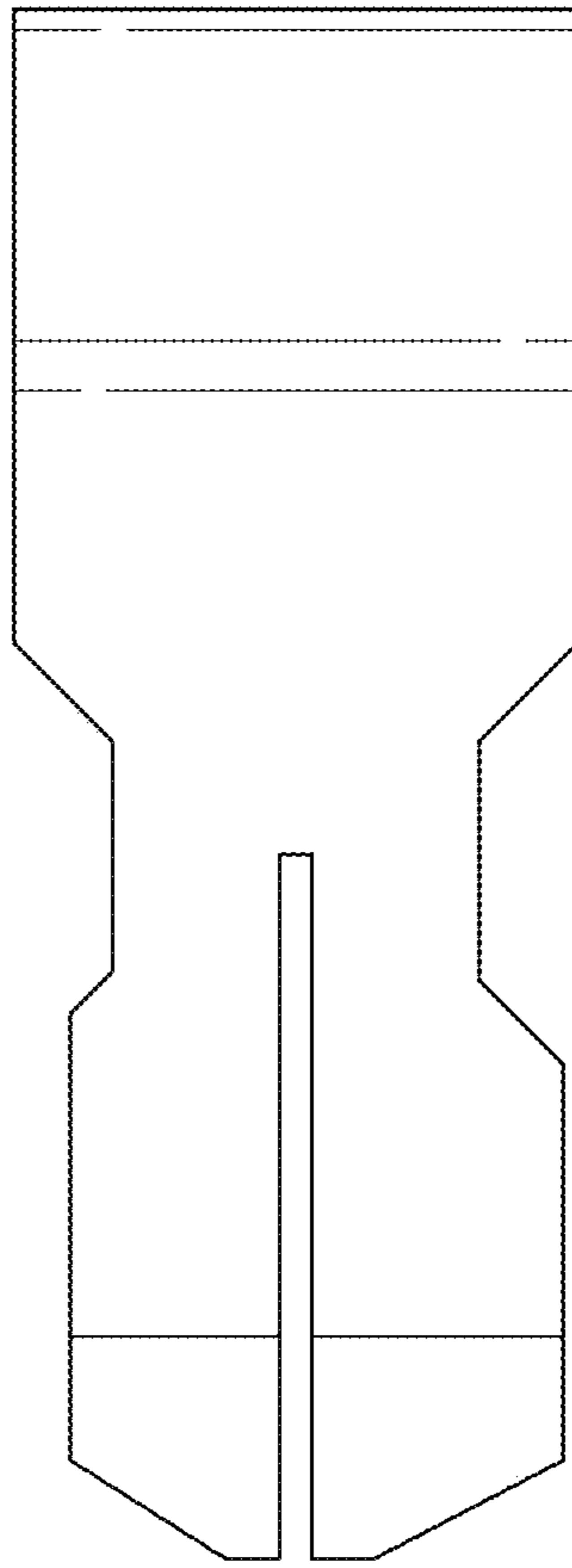


FIGURE 4

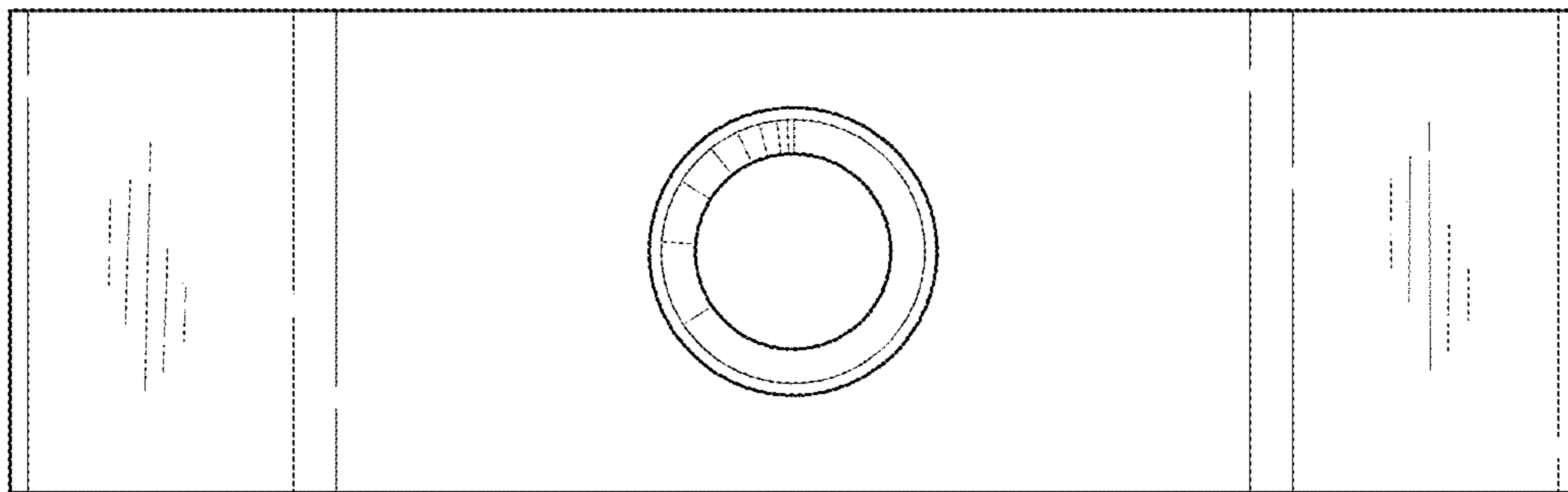


FIGURE 5

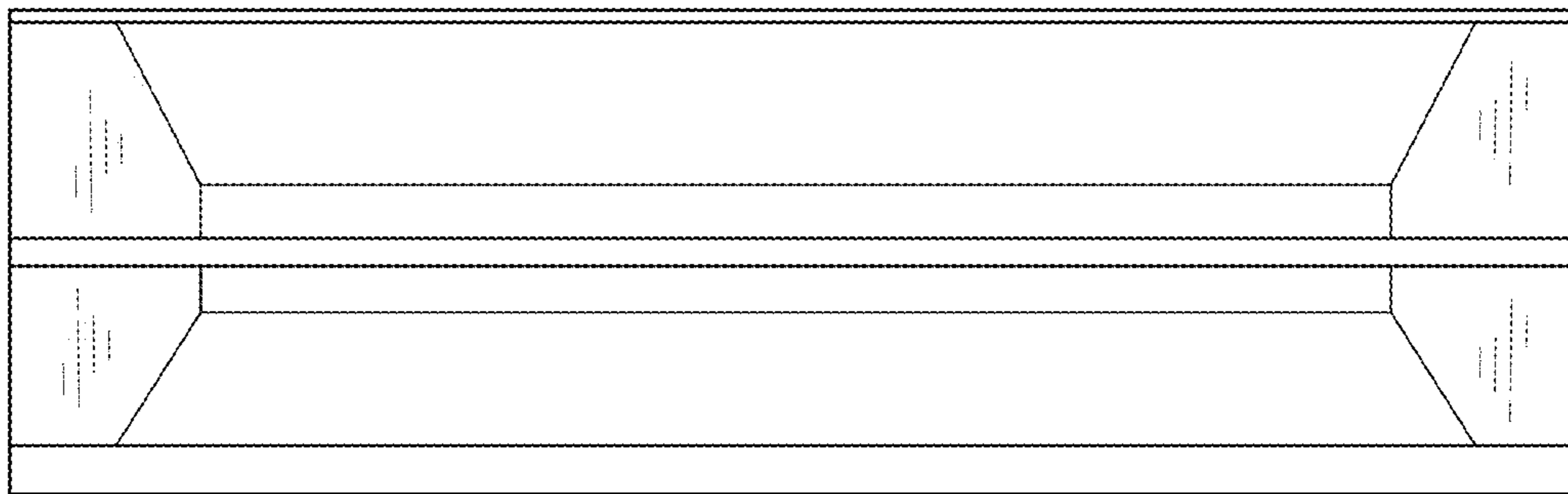


FIGURE 6



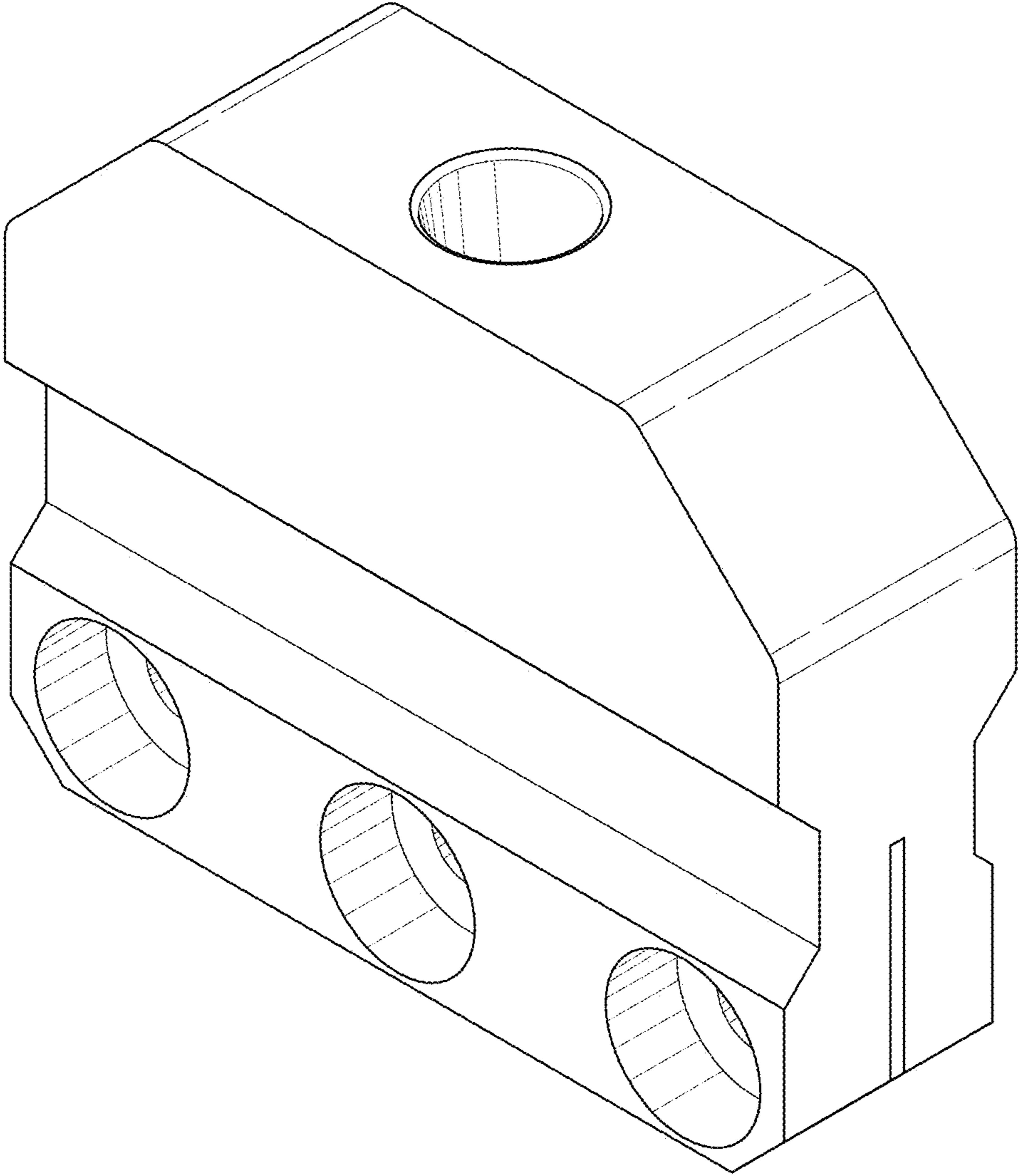


FIGURE 7

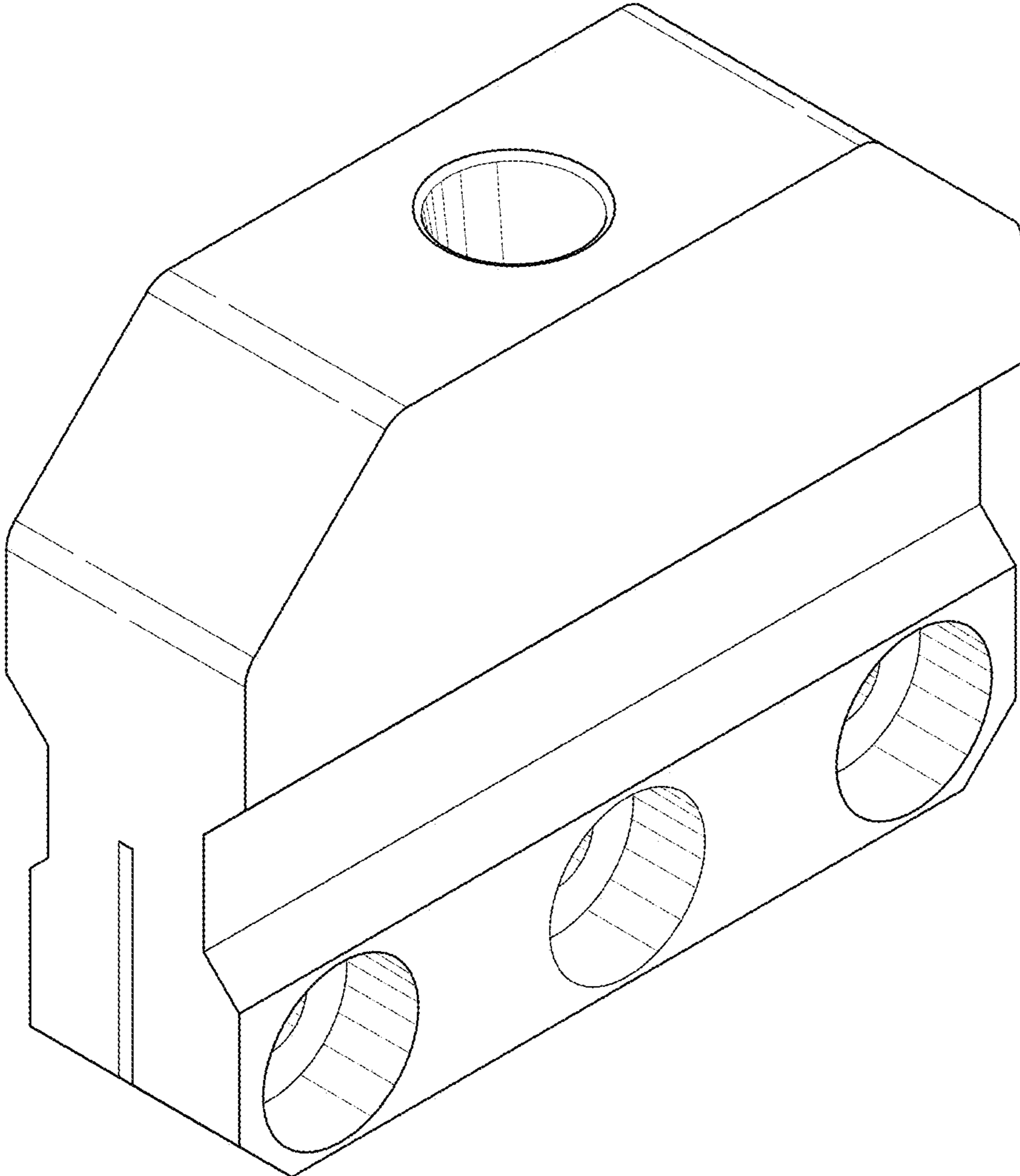


FIGURE 8

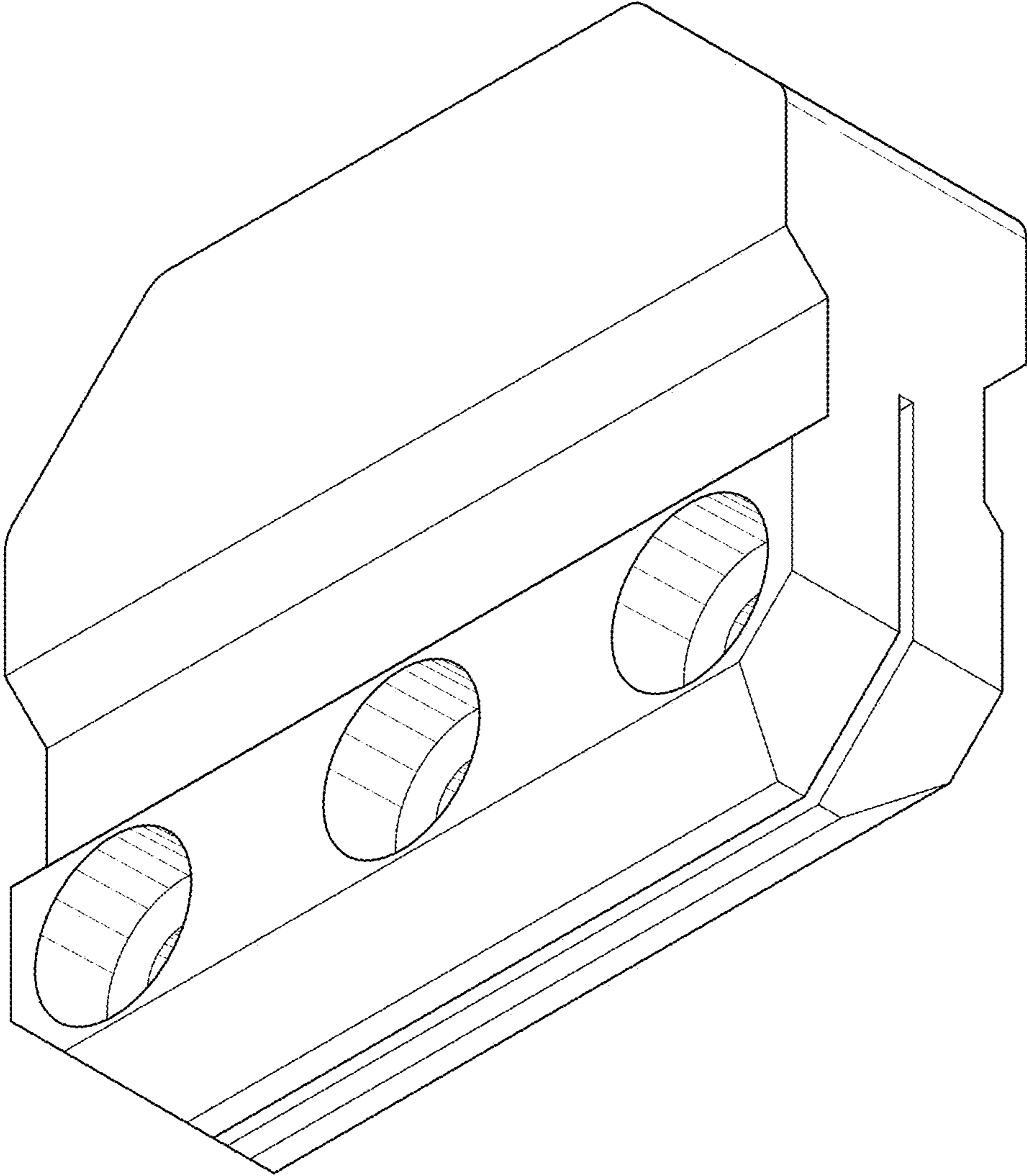


FIGURE 9

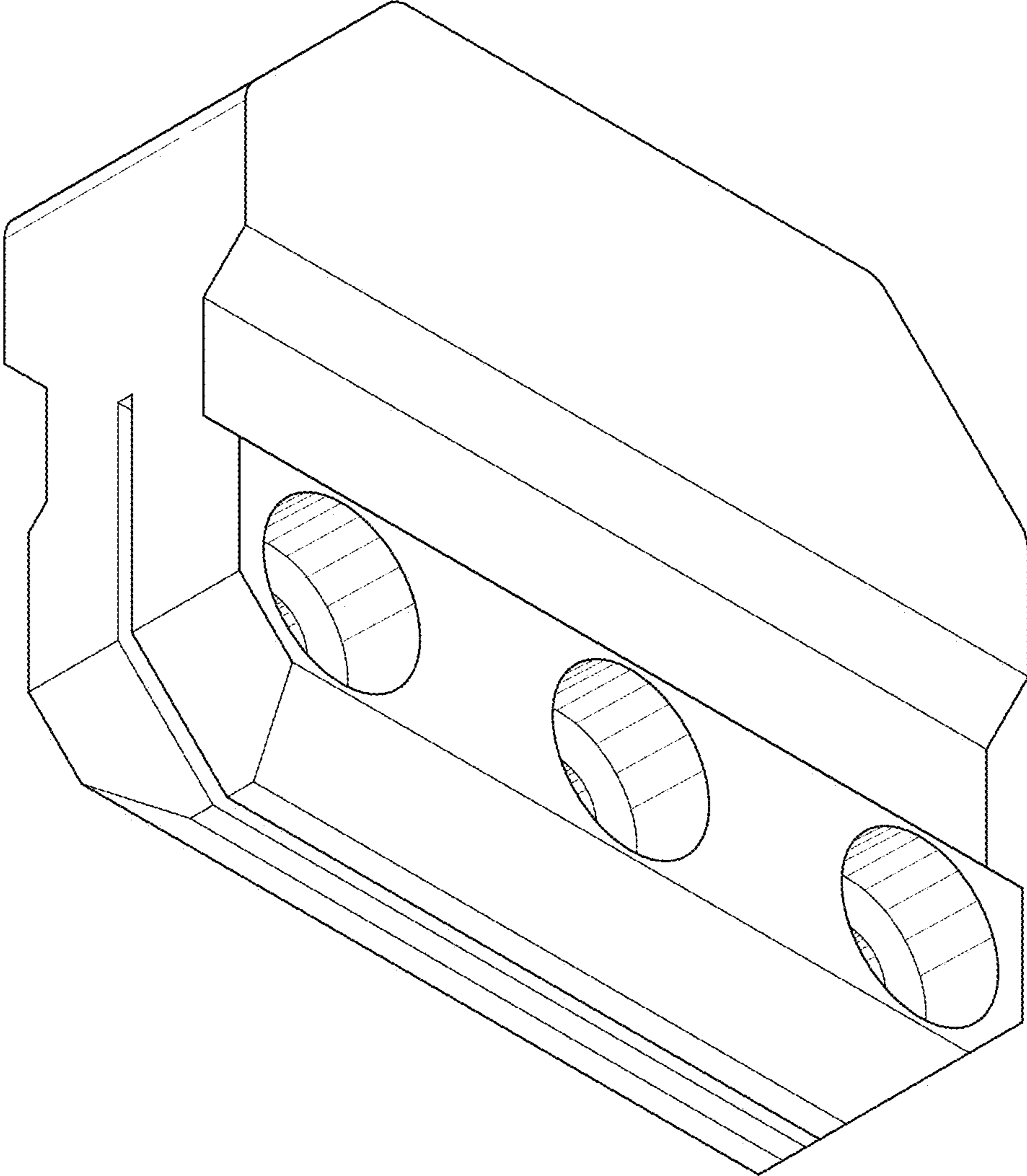


FIGURE 10