



US00D973455S

(12) **United States Design Patent**
Pieper et al.

(10) **Patent No.:** **US D973,455 S**

(45) **Date of Patent:** **** Dec. 27, 2022**

- (54) **SHOVEL**
- (71) Applicant: **DMOS Collective, Inc.**, Alpine, WY (US)
- (72) Inventors: **Susan Pieper**, Alpine, WY (US); **James Barlow**, Wilson, WY (US)
- (73) Assignee: **DMOS Collective, Inc.**, Salt Lake City, UT (US)
- (**) Term: **15 Years**

- 5,507,051 A * 4/1996 Mazon A01B 1/022
7/104
- 5,522,629 A 6/1996 Loo
- 5,533,768 A 7/1996 Mitchell
- D395,211 S * 6/1998 Linden D8/10
- 5,795,000 A 8/1998 Aldorasi
- 6,290,273 B1 9/2001 Moisan
- D487,680 S 3/2004 Sickler et al.
- 6,948,208 B1 * 9/2005 Schlenner B26B 29/025
294/51
- 7,156,435 B1 1/2007 Mourelatos et al.
- D568,121 S 5/2008 Meyer
- 7,571,945 B2 8/2009 Walker et al.

(Continued)

(21) Appl. No.: **29/770,701**

FOREIGN PATENT DOCUMENTS

- (22) Filed: **Feb. 16, 2021**
- (51) **LOC (13) Cl.** **08-01**
- (52) **U.S. Cl.**
USPC **D8/10**
- (58) **Field of Classification Search**
USPC D8/9, 10; D21/532
CPC A01B 1/02; A01B 1/022; A01B 1/024;
A01B 1/028; A01B 1/04; A01B 1/222;
A01B 1/225; A01B 1/227
See application file for complete search history.

- CA 2380525 8/2005
- CN 304856008 * 10/2018

(Continued)

Primary Examiner — Sheryl Lane
Assistant Examiner — Ieisha N Price
 (74) *Attorney, Agent, or Firm* — Schneider IP Law LLC;
 Laura Schneider

(56) **References Cited**

(57) **CLAIM**

The ornamental design for a shovel, as shown and described.

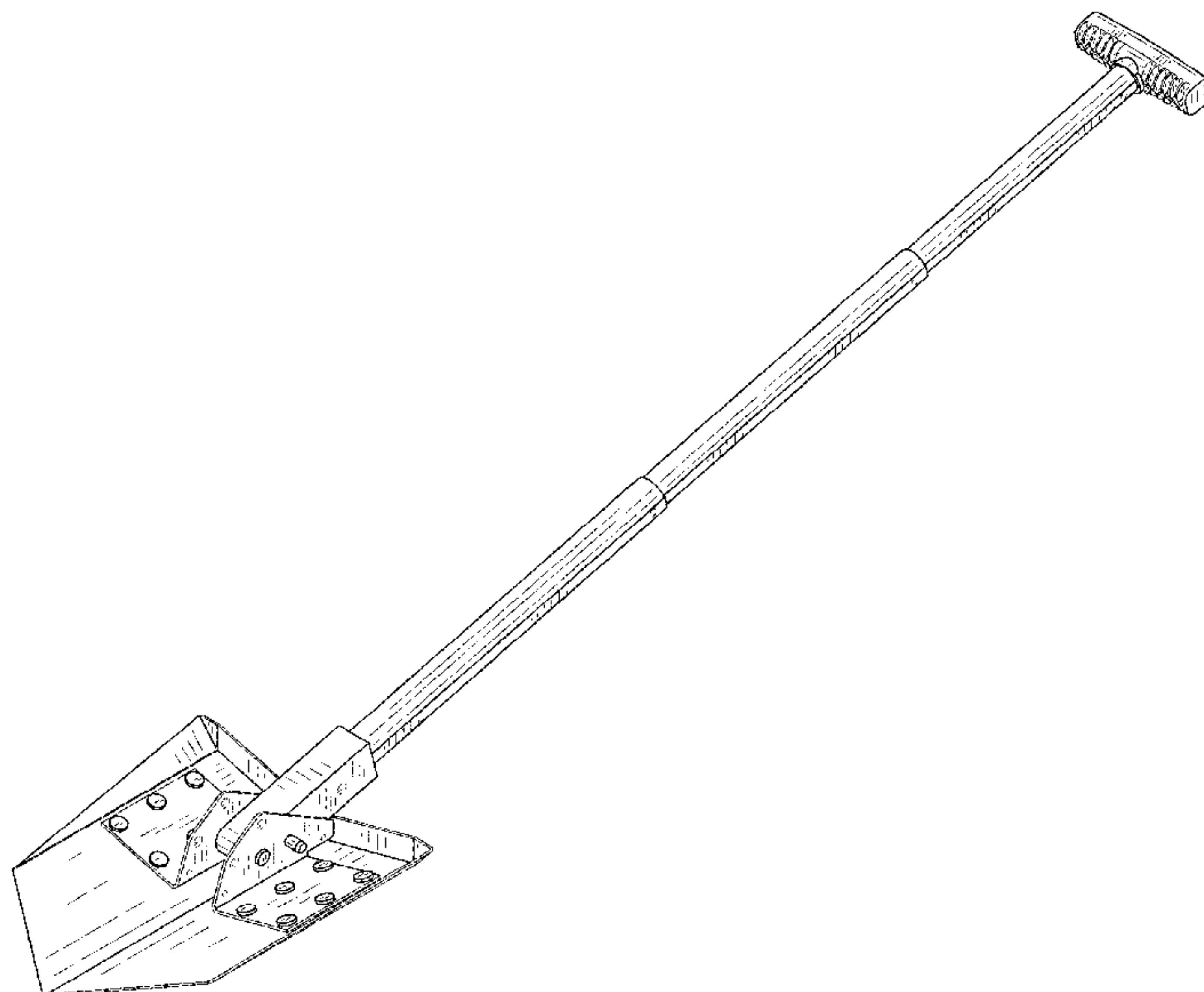
U.S. PATENT DOCUMENTS

DESCRIPTION

- 1,202,791 A 10/1916 Brownstein
- 2,047,485 A 7/1936 McBrady
- 2,830,307 A * 4/1958 Worden A01B 1/022
294/51
- 2,833,585 A * 5/1958 Nischan A01B 1/022
294/51
- 3,078,604 A 2/1963 Neuman
- 3,401,971 A * 9/1968 Cronquist A01B 1/022
294/53.5
- 3,882,569 A 5/1975 Vanderveer
- D267,468 S 1/1983 Simms
- 4,475,757 A * 10/1984 Glock A01B 1/022
294/51
- D284,733 S * 7/1986 Hozumi D8/10

FIG. 1 is a perspective view of the shovel;
 FIG. 2 is a right side view thereof;
 FIG. 3 is a left side view thereof;
 FIG. 4 is a top view thereof;
 FIG. 5 is a bottom view thereof;
 FIG. 6 is a front view thereof; and,
 FIG. 7 is a back view thereof.
 The broken lines in the drawings illustrate portions of the shovel and form no part of the claimed design.

1 Claim, 7 Drawing Sheets



(56)

References Cited

U.S. PATENT DOCUMENTS

D699,086 S * 2/2014 Christopher D8/10
9,285,076 B2 * 3/2016 Paolucci E04H 12/2215
9,439,337 B1 * 9/2016 Padden A01B 1/022
9,732,488 B2 8/2017 Pieper-Bailey et al.
D800,520 S 10/2017 Pieper-Bailey et al.
D811,181 S 2/2018 Koehler et al.
D896,044 S * 9/2020 Li D8/10
D947,627 S * 4/2022 Wang D8/10
2007/0085359 A1 4/2007 Schouten
2007/0108783 A1 5/2007 Petruzelli
2012/0256432 A1 * 10/2012 Best A01B 1/02
294/49
2015/0284929 A1 10/2015 Behan et al.
2020/0390017 A1 * 12/2020 Liang A01B 1/22

FOREIGN PATENT DOCUMENTS

CN 305320103 * 8/2019
CN 306822250 * 9/2021
KR 300866230.0000 * 7/2016
WO 2018/111899 6/2018

* cited by examiner

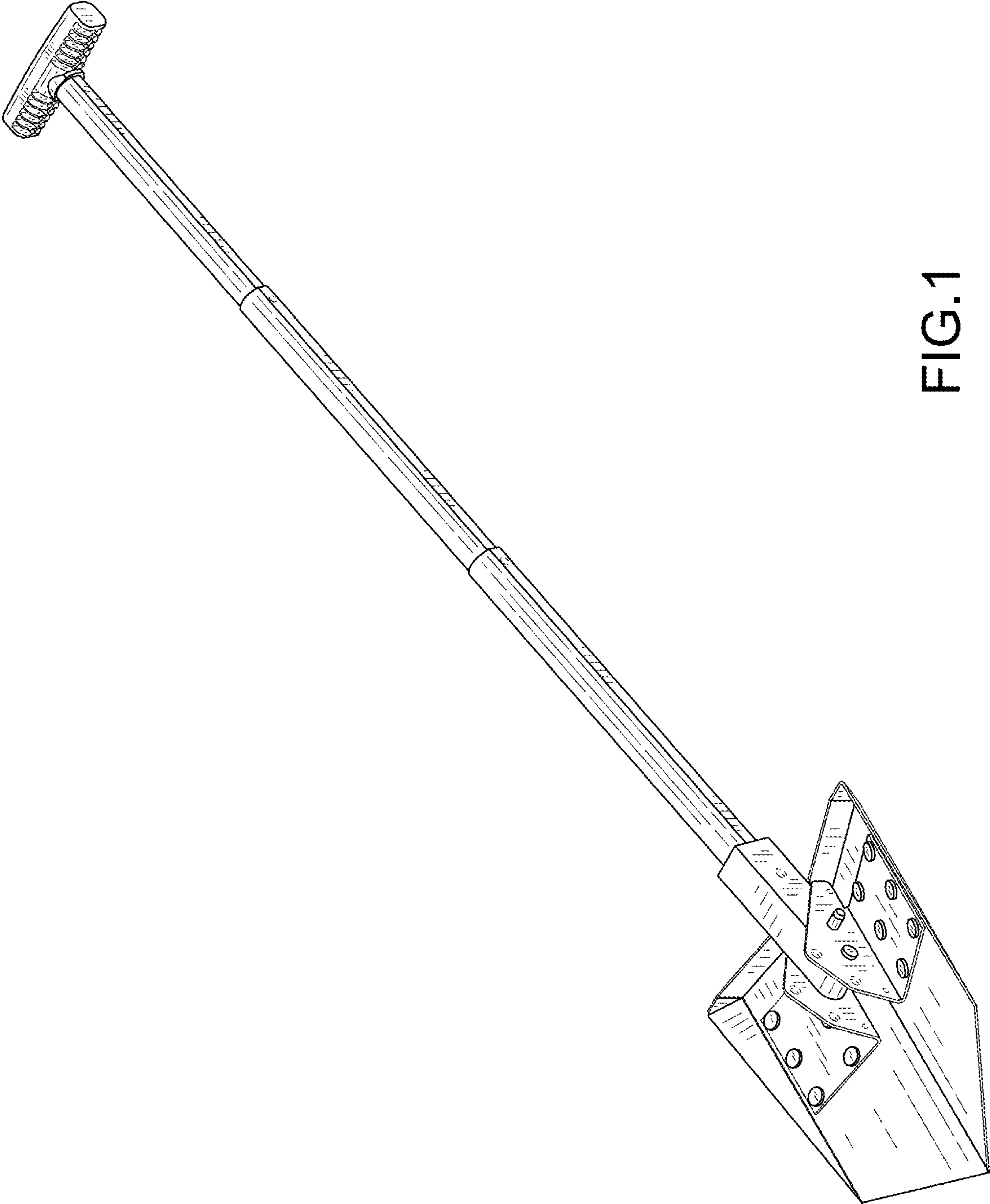


FIG.1

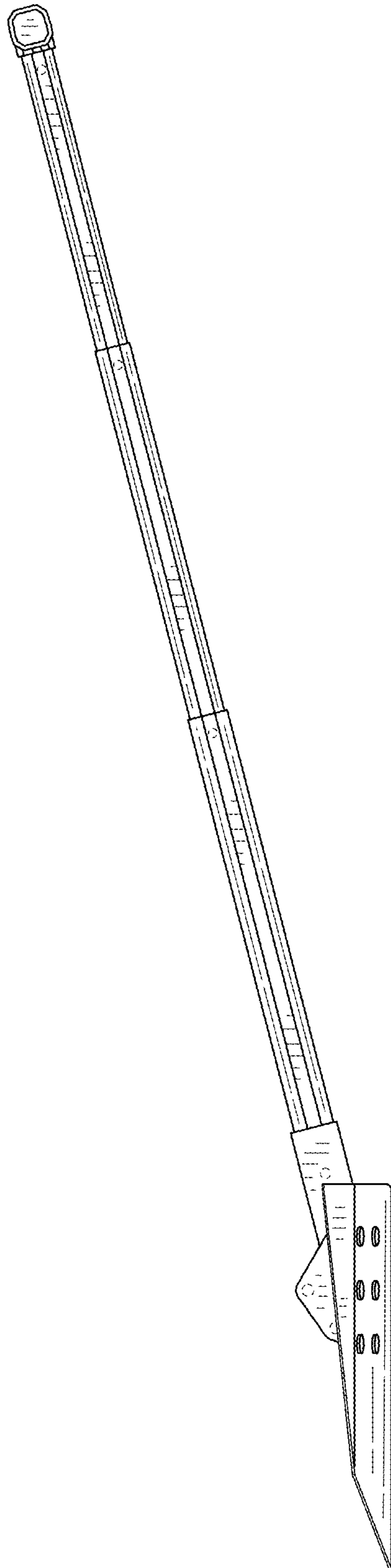


FIG.2

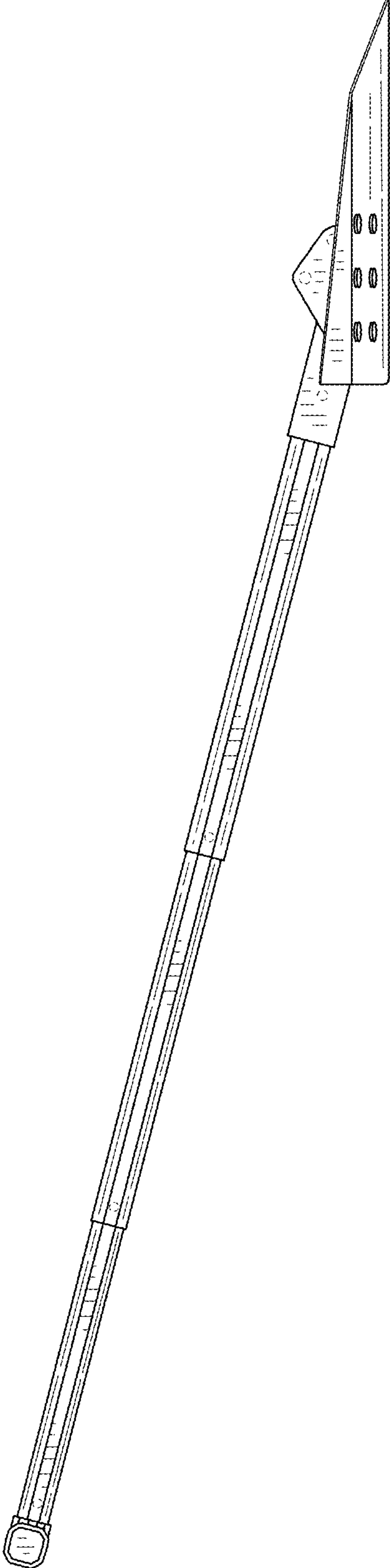


FIG.3

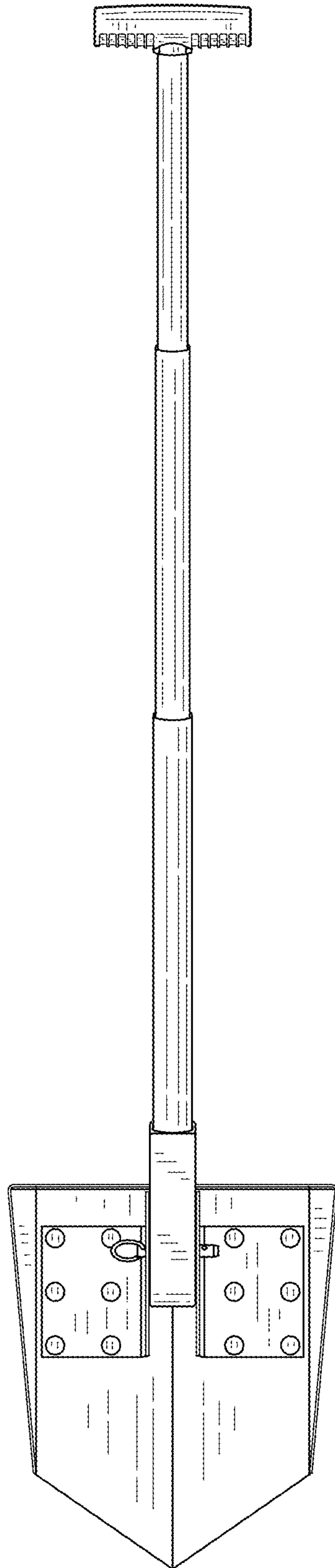


FIG.4

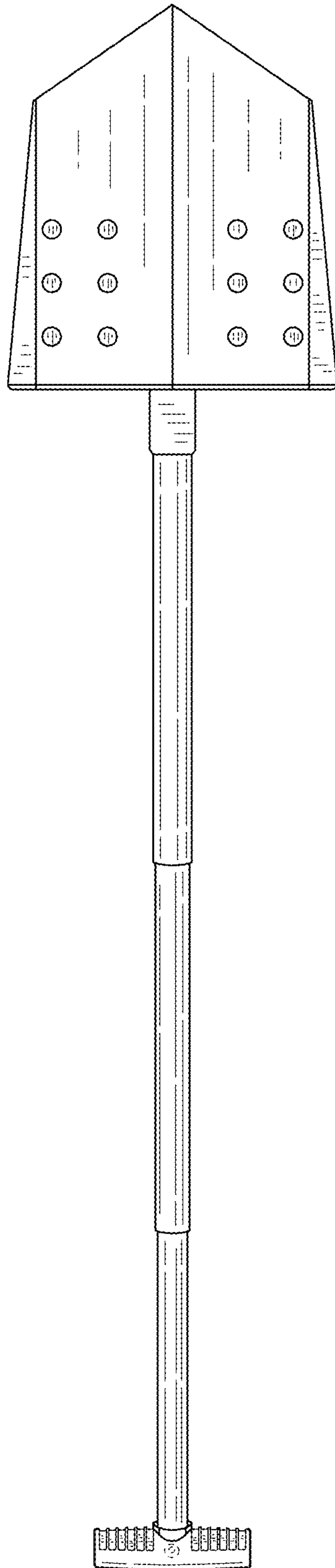


FIG.5

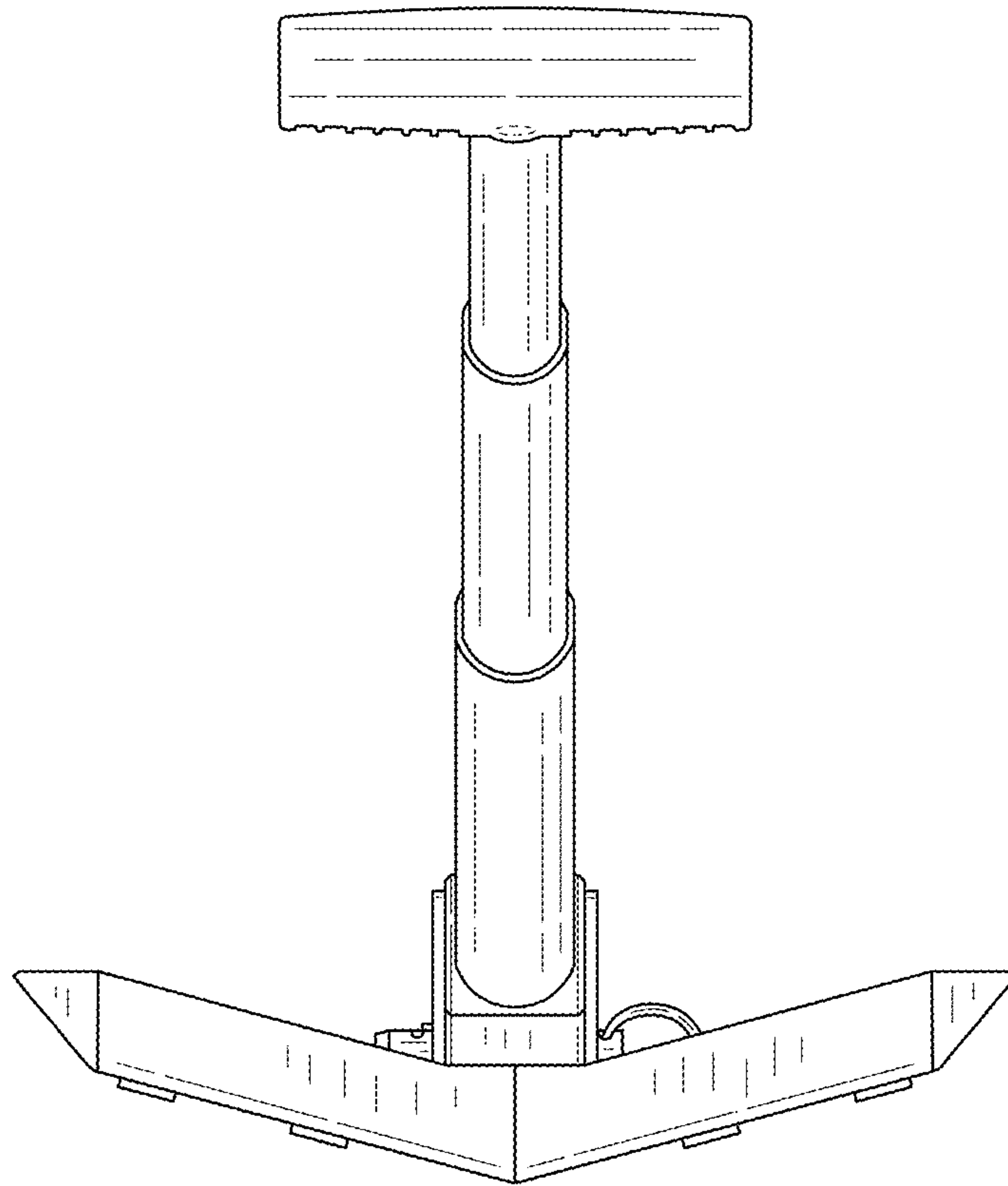


FIG.6

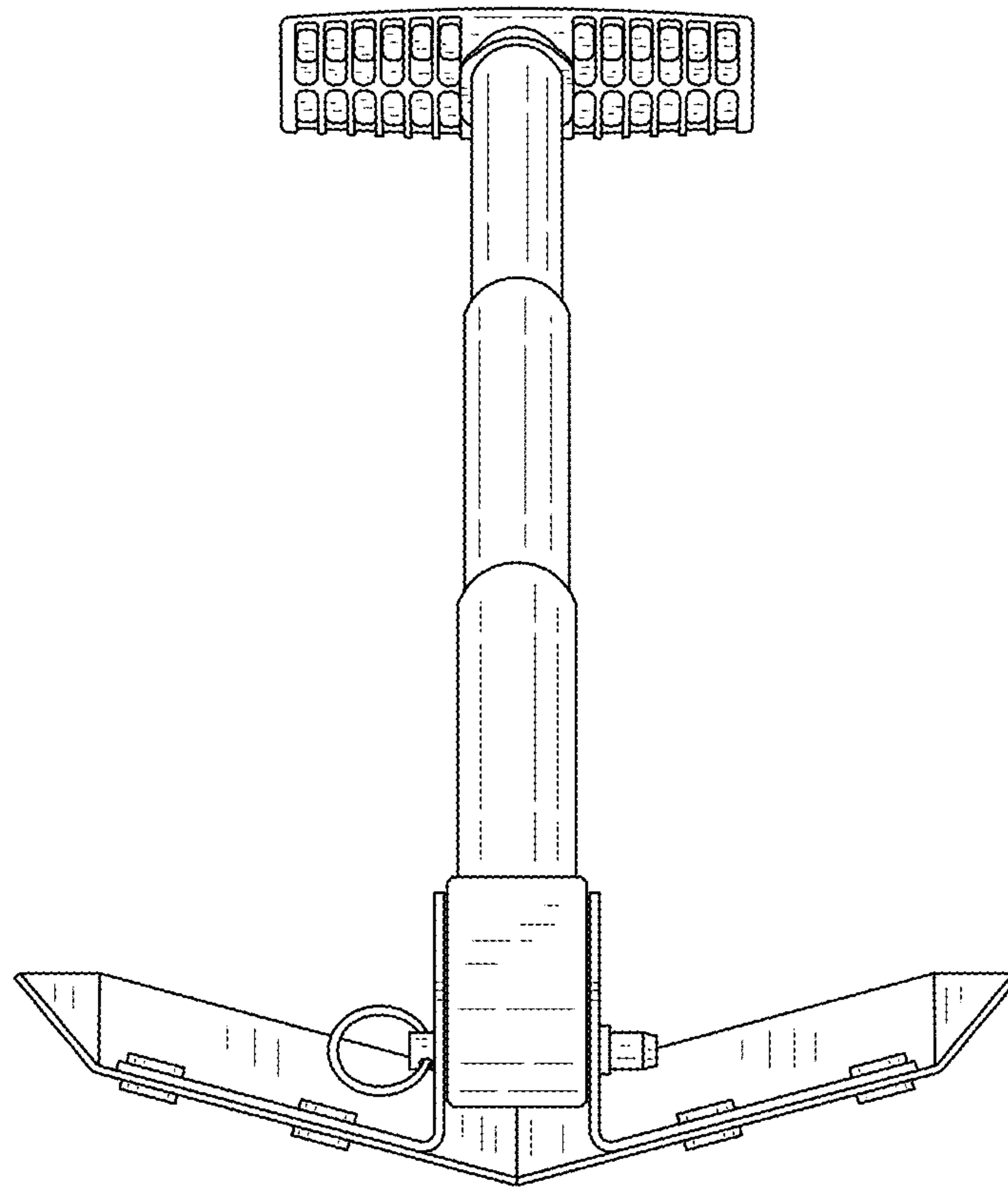


FIG.7