



US00D973454S

(12) **United States Design Patent** (10) **Patent No.:** **US D973,454 S**
Dong (45) **Date of Patent:** **** Dec. 27, 2022**

(54) **LAWN MOWER**
(71) Applicant: **Huajie Dong**, Xiangcheng (CN)
(72) Inventor: **Huajie Dong**, Xiangcheng (CN)
(**) Term: **15 Years**
(21) Appl. No.: **29/842,414**
(22) Filed: **Jun. 13, 2022**
(51) **LOC (13) Cl.** **08-01**
(52) **U.S. Cl.**
USPC **D8/8**
(58) **Field of Classification Search**
USPC D8/1, 7, 8, 9; D15/14, 17; 30/276, 347;
56/12.7
CPC .. A01D 34/416; A01D 34/4166; A01D 34/84;
A01D 34/01; A01D 34/90; A01D 34/412;
A01D 34/015; A01D 34/4165; A01D
34/4167; A01G 3/062; A01G 3/067;
A01G 3/053; A01G 3/0535; B65H
270/354
See application file for complete search history.

D646,698 S 10/2011 Park
D646,937 S * 10/2011 Stratford D8/8
D653,090 S * 1/2012 Stratford D8/8
D656,371 S * 3/2012 Sweeney D8/8
D663,594 S * 7/2012 Yamamoto D8/8
D716,620 S * 11/2014 Baxter D8/8
D716,621 S * 11/2014 Tate D8/8
D753,969 S * 4/2016 Jiang D8/8
D798,679 S * 10/2017 Tinius D8/8
D830,798 S * 10/2018 Tinius D8/8

* cited by examiner

Primary Examiner — Mark A Goodwin
(74) *Attorney, Agent, or Firm* — Jeenam Park

(57) **CLAIM**

The ornamental design for a lawn mower, as shown and described.

DESCRIPTION

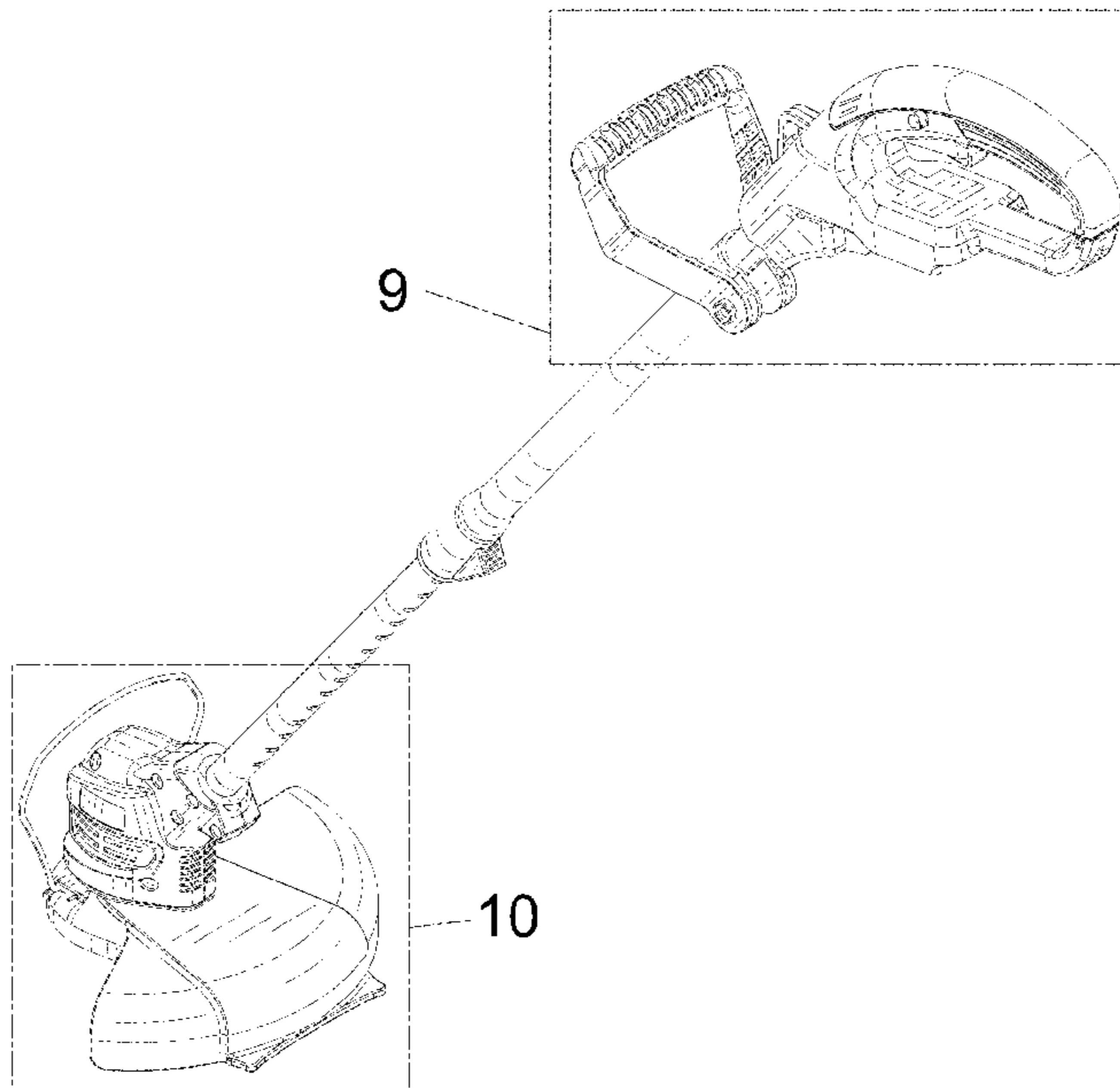
FIG. 1 is a perspective view of a lawn mower, showing my new design;
FIG. 2 is another perspective view thereof;
FIG. 3 is a front view thereof;
FIG. 4 is a rear view thereof;
FIG. 5 is a left side view thereof;
FIG. 6 is a right side view thereof;
FIG. 7 is a top plan view thereof;
FIG. 8 is a bottom plan thereof;
FIG. 9 is an enlarged view of portion of FIG. 1;
FIG. 10 is another enlarged view of portion of FIG. 1;
FIG. 11 is an enlarged view of portion of FIG. 2; and,
FIG. 12 is another enlarged view of portion of FIG. 2.
The long dash short dash broken lines illustrated in FIGS. 1, 2, and 9-12 are included for the purpose of indicating the boundary in which the enlarged views are shown, the broken lines form no part of the claimed design.

(56) **References Cited**

U.S. PATENT DOCUMENTS

D320,398 S * 10/1991 Clivio D8/8
D343,554 S * 1/1994 Watanabe D8/8
D380,129 S * 6/1997 Meisner D8/8
D382,450 S * 8/1997 Meisner D8/8
5,867,911 A * 2/1999 Yates B25F 5/026
30/296.1
D450,226 S * 11/2001 Martin D8/8
D456,675 S * 5/2002 Jong D8/8
D508,924 S 8/2005 Henssler et al.
D510,512 S * 10/2005 Robson D8/8
D530,163 S * 10/2006 Xue-Feng D8/8
D566,491 S * 4/2008 Martin D8/8
D580,719 S * 11/2008 Baxter D8/8

1 Claim, 12 Drawing Sheets



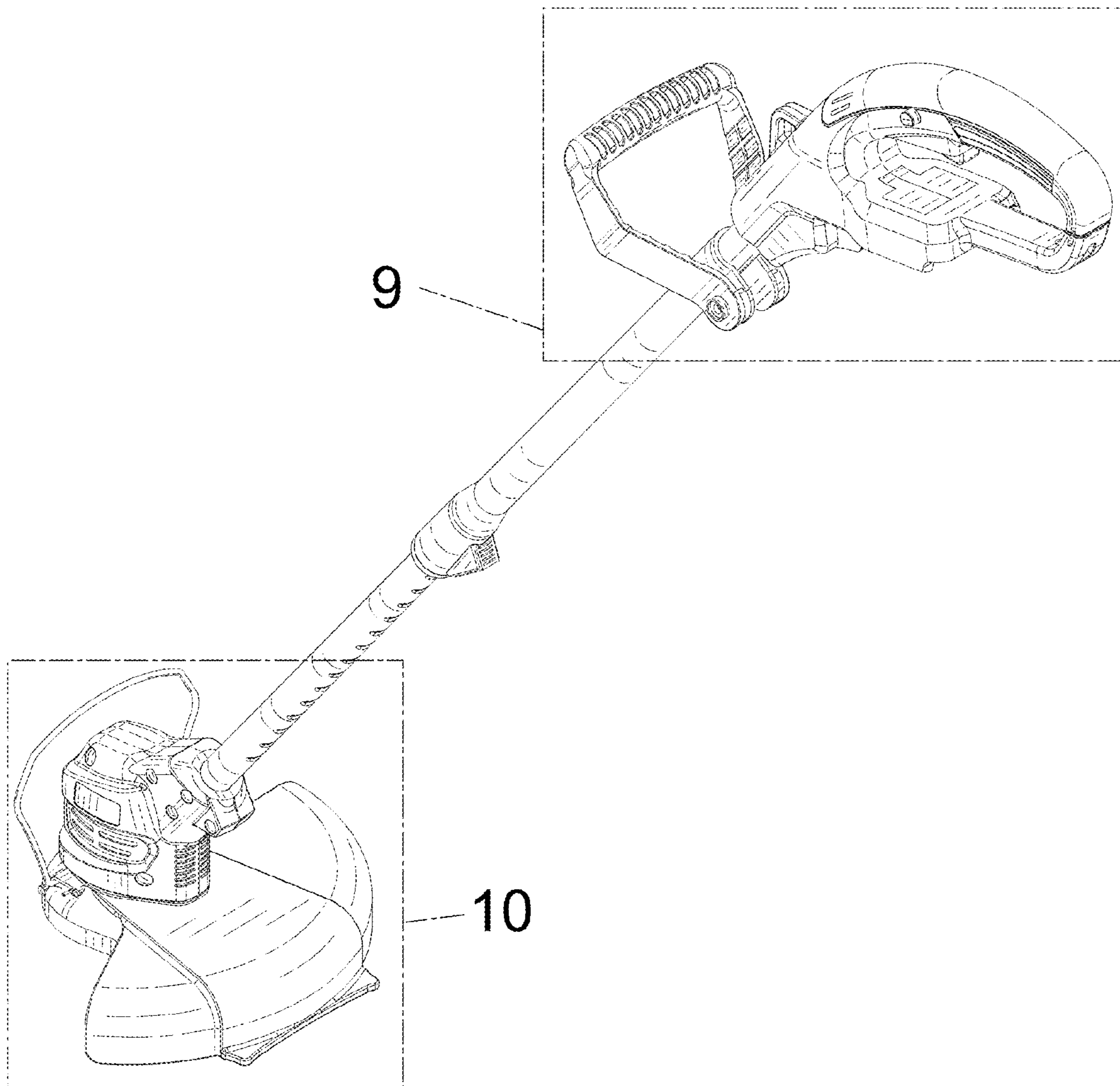


FIG. 1

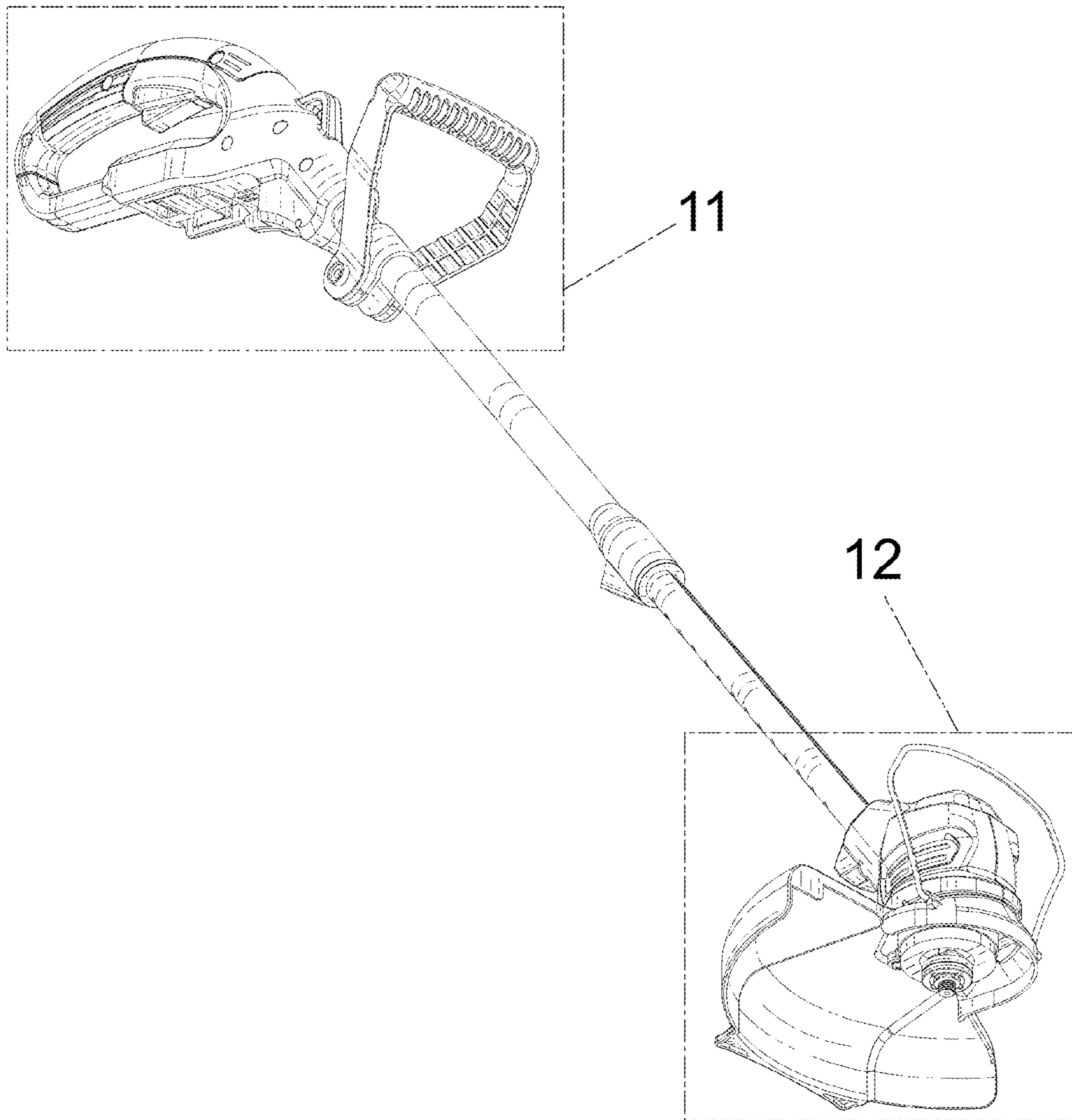


FIG. 2

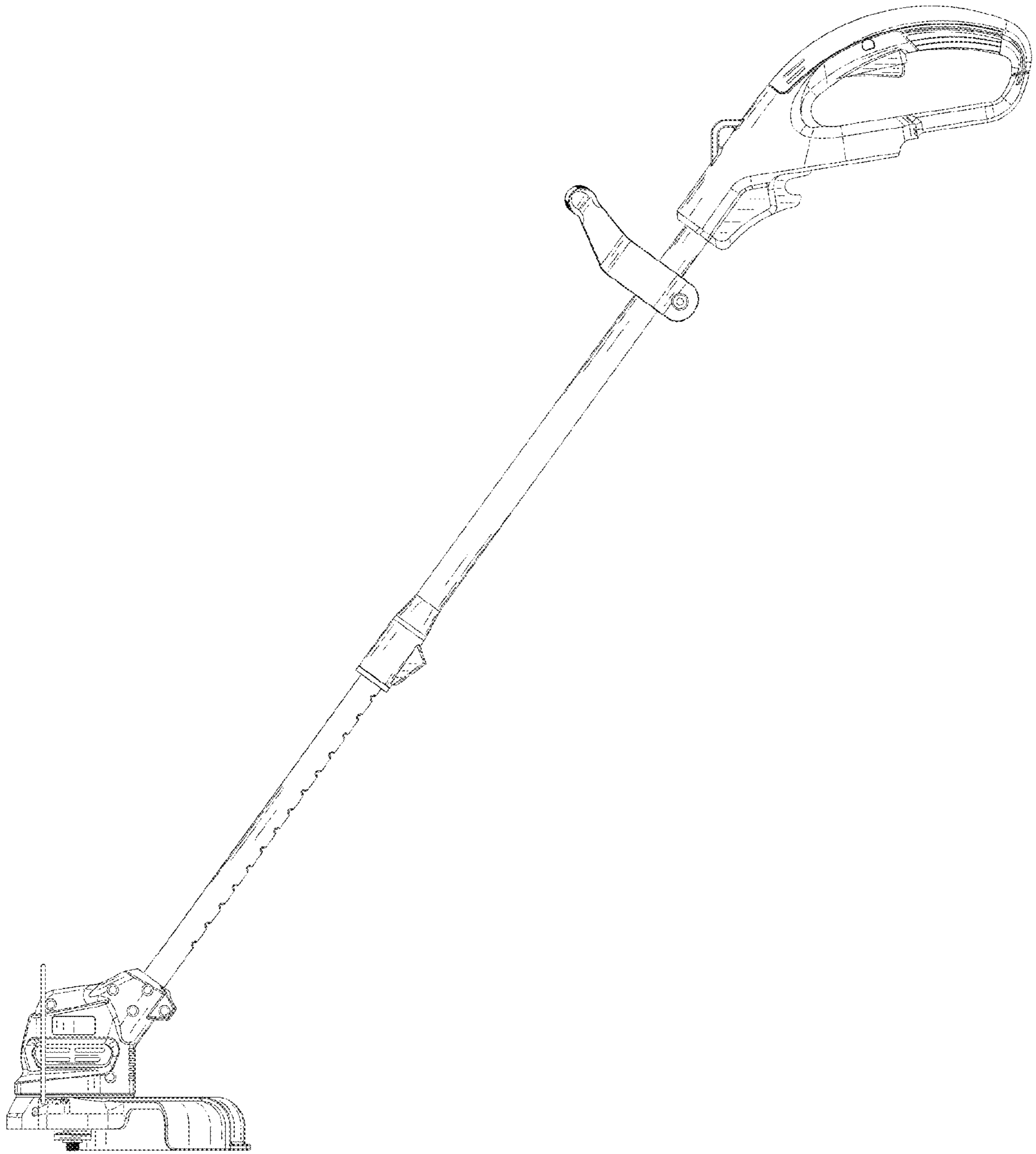


FIG. 3

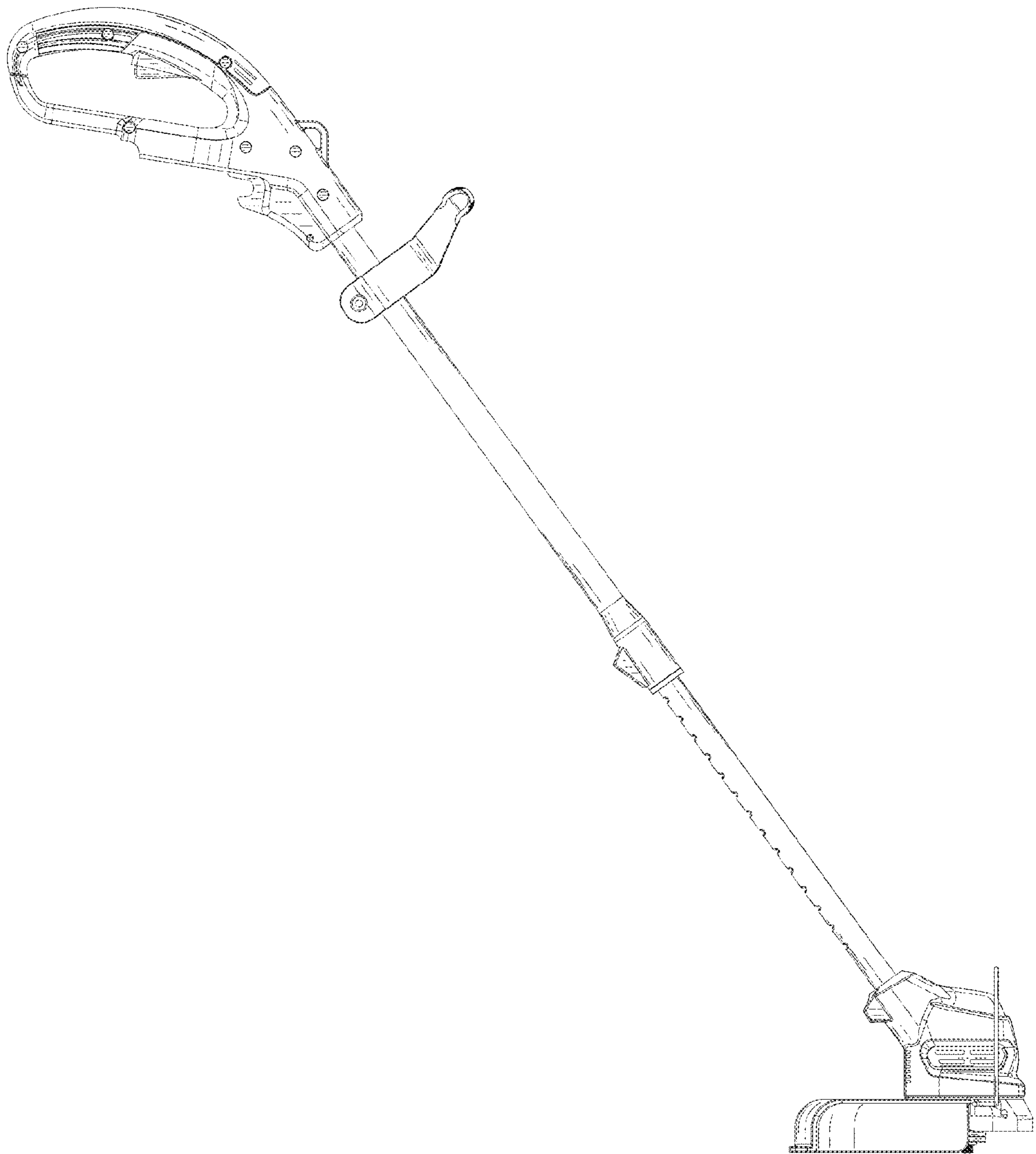


FIG. 4

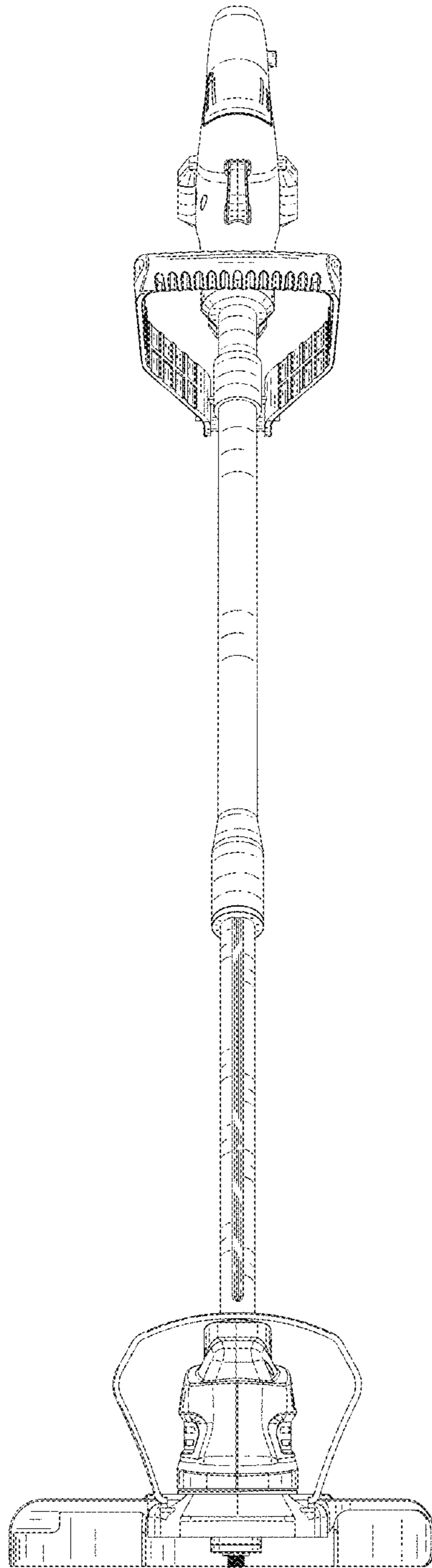


FIG. 5

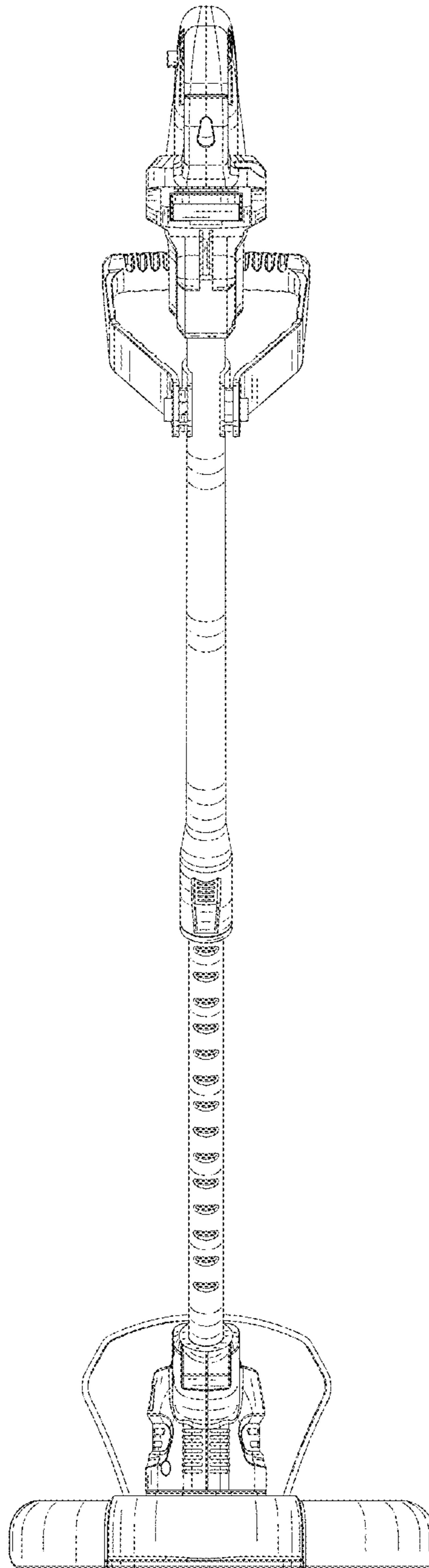


FIG. 6

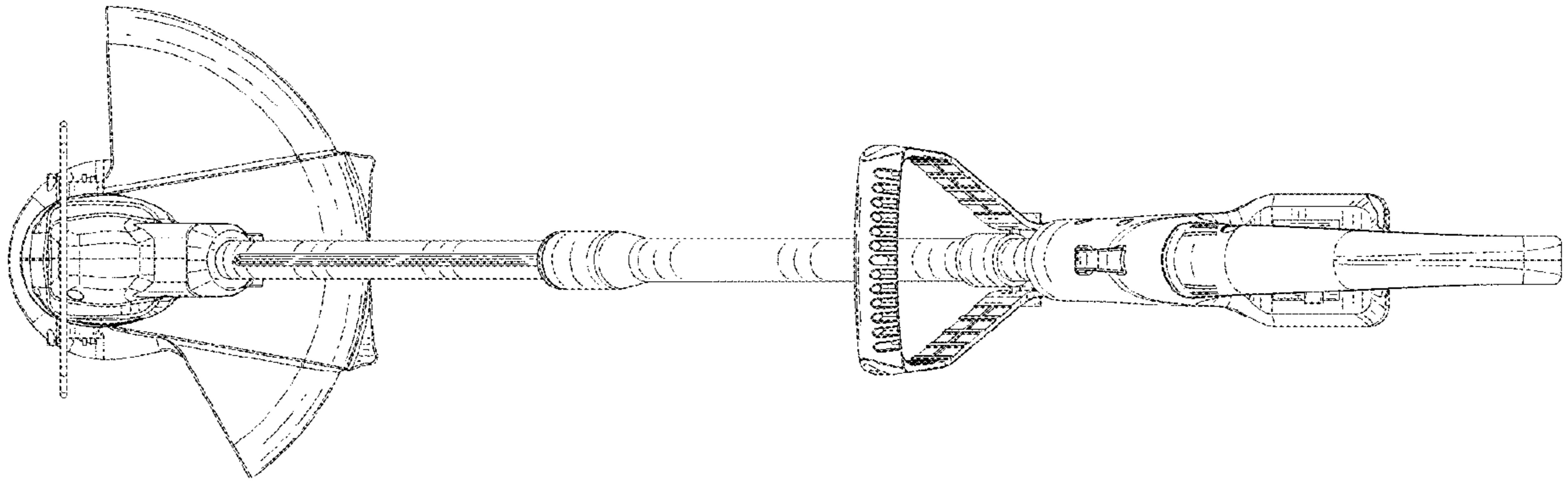


FIG. 7

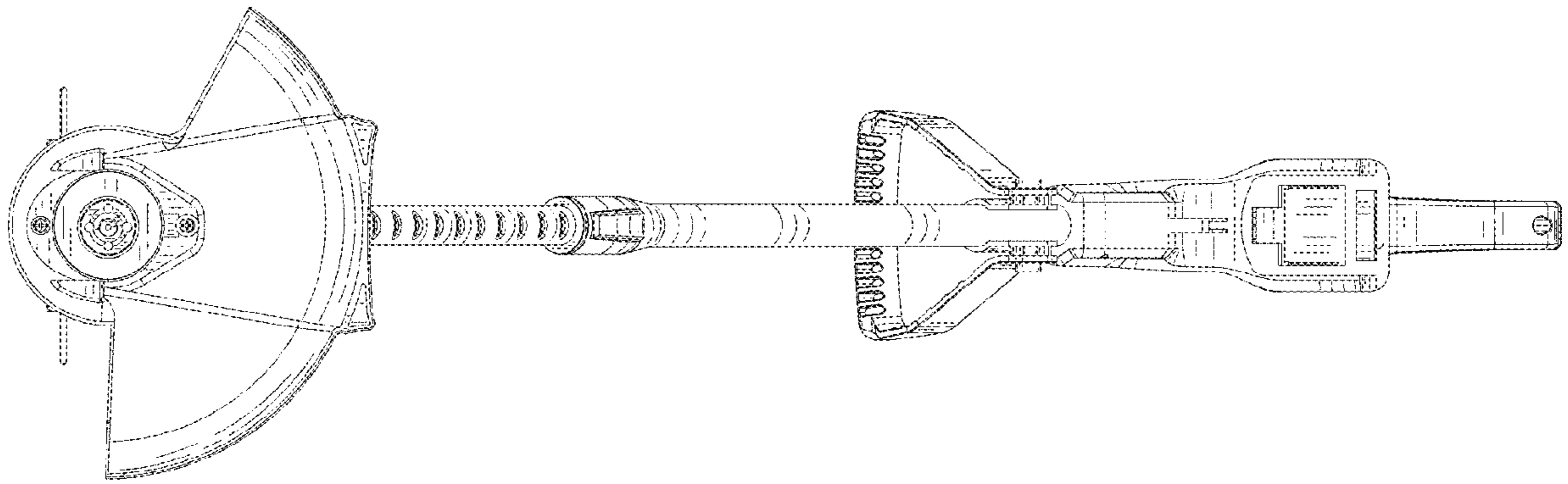


FIG. 8

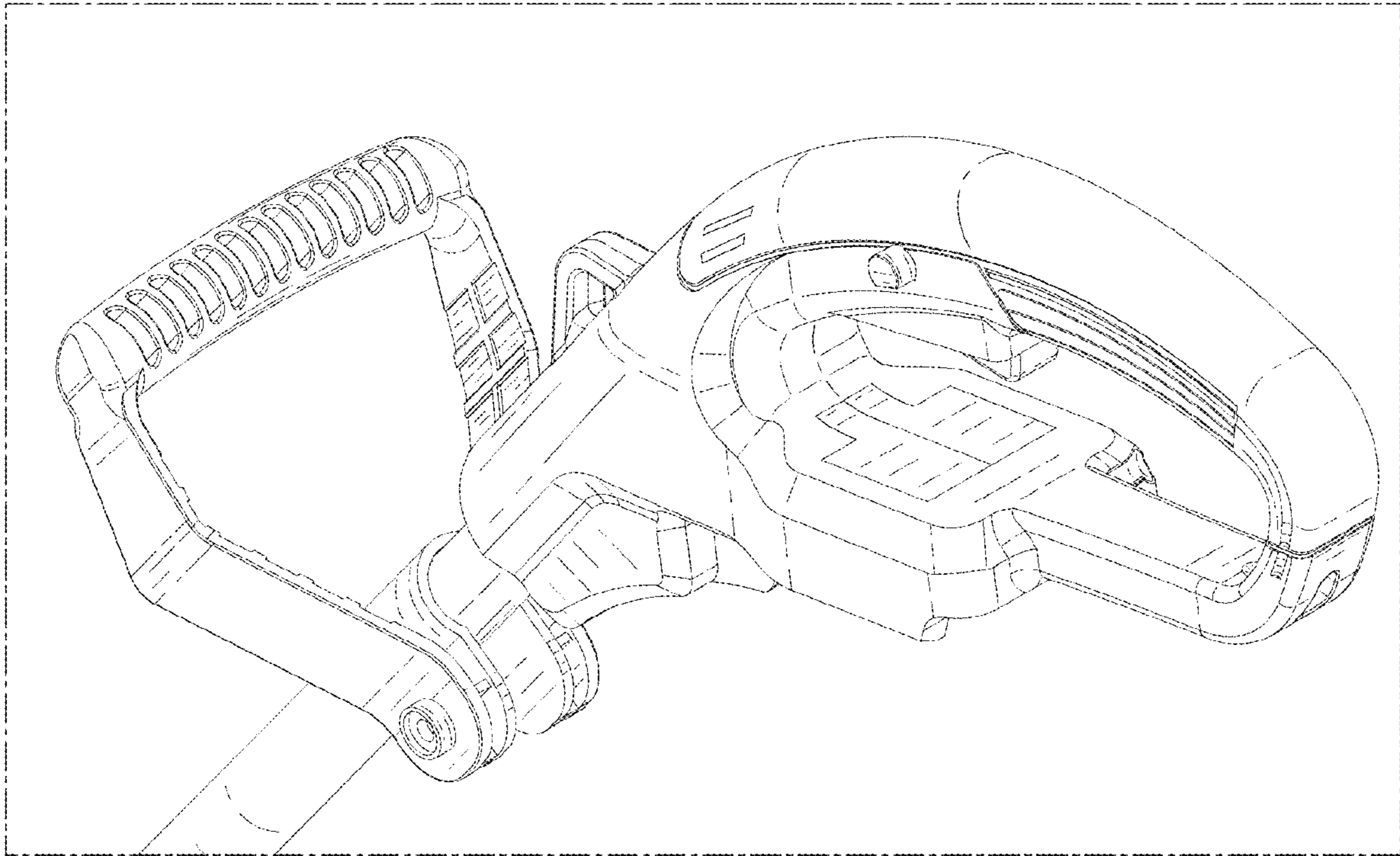


FIG. 9

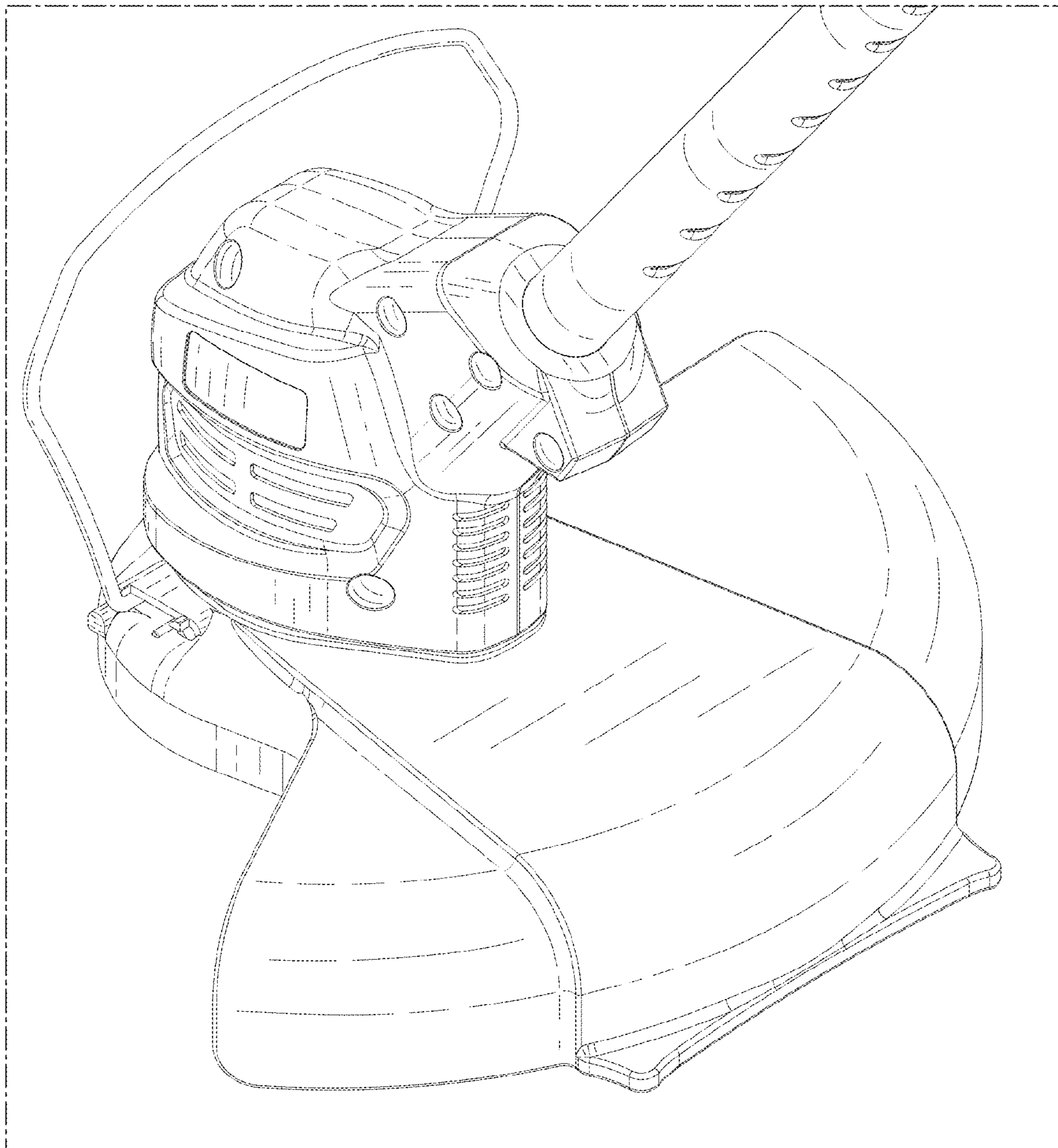


FIG. 10

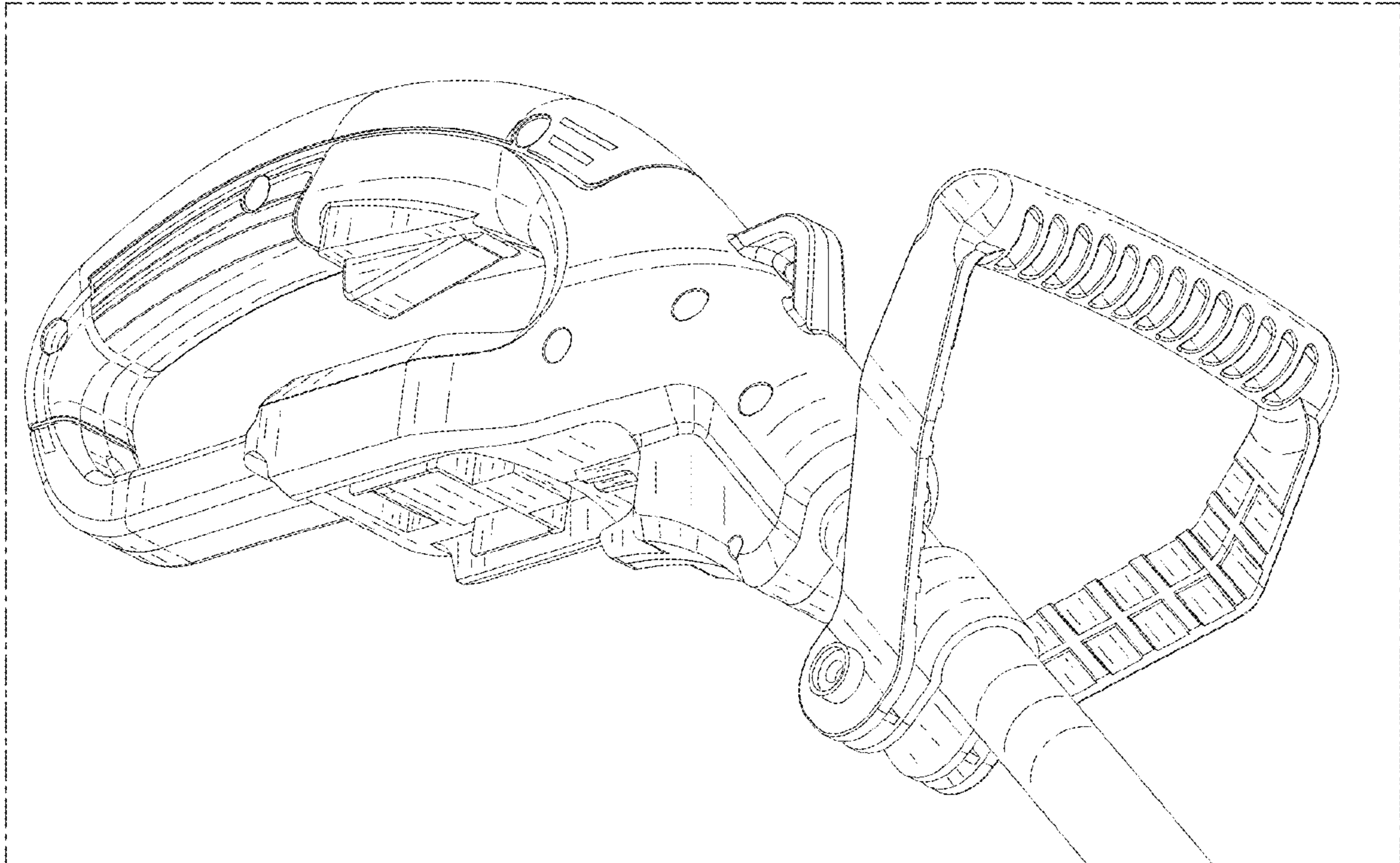


FIG. 11

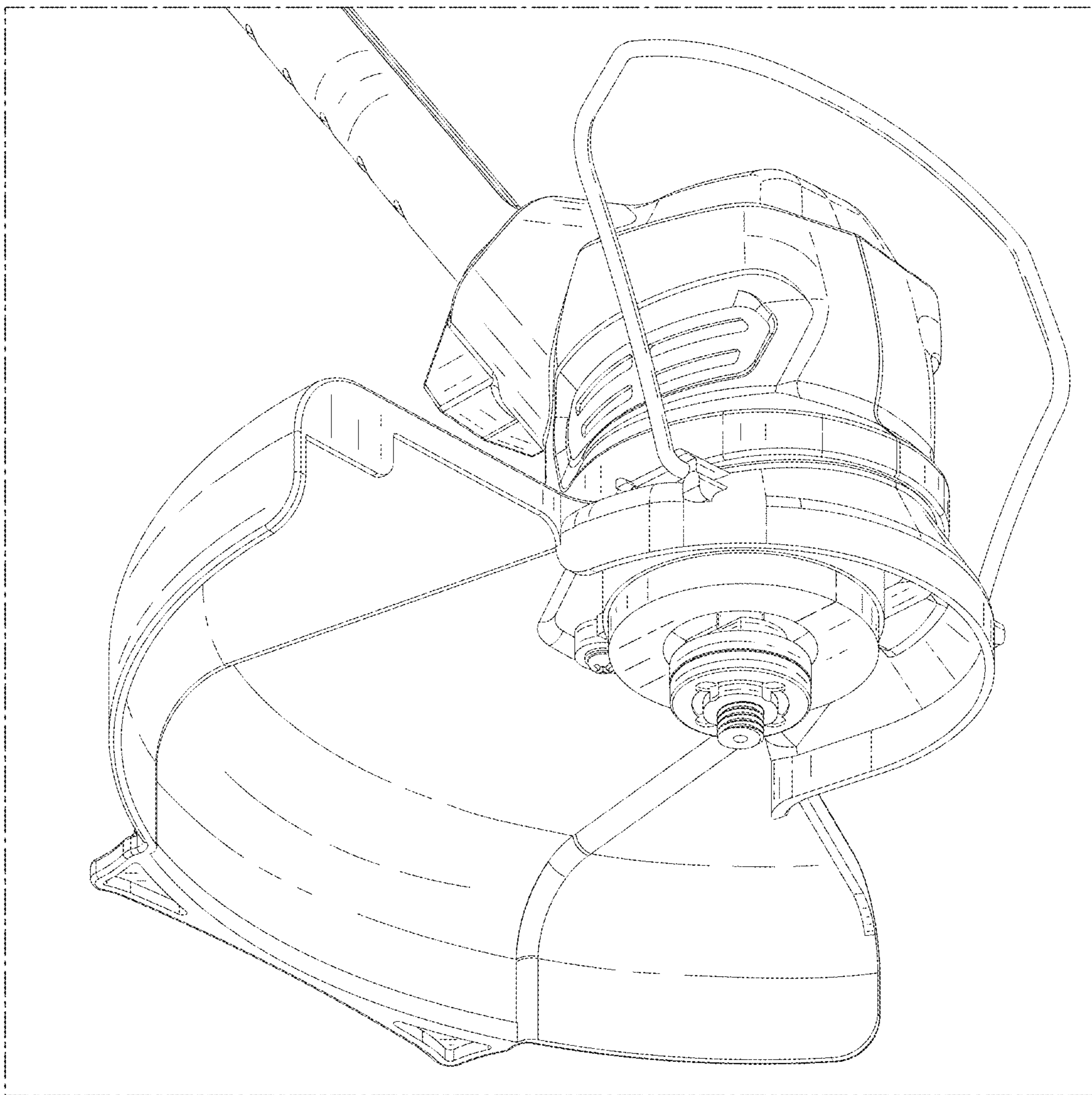


FIG. 12