



US00D973453S

(12) **United States Design Patent** (10) **Patent No.:** **US D973,453 S**
Guo (45) **Date of Patent:** **** Dec. 27, 2022**

(54) **APPLE CUTTER BASE**

FOREIGN PATENT DOCUMENTS

(71) Applicant: **Shenzhen Niunisi Technology Co., Ltd.**, Shenzhen (CN)

CN 303295246 * 1/2015

(72) Inventor: **Mianchao Guo**, Jieyang (CN)

OTHER PUBLICATIONS

(**) Term: **15 Years**

Newness, Apple Slicer Corer, 2018, Amazon, <https://www.amazon.com/Newness-Stainless-Steel-Serrated-Ergonomic/dp/B074KGD2TC> (Year: 2018).*

(21) Appl. No.: **29/817,218**

Progressive International, Prepworks Apple Slicer, 2013, Amazon, <https://www.amazon.com/Prepworks-Progressive-16-Slice-Apple-Slicer/dp/B00EZQO9Q> (Year: 2013).*

(22) Filed: **Nov. 30, 2021**

(51) **LOC (13) Cl.** **07-04**

* cited by examiner

(52) **U.S. Cl.**

USPC **D7/673**; D7/693

Primary Examiner — Brett Miller

(58) **Field of Classification Search**

USPC D7/672–677, 693–696, 412, 381

CPC A21C 11/106; A47J 43/20; A47J 25/00;

B26D 1/553; B26D 3/26

See application file for complete search history.

(57) **CLAIM**

The ornamental design for an apple cutter base, as shown and described.

(56) **References Cited**

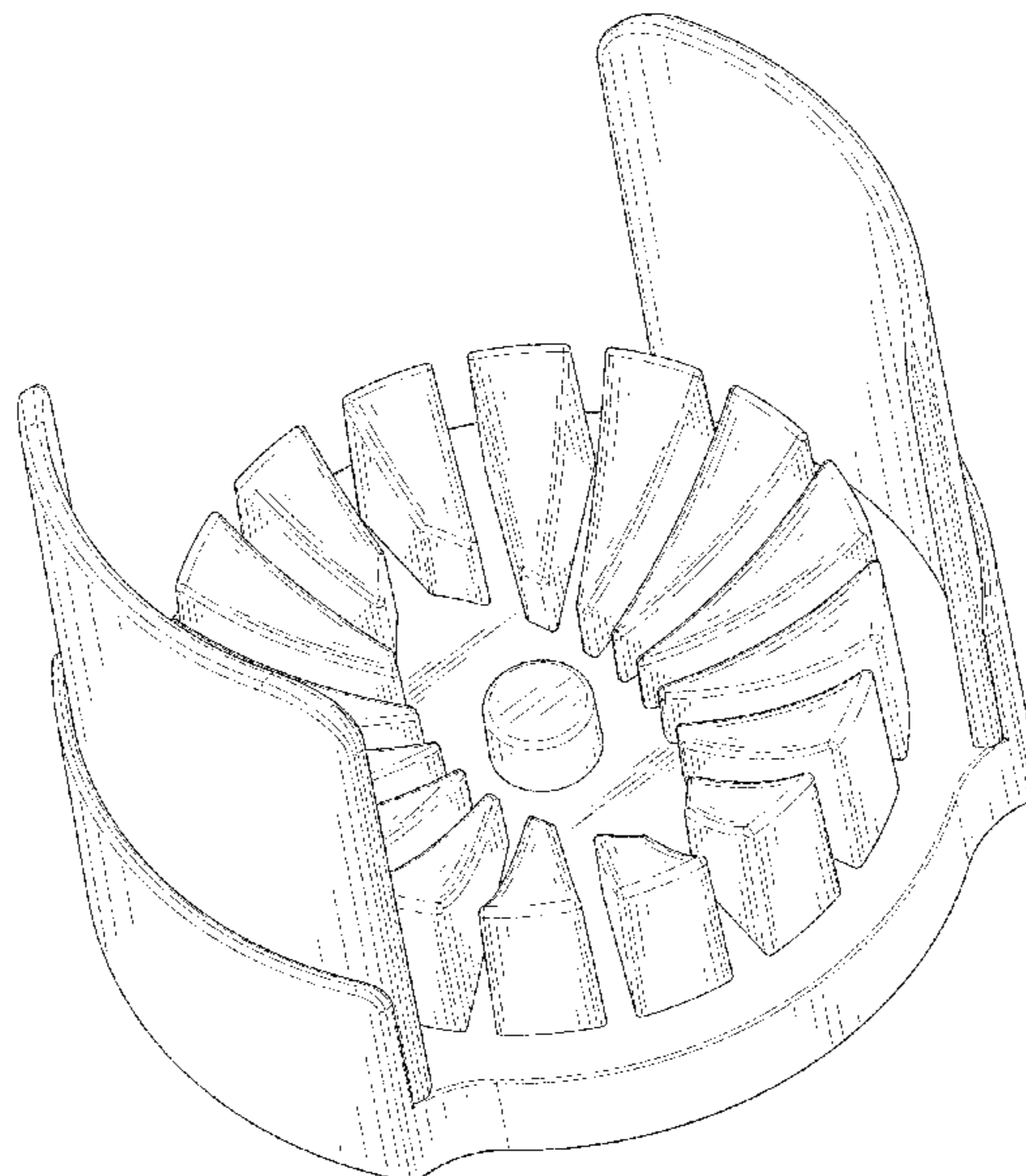
U.S. PATENT DOCUMENTS

D436,504 S *	1/2001	Demers	D7/673
D464,851 S *	10/2002	Dorion	D7/673
D508,637 S *	8/2005	Lee	D7/673
D510,507 S *	10/2005	Lo	D7/673
D573,418 S *	7/2008	Ho	D7/673
D649,413 S *	11/2011	Coursey	D7/673
D675,486 S *	2/2013	Fukai	D7/673
D717,463 S *	11/2014	Wainwright et al.	D7/673
D731,263 S *	6/2015	Zila	D7/672
D758,149 S *	6/2016	Wong	D7/693
D776,496 S *	1/2017	Mirchandani	D7/672
2007/0022611 A1 *	2/2007	Verbiest	A21C 15/04
				30/114
2012/0102760 A1 *	5/2012	Hauser	B26D 3/26
				83/13
2012/0131800 A1 *	5/2012	Hauser	B26D 3/26
				30/279.2
2013/0025130 A1 *	1/2013	Bagley	B26D 1/553
				30/287

DESCRIPTION

FIG. 1 is a front and top perspective view of an apple cutter base, showing my new design;
FIG. 2 is a rear and bottom perspective view thereof;
FIG. 3 is a front elevation view thereof;
FIG. 4 is a rear elevation view thereof;
FIG. 5 is a left side elevation view thereof;
FIG. 6 is a right side elevation view thereof;
FIG. 7 is a top plan view thereof;
FIG. 8 is a bottom plan view thereof; and,
FIG. 9 is an exploded view thereof.
The broken lines in the figures illustrate portions of the apple cutter base that form no part of the claimed design.

1 Claim, 9 Drawing Sheets



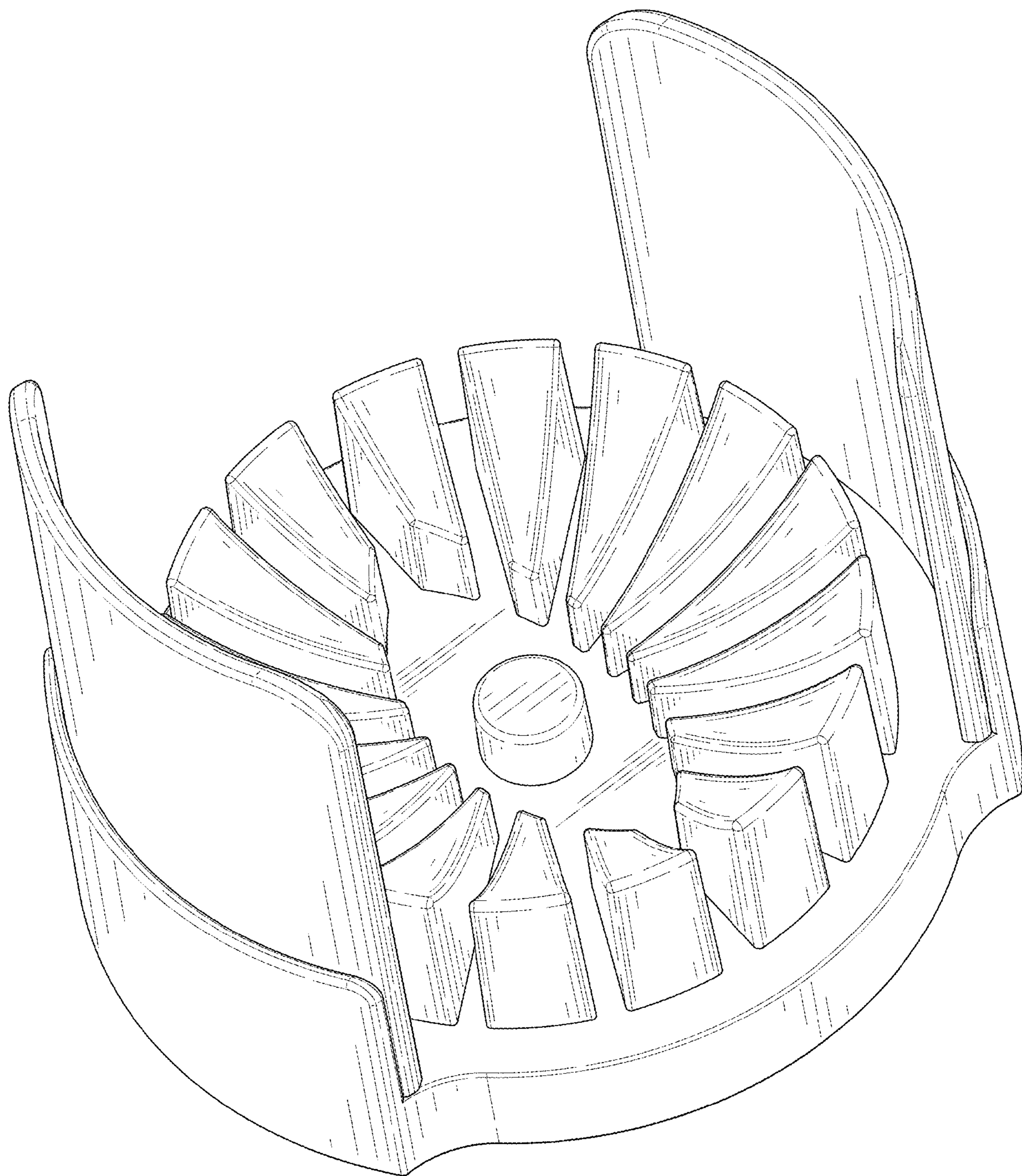


FIG. 1

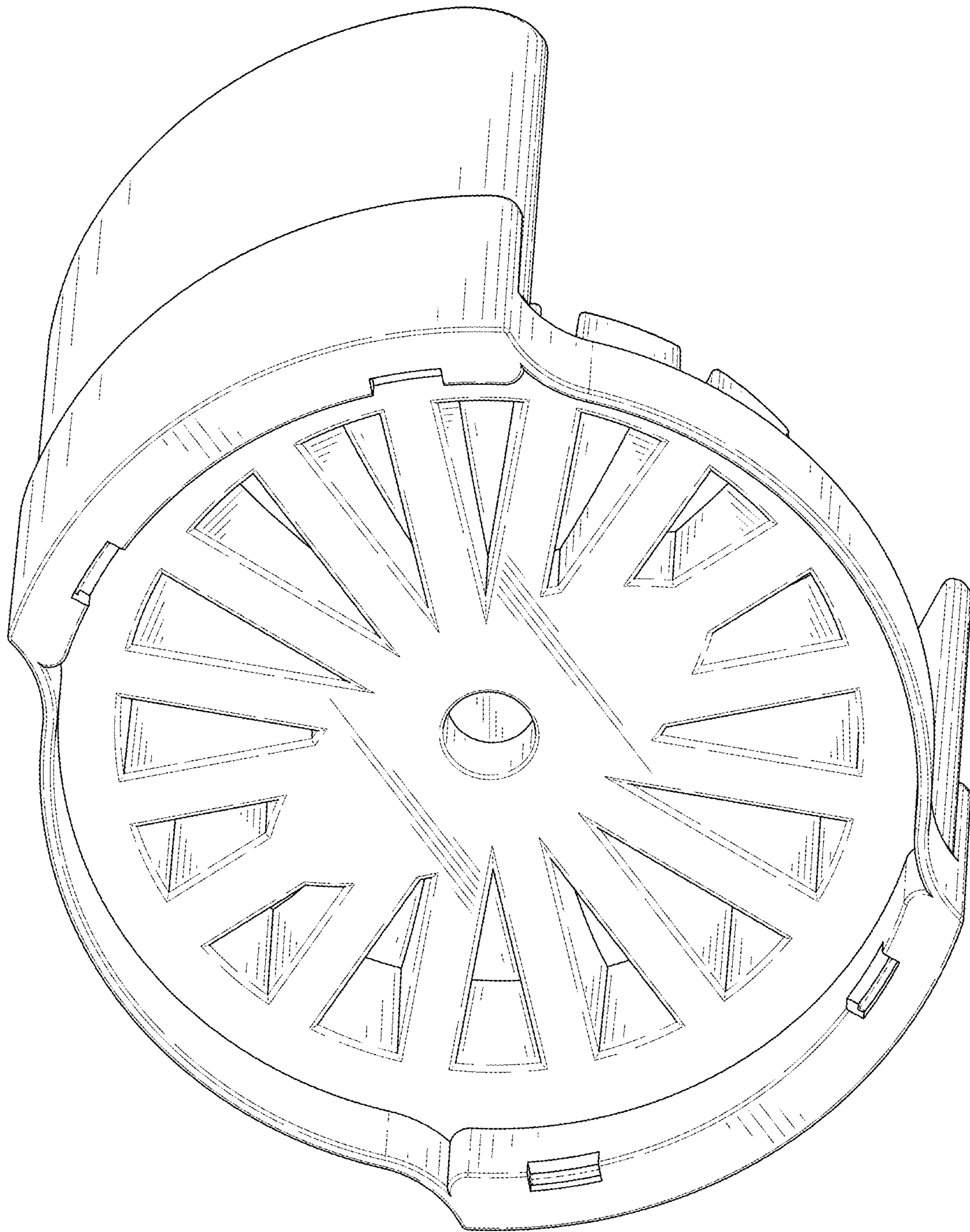


FIG. 2

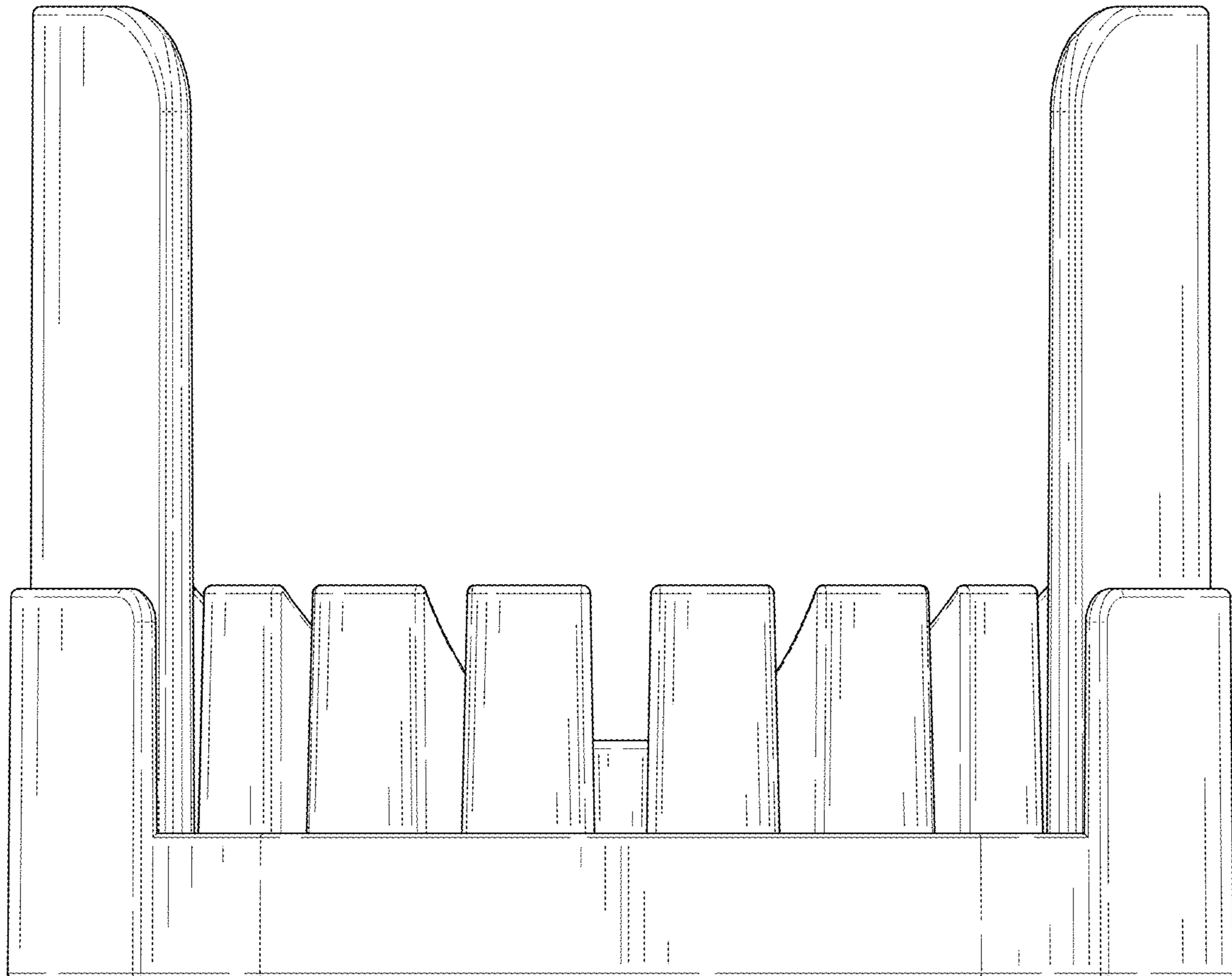


FIG. 3

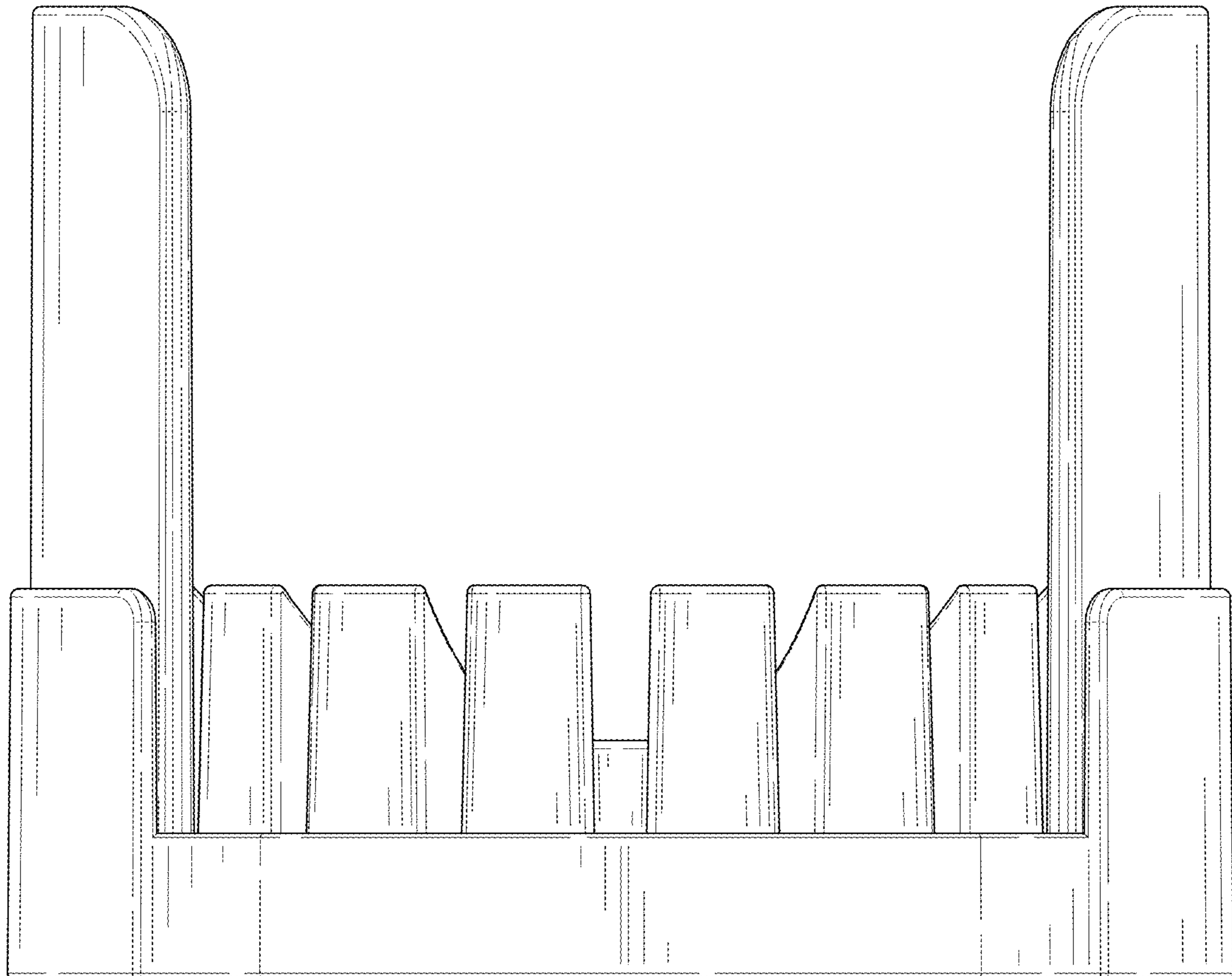


FIG. 4

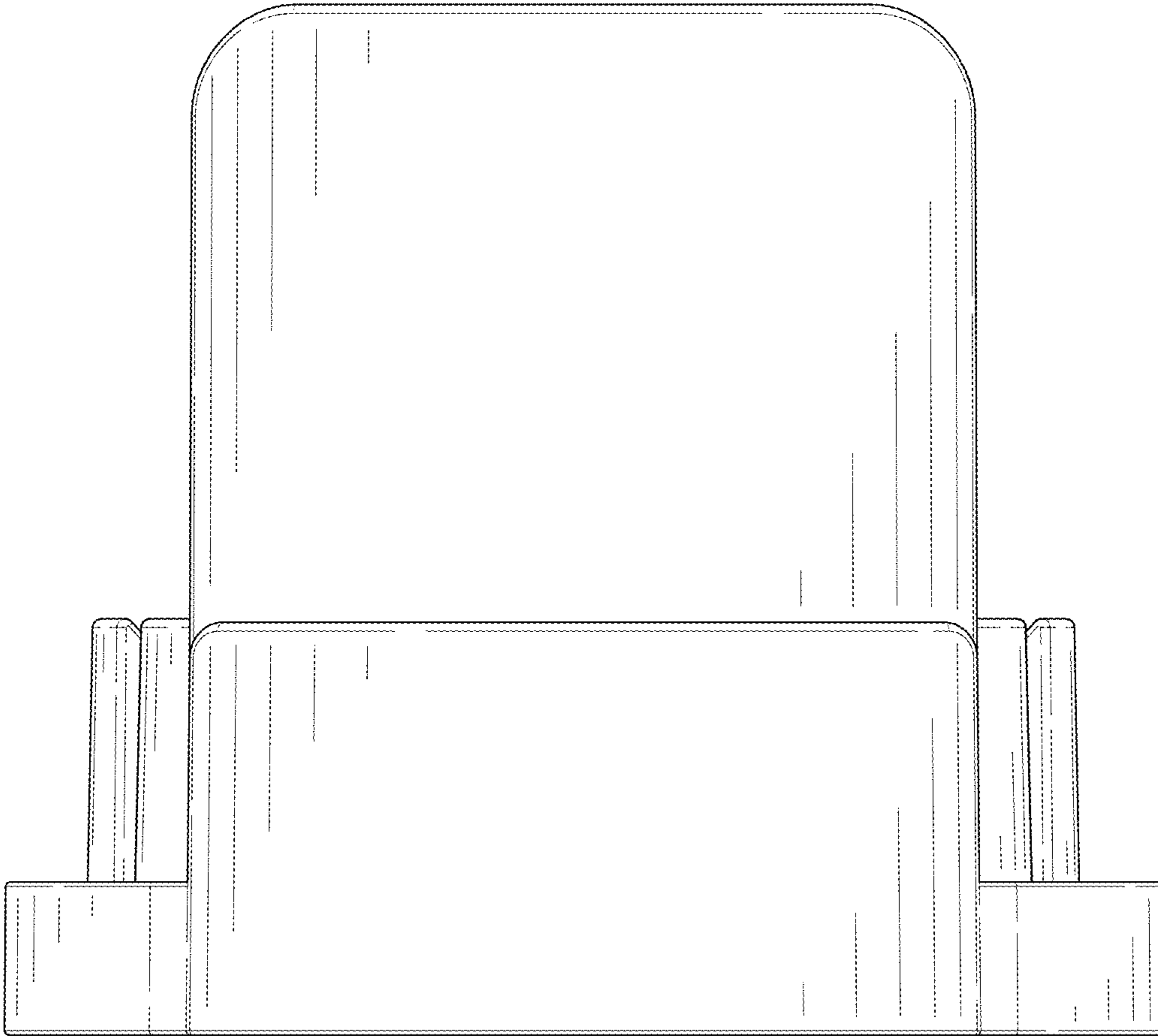


FIG. 5

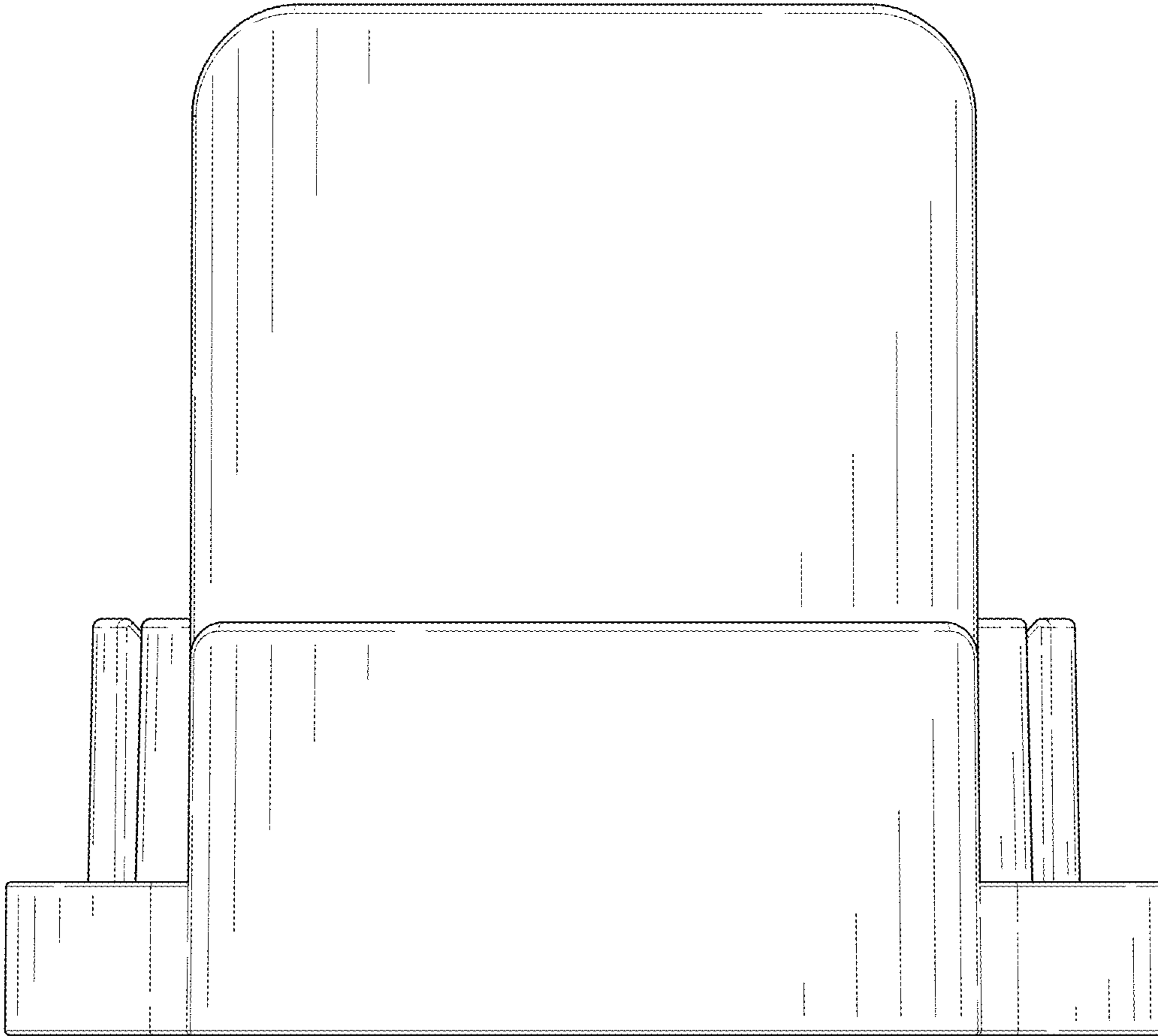


FIG. 6

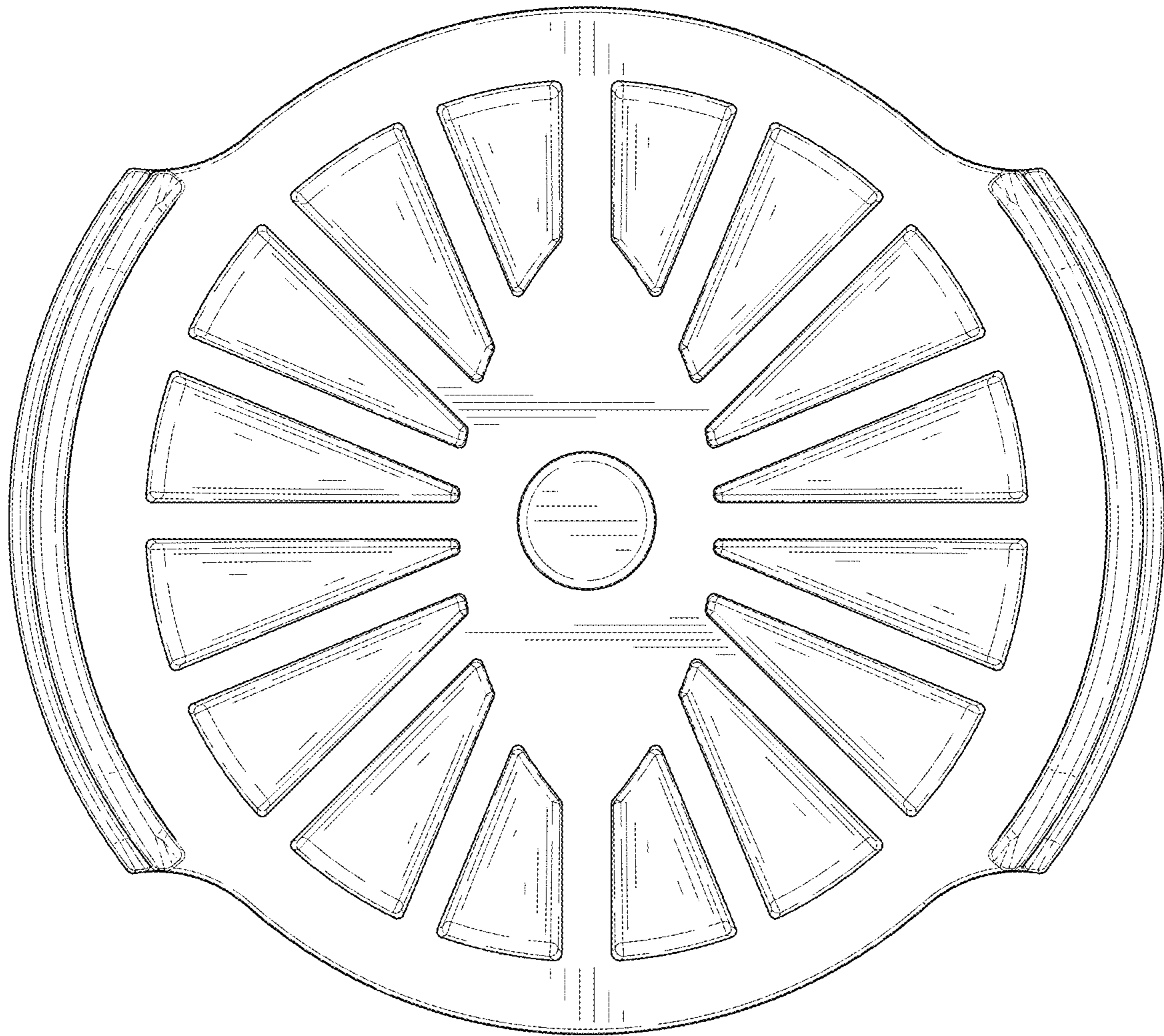


FIG. 7

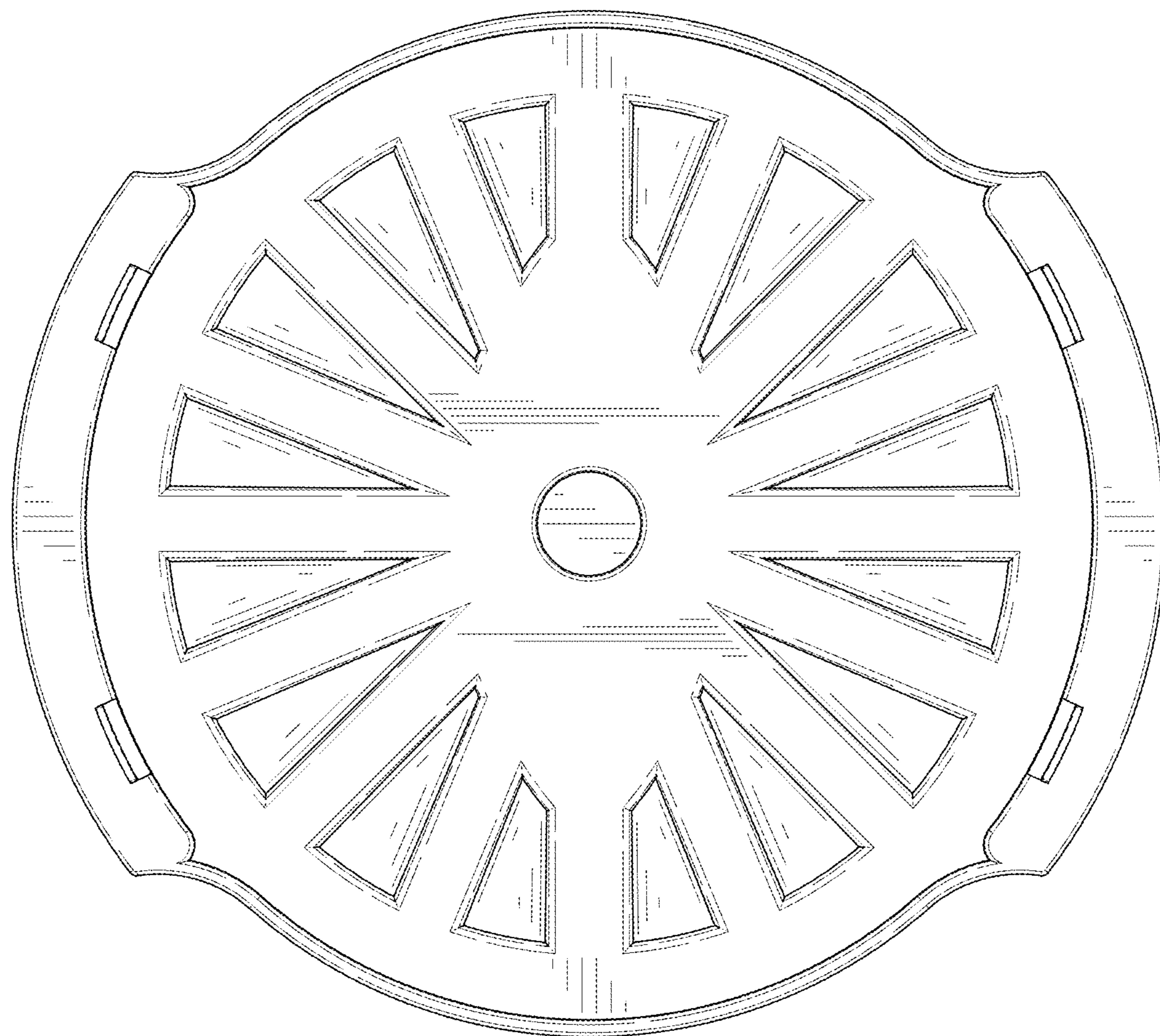


FIG. 8

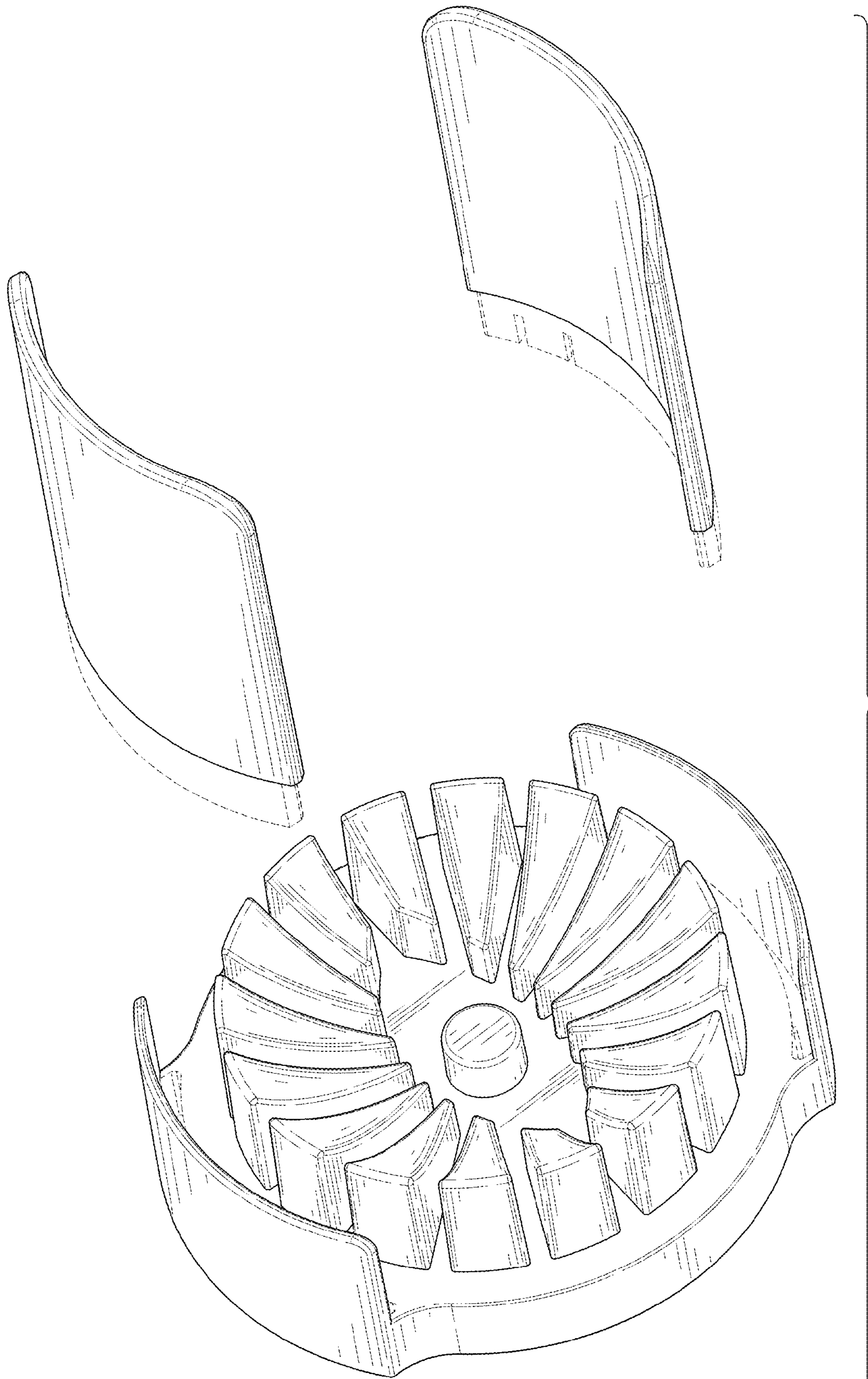


FIG. 9