



US00D973451S

(12) **United States Design Patent** (10) **Patent No.:** **US D973,451 S**
Vela (45) **Date of Patent:** **** Dec. 27, 2022**

(54) **KNIFE CADDY**
(71) Applicant: **Richard Vela**, San Fernando, CA (US)
(72) Inventor: **Richard Vela**, San Fernando, CA (US)
(73) Assignee: **Richard Vela**, Granada Hills (CA)
(**) Term: **15 Years**
(21) Appl. No.: **29/743,539**
(22) Filed: **Jul. 22, 2020**
(51) **LOC (13) Cl.** **07-07**
(52) **U.S. Cl.**
USPC **D7/637**
(58) **Field of Classification Search**
USPC D3/220, 273, 295, 313, 315, 905;
D7/213, 623, 637, 639, 649, 641, 651;
D8/35, 38, 63, 71, 91
CPC A47B 88/90; A47G 21/14; A47J 47/16;
B24D 15/084; B25H 3/04
See application file for complete search history.

D445,395 S * 7/2001 Okerlund D12/400
D479,787 S * 9/2003 Degen D8/72
D760,551 S * 7/2016 Laamanen D7/637
D767,383 S * 9/2016 DiBernardo D8/394
D852,003 S * 6/2019 Rusch D7/637
D857,704 S * 8/2019 Verschoor D14/447
D899,895 S * 10/2020 Moss D8/349
D920,051 S * 5/2021 Li D7/637
D920,054 S * 5/2021 Akisanya D7/638

* cited by examiner

Primary Examiner — Joseph Kukella
Assistant Examiner — Darryl J Dardenne
(74) *Attorney, Agent, or Firm* — Pete Adams Law, PLLC

(57) **CLAIM**

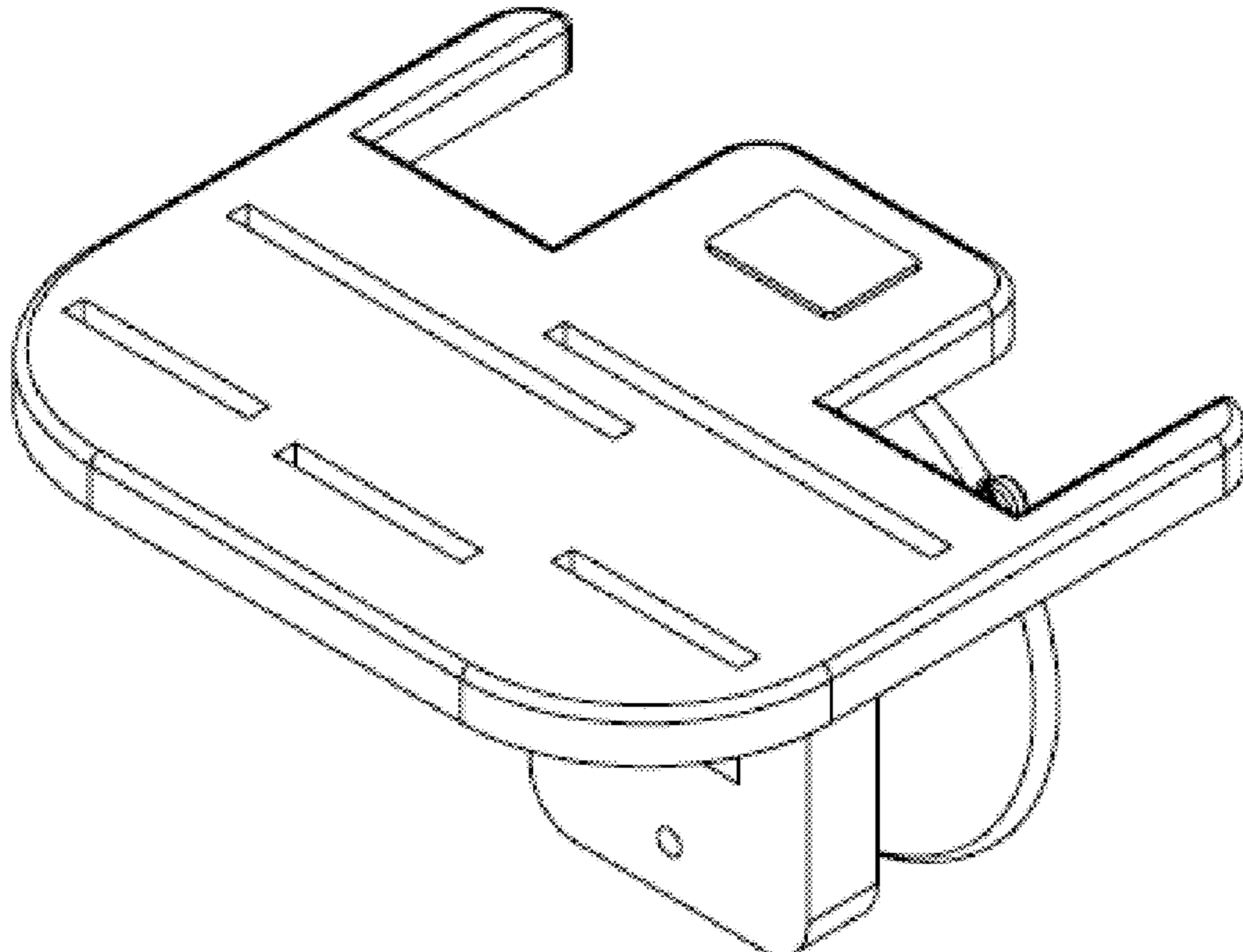
The ornamental design for a knife caddy, as shown and described.

DESCRIPTION

FIG. 1 is a perspective view of a first embodiment of a knife caddy;
FIG. 2 is a front view therein;
FIG. 3 is a rear view therein;
FIG. 4 is a right side view therein;
FIG. 5 is a left side view therein;
FIG. 6 is a top view therein; and,
FIG. 7 is a bottom view therein.

1 Claim, 4 Drawing Sheets

(56) **References Cited**
U.S. PATENT DOCUMENTS
4,642,157 A * 2/1987 Cavanagh B65H 35/0013
156/468
5,076,533 A * 12/1991 Schubert A47J 47/16
248/585



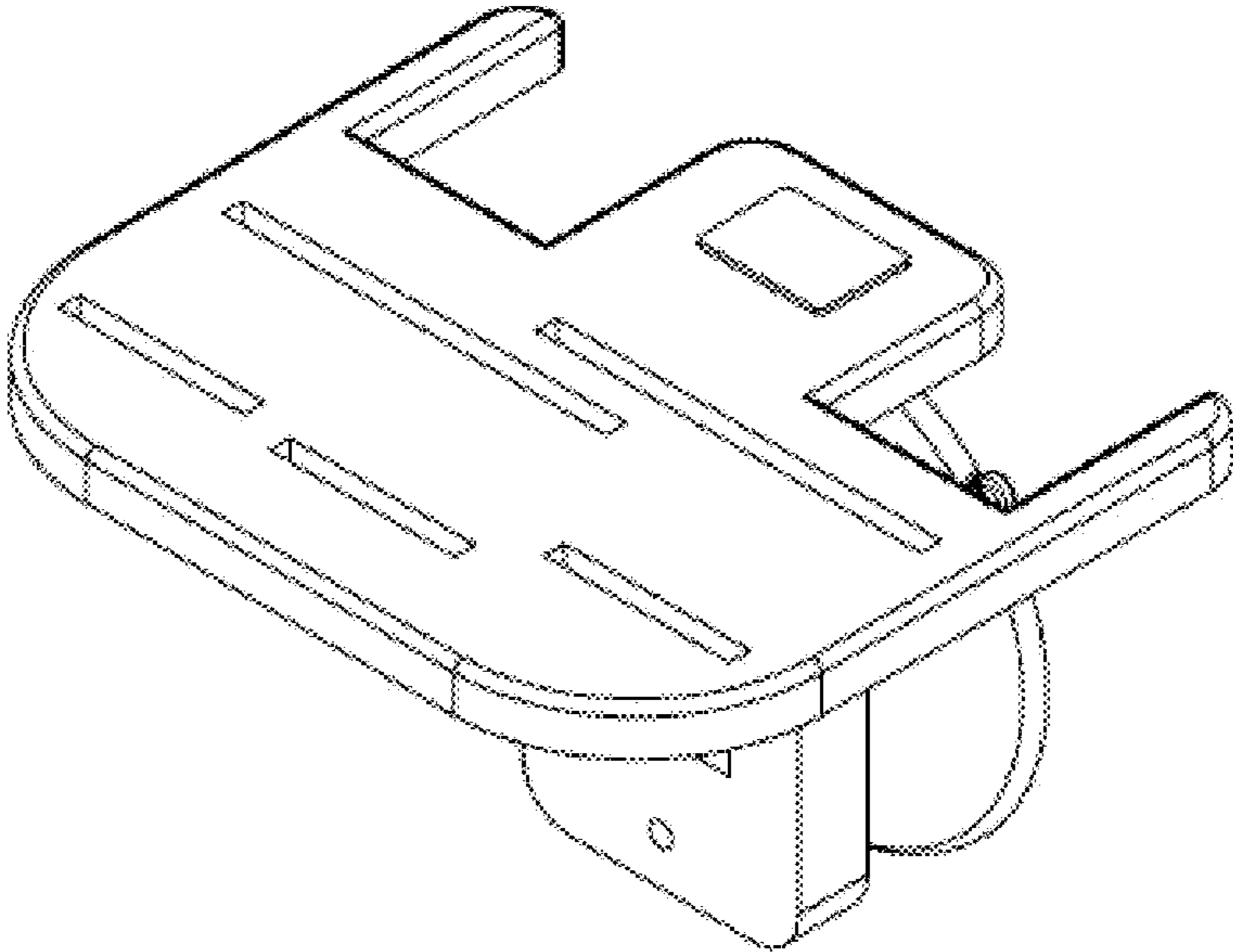


FIG. 1

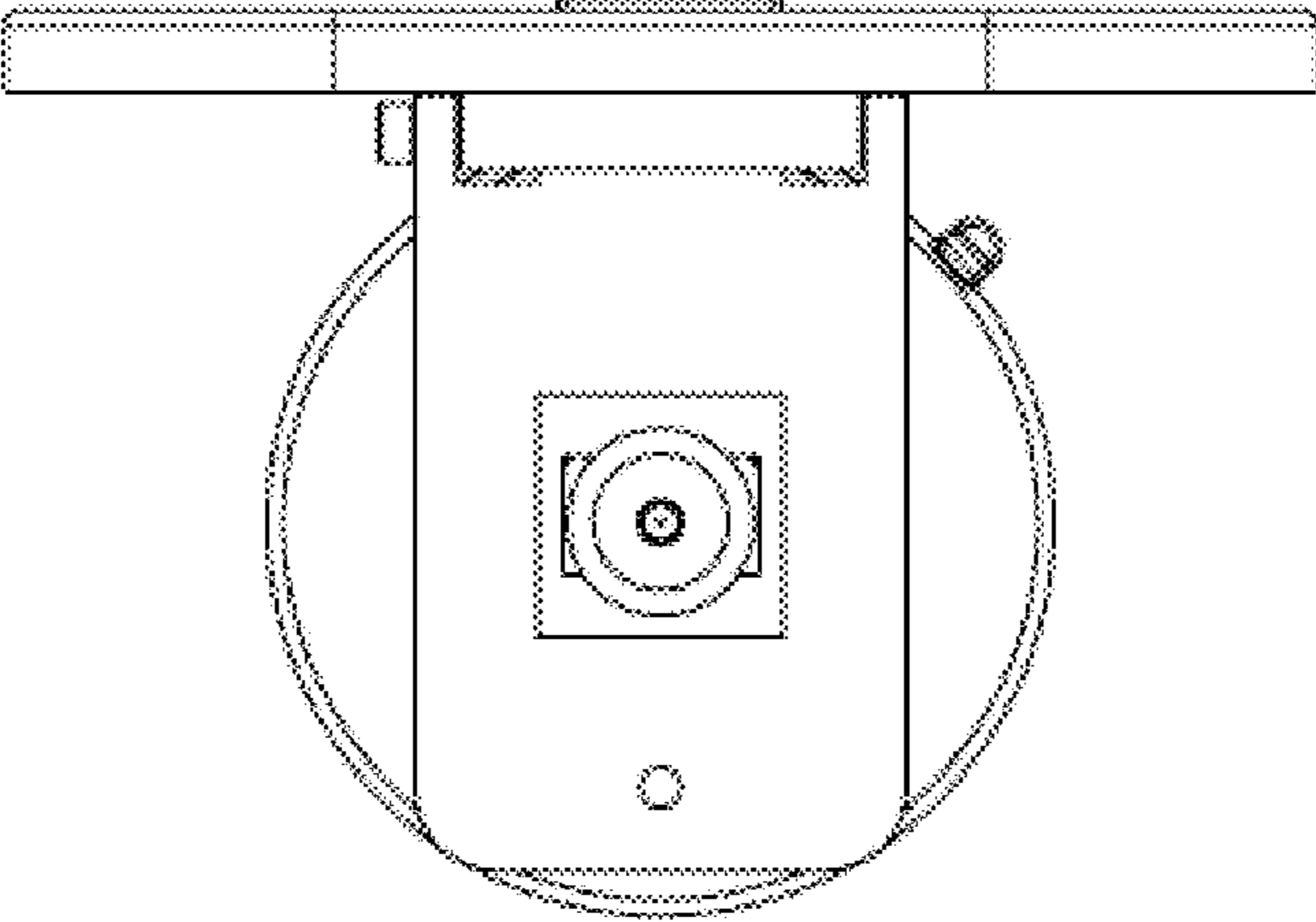


FIG. 2

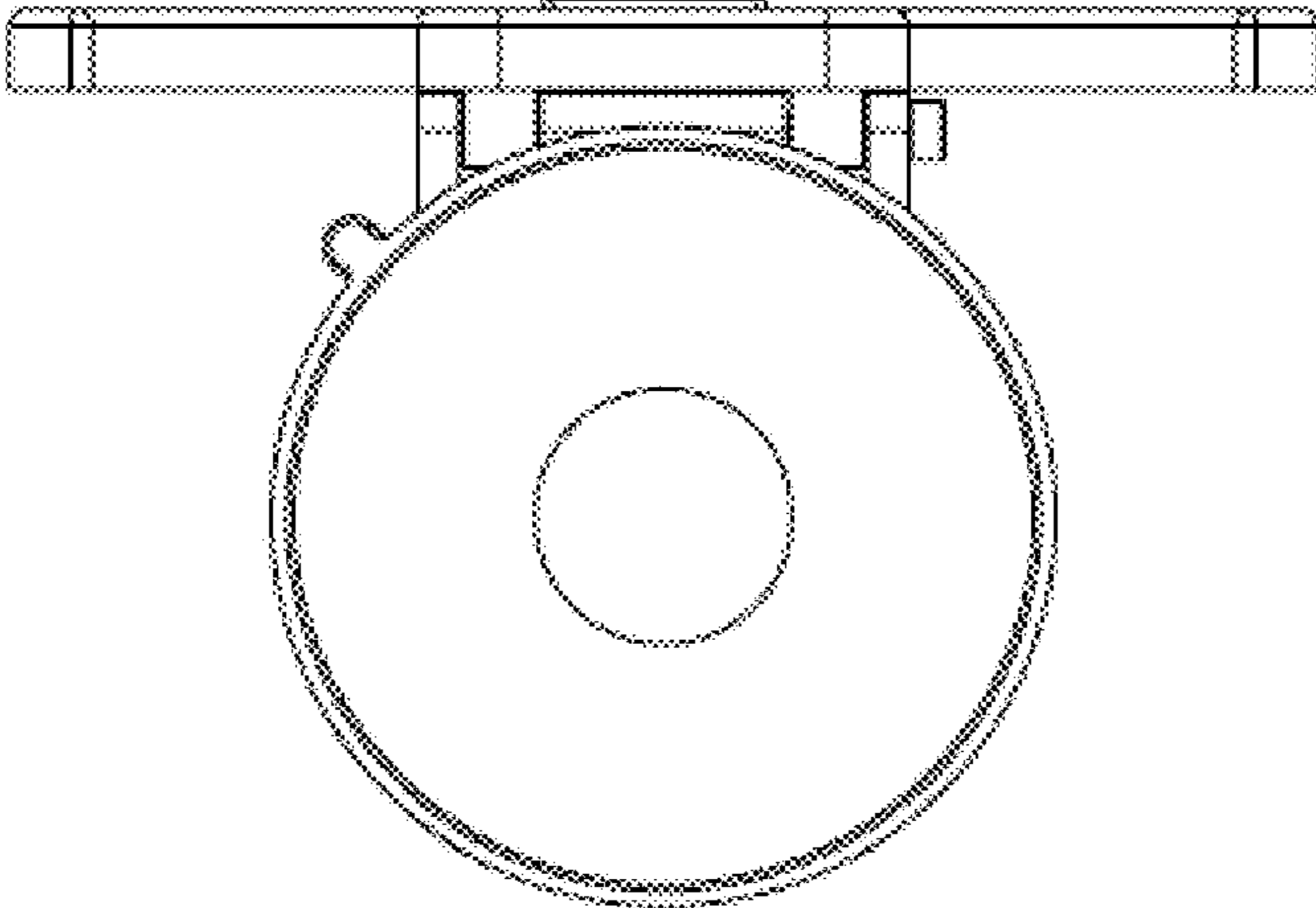


FIG. 3

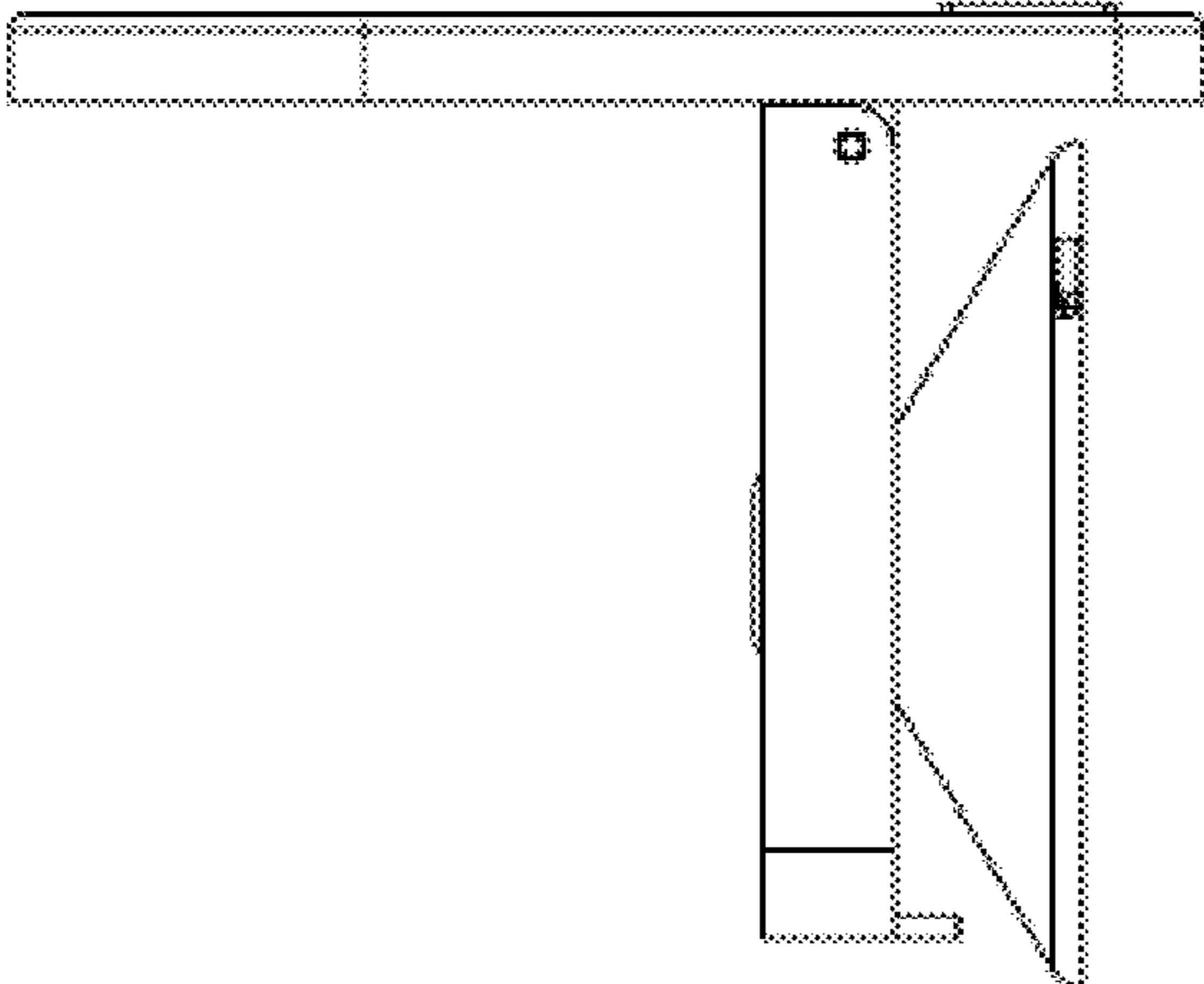


FIG. 4

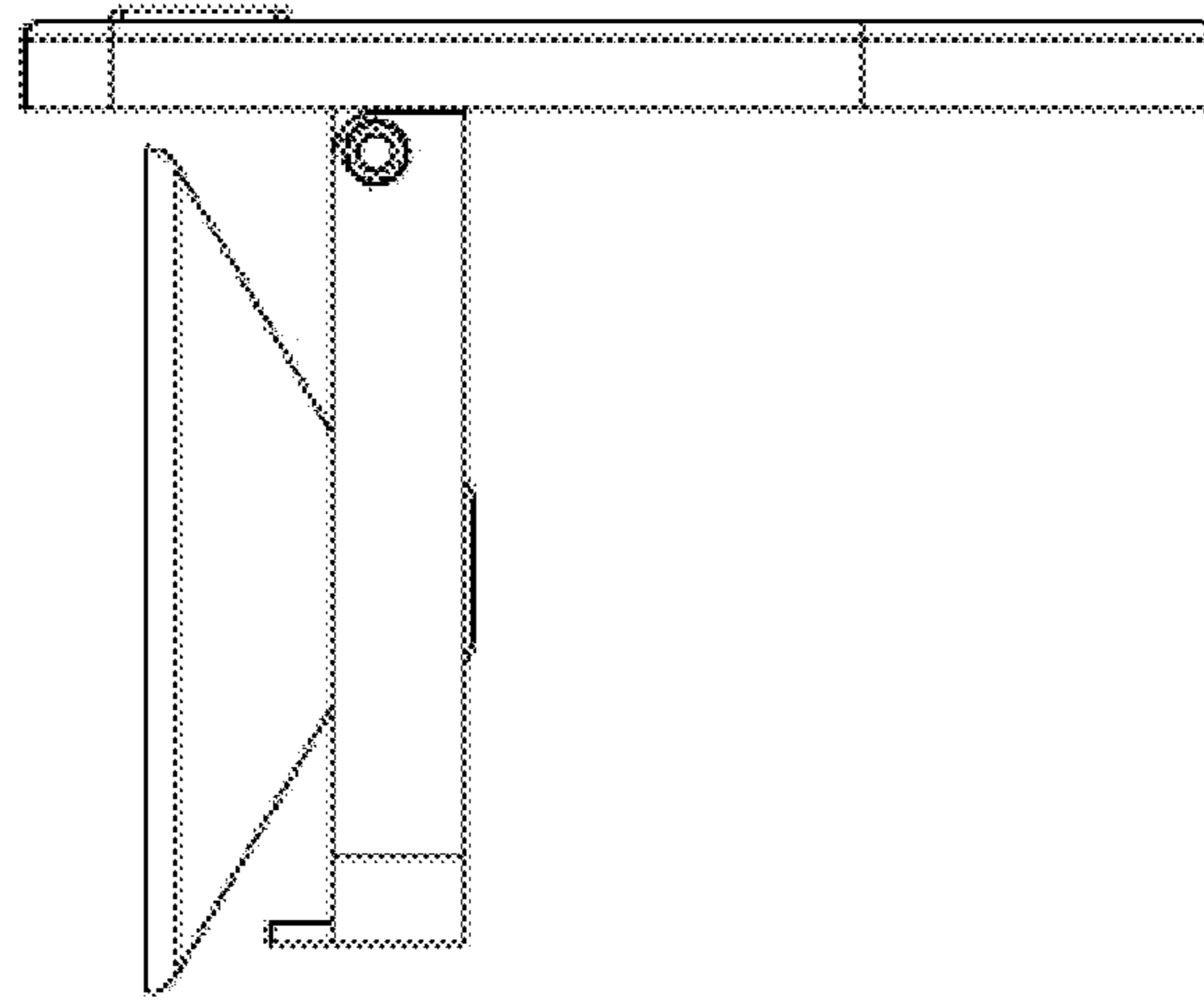


FIG. 5

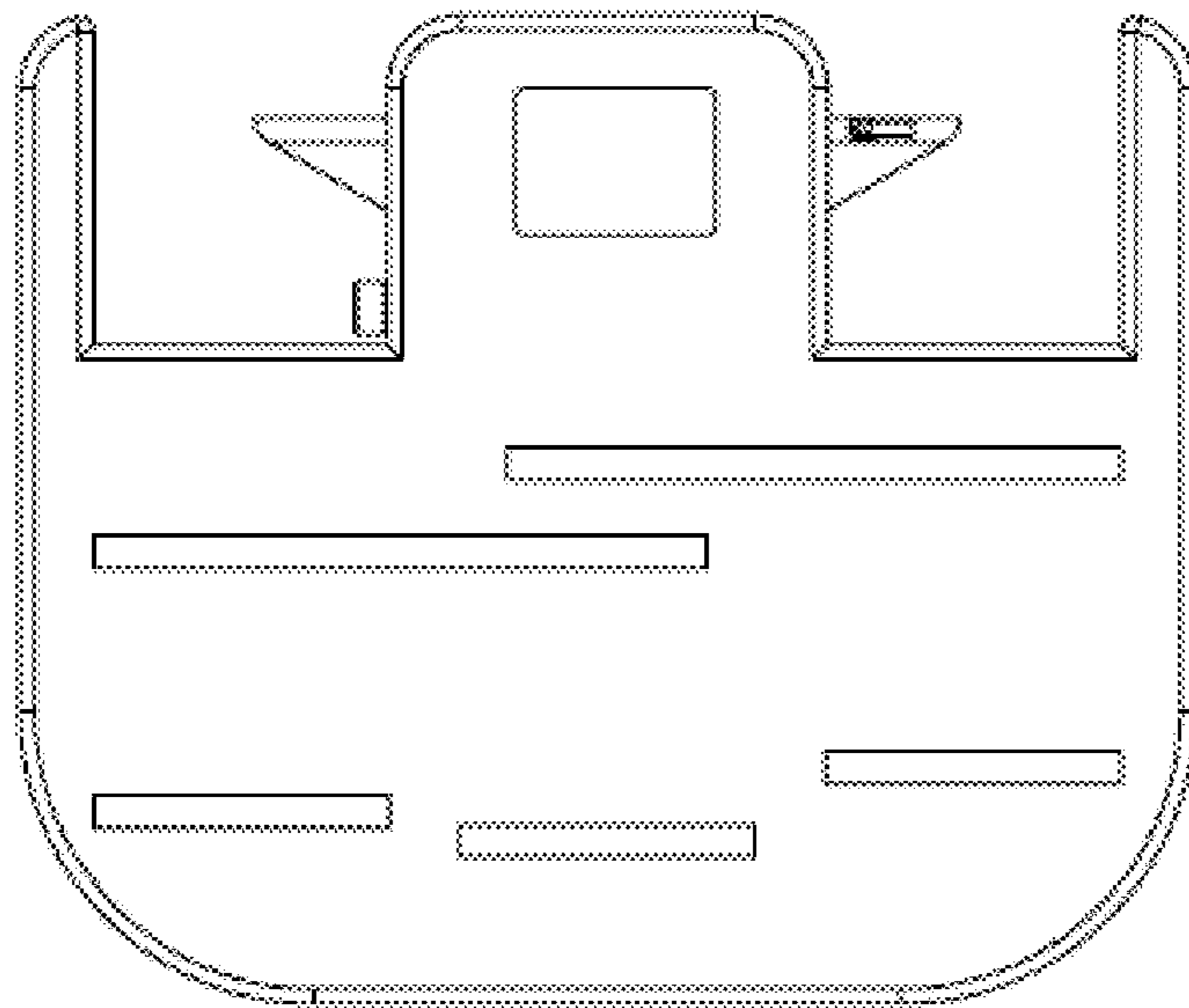


FIG. 6

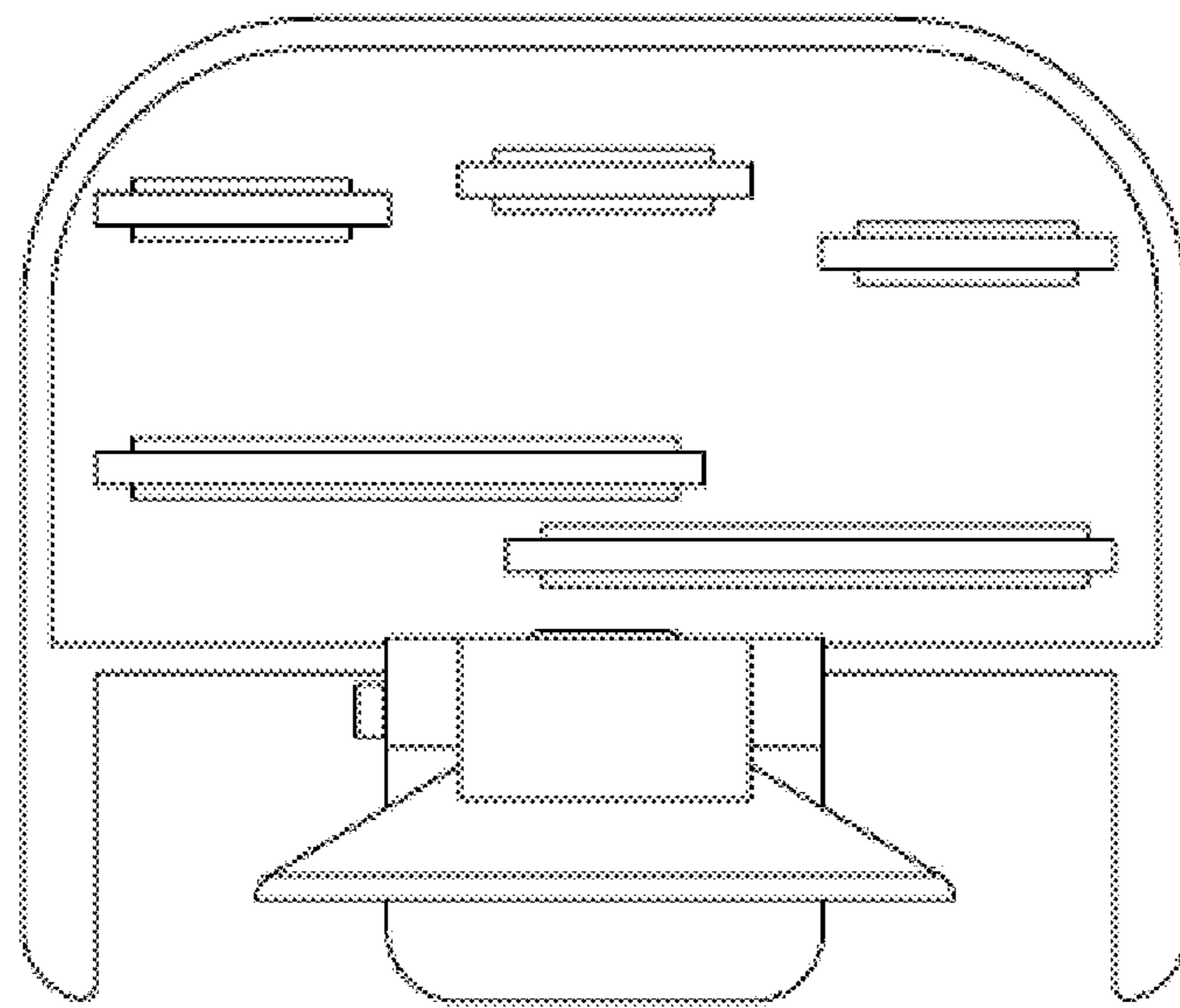


FIG. 7