



US00D973449S

(12) **United States Design Patent** (10) **Patent No.:** **US D973,449 S**
Cheng et al. (45) **Date of Patent:** **** Dec. 27, 2022**

(54) **SPOON REST**

D548,018 S * 8/2007 Ablo D7/638
D582,219 S * 12/2008 Prevost D7/601
D890,577 S * 7/2020 Cotter D7/637

(71) Applicant: **Helen of Troy Limited**, St. Michael (BB)

* cited by examiner

(72) Inventors: **Carly Cheng**, New York, NY (US);
Erik R. Shewan, Astoria, NY (US);
James Kwon, Long Island City, NY (US)

Primary Examiner — Mitchell I. Siegel
(74) *Attorney, Agent, or Firm* — Rankin, Hill & Clark LLP

(73) Assignee: **Helen of Troy Limited**, St. Michael (BB)

(57) **CLAIM**

The ornamental design for a spoon rest, as shown and described.

(**) Term: **15 Years**

(21) Appl. No.: **29/724,335**

DESCRIPTION

(22) Filed: **Feb. 14, 2020**

(51) **LOC (13) Cl.** **07-06**

(52) **U.S. Cl.**
USPC **D7/637**

(58) **Field of Classification Search**
USPC D3/306; D6/566-574; D7/631, 637-641
CPC . A47B 88/00; A47B 88/20; A47F 7/00; A47F 7/14; A47G 21/00; A47G 21/16; B65D 1/34; B65D 1/36; B65D 21/046; B65D 21/048; G09F 1/14

See application file for complete search history.

FIG. 1 is a top perspective view of a spoon rest, shown with a support in a raised position, showing our new design; FIG. 2 is a front elevation view of FIG. 1; FIG. 3 is a rear elevation view of FIG. 1; FIG. 4 is a right side elevation view of FIG. 1; FIG. 5 is a left side elevation view of FIG. 1; FIG. 6 is a top plan view of FIG. 1; FIG. 7 is a bottom plan view of FIG. 1; FIG. 8 is a cross-sectional view taken along line 8-8 of FIG. 2; FIG. 9 is a top perspective view of a spoon rest, shown with the support in a folded position; FIG. 10 is a front elevation view of FIG. 9; FIG. 11 is a rear elevation view of FIG. 9; FIG. 12 is a right side elevation view of FIG. 9; FIG. 13 is a left side elevation view of FIG. 9; FIG. 14 is a top plan view of FIG. 9; FIG. 15 is a bottom plan view of FIG. 9; and, FIG. 16 is a cross-sectional view taken along line 16-16 of FIG. 10.

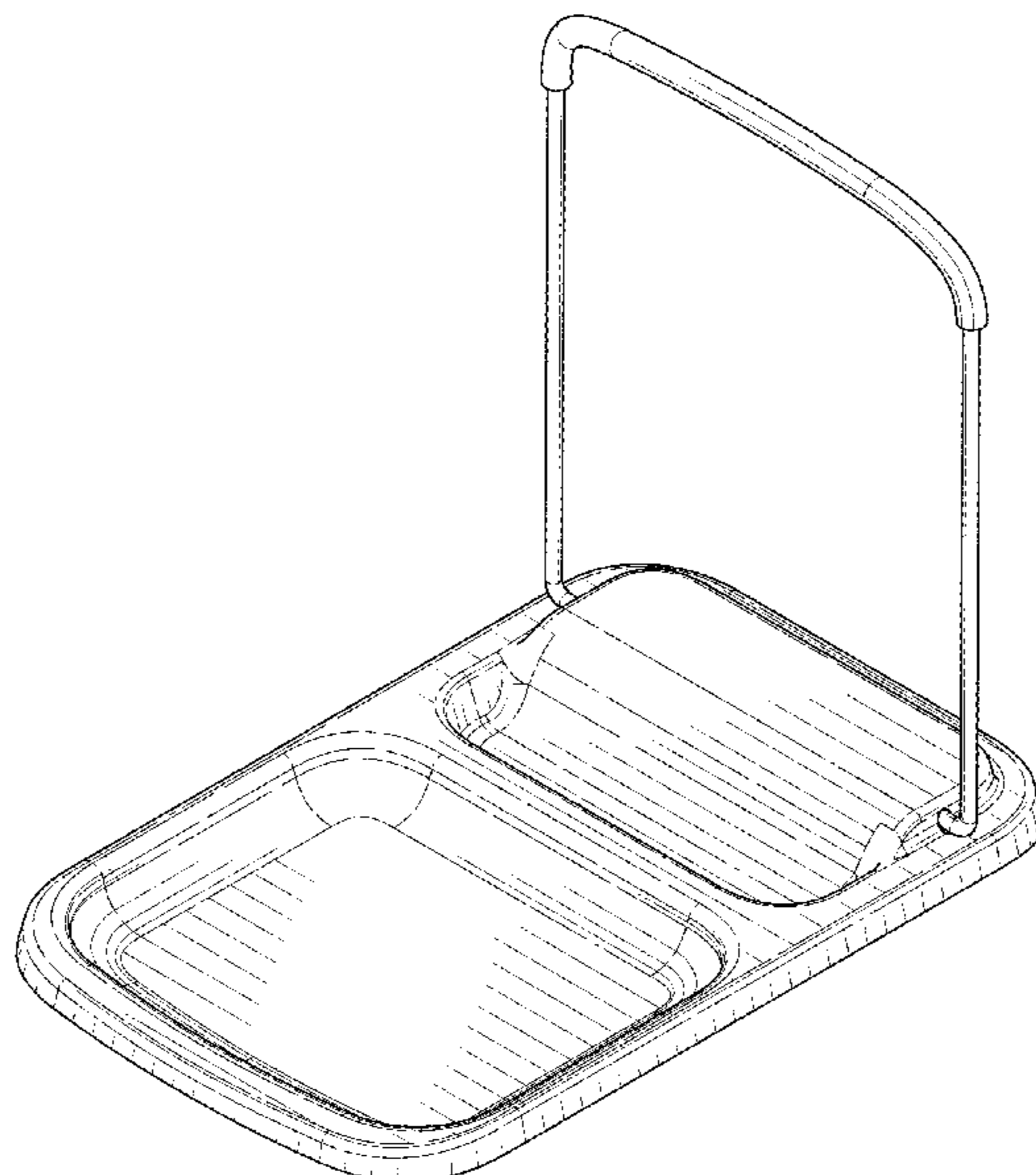
The broken lines in the drawings depict portions of the spoon rest that form no part of the claimed design.

(56) **References Cited**

U.S. PATENT DOCUMENTS

D320,332 S * 10/1991 Fetty D7/638
5,127,616 A * 7/1992 Carney A47J 47/16
211/41.11
D394,370 S * 5/1998 Hollinger D7/637
D408,229 S * 4/1999 Hong D7/638
D450,540 S * 11/2001 Romero D7/601
D475,898 S * 6/2003 Kaposi D7/638
D511,944 S * 11/2005 Kaposi D7/601
D527,228 S * 8/2006 Joseph D7/637
D543,793 S * 6/2007 Lion D7/601

1 Claim, 12 Drawing Sheets



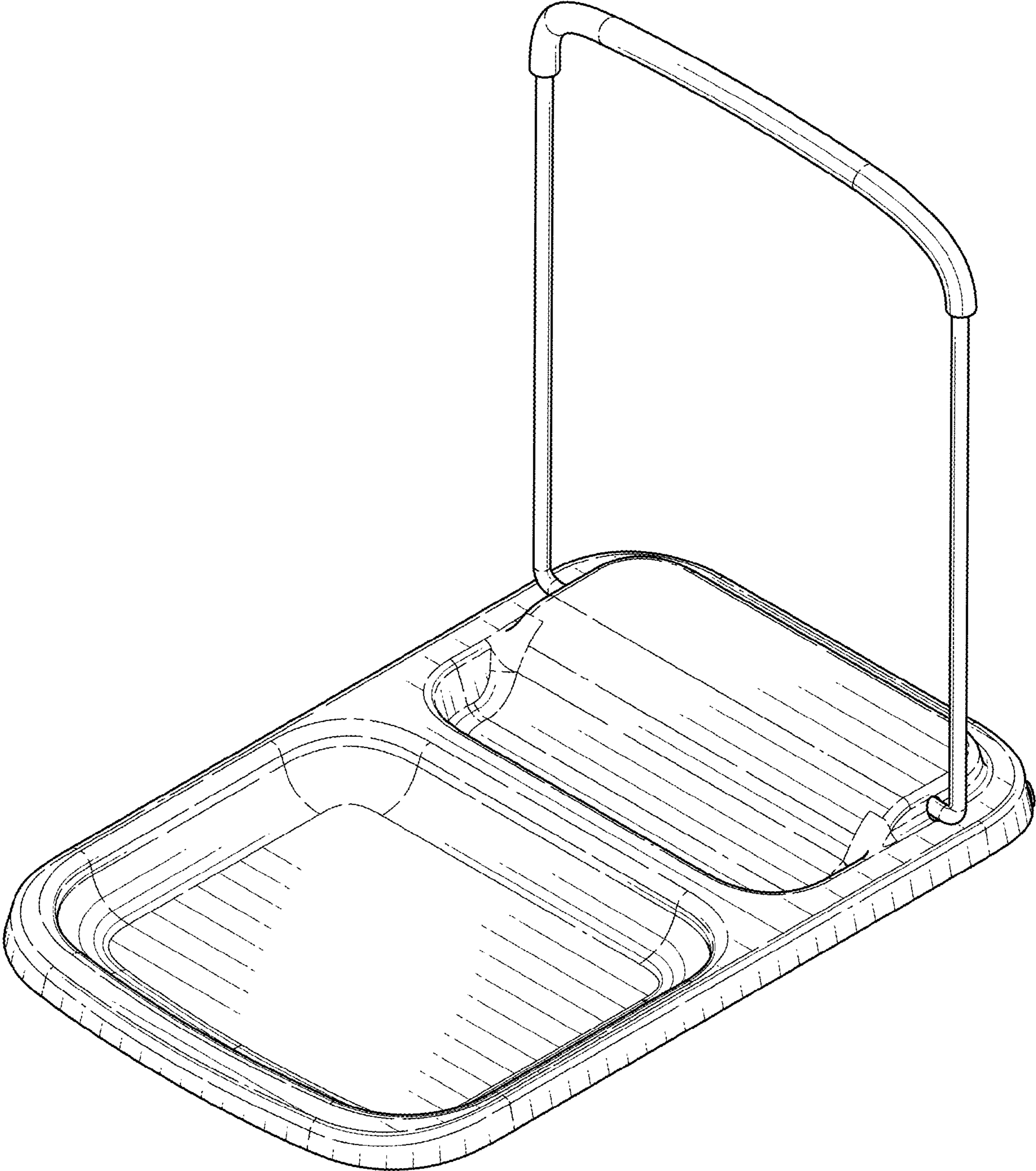


FIG. 1

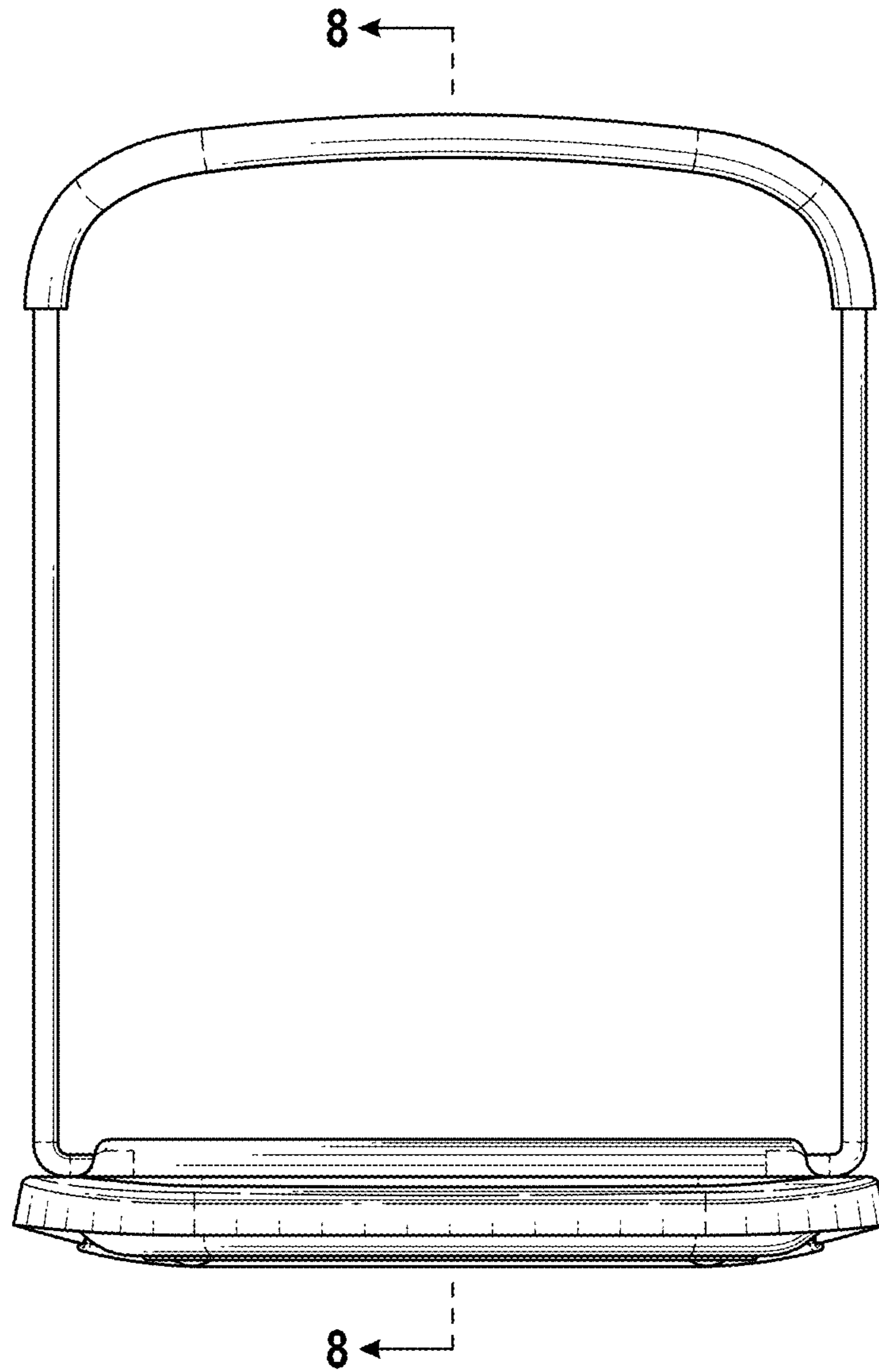


FIG. 2

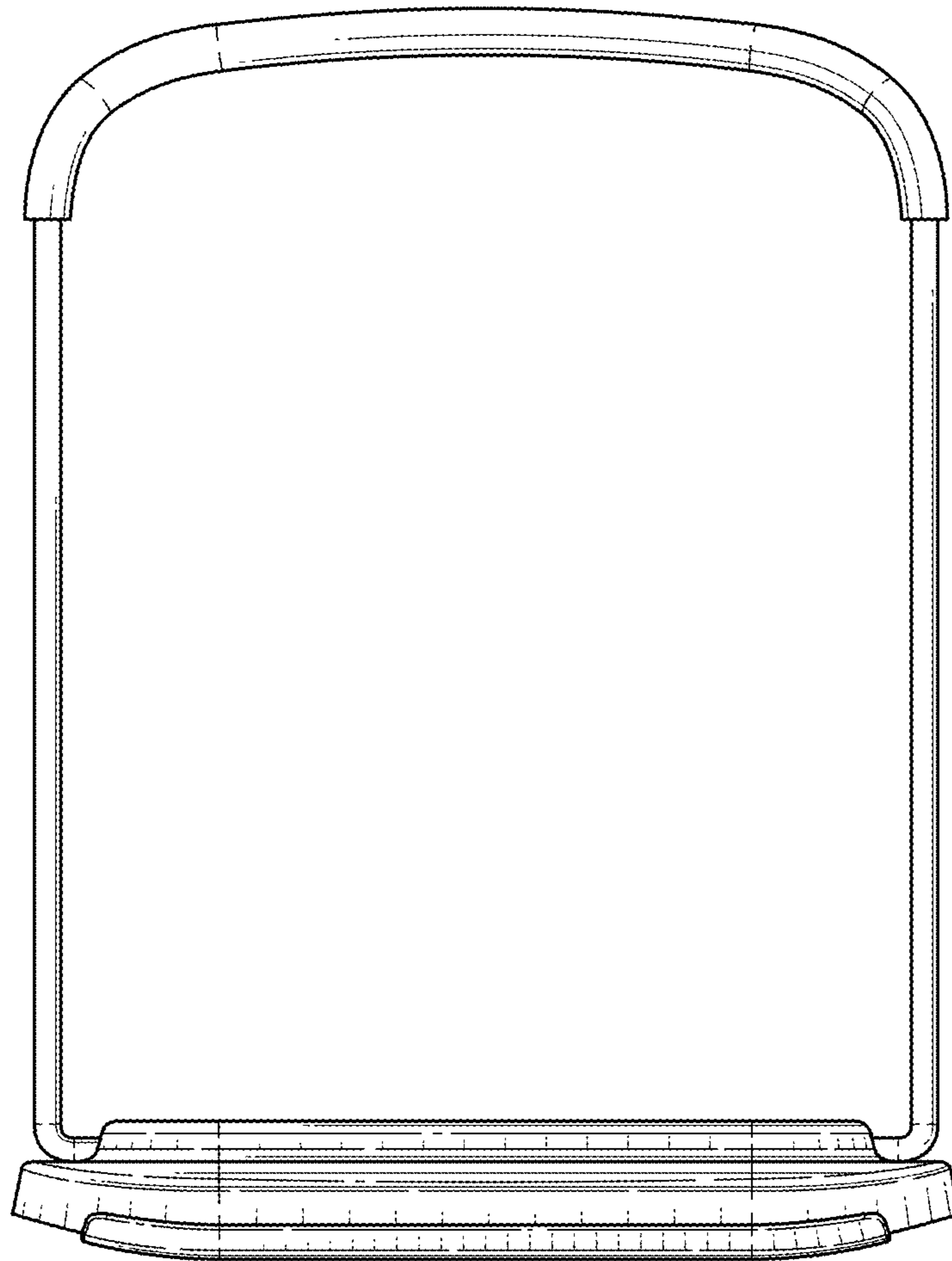


FIG. 3

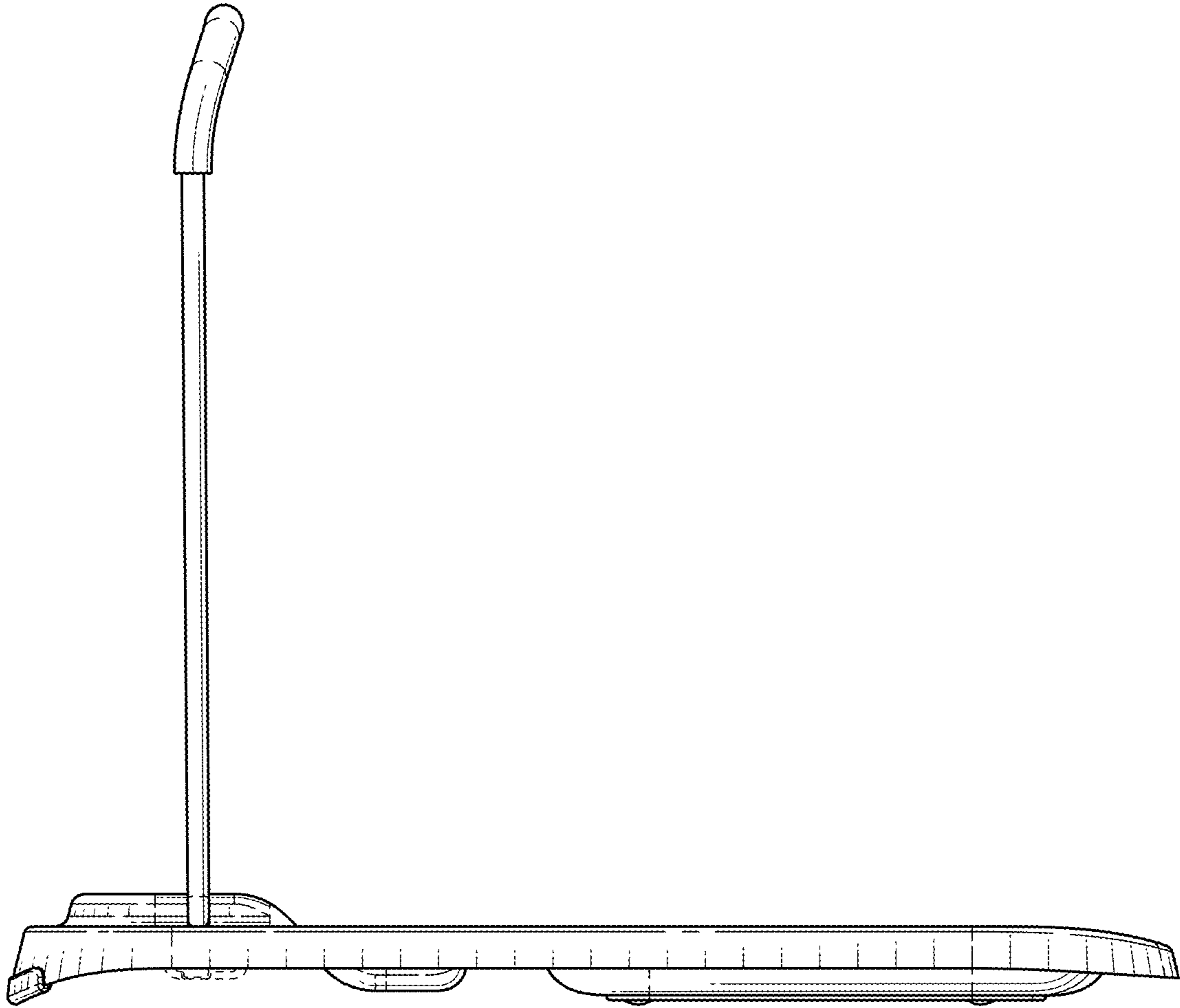


FIG. 4

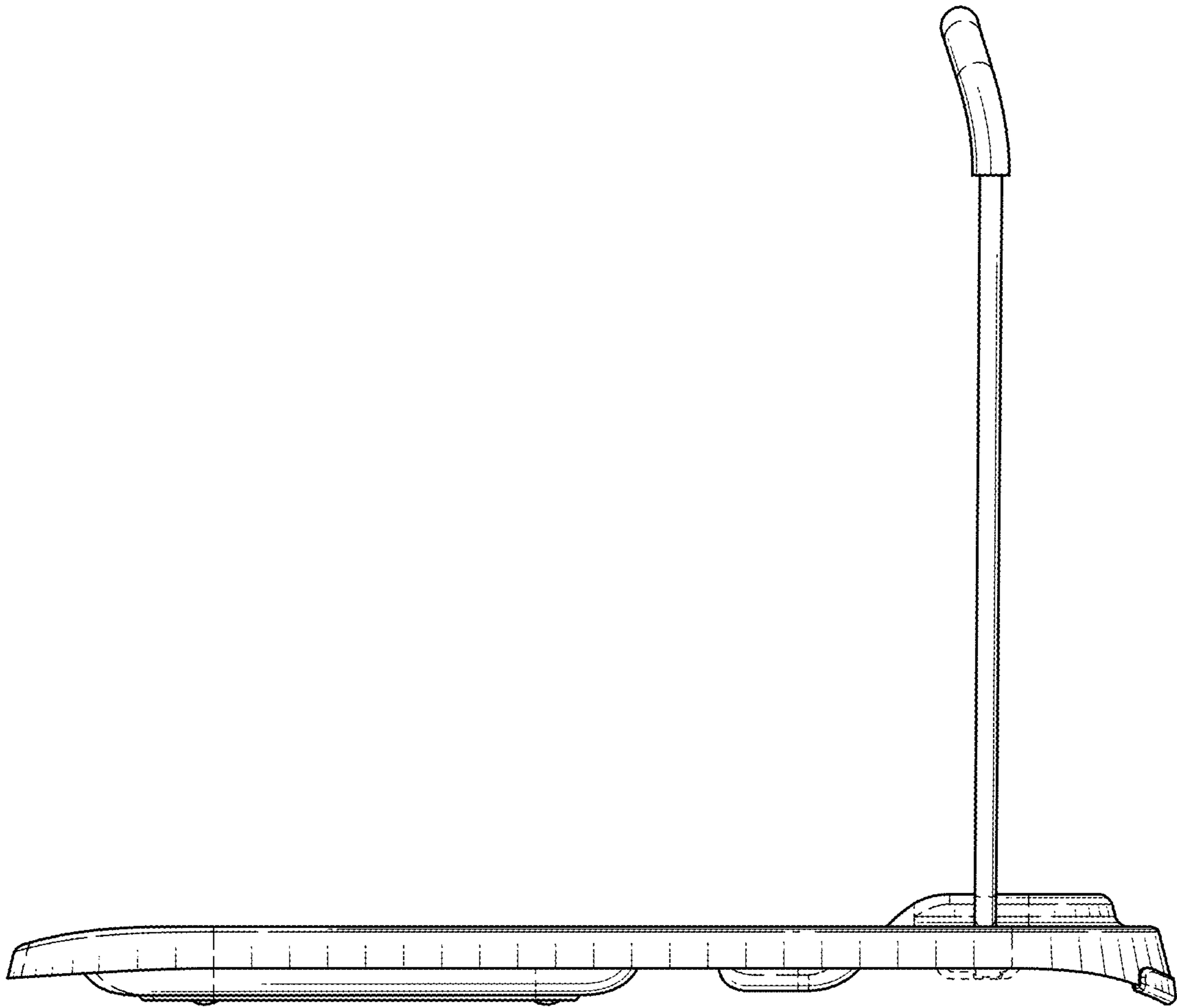


FIG. 5

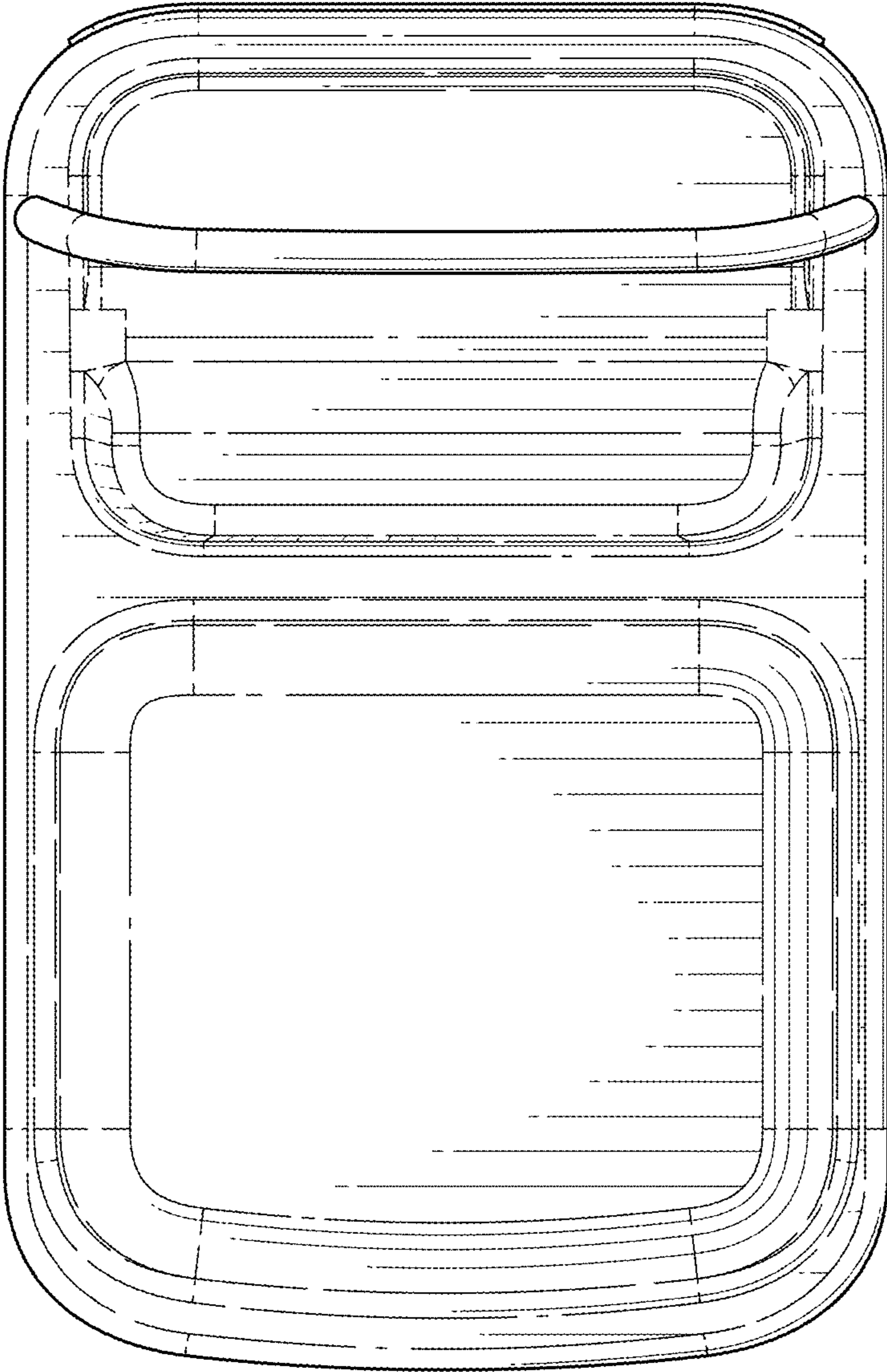


FIG. 6

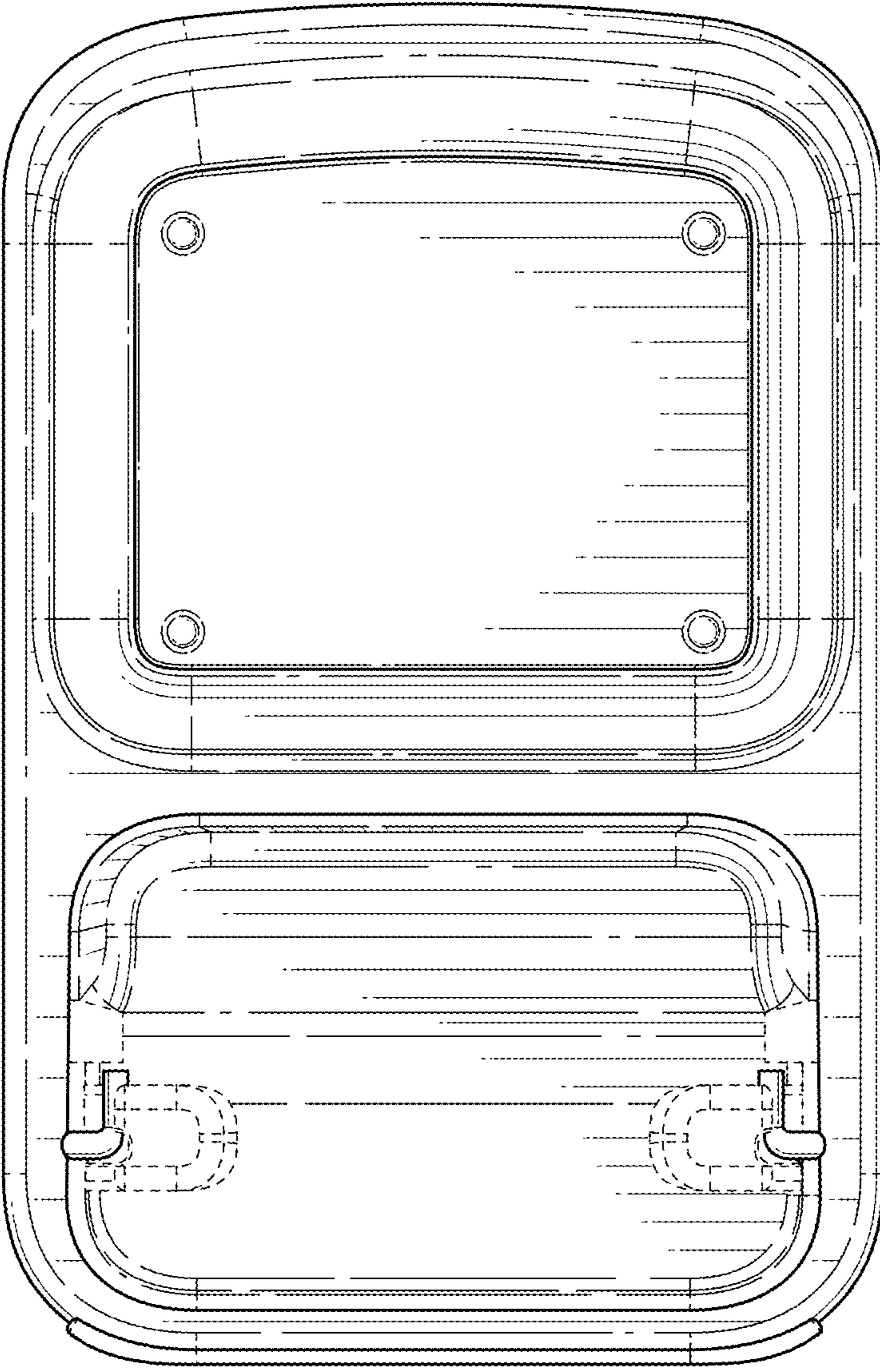


FIG. 7

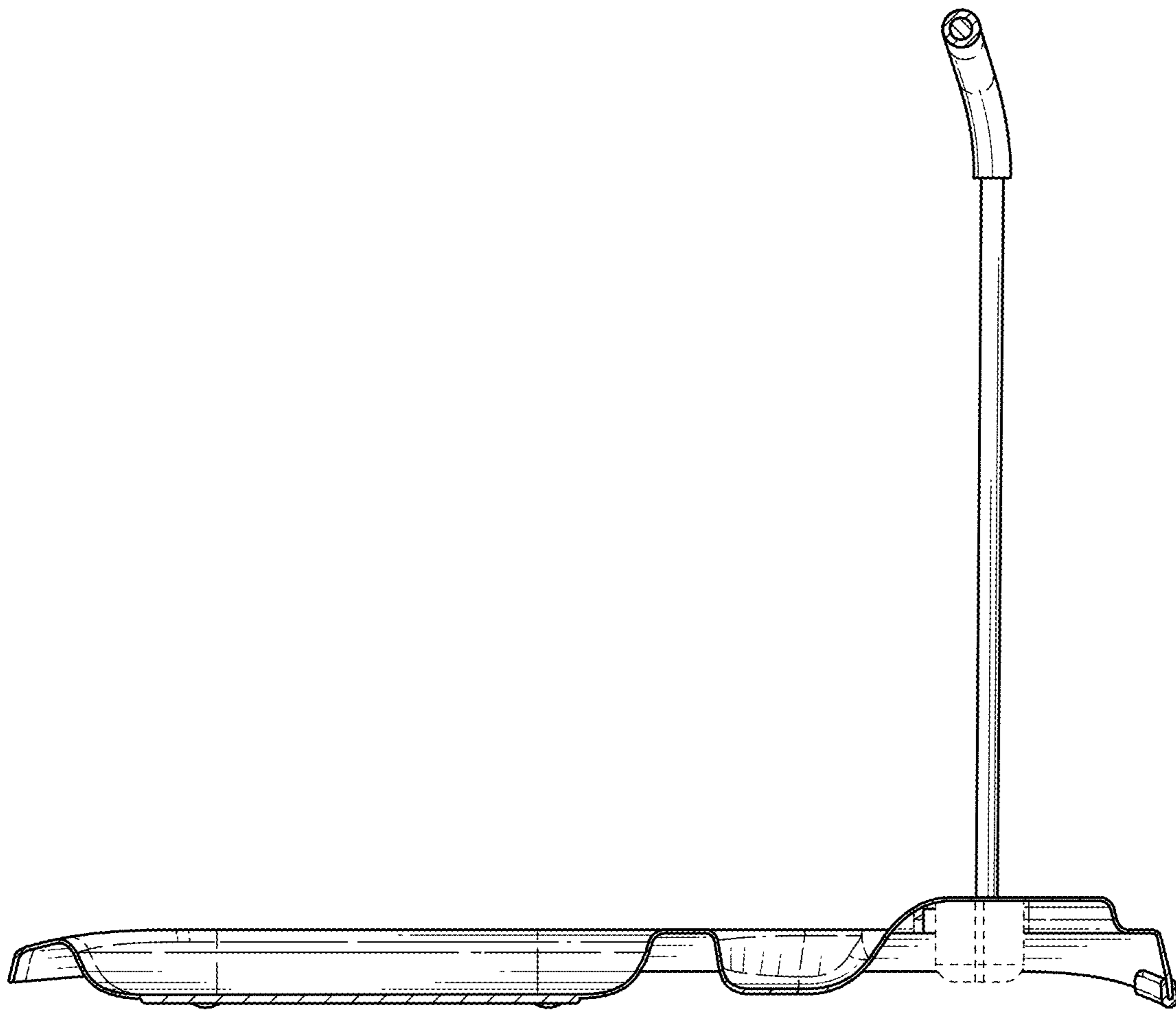


FIG. 8

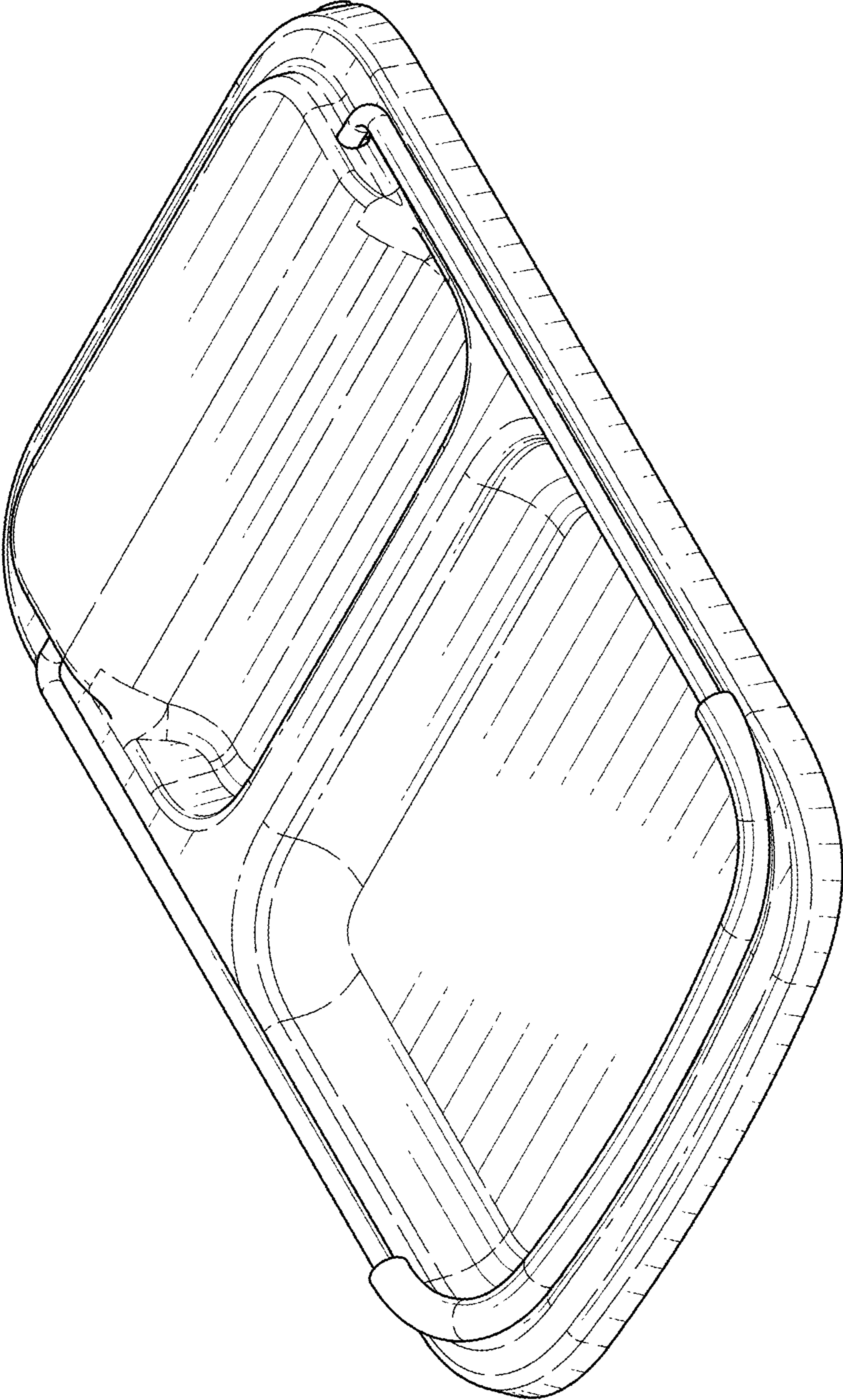


FIG. 9

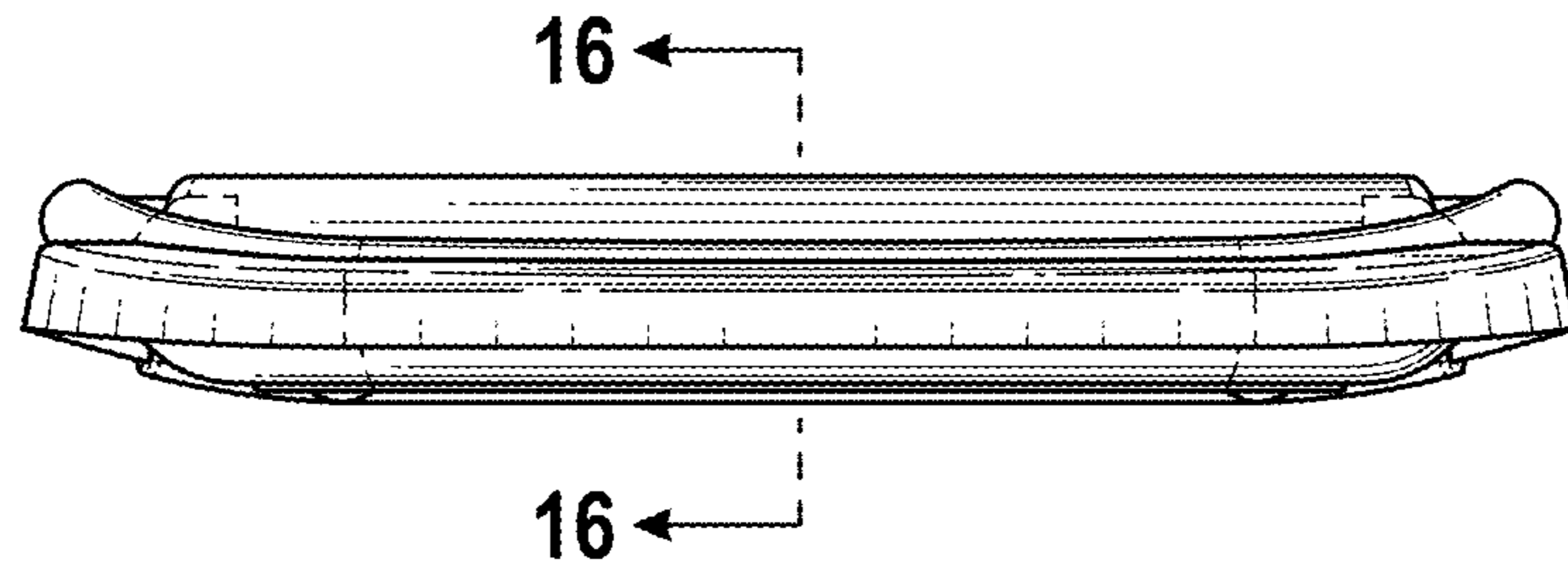


FIG. 10

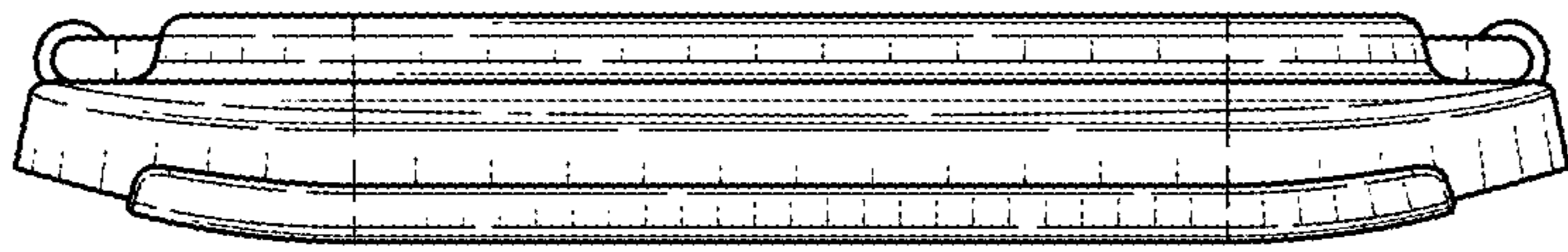


FIG. 11

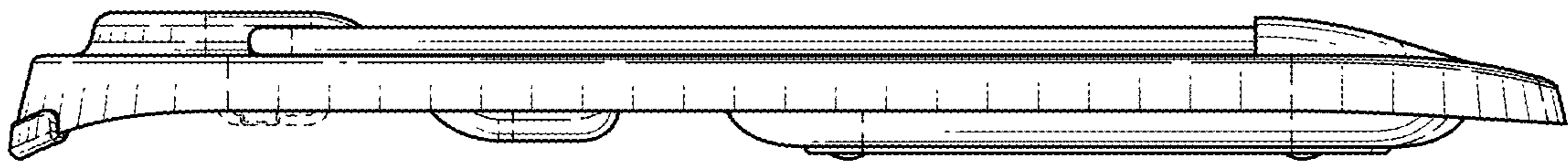


FIG. 12

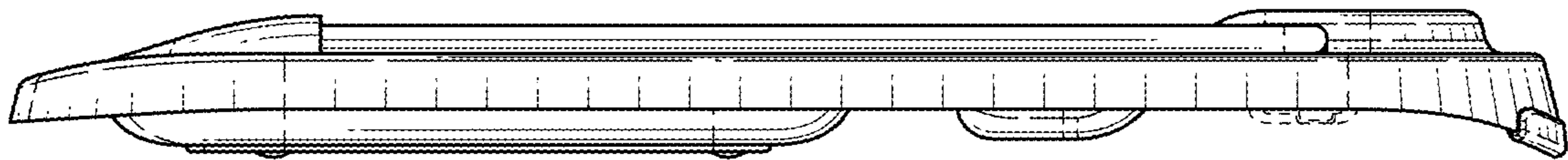


FIG. 13

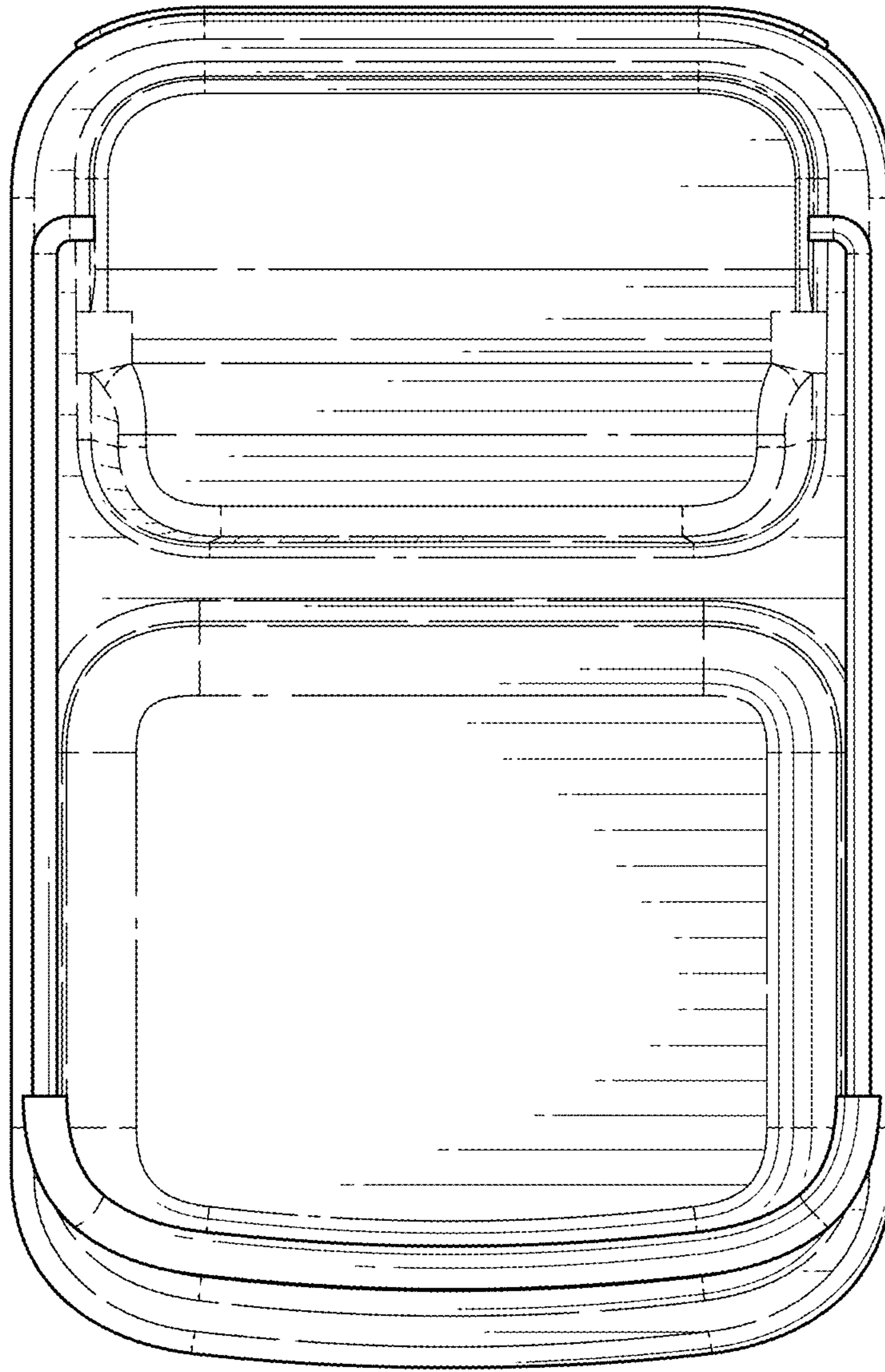


FIG. 14

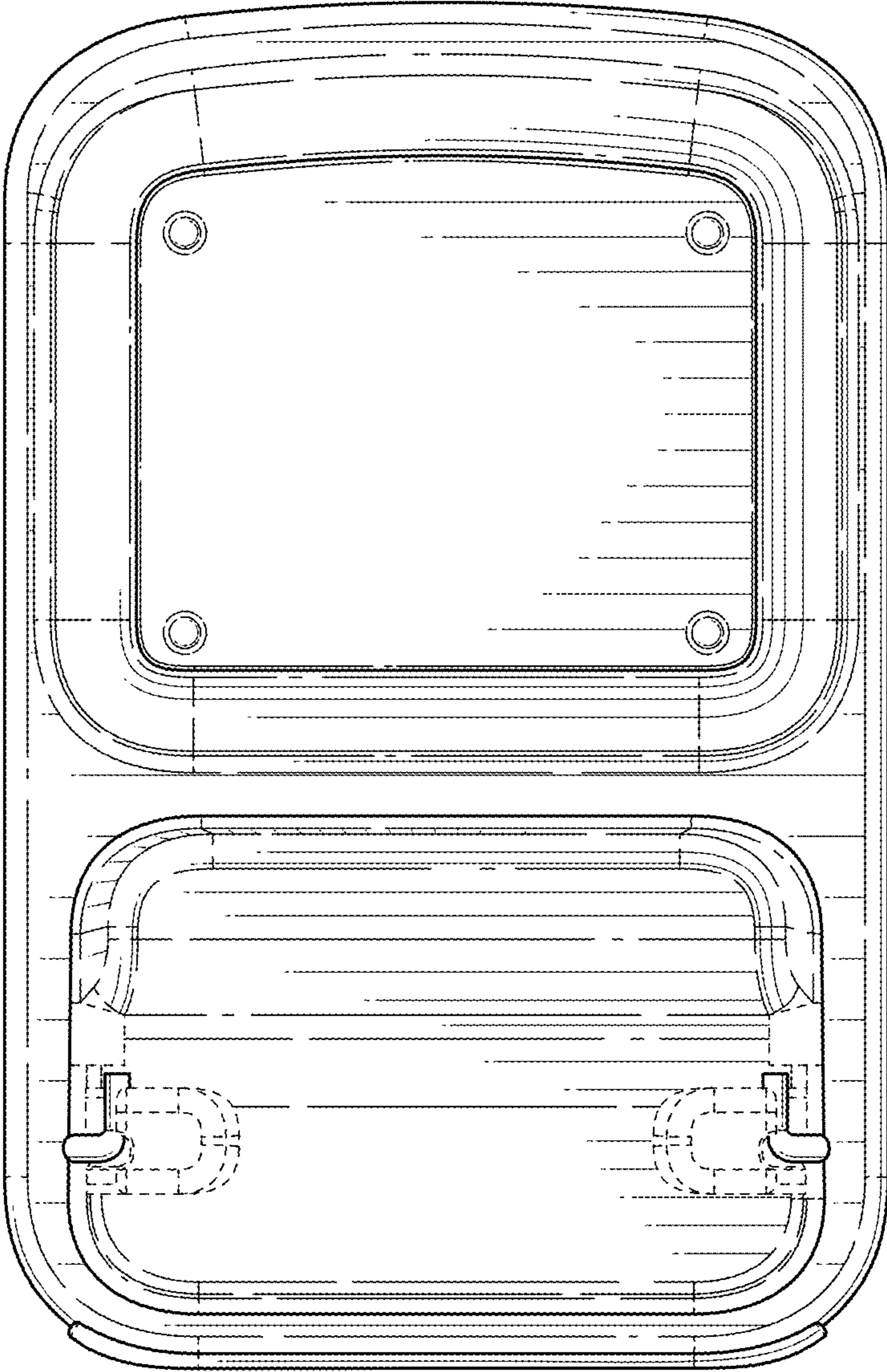


FIG. 15

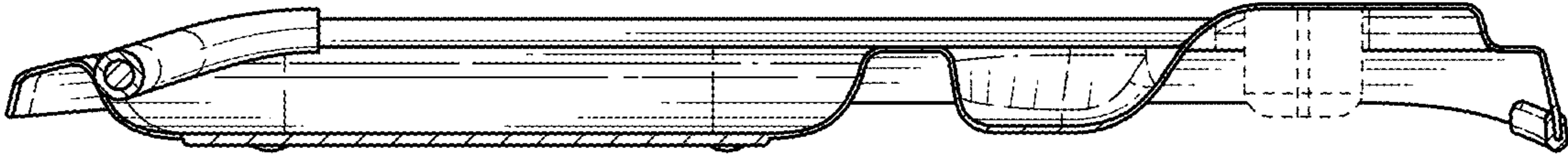


FIG. 16