



US00D973448S

(12) **United States Design Patent** (10) **Patent No.:** **US D973,448 S**
Aneja (45) **Date of Patent:** **** Dec. 27, 2022**

(54) **SILICONE SLEEVE FOR A TINNED CAN**

FOREIGN PATENT DOCUMENTS

(71) Applicant: **Neil Aneja**, Roanoke, VA (US)

CA 169277 S 5/2017
GB 2474858 A 5/2011

(72) Inventor: **Neil Aneja**, Roanoke, VA (US)

(Continued)

(73) Assignee: **Neil Aneja**, Roanoke, VA (US)

OTHER PUBLICATIONS

(**) Term: **15 Years**

Skywine Silicone Can Sleeve (3 pack)—Beer Can Cover can Hides Beer Can by Disguising it as a Can of Soda (Red), Amazon.com, 8 page(s).

(21) Appl. No.: **29/746,113**

(Continued)

(22) Filed: **Aug. 12, 2020**

(51) **LOC (13) Cl.** **07-09**

Primary Examiner — Joseph Kukella

(52) **U.S. Cl.**

Assistant Examiner — Darryl J Dardenne

USPC **D7/624.2**

(74) *Attorney, Agent, or Firm* — Dickinson Wright PLLC

(58) **Field of Classification Search**

(57) **CLAIM**

USPC D3/202, 229; D7/300, 387, 392.1, 396.2, D7/397, 509, 511, 600.1, 602, 605, 606, D7/607, 608, 619.1, 619.2, 620, 622, D7/624.1, 624.2, 625, 701; D9/434, 435, D9/444, 443, 455, 500, 504, 516, 537, D9/711, 752; D12/114, 133, 223, 411, D12/419, 420; D24/127, 128, 197, 199, D24/227

The ornamental design for a silicone sleeve for a tinned can, as shown and described.

CPC A47G 19/2288; A47G 2023/0275; A47G 23/02; A47G 23/0216; A47G 23/0266; B65B 5/04; B65B 17/28; B65B 17/32; B65B 17/4012; B65B 2517/0098; B65B 51/20; B65B 21/083; B65B 81/3879; B65B 81/3881

DESCRIPTION

See application file for complete search history.

FIG. 1 is an isometric view of a silicone sleeve for a tinned can of an embodiment according to the present invention; FIG. 2 is a right side view of the silicone sleeve for a tinned can of FIG. 1; FIG. 3 is a left side view of the silicone sleeve for a tinned can of FIG. 1; FIG. 4 is a top view of the silicone sleeve for a tinned can of FIG. 1; FIG. 5 is a bottom view of the silicone sleeve for a tinned can of FIG. 1; FIG. 6 is a front view of the silicone sleeve for a tinned can of FIG. 1; and, FIG. 7 is the rear view of silicone sleeve for a tinned can of FIG. 1.

(56) **References Cited**

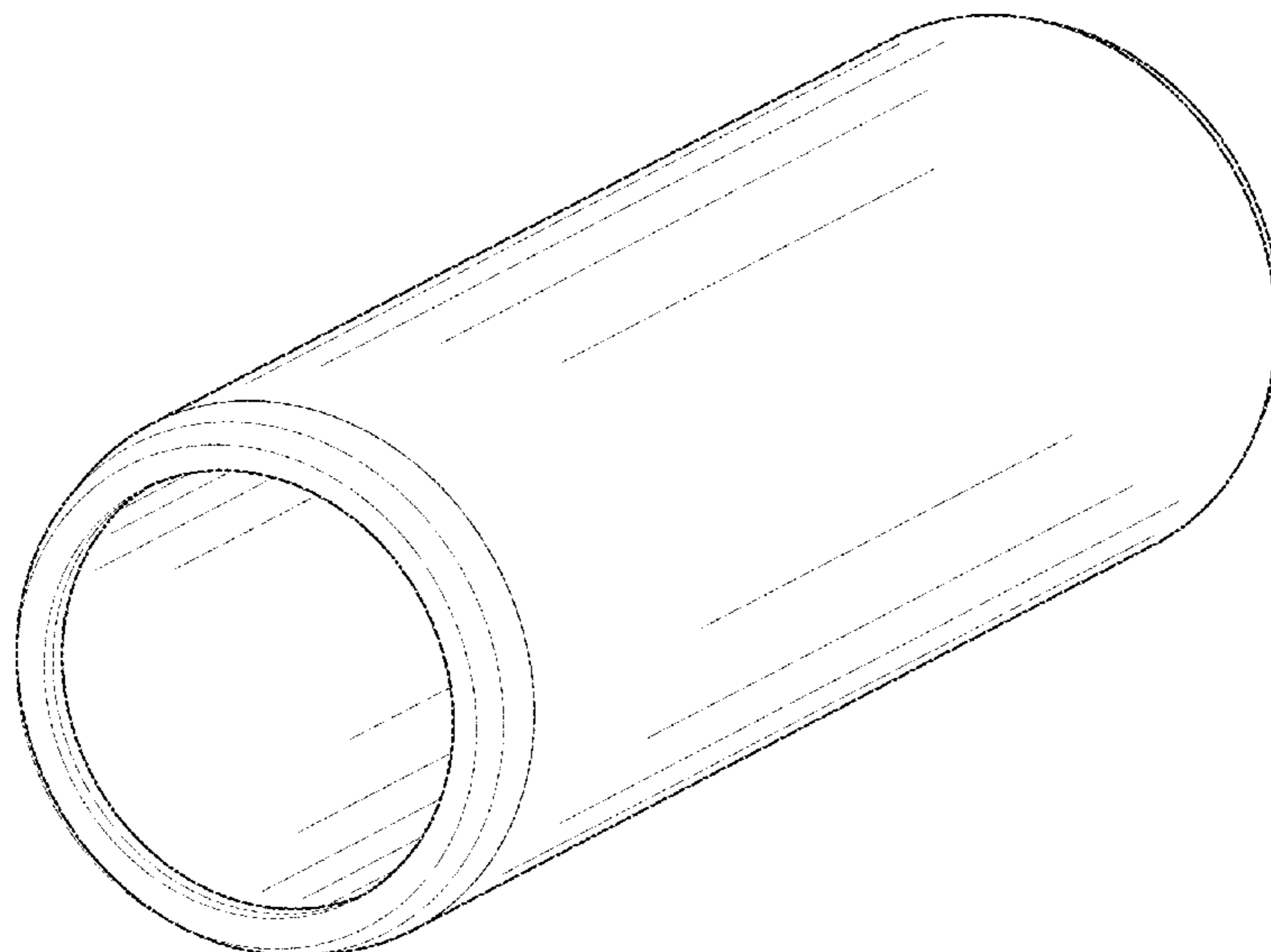
The broken lines depict portions of the silicone sleeve for a tinned can that form no part of the claimed design, and environment that forms no part of the claimed design.

U.S. PATENT DOCUMENTS

3,407,638 A 10/1968 Gries et al.
D244,509 S 5/1977 Jones et al.
D265,709 S 8/1982 Bocuse
4,638,645 A 1/1987 Similia
D311,072 S 10/1990 Martinoni

(Continued)

1 Claim, 6 Drawing Sheets



(56)

References Cited

U.S. PATENT DOCUMENTS

D321,457 S 11/1991 Kahl
 D346,094 S 4/1994 Patterson
 5,467,891 A * 11/1995 Perry B65D 81/3886
 220/739
 D375,870 S * 11/1996 Stonehouse D7/630
 D378,795 S 4/1997 King
 D404,974 S 2/1999 Kristinik
 D442,833 S * 5/2001 Shuman D7/608
 D455,320 S * 4/2002 Edelstein D7/619.1
 D480,927 S 10/2003 Gjersvik
 D506,358 S 6/2005 Lowe
 D589,758 S 4/2009 Mancha et al.
 D621,226 S 8/2010 Trinkle et al.
 7,850,036 B2 12/2010 Cirone
 D675,066 S 1/2013 Conlin et al.
 D685,230 S 6/2013 Hassman
 D719,788 S 12/2014 Soltz et al.
 D727,688 S * 4/2015 Hewitt D7/624.2
 9,022,252 B2 5/2015 Beggins et al.
 D752,397 S * 3/2016 Seiders D7/624.2
 D752,972 S 4/2016 Goldstein et al.
 D758,852 S 6/2016 Schuette
 D779,285 S * 2/2017 Seiders D7/624.2
 D780,529 S 3/2017 Kilby
 D780,533 S * 3/2017 Seiders D7/624.2
 D793,172 S * 8/2017 Medina D7/624.2
 D796,270 S 9/2017 McConnell
 D798,117 S 9/2017 Lyons
 D801,753 S 11/2017 Piper et al.
 D811,172 S 2/2018 Guy et al.

D827,389 S 9/2018 McClure
 D830,787 S 10/2018 Petrillo et al.
 D846,358 S * 4/2019 Winter D7/624.2
 D868,548 S 12/2019 Kerkvliet
 D873,091 S * 1/2020 Jacobsen D7/624.2
 D873,092 S * 1/2020 Jacobsen D7/624.2
 D889,912 S 7/2020 Laukala
 D901,988 S * 11/2020 Jacobsen D7/608
 D902,666 S * 11/2020 Wu D7/624.2
 D902,667 S * 11/2020 Wu D7/624.2
 D908,444 S 1/2021 Pape
 D912,477 S 3/2021 Agha
 D923,428 S * 6/2021 Haas D7/624.2
 D925,994 S * 7/2021 Wadsworth D7/624.2
 2003/0146228 A1 8/2003 Davis et al.
 2010/0038273 A1 2/2010 Johnson
 2015/0096995 A1 4/2015 Cunningham
 2016/0213181 A1 7/2016 Gonzalez, II

FOREIGN PATENT DOCUMENTS

KR 1020060016070 A 2/2006
 KR 300941125 1/2018
 WO 2010004351 A1 1/2010

OTHER PUBLICATIONS

Ezoon 5Pack Silicone Sleeve Hide a Beer Can Cover Wraps Beverage That Look Like Soda Suitable All 12Fl Oz 355ml, Amazon.com, 7 page(s).

* cited by examiner

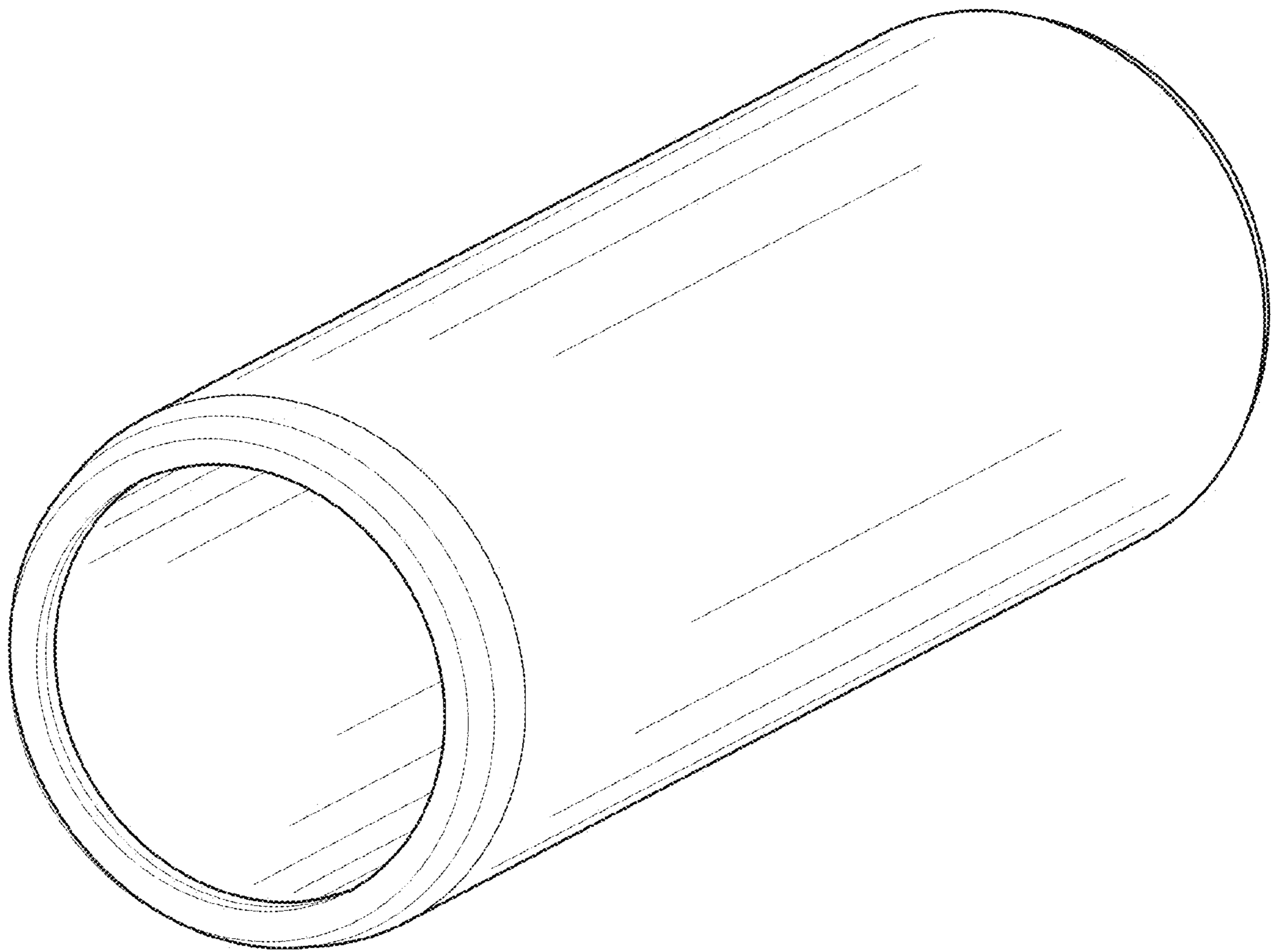


FIG. 1

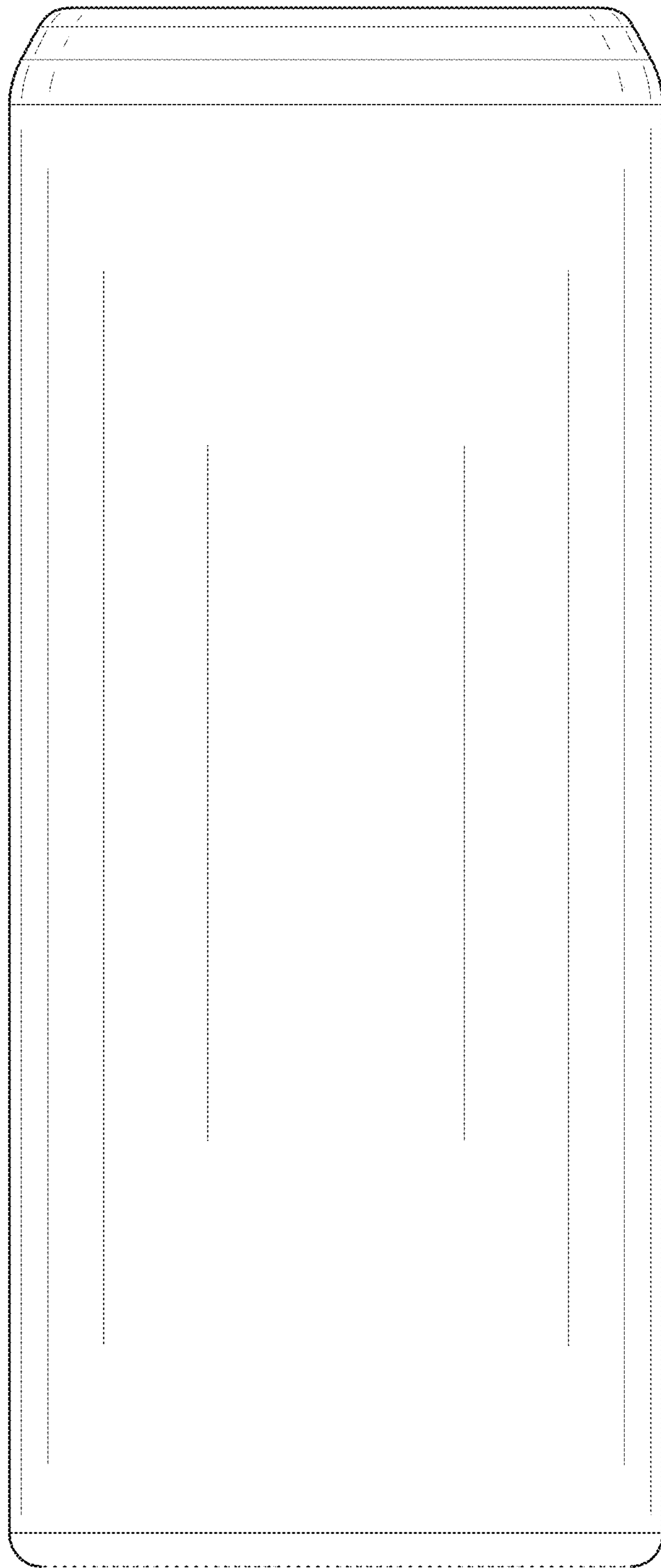


FIG. 2

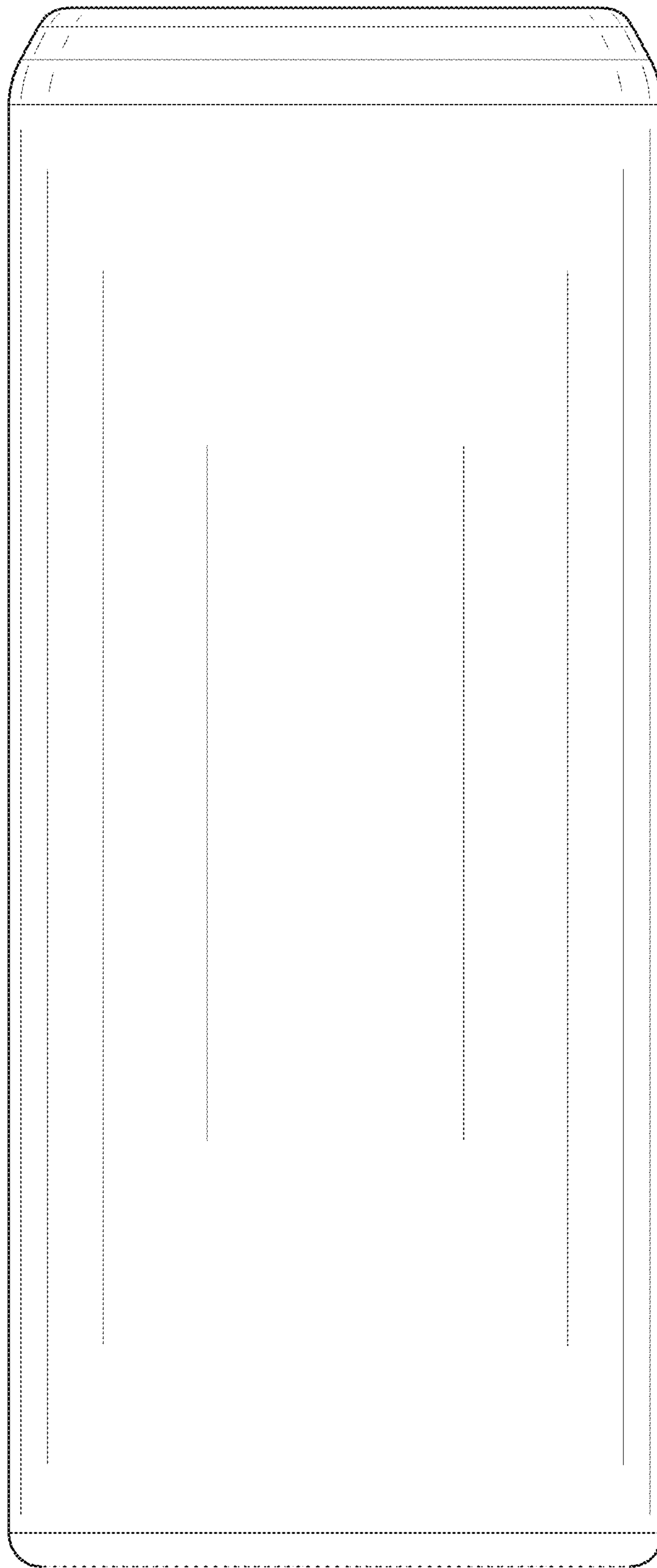


FIG. 3

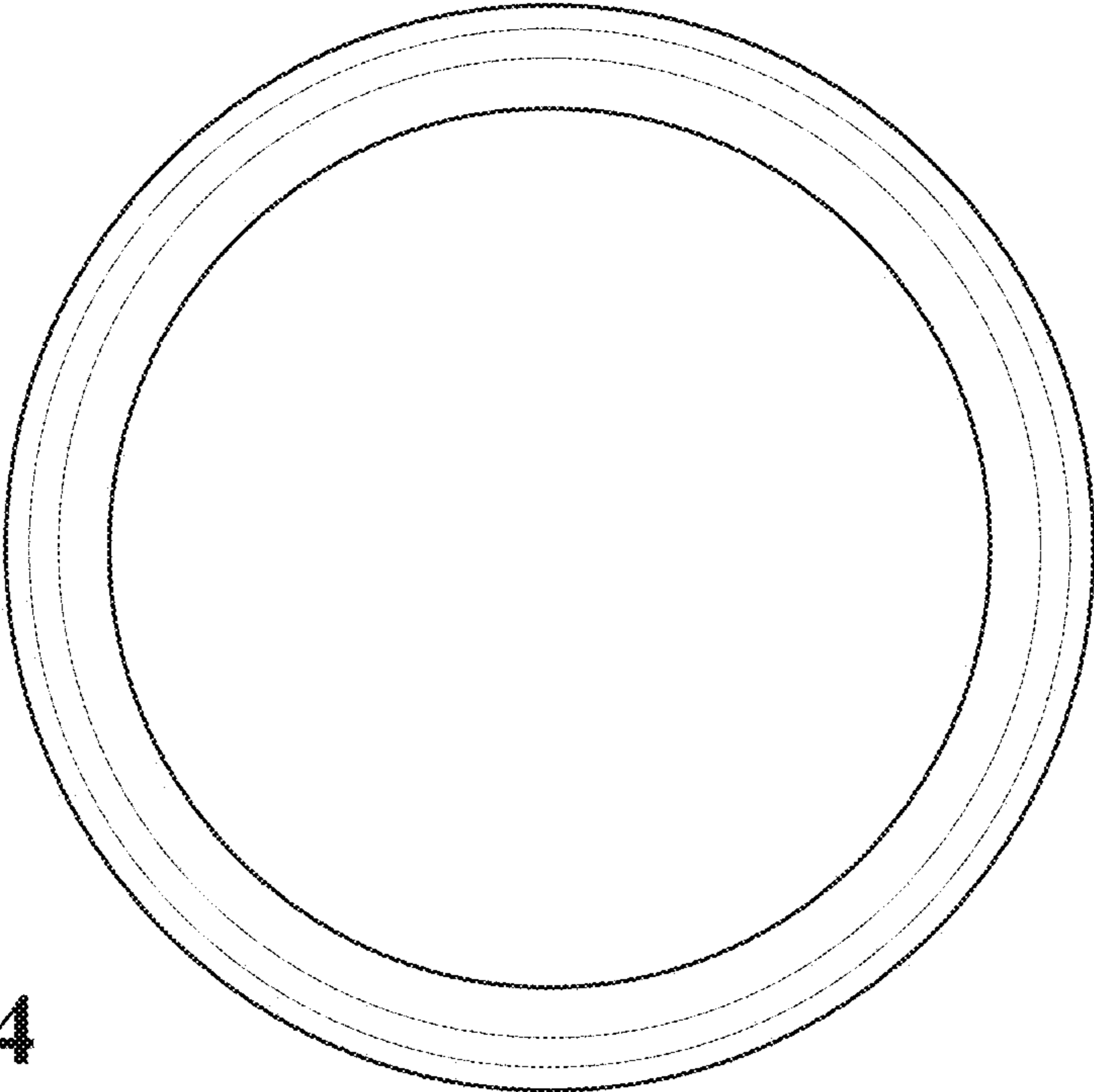


FIG. 4

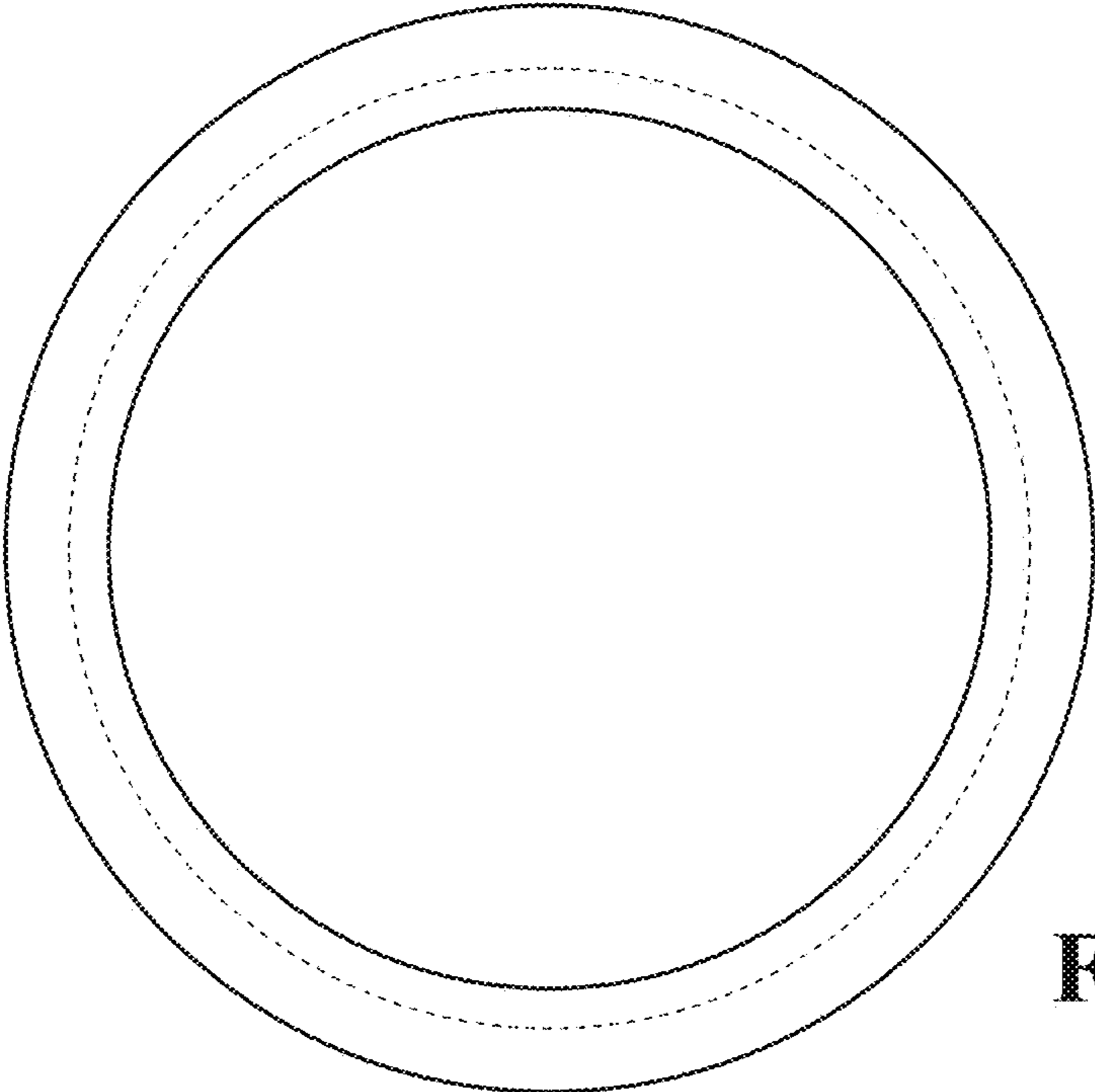


FIG. 5

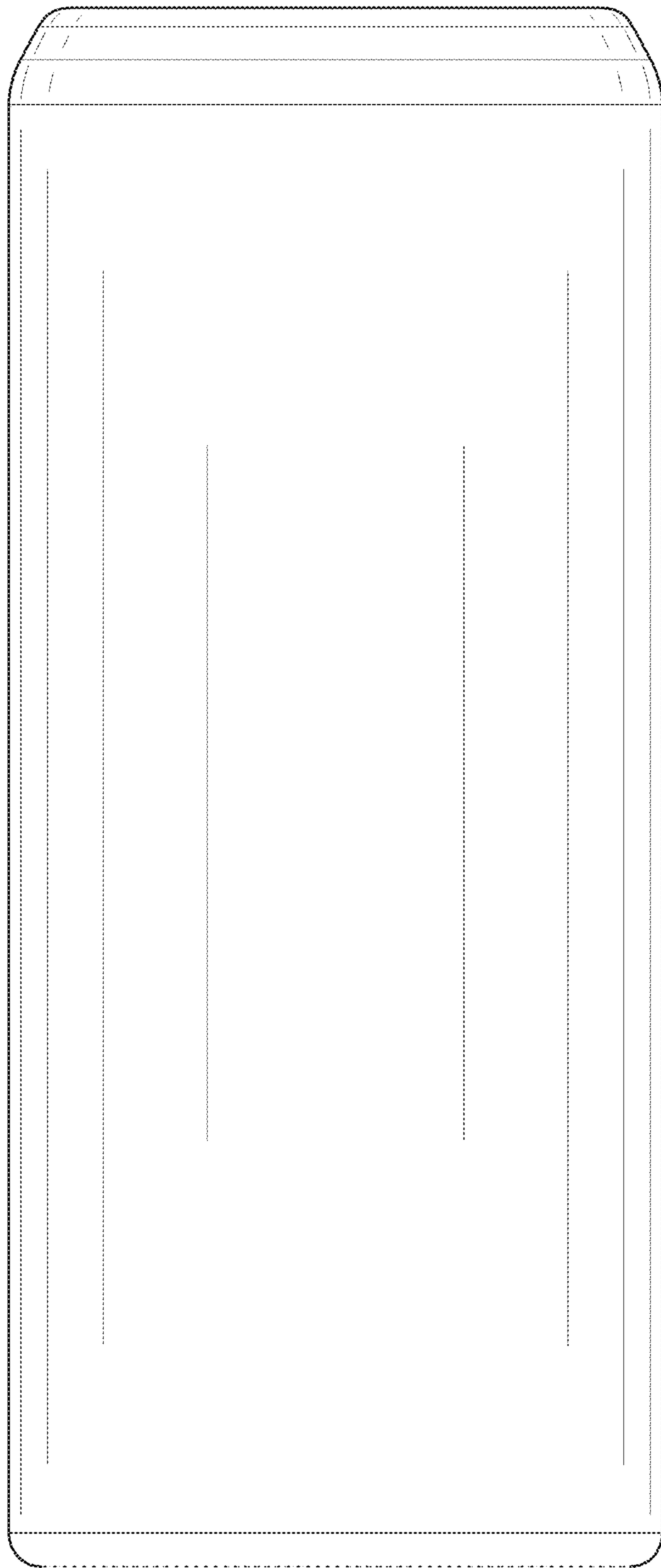


FIG. 6

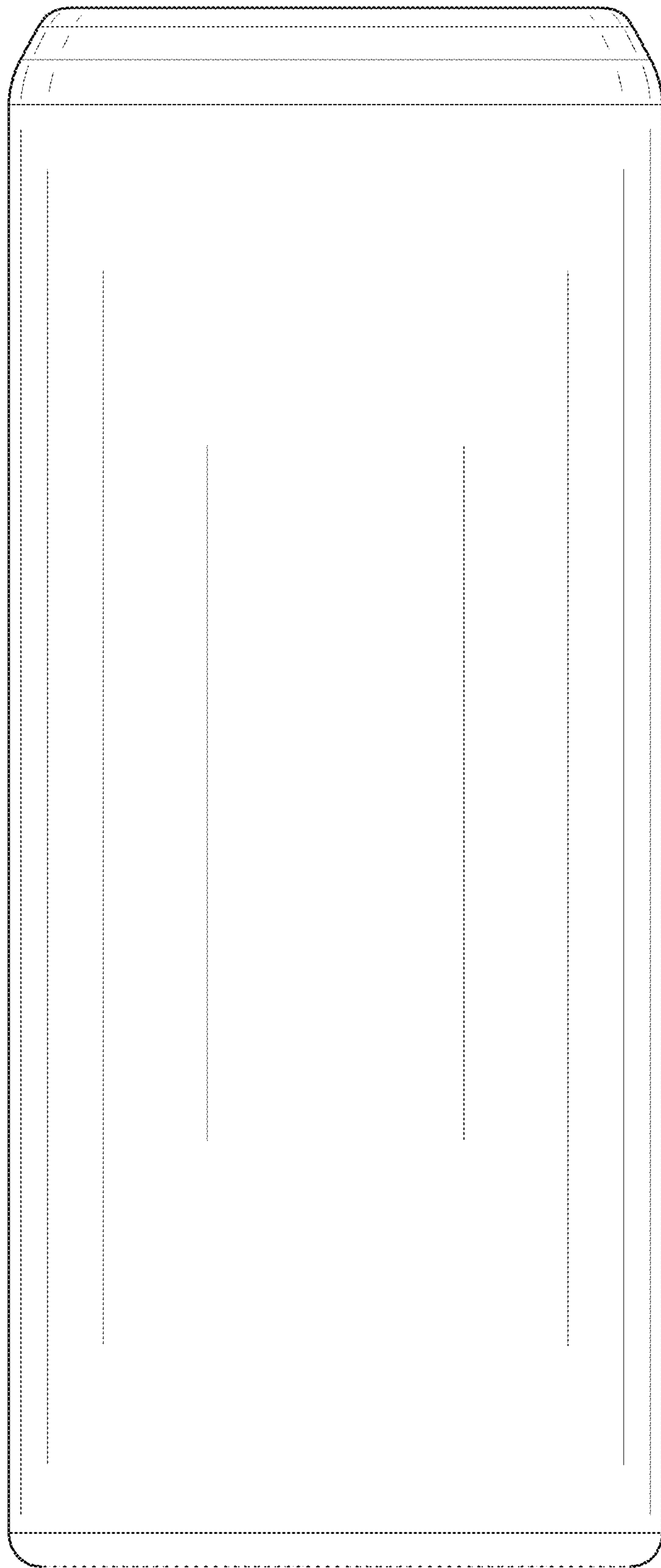


FIG. 7