



US00D973447S

(12) **United States Design Patent**
Seymour

(10) **Patent No.:** **US D973,447 S**

(45) **Date of Patent:** **** Dec. 27, 2022**

- (54) **PORTABLE JAR WARMER**
- (71) Applicant: **NATIONAL PRESTO INDUSTRIES, INC.**, Eau Claire, WI (US)
- (72) Inventor: **Justun C. Seymour**, Eau Claire, WI (US)
- (73) Assignee: **National Presto Industries, Inc.**, Eau Claire, WI (US)
- (**) Term: **15 Years**
- (21) Appl. No.: **29/749,451**
- (22) Filed: **Sep. 4, 2020**
- (51) **LOC (13) Cl.** **07-02**
- (52) **U.S. Cl.**
USPC **D7/608**
- (58) **Field of Classification Search**
USPC D7/300, 300.1, 312, 313, 354, 355, 360, D7/361, 387, 391, 392, 396.2, 509, 510, D7/511, 512, 513, 523, 533, 536, D7/601-608, 619.1, 622, 624.1-624.3, D7/625, 629, 630, 709; D3/202, D3/215-217, 272-274, 276, 279, 283, D3/284, 294, 295, 299, 301, 318, 327; D15/81, 83
CPC A45C 11/20; A47J 27/002; A47J 27/004; A47J 36/10; A47J 36/24; A47J 36/2483; A47J 36/32
See application file for complete search history.

- D585,238 S * 1/2009 Tseng D7/361
 - D622,089 S * 8/2010 Daniel D7/313
 - D651,050 S * 12/2011 Goshi D7/629
 - D660,657 S * 5/2012 Picozza D7/629
- (Continued)

OTHER PUBLICATIONS

Design No. 303462854, May 14, 2015—China National Intellectual Property Administration (CNIPA) Publication Date—Nov. 25, 2015 Owner—Lao Baiqiang, Designer—Xie zhichun WIPO, available at <https://www3.wipo.int/designdb/en/index.jsp> (Year: 2015).*

(Continued)

Primary Examiner — Mary Ann Calabrese
Assistant Examiner — Natalya M Rapundalo
(74) *Attorney, Agent, or Firm* — Kenneth A. Smith

(57) **CLAIM**

I claim the ornamental design for a portable jar warmer, as shown and described.

DESCRIPTION

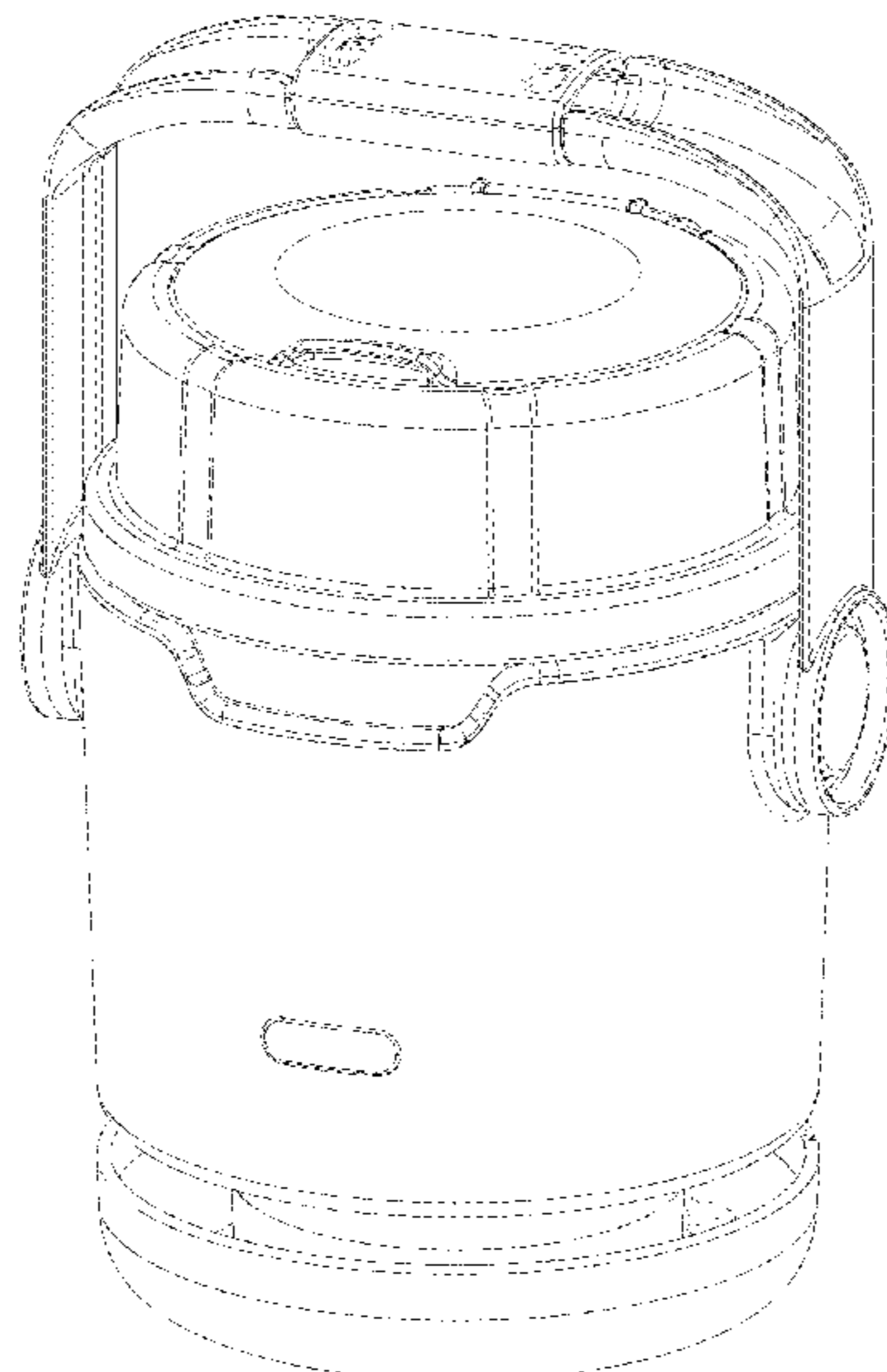
FIG. 1 is a top, front perspective view of a portable jar warmer in accordance with my new design.
FIG. 2 is a front view of the portable jar warmer depicted in FIG. 1.
FIG. 3 is a left, side view of the portable jar warmer depicted in FIG. 1.
FIG. 4 is a rear view of the portable jar warmer depicted in FIG. 1.
FIG. 5 is a right, side view of the portable jar warmer depicted in FIG. 1.
FIG. 6 is a top view of the portable jar warmer depicted in FIG. 1; and,
FIG. 7 is a bottom view of the portable jar warmer depicted in FIG. 1.
The broken lines in the drawings illustrate portions of the portable jar warmer that form no part of the claimed design.

1 Claim, 7 Drawing Sheets

(56) **References Cited**

U.S. PATENT DOCUMENTS

- D157,637 S * 3/1950 Shawver D7/608
- D170,302 S * 9/1953 Cabot D7/608
- D261,088 S * 10/1981 Akimov D9/532
- D294,110 S * 2/1988 Kenyon D7/360
- D372,172 S * 7/1996 Morales Segura D7/709
- D540,626 S * 4/2007 Janky D7/629



(56)

References Cited

U.S. PATENT DOCUMENTS

D711,679 S * 8/2014 Day B65D 81/3841
D7/354
D784,093 S * 4/2017 Boroski D7/629
D809,924 S * 2/2018 Miros D9/532
D867,826 S * 11/2019 Shah D7/630
2014/0091097 A1* 4/2014 Lane B65D 81/3841
220/592.2
2021/0120929 A1* 4/2021 Victor A45C 11/20

OTHER PUBLICATIONS

Presto 06015 Nomad Mason Jar Traveling Food Warmer, first available Jun. 2, 2021, Amazon, [online], [site visited Mar. 15, 2022], Available from internet URL: <https://www.amazon.com/Presto-06015-Nomad-Traveling-Warmer/dp/B096G68SPS> (Year: 2021).*

Crockpot Lunch Crock Food Warmer, Crock Pot, [online], [site visited Mar. 15, 2022], Available from internet URL: https://www.crock-pot.com/collections/lunch-crock/crockpot-lunch-crock-food-warmer-black-sky-blue/SAP_SCCPLC200BKSH.html (Year: 2022).*

Elite Gourmet Warmables Lunch Box, Maxi-Matic, [online], [site visited Mar. 15, 2022], Available from internet URL: <https://shopelitegourmet.com/products/elite-gourmet-warmables-lunch-box-efw-6080r?variant=34810959397022> (Year: 2022).*

Milton Futron Stainless Steel Electric Lunch Box, Amazon (India), [online], [site visited Apr. 6, 2022], Available from internet URL: <https://www.amazon.in/Milton-Futron-Plastic-Electric-Tiffin/dp/B01N0D4JVI> (Year: 2022).*

* cited by examiner

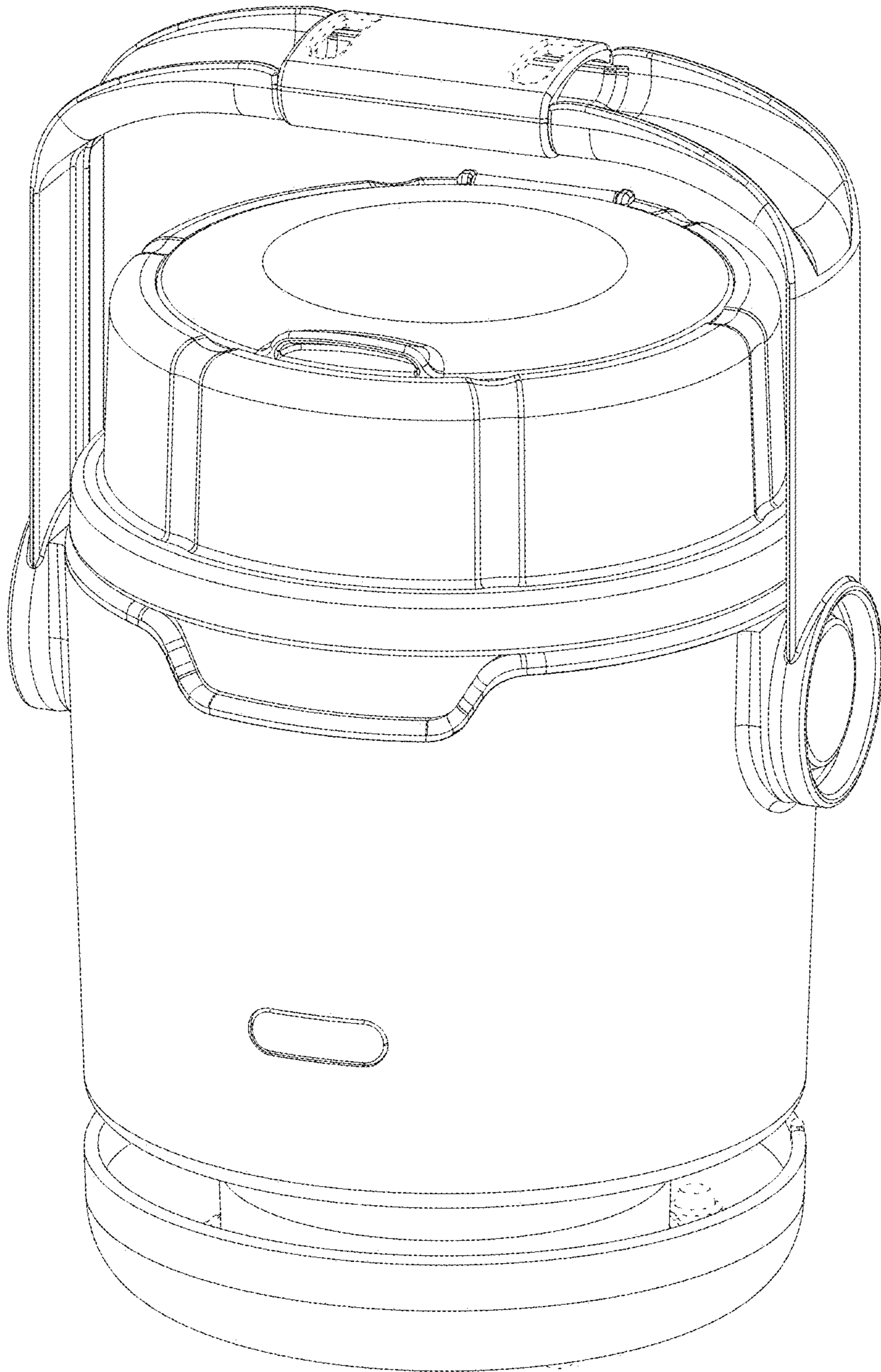


Fig. 1

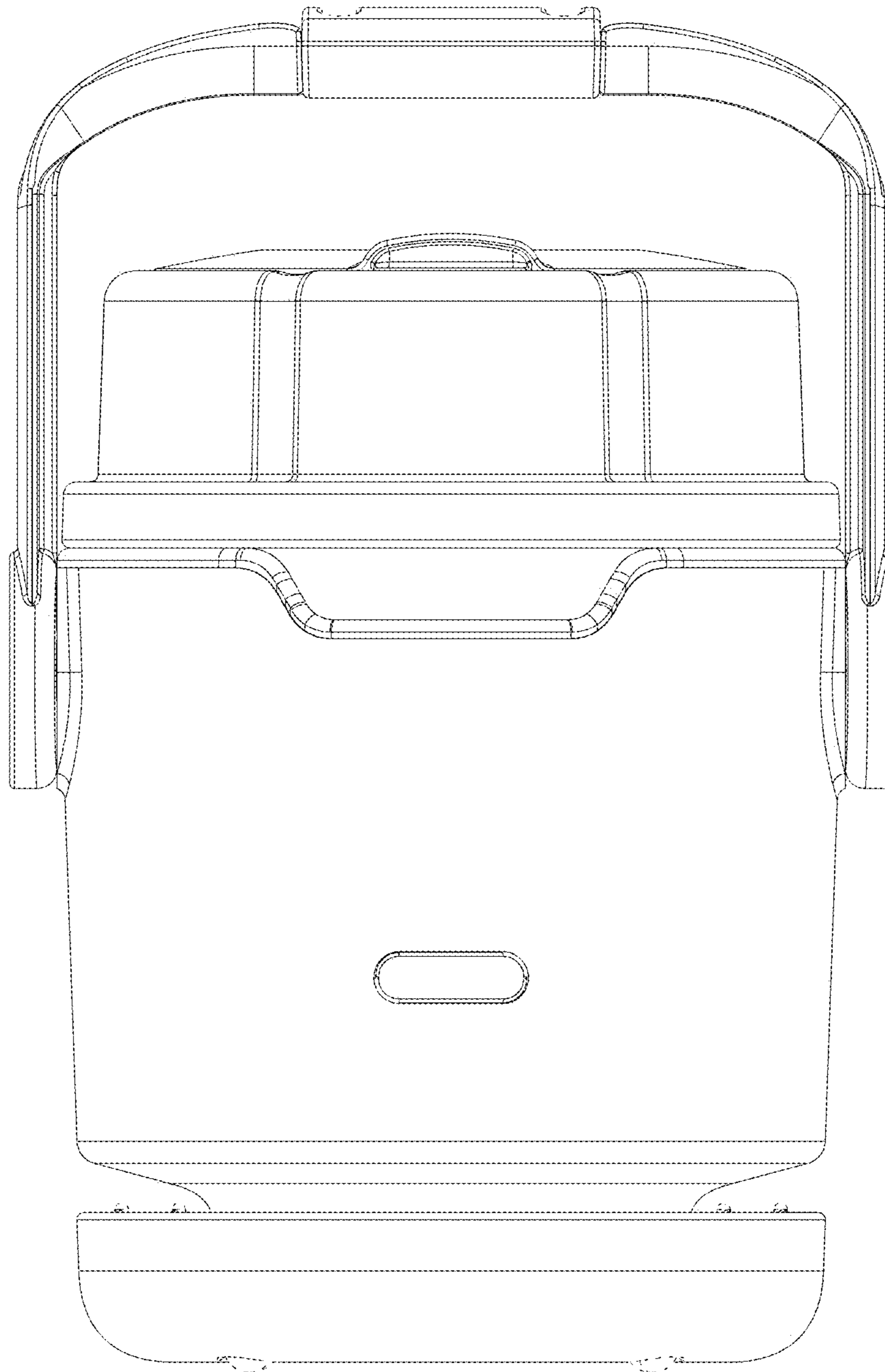


Fig. 2

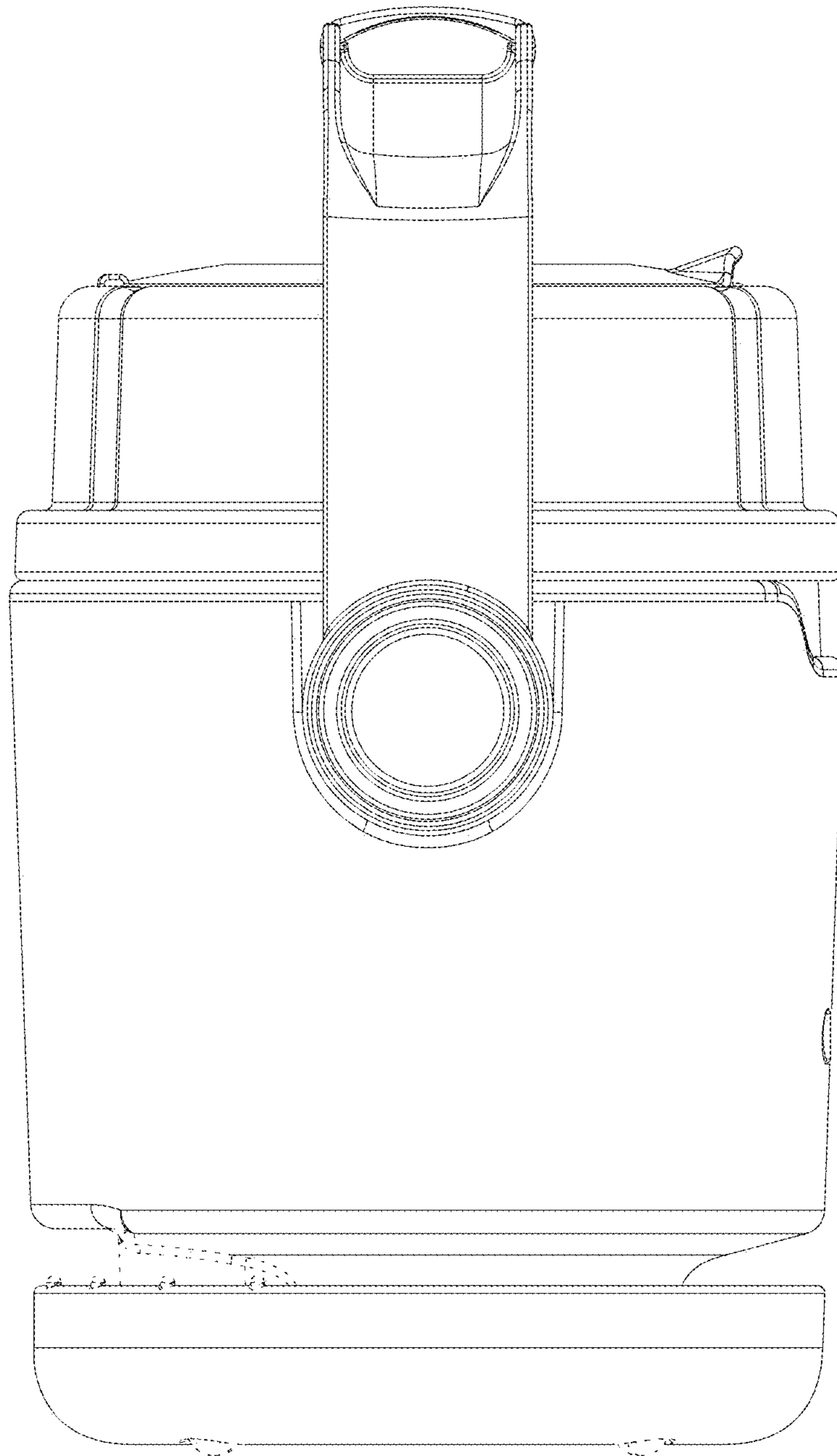


Fig. 3

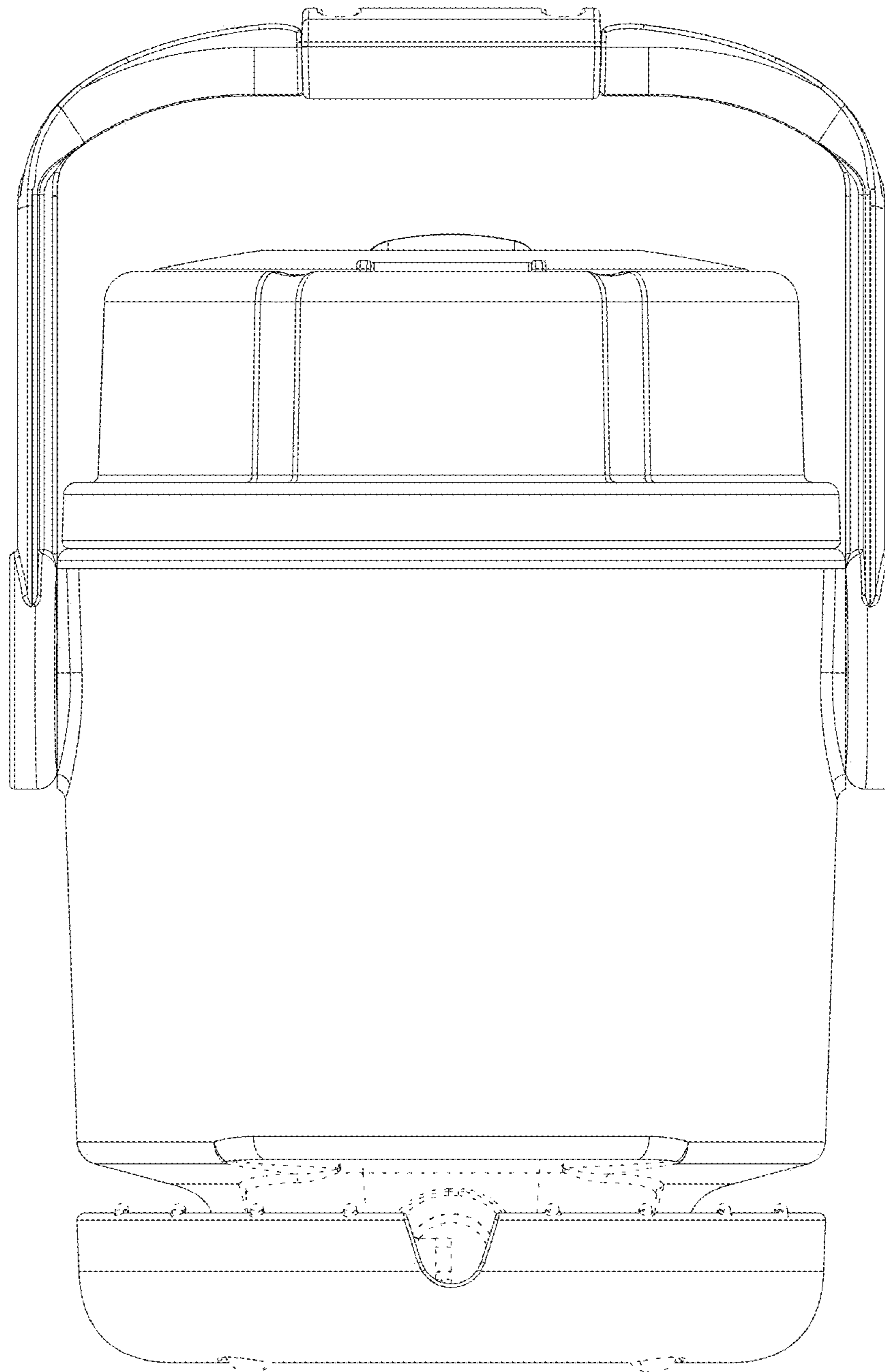


Fig. 4

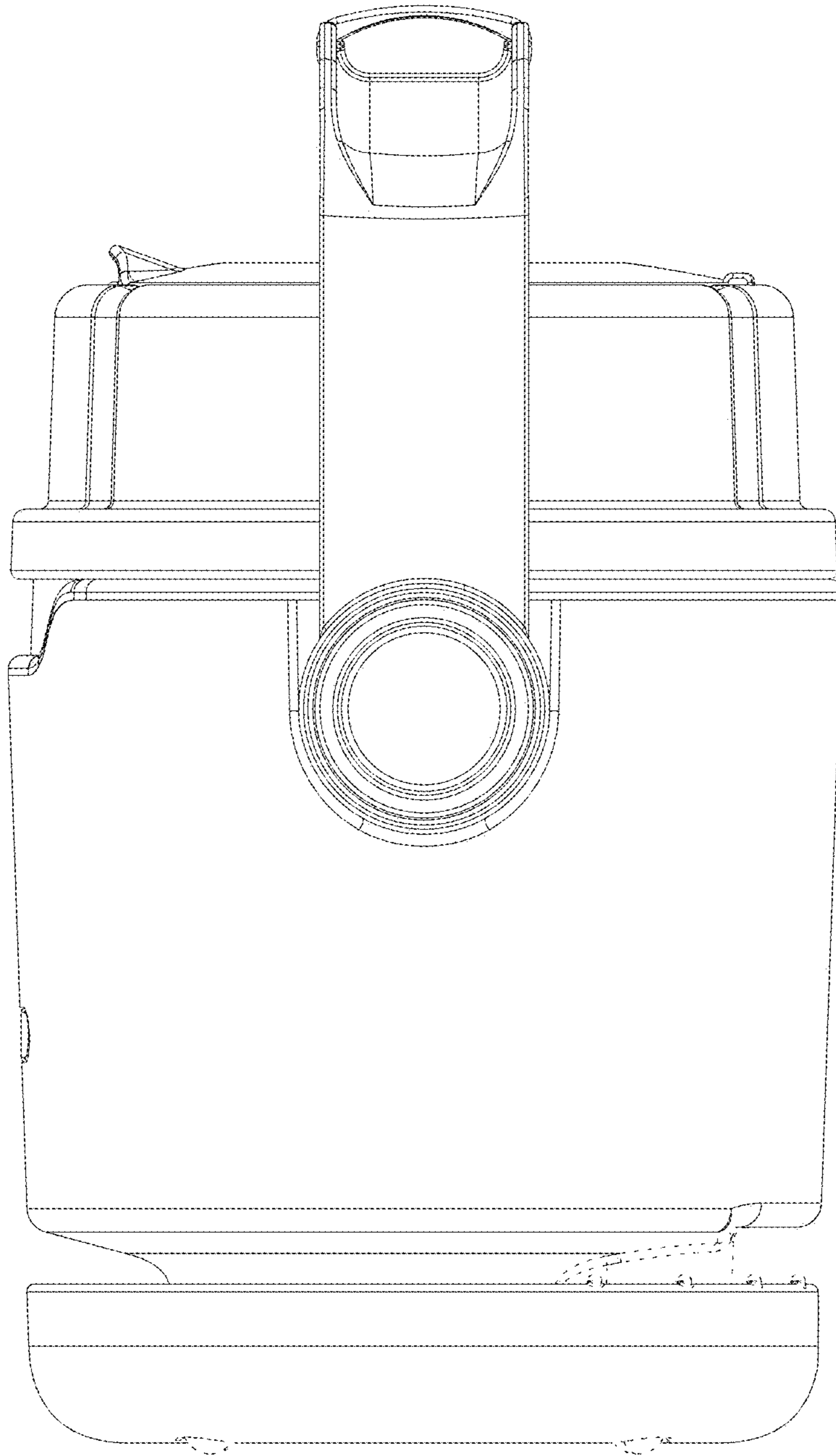


Fig. 5

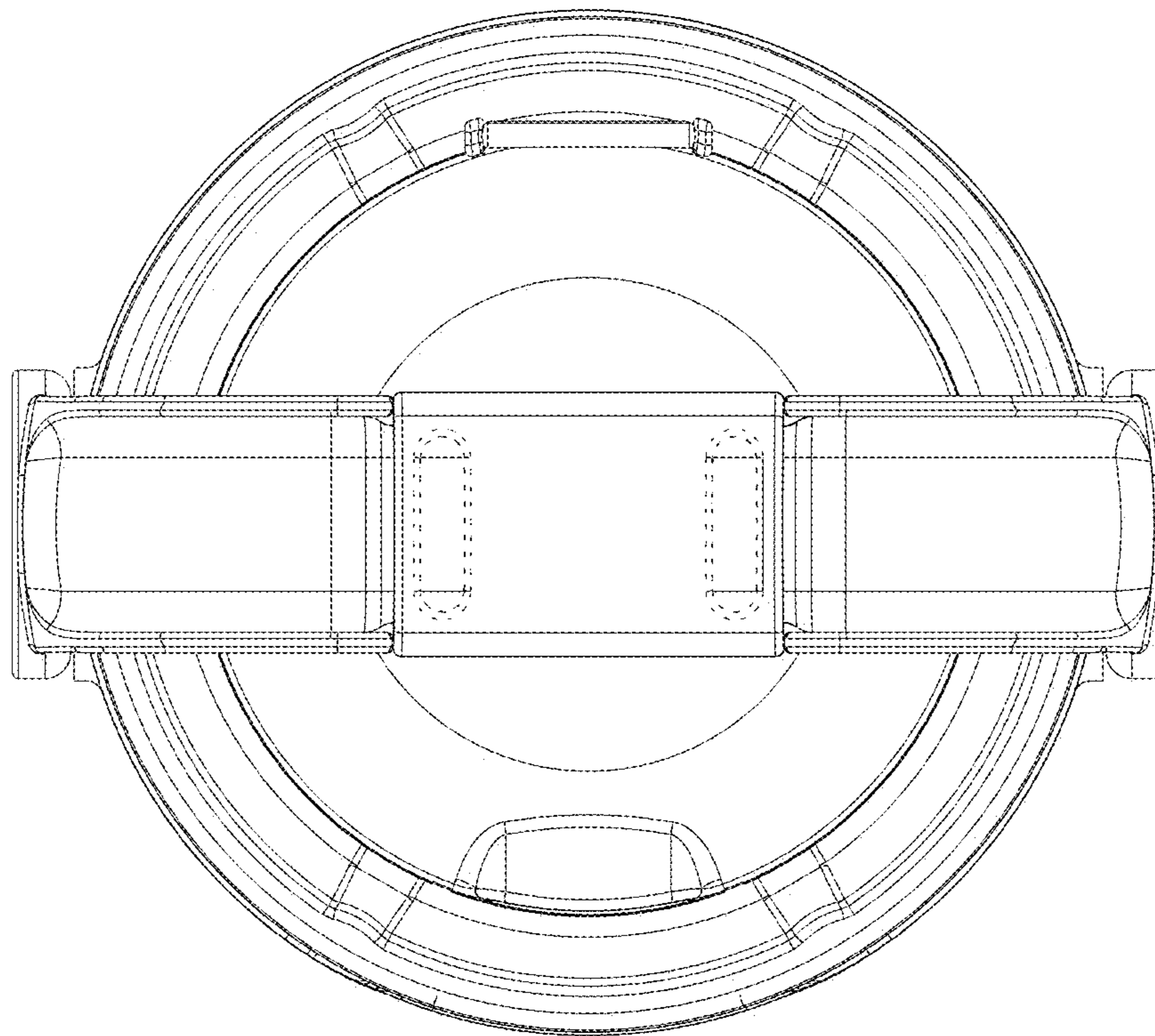


Fig. 6

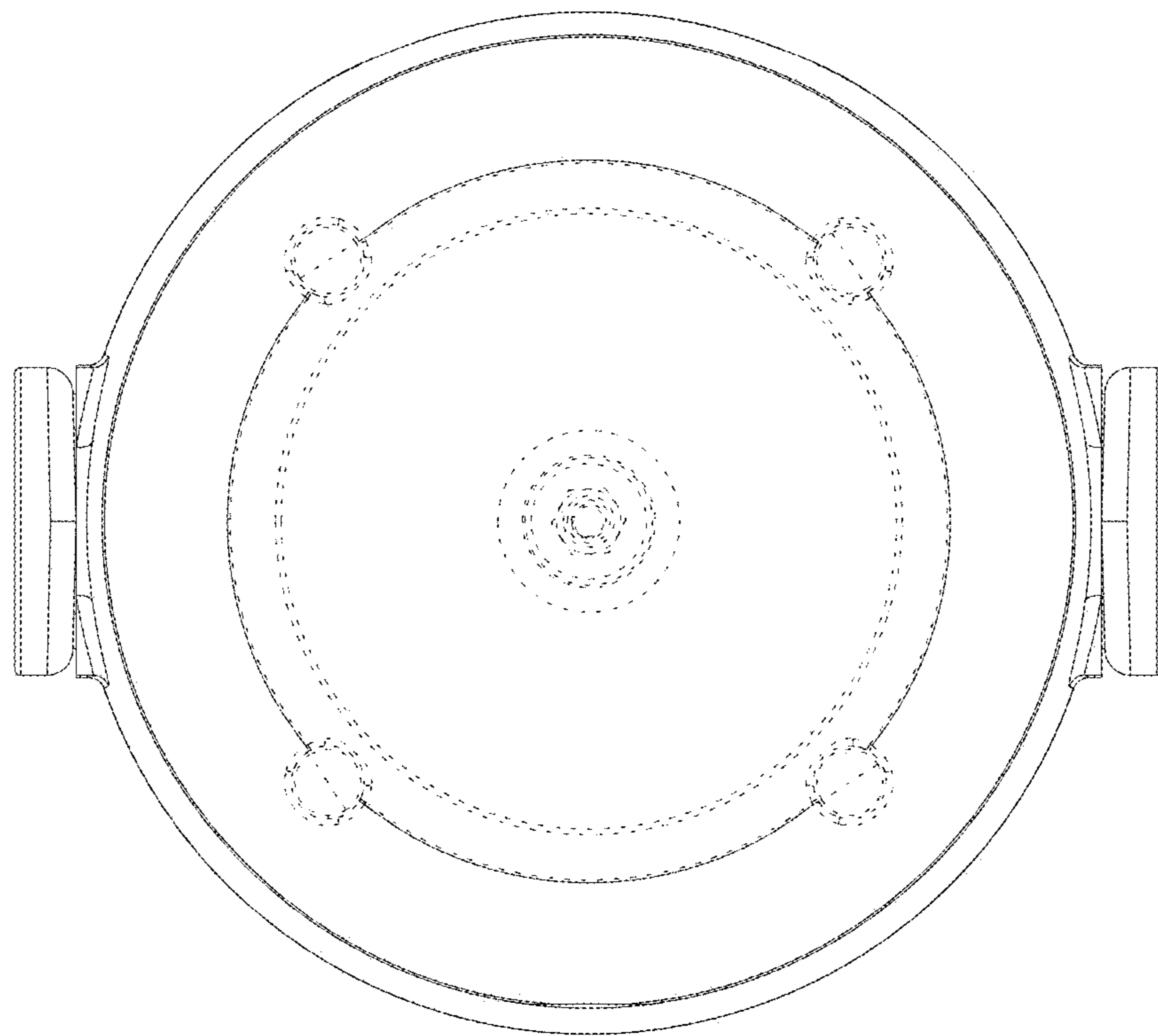


Fig. 7