



US00D973445S

(12) **United States Design Patent** (10) **Patent No.:** **US D973,445 S**
Kim (45) **Date of Patent:** **** Dec. 27, 2022**

- (54) **SUCTION CHILD'S DISH**
- (71) Applicant: **Helen of Troy Limited**, St. Michael (BB)
- (72) Inventor: **Sunny Kim**, Douglaston, NY (US)
- (73) Assignee: **Helen of Troy Limited**, St. Michael (BB)
- (**) Term: **15 Years**
- (21) Appl. No.: **29/724,324**
- (22) Filed: **Feb. 14, 2020**

D265,280 S	7/1982	Conti	
D297,799 S	9/1988	Hammer	
4,823,958 A	4/1989	Mahmud	
D303,194 S *	9/1989	Darby D7/557
5,441,164 A	8/1995	Beck	
5,593,062 A *	1/1997	Martin A47G 19/065 220/575
D401,810 S	12/1998	Swift	
D402,851 S	12/1998	Stauffer	
D547,127 S *	7/2007	Haughton D7/553.6
D568,110 S *	5/2008	Epstein D7/553.6
D593,364 S	6/2009	Harris	
D601,310 S	9/2009	Greenan	

(Continued)

- Related U.S. Application Data**
- (62) Division of application No. 29/613,876, filed on Aug. 14, 2017, now Pat. No. Des. 878,154.
 - (51) **LOC (13) Cl.** **07-01**
 - (52) **U.S. Cl.**
USPC **D7/553.6; D7/553.8; D7/557**
 - (58) **Field of Classification Search**
USPC D7/507, 509, 510, 511, 392.1, 396.2, D7/400, 398, 213, 393, 394, 397, 514, D7/515, 389, 581, 401.1, 602, 600.1, 387, D7/524, 528, 601, 632, 505, 607, 550.1, D7/555, 553.8, 557; 220/200, 703; D9/434, 435, 436, 447, 448, 635, 440, D9/439, 450, 446, 443; D24/197; D21/385, 386, 390; D99/34, 35; D11/1, D11/2, 3, 4, 6, 16, 17
CPC B65D 41/56; B65D 41/04; B65D 41/0414; A47J 43/27; A47J 11/02; A47J 9/02; A47J 11/045; A45F 3/16
See application file for complete search history.

- (56) **References Cited**
U.S. PATENT DOCUMENTS
D102,968 S 1/1937 Farber
2,813,509 A 11/1957 Bruno
D248,077 S 6/1978 Daenen

OTHER PUBLICATIONS

https://www.amazon.com/OXO-Tot-Suction-Divided-Bundle/dp/B07PRZT3ZZ/ref=sr_1_4?crd=2U02S3RXFAUVS&keywords=oxo%2Bsuction%2Bbowl&qid=1659975505&sprefix=oxo%2Bsuction%2Bbowl%2B%2Caps%2C149&sr=8-4&th=1 Jan. 8, 2019 (Year: 2019).*

(Continued)

Primary Examiner — Jae Liang
(74) *Attorney, Agent, or Firm* — Rankin, Hill & Clark LLP

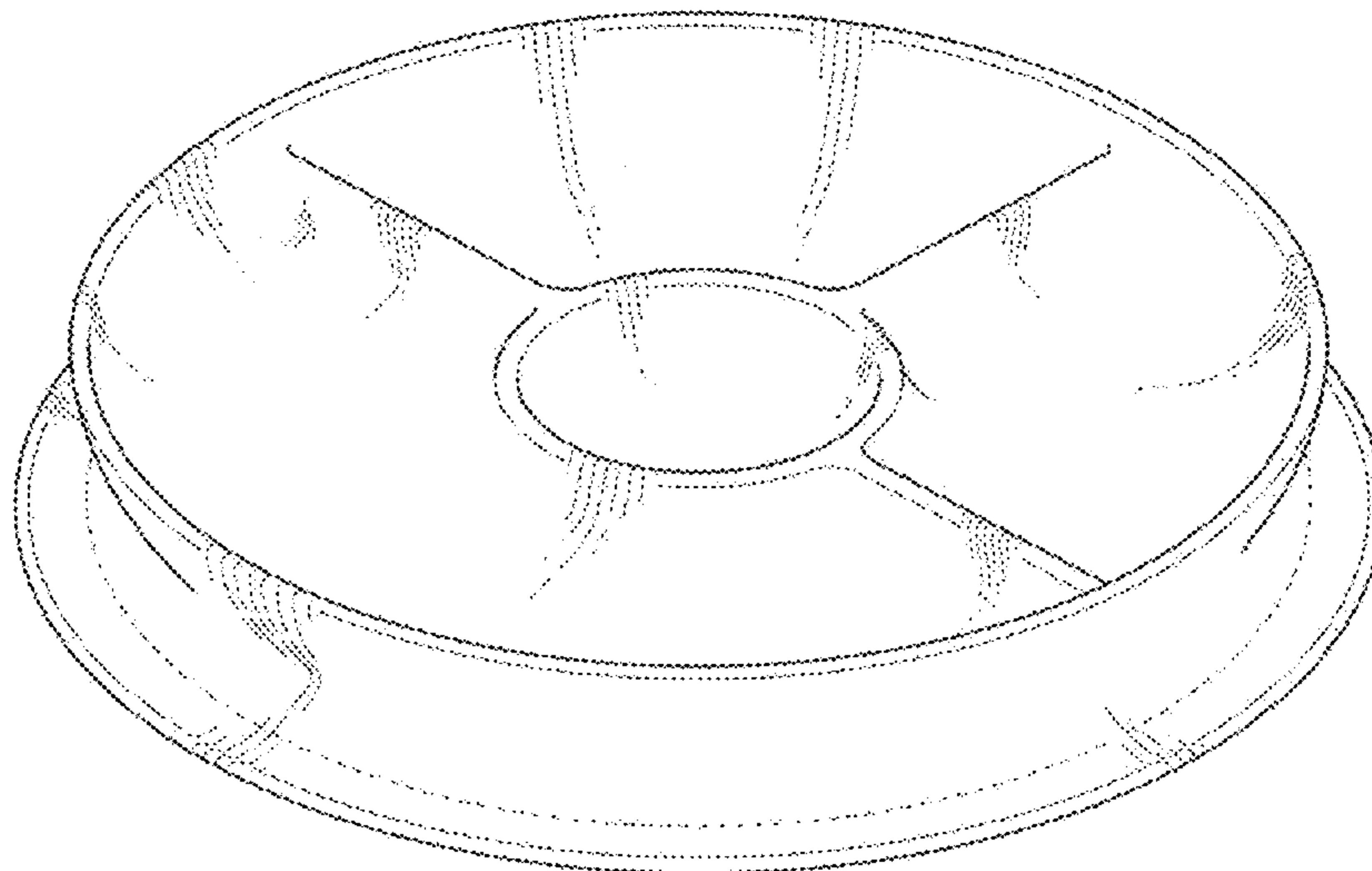
(57) **CLAIM**

The ornamental design for a suction child's dish, as shown and described.

DESCRIPTION

FIG. 1 is a perspective view of a suction child's dish; FIG. 2 is a front elevation view thereof; FIG. 3 is a rear elevation view thereof; FIG. 4 is a right side elevation view thereof; FIG. 5 is a left side elevation view thereof; FIG. 6 is a top plan view thereof; and, FIG. 7 is a bottom plan view thereof. The broken lines in the drawings depict portions of the suction child's dish that form no part of the claimed design.

1 Claim, 7 Drawing Sheets



(56)

References Cited

U.S. PATENT DOCUMENTS

D609,058 S * 2/2010 Roth D7/602
 D630,469 S 1/2011 Cagani
 D651,513 S 1/2012 Baker
 D670,451 S 11/2012 Able
 D727,090 S 4/2015 St. Jacques
 D732,891 S 6/2015 Bonilla
 9,101,237 B2 8/2015 Artsvelyan
 D742,698 S 11/2015 Kellow, Jr.
 D747,151 S * 1/2016 Liming D7/553.6
 9,265,370 B2 2/2016 Kellow, Jr.
 D750,939 S 3/2016 Kellow, Jr.
 D767,941 S 10/2016 Laurain
 D774,361 S 12/2016 Laurain
 D781,659 S 3/2017 Kellow, Jr.
 D801,122 S * 10/2017 Haddad D7/555
 D807,705 S 1/2018 Laurain
 D812,433 S 3/2018 Kwok
 D817,762 S 5/2018 French
 D836,990 S 1/2019 Hakim
 D837,607 S * 1/2019 Dwork D7/584

D840,192 S 2/2019 Khayman
 D850,858 S * 6/2019 Roaks D7/505
 D878,154 S * 3/2020 Kim D7/505
 D924,008 S * 7/2021 Kim D7/505
 D927,933 S * 8/2021 Cao D7/505
 D931,054 S * 9/2021 Miller D7/557
 2005/0229793 A1 10/2005 Wengrovsky
 2012/0017837 A1 1/2012 Crawford
 2018/0199542 A1 7/2018 Foster
 2018/0343826 A1 12/2018 Kumar

OTHER PUBLICATIONS

https://www.amazon.com/dp/B084DW8CKW?ref_=cm_sw_r_cp_ud_dp_2N841ZE7P917PM4N79XY Aug. 31, 2020 (Year: 2020).
https://www.amazon.com/ezpz-Happy-Bowl-One-piece-silicone/dp/B00VAXZ8VW/ref=sr_1_14_sspa?keywords+EZPZ&qid=1559685621&s=home-garden&sr=1-14-spoon&th=1 EZPZ (Year: 2015).
https://www.amazon.com/CaliBowl-Non-Spill-Toddler-Suction-Base-12-Ounce/dp/B006K39160/ref=sr_1_3?keywords=CaliBowl&qid=1559688445&s=gateway&sr=8-3 CaliBowl (Year: 2009).

* cited by examiner

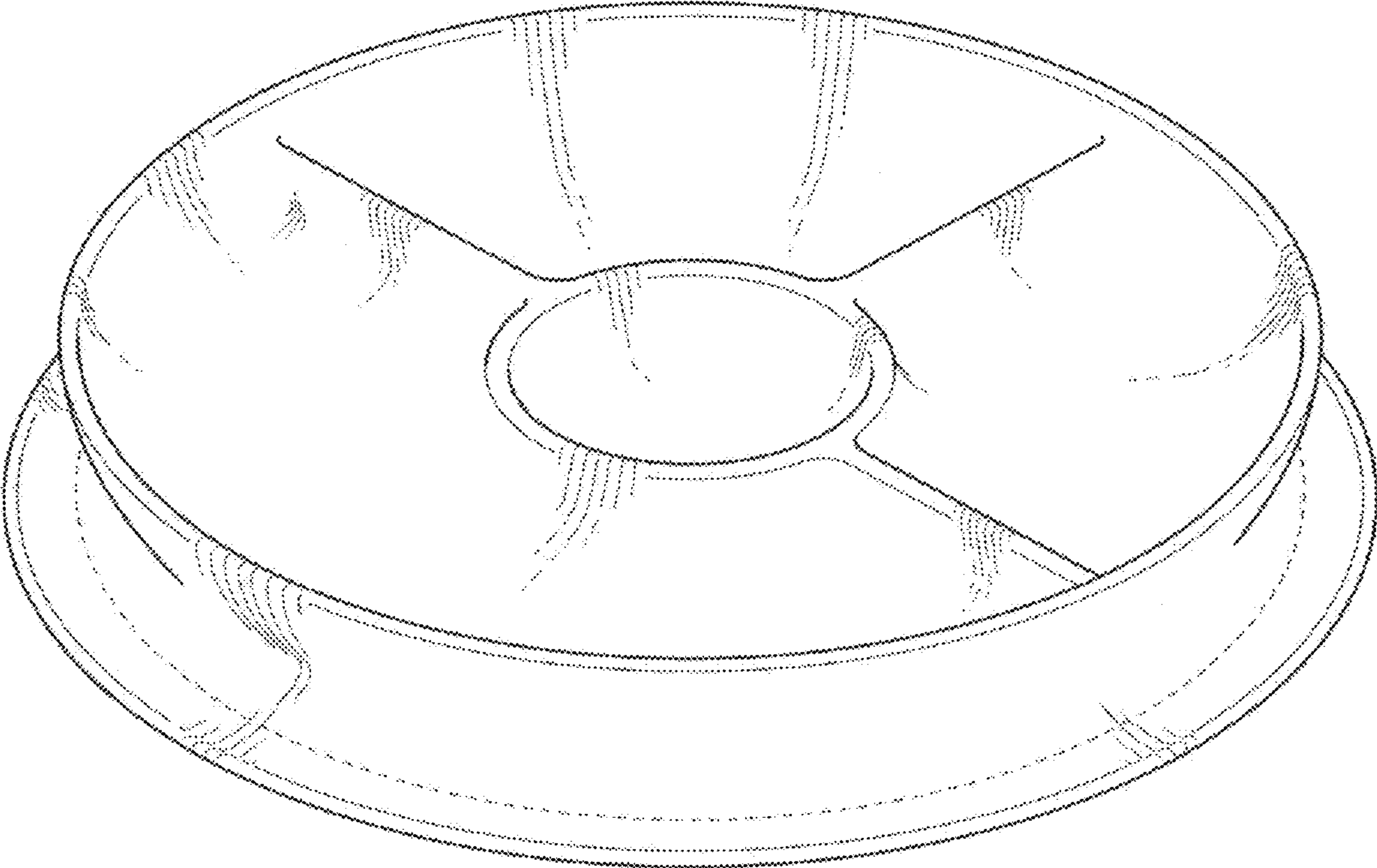


FIG. 1

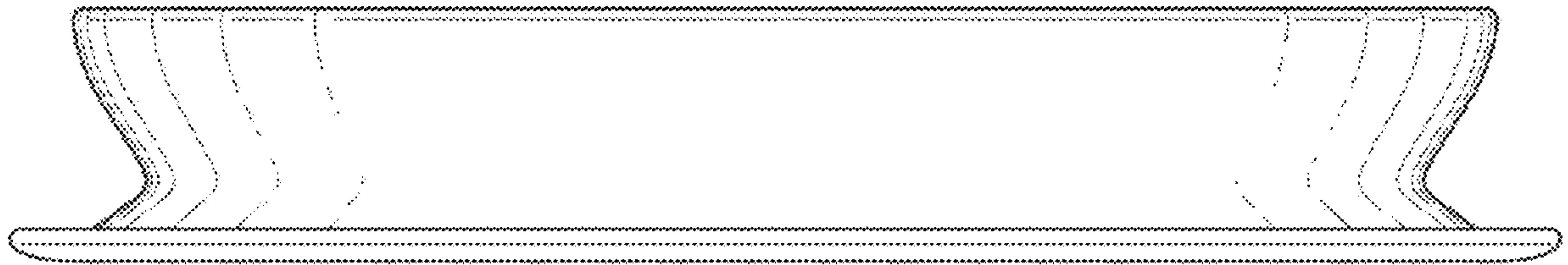


FIG. 2

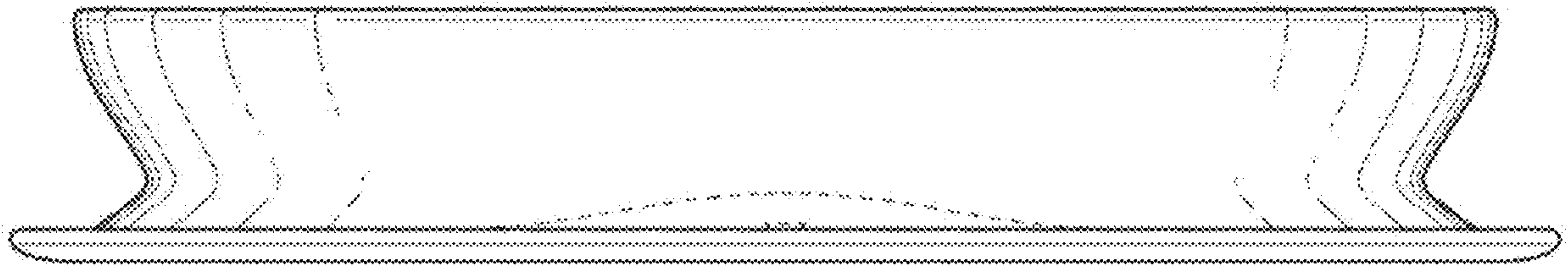


FIG. 3

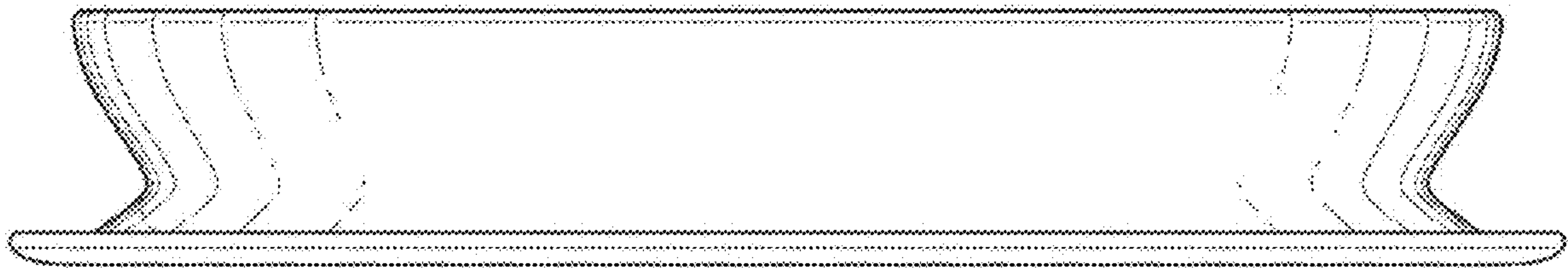


FIG. 4

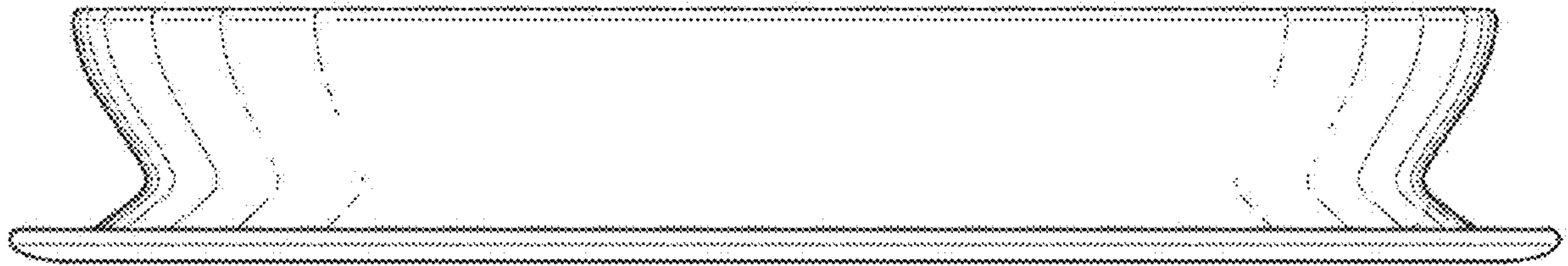


FIG. 5

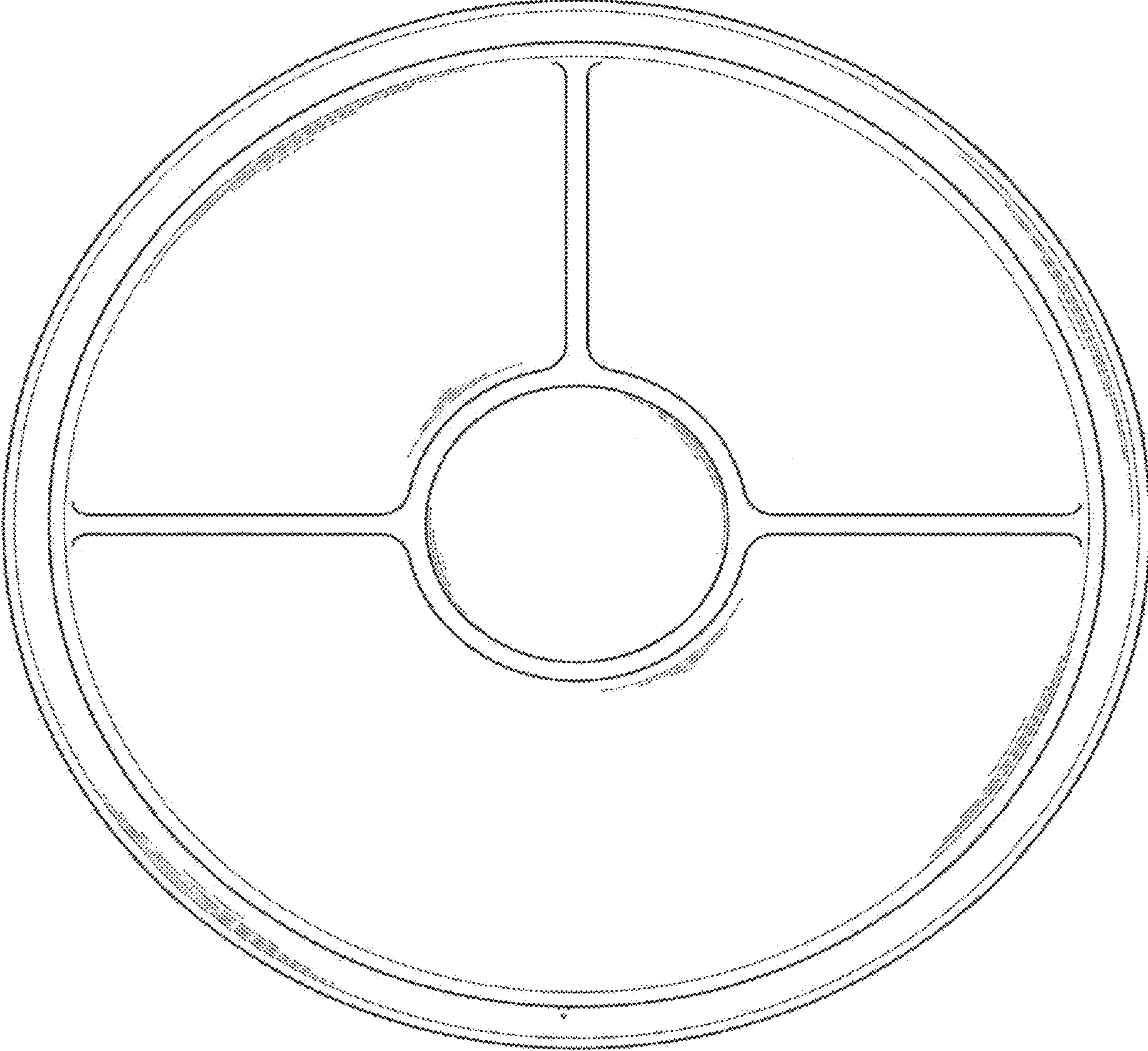


FIG. 6

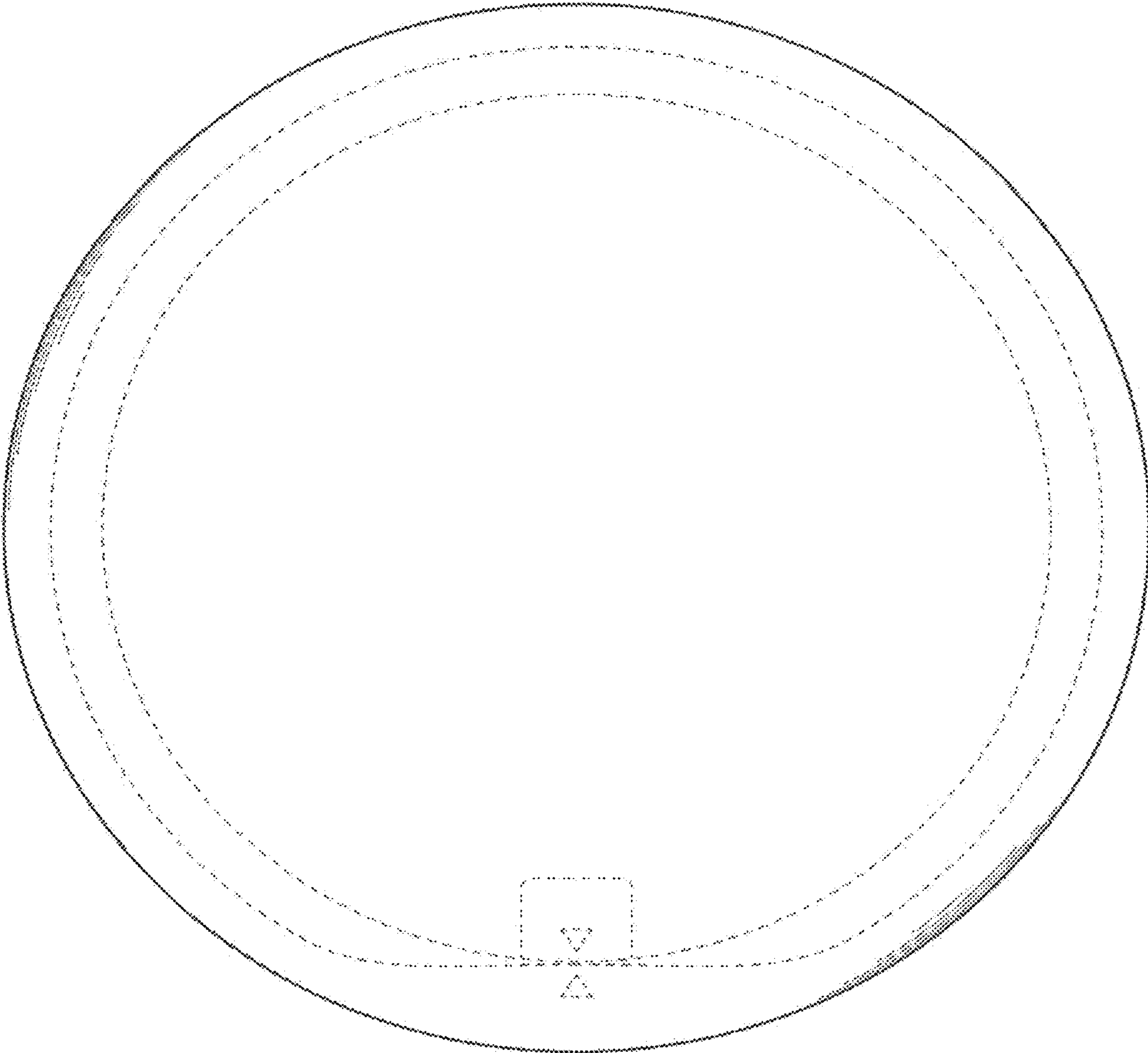


FIG. 7