

US00D973444S

(12) **United States Design Patent**  
**Tang**

(10) **Patent No.:** **US D973,444 S**

(45) **Date of Patent:** **\*\* Dec. 27, 2022**

- (54) **TRAY**
- (71) Applicant: **Li Tang**, Chongqing (CN)
- (72) Inventor: **Li Tang**, Chongqing (CN)
- (\*\*) Term: **15 Years**
- (21) Appl. No.: **29/845,689**
- (22) Filed: **Jul. 8, 2022**
- (51) **LOC (13) Cl.** ..... **07-01**
- (52) **U.S. Cl.**  
USPC ..... **D7/550.1; D7/698**
- (58) **Field of Classification Search**  
USPC ..... D7/368, 388, 396.1, 500, 501, 543, 545,  
D7/549, 550.1, 551.1, 552.1, 552.2,  
D7/553.2, 554.3, 600.1, 637, 698, 699;  
D6/406.1, 406.3, 406.5, 406.6  
CPC ..... A01K 1/011; A22C 17/0013; A47B 23/00;  
A47B 2023/045; A47G 23/06; A47G  
23/0608; A47J 47/00; A47J 47/005; A47L  
19/02; B25H 3/06; B42F 7/10; B42F  
7/12; B65D 1/34; F16N 31/002; F16N  
31/006

See application file for complete search history.

(56) **References Cited**

**U.S. PATENT DOCUMENTS**

- D464,237 S \* 10/2002 Kaposi ..... D7/698
- D503,066 S \* 3/2005 Milti ..... D7/359
- D555,987 S \* 11/2007 Williams ..... D7/698
- D570,166 S \* 6/2008 Brownlee ..... D7/698
- D697,770 S \* 1/2014 Khuu ..... D7/698
- D773,246 S \* 12/2016 Raley ..... D7/402
- 9,687,113 B2 \* 6/2017 Torlai ..... A47J 47/005
- D865,452 S \* 11/2019 Hertaus ..... D7/554.3
- D871,158 S \* 12/2019 Redjal ..... D7/584
- D880,260 S \* 4/2020 Hamilton ..... D7/698

- D899,877 S \* 10/2020 Jalet ..... D7/698
- D926,530 S \* 8/2021 Guo ..... D7/554.3
- D926,538 S \* 8/2021 Kim ..... D7/698
- D945,221 S 3/2022 Palles

**OTHER PUBLICATIONS**

Kikcoin Cutting Boards for Kitchen, posted at Amazon.com on Aug. 4, 2020, [site visited Sep. 24, 2022]. Available from internet, URL: <<https://www.amazon.com/dp/B089W1BZVR/>> (Year: 2020).\*

Double-sided Bamboo Poly Cutting Board, posted at Amazon.com on Aug. 24, 2020, [site visited Sep. 24, 2022]. Available from internet, URL: <<https://www.amazon.com/Double-sided-Bamboo-Cutting-Board-Cross-Contamination/dp/B08GL2YLZL/>> (Year: 2020).\*

\* cited by examiner

*Primary Examiner* — Andrew Kerr  
*Assistant Examiner* — Chariton Alexakis  
 (74) *Attorney, Agent, or Firm* — Justin Lampel

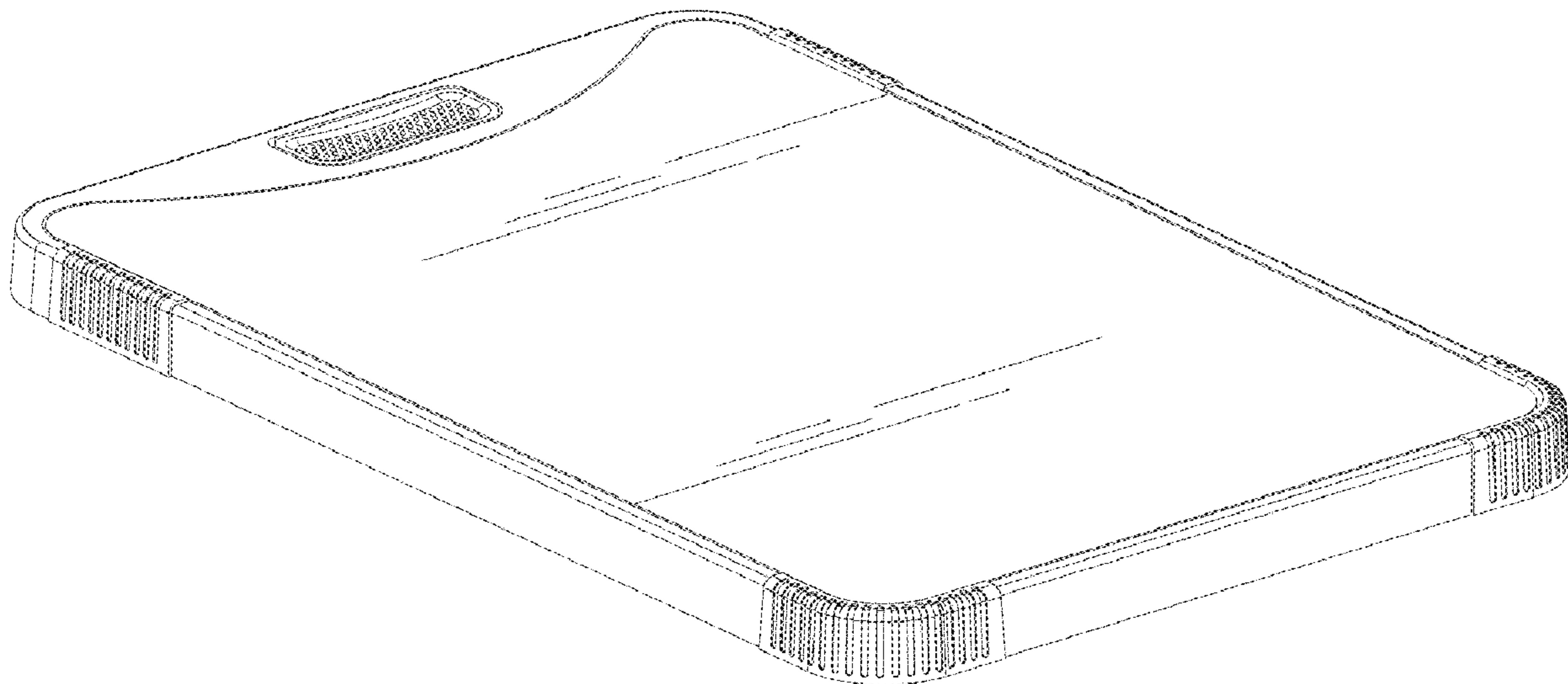
(57) **CLAIM**

The ornamental design for a tray, as shown and described.

**DESCRIPTION**

FIG. 1 is a perspective view of a tray showing the claimed design;  
 FIG. 2 is another perspective view thereof;  
 FIG. 3 is a top plan view thereof;  
 FIG. 4 is a rear elevational view thereof;  
 FIG. 5 is a left-side elevational view thereof;  
 FIG. 6 is a front elevational view thereof;  
 FIG. 7 is a right-side elevational view thereof; and,  
 FIG. 8 is a bottom plan view thereof.

**1 Claim, 8 Drawing Sheets**



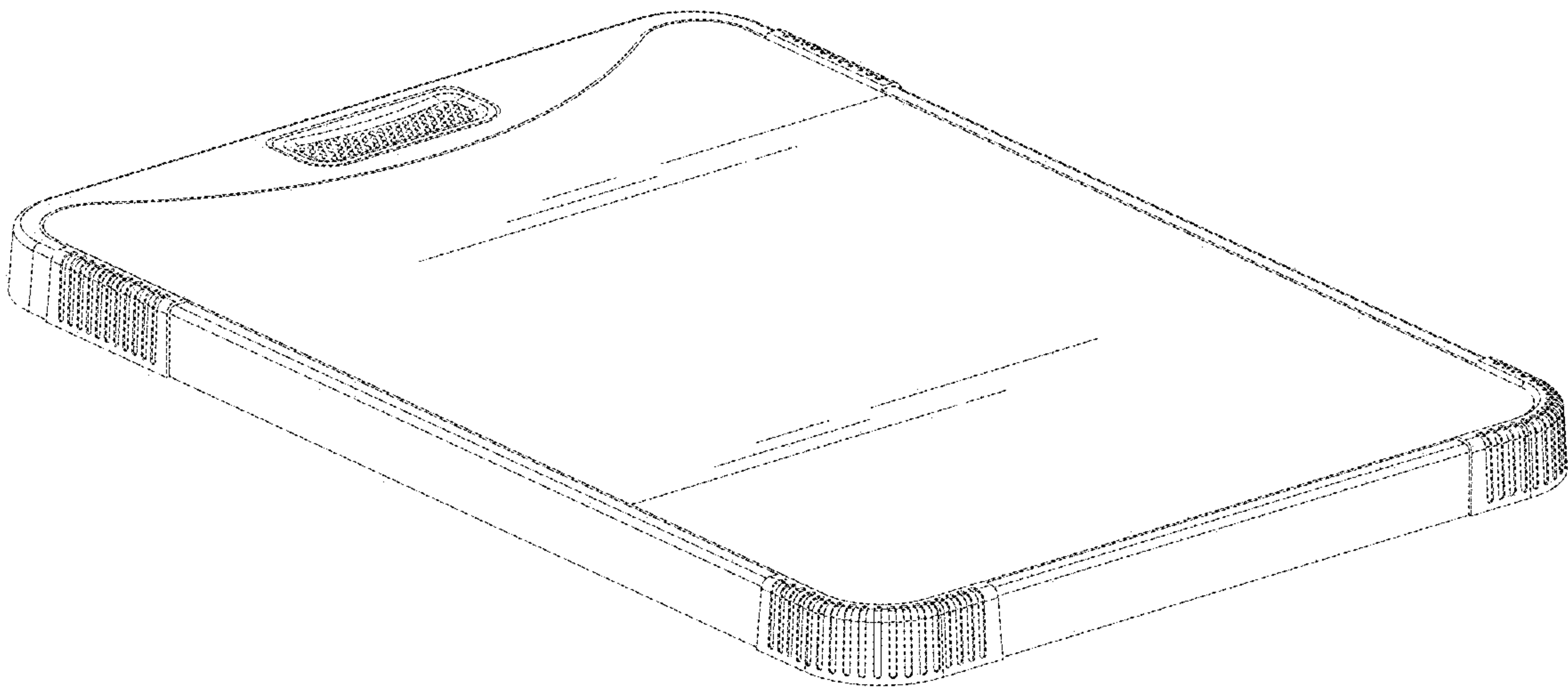


FIG. 1

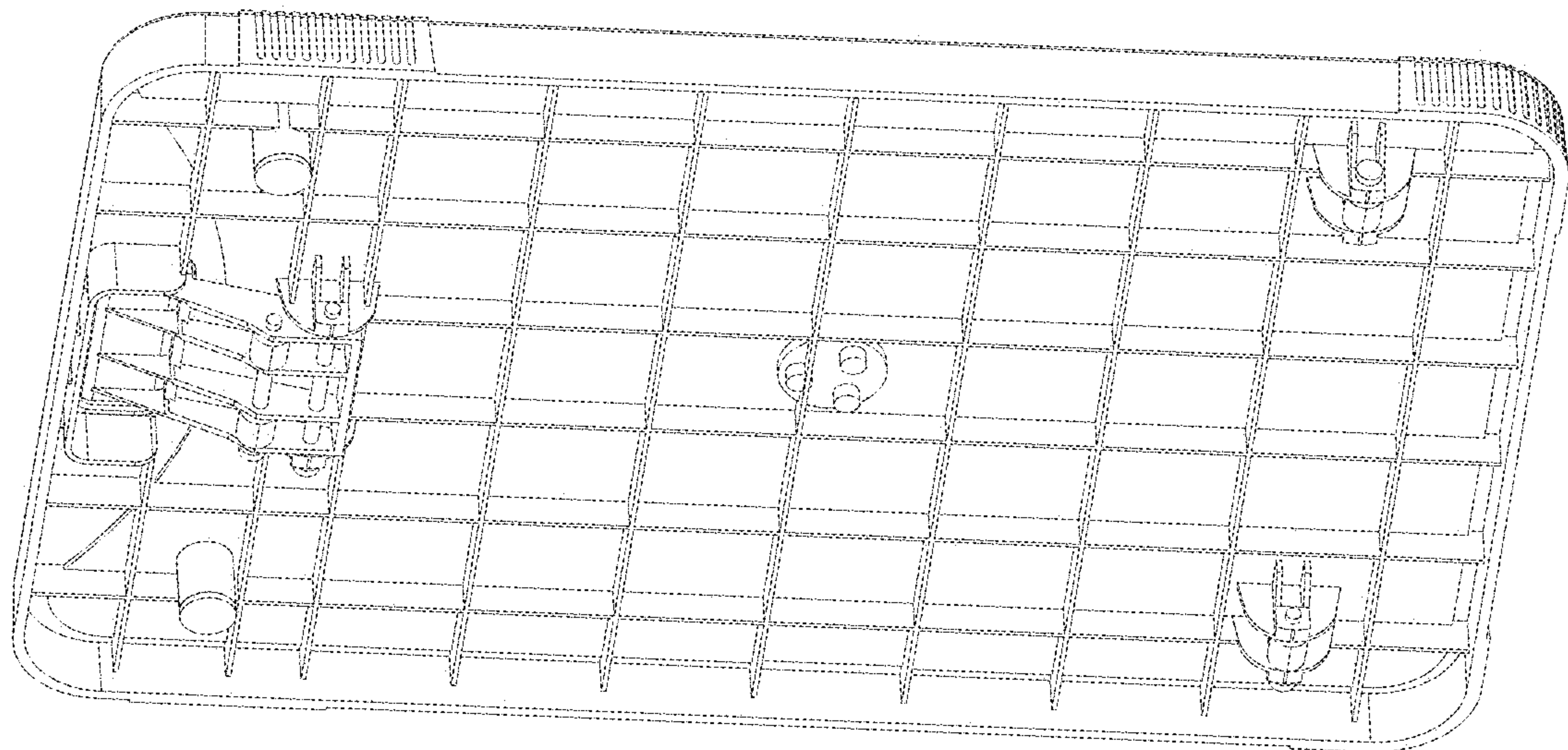


FIG. 2

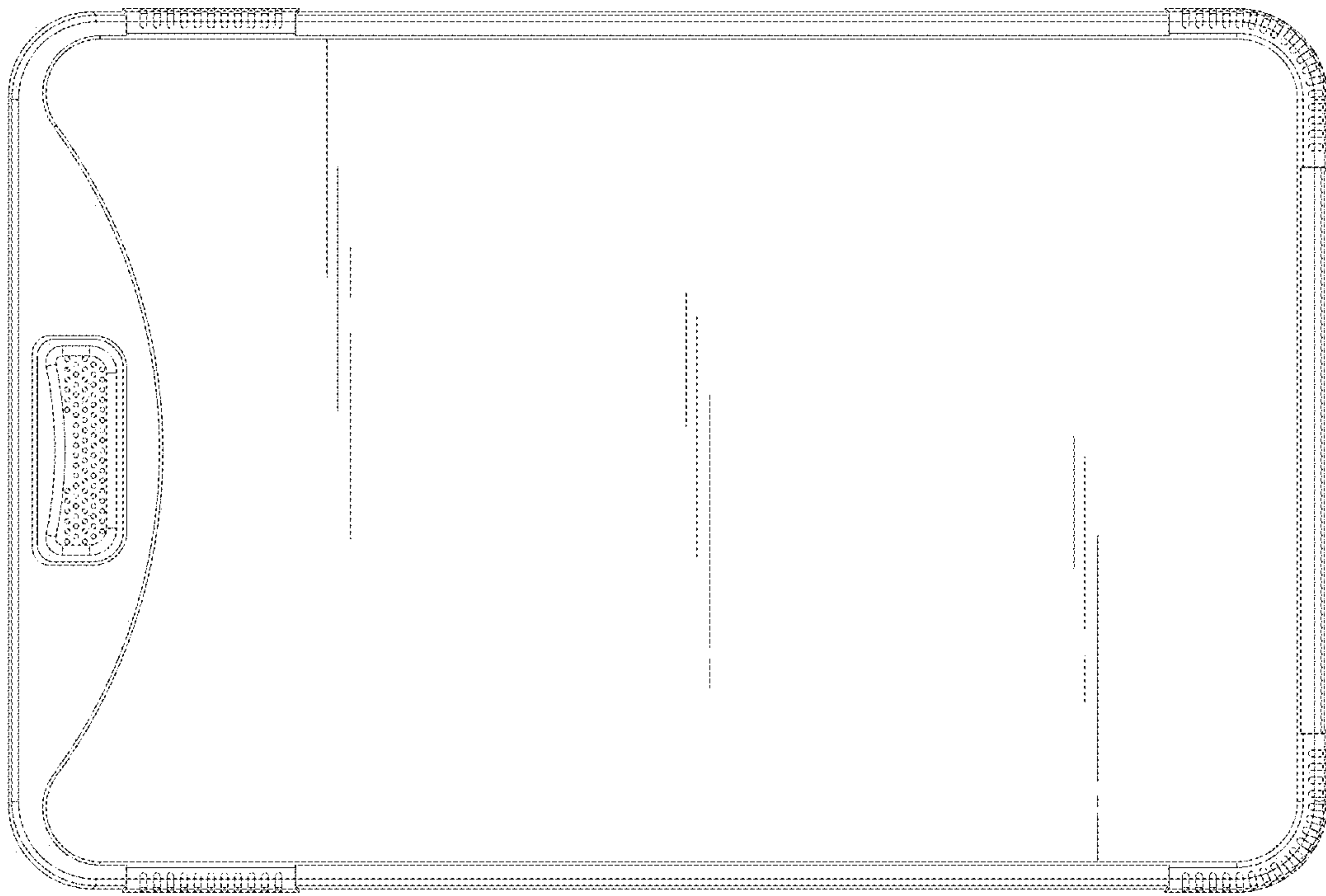


FIG. 3

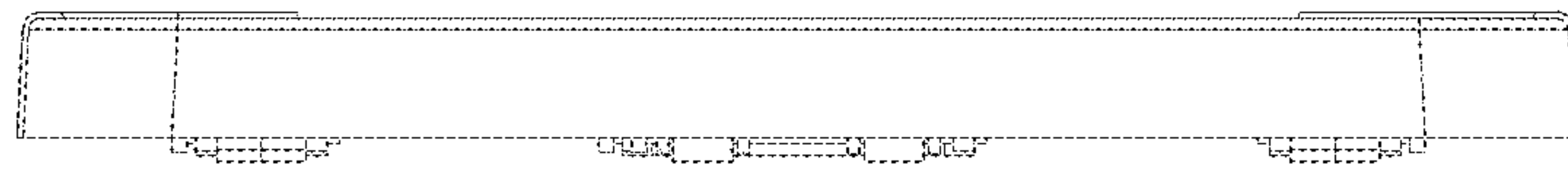


FIG.4

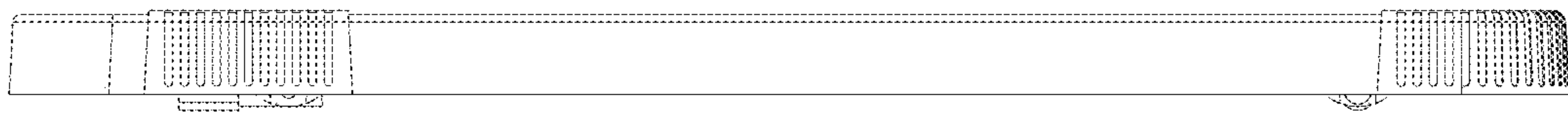


FIG. 5



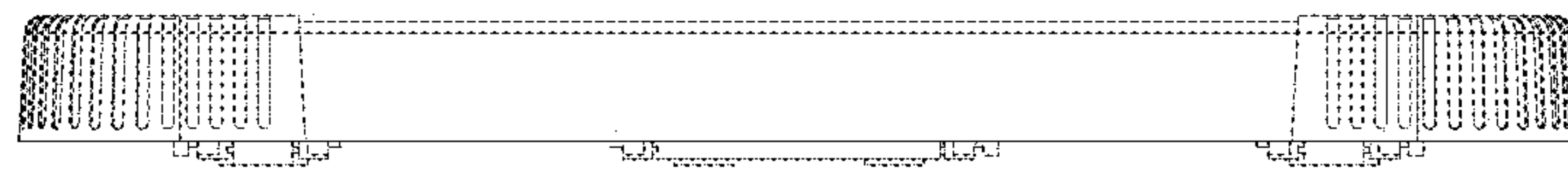


FIG. 6

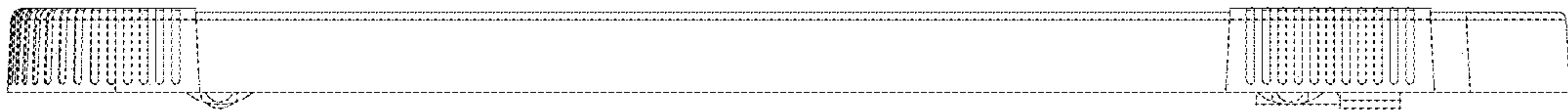


FIG. 7



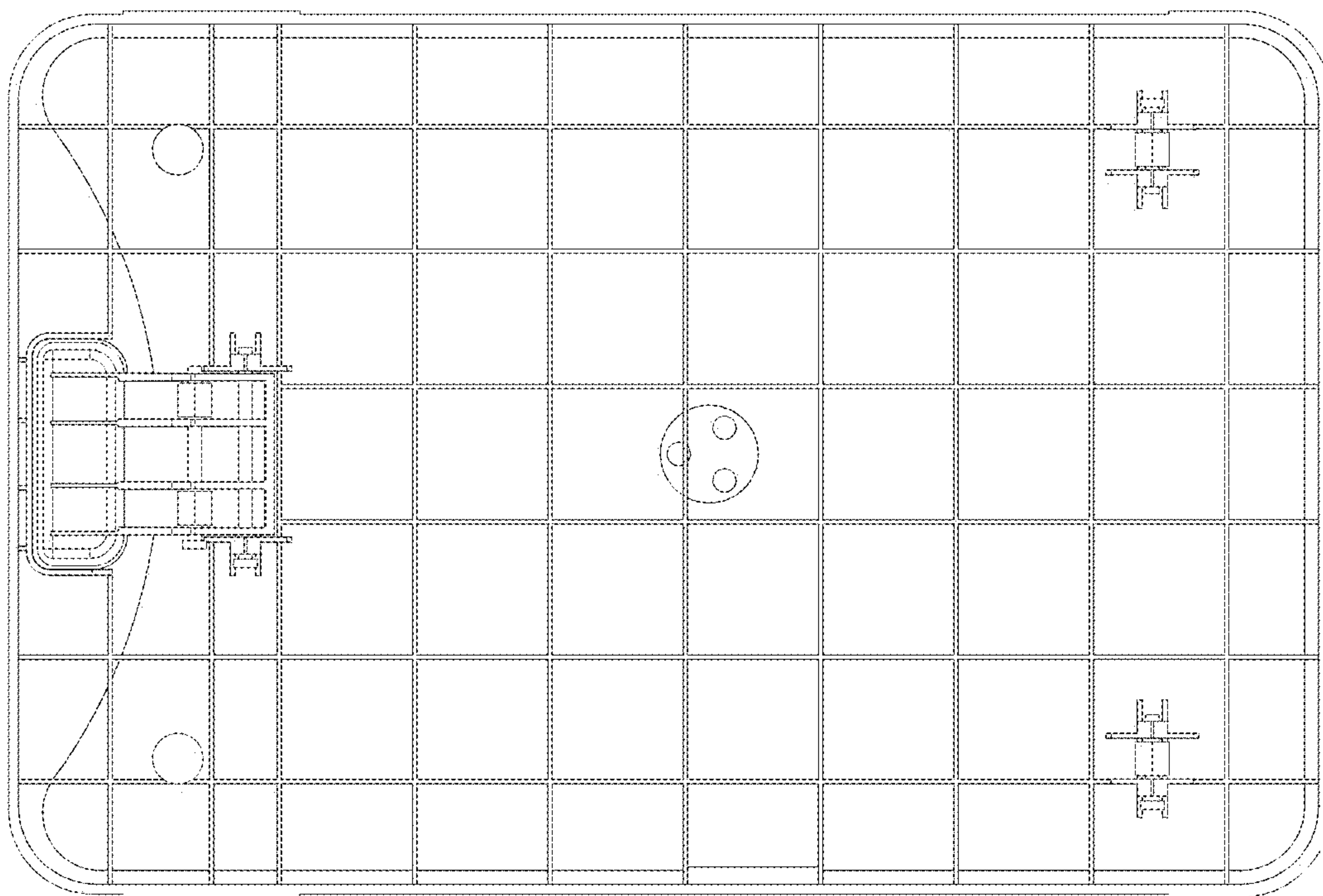


FIG.8