



US00D973441S

(12) **United States Design Patent** (10) **Patent No.:** **US D973,441 S**
Vierck (45) **Date of Patent:** **** Dec. 27, 2022**

(54) **BEVERAGE CONTAINER**

FOREIGN PATENT DOCUMENTS

(71) Applicant: **CamelBak Products, LLC**, Petaluma, CA (US)

CN 202514876 U 11/2012
CN 103637627 A 3/2014

(Continued)

(72) Inventor: **Benjamin E. Vierck**, Petaluma, CA (US)

OTHER PUBLICATIONS

(73) Assignee: **CAMELBAK PRODUCTS, LLC**, Petaluma, CA (US)

MultiBev Pak Cap Jul. 18, 2020 https://www.amazon.com/dp/B08D7VYGLV/ref=cm_sw_em_r_mt_dp_9BA8GR88VN7Q331AT3SN?_encoding=UTF8&xpsc=1 (Year: 2020).*

(Continued)

(**) Term: **15 Years**

Primary Examiner — Jae Liang

(21) Appl. No.: **29/706,722**

(74) *Attorney, Agent, or Firm* — Amardeep S. Grewal; Gerard M. Donovan; Reed Smith LLP

(22) Filed: **Sep. 23, 2019**

(57) **CLAIM**

(51) **LOC (13) Cl.** **07-01**

The ornamental design for a beverage container, as shown and described.

(52) **U.S. Cl.**

DESCRIPTION

USPC **D7/511; D7/532**

(58) **Field of Classification Search**

USPC D7/507, 510, 511, 523, 531, 532, 608, D7/392.1, 396.2; D9/500, 501, 502

CPC A47J 41/0077; A47J 41/02; A47J 41/0088; A47G 19/2288

See application file for complete search history.

FIG. 1 is an isometric view of a beverage container showing the design.

FIG. 2 is a side elevation view of the beverage container of FIG. 1.

FIG. 3 is another side elevation view of the beverage container of FIG. 1.

FIG. 4 is another side elevation view of the beverage container of FIG. 1.

FIG. 5 is another side elevation view of the beverage container of FIG. 1.

FIG. 6 is a top plan view of the beverage container of FIG. 1; and,

FIG. 7 is a bottom plan view of the beverage container of FIG. 1.

The dashed lines shown in the drawings illustrate portions of the beverage container that form no part of the claimed design. The shading lines shown in the drawings represent the approximate three-dimensional contour of the claimed design and are not intended to indicate surface decoration.

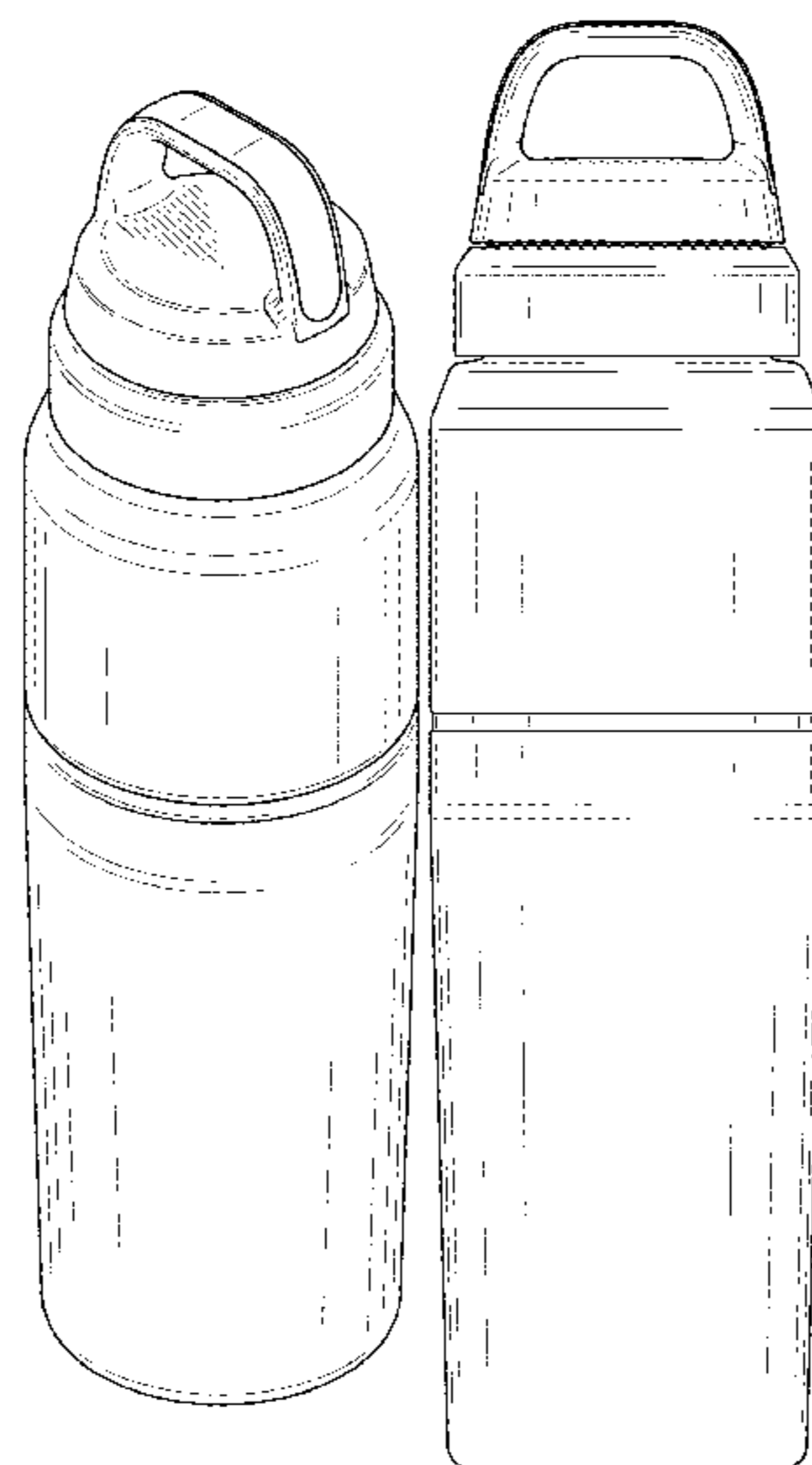
(56) **References Cited**

U.S. PATENT DOCUMENTS

3,581,927 A	6/1971	Langdon
4,600,111 A	7/1986	Brown
5,531,353 A	7/1996	Ward et al.
D402,556 S	12/1998	Frye
6,196,411 B1	3/2001	Nava et al.
6,405,675 B1	6/2002	Mills
6,409,038 B1	6/2002	Karp
7,055,709 B1	6/2006	Esau
7,798,346 B2	9/2010	Nelson et al.
7,845,489 B2	12/2010	Thompson
8,113,364 B1	2/2012	Asadi
8,181,810 B2	5/2012	Jones

(Continued)

1 Claim, 4 Drawing Sheets



(56)

References Cited

U.S. PATENT DOCUMENTS

8,342,346 B2 1/2013 Rances
 8,596,480 B2 12/2013 Arjomand
 8,727,149 B1 5/2014 Reid et al.
 8,899,435 B1 12/2014 Reder et al.
 D727,097 S 4/2015 Sorensen et al.
 D732,339 S 6/2015 Sorensen et al.
 9,078,535 B1 7/2015 Buck
 D742,699 S * 11/2015 Boroski D9/500
 9,216,843 B2 12/2015 Sorensen et al.
 D768,507 S 10/2016 Hotell
 9,492,024 B2 11/2016 Sorensen et al.
 D799,898 S * 10/2017 Yao D7/510
 9,833,090 B2 12/2017 Ross et al.
 D809,344 S * 2/2018 Guthrie D9/504
 10,179,674 B2 1/2019 Anthony
 D842,027 S * 3/2019 Boroski D7/392.1
 D843,212 S * 3/2019 Seiders D7/392.1
 10,251,468 B1 * 4/2019 Moore B65D 23/0885
 D856,757 S * 8/2019 Seiders D9/504
 D866,259 S * 11/2019 Jacobsen D7/511
 D868,537 S * 12/2019 Jacobsen D9/520
 D893,938 S * 8/2020 Kander D7/392.1
 D899,859 S * 10/2020 Jacobsen D7/511
 D915,826 S * 4/2021 Ulla D7/532
 D932,843 S * 10/2021 Ames D7/511
 D941,629 S * 1/2022 Zhou D7/392.1
 D945,837 S * 3/2022 Carson D7/608
 2006/0131309 A1 6/2006 Listenberger et al.
 2008/0000898 A1 1/2008 Ramsden
 2009/0057312 A1 3/2009 Beyers, III
 2009/0188884 A1 7/2009 Nelson et al.
 2009/0230082 A1 9/2009 Dickerson
 2009/0266737 A1 10/2009 Cole
 2011/0024415 A1 2/2011 Davtyan
 2011/0163102 A1 7/2011 Haynie
 2012/0193316 A1 8/2012 Starks
 2016/0249755 A1 9/2016 Sorensen et al.
 2017/0127859 A1 5/2017 Hornung et al.
 2017/0190458 A1 7/2017 Tinsley
 2018/0237186 A1 8/2018 Stathis
 2018/0332986 A1 11/2018 Sorensen et al.

FOREIGN PATENT DOCUMENTS

CN 204635844 U 9/2015
 CN 204950368 U 1/2016
 CN 205409055 U 8/2016
 CN 206166506 U 5/2017
 CN 107296453 A 10/2017
 CN 108420270 A 8/2018
 CN 208017317 U 10/2018
 DE 202015106498 U1 1/2016
 JP 2002080045 A 3/2002
 JP 3202638 U 1/2016
 JP 2016187642 A 11/2016
 KR 202006000096 U 12/2006
 KR 101725792 B1 4/2017
 KR 2020170003053 U 8/2017
 KR 101895537 B1 9/2018
 NL 2015890 B1 5/2017
 WO WO 2013/142925 A2 10/2013

OTHER PUBLICATIONS

<https://youtu.be/NAZLi1gpj-4> Jul. 14, 2020 (Year: 2020).
 English-language machine translation of Japanese Patent Publication No. JP 2002080045 A, Global Patent Solutions, Oct. 17, 2018.

English-language machine translation of Korean Utility Model Publication No. KR 2020060000096 U, Global Patent Solutions, Apr. 3, 2019.
 English-language machine translation of Chinese Utility Model Publication No. CN 202514876 U, Global Patent Solutions, Apr. 3, 2019.
 English-language machine translation of Chinese Patent Publication No. CN 103637627 A, Google Patents, <https://patents.google.com/patent/CN103637627A/en?q=CN103637627>, Dec. 28, 2018.
 English-language machine translation of Chinese Utility Model Publication No. CN 204635844 U, Global Patent Solutions, Apr. 3, 2019.
 English-language machine translation of Chinese Utility Model Publication No. CN 204950368 U, Global Patent Solutions, Apr. 3, 2019.
 English-language machine translation of Japanese Utility Model Publication No. JP 3202638 U, Global Patent Solutions, Apr. 3, 2019.
 English-language machine translation of German Utility Model No. DE 202015106498 U1, Global Patent Solutions, Apr. 3, 2019.
 English-language machine translation of Chinese Utility Model Publication No. CN 205409055 U, Global Patent Solutions, Apr. 3, 2019.
 English-language machine translation of Japanese Patent Publication No. JP 2016187642 A, Global Patent Solutions, Apr. 3, 2019.
 English-language machine translation of Korean Patent Publication No. KR 101725792 B1, Global Patent Solutions, Oct. 17, 2018.
 English-language machine translation of Chinese Utility Model Publication No. CN 206166506 U, Global Patent Solutions, Oct. 17, 2018.
 English-language machine translation of Netherlands Patent Publication No. NL 2015890 B1, Global Patent Solutions, Apr. 3, 2019.
 English-language machine translation of Korean Utility Model Publication No. KR 2020170003053 U, Global Patent Solutions, Oct. 17, 2018.
 English-language machine translation of Chinese Patent Publication No. CN 107296453 A, Global Patent Solutions, Apr. 3, 2019.
 English-language machine translation of Chinese Patent Publication No. CN 108420270 A, Global Patent Solutions, Oct. 17, 2018.
 English-language machine translation of Korean Patent Publication No. KR 101895537 B1, Global Patent Solutions, Oct. 17, 2018.
 English-language machine translation of Chinese Utility Model Publication No. CN 208017317 U, Global Patent Solutions, Apr. 3, 2019.
 Dog Water Bottle and Bowl, <http://www.flaskdog.com/>, retrieved Oct. 17, 2018.
 Firelight 750 Flask, High Camp Flasks, https://highcampflasks.com/products/firelight-flasks-750ml?_pos=1&_sid=b9d714129&_ss=r, retrieved Sep. 9, 2019.
 H2Joe bottle, <https://h2joe.com/>, retrieved Feb. 11, 2019.
 Hibeat All-Day Adventure Flask, <https://www.hibeatoutdoors.com>, retrieved May 2, 2019.
 Licensed Character Water Bottles with Attached Snack Containers, <https://www.dollartree.com/licensed-character-water-bottles-with-attached-snack-containers/263328>, retrieved Oct. 17, 2018.
 Marina Sport Bottle with Hidden Compartment—28 oz., <https://www.4imprint.com/product/132657/Marina-Sport-Bottle-with-Hidden-Compartment-28-oz>, retrieved Apr. 3, 2019.
 The Protein Shaker with a Compartment—the ProStak™ | BlenderBottle®, <https://www.blenderbottle.com/products/prostak>, retrieved Apr. 3, 2019.
 Sigg 8516.2" Hot & Cold Brushed Drinking Bottle, <https://www.amazon.com/Sigg-8516-2-Brushed-drinking-multicolor/dp/B00SYHUU7Y>, retrieved Sep. 9, 2019.

* cited by examiner

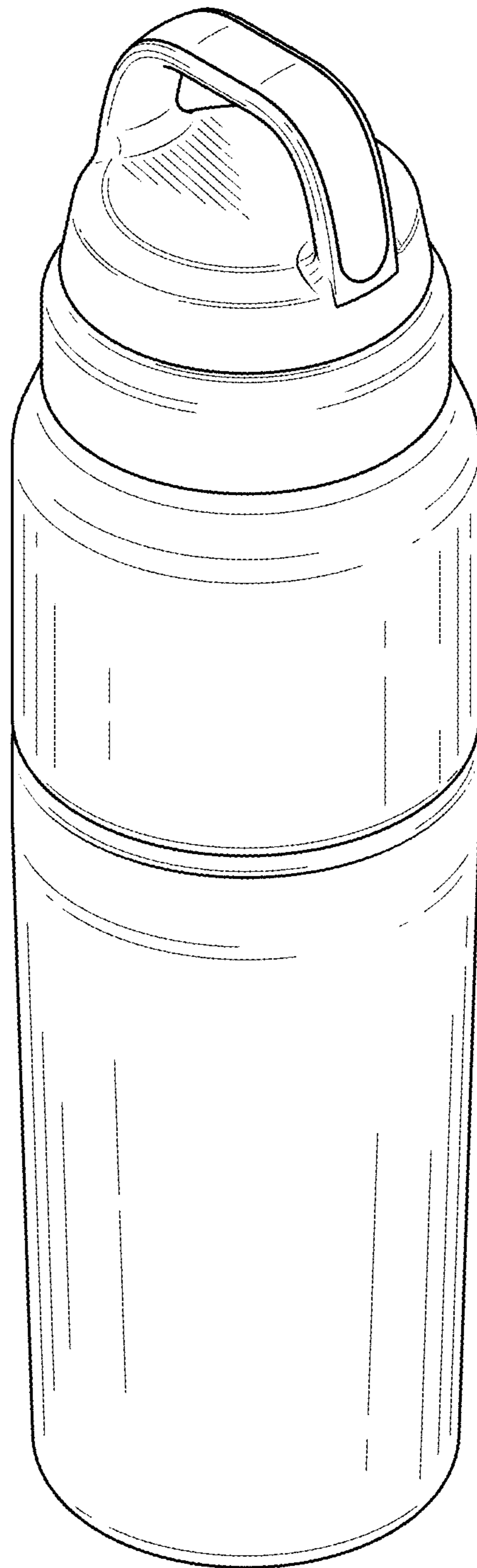


FIG. 1

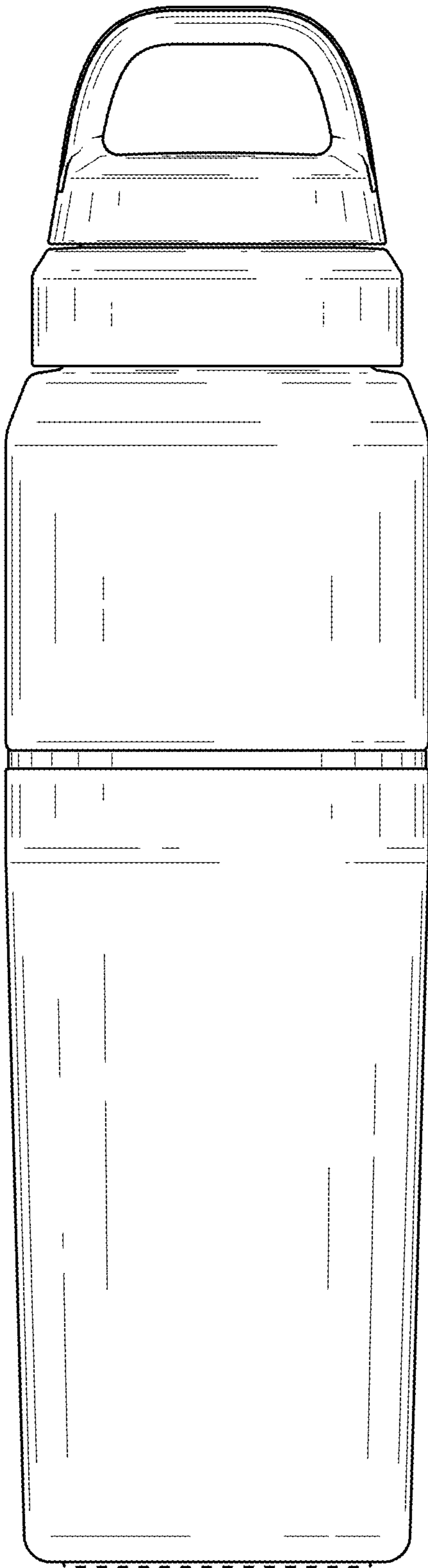


FIG. 2

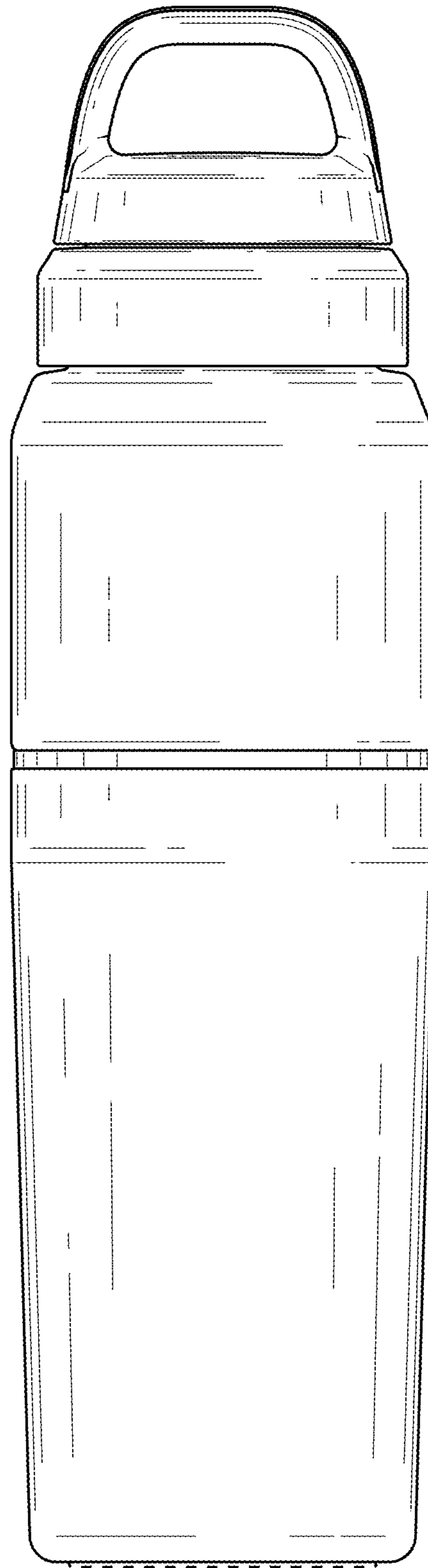


FIG. 3

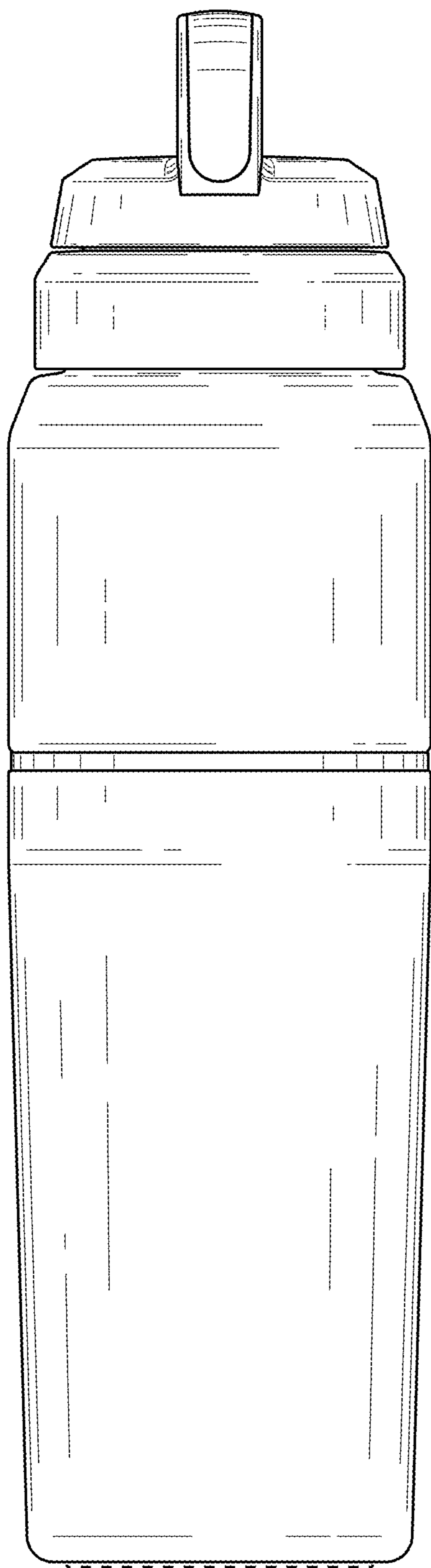


FIG. 4

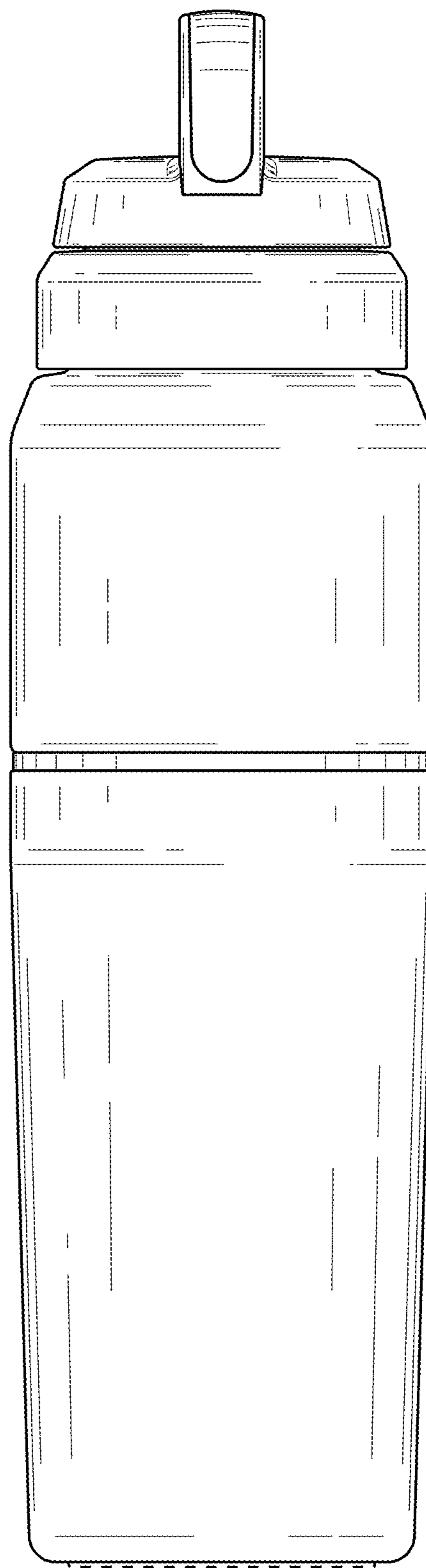


FIG. 5

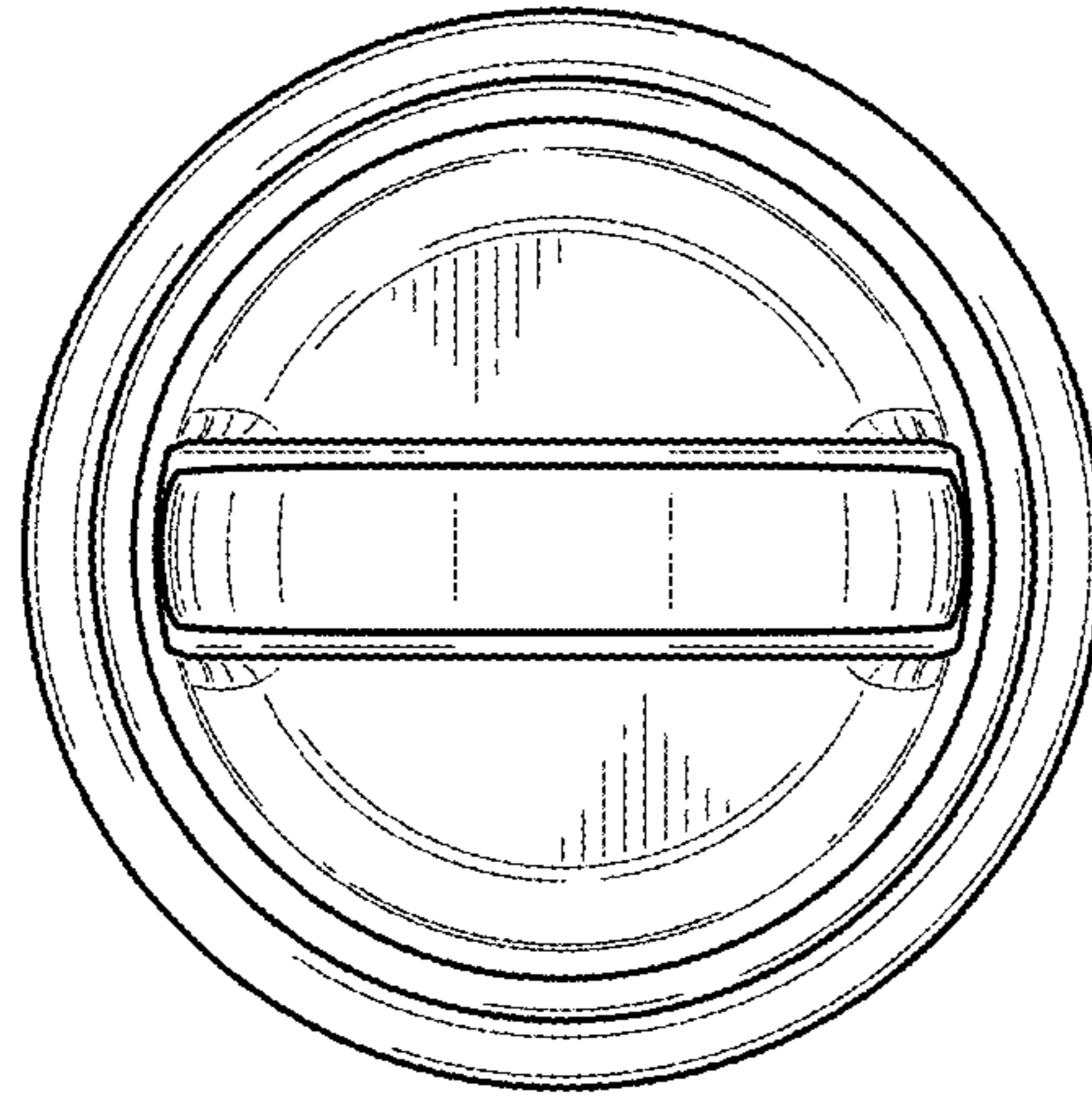


FIG. 6

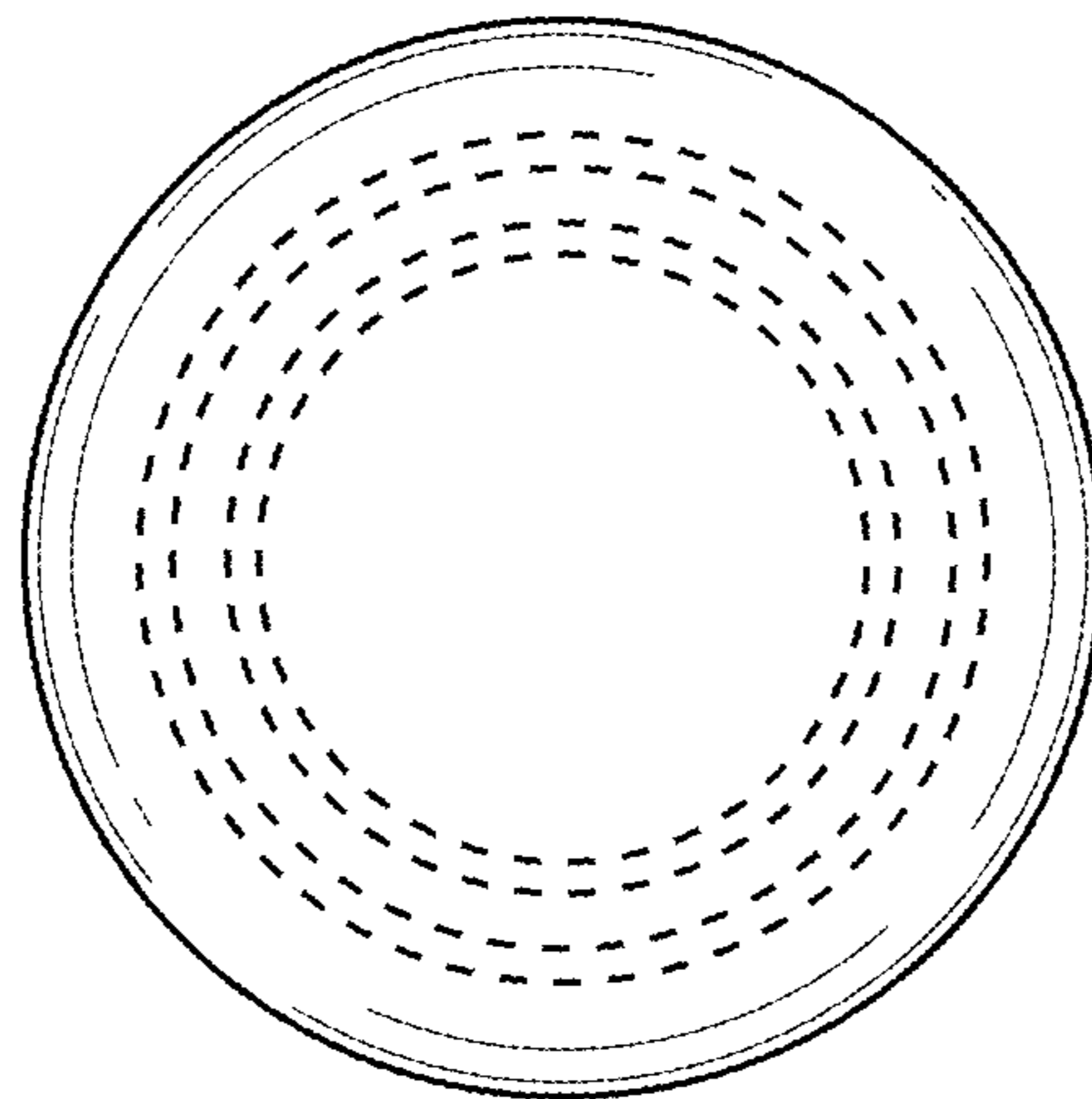


FIG. 7