



US00D973440S

(12) **United States Design Patent** (10) **Patent No.:** **US D973,440 S**
Randazzo et al. (45) **Date of Patent:** **** Dec. 27, 2022**

(54) **BOTTLE**
(71) Applicant: **24Bottles Societa Benefit S.r.l.**,
Villanova di Castenaso (IT)
(72) Inventors: **Giovanni Randazzo**, Villanova di
Castenaso (IT); **Matteo Melotti**,
Villanova di Castenaso (IT)
(73) Assignee: **24BOTTLES SOCIATA BENEFIT**
SRL, Castenaso (IT)

D584,958 S * 1/2009 Schiesser D9/503
D624,417 S * 9/2010 Bentley D9/500
D624,821 S * 10/2010 Leonardis D9/503
D633,797 S * 3/2011 Cresswell D9/500
D633,798 S * 3/2011 Cresswell D9/500
D686,079 S * 7/2013 Johnson D9/503
D687,710 S * 8/2013 Johnson D9/500
D689,332 S * 9/2013 Krasner D9/503
D695,616 S * 12/2013 Li D9/503
D696,117 S * 12/2013 Lee D9/500
D696,945 S * 1/2014 Newman D9/500

(Continued)

(**) Term: **15 Years**
(21) Appl. No.: **29/765,460**
(22) Filed: **Jan. 8, 2021**

FOREIGN PATENT DOCUMENTS

CN 305444211 * 11/2019
CN 305825525 * 6/2020

(Continued)

(30) **Foreign Application Priority Data**

Jul. 21, 2020 (EM) 008049837-0001

(51) **LOC (13) Cl.** **07-01**

(52) **U.S. Cl.**
USPC **D7/510**; D9/503

(58) **Field of Classification Search**
USPC D7/507, 509, 510, 511, 533, 536, 392.1,
D7/396.1, 396.2, 608, 900; D30/132,
D30/121, 122, 123, 124, 125, 126, 127,
D30/128, 129, 130, 131, 133; D9/443,
D9/449, 561, 500, 503, 504, 615;
D3/202; D29/125, 126
CPC A47G 19/2205; A47G 23/16; A47G
19/2272; A47J 41/00; A47J 41/02; A47J
41/0077; Y10S 220/903; B65D 21/02;
B65D 43/00; B65D 41/00

See application file for complete search history.

(56) **References Cited**

U.S. PATENT DOCUMENTS

D256,993 S * 9/1980 Strand D9/503
D312,775 S * 12/1990 Tacconelli D9/503

OTHER PUBLICATIONS

Bugatti [online] URL: <https://www.casabugatti.com/insulated-water-bottles/pink/b-bottles-twin500-ml-BB?id=BBT-RU500IS&img=grande%5FBBT%2DRU500IS%5FFOTO%5FB%2Ejpg> (site visited: May 4, 2022) (Year: 2022).*

(Continued)

Primary Examiner — Jae Liang
Assistant Examiner — Tia Ruth-Renee Polidori
(74) *Attorney, Agent, or Firm* — FisherBroyles, LLP

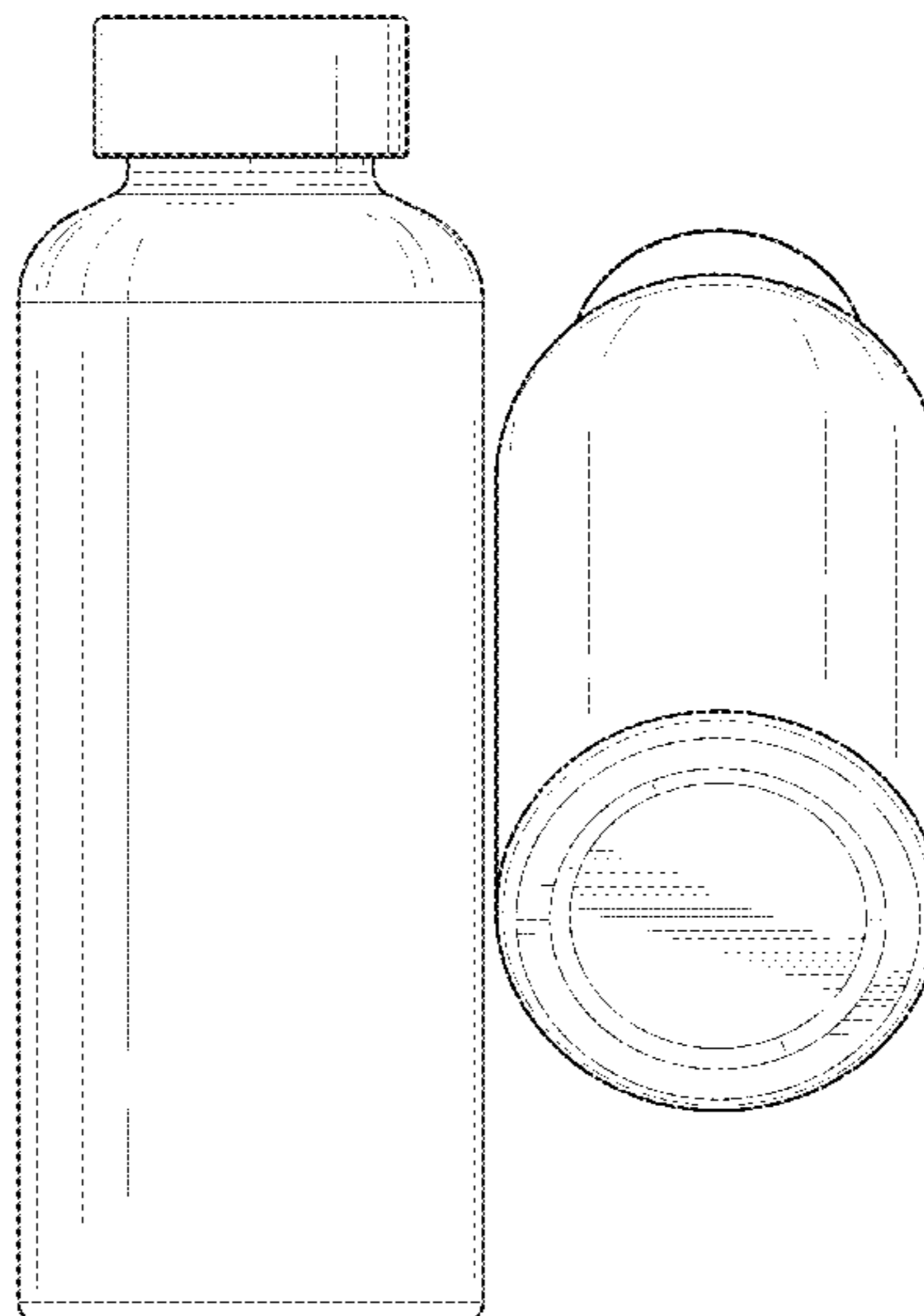
(57) **CLAIM**

The ornamental design for a bottle, as shown and described.

DESCRIPTION

FIG. 1 is a side view of a bottle embodying the design, all sides being identical;
FIG. 2 is a top view thereof;
FIG. 3 is a bottom view thereof;
FIG. 4 is a bottom and side perspective view thereof; and,
FIG. 5 is a top and side perspective view thereof.

1 Claim, 4 Drawing Sheets



(56)

References Cited

U.S. PATENT DOCUMENTS

D697,407 S * 1/2014 Hines D9/500
 D704,558 S * 5/2014 Weiss D9/500
 D736,621 S * 8/2015 Ivancic D9/436
 D753,442 S * 4/2016 Weernink D7/510
 D779,881 S * 2/2017 Lee D9/503
 D783,410 S * 4/2017 Bertaux D9/503
 D804,906 S * 12/2017 Diener D7/532
 D805,918 S * 12/2017 Matthieu D9/767
 D811,883 S * 3/2018 Arthachinda D9/503
 D819,403 S * 6/2018 Li D7/532
 D829,101 S * 9/2018 Spivey D9/503
 D832,650 S * 11/2018 Diebel D9/503
 D836,459 S * 12/2018 Thuesen D9/503
 D839,050 S * 1/2019 Sibbert D9/503
 D839,673 S * 2/2019 Meyers D9/503
 D839,683 S * 2/2019 Wong D9/500
 D844,433 S * 4/2019 Hall D9/500
 D848,265 S * 5/2019 Harris D9/500
 D857,456 S * 8/2019 Bell D7/532
 D873,074 S * 1/2020 Diefenbach D7/532
 D878,864 S * 3/2020 Lawson-Shanks D7/532
 D878,919 S * 3/2020 Randazzo D9/503
 D885,836 S * 6/2020 Wang D9/504
 D893,246 S * 8/2020 Monaghan D9/454
 D901,976 S * 11/2020 Sibbert D7/511
 D902,721 S * 11/2020 Randazzo D9/503
 D911,110 S * 2/2021 Kauffman D7/532
 D911,111 S * 2/2021 Kauffman D7/532
 D917,231 S * 4/2021 Wang D9/504
 D926,579 S * 8/2021 Sanders D9/500
 D941,145 S * 1/2022 Wang D9/454
 D945,881 S * 3/2022 Cornehl D9/500
 D946,406 S * 3/2022 Chupak D9/500
 D948,286 S * 4/2022 Lin D7/533
 D949,635 S * 4/2022 Pisarevsky D7/624.2
 D950,316 S * 5/2022 Wang D7/511
 D950,384 S * 5/2022 Griffis D9/516
 D951,023 S * 5/2022 Bodum D7/510

D951,712 S * 5/2022 Bodum D7/510
 D955,819 S * 6/2022 Wang D7/511
 D959,202 S * 8/2022 Lin D7/510
 2002/0148803 A1* 10/2002 Chang B65D 41/3452
 215/258
 2008/0087674 A1* 4/2008 Overgaard C09K 5/063
 220/592.16
 2011/0049083 A1* 3/2011 Scott B65D 1/0276
 215/371
 2011/0120210 A1* 5/2011 Saitoh G01N 3/303
 73/12.06
 2015/0203262 A1* 7/2015 Gruenwald B65D 51/2821
 426/66
 2017/0349370 A1* 12/2017 Fraser B65D 41/04
 2018/0170633 A1* 6/2018 Abbascia, Jr. B65D 23/12
 2021/0036528 A1* 2/2021 Casale H02J 7/0063
 2022/0259033 A1* 8/2022 Mullenau B67D 1/0894

FOREIGN PATENT DOCUMENTS

CN 306346526 * 2/2021
 CN 307345979 * 5/2022
 CN 307400258 * 6/2022
 CN 307457154 * 7/2022
 CN 307479503 * 8/2022
 JP D1723337 * 8/2022
 KR 300898626.0000 * 3/2017
 KR 300898627.0000 * 3/2017

OTHER PUBLICATIONS

Beysis [online] URL: <https://www.youtube.com/watch?v=GDHMR7jhbVo> (site visited: May 4, 2022) (Year: 2019).*
 IZMEE [online] URL: <https://www.izmee.com/en/product/blurred-breakfast-510/> (site visited: May 4, 2022) (Year: 2022).*
 Luna & Luca [online] URL: <https://www.amazon.co.uk/Drink-Reminder-Water-Bottle-Marker/dp/B08FYSR5WK> (site visited: May 4, 2022) (Year: 2020).*

* cited by examiner

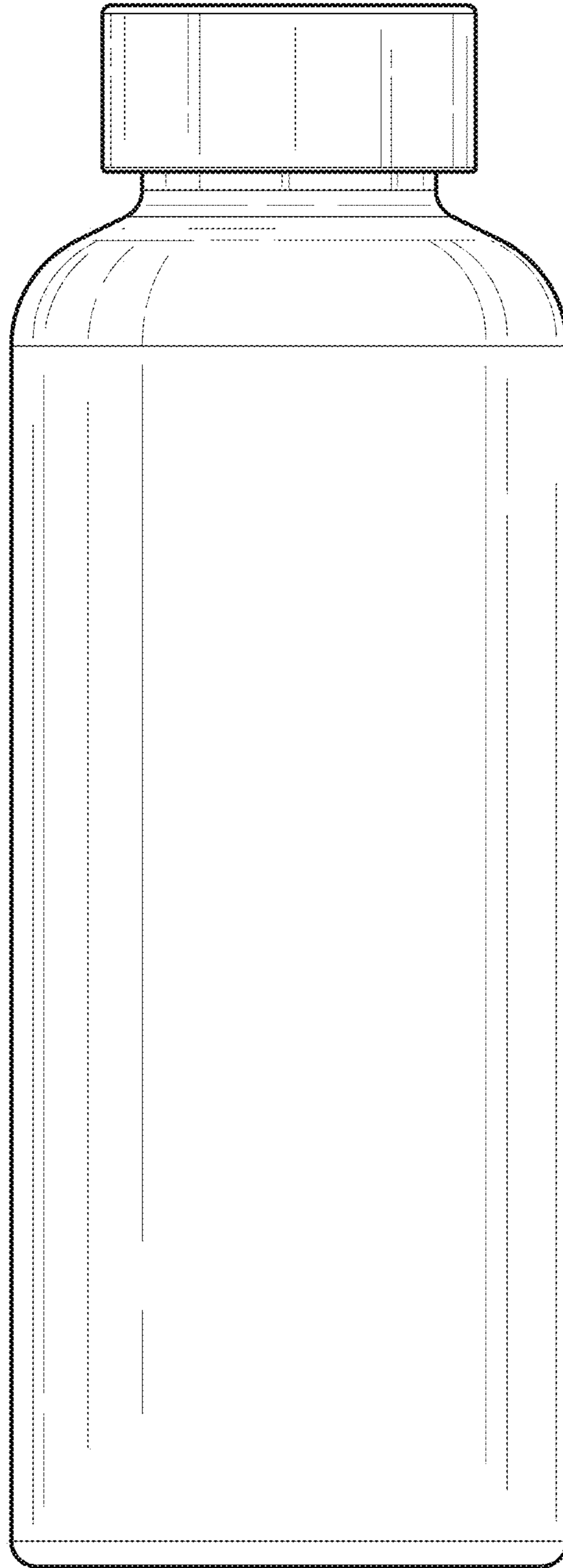


FIG. 1

FIG. 2

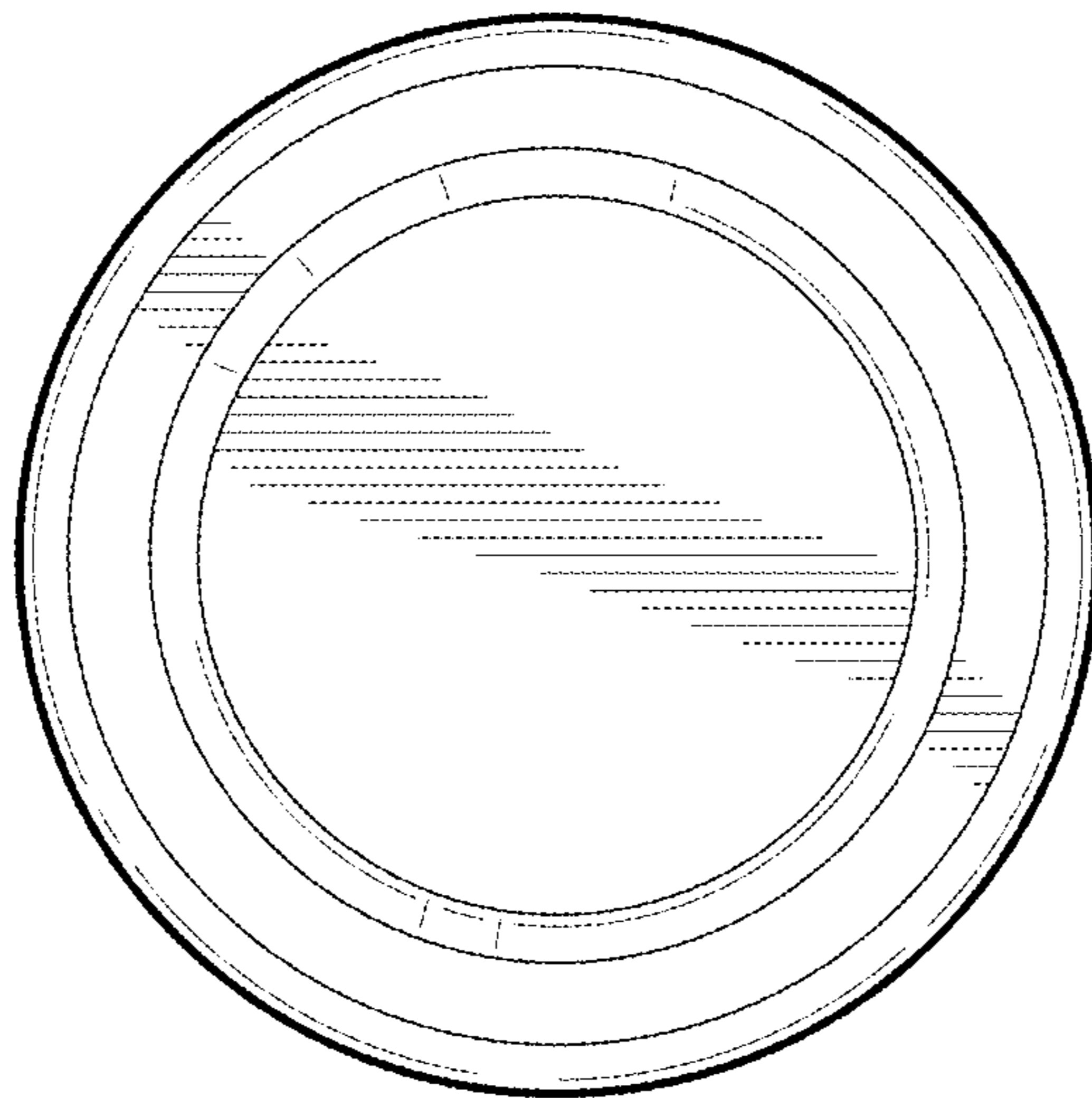
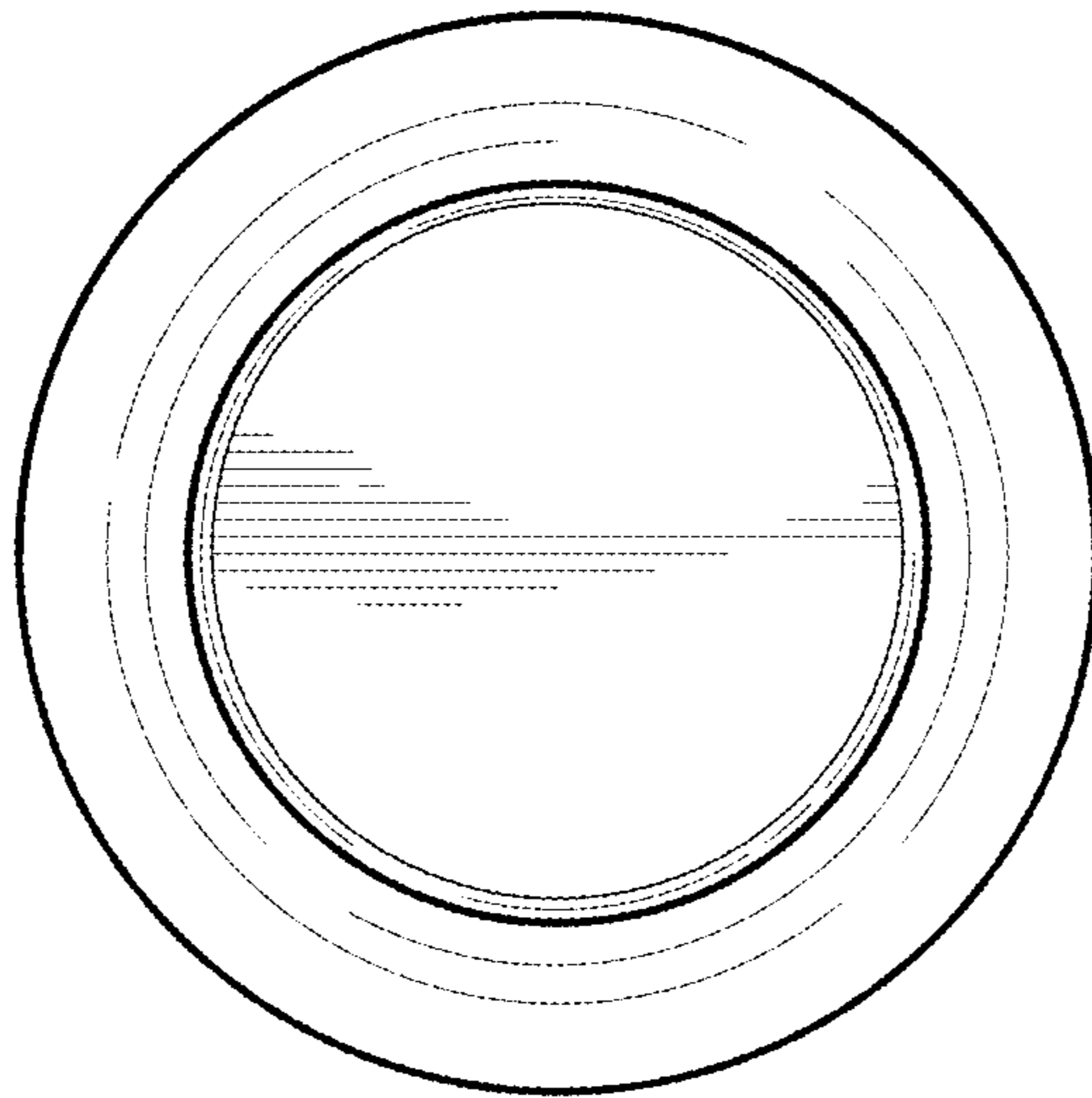


FIG. 3

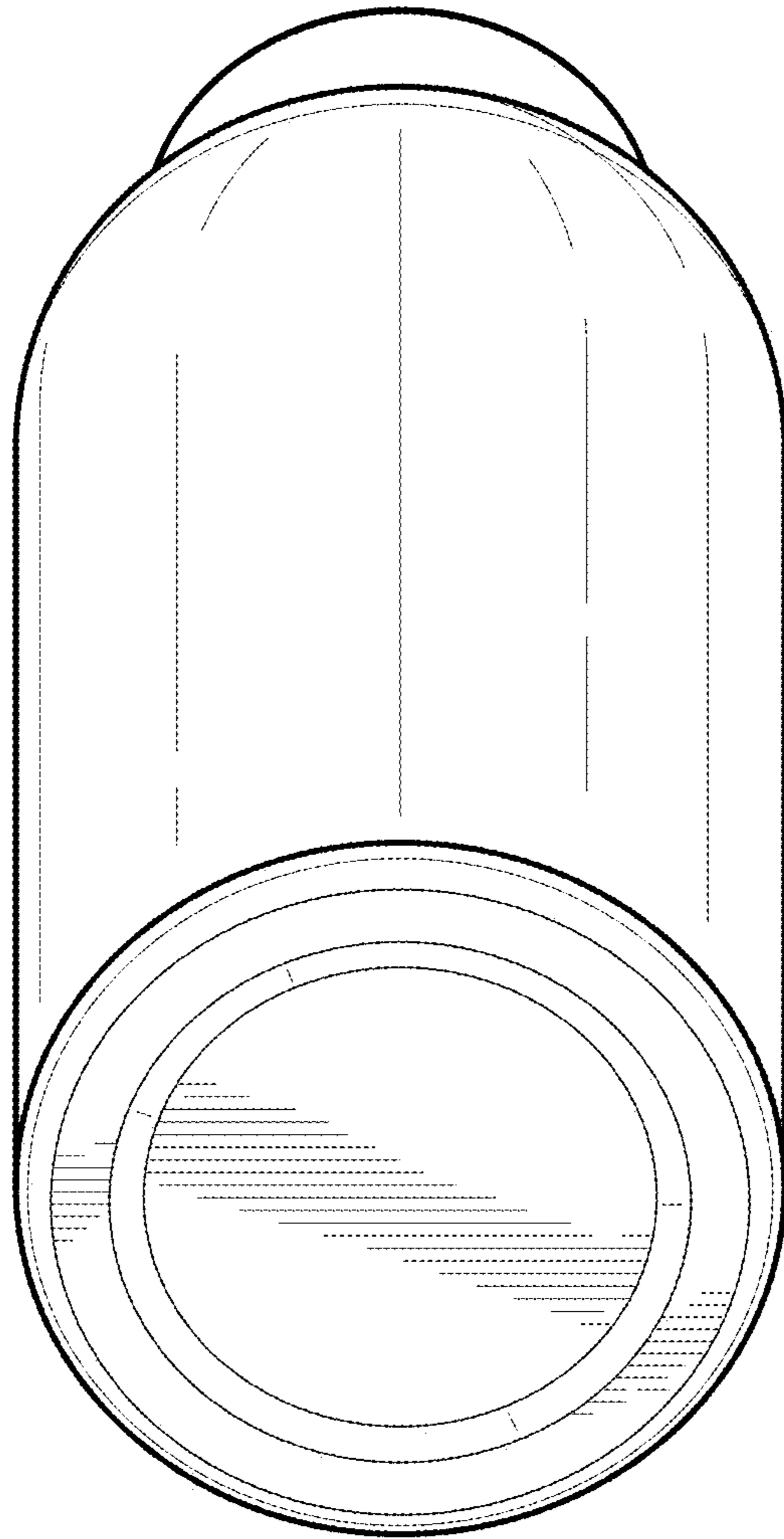


FIG. 4

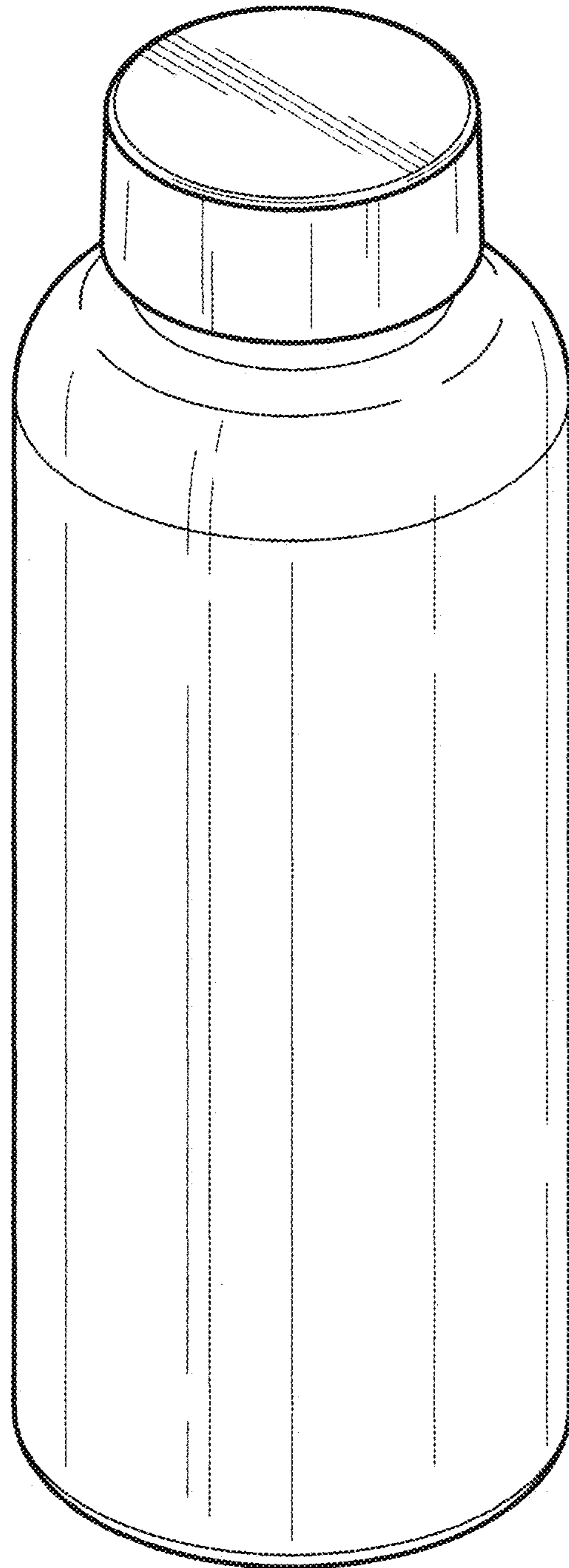


FIG. 5