



US00D973438S

(12) **United States Design Patent**
Xie

(10) **Patent No.:** **US D973,438 S**

(45) **Date of Patent:** **** Dec. 27, 2022**

(54) **PASTA PRESS ATTACHMENT**

(71) Applicant: **Yong Xie**, Zhuzhou (CN)

(72) Inventor: **Yong Xie**, Zhuzhou (CN)

(**) Term: **15 Years**

(21) Appl. No.: **29/847,789**

(22) Filed: **Jul. 27, 2022**

(51) **LOC (13) Cl.** **07-02**

(52) **U.S. Cl.**

USPC **D7/412**; D7/372; D7/384

(58) **Field of Classification Search**

USPC D7/309, 310, 372, 373, 376–386, 397,
D7/412–413, 602, 629, 665–666, 669,
D7/679, 693–694

CPC A21C 1/02; A21C 1/04; A23N 1/00; A23N
1/02; A47J 43/04; A47J 43/25; A47J
43/27; A47J 43/042; A47J 43/044; A47J
43/046; A47J 43/075; A47J 43/0722;
A47J 43/0727; B01F 3/00; B01F 3/0807;
B01F 3/0853; B01F 13/0059; B01F
13/0064; B02C 1/08; B02C 2/04; B02C
4/42; B02C 4/142; B02C 4/143; B02C
4/423; B02C 13/1835; B28C 5/10; B28C
5/12; B28C 5/14; B28C 5/16; A01F
29/005

See application file for complete search history.

(56) **References Cited**

U.S. PATENT DOCUMENTS

1,032,258 A * 7/1912 Wefing A01F 29/005
241/37.5
D362,597 S * 9/1995 Kim D7/665

D683,577 S * 6/2013 Cohen D7/372
D708,915 S * 7/2014 Wong D7/693
D721,549 S * 1/2015 Li D7/666
D805,844 S * 12/2017 Benoit D7/412
D809,853 S * 2/2018 Zhang D7/381
D892,552 S 8/2020 Liu

OTHER PUBLICATIONS

KitchenAid 5KSMPEXTA Gourmet Pasta Press. Date First Avail-
able on Amazon.com Jul. 23, 2016. [https://www.amazon.com/
KitchenAid-5KSMPEXTA-Gourmet-Optional-Accessory/dp/
B01IYIY5JG/ref](https://www.amazon.com/KitchenAid-5KSMPEXTA-Gourmet-Optional-Accessory/dp/B01IYIY5JG/ref) (Year: 2016).*

* cited by examiner

Primary Examiner — Ricky Pham

(74) *Attorney, Agent, or Firm* — Jeenam Park

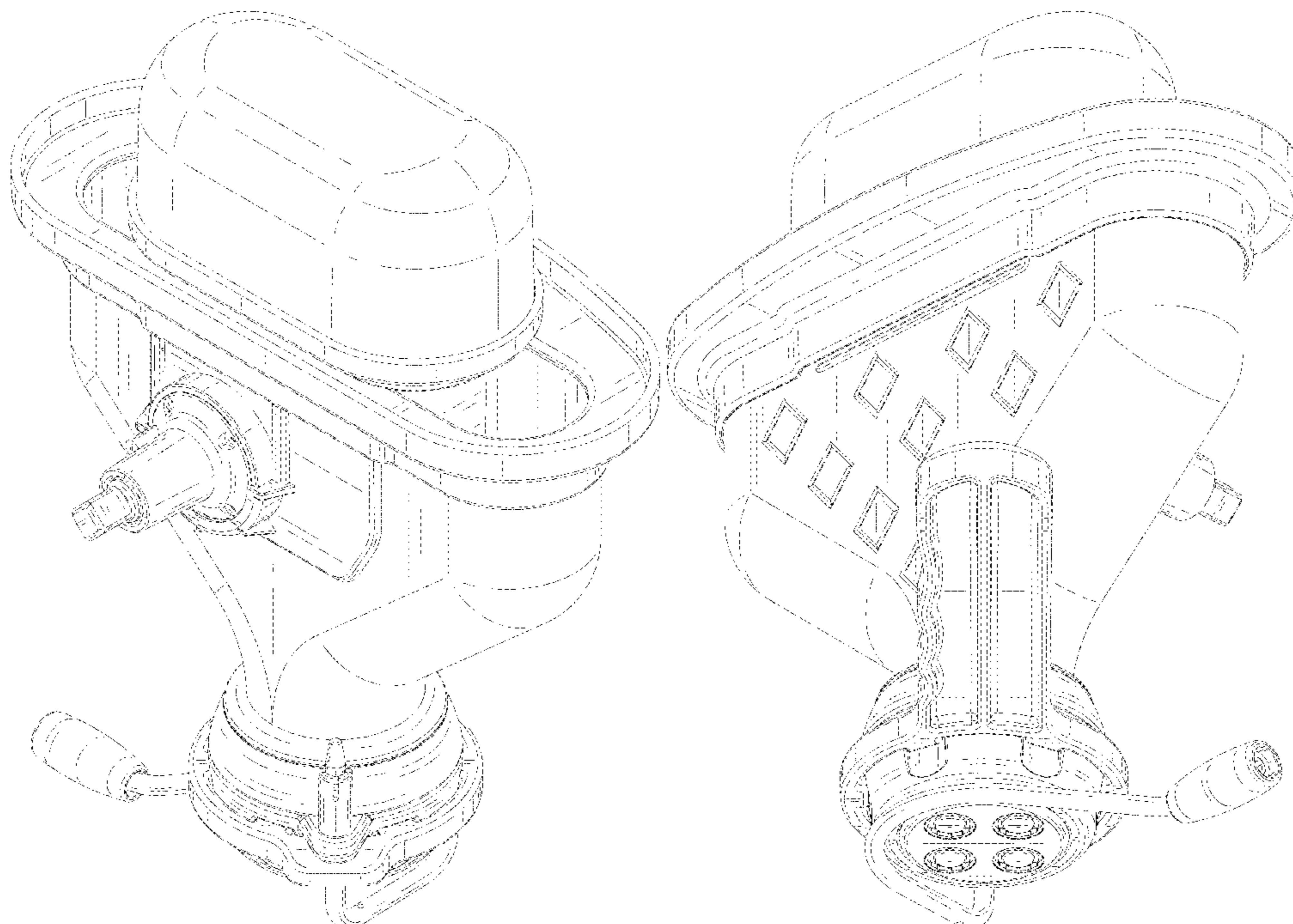
(57) **CLAIM**

The ornamental design for a pasta press attachment, as
shown and described.

DESCRIPTION

FIG. 1 is a perspective view of a pasta press attachment,
showing my new design;
FIG. 2 is another perspective view thereof;
FIG. 3 is a front view thereof;
FIG. 4 is a rear view thereof;
FIG. 5 is a left side view thereof;
FIG. 6 is a right side view thereof;
FIG. 7 is a top plan view thereof; and,
FIG. 8 is a bottom plan view thereof.

1 Claim, 8 Drawing Sheets



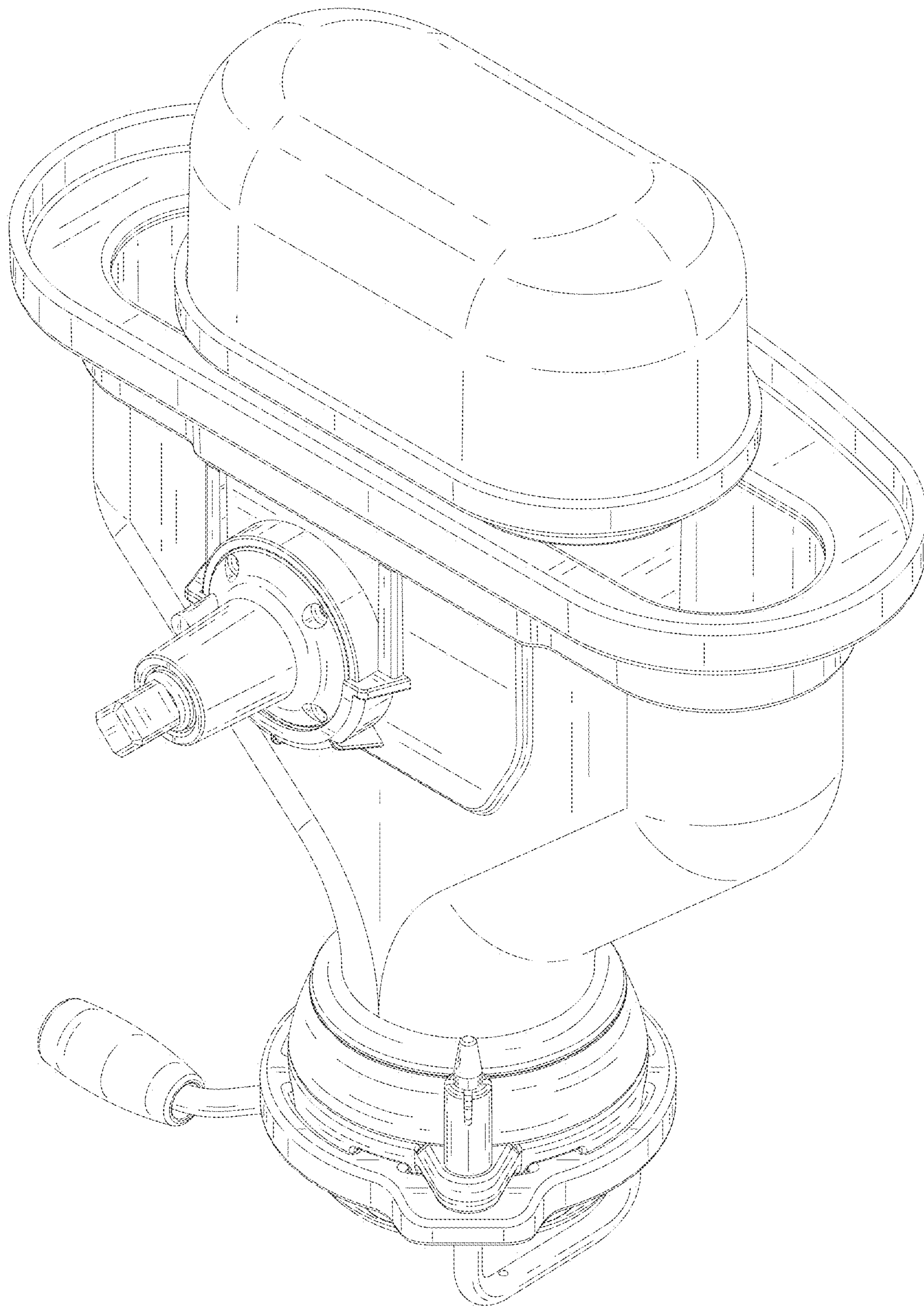


FIG. 1

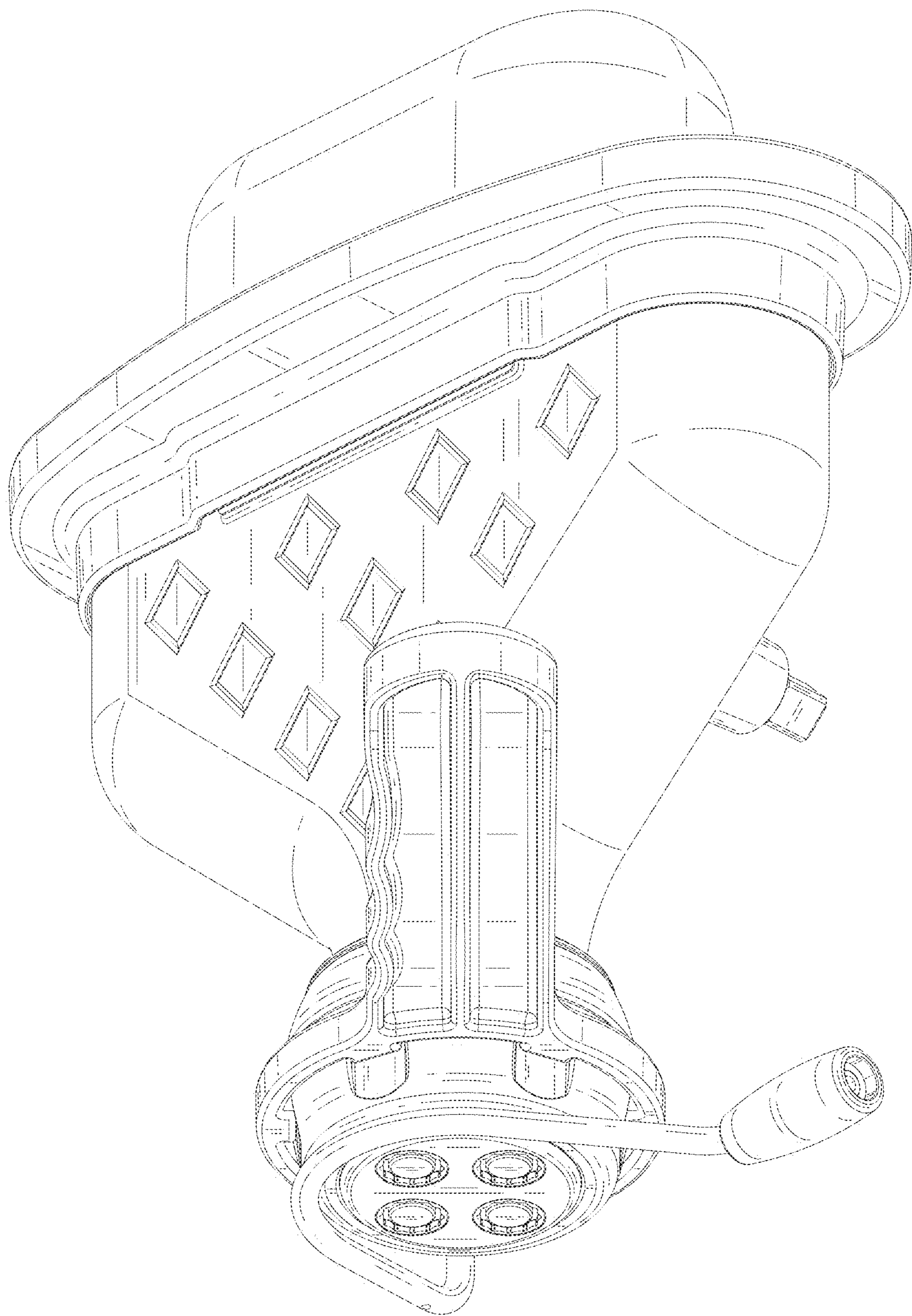


FIG. 2

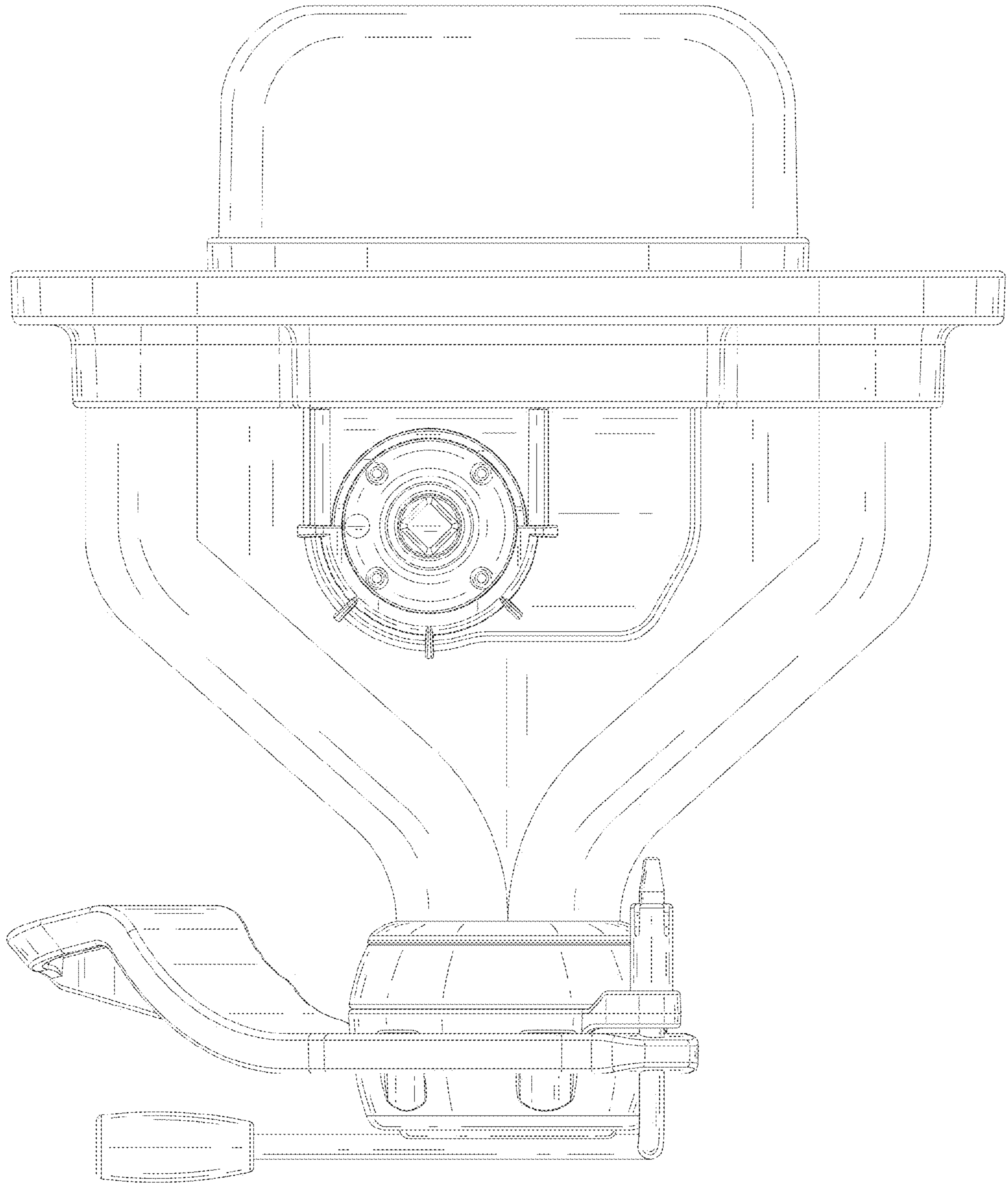


FIG. 3

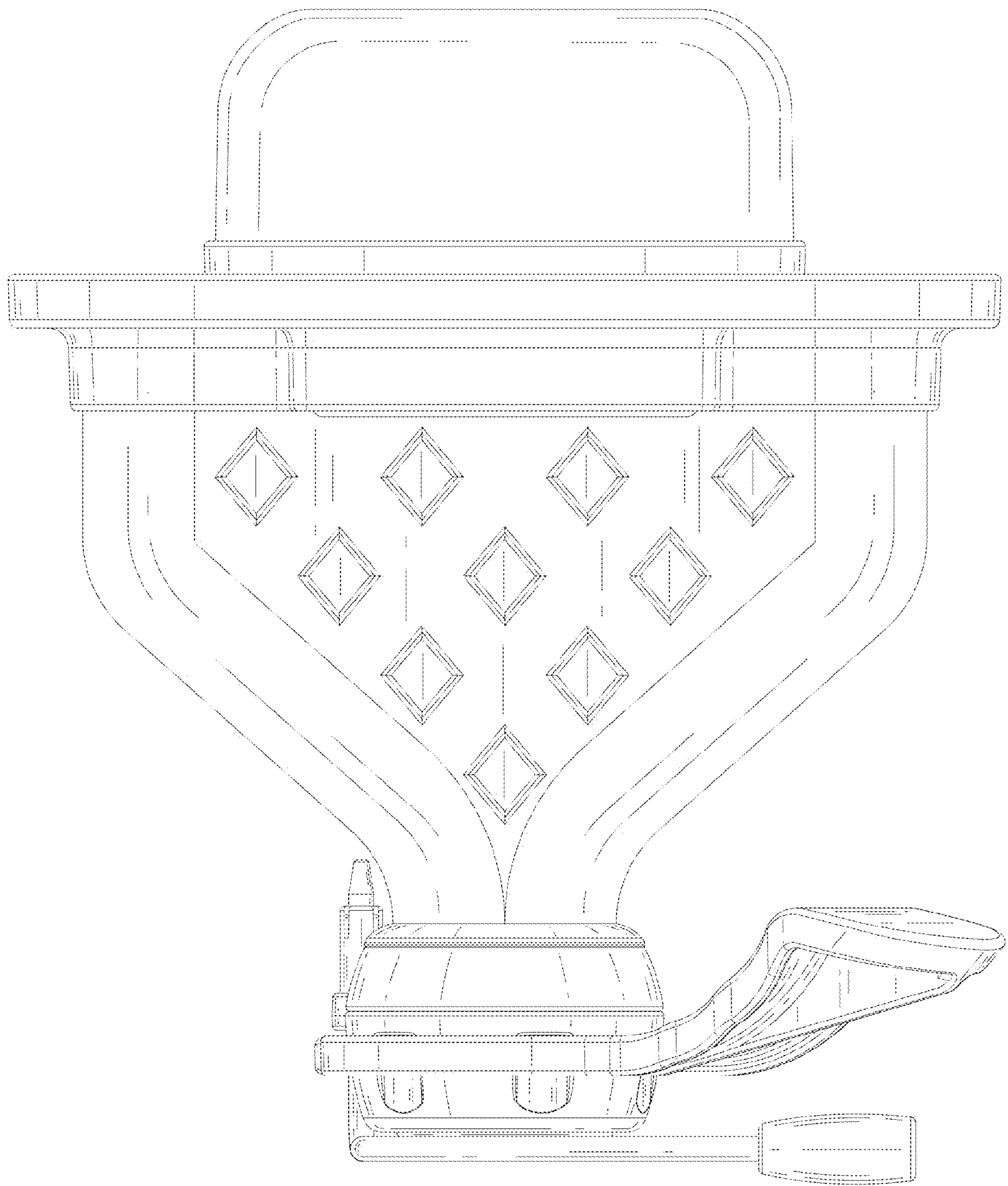


FIG. 4

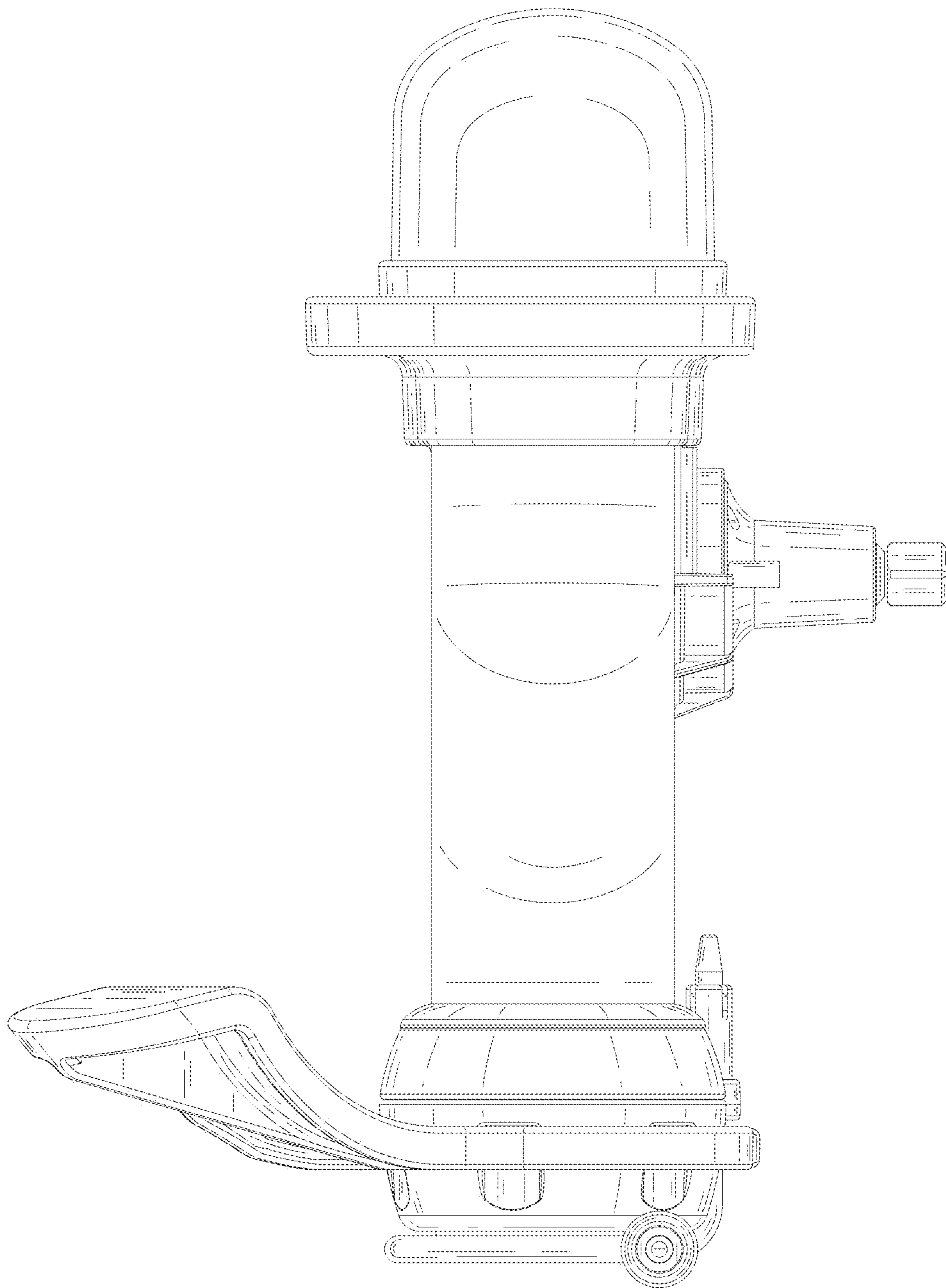


FIG. 5

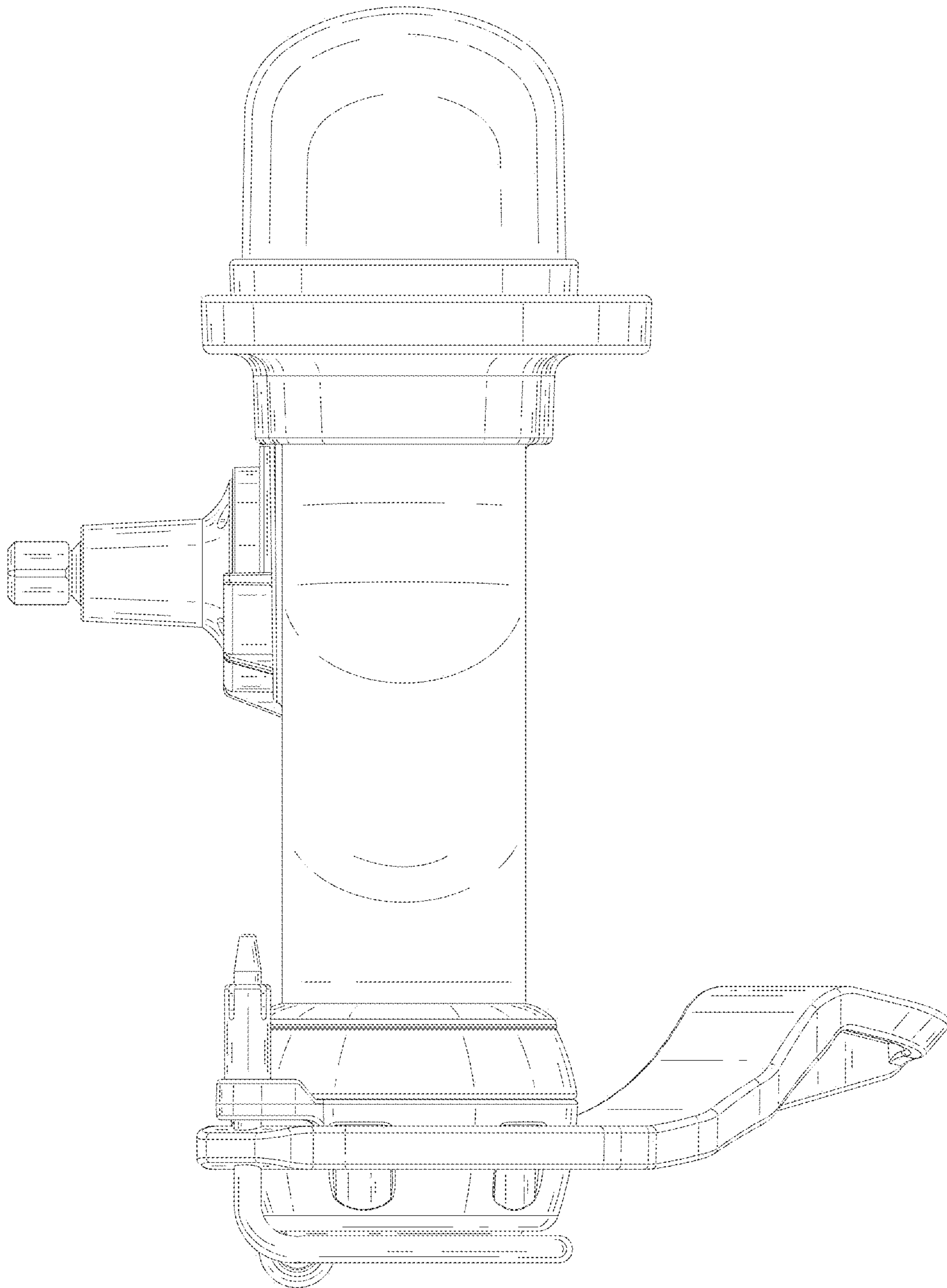


FIG. 6

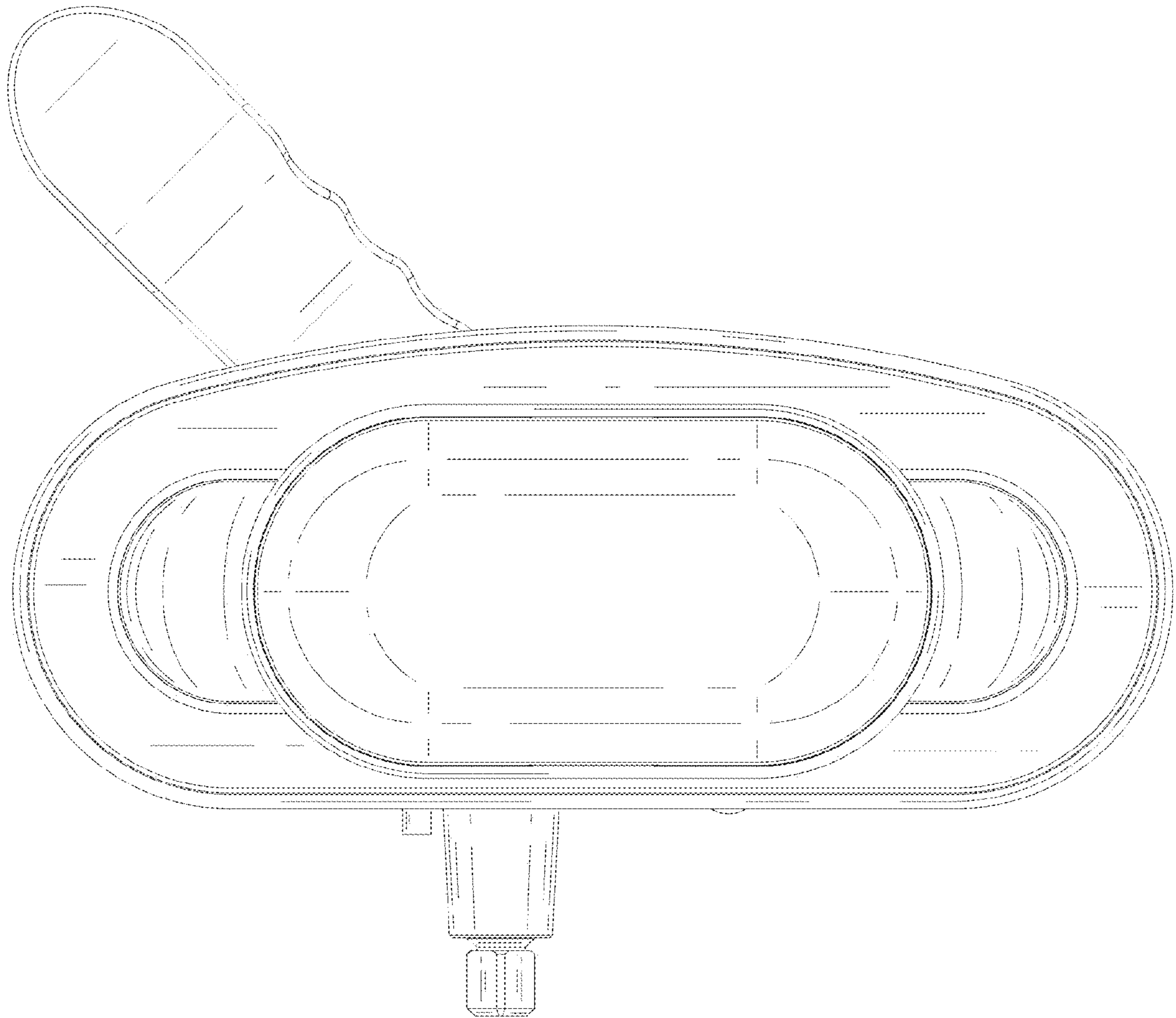


FIG. 7

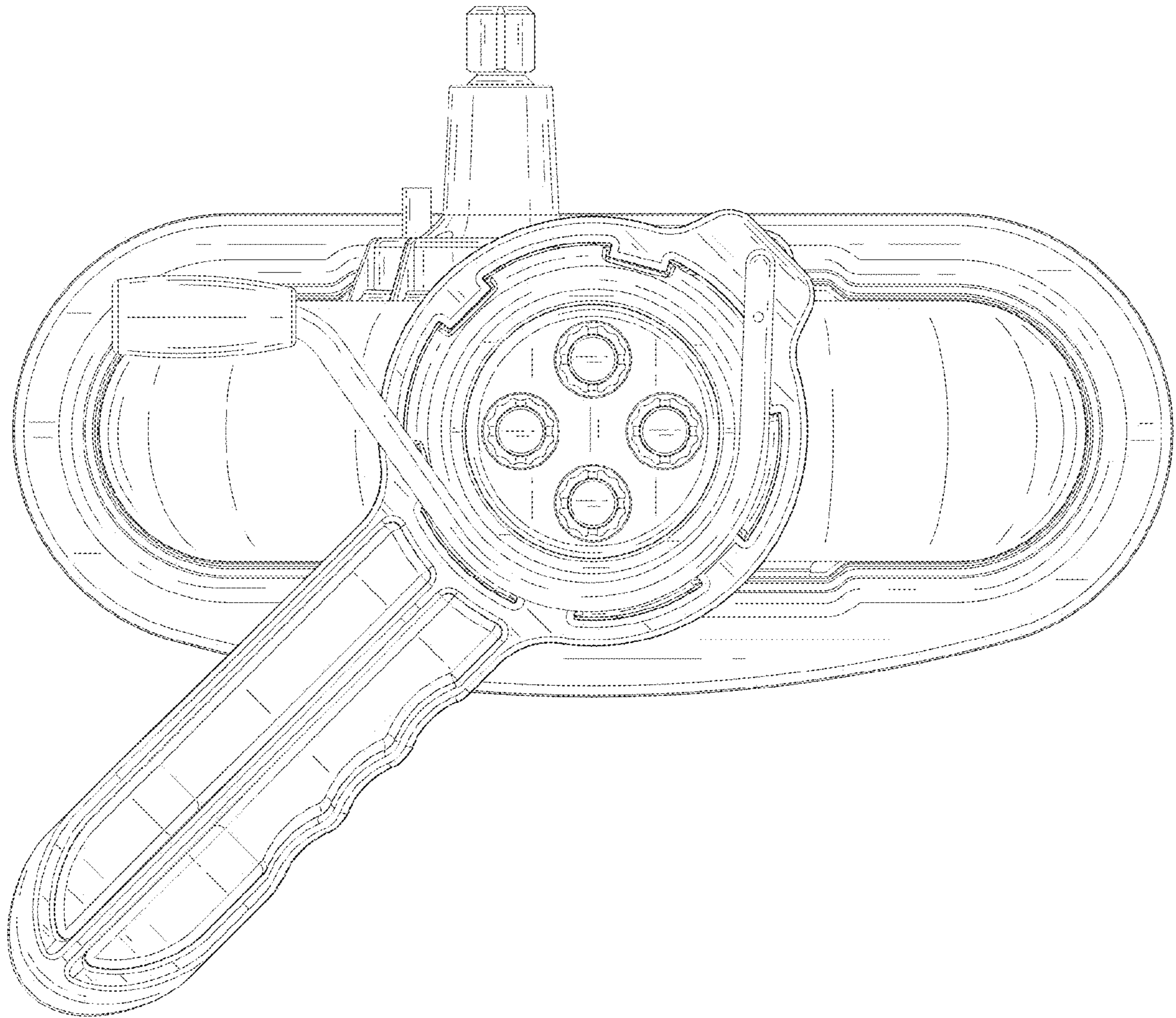


FIG. 8