



US00D973437S

(12) **United States Design Patent** (10) **Patent No.:** **US D973,437 S**
Pamplin (45) **Date of Patent:** **** Dec. 27, 2022**

(54) **LID OF A BATTERY-POWERED PORTABLE BLENDER**

(71) Applicant: **BlendJet Inc.**, Benicia, CA (US)
(72) Inventor: **Ryan Michael Pamplin**, San Juan, PR (US)
(73) Assignee: **BlendJet Inc.**, Benicia, CA (US)

(**) Term: **15 Years**
(21) Appl. No.: **29/759,294**

(22) Filed: **Nov. 20, 2020**
(51) **LOC (13) Cl.** **07-04**
(52) **U.S. Cl.**
USPC **D7/412**

(58) **Field of Classification Search**
USPC D7/305, 306, 368, 372, 376, 377, 378, D7/379, 380, 381, 382, 383, 384, 385, D7/386, 412, 413, 414, 415, 665, 679, D7/693, 694, 391, 392, 392.1, 396.1, D7/396.2, 507, 509, 510, 511, 534, 543; D9/435, 439, 440, 443, 447, 449, 450, D9/454, 516, 767, 772, 780
CPC A21C 1/02; A21C 1/04; A23N 1/00; A23N 1/02; A47J 36/10; A47J 43/04; A47J 43/042; A47J 43/046; A47J 43/0711; A47J 43/0716; A47J 43/0722; A47J 43/0727; A47J 43/075; A47J 43/0761; A47J 43/085; A47J 43/087; A47J 43/25; B02C 1/08; B02C 2/04; B02C 4/42; B02C 4/142; B02C 4/143; B02C 4/423; B02C 13/1835; B28C 5/10; B28C 5/14; B28C 5/16; A45D 33/18; A45D 33/26; A45D 33/28; A47G 19/22; A47G 19/2272; B65D 43/02; B65D 47/122; B65D 47/40; B65D 83/205; B65D 83/206; B65D 83/40; B65D 2543/00; B65D

(Continued)

(56) **References Cited**

U.S. PATENT DOCUMENTS

903,927 A 11/1908 Wendler
D123,477 S 11/1940 Fetman et al.
3,931,494 A 1/1976 Fisher
(Continued)

FOREIGN PATENT DOCUMENTS

CN 201398891 2/2010
CN 101258964 B 7/2011
(Continued)

OTHER PUBLICATIONS

Mialoe Portable Juicer Blender, posted at Amazon.com on Oct. 12, 2017, [site visited Jul. 27, 2022]. Available from internet, URL: <<https://www.amazon.com/Portable-Updated-Rechargeable-Magnetic-Electric/dp/B076DFV3KT?th=1>> (Year: 2017).*

(Continued)

Primary Examiner — Samantha Wood
Assistant Examiner — Chariton Alexakis
(74) *Attorney, Agent, or Firm* — Esplin & Associates, PC

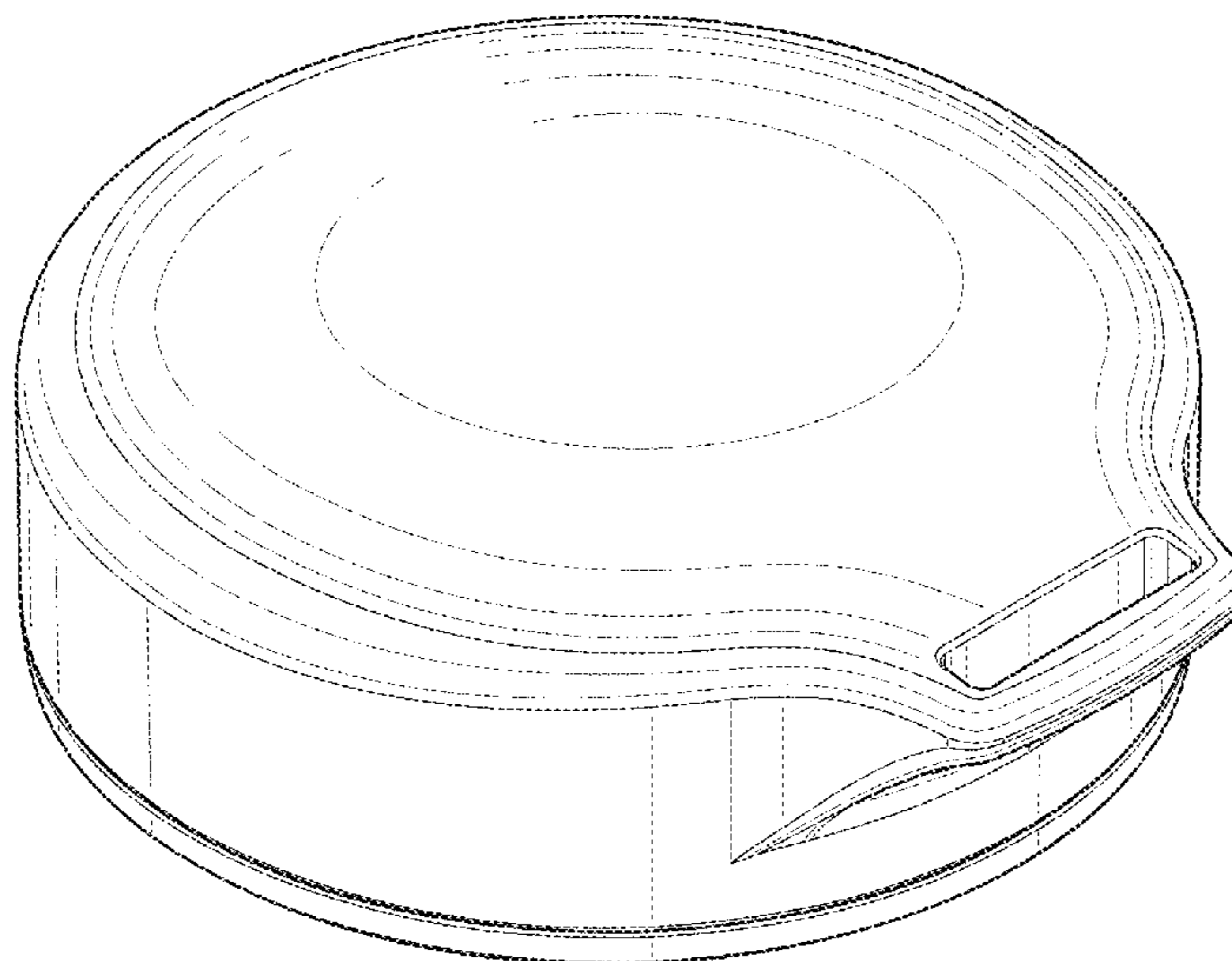
(57) **CLAIM**

The ornamental design for a lid of a battery-powered portable blender, as shown and described.

DESCRIPTION

FIG. 1 is a top-left perspective view of a lid of a battery-powered portable blender showing the new design; FIG. 2 is a bottom-left perspective view thereof; FIG. 3 is a left view thereof; FIG. 4 is a right view thereof; FIG. 5 is a front view thereof; FIG. 6 is a rear view thereof; FIG. 7 is a top view thereof; and, FIG. 8 is a bottom view thereof.

1 Claim, 8 Drawing Sheets



(58) **Field of Classification Search**
 CPC 2543/00138; B65D 2543/00046; B65D
 2543/00074; B65D 2543/00092
 See application file for complete search history.

(56) **References Cited**

U.S. PATENT DOCUMENTS

4,095,090 A 6/1978 Pianezza
 D260,350 S 8/1981 Kahlcke
 4,435,084 A 3/1984 Calhoun
 D274,792 S 7/1984 Price
 4,487,509 A 12/1984 Boyce
 4,629,131 A 12/1986 Podell
 4,741,482 A 5/1988 Coggiola
 D315,475 S 3/1991 Finger
 D343,987 S 2/1994 Rotte
 D349,650 S * 8/1994 Lonczak D9/449
 5,425,579 A 6/1995 Sampson
 5,639,161 A 6/1997 Sirianni
 5,720,552 A 2/1998 Schindlegger
 5,908,037 A 6/1999 Pierson
 5,911,504 A 6/1999 Schindlegger, Jr.
 D417,815 S 12/1999 Endres
 D448,236 S 9/2001 Murray
 6,331,070 B1 12/2001 Desai
 D471,455 S * 3/2003 Laveault D9/443
 6,568,843 B1 5/2003 Lai
 6,614,206 B1 9/2003 Wong
 6,796,705 B1 9/2004 Khubani
 D504,818 S * 5/2005 Bakic D9/449
 6,962,432 B2 11/2005 Hofeldt
 D518,994 S 4/2006 Lin
 D522,318 S 6/2006 McGuyer
 D536,975 S * 2/2007 Smith D9/449
 D548,523 S 8/2007 Greenspon
 D550,506 S 9/2007 Spitzer
 D560,445 S 1/2008 Tardif
 7,314,307 B2 1/2008 Cai
 7,364,348 B1 4/2008 Jones
 7,384,182 B2 6/2008 Bhavnani
 7,422,362 B2 9/2008 Sands
 D580,702 S 11/2008 Holcomb
 D587,136 S * 2/2009 Friebe D9/772
 7,518,343 B2 4/2009 Veselic
 D603,215 S 11/2009 Hollinger
 D603,704 S 11/2009 Jost
 D617,145 S 6/2010 Picozza
 D621,206 S 8/2010 Matta
 D634,155 S 3/2011 Duncan
 D635,019 S * 3/2011 Goto D9/434
 7,938,574 B2 5/2011 McGill
 D640,502 S 6/2011 Picozza
 D640,556 S 6/2011 Bragg
 D663,202 S * 7/2012 Biesecker D9/449
 D669,304 S 10/2012 Bock
 D686,869 S 7/2013 Shoshan
 D690,152 S 9/2013 Palermo
 D701,615 S 3/2014 Pluska
 D716,096 S 10/2014 Krooshof
 8,851,739 B2 10/2014 Gonzalez
 D723,872 S * 3/2015 Kostler D7/510
 D728,302 S 5/2015 Vu
 9,035,222 B2 5/2015 Alexander
 9,039,274 B1 5/2015 Corda
 D731,242 S 6/2015 Machovina
 9,134,020 B1 9/2015 Wells
 D742,683 S 11/2015 Kim
 D765,462 S 9/2016 Davies
 D765,463 S 9/2016 Affatato
 9,549,639 B2 1/2017 Garr
 D782,866 S 4/2017 Suess
 D784,071 S 4/2017 Davies
 D784,808 S * 4/2017 Berroa Garcia D9/434
 D785,402 S * 5/2017 Shirley D9/449
 D786,614 S 5/2017 Smith
 D789,139 S 6/2017 Repac

D789,735 S 6/2017 Palermo
 D793,803 S 8/2017 Patel
 D794,385 S 8/2017 Lee
 D799,963 S * 10/2017 Akiyama D9/454
 D801,109 S 10/2017 Lee
 9,775,467 B2 10/2017 Sapire
 9,787,130 B2 10/2017 Kim
 9,801,498 B2 10/2017 Fach
 9,814,331 B2 11/2017 Alexander
 D804,258 S 12/2017 Kim
 9,839,326 B2 12/2017 Sapire
 D815,486 S 4/2018 Suess
 D816,394 S 5/2018 Yeung
 D816,994 S 5/2018 Fischer
 D817,080 S 5/2018 Seidl
 10,010,213 B2 7/2018 Alexander
 D826,631 S * 8/2018 Baron D7/392.1
 D829,042 S 9/2018 Duan
 D829,496 S 10/2018 Kim
 D830,766 S * 10/2018 Treacy D7/392
 D832,641 S 11/2018 Sapire
 D836,385 S 12/2018 Arzunyan
 10,143,980 B1 12/2018 Marko
 10,188,229 B2 1/2019 Alexander
 D842,020 S 3/2019 Augustyn
 D847,557 S 5/2019 Kraemer
 10,299,629 B2 5/2019 Bascom
 10,299,632 B2 5/2019 Vu
 D850,259 S * 6/2019 Wiggins D9/449
 D853,184 S * 7/2019 de Groote D7/392.1
 10,362,903 B2 7/2019 Mizrahi
 D856,083 S 8/2019 Lawson-Shanks
 10,383,482 B1 8/2019 Pamplin
 10,391,461 B2 8/2019 Alfoudari
 D867,806 S 11/2019 Bodum
 D867,807 S 11/2019 Bodum
 D871,831 S 1/2020 Liu
 D873,601 S 1/2020 Sirju
 10,617,260 B2 4/2020 Sapire
 D885,124 S 5/2020 Yessin
 D885,824 S * 6/2020 Neputy D7/392.1
 D889,260 S 7/2020 Hiltser
 D891,191 S * 7/2020 Binyk D7/602
 10,702,837 B1 7/2020 Pamplin
 D894,679 S 9/2020 Cheng
 D895,348 S 9/2020 Vignau-Lous
 D896,566 S 9/2020 Wang
 10,792,630 B1 10/2020 Pamplin
 10,799,071 B2 10/2020 Pamplin
 D900,530 S 11/2020 Kim
 10,828,612 B1 11/2020 Pamplin
 D903,400 S 12/2020 Li
 D904,822 S 12/2020 Koszylko
 D905,494 S 12/2020 Pataki
 D905,496 S * 12/2020 Pamplin D7/378
 D908,428 S 1/2021 Pamplin
 D911,107 S 2/2021 Pamplin
 D913,035 S 3/2021 McCabe
 D916,549 S 4/2021 Li
 D918,636 S 5/2021 Mangiarotti
 D918,719 S * 5/2021 Tamarindo D9/446
 D920,736 S 6/2021 Bock
 D921,419 S 6/2021 Lin
 D927,245 S 8/2021 Peng
 D927,924 S 8/2021 Lane
 11,229,891 B2 1/2022 Pamplin
 D943,338 S 2/2022 Feng
 D948,940 S 4/2022 Pamplin
 D953,103 S 5/2022 Pamplin
 2001/0036124 A1 11/2001 Rubenstein
 2002/0117566 A1 8/2002 Cheng
 2002/0141286 A1 10/2002 Wulf
 2004/0159624 A1 8/2004 Miller
 2007/0182367 A1 8/2007 Partovi
 2007/0209528 A1 9/2007 Chang
 2007/0221068 A1 9/2007 Boussemart
 2007/0290555 A1 12/2007 Caren
 2008/0217284 A1 9/2008 Roth
 2008/0259722 A1 10/2008 Sanford

(56)

References Cited

U.S. PATENT DOCUMENTS

| | | | |
|--------------|----|---------|------------------|
| 2008/0265838 | A1 | 10/2008 | Garg |
| 2009/0032627 | A1 | 2/2009 | Krasznai |
| 2010/0005977 | A1 | 1/2010 | Menashes |
| 2010/0301808 | A1 | 12/2010 | David |
| 2011/0024537 | A1 | 2/2011 | Gonzalez |
| 2011/0248108 | A1 | 10/2011 | Carriere |
| 2012/0167781 | A1 | 7/2012 | Lane |
| 2013/0010568 | A1 | 1/2013 | Bodum |
| 2013/0222991 | A1 | 8/2013 | McWilliams |
| 2014/0151479 | A1 | 6/2014 | Wu |
| 2014/0247686 | A1 | 9/2014 | Arnett |
| 2014/0301155 | A1 | 10/2014 | Montgomery |
| 2015/0117137 | A1 | 4/2015 | Haney |
| 2015/0165402 | A1 | 6/2015 | King |
| 2015/0283037 | A1 | 10/2015 | Trejo |
| 2015/0374175 | A1 | 12/2015 | Garr |
| 2016/0114935 | A1 | 4/2016 | Rönnholm |
| 2016/0235243 | A1 | 8/2016 | Grassia |
| 2016/0354740 | A1 | 12/2016 | Gonzalez |
| 2017/0104297 | A1 | 4/2017 | Scott |
| 2017/0110898 | A1 | 4/2017 | Kyriakoulis |
| 2018/0028991 | A1 | 2/2018 | Brotzki |
| 2018/0054142 | A1 | 2/2018 | Williams |
| 2018/0146826 | A1 | 5/2018 | Mizrahi |
| 2018/0160855 | A1 | 6/2018 | Krivos |
| 2018/0221836 | A1 | 8/2018 | Ni |
| 2019/0000275 | A1 | 1/2019 | Sapire |
| 2019/0082893 | A1 | 3/2019 | Faulkner-Edwards |
| 2019/0307287 | A1 | 10/2019 | Magatti |
| 2019/0363567 | A1 | 11/2019 | Kim |
| 2019/0365156 | A1 | 12/2019 | Vu |
| 2020/0061557 | A1 | 2/2020 | Bertsch |
| 2020/0114322 | A1 | 4/2020 | Bertsch |
| 2020/0135391 | A1 | 4/2020 | Kwon |
| 2020/0205615 | A1 | 7/2020 | Pamplin |
| 2020/0345181 | A1 | 11/2020 | Potaki |
| 2020/0359842 | A1 | 11/2020 | Koh |
| 2020/0390286 | A1 | 12/2020 | Pamplin |
| 2021/0354100 | A1 | 11/2021 | Sapire |
| 2022/0107691 | A1 | 4/2022 | Pamplin |
| 2022/0175192 | A1 | 6/2022 | Ahn |
| 2022/0285984 | A1 | 9/2022 | Pamplin |

FOREIGN PATENT DOCUMENTS

| | | | |
|----|-----------|---|--------|
| CN | 102949118 | A | 3/2013 |
| CN | 103841867 | A | 6/2014 |

| | | | |
|----|------------|---|---------|
| CN | 104084076 | A | 10/2014 |
| CN | 104385455 | A | 3/2015 |
| CN | 104473576 | A | 4/2015 |
| CN | 104808545 | A | 7/2015 |
| CN | 204467878 | U | 7/2015 |
| CN | 204520400 | | 8/2015 |
| CN | 205006717 | U | 2/2016 |
| CN | 105615698 | A | 6/2016 |
| CN | 205493613 | | 8/2016 |
| CN | 207194642 | U | 4/2018 |
| CN | 207444802 | U | 6/2018 |
| CN | 207768224 | U | 8/2018 |
| CN | 304785260 | S | 8/2018 |
| CN | 107080417 | B | 10/2018 |
| CN | 108937638 | | 12/2018 |
| CN | 209147461 | U | 7/2019 |
| CN | 210354282 | | 4/2020 |
| EP | 2220980 | | 8/2010 |
| GB | 2506926 | | 4/2014 |
| GB | 6021494 | | 11/2017 |
| JP | D1669689 | * | 9/2020 |
| WO | 2008047106 | | 4/2008 |
| WO | 2017157965 | | 9/2017 |
| WO | 2020191437 | | 10/2020 |

OTHER PUBLICATIONS

Luwldirr Electric Blender, posted at Amazon.com on Nov. 23, 2019, [site visited Jul. 27, 2022]. Available from internet, URL: <<https://www.amazon.com/dp/B081WD4QXC/>> (Year: 2019).*

ECPurchase Portable Blender USB Rechargeable. Date First Available on Amazon.com May 7, 2018. <https://www.amazon.com/Portable-Blender-Rechargeable-Single-Personal/dp/B07CXM3CC3/>. (Year: 2018) (1 page).

PCT International Search Report and Written Opinion, Application No. PCT/US19/63089, dated Feb. 19, 2020, dated 11 pages.

YouTube.com, BlendJet, Jen Selter's BlendJet Green Smoothie Recipe, Mar. 25, 2019, [site visited Nov. 4, 2021], Available on theInternet URL <https://www.youtube.com/shorts/NIFC2ek3Qms> (Year: 2019).

PCT International Search Report, International Application No. PCT/US2020/054447, dated Oct. 29, 2020, 7 pages.

PCT International Search Report and Written Opinion, Application No. PCT PCT/US2020/054471, dated Jan. 5, 2021 (8 pages.).

PCT International Search Report and Written Opinion, Application No. PCT/US2022/018497, dated Jun. 16, 2022, 10 pages.

* cited by examiner

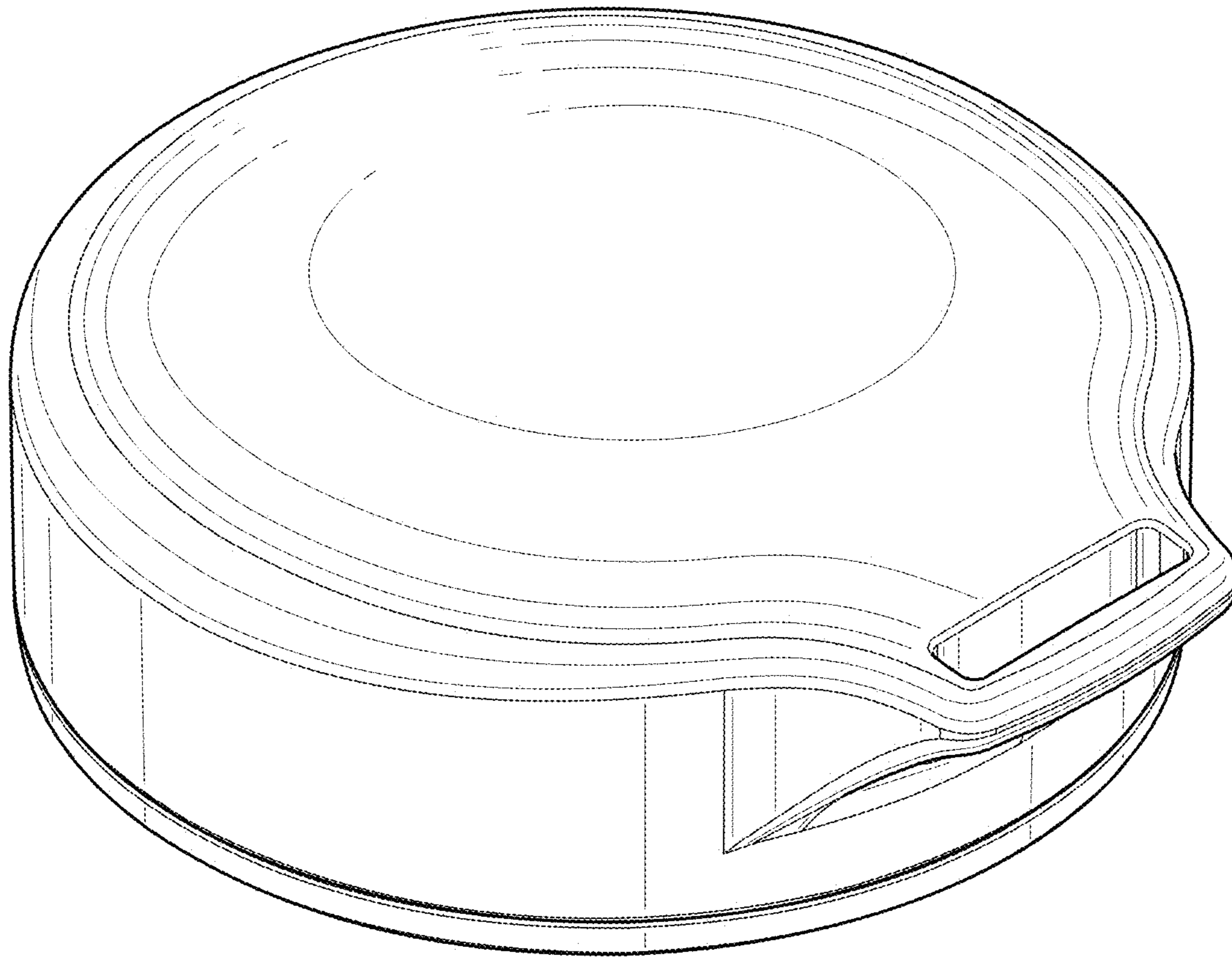


FIG. 1

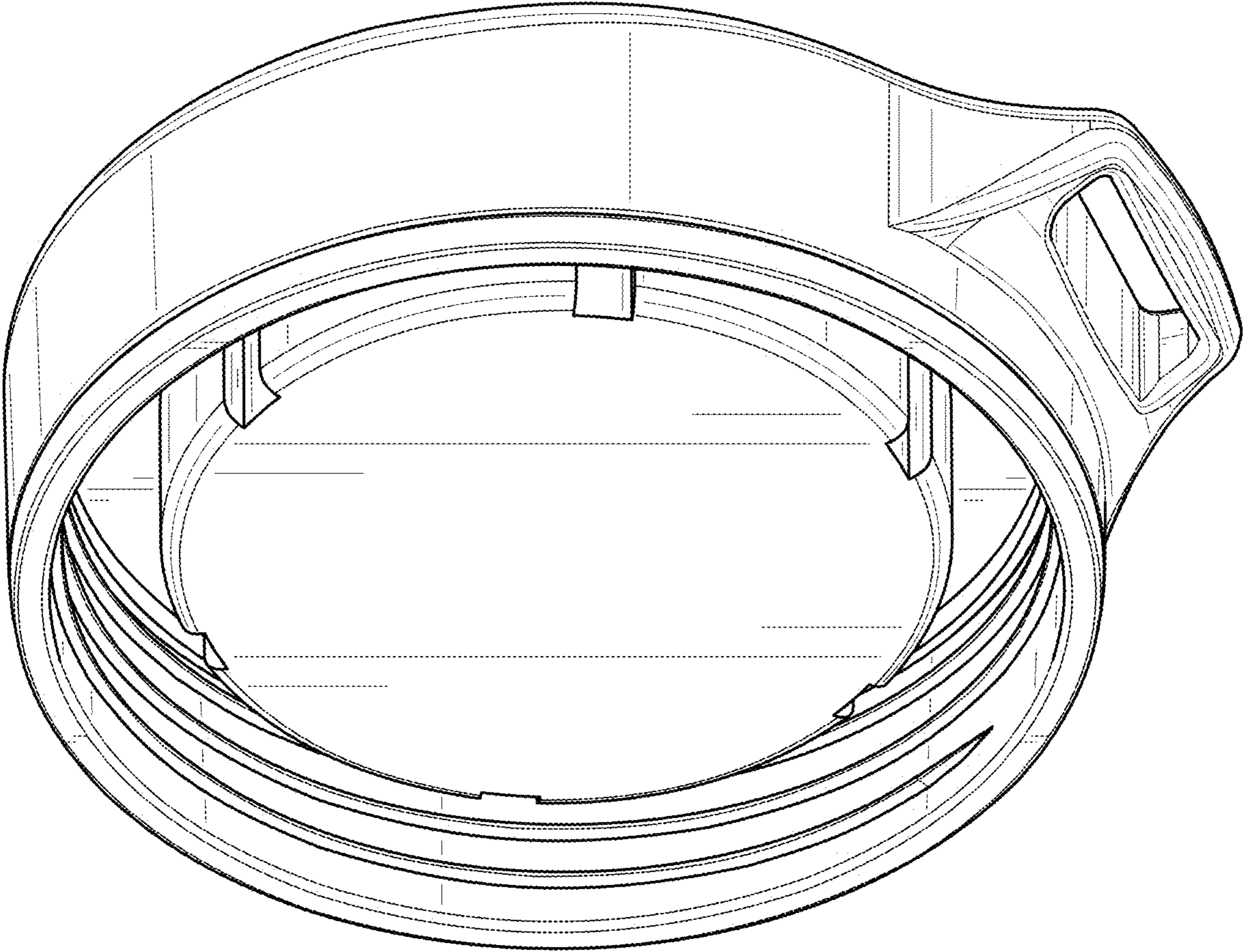


FIG. 2

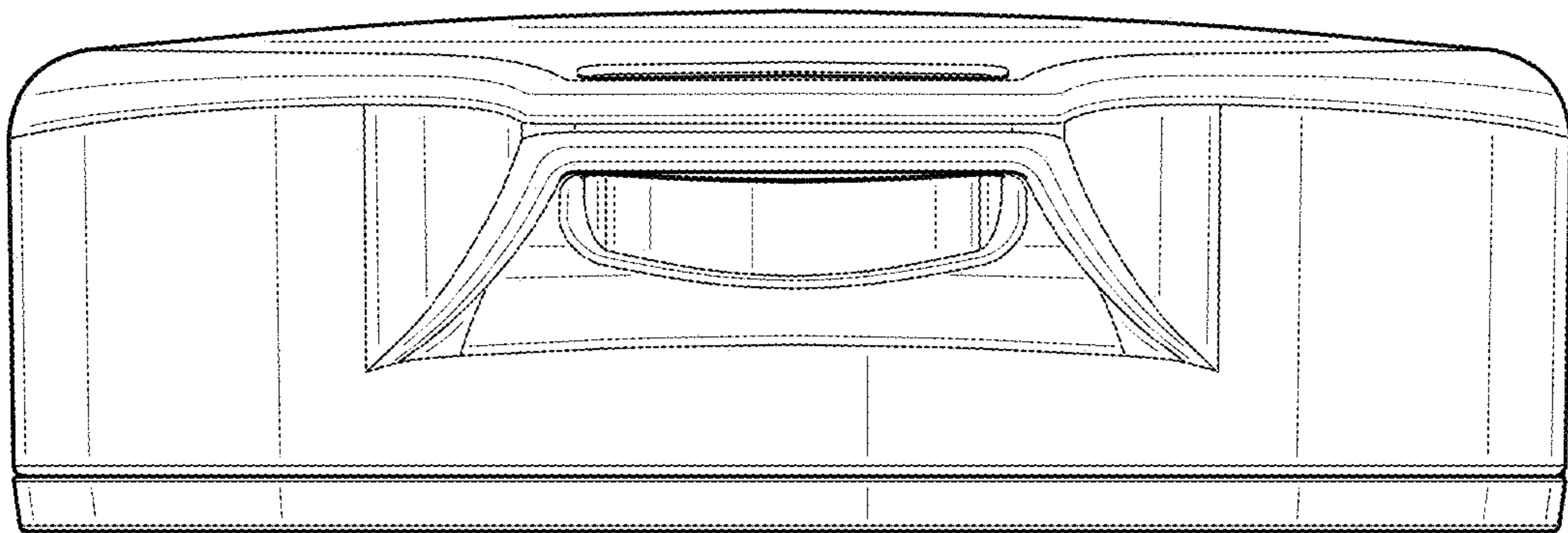


FIG. 3

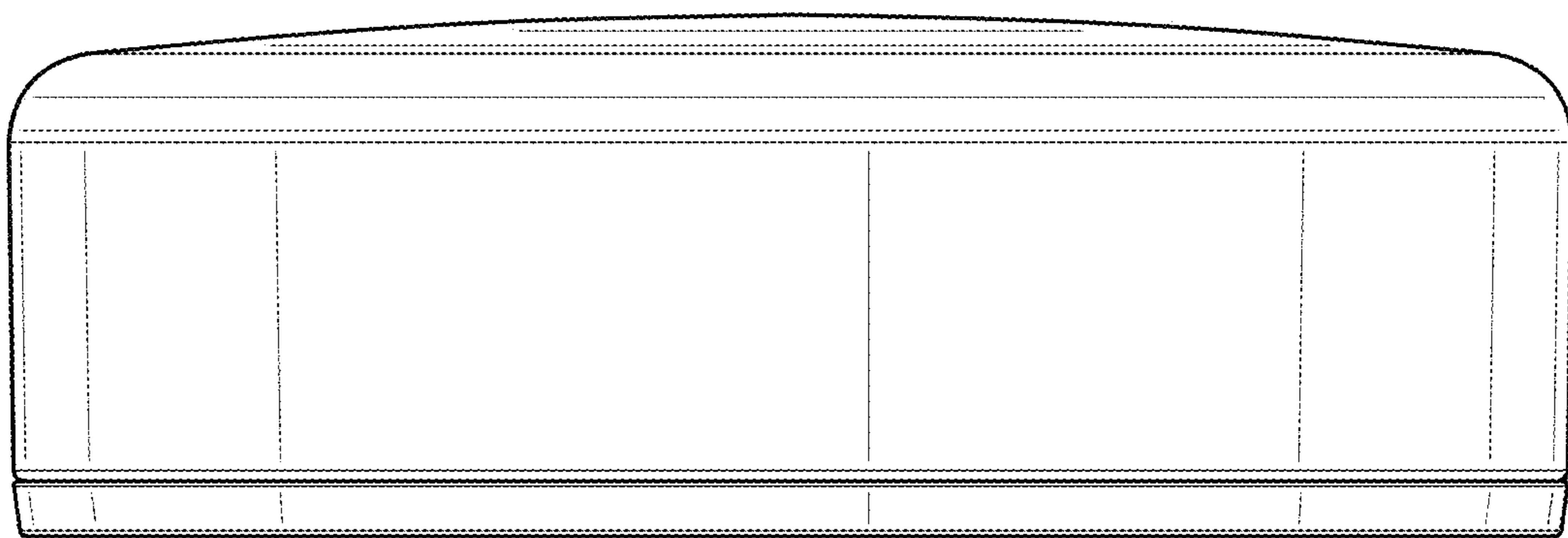


FIG. 4

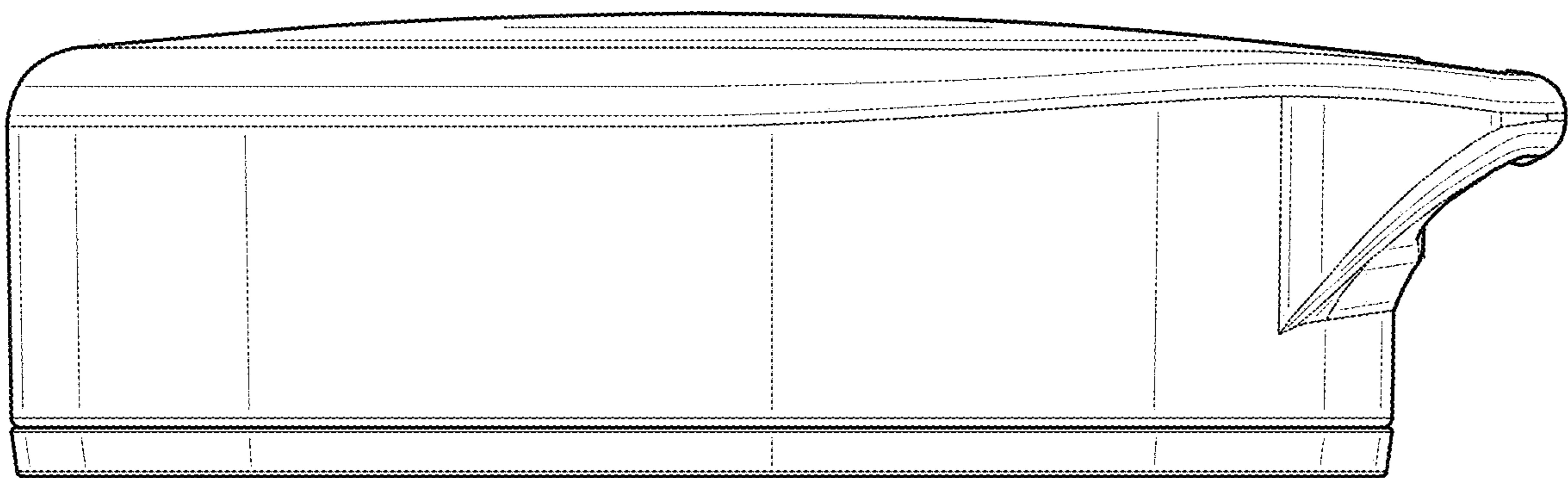


FIG. 5

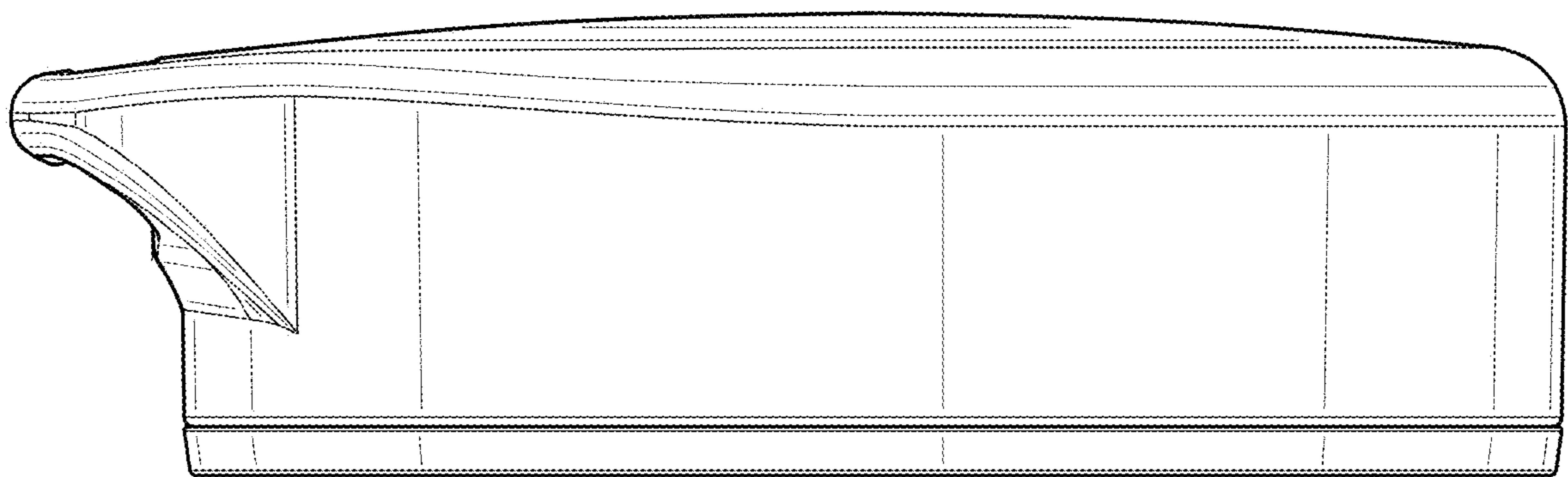


FIG. 6

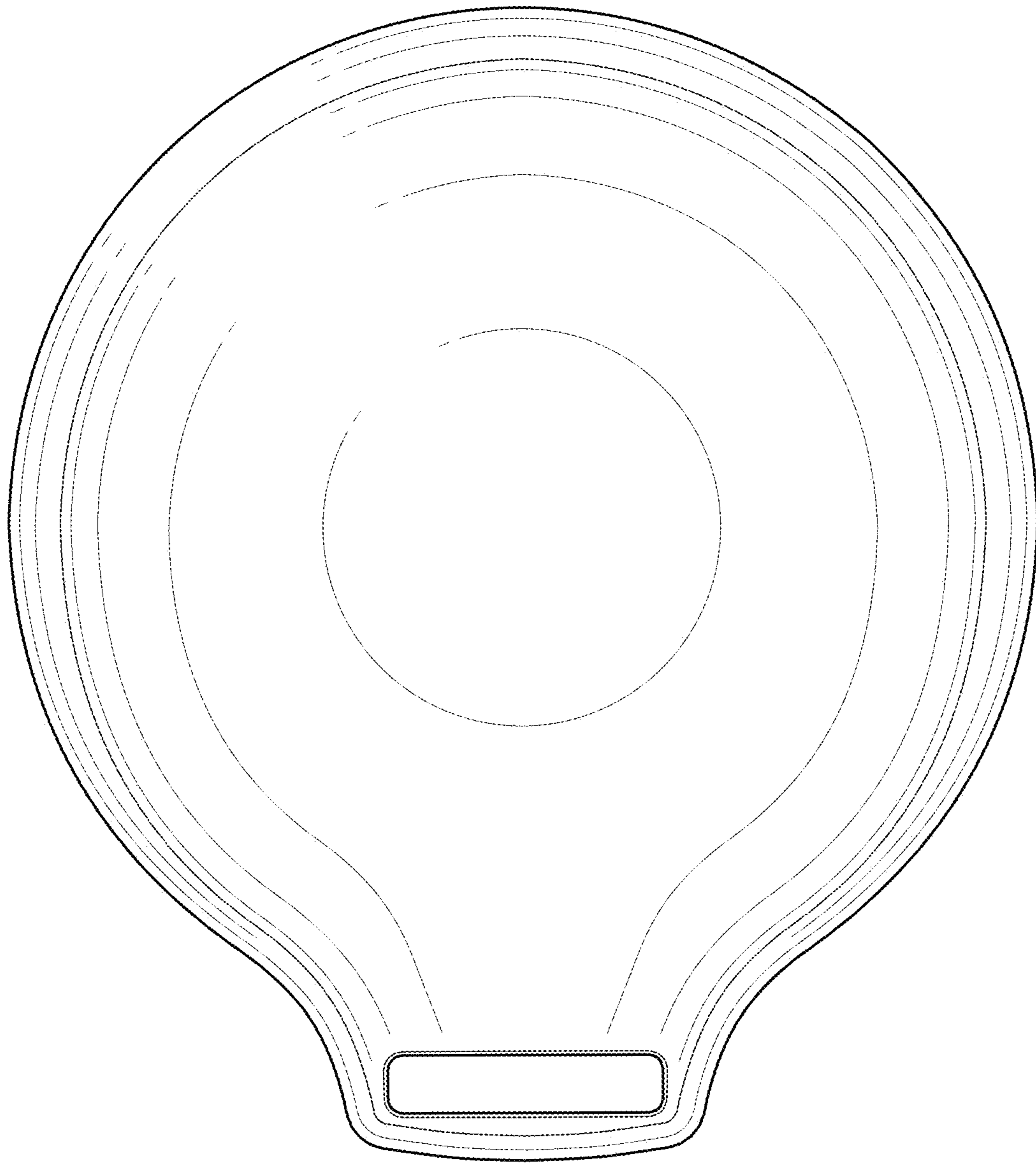


FIG. 7

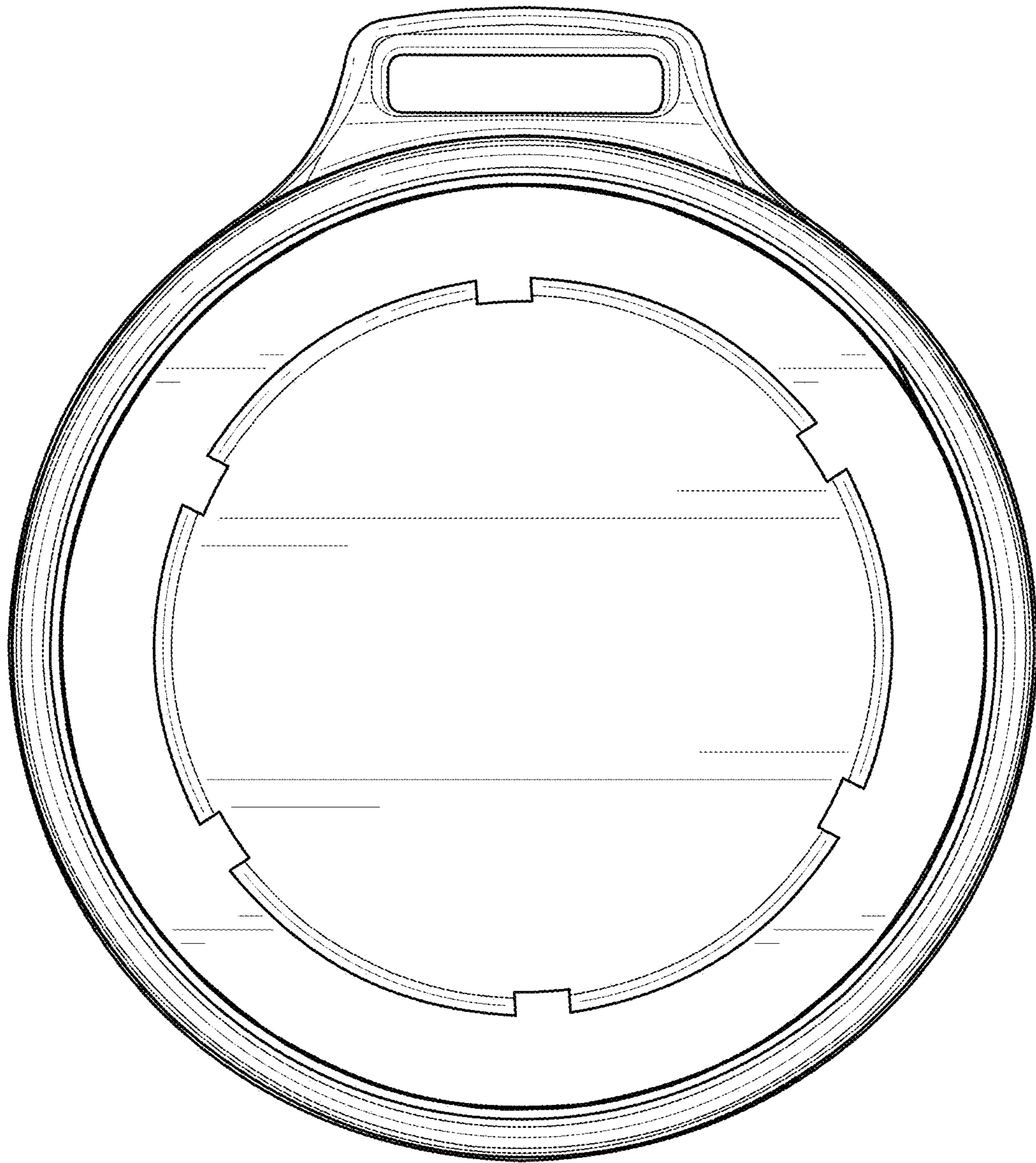


FIG. 8