



US00D973436S

(12) **United States Design Patent** (10) **Patent No.:** **US D973,436 S**  
**Junker et al.** (45) **Date of Patent:** **\*\* Dec. 27, 2022**

(54) **WHISK**

(71) Applicant: **CookingPal Limited**, Kowloon (HK)  
(72) Inventors: **Lars Junker**, Mid-Levels (HK); **Mark Fung**, Kowloon (HK)  
(73) Assignee: **COOKINGPAL LIMITED**, Kowloon (HK)

(\*\*) Term: **15 Years**

(21) Appl. No.: **29/755,065**

(22) Filed: **Oct. 16, 2020**

(30) **Foreign Application Priority Data**

Jul. 13, 2020 (EM) ..... 008038582-0003

(51) **LOC (13) Cl.** ..... **07-04**

(52) **U.S. Cl.**  
USPC ..... **D7/412**

(58) **Field of Classification Search**  
USPC ..... D7/372, 376, 377, 378, 379, 380, 381, D7/382, 383, 384, 385, 386, 402, 412, D7/413, 602, 665, 679, 681, 693, 694; D8/70; D15/28, 138

CPC .... A21C 1/02; A21C 1/04; A23N 1/00; A23N 1/02; A47J 43/04; A47J 43/25; A47J 43/27; A47J 43/042; A47J 43/044; A47J 43/046; A47J 43/075; A47J 43/0711; A47J 43/0722; A47J 43/0727; A47J 43/07; A47J 43/10; A47J 43/12; A47J 42/22; A47J 42/28; A47J 42/38; B01F 3/00; B01F 3/0807; B01F 3/0853; B01F 7/00175; B01F 7/00291; B01F 7/00583; B01F 7/00633; B01F 13/0059; B01F 13/0064; B02C 1/08; B02C 2/04; B02C 4/42; B02C 4/142; B02C 4/143; B02C 4/423; B02C 13/1835; B02C 17/163;  
(Continued)

(56) **References Cited**

U.S. PATENT DOCUMENTS

2,109,614 A \* 3/1938 Dehuff ..... A21C 1/1405  
416/227 R  
4,305,671 A \* 12/1981 Ross ..... B01F 31/445  
366/276

(Continued)

FOREIGN PATENT DOCUMENTS

CN 304155804 \* 6/2017  
CN 304418893 \* 12/2017  
JP D1591387 \* 11/2017

OTHER PUBLICATIONS

Juicer Scraper Tool for Vorwerk, posted at Amazon.com on Dec. 4, 2020, [site visited May 2, 2022]. Available from internet, URL: <<https://www.amazon.com/dp/B08PNW2XXC/>> (Year: 2020).\*

(Continued)

*Primary Examiner* — Andrew Kerr

*Assistant Examiner* — Chariton Vas Alexakis

(74) *Attorney, Agent, or Firm* — Calderon Safran & Cole PC

(57) **CLAIM**

The ornamental design for a whisk, as shown and described.

**DESCRIPTION**

FIG. 1 is a perspective view of a whisk, showing our new design;

FIG. 2 is a front elevation view thereof;

FIG. 3 is a rear elevation view thereof;

FIG. 4 is a left side elevation view thereof;

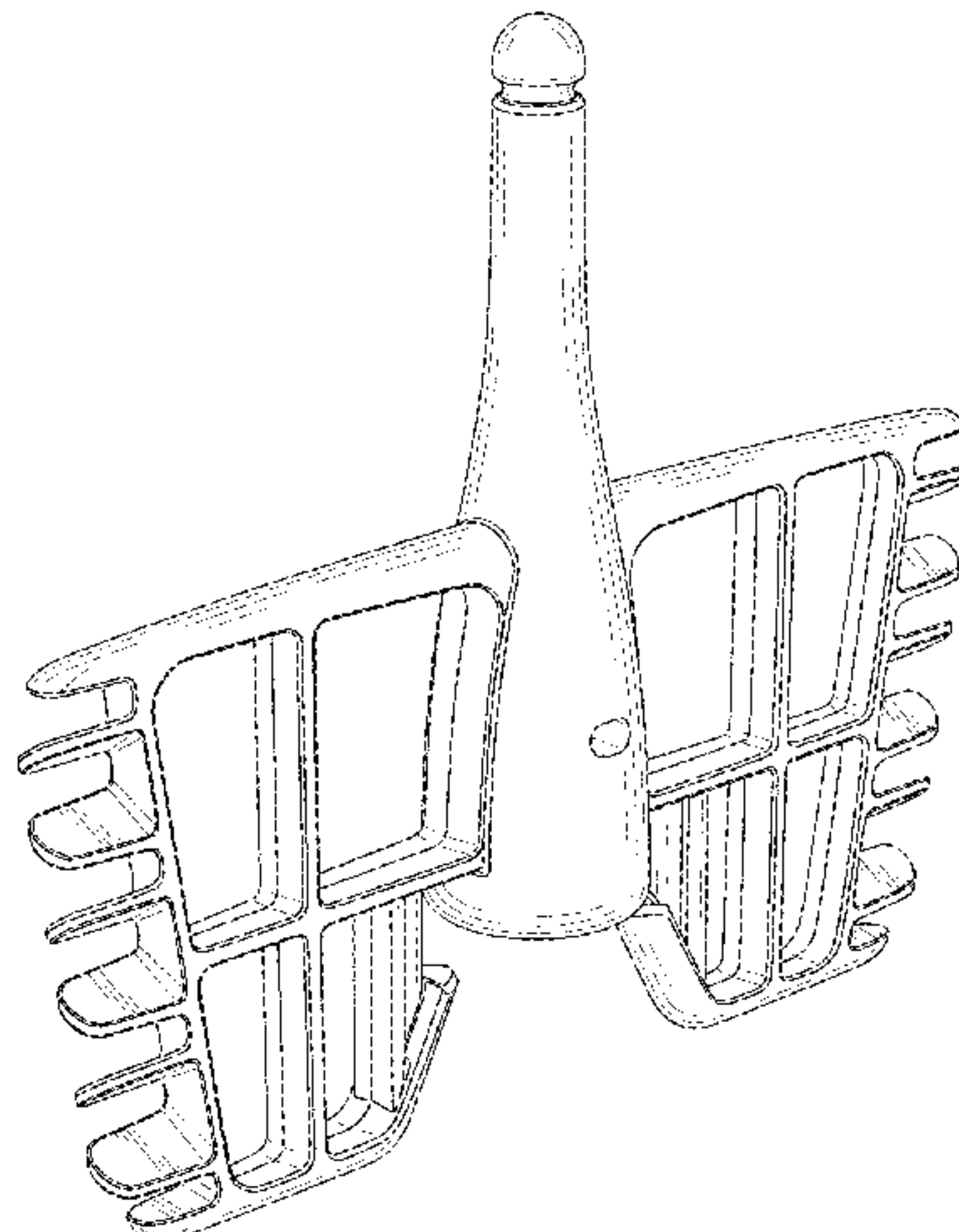
FIG. 5 is a right side elevation view thereof;

FIG. 6 is a top plan view thereof; and,

FIG. 7 is a bottom plan view thereof.

The broken lines in the drawings depict portions of the whisk that form no part of the claimed design.

**1 Claim, 5 Drawing Sheets**



(58) **Field of Classification Search**

CPC ... B28C 5/10; B28C 5/12; B28C 5/14; B28C  
5/16

See application file for complete search history.

(56) **References Cited**

U.S. PATENT DOCUMENTS

4,946,285 A \* 8/1990 Vennemeyer ..... B01F 27/951  
366/288  
5,664,883 A \* 9/1997 Tomassini ..... B01F 27/90  
366/328.3  
D484,657 S \* 12/2003 Scolley ..... D32/54  
D644,875 S \* 9/2011 Audette ..... D7/378  
D654,316 S \* 2/2012 Audette ..... D7/378  
D696,071 S \* 12/2013 Hammad ..... D7/378  
D747,143 S \* 1/2016 Schomacher ..... D7/378  
D852,233 S \* 6/2019 Barone ..... D15/138

OTHER PUBLICATIONS

Food Mixer Butterfly Stirrer, posted at Alibaba.com (date not available), [site visited May 2, 2022]. Available from internet, URL: <[https://www.alibaba.com/product-detail/Food-Mixer-Spare-Part-Blender-Butterfly\\_1600171198437.html](https://www.alibaba.com/product-detail/Food-Mixer-Spare-Part-Blender-Butterfly_1600171198437.html)> (Year: NA).\*

\* cited by examiner

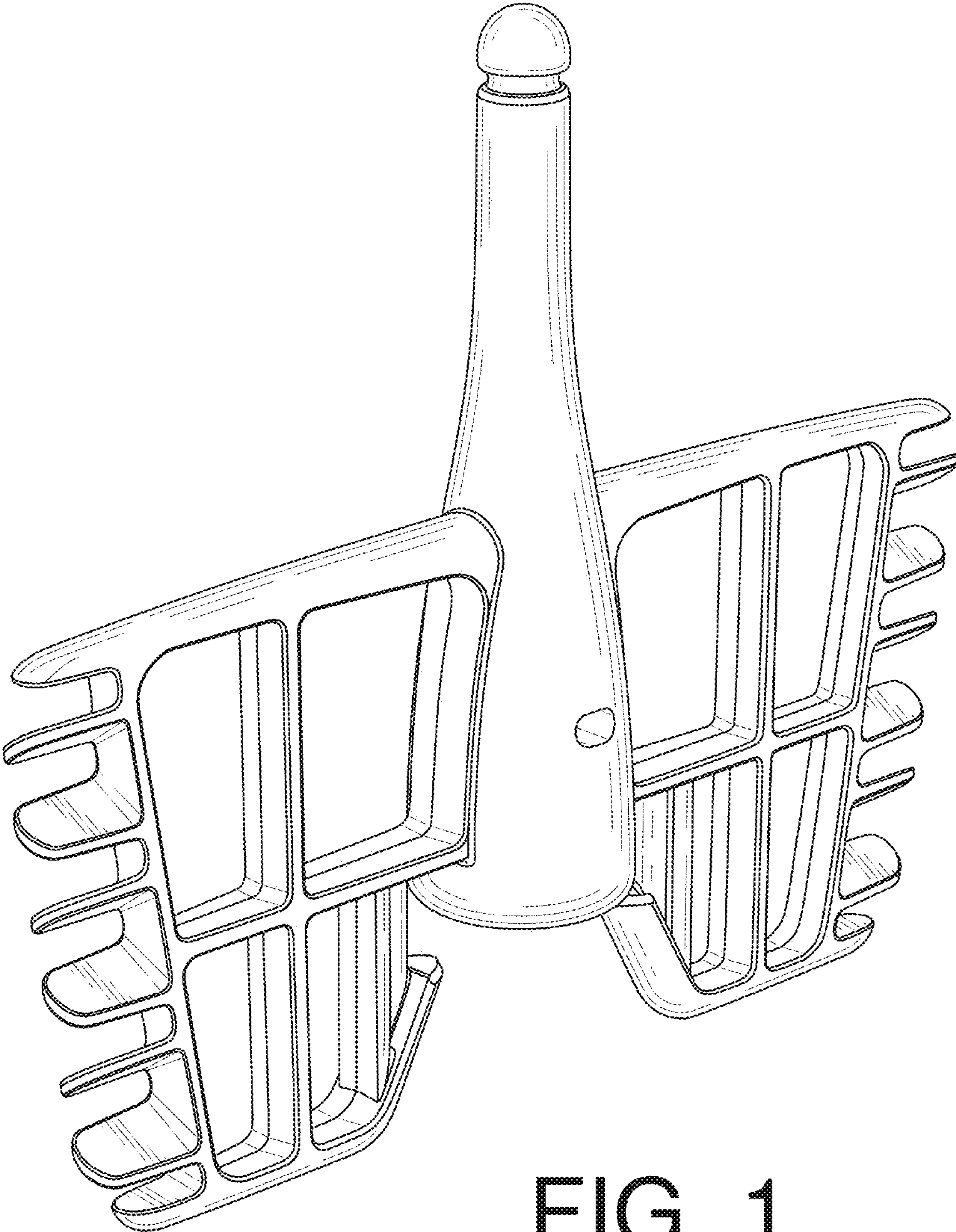


FIG. 1

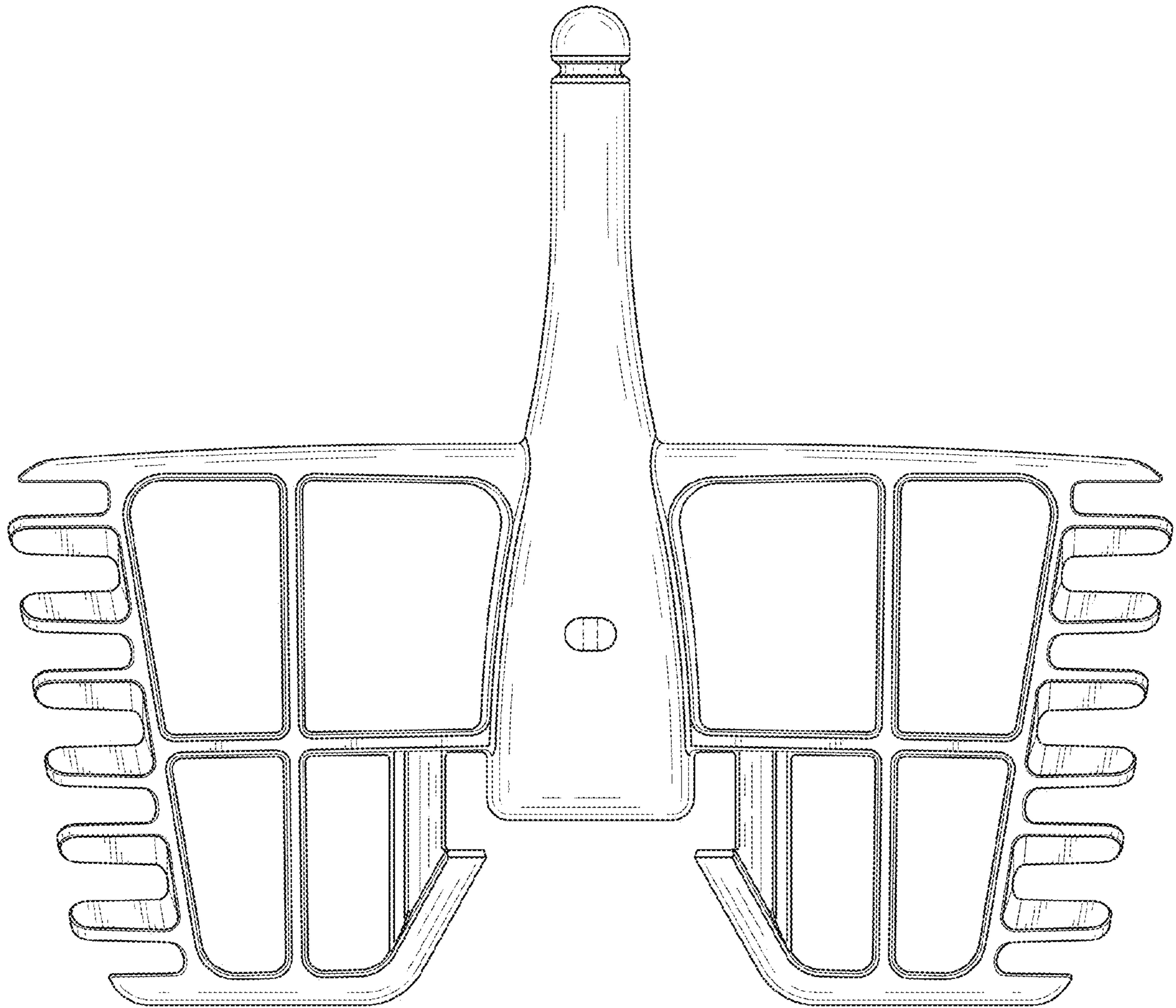


FIG. 2



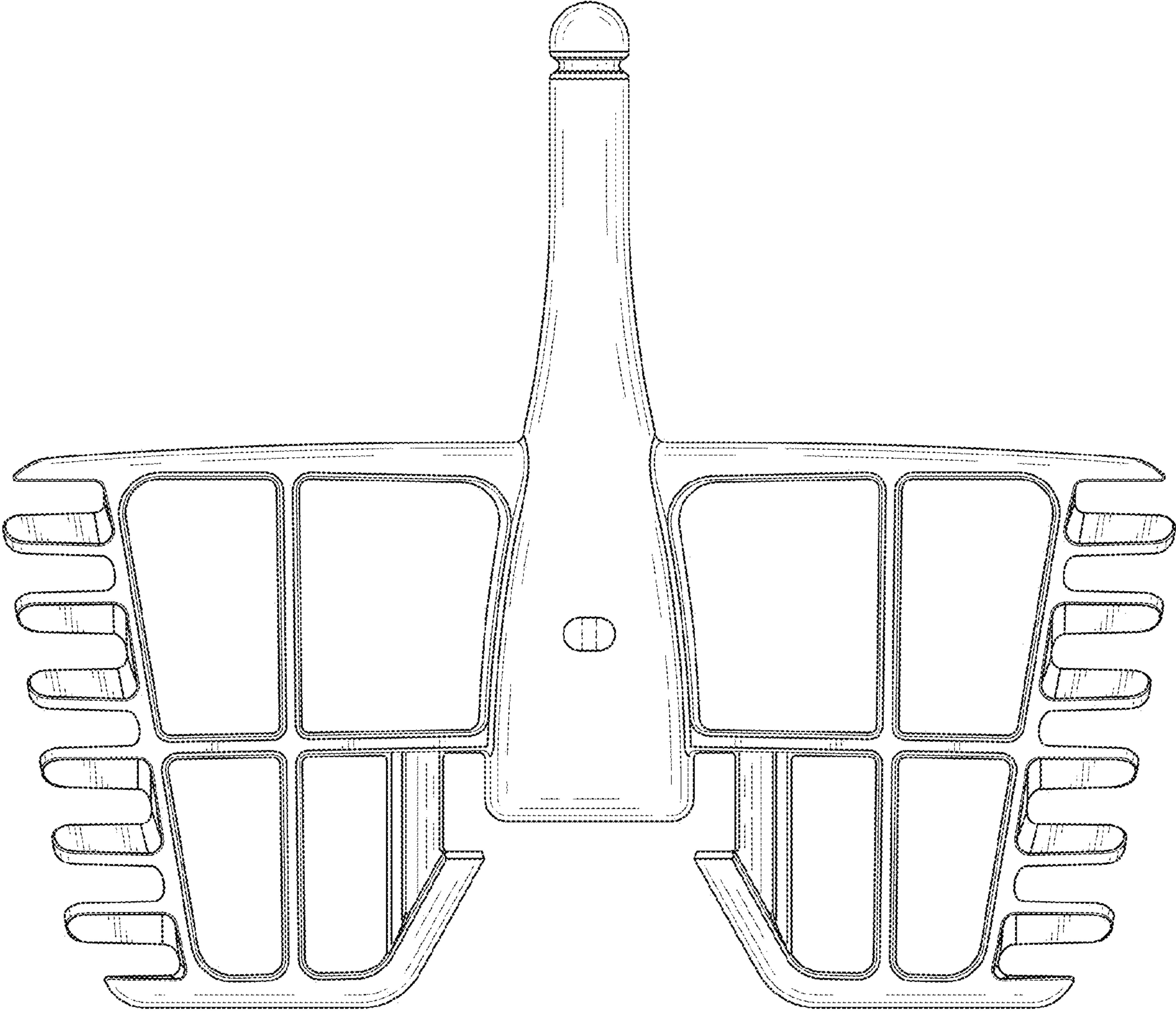


FIG. 3

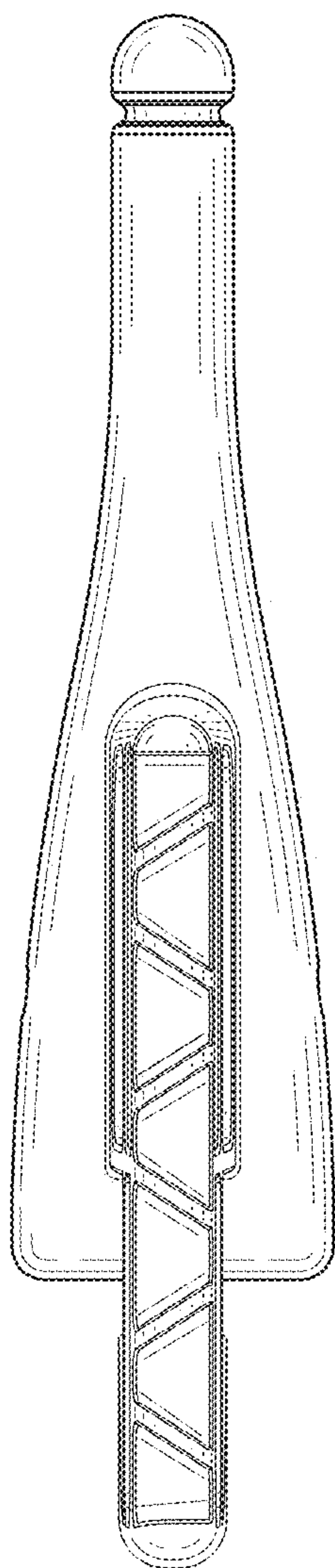


FIG. 4

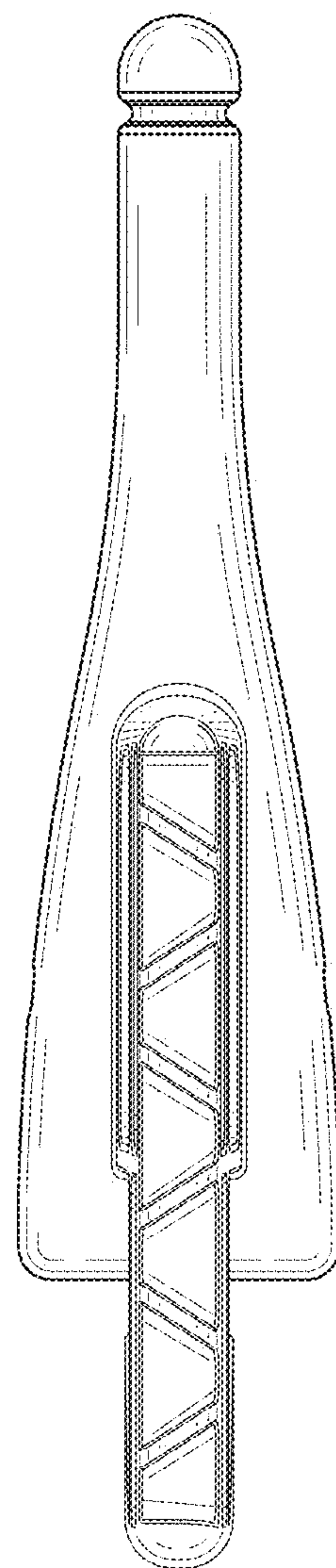


FIG. 5

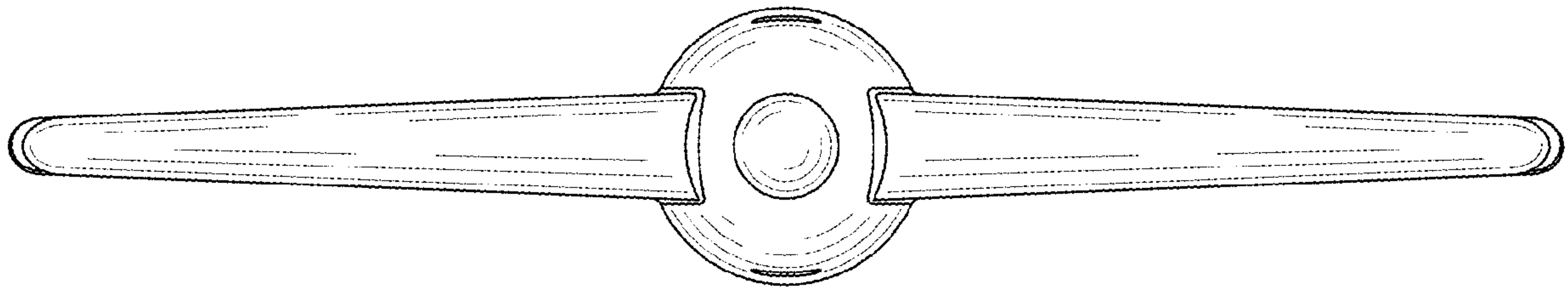


FIG. 6

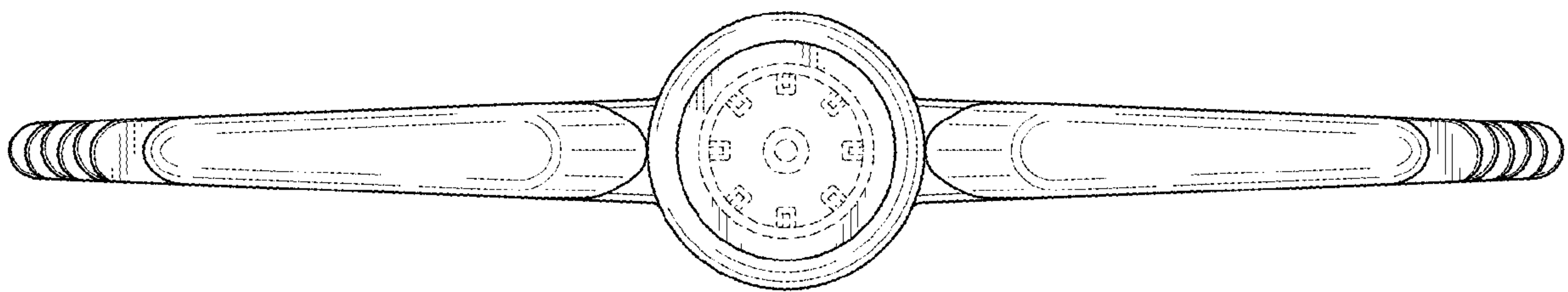


FIG. 7