



US00D973435S

(12) **United States Design Patent**  
**Guo**

(10) **Patent No.:** **US D973,435 S**

(45) **Date of Patent:** **\*\* Dec. 27, 2022**

(54) **SMOKER**

(71) Applicant: **Shenzhen Lanke Network Technology Co., Ltd.**, Guangdong (CN)

(72) Inventor: **Huini Guo**, Jiangxi (CN)

(\*\*) Term: **15 Years**

(21) Appl. No.: **29/837,751**

(22) Filed: **May 9, 2022**

(51) **LOC (13) Cl.** ..... **07-02**

(52) **U.S. Cl.**  
USPC ..... **D7/409**

(58) **Field of Classification Search**

USPC ..... D7/323, 328–334, 339–349, 350.1, 354,  
D7/360, 368, 390, 391, 402–406, 409,  
D7/540; D10/91

CPC ... A21B 2/00; A47J 37/00; A47J 37/06; A47J  
37/0611; A47J 37/0704; A47J 37/08;  
A47J 37/0807; A47J 37/0814; A47J  
37/0835; A47J 37/0842; A47J 37/085;  
A47J 37/0864; A47J 37/0878; A47J  
37/0885; A47J 37/0892; A47J 37/10;  
F24B 1/205; F24B 1/1808; F24B 5/087;  
F24C 7/00; F24C 7/002; F24C 7/046;  
F24C 7/067; F24C 15/02; F24C 15/04;  
F24C 15/10; F24C 15/102; F16B 37/043;  
E03C 1/20; E03F 5/0408

See application file for complete search history.

(56) **References Cited**

U.S. PATENT DOCUMENTS

D274,402 S \* 6/1984 Ziskind ..... D7/391  
5,511,466 A \* 4/1996 Dzibinski ..... A47J 37/10  
D7/354

D477,969 S \* 8/2003 Griffin ..... D7/354  
D486,408 S \* 2/2004 de Groote ..... D10/91  
D514,372 S \* 2/2006 Kaposi ..... D7/391  
D568,679 S \* 5/2008 Regnart ..... D7/391  
D708,893 S \* 7/2014 Henry ..... D7/354  
D761,055 S 7/2016 Marcorin  
D798,649 S \* 10/2017 Keating ..... D7/354  
10,190,305 B2 \* 1/2019 Howson ..... E03F 5/0408  
D944,594 S \* 3/2022 Sumner ..... D7/409  
D945,815 S \* 3/2022 Oliver ..... D7/368

\* cited by examiner

*Primary Examiner* — Ricky Pham

(74) *Attorney, Agent, or Firm* — Che-Yang Chen; Law  
Office of Michael Chen

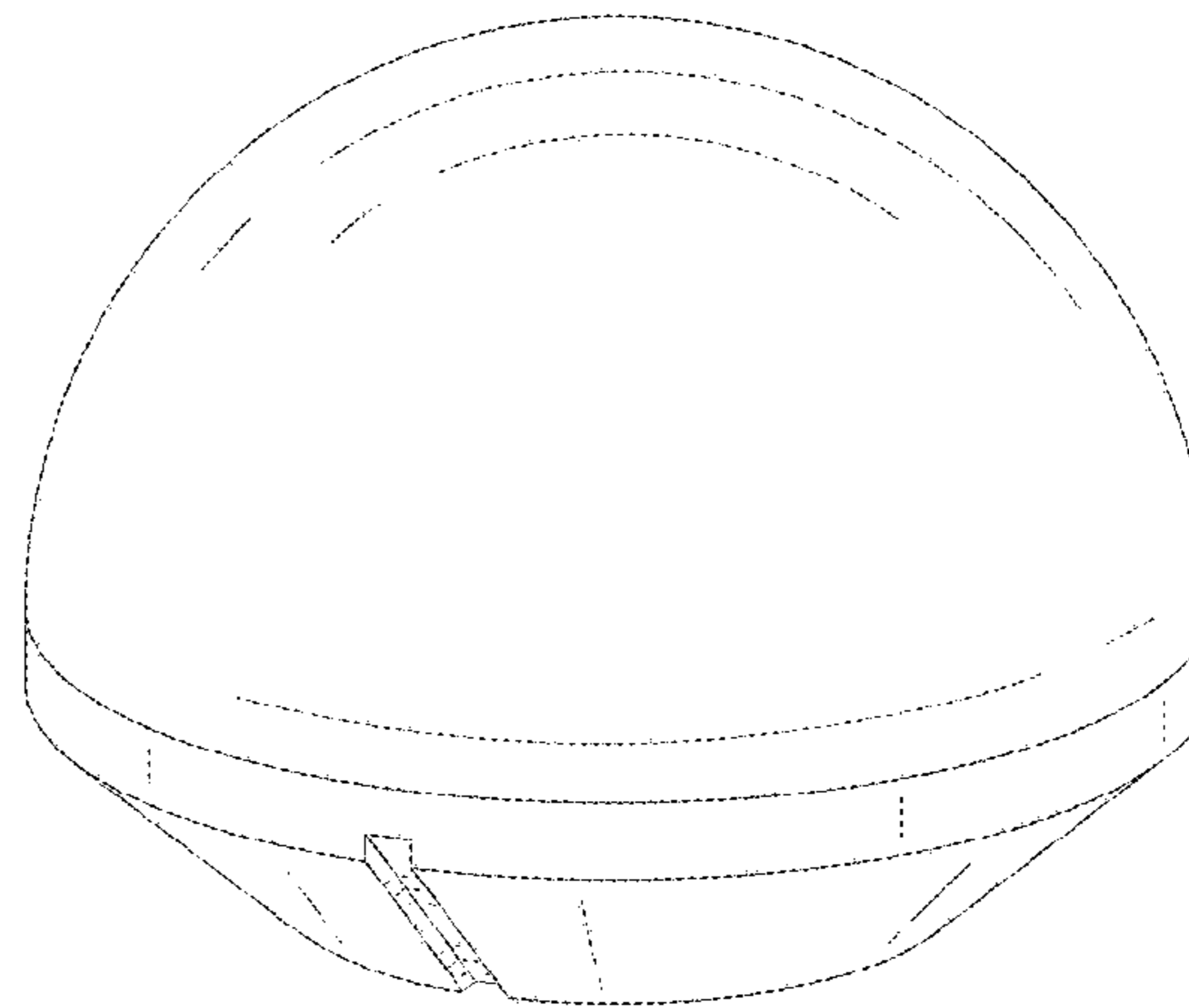
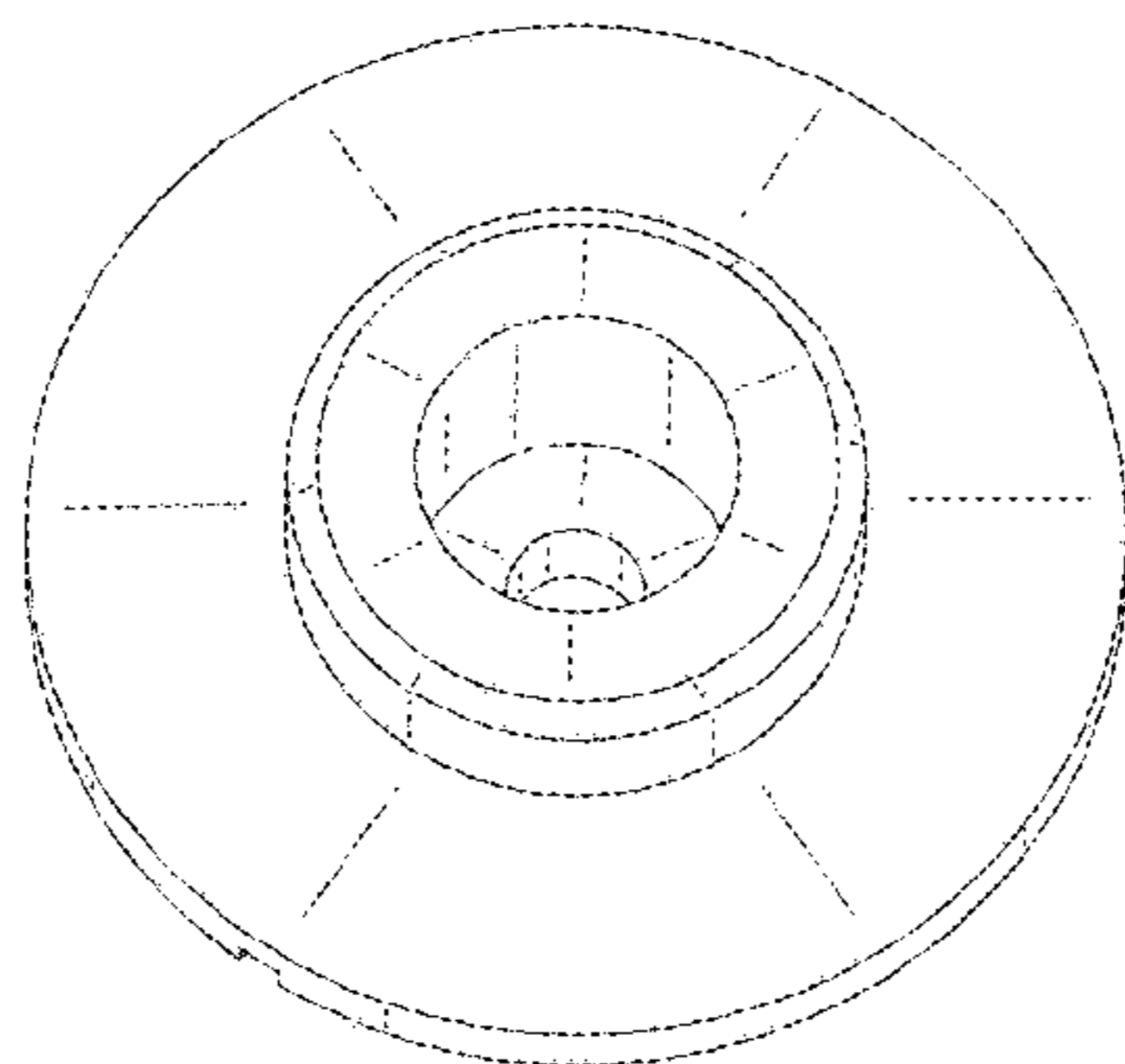
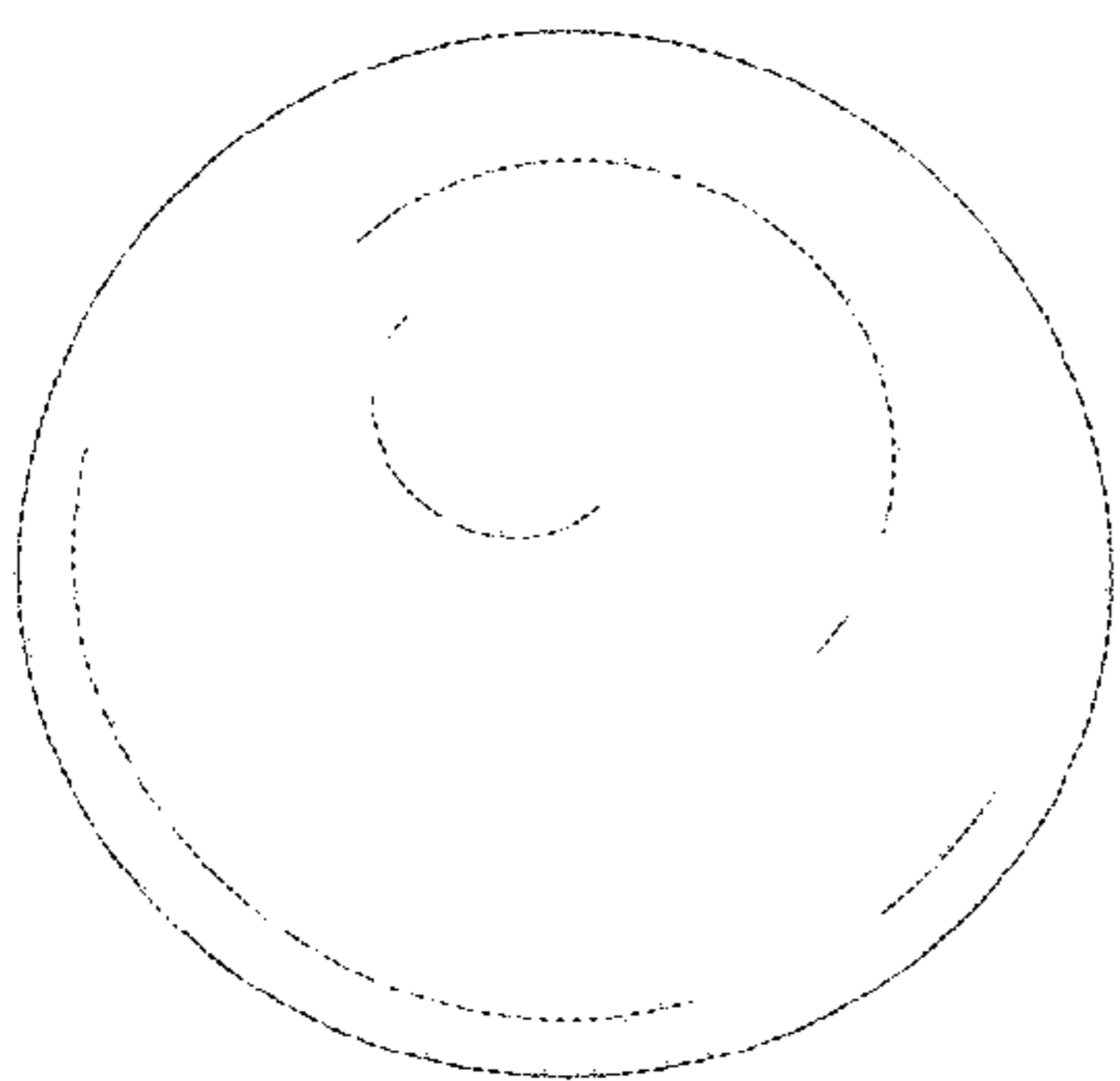
(57) **CLAIM**

The ornamental design for a smoker, as shown and  
described.

**DESCRIPTION**

FIG. 1 is a perspective view of the smoker showing my new  
design;  
FIG. 2 is a perspective view thereof from another angle;  
FIG. 3 is a front elevational view thereof;  
FIG. 4 is a rear elevational view thereof;  
FIG. 5 is a left side elevational view thereof;  
FIG. 6 is a right side elevational view thereof;  
FIG. 7 is a top plan view thereof;  
FIG. 8 is a bottom plan view thereof; and,  
FIG. 9 is an assembled perspective view thereof.

**1 Claim, 9 Drawing Sheets**



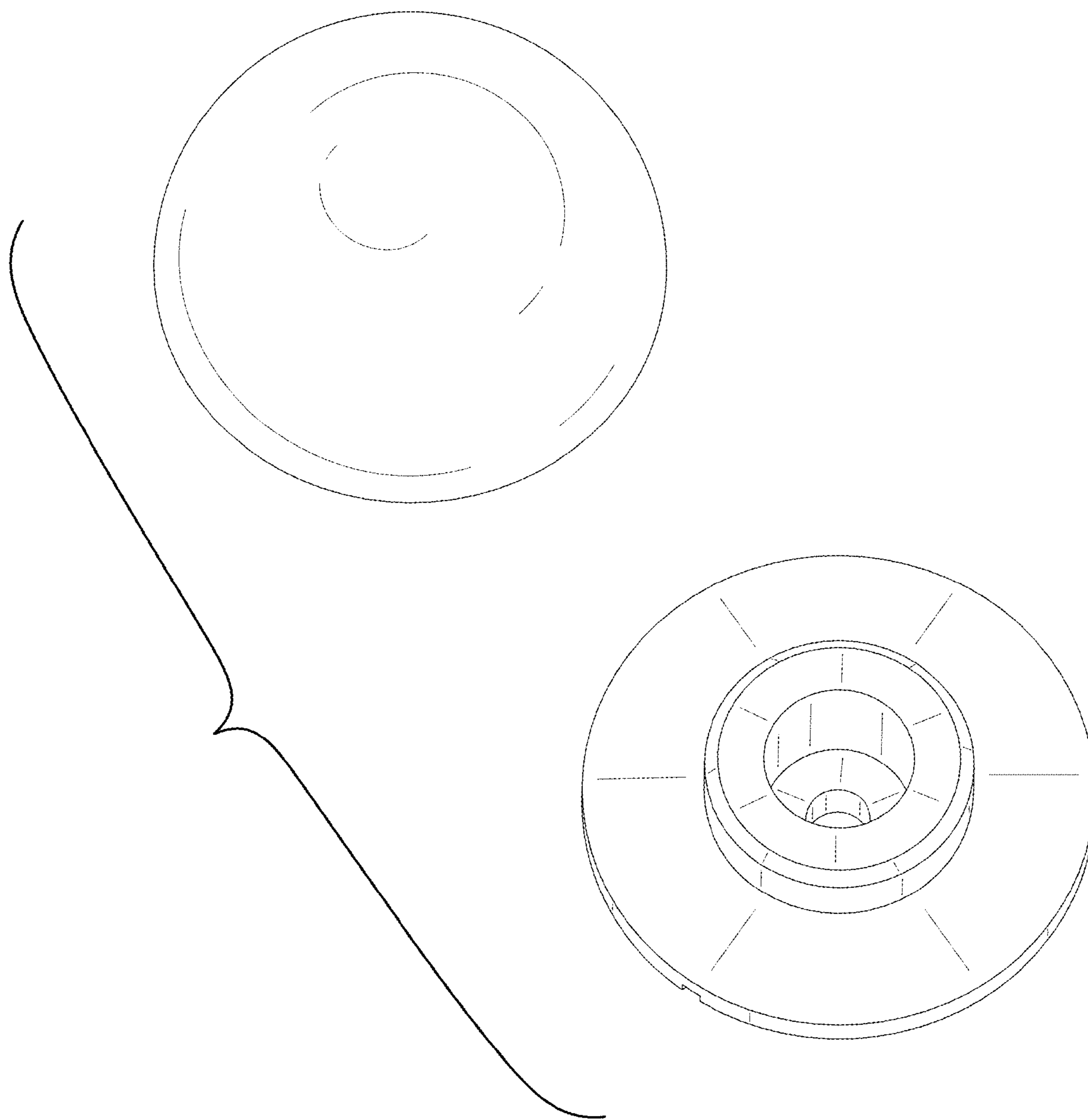


FIG. 1

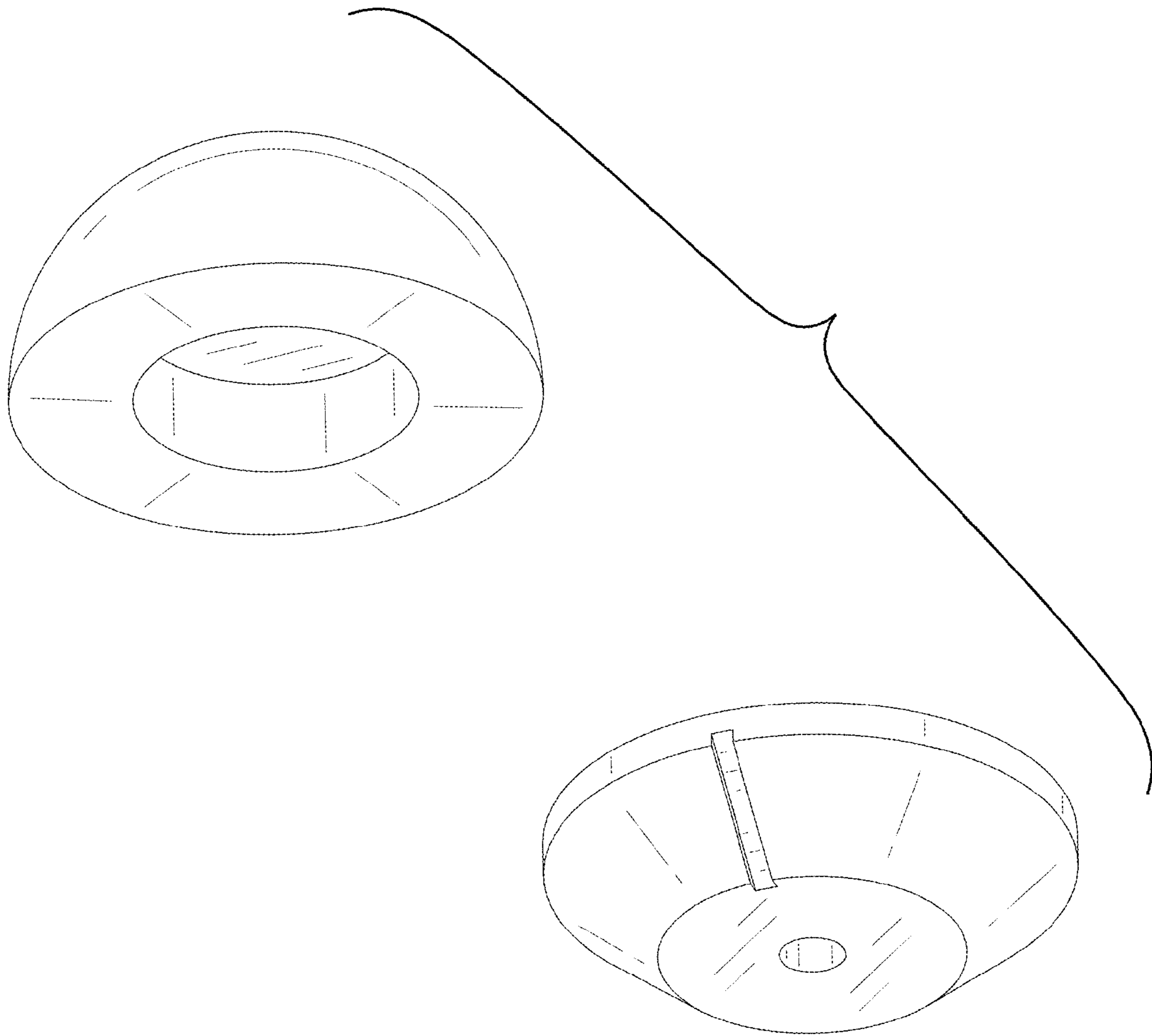


FIG. 2

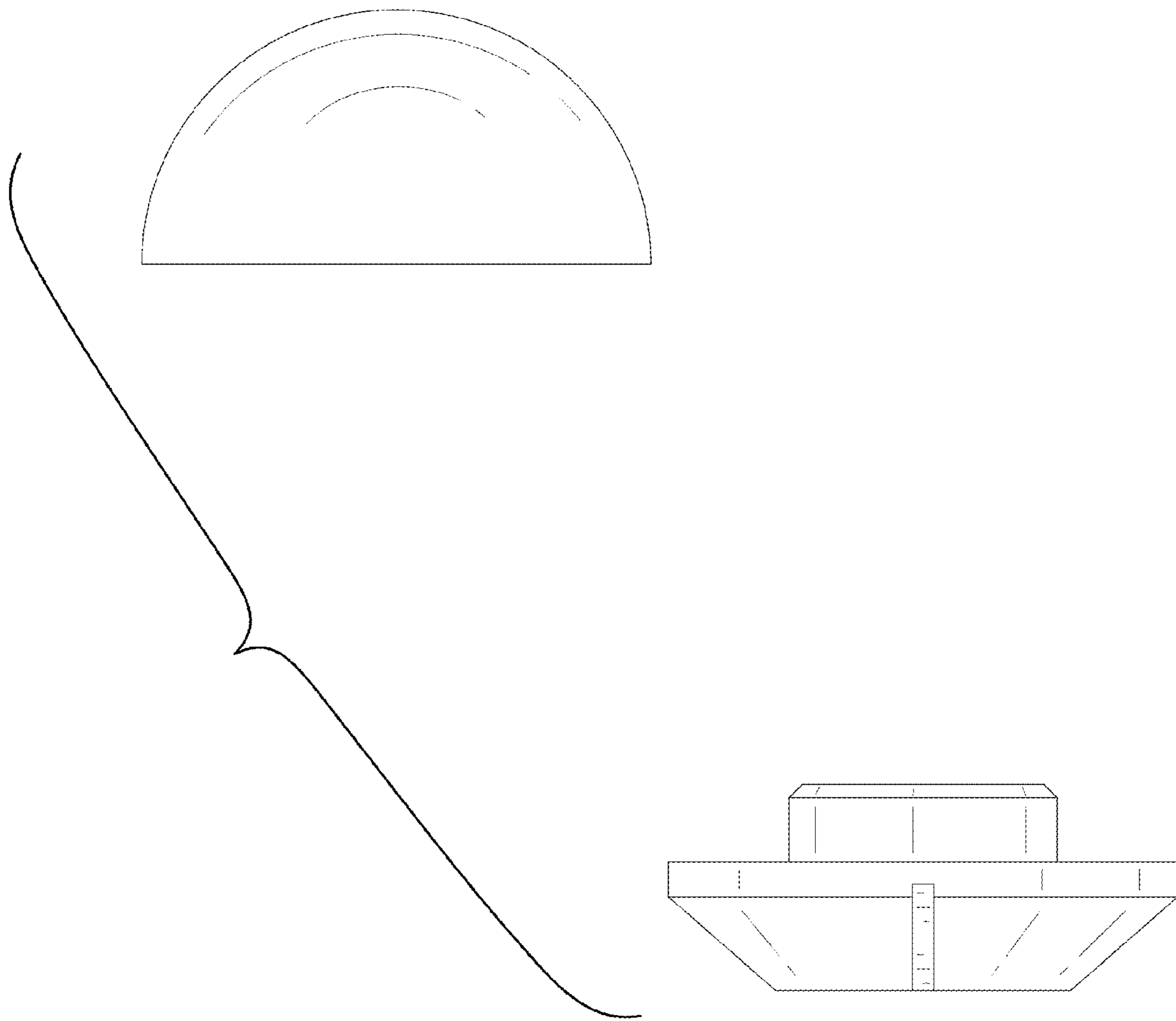


FIG. 3

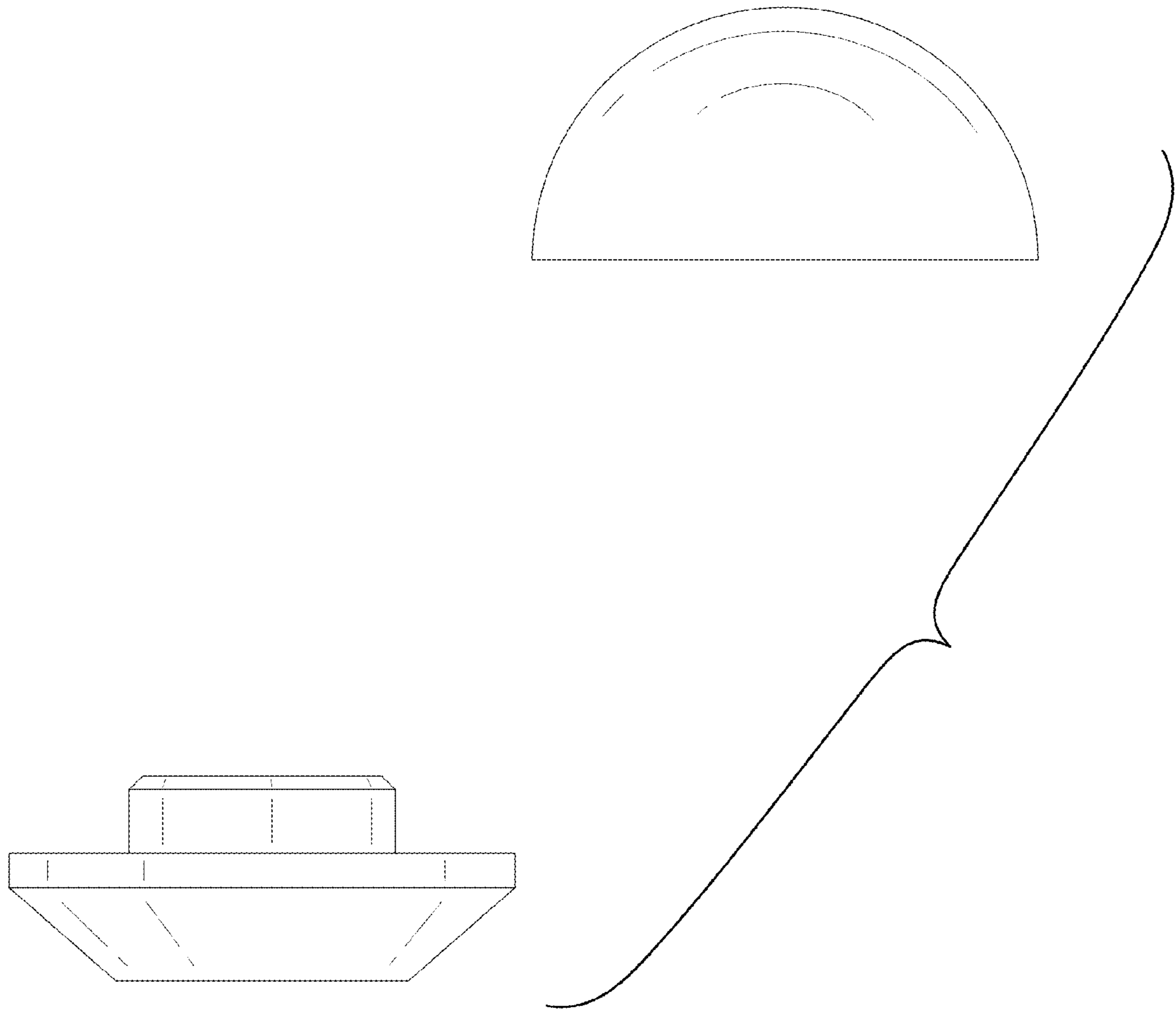


FIG. 4

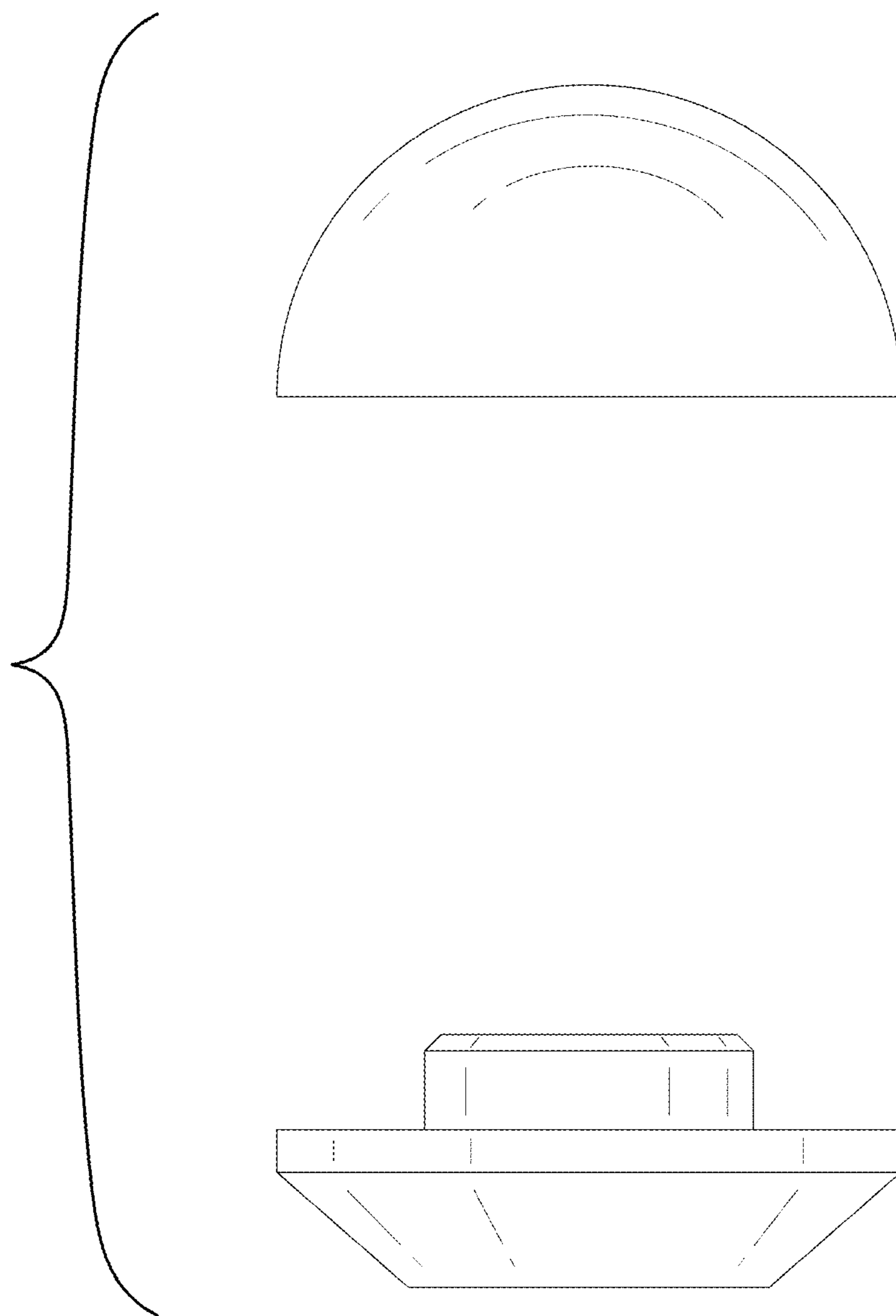


FIG. 5

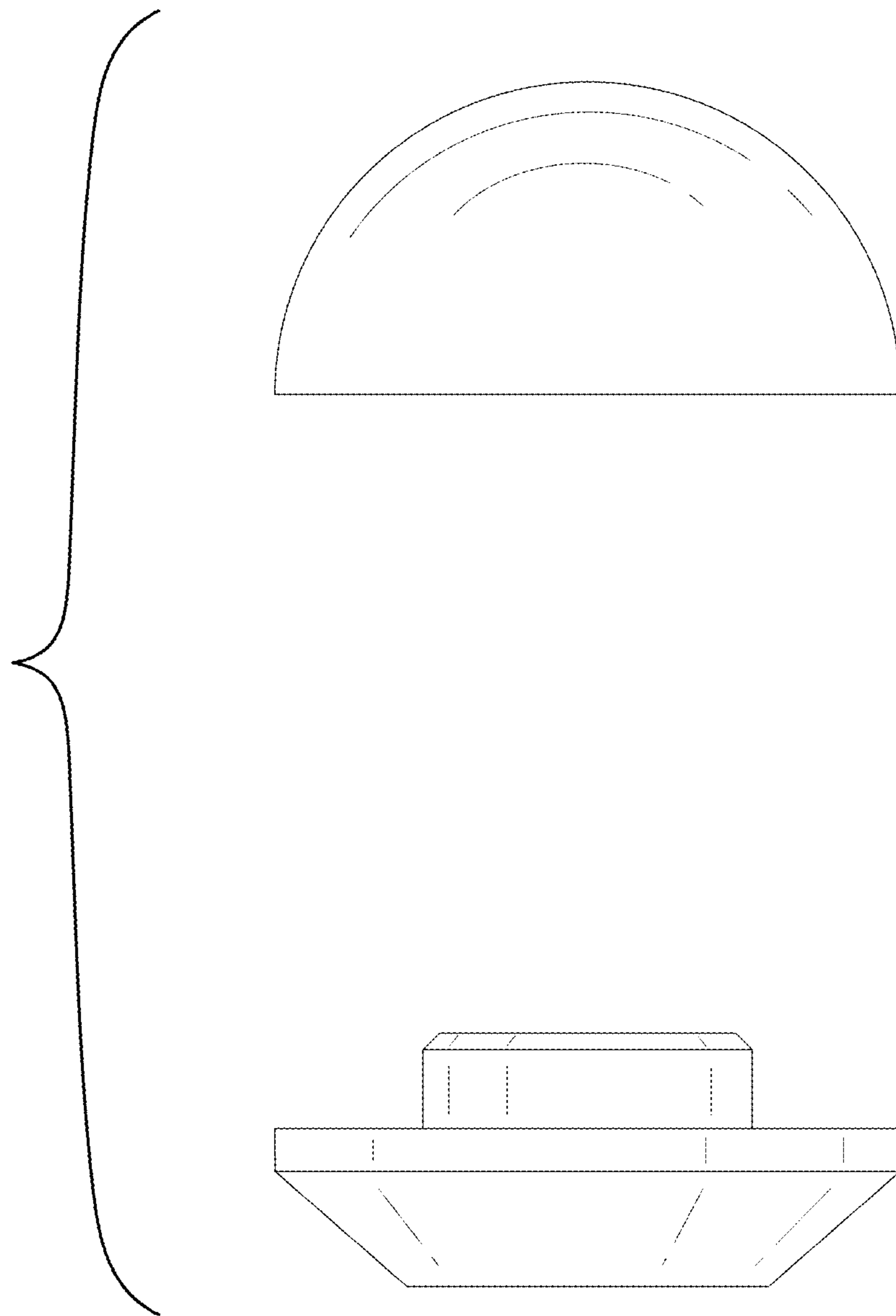


FIG. 6

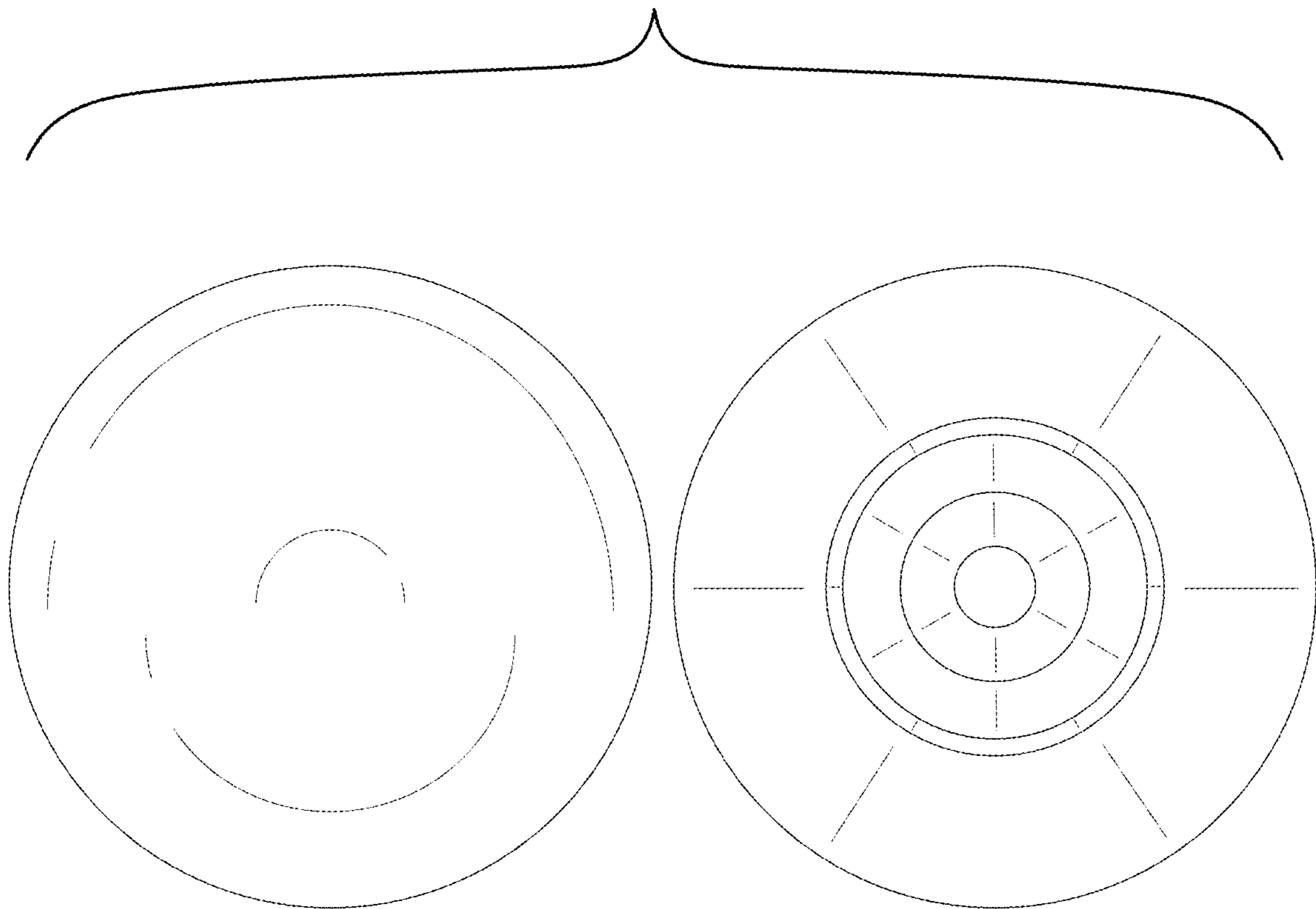


FIG. 7



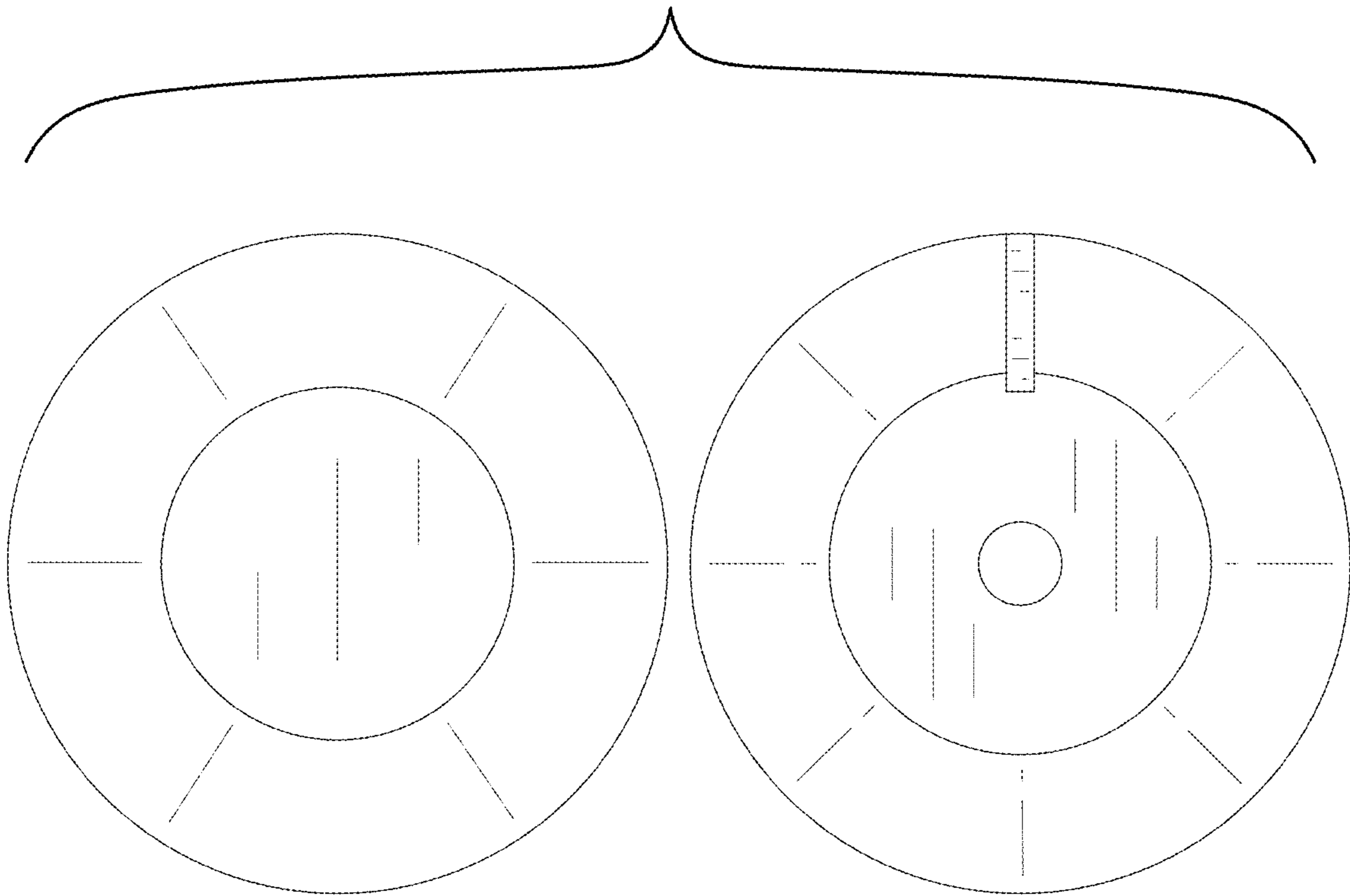


FIG. 8

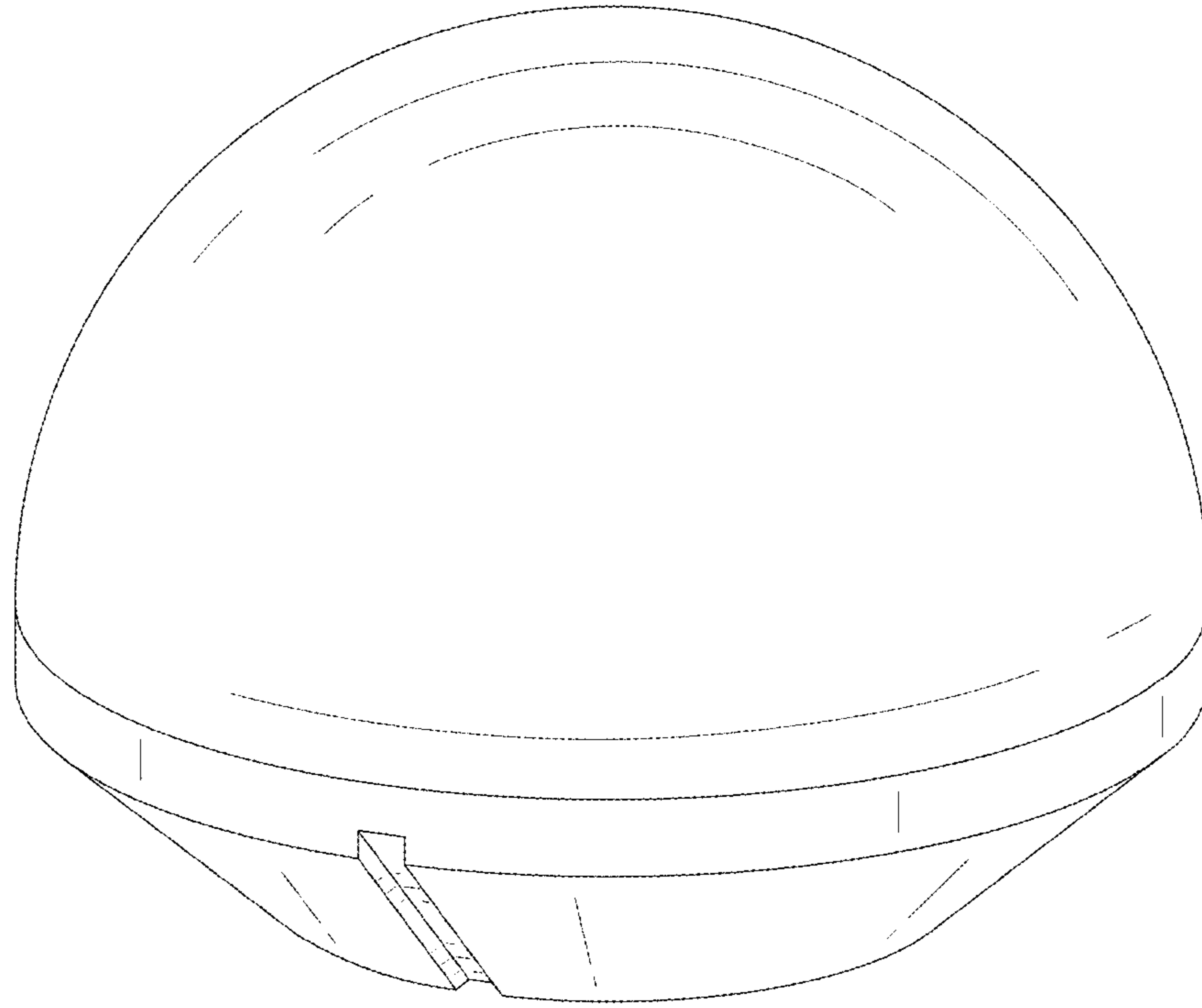


FIG. 9