

US00D973434S

(12) **United States Design Patent**
Guo

(10) **Patent No.:** **US D973,434 S**

(45) **Date of Patent:** **** Dec. 27, 2022**

(54) **SMOKER**

(71) Applicant: **Shenzhen Lanke Network Technology Co., Ltd.**, Guangdong (CN)

(72) Inventor: **Huini Guo**, Jiangxi (CN)

(**) Term: **15 Years**

(21) Appl. No.: **29/837,710**

(22) Filed: **May 8, 2022**

(51) **LOC (13) Cl.** **07-02**

(52) **U.S. Cl.**
USPC **D7/409**

(58) **Field of Classification Search**

USPC D7/323, 328–334, 339–349, 350.1, 354,
D7/360, 361, 368, 390, 391, 392.1,
D7/402–406, 409, 540, 542
CPC ... A21B 2/00; A47J 37/00; A47J 37/06; A47J
37/0611; A47J 37/0704; A47J 37/08;
A47J 37/0807; A47J 37/0814; A47J
37/0835; A47J 37/0842; A47J 37/085;
A47J 37/0864; A47J 37/0878; A47J
37/0885; A47J 37/0892; A47J 37/10;
A47J 36/38; F24B 1/205; F24B 1/1808;
F24B 5/087; F24C 7/00; F24C 7/002;
F24C 7/046; F24C 7/067; F24C 15/02;
F24C 15/04; F24C 15/10; F24C 15/102;
F16B 37/043; E03C 1/20; E03F 5/0408

See application file for complete search history.

(56) **References Cited**

U.S. PATENT DOCUMENTS

1,627,099 A * 5/1927 Landgren A47J 36/38
126/385.1
D105,356 S * 7/1937 Kupper D7/542
D110,678 S * 7/1938 Smith D7/542
D174,504 S * 4/1955 Krause D7/361
D332,721 S * 1/1993 Jauhal D9/503

D445,647 S * 7/2001 Ciesko D7/542
D477,969 S * 8/2003 Griffin D7/354
D659,463 S * 5/2012 Henry D7/354
D708,474 S * 7/2014 Liebowitz D7/392.1
D761,055 S 7/2016 Marcorin
D944,594 S * 3/2022 Sumner D7/409
D945,815 S * 3/2022 Oliver D7/368
2008/0022455 A1 * 1/2008 McAlpine E03C 1/20
4/679

OTHER PUBLICATIONS

SITOO Cocktail Smoker Kit. Date First Available on Amazon.com
Nov. 4, 2021. <https://www.amazon.com/dp/B09KZX34TZ/ref> (Year:
2021).*

* cited by examiner

Primary Examiner — Ricky Pham

(74) *Attorney, Agent, or Firm* — Che-Yang Chen; Law
Office of Michael Chen

(57) **CLAIM**

The ornamental design for a smoker, as shown and
described.

DESCRIPTION

FIG. 1 is a perspective view of the smoker showing my new
design;

FIG. 2 is a perspective view thereof from another angle;

FIG. 3 is a front elevational view thereof;

FIG. 4 is a rear elevational view thereof;

FIG. 5 is a left side elevational view thereof;

FIG. 6 is a right side elevational view thereof;

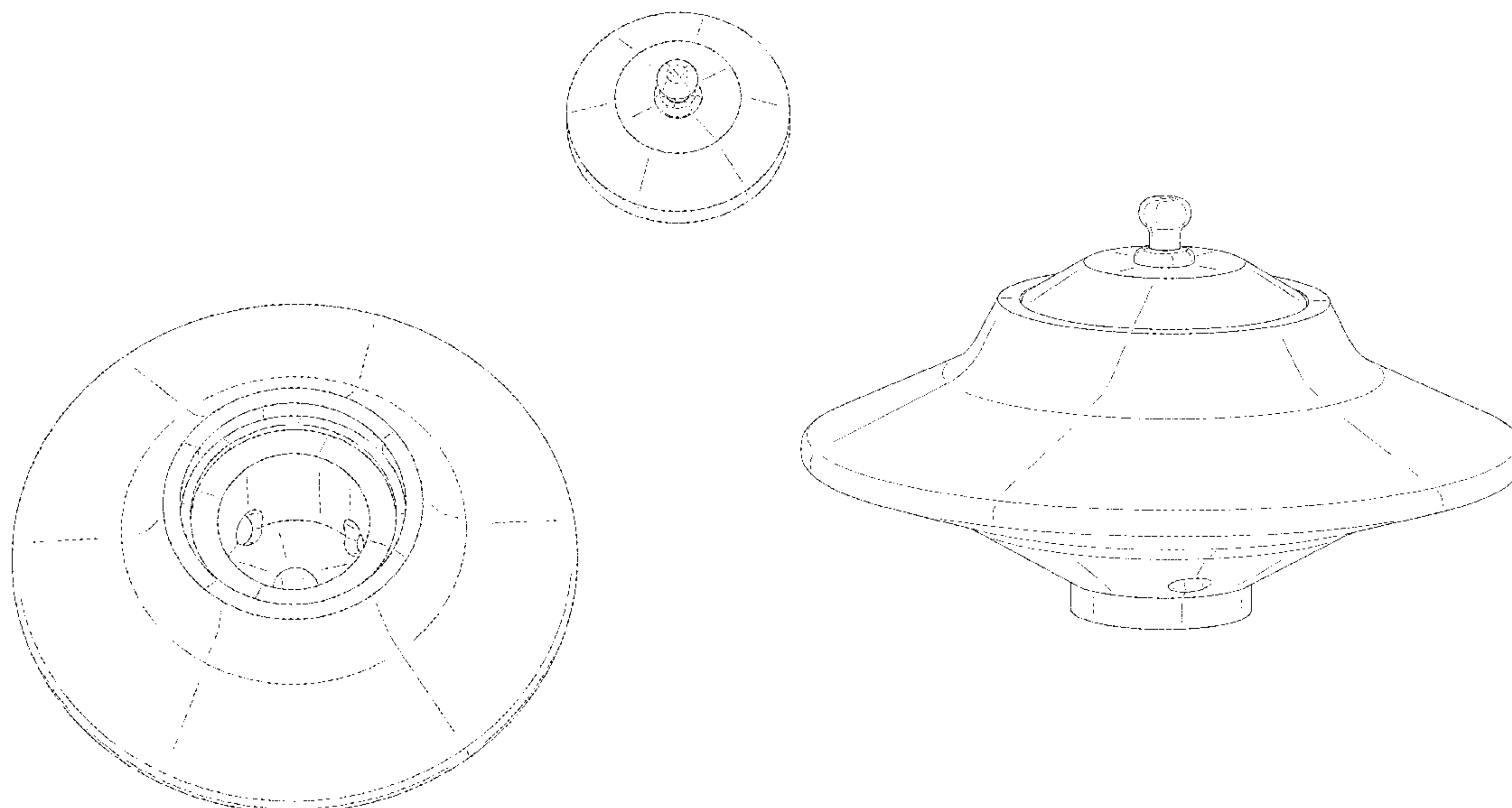
FIG. 7 is a top plan view thereof;

FIG. 8 is a bottom plan view thereof; and,

FIG. 9 is an assembled perspective view thereof.

The broken lines shown in the drawings represent portions
of the smoker that form no part of the claimed design.

1 Claim, 9 Drawing Sheets



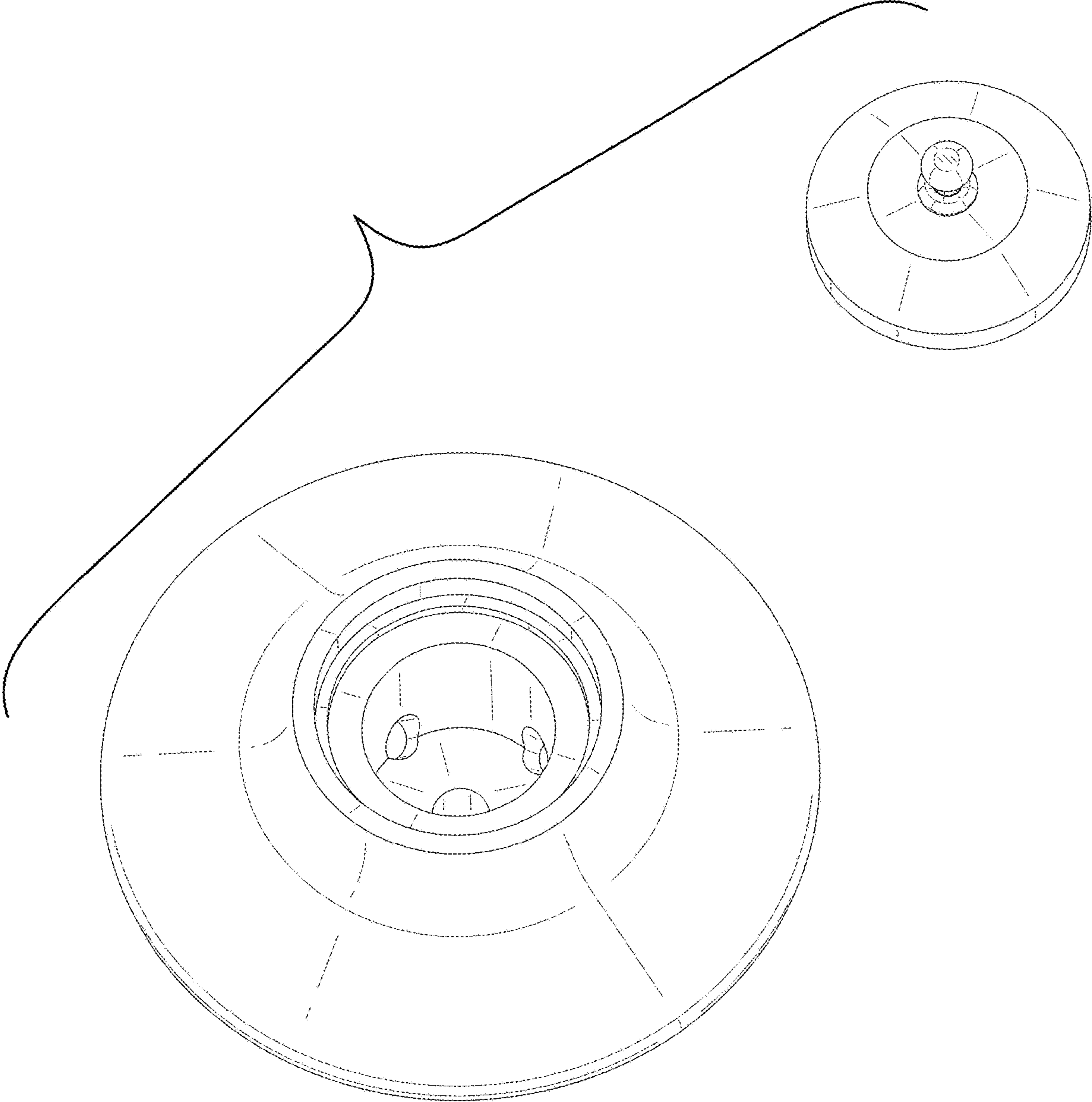


FIG. 1

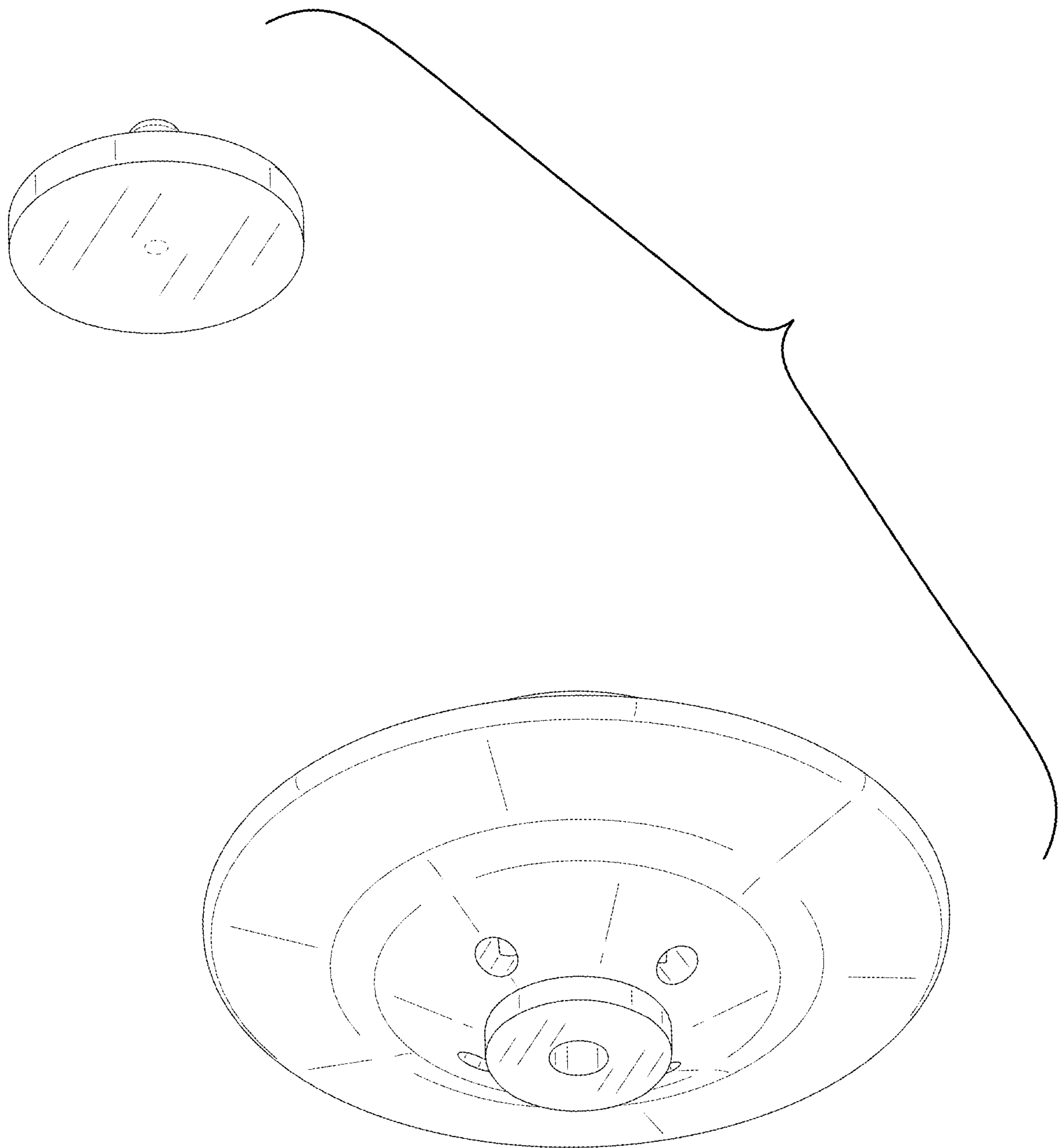


FIG. 2

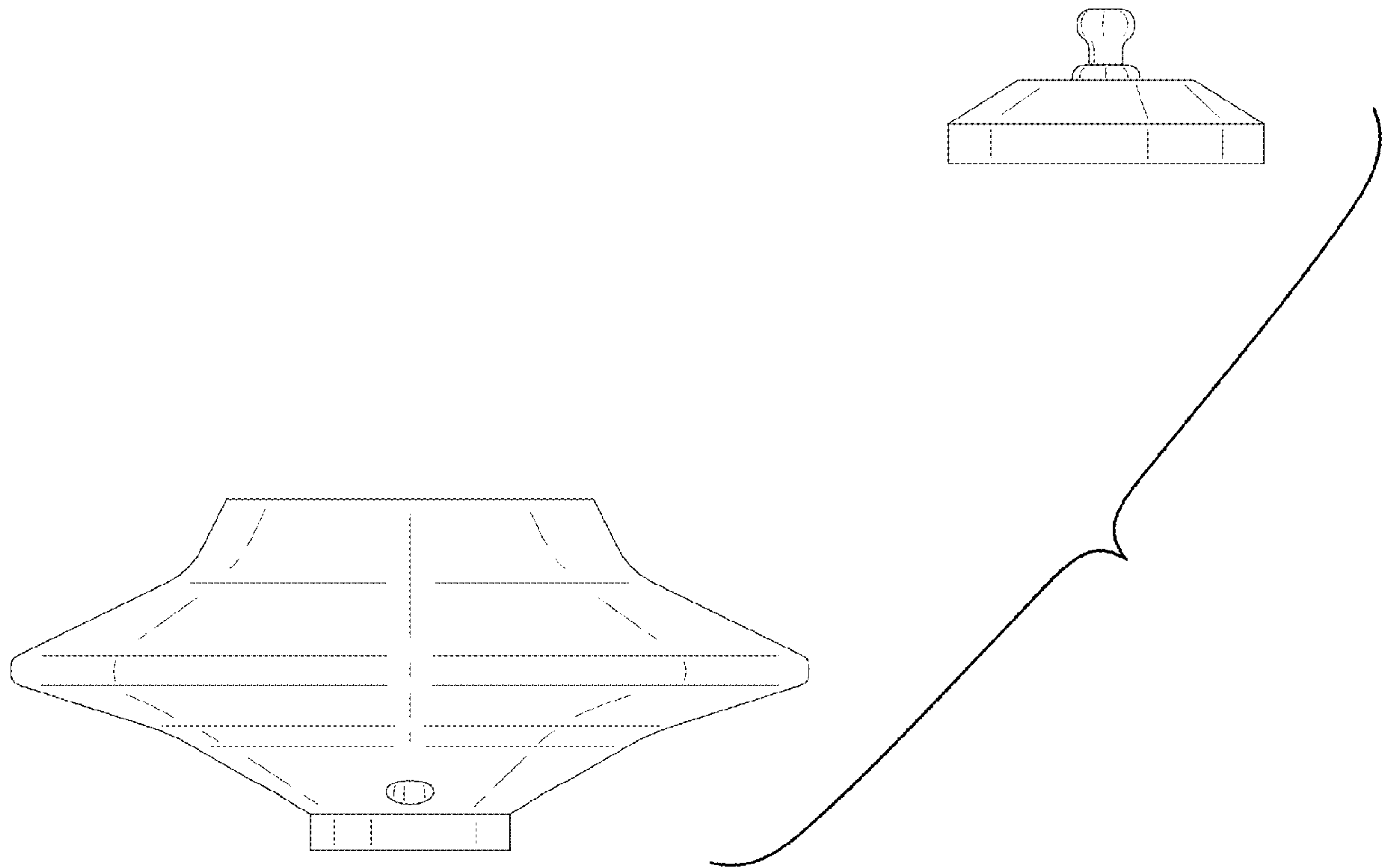


FIG. 3

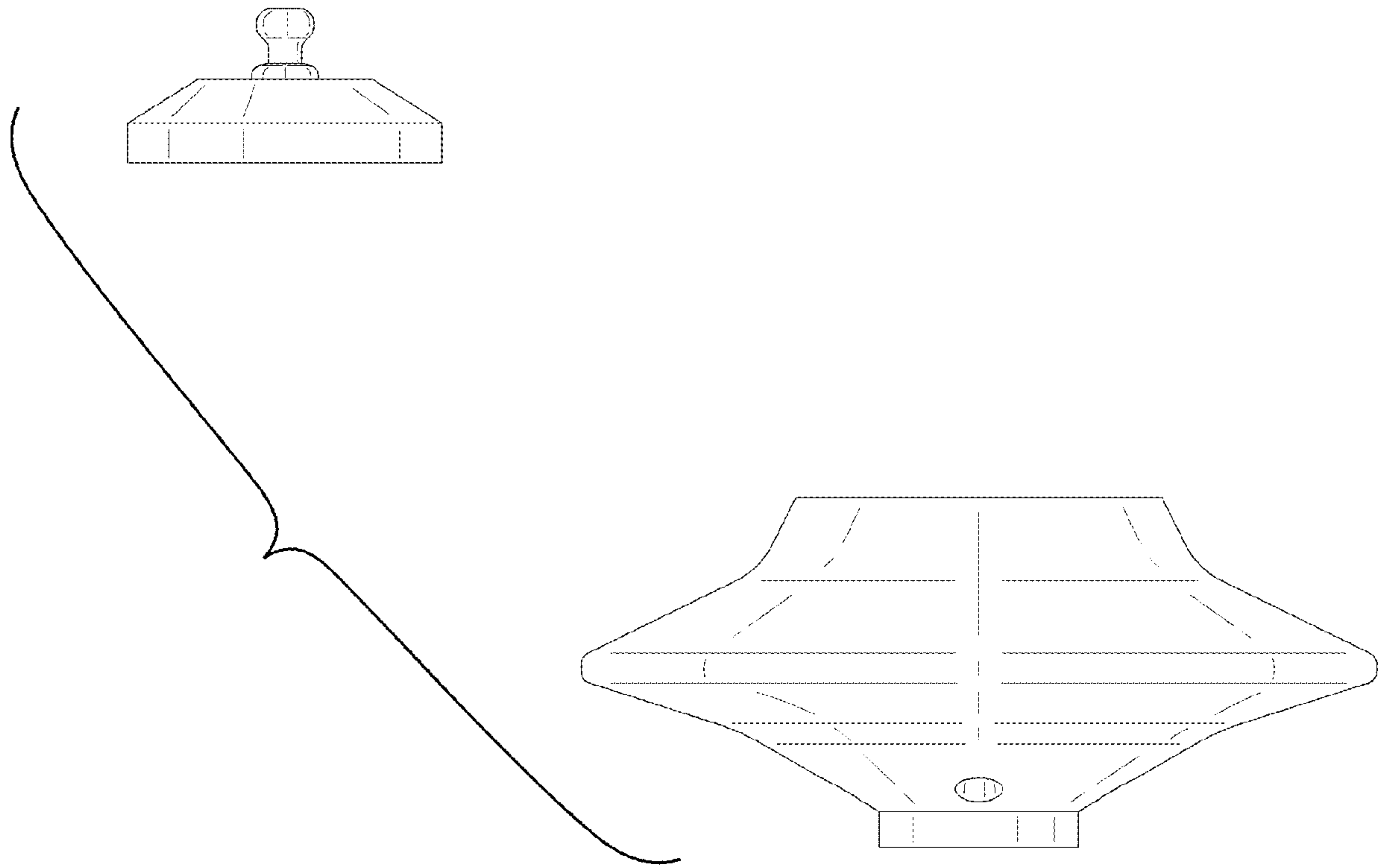


FIG. 4

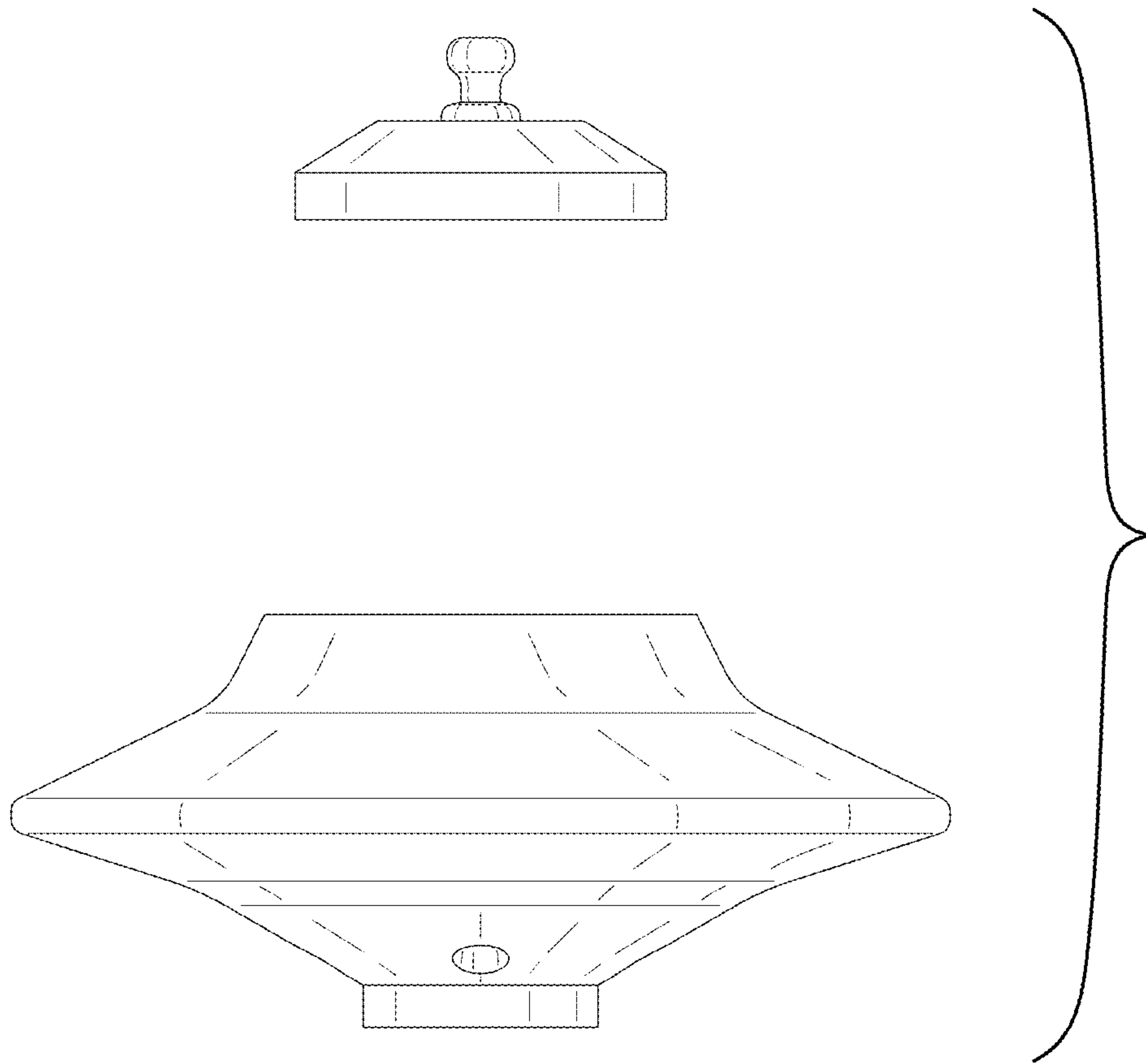


FIG. 5

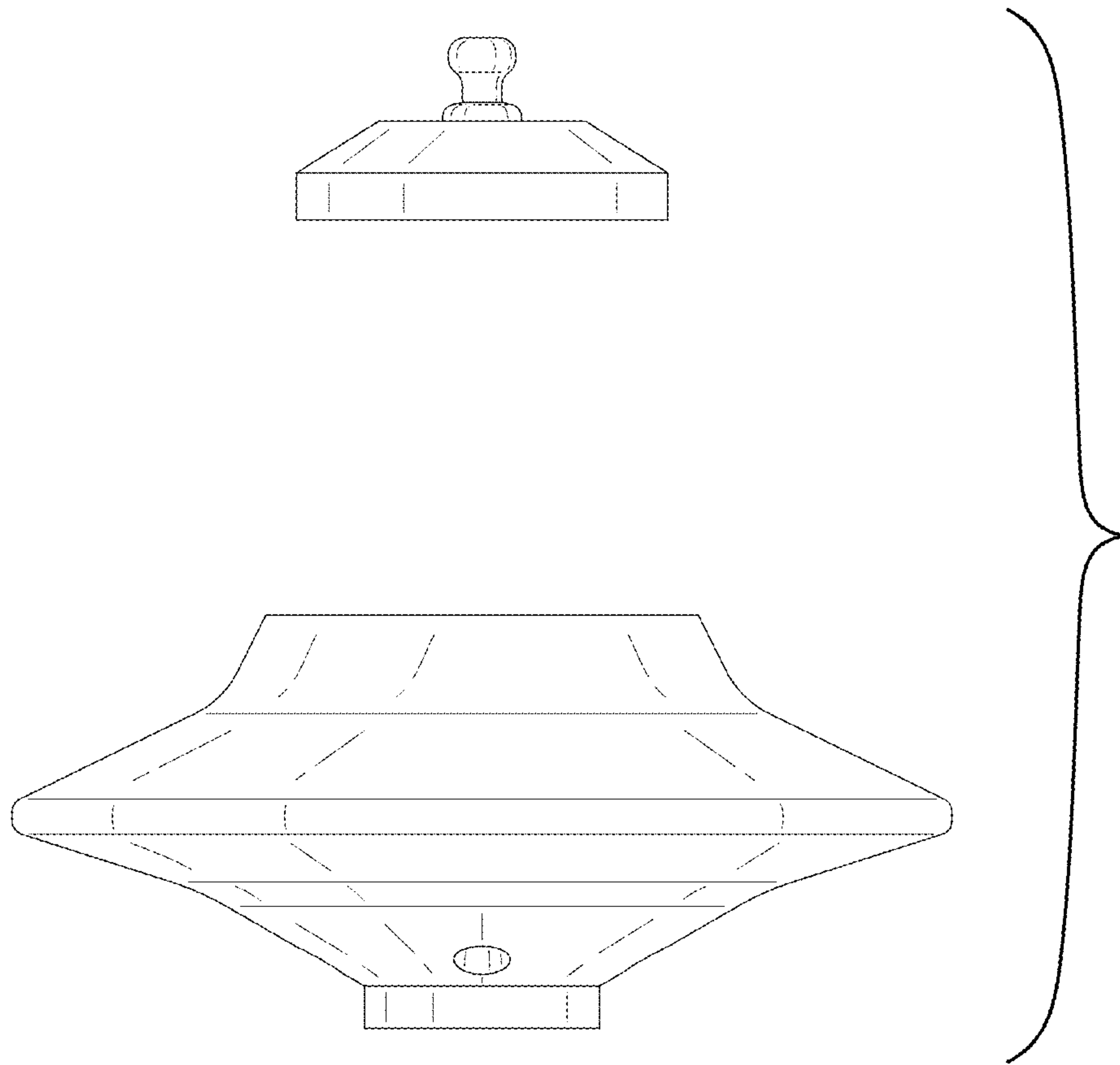


FIG. 6

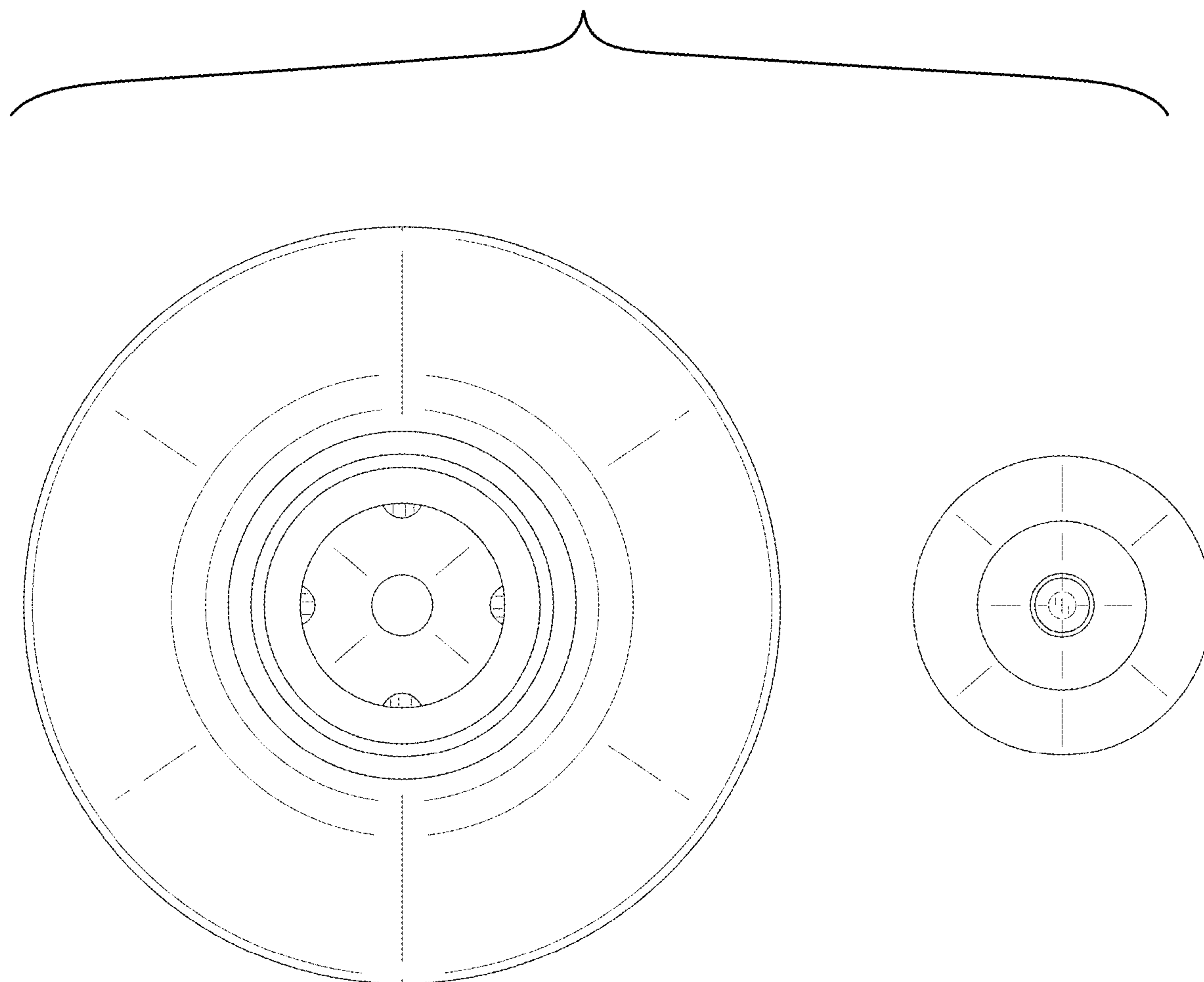


FIG. 7

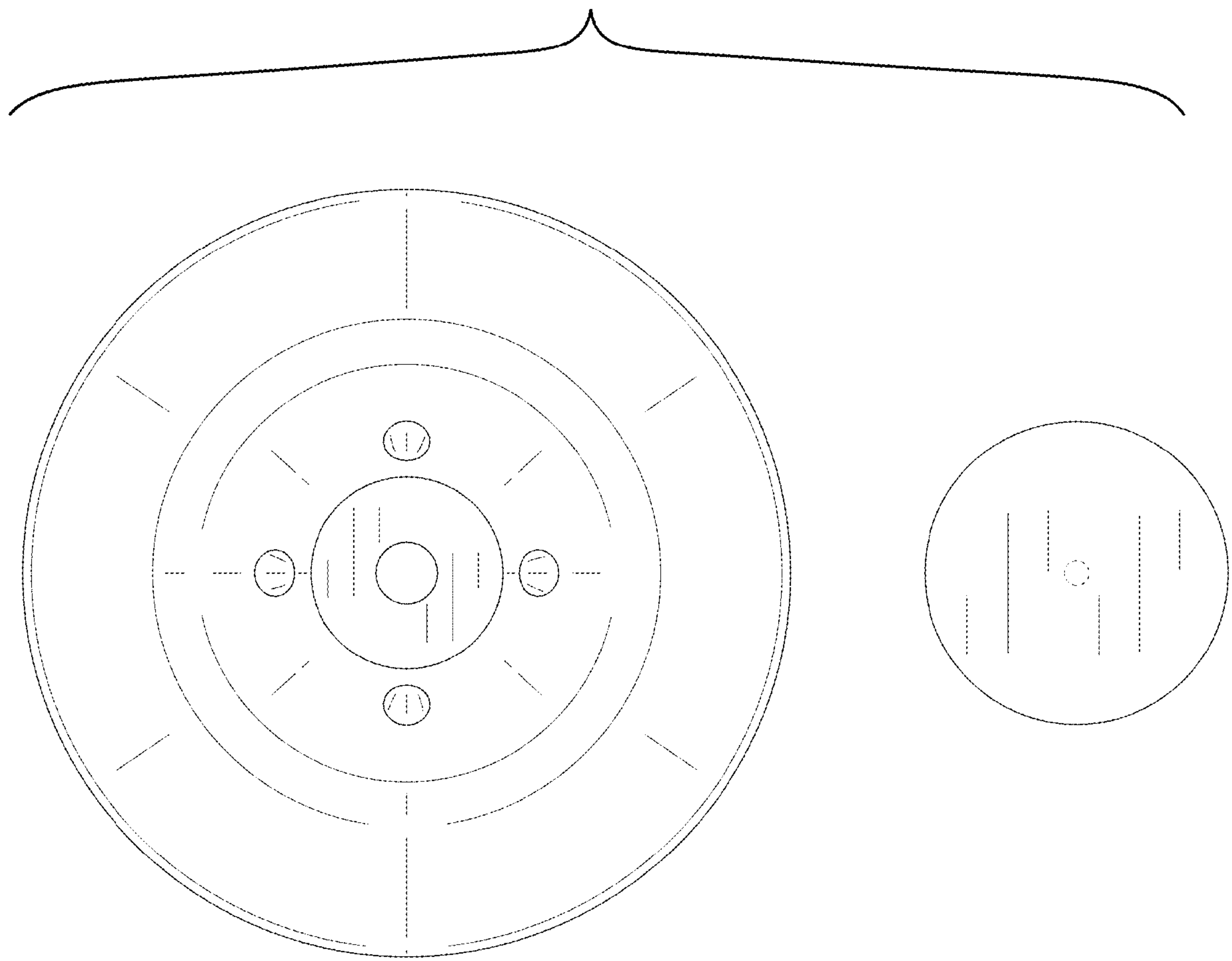


FIG. 8

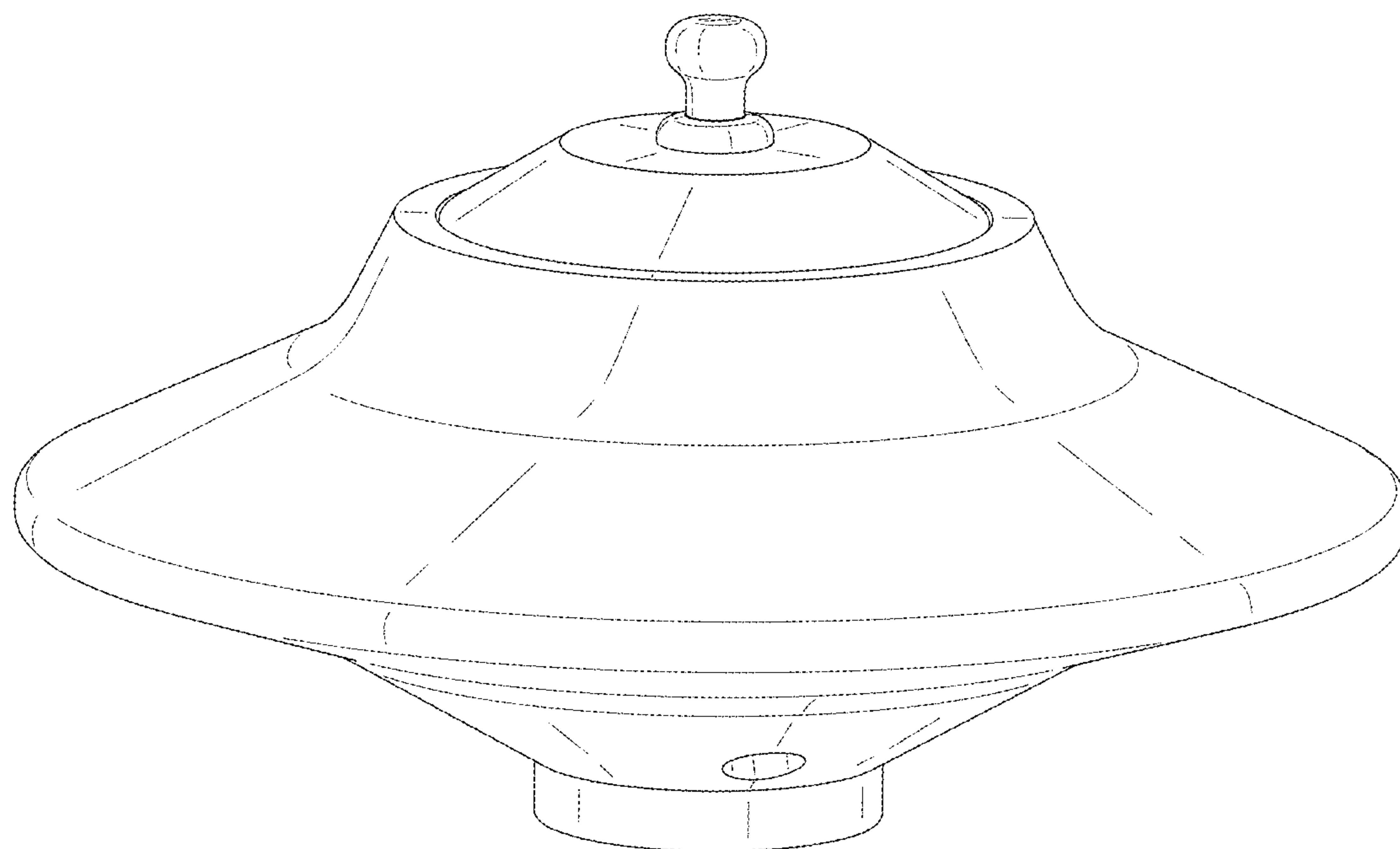


FIG. 9