



US00D973433S

(12) **United States Design Patent** (10) **Patent No.:** **US D973,433 S**
Veatch, III et al. (45) **Date of Patent:** **** Dec. 27, 2022**

(54) **PORTABLE GRILL CAMBERED GRATE**

(71) Applicant: **Nomad Grills, LLC**, Dallas, TX (US)

(72) Inventors: **John Joseph Veatch, III**, Dallas, TX (US); **Cameron Mills Leggett**, Dallas, TX (US)

(73) Assignee: **NOMAD GRILLS, LLC**, Dallas, TX (US)

(**) Term: **15 Years**

(21) Appl. No.: **29/790,697**

(22) Filed: **Dec. 9, 2021**

Related U.S. Application Data

(63) Continuation of application No. 17/301,633, filed on Apr. 9, 2021, and a continuation of application No. (Continued)

(51) **LOC (13) Cl.** **07-02**

(52) **U.S. Cl.**
USPC **D7/409**; D7/408

(58) **Field of Classification Search**
USPC D7/323, 327, 332, 334-337, 338, 339, D7/347-348, 350.1, 350.2, 367, 402-409; D23/342, 343, 348-350
(Continued)

(56) **References Cited**

U.S. PATENT DOCUMENTS

D151,344 S * 10/1948 Hathaway D7/332
D193,589 S 9/1962 Friday
(Continued)

FOREIGN PATENT DOCUMENTS

KR 20060130992 A 12/2006
KR 20100098772 A 9/2010

OTHER PUBLICATIONS

<https://auraoutdoorproducts.com/products/cast-iron-grill-grate-for-22-inch-weber-kettle-22?variant=39904928591#shopify-product-reviews>Aura Outdoor Products, Cast Iron Grill Grate for 22 Inch Weber Kettle, Jun. 24, 2017, (Year: 2017).*

(Continued)

Primary Examiner — Brett Miller

(74) *Attorney, Agent, or Firm* — Craige Thompson; Thompson Patent Law; Timothy D. Snowden

(57) **CLAIM**

The ornamental design for a portable grill cambered grate, as shown and described.

DESCRIPTION

FIG. 1 is an orthographic projection view of a portable grill cambered grate showing the new design in the context of an illustrative use-case scenario;

FIG. 2 is an exploded orthographic projection view of the portable grill cambered grate of FIG. 1 in the illustrative use-case scenario;

FIG. 3 is a top plan view of the portable grill cambered grate of FIG. 1;

FIG. 4 is a bottom plan view of the portable grill cambered grate of FIG. 1;

FIG. 5 is a front elevation view of the portable grill cambered grate of FIG. 1;

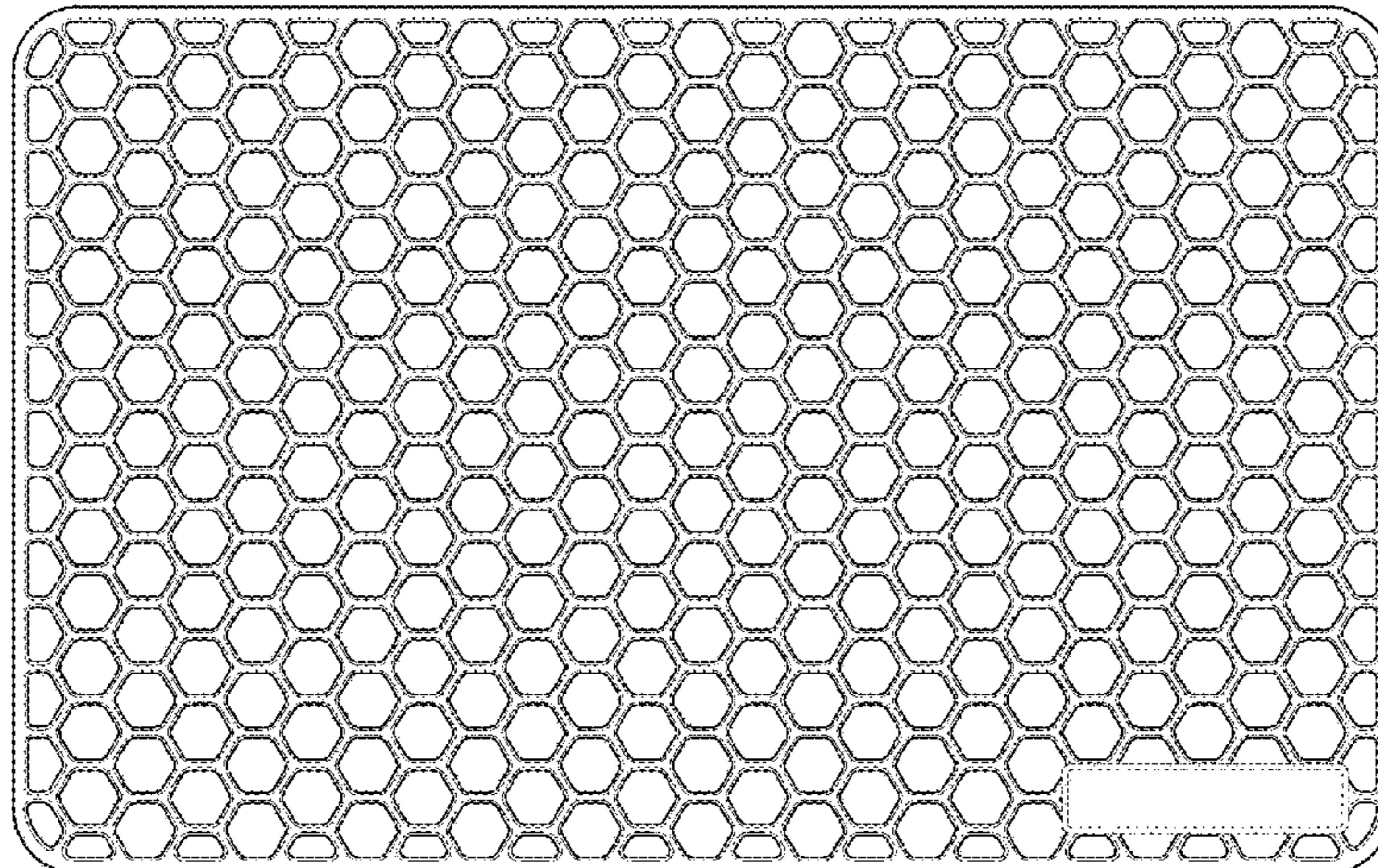
FIG. 6 is a rear elevation view of the portable grill cambered grate of FIG. 1;

FIG. 7 is a left elevation view of the portable grill cambered grate of FIG. 1; and,

FIG. 8 is a right elevation view of the portable grill cambered grate of FIG. 1.

The claimed ornamental design is shown embodied on an assembly that may be used, for example, as a cooking grill which may, for example, be portable. In an illustrative example, the portable grill cambered grate may operate to support food during cooking, such as on the top and/or

(Continued)



bottom. The broken lines shown in the drawings illustrate unclaimed portions of the claimed design and form no part of the claimed design.

1 Claim, 5 Drawing Sheets

Related U.S. Application Data

29/769,358, filed on Feb. 4, 2021, now Pat. No. Des. 939,882, which is a continuation of application No. 29/711,390, filed on Oct. 30, 2019, now Pat. No. Des. 915,122, which is a continuation of application No. 16/265,639, filed on Feb. 1, 2019, now Pat. No. 11,000,155, said application No. 17/301,633 is a continuation of application No. 16/265,639, filed on Feb. 1, 2019, now Pat. No. 11,000,155.

(58) **Field of Classification Search**

CPC A47J 37/0623; A47J 37/0664; A47J 37/0658; A47J 37/0786; A47J 37/0694
See application file for complete search history.

(56) **References Cited**

U.S. PATENT DOCUMENTS

3,478,194	A	11/1969	Lescure	
D227,850	S	7/1973	Benson	
D245,220	S	8/1977	Chan	
D251,893	S	5/1979	Chan	
4,392,477	A	7/1983	Milligan	
D323,599	S *	2/1992	Griffard	D7/408
D326,792	S	6/1992	Rodgers et al.	
D327,185	S *	6/1992	Ryaa	D7/332
D353,488	S	12/1994	Lin	
D358,204	S	5/1995	Ferrier	
D369,939	S *	5/1996	Gibbs	D7/335
D412,808	S	8/1999	Hinton et al.	
D439,407	S	3/2001	Parker	
D453,624	S	2/2002	Itzkovitch	
D461,051	S	8/2002	Cheng	
D461,360	S	8/2002	Bossler	
D469,298	S	1/2003	Hinton et al.	
6,644,298	B2	11/2003	Hermansen et al.	
D498,114	S	11/2004	Zhang	
D549,036	S	8/2007	Chung	
D576,444	S	9/2008	Chung	
D577,534	S	9/2008	Chung	
7,438,071	B2	10/2008	Johnson et al.	
D610,862	S	3/2010	Chung	

D613,059	S	4/2010	Horiyama et al.	
D619,808	S	7/2010	Huang	
7,802,565	B2	9/2010	Bruno	
D637,446	S *	5/2011	McMillian	D7/332
D677,109	S	3/2013	Chung	
8,671,831	B2 *	3/2014	Yates	A47J 36/20 D7/409
D749,905	S *	2/2016	Fenlong	D7/409
D771,994	S	11/2016	Zemel et al.	
D773,817	S	12/2016	Hower	
D784,064	S	4/2017	Hebert, Jr. et al.	
D789,147	S *	6/2017	Nilssen	D7/409
D806,463	S	1/2018	Gloger	
D812,957	S *	3/2018	McGuinness	D7/334
D819,331	S	6/2018	Ballou et al.	
D819,387	S	6/2018	Stein	
D843,156	S	3/2019	Hebert, Jr. et al.	
D850,200	S	6/2019	Jiang	
D867,048	S *	11/2019	Donfrancesco	D7/332
D874,143	S	2/2020	Seibert	
D877,510	S	3/2020	Christen et al.	
D902,587	S	11/2020	Zhu	
2002/0020144	A1	2/2002	Sarles et al.	
2008/0060633	A1	3/2008	Antwine	
2016/0174298	A1	6/2016	Moon et al.	
2016/0356502	A1	12/2016	Hebert, Jr. et al.	
2019/0239687	A1	8/2019	Veatch, III et al.	

OTHER PUBLICATIONS

U.S. Appl. No. 29/769,359, filed Feb. 4, 2021, John Joseph Veatch, III.
Cuisinart CGG-180T Petit Gourmet Portable Tabletop Propane Gas Grill, as early as May 24, 2015, Amazon, (Year: 2015), retrieved from the internet Aug. 26, 2021 <<https://www.amazon.com/Cuisinart-CGG-180T-Gourmet-Portable-Tabletop/dp/B004H4WWA6>>.
CustomCarGrills, etsy.com [retrieved on Apr. 8, 2021] Retrieved from the internet <<https://www.etsy.com/listing/706374405/ccg-perforated-hexagon-xxl-grill-mesh?>>.
Go-Anywhere Charcoal Grill, Weber Grills, n.d. [online], [retrieved on Jan. 31, 2019]. Retrieved from the Internet <<https://www.weber.com/US/en/grills/portable-grills/go-anywhere-series/121020.html>>.
Mon Oncle bbq, RS Barcelona, n.d [online], [retrieved on Jan. 31, 2019]. Retrieved from the Internet <<http://rs-barcelona.com/en/mon-oncle-bbq>>.
Pelican, Pelican 1200 Case With Foam, Dec. 6, 2007, Amazon, (Year: 2007), retrieved from the internet Aug. 26, 2021, <<https://www.amazon.com/Pelican-1200-Case-Foam-Black/dp/B0002INQT2/>>.

* cited by examiner

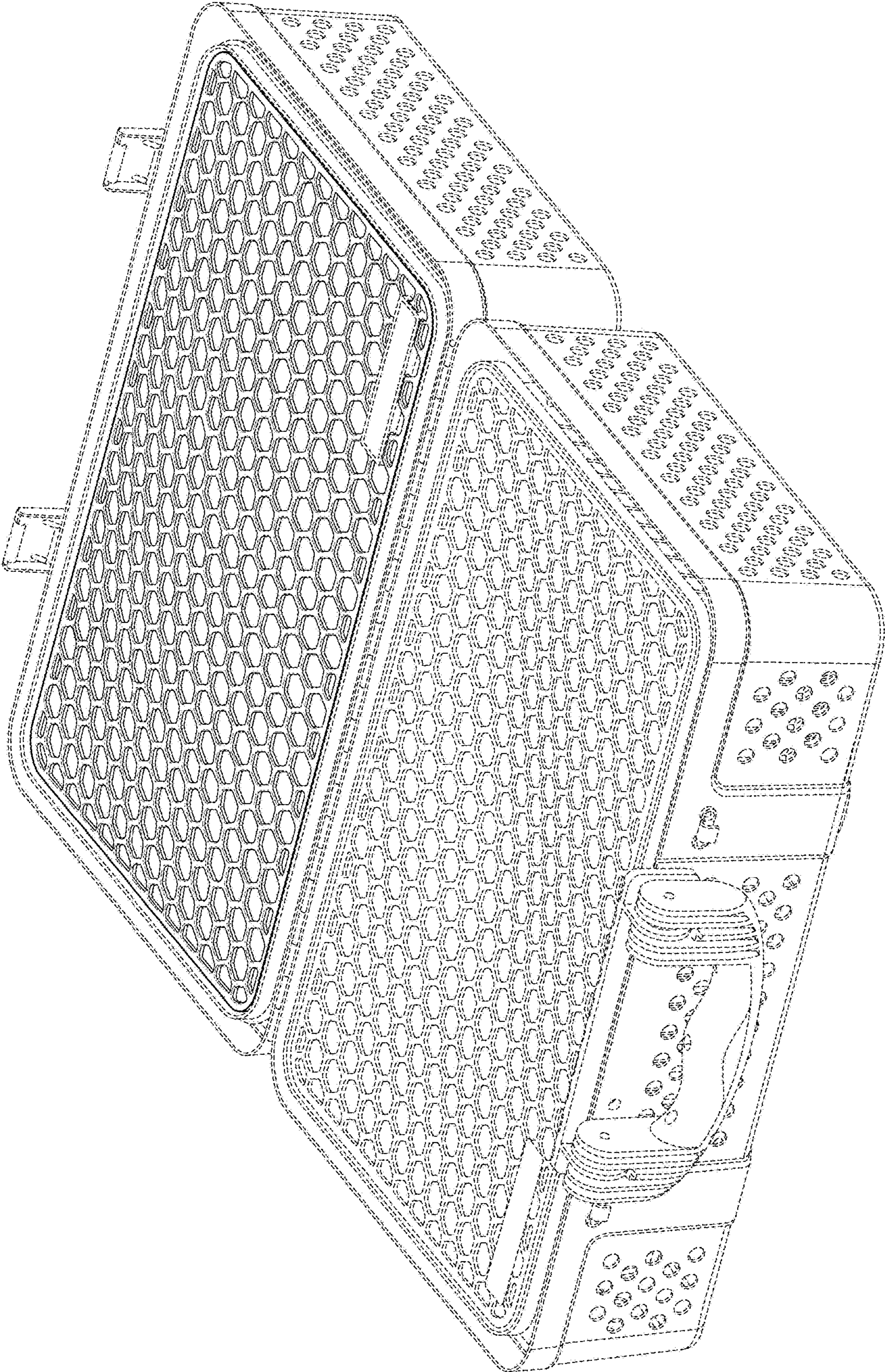


FIG. 1

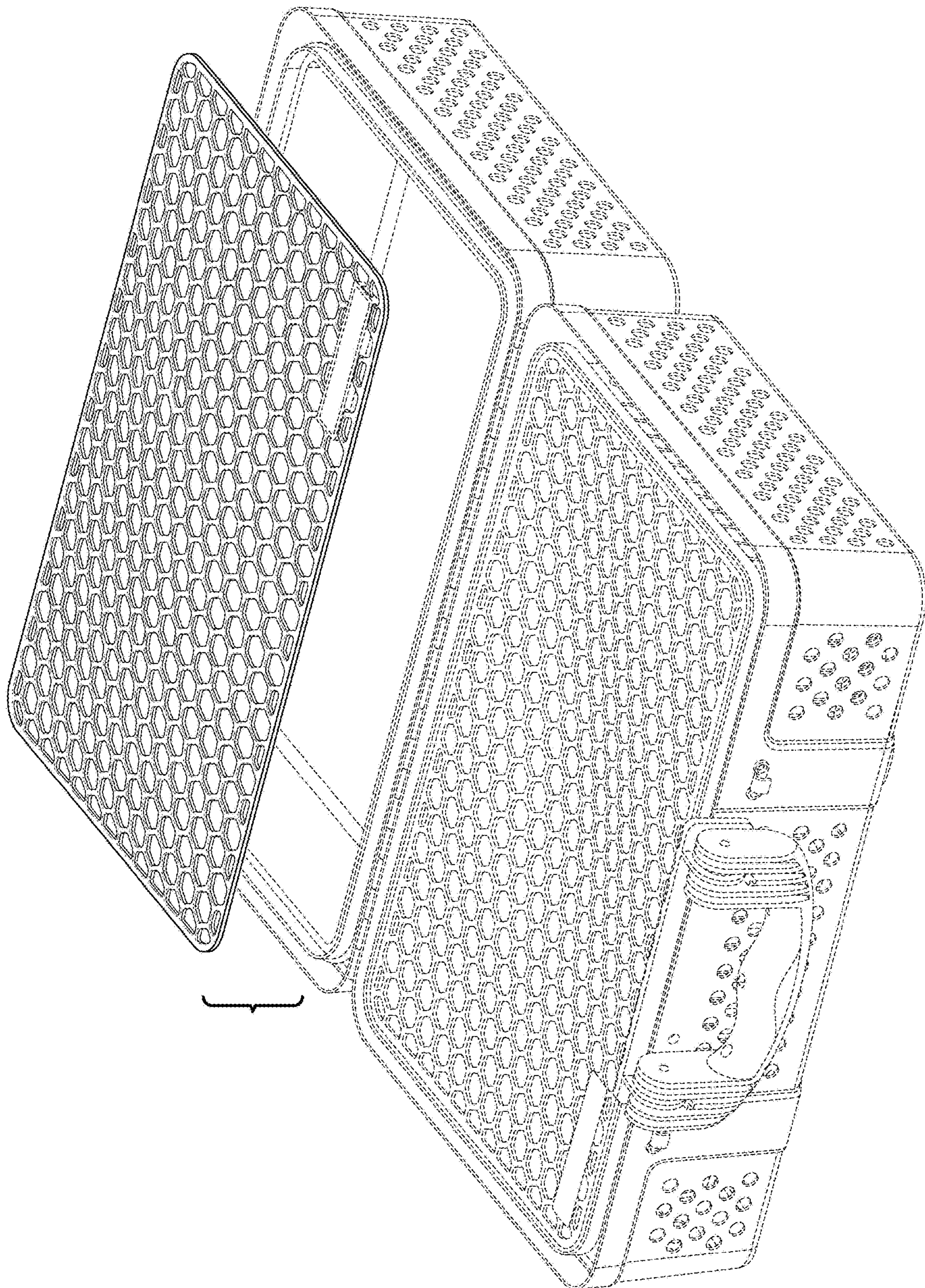


FIG. 2

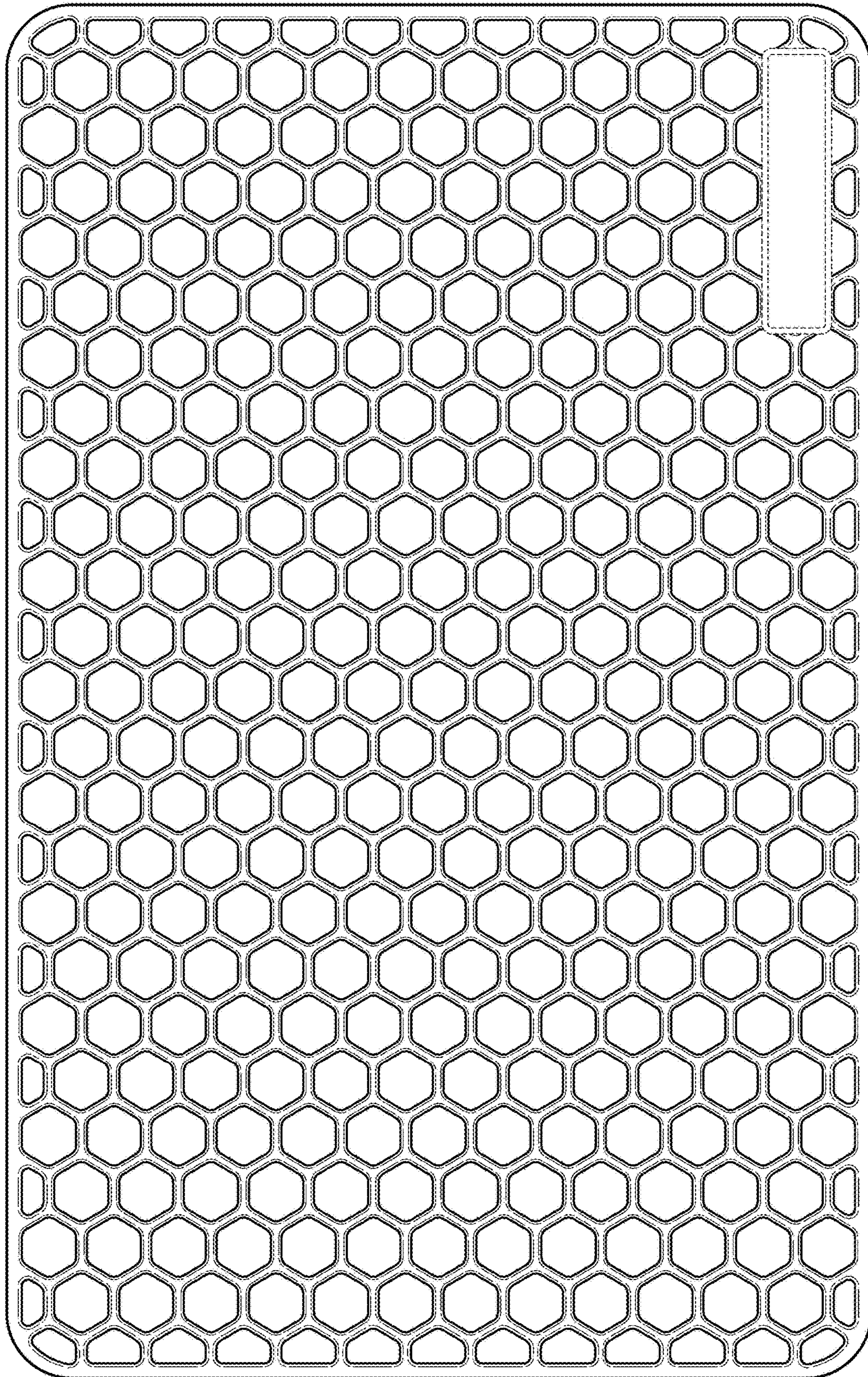


FIG. 3

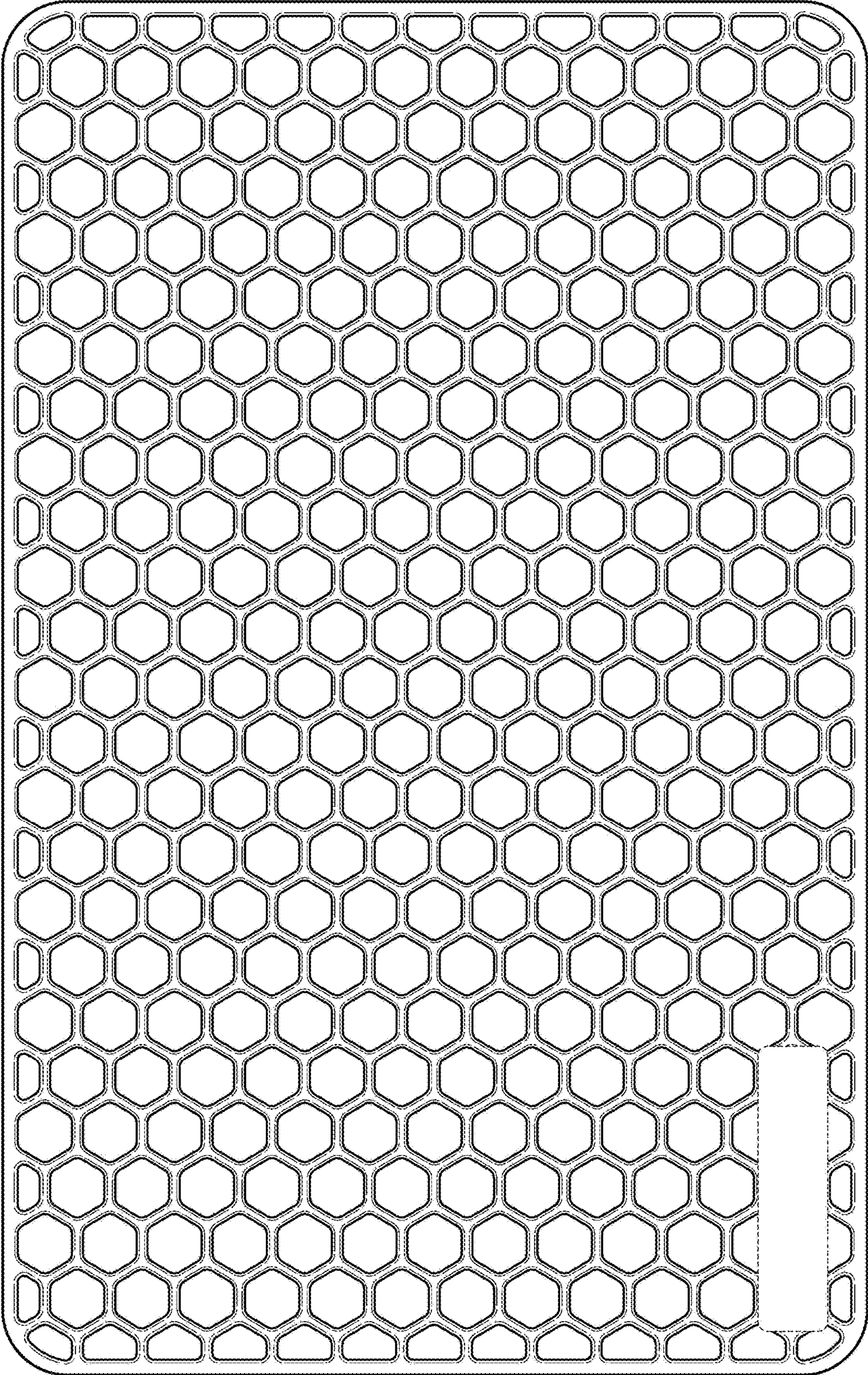


FIG. 4

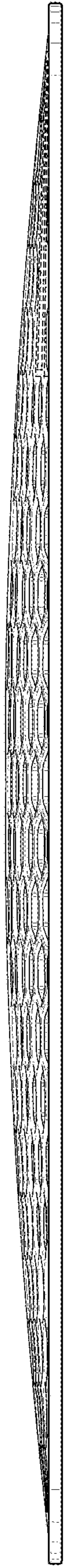


FIG. 5

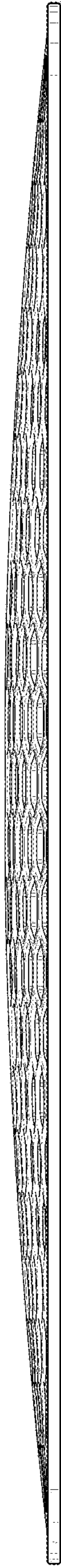


FIG. 6

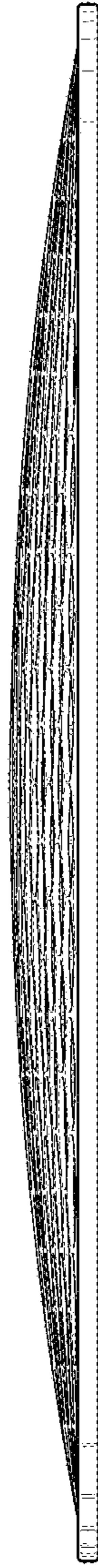


FIG. 7



FIG. 8