



US00D973431S

(12) **United States Design Patent** (10) **Patent No.:** **US D973,431 S**
Lah et al. (45) **Date of Patent:** **** Dec. 27, 2022**

(54) **COOKING APPLIANCE**

(56) **References Cited**

(71) Applicant: **WHIRLPOOL CORPORATION**,
Benton Harbor, MI (US)
(72) Inventors: **Michael Lah**, Benton Harbor, MI (US);
Anish Lale, Pune (IN); **Nehal A. Sayankar**, Pune (IN); **Michael Dean Clark**, Skiatook, OK (US)

U.S. PATENT DOCUMENTS

D391,800 S * 3/1998 Holbrook, Jr. D7/340
D441,149 S 4/2001 Bournay, Jr. et al.
D510,227 S * 10/2005 Baldwin D7/340
(Continued)

(73) Assignee: **Whirlpool Corporation**, Benton Harbor, MI (US)

(**) Term: **15 Years**

(21) Appl. No.: **29/796,432**

(22) Filed: **Jun. 24, 2021**

OTHER PUBLICATIONS

GE Profile 30 in. 5.6 cu. ft. Gas Range PGB935YPFS, Home Depot, [online], [site visited Mar. 10, 2022], Available from internet URL: <https://www.homedepot.com/p/GE-Profile-30-in-5-6-cu-ft-Gas-Range-with-Self-Cleaning-Convection-Oven-and-Air-Fry-in-Stainless-Steel-PGB935YPFS/314138088#overlay> (Year: 2022).*

(Continued)

Primary Examiner — Mary Ann Calabrese
Assistant Examiner — Natalya M Rapundalo
(74) *Attorney, Agent, or Firm* — Price Heneveld LLP

Related U.S. Application Data

(63) Continuation of application No. 29/710,398, filed on Oct. 23, 2019, now Pat. No. Des. 925,978.

(51) **LOC (13) Cl.** **07-02**

(52) **U.S. Cl.**
USPC **D7/406**

(58) **Field of Classification Search**
USPC D7/323, 328–330, 332–351, 354, 358, D7/360, 361, 372, 373, 378, 386, 387, D7/393, 400, 402, 405–409, 509, 511, D7/533, 534, 536, 601, 602, 629, 679, D7/700; D21/523–525
CPC A47J 27/00; A47J 27/004; A47J 27/08; A47J 27/086; A47J 27/09; A47J 27/21; A47J 33/00; A47J 36/26; A47J 37/06; A47J 37/0623; A47J 37/0647; A47J 37/0652; A47J 37/0658; A47J 37/07; A47J 37/0704; A47J 37/0713; A47J 37/0763; A47J 37/101; A47J 37/108; A47J 43/00; A47J 47/00; F24C 1/16; F24C 3/00; F24C 3/002; F24C 3/008; F24C 3/022; F24C 3/027; F24C

(Continued)

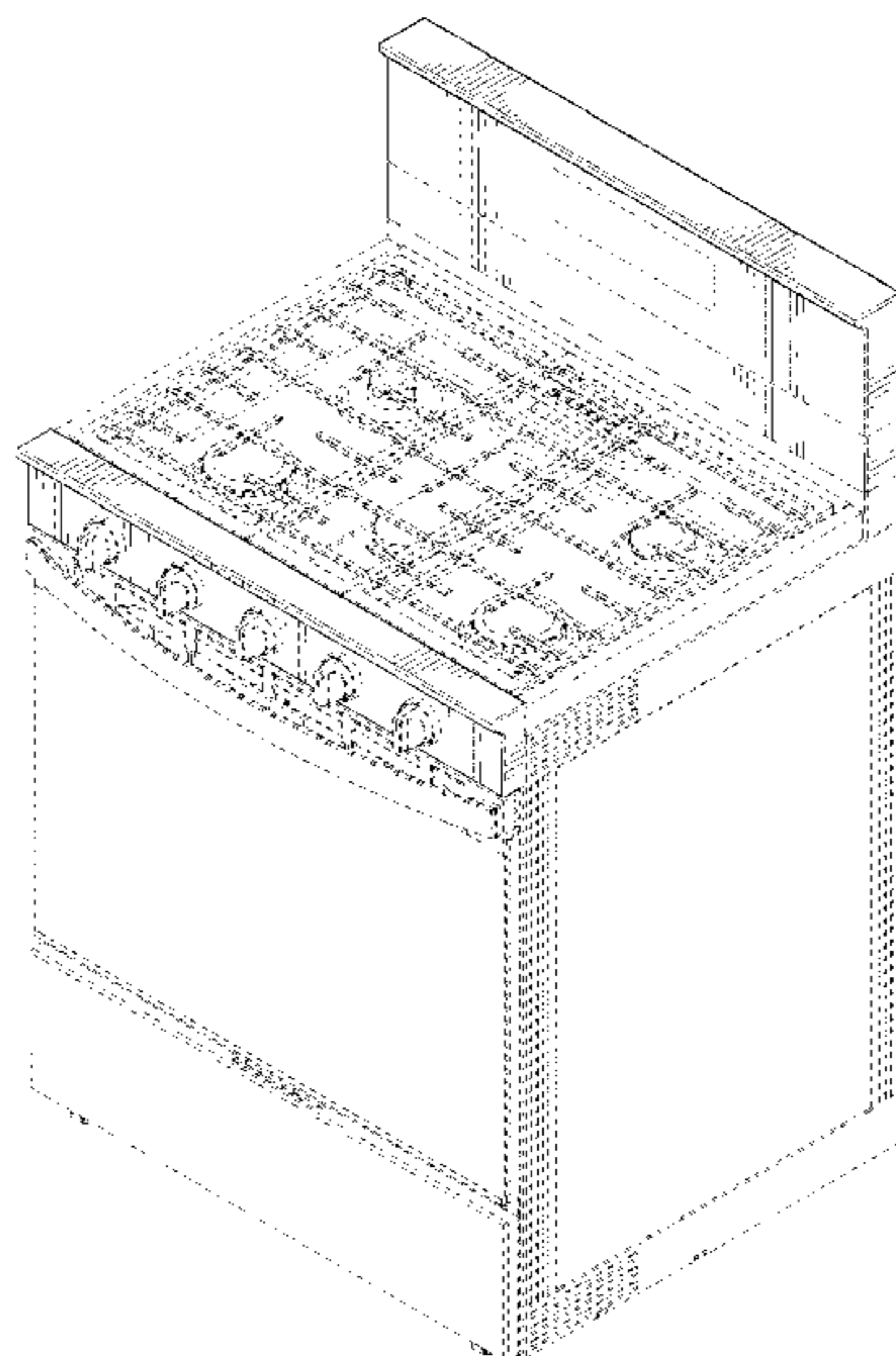
(57) **CLAIM**

The ornamental design for a cooking appliance, as shown and described.

DESCRIPTION

FIG. 1 is a perspective view of a cooking appliance according to the design;
FIG. 2 is a front elevation view thereof;
FIG. 3 is a right side elevation view thereof;
FIG. 4 is a rear elevation view thereof;
FIG. 5 is a left side elevation view thereof;
FIG. 6 is a top plan view thereof; and,
FIG. 7 is a bottom plan view thereof.
The dashed broken lines shown in the drawings depict portions of the cooking appliance and form no part of the claimed design.
The dot-dash broken lines adjacent un-shaded areas represent bounds of the claimed design and form no part thereof.

1 Claim, 7 Drawing Sheets



(58) **Field of Classification Search**
 CPC ... 3/08; F24C 3/082; F24C 3/085; F24C 3/14;
 F24C 15/10; F24C 15/12; F24C 15/36
 See application file for complete search history.

(56) **References Cited**

U.S. PATENT DOCUMENTS

D530,972 S	*	10/2006	Park	D7/340
D535,515 S	*	1/2007	Sadtler	D7/340
D569,686 S	*	5/2008	Martin	D7/405
D615,344 S	*	5/2010	Grey	D7/340
D616,695 S	*	6/2010	Grey	D7/340
D642,418 S	*	8/2011	Kim	D7/340
D646,519 S		10/2011	Kim et al.		
D669,729 S	*	10/2012	Funnell, II	F24C 3/124 D7/340
D710,645 S		8/2014	Kim et al.		
D731,844 S	*	6/2015	Kim	D7/346
D764,853 S	*	8/2016	Kim	F23D 14/06 D7/339

D794,998 S		8/2017	Cho et al.		
D836,374 S		12/2018	Kim et al.		
D867,064 S		11/2019	Funnell, II		
2011/0120446	A1*	5/2011	Simms	F23D 14/06 126/39 E
2011/0126823	A1*	6/2011	Barritt	F24C 3/126 126/39 BA
2017/0089585	A1	3/2017	Jeong et al.		
2018/0017263	A1*	1/2018	Roberts	F24C 3/124
2021/0247073	A1*	8/2021	Kim	F24C 3/085

OTHER PUBLICATIONS

Premier 36 in. 3.91 cu. ft. Battery Spark Ignition Gas Range in Black BLK5S9BP, Home Depot, [online], [site visited Mar. 10, 2022], Available from internet URL: <https://www.homedepot.com/p/Premier-36-in-3-91-cu-ft-Battery-Spark-Ignition-Gas-Range-in-Black-BLK5S9BP/203358172#overlay> (Year: 2022).*

* cited by examiner

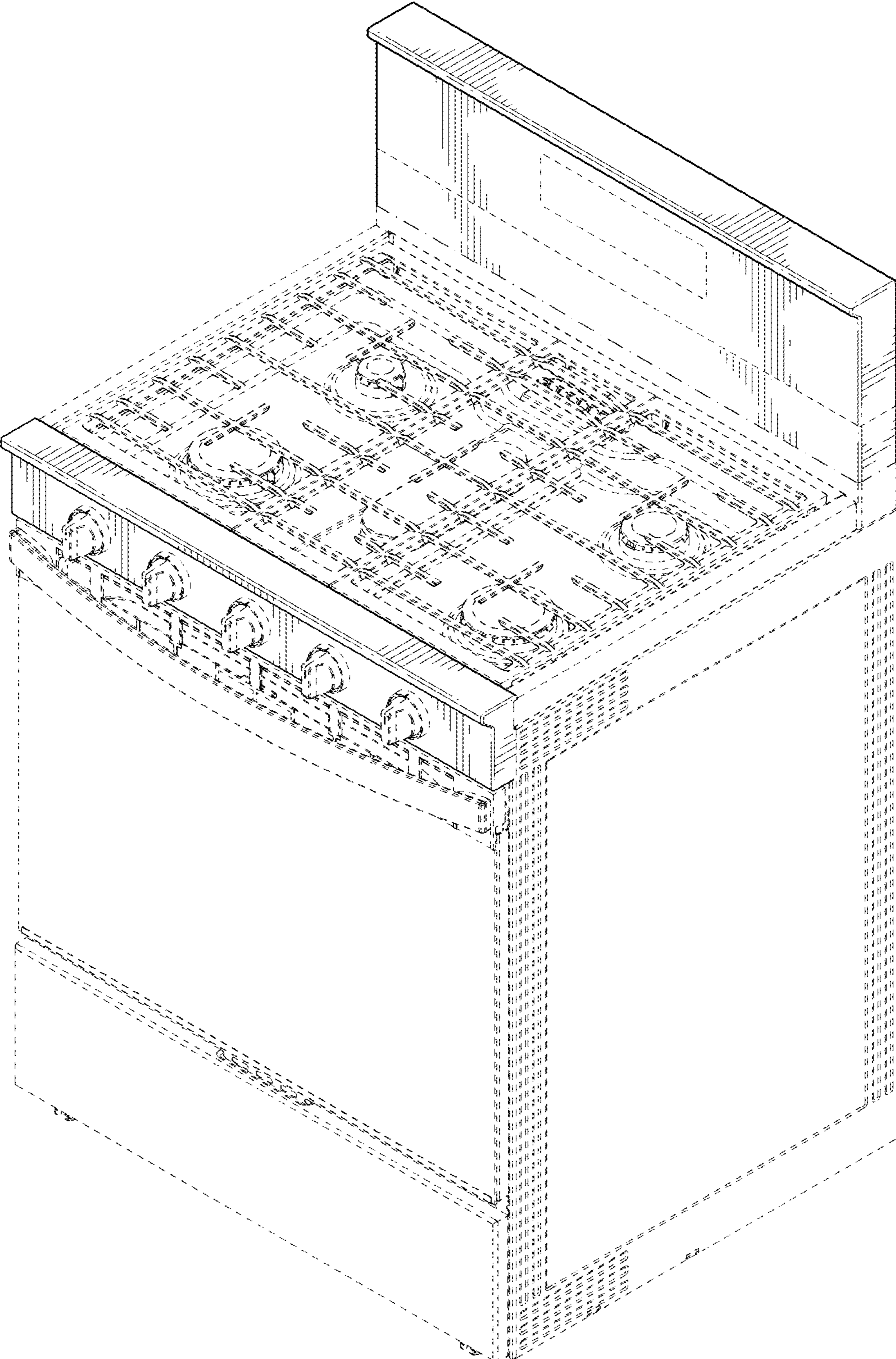


FIG. 1

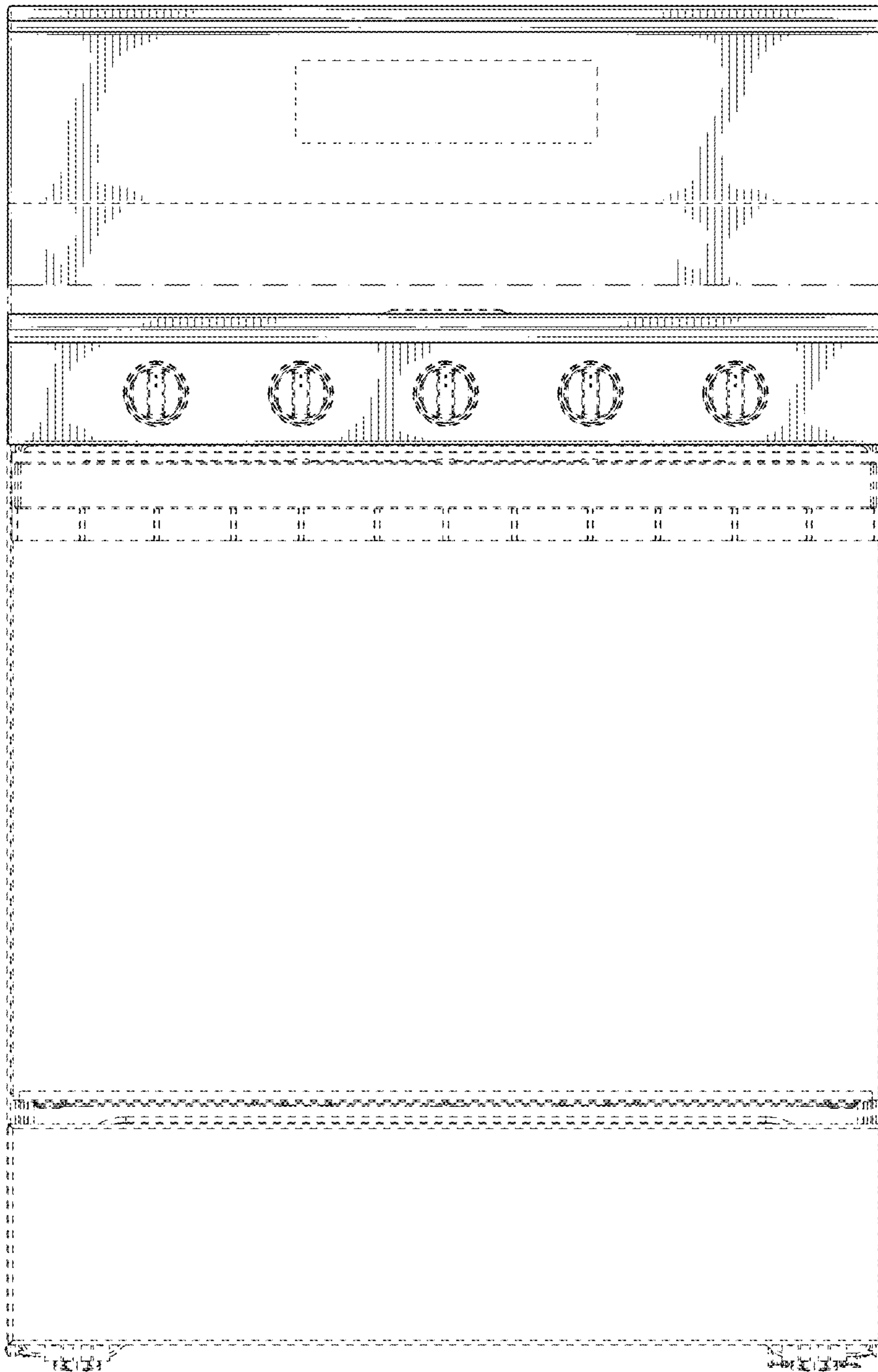


FIG. 2

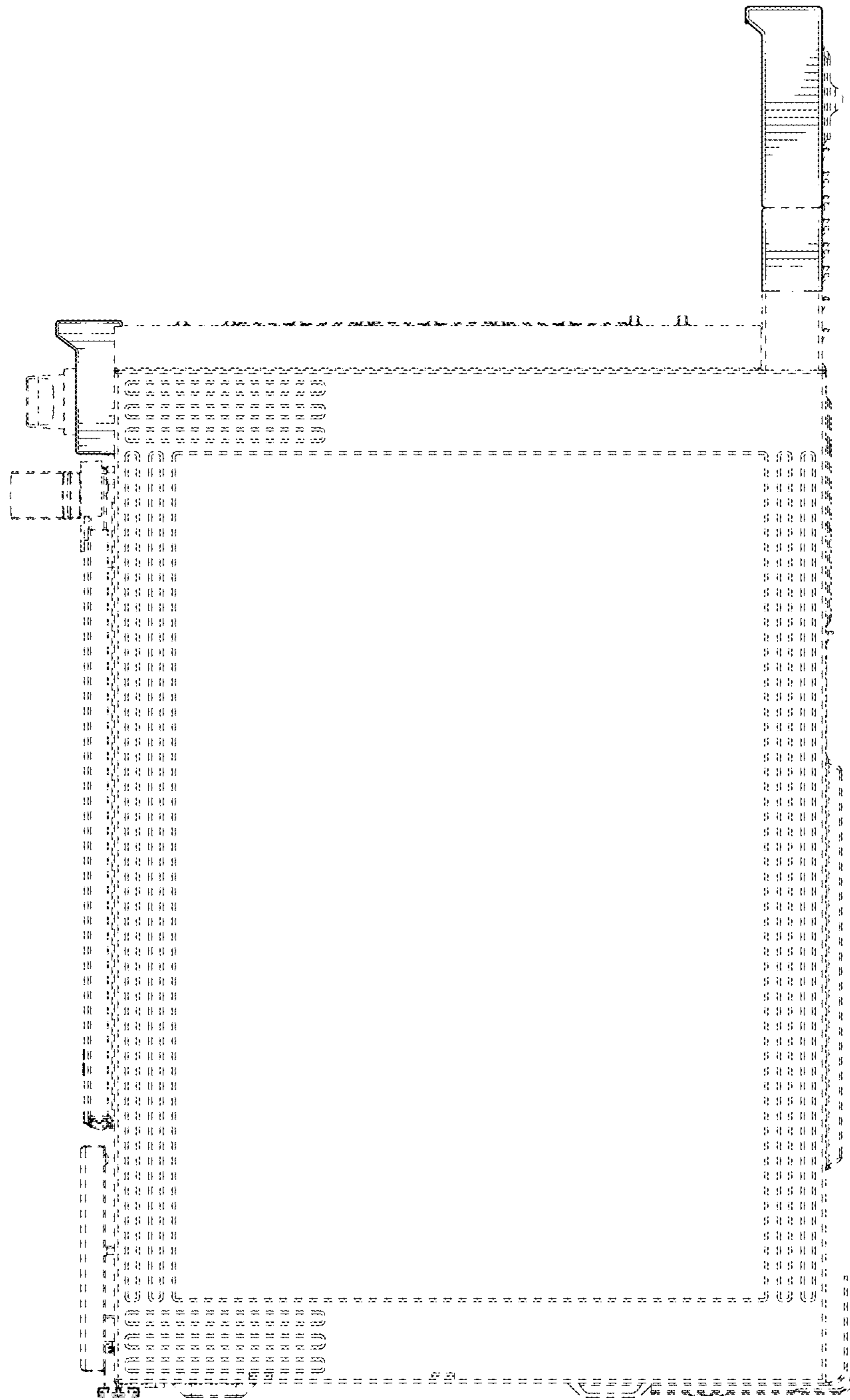


FIG. 3

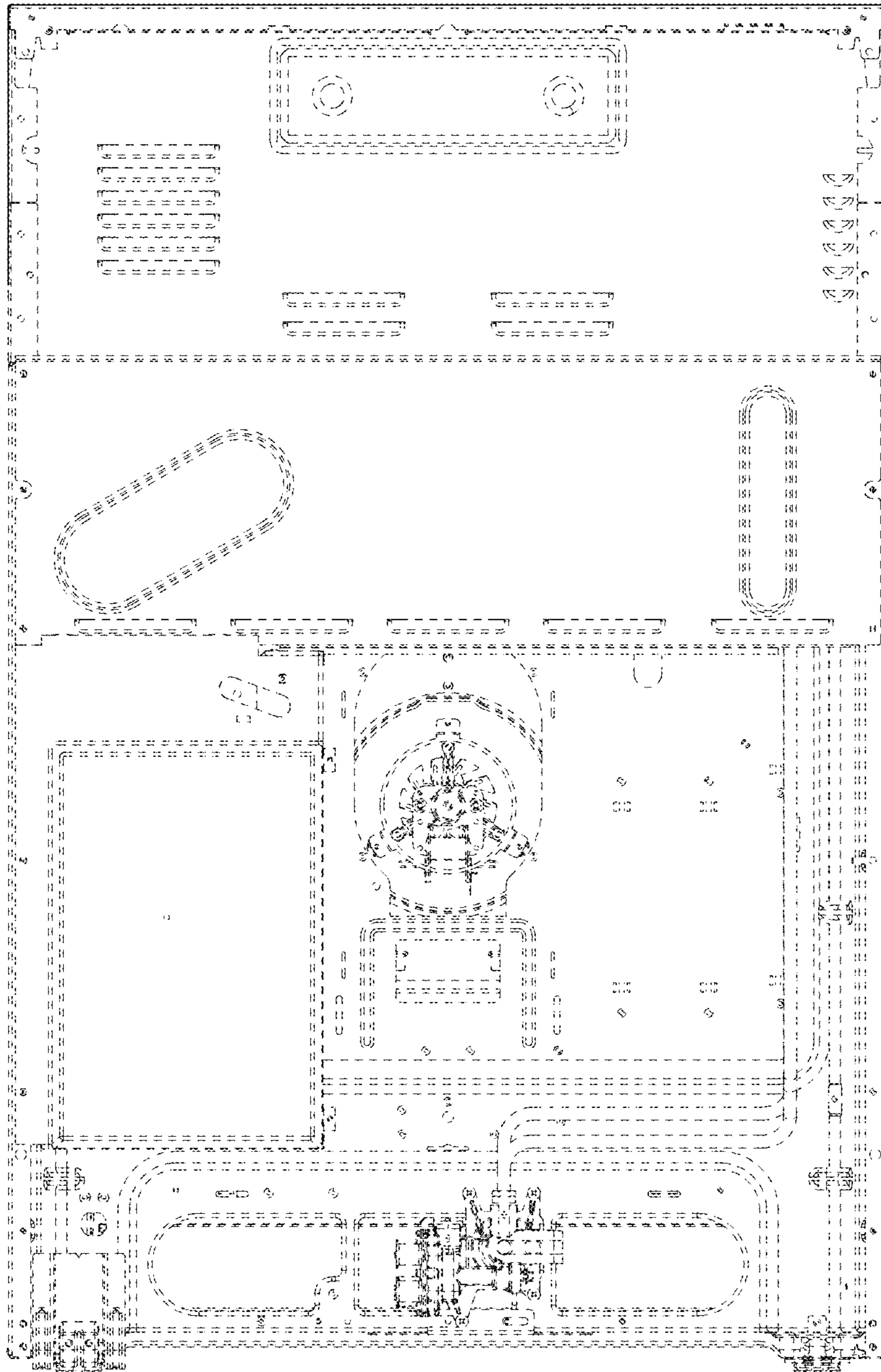


FIG. 4

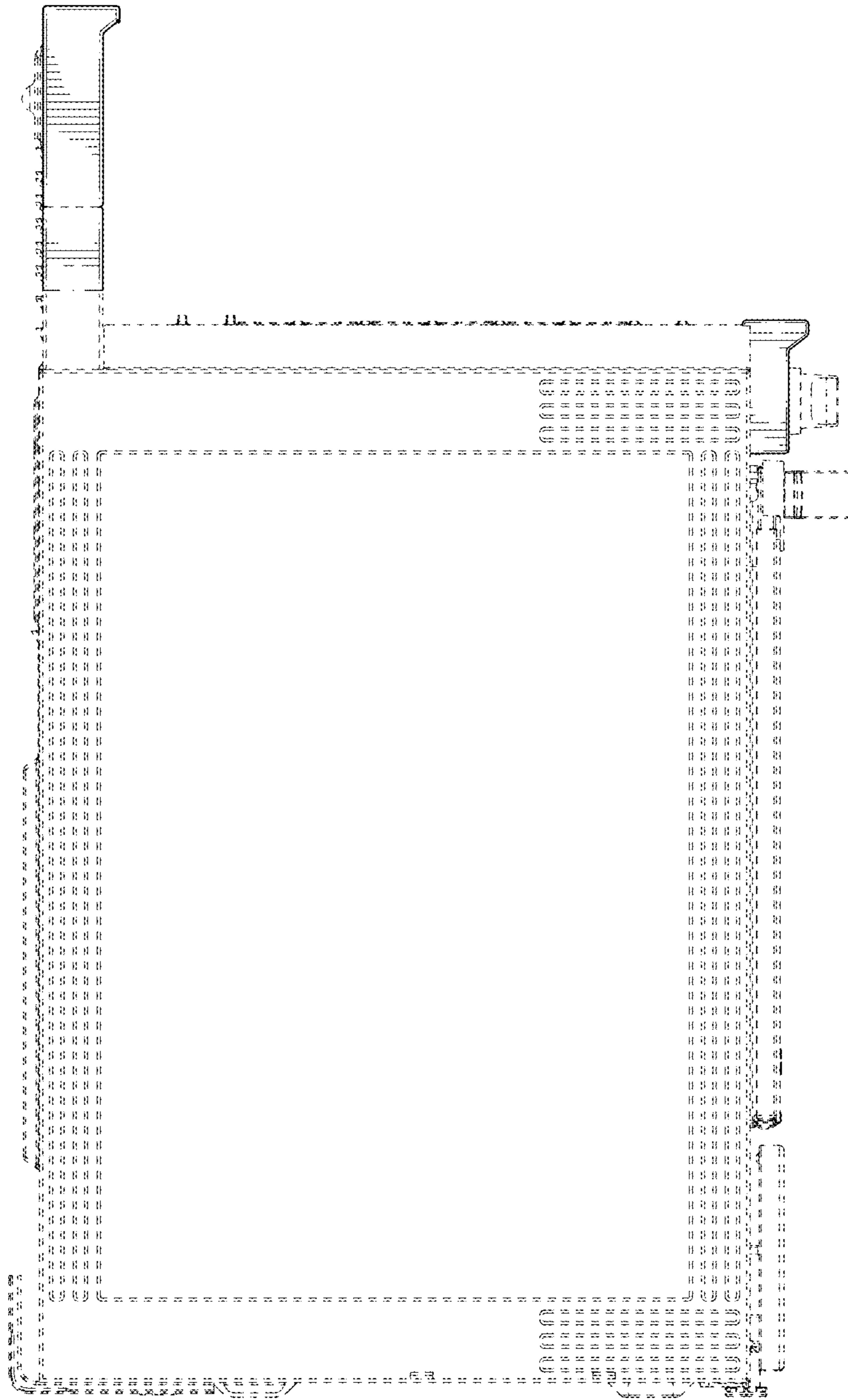


FIG. 5

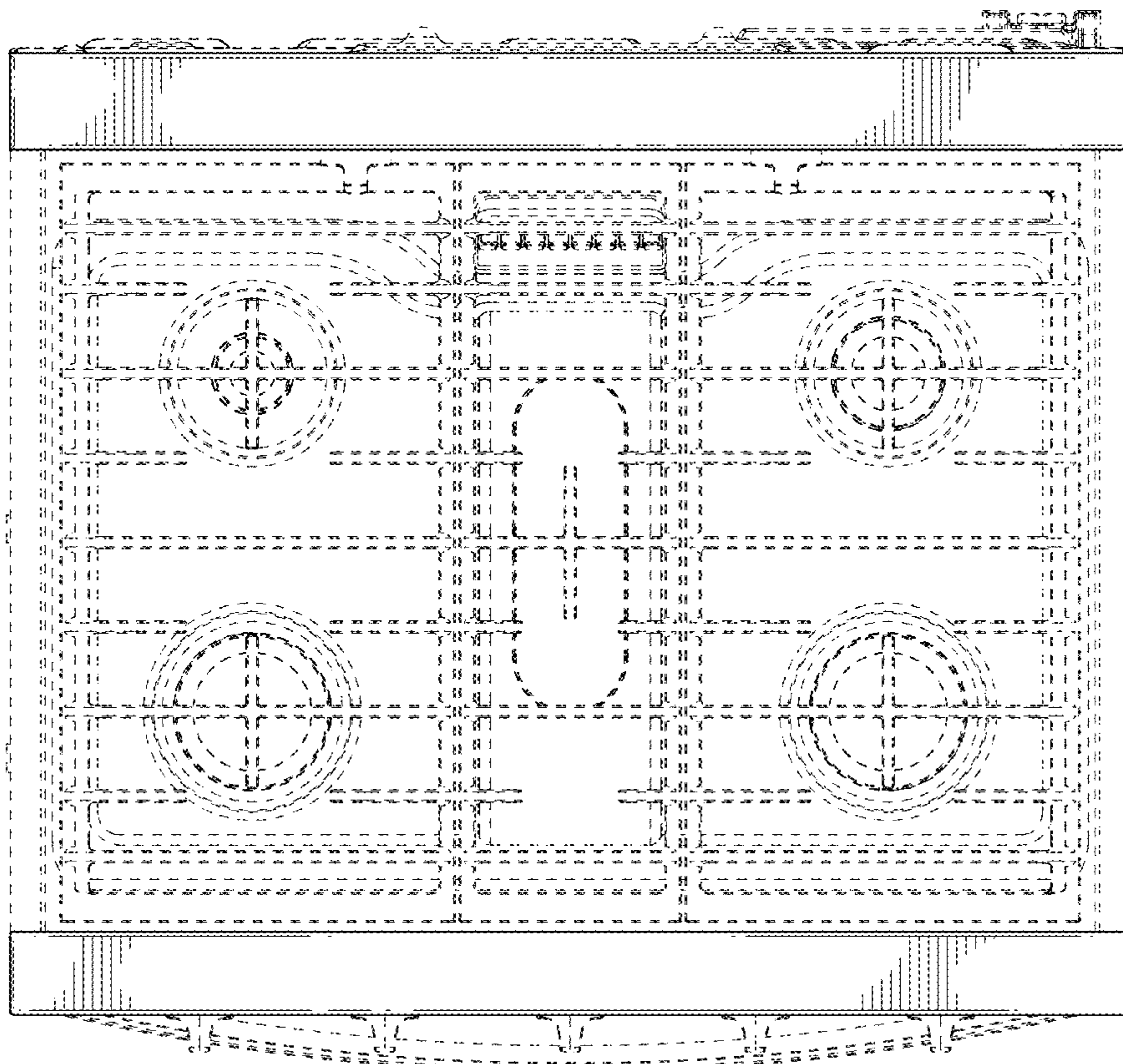


FIG. 6

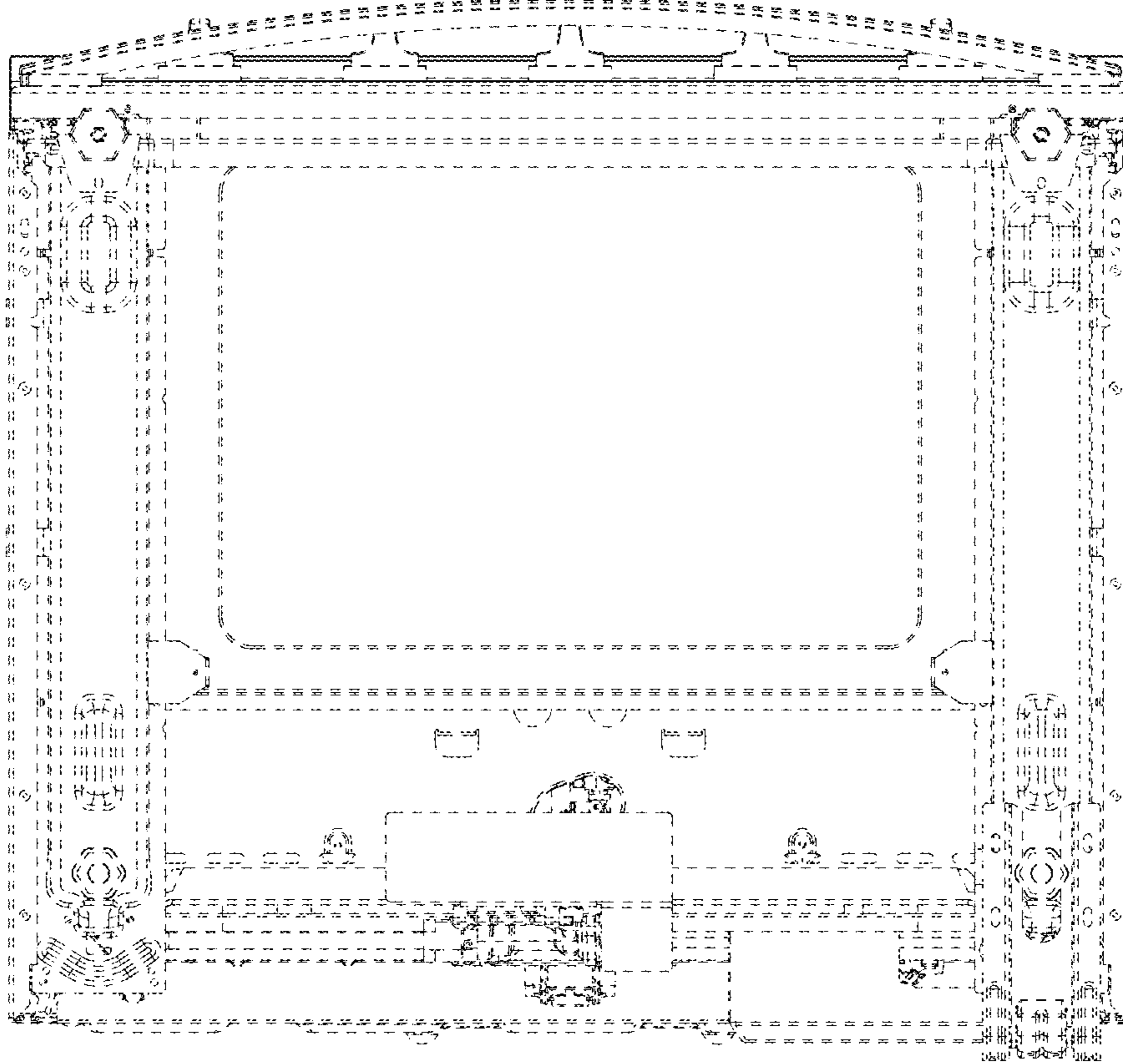


FIG. 7