



US00D973430S

(12) **United States Design Patent** (10) **Patent No.:** **US D973,430 S**
Fin (45) **Date of Patent:** **** Dec. 27, 2022**

(54) **PERFORATING DEVICE**
(71) Applicant: **SAGA COFFEE S.p.A.**
(72) Inventor: **Giuseppe Fin**, Gaggio Montano (IT)
(73) Assignee: **SAGA COFFEE S.p.A.**, Gaggio Montano (IT)

D640,092 S * 6/2011 Aardenburg D7/399
D715,486 S * 10/2014 Brady A45D 20/12
D28/18
D749,361 S * 2/2016 Goodyear, Jr. D7/412
D765,461 S * 9/2016 Palmer D7/368
(Continued)

(**) Term: **15 Years**
(21) Appl. No.: **29/722,373**
(22) Filed: **Jan. 29, 2020**

(30) **Foreign Application Priority Data**
Jul. 31, 2019 (EM) 006656260
(51) **LOC (13) Cl.** **07-02**
(52) **U.S. Cl.**
USPC **D7/397**
(58) **Field of Classification Search**
USPC D7/300, 301-303, 305, 306, 309,
D7/312-314, 316-319, 387, 397-400;
D6/536; D23/207, 209, 213
CPC A47J 31/02; A47J 31/06; A47J 31/061;
A47J 31/0615; A47J 31/0642; A47J
31/0673; A47J 31/18; A47J 31/20; A47J
31/3628; A47J 31/407; A47J 31/44; A47J
31/4403; A47J 31/4482; A47J 31/46;
A47J 31/50; A47J 31/505; A47J 43/28;
A45D 20/12; F25C 5/043
See application file for complete search history.

(56) **References Cited**
U.S. PATENT DOCUMENTS
1,699,970 A * 1/1929 Jacques F25C 5/043
30/164.8
D298,498 S * 11/1988 Greenhut D6/536
D524,405 S * 7/2006 Hoernig F25C 5/043
D23/213
D581,212 S * 11/2008 Macler D7/397

OTHER PUBLICATIONS

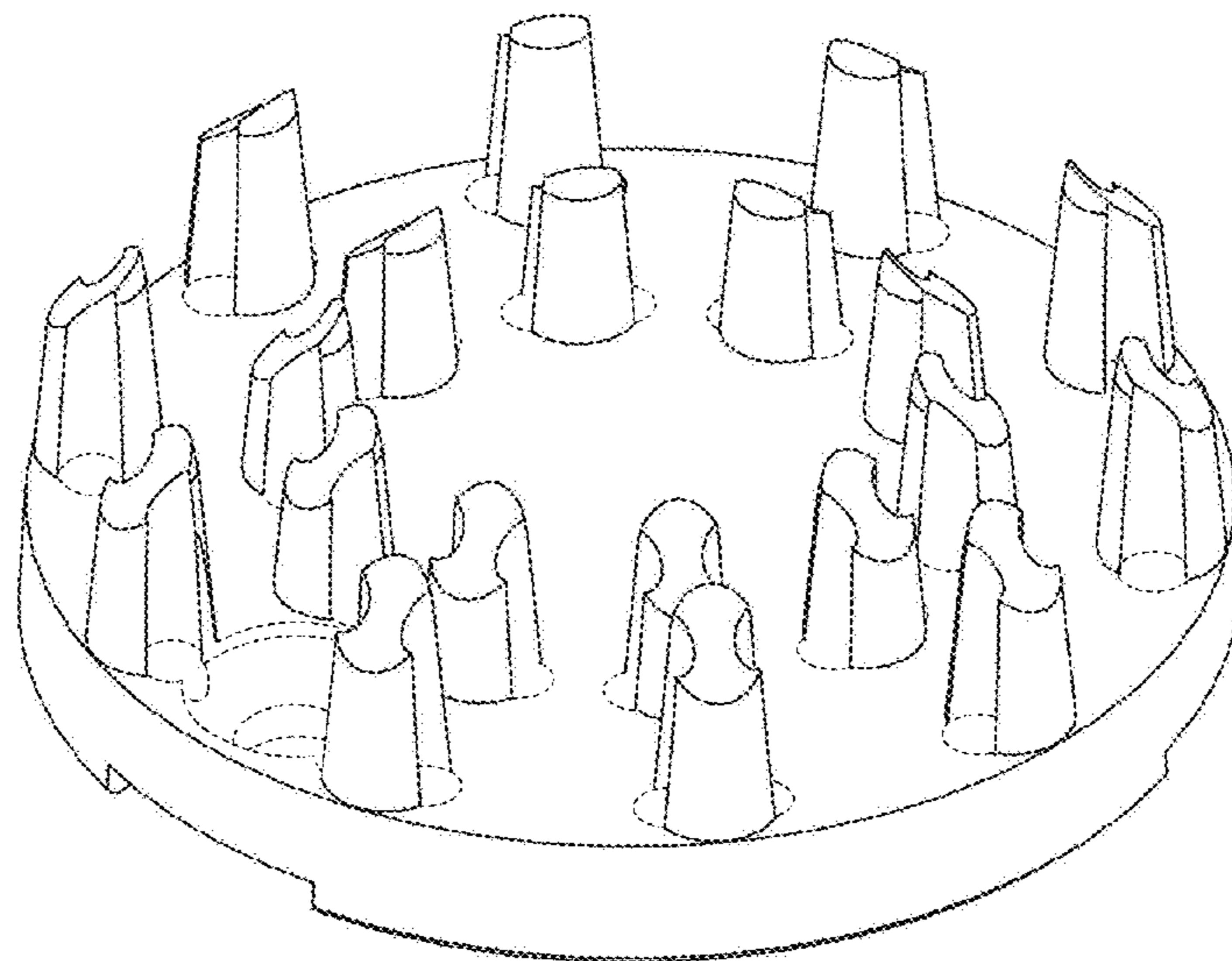
Capsule Perforator, Gastro Parts, [online], [site visited Dec. 9, 2021], Available from internet URL: <https://www.gastroparts.com/en/part-236453> (Year: 2021).*

Primary Examiner — Mary Ann Calabrese
Assistant Examiner — Natalya M Rapundalo
(74) *Attorney, Agent, or Firm* — Dorsey & Whitney LLP

(57) **CLAIM**
The ornamental design for a perforating device, as shown and described.

DESCRIPTION
FIG. 1 is a front perspective view of a perforating device, according to a first embodiment of a new design.
FIG. 2 is a front elevational view thereof;
FIG. 3 is a left side elevational view thereof;
FIG. 4 is a rear elevational view thereof;
FIG. 5 is a right side elevational view thereof;
FIG. 6 is a bottom plan view thereof.
FIG. 7 is a top plan view thereof;
FIG. 8 is a front perspective view of a perforating device, according to a second embodiment of a new design.
FIG. 9 is a front elevational view thereof;
FIG. 10 is a left side elevational view thereof;
FIG. 11 is a rear elevational view thereof;
FIG. 12 is a right side elevational view thereof;
FIG. 13 is a bottom plan view thereof; and,
FIG. 14 is a top plan view thereof.
The broken lines in the drawings depict portions of the perforating device that form no part of the claimed design.

1 Claim, 14 Drawing Sheets



(56)

References Cited

U.S. PATENT DOCUMENTS

D858,223 S * 9/2019 Feng A45D 20/12
D7/693
D865,991 S * 11/2019 Grigorenko D24/215
D921,193 S * 6/2021 Fugo D24/130
2012/0227593 A1* 9/2012 Megdal A47J 43/28
99/567
2019/0313858 A1* 10/2019 Stella A47J 43/28
2020/0164321 A1* 5/2020 Liang C02F 1/24
2022/0175178 A1* 6/2022 Fin A47J 31/3633

* cited by examiner

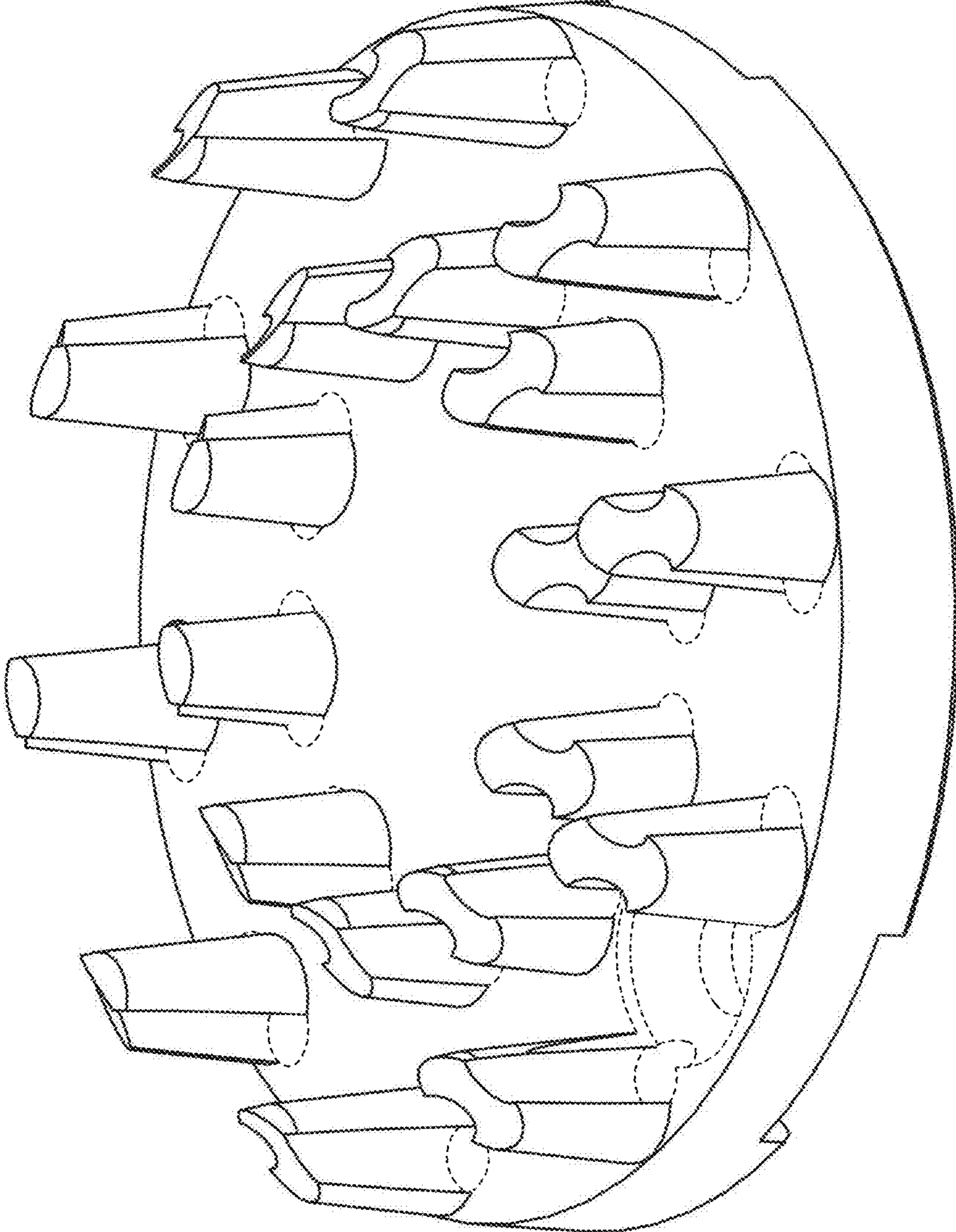


FIG. 1

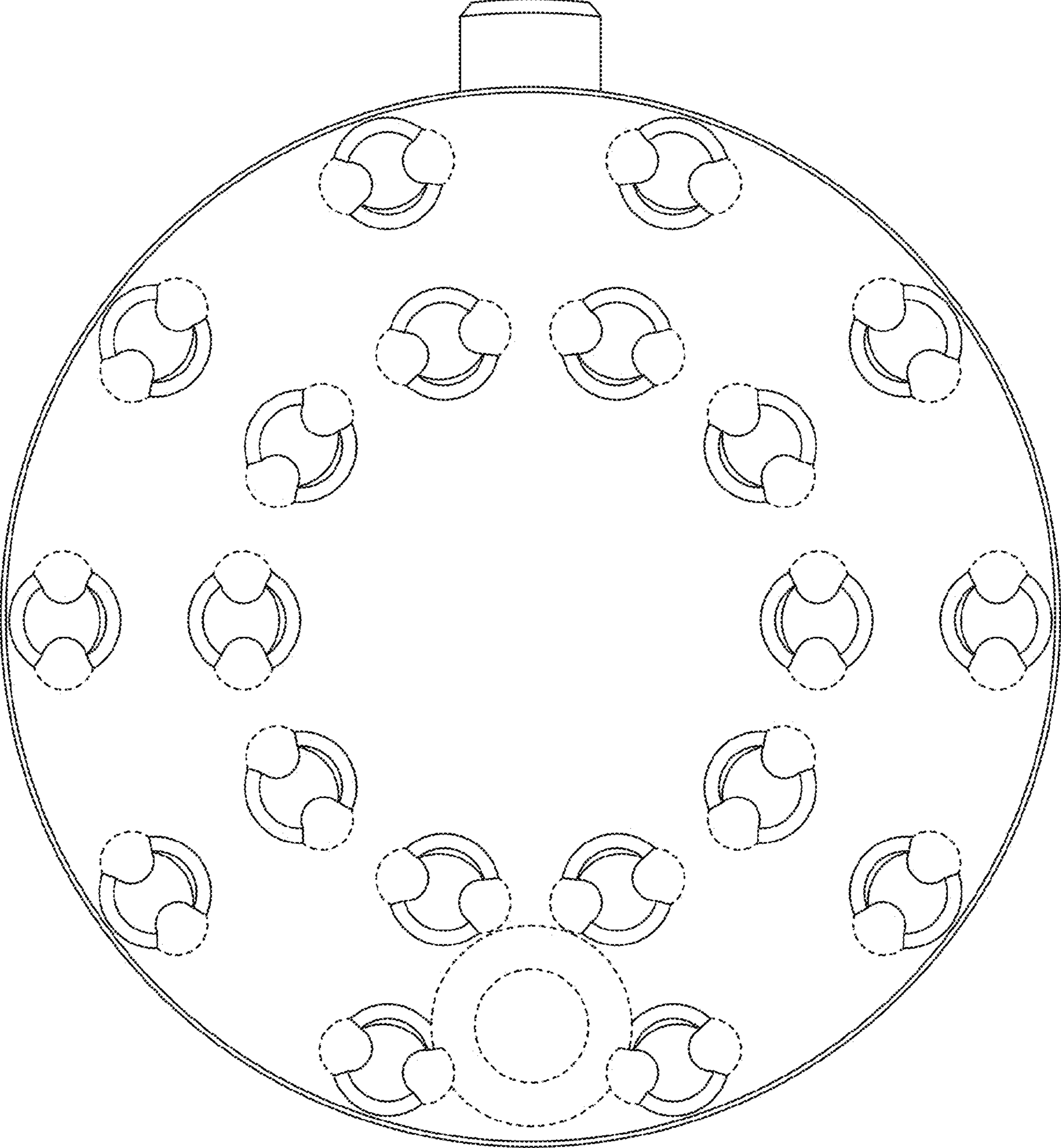


FIG. 2

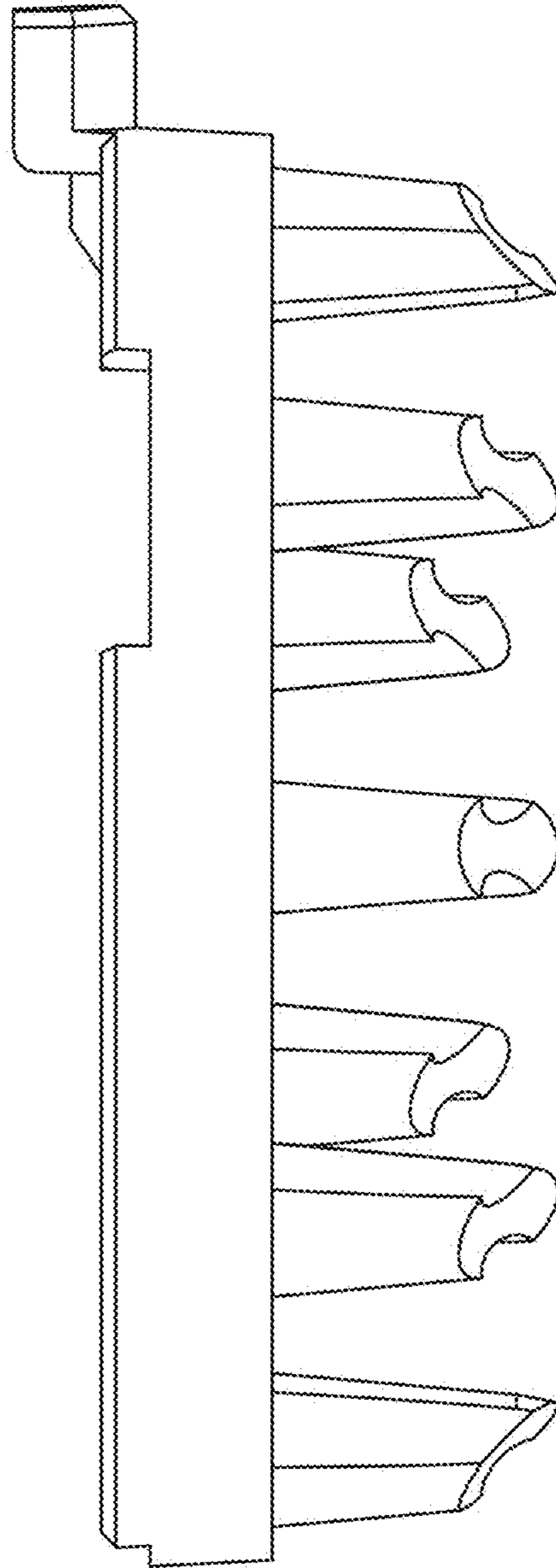


FIG. 3

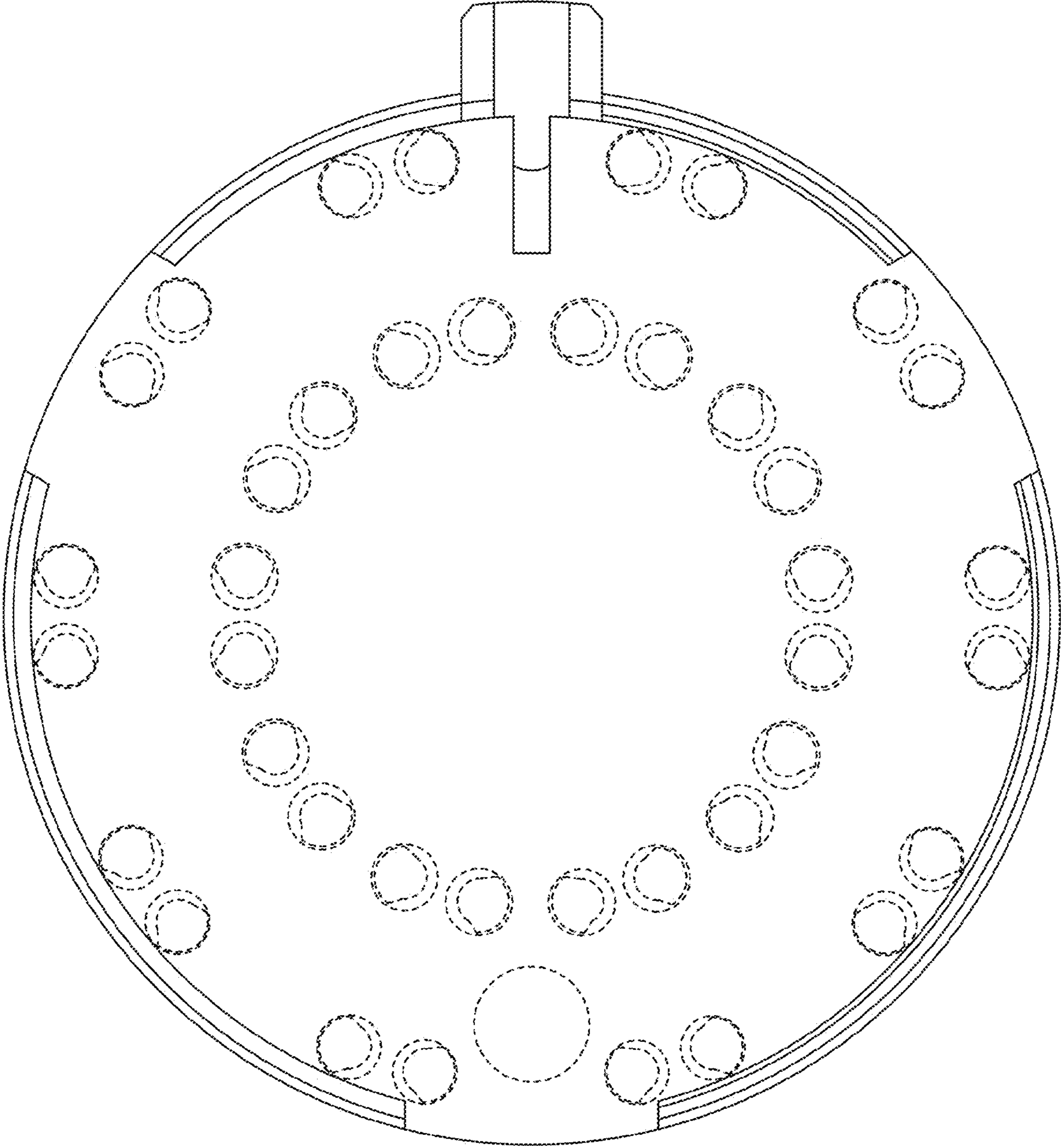


FIG. 4

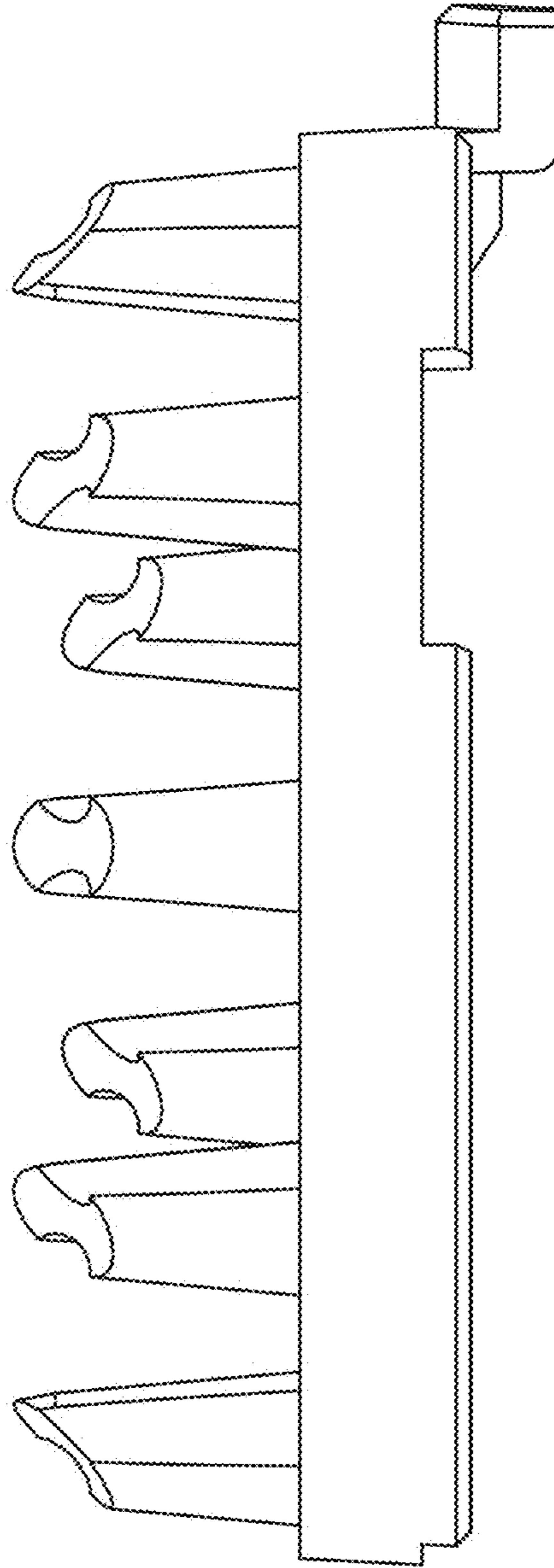


FIG. 5

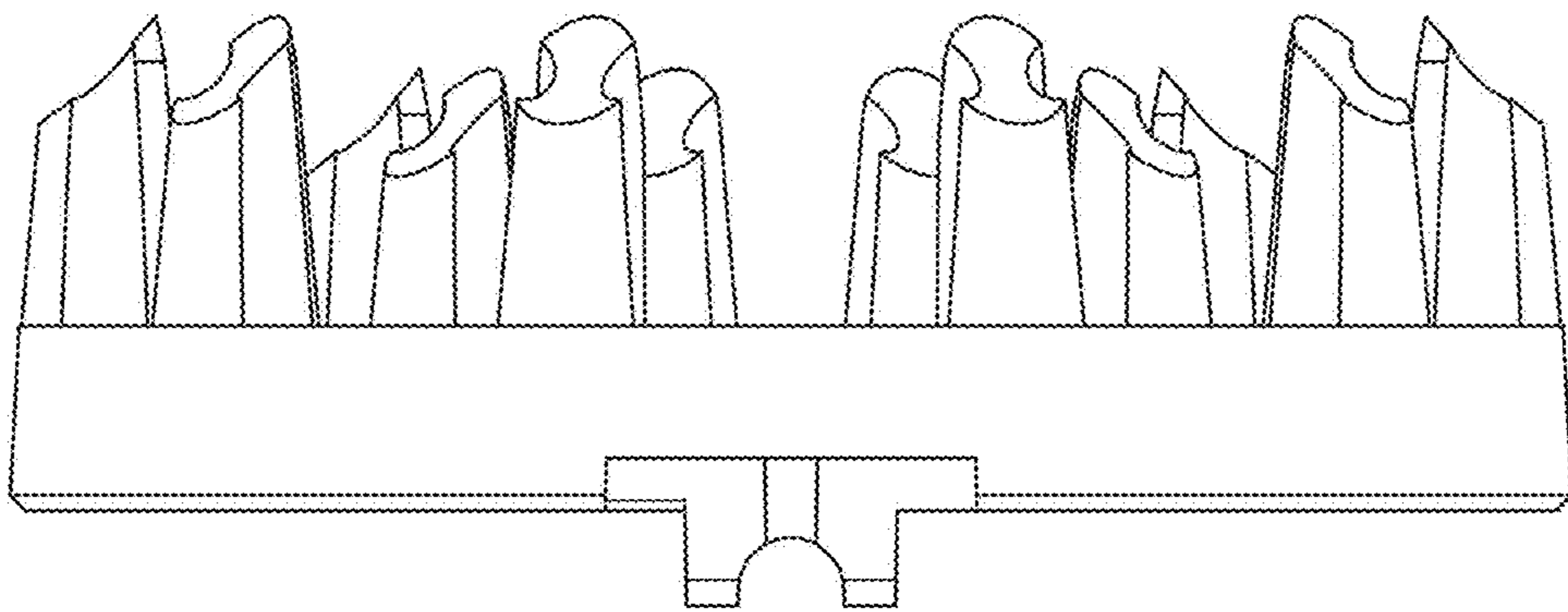


FIG. 6

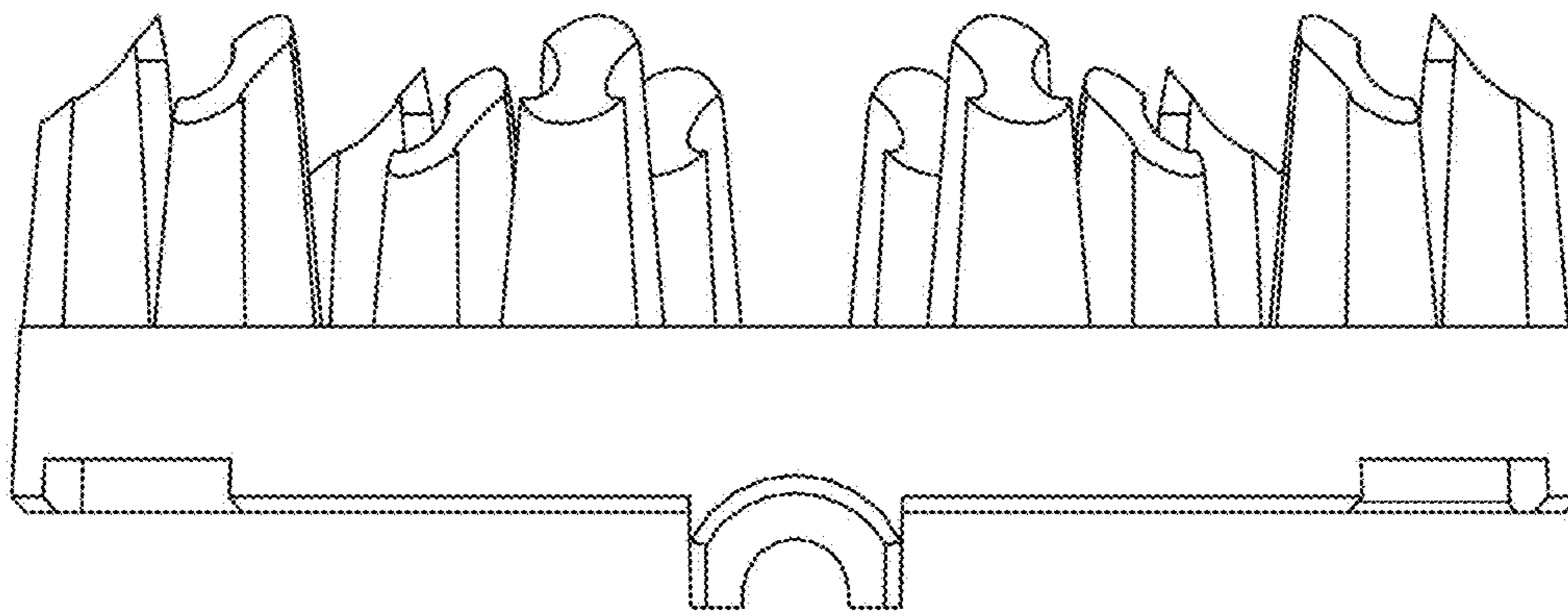


FIG. 7

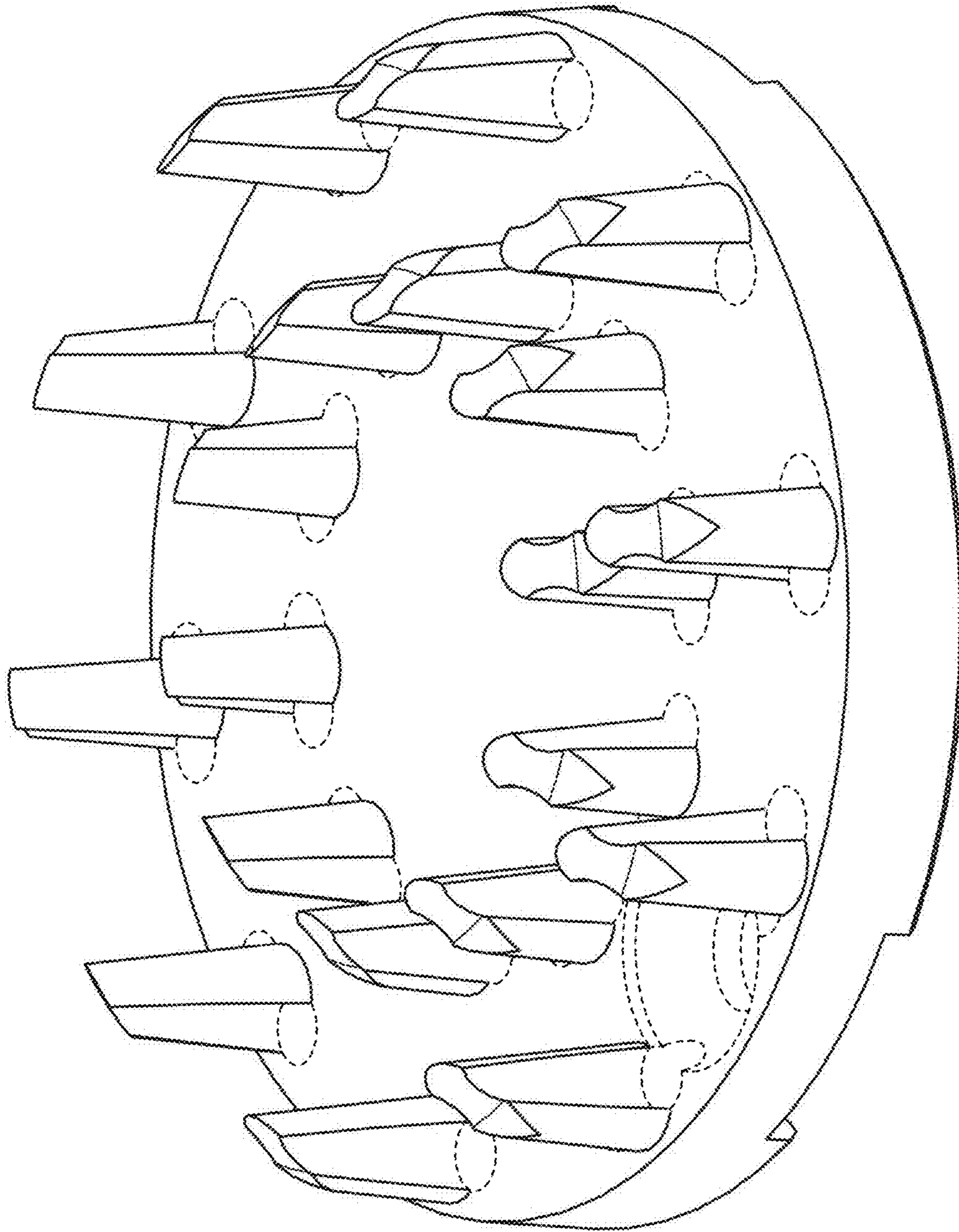


FIG. 8

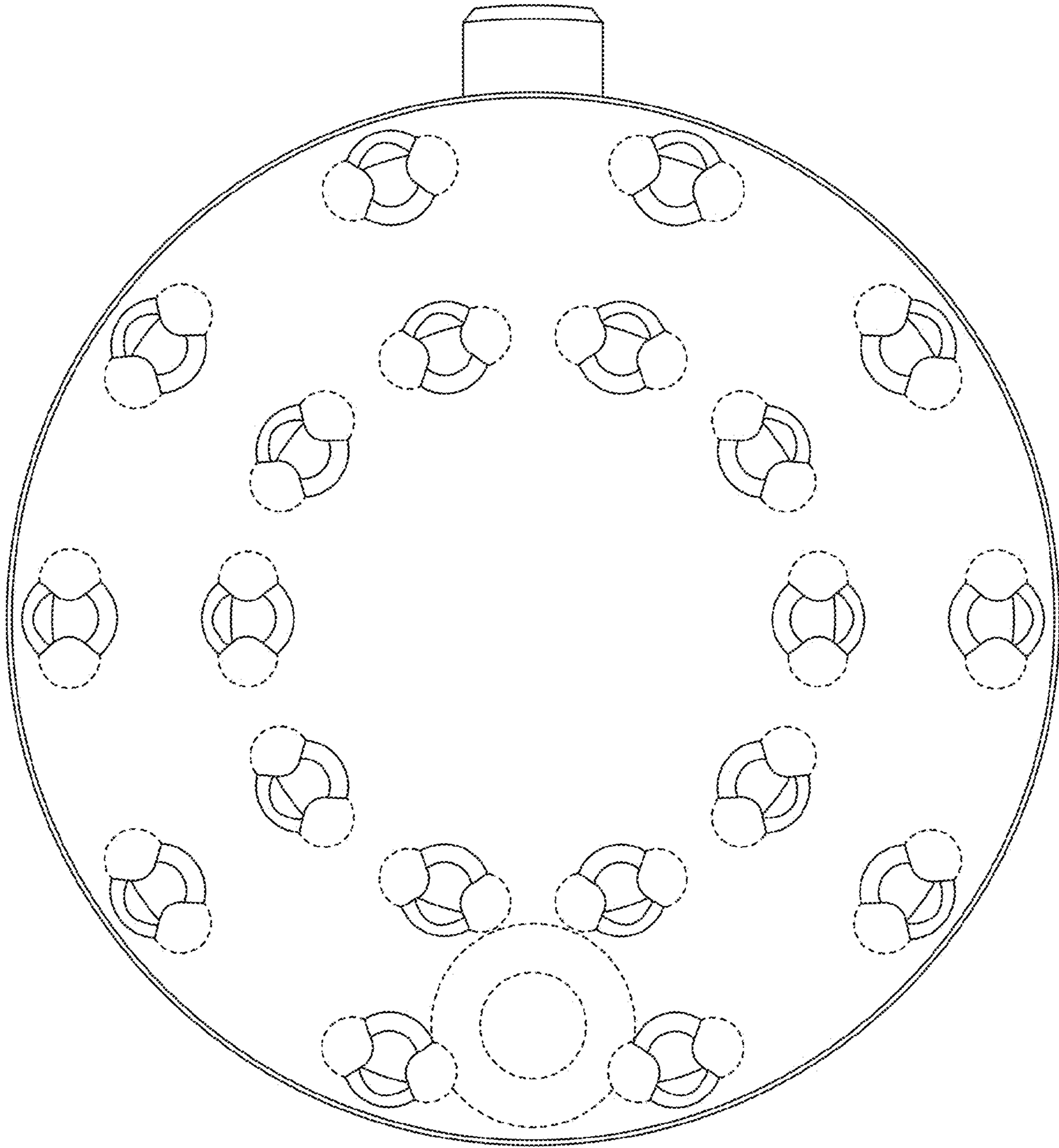


FIG. 9

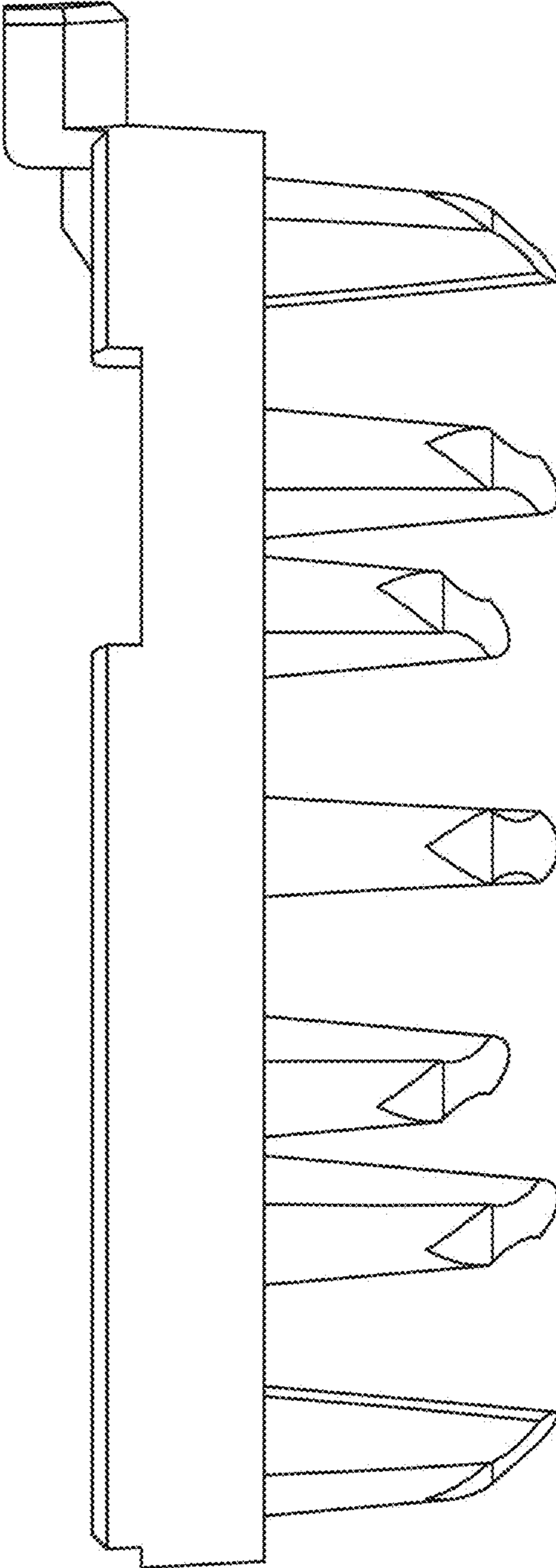


FIG. 10

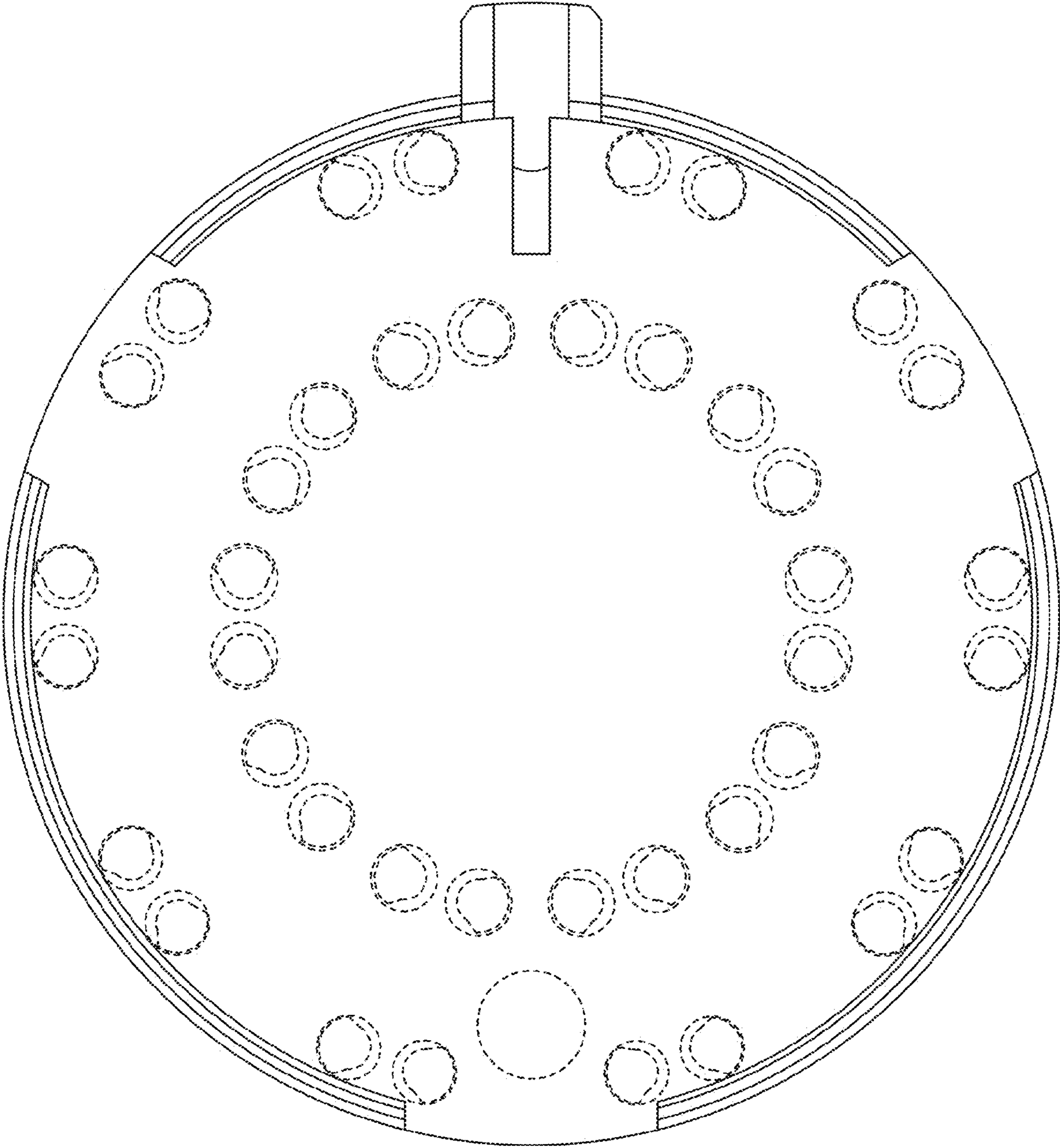


FIG. 11

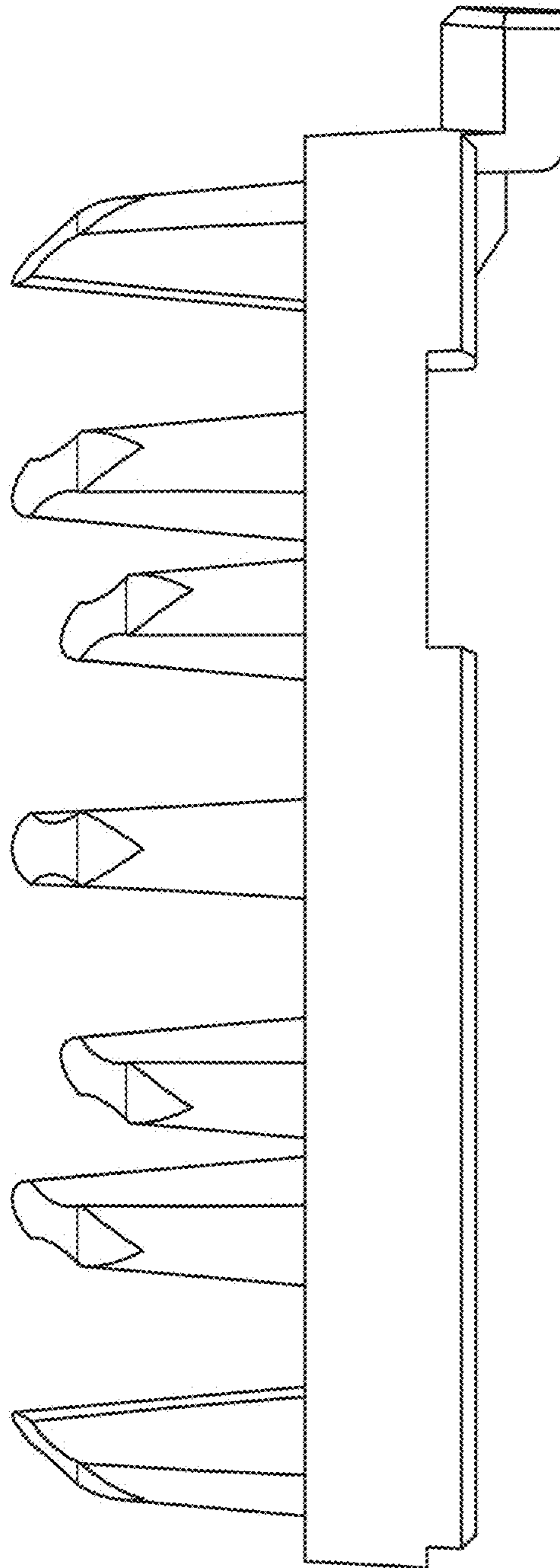


FIG. 12

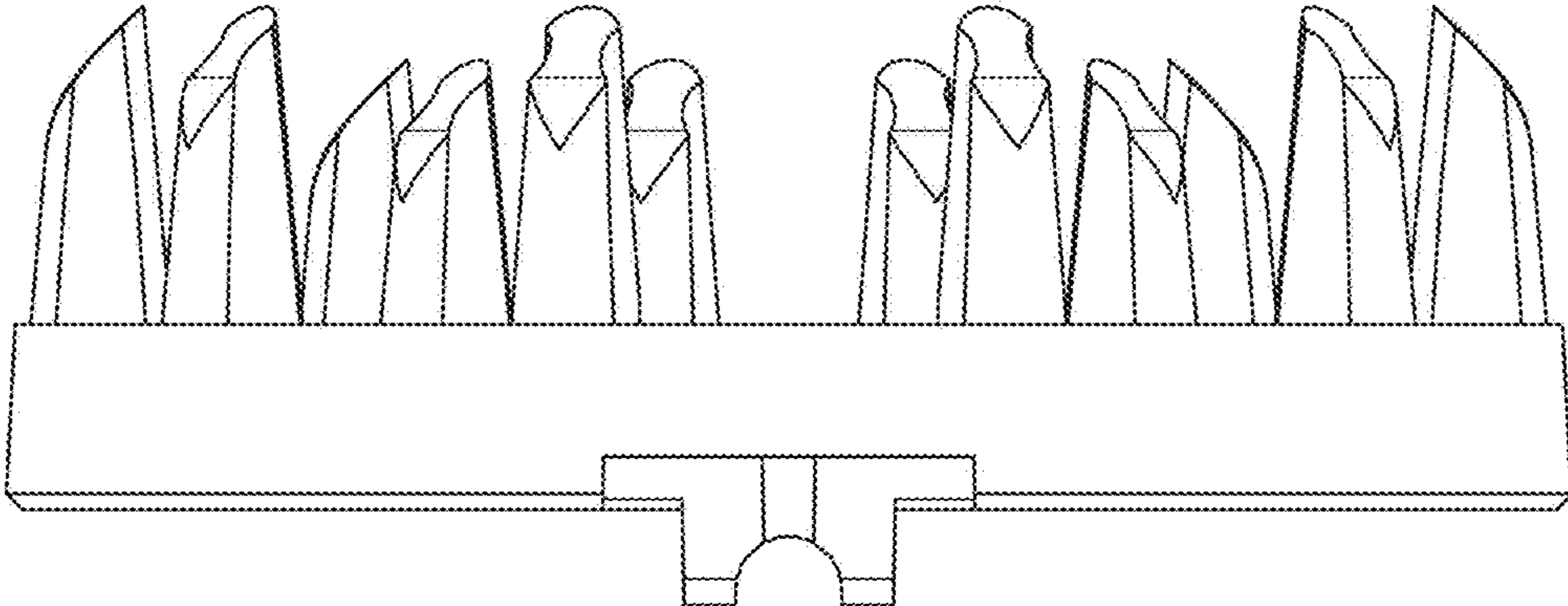


FIG. 13

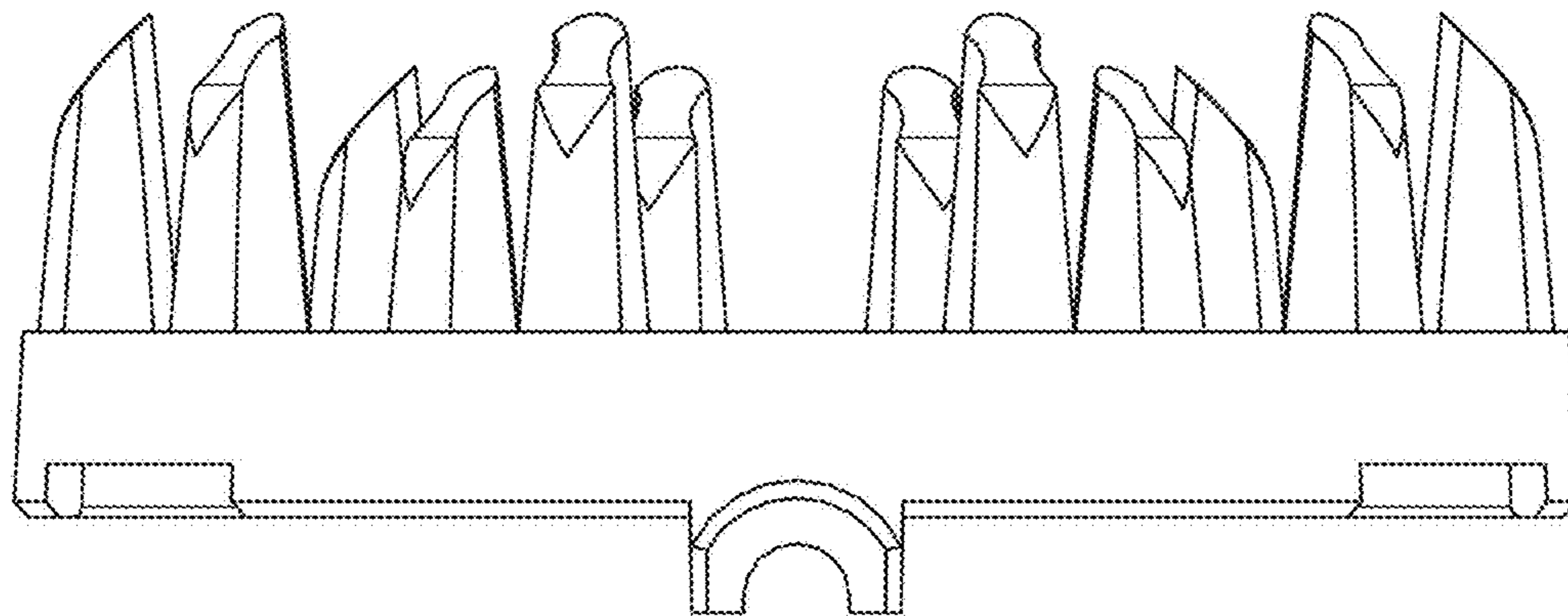


FIG. 14