



US00D973428S

(12) **United States Design Patent** (10) **Patent No.:** **US D973,428 S**
Peng (45) **Date of Patent:** **** *Dec. 27, 2022**

(54) **CUP LID**

D634,972 S 3/2011 Staton
D649,879 S 12/2011 Gullickson et al.
D652,256 S 1/2012 Eyal

(71) Applicant: **Photo U.S.A. Corporation**, Fremont, CA (US)

(Continued)

(72) Inventor: **Steven Peng**, Fremont, CA (US)

OTHER PUBLICATIONS

(73) Assignee: **Photo U.S.A. Corporation**, Fremont, CA (US)

Top Souls Wide Mouth Straw Lids Compatible with Most Sports Water Bottles, 2 Lids 2 Long Straws 2 Brushes in 1 Value Pack https://www.amazon.com/dp/B07Z553D1W/ref=cm_sw_em_r_mt_dp_51FVN1QDTSQPQ8SRJZ36?_encoding=UTF8&psc=1 (Year: 2019).*

(*) Notice: This patent is subject to a terminal disclaimer.

(Continued)

(**) Term: **15 Years**

Primary Examiner — Jae Liang

(21) Appl. No.: **29/755,368**

(74) *Attorney, Agent, or Firm* — Stetina Brunda Garred & Brucker

(22) Filed: **Oct. 20, 2020**

(51) **LOC (13) Cl.** **07-01**

(57) **CLAIM**

(52) **U.S. Cl.**
USPC **D7/392.1; D7/396.2**

The ornamental design for a cup lid, as shown and described.

(58) **Field of Classification Search**

DESCRIPTION

USPC D7/392.1, 396.2, 396.6, 396.3, 213, 510, D7/511, 522, 523, 537, 602; D9/434, D9/435, 436, 440, 449, 454, 746
CPC .. A45F 3/16; B65D 41/56; B65D 3/24; B65D 83/205; A47G 19/2272

FIG. 1 is a perspective view showing a cup lid of the present invention with a straw in an extended position;
FIG. 2 is a top plan view thereof;
FIG. 3 is a bottom plan view thereof;
FIG. 4 is a front view thereof;
FIG. 5 is a rear view thereof;
FIG. 6 is a left side view thereof;
FIG. 7 is a right side view thereof;
FIG. 8 is a perspective view of the cup lid with fixed angled finger ring with the straw in a retracted position;
FIG. 9 is a top plan view thereof;
FIG. 10 is a bottom plan view thereof;
FIG. 11 is a front view thereof;
FIG. 12 is a rear view thereof;
FIG. 13 is a left side view thereof; and,
FIG. 14 is a right side view thereof.
The broken lines in the drawings depict portions of the cup lid that form no part of the claimed design.

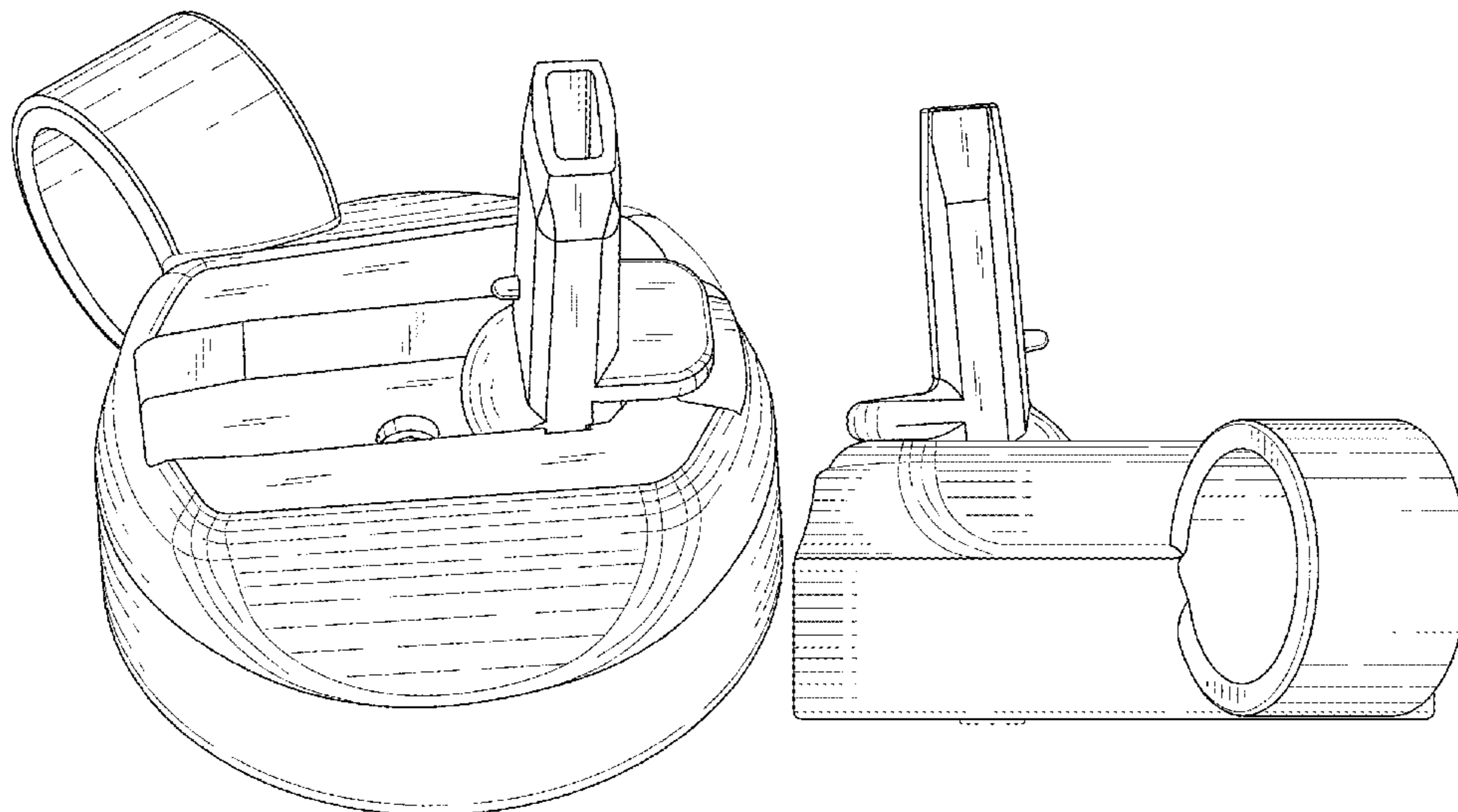
See application file for complete search history.

(56) **References Cited**

U.S. PATENT DOCUMENTS

D351,761 S 10/1994 Feer
D369,943 S 5/1996 Dark
D387,621 S 12/1997 Sullivan et al.
D408,684 S 4/1999 Helm
D497,283 S 10/2004 Groombridge
D505,294 S 5/2005 Gauss
D543,454 S 5/2007 Leoncavallo et al.
D547,607 S 7/2007 Forsman
D614,440 S 4/2010 Cresswell et al.
D632,176 S 2/2011 McKinney et al.
D632,524 S 2/2011 Rosbach et al.
D633,338 S 3/2011 Rosbach et al.

1 Claim, 8 Drawing Sheets



(56)

References Cited

U.S. PATENT DOCUMENTS

D654,793 S 2/2012 Rosbach
 D660,487 S 5/2012 Wu
 D668,116 S 10/2012 Eyal
 D669,354 S 10/2012 Davis et al.
 D669,732 S 10/2012 Hopkins et al.
 D675,525 S 2/2013 Hanai et al.
 D679,541 S 4/2013 Samartgis
 D680,805 S 4/2013 Rosbach
 D682,034 S 5/2013 El-Saden et al.
 D683,581 S 6/2013 Archer
 8,469,226 B2 6/2013 Davies et al.
 D685,606 S 7/2013 Keys et al.
 D688,093 S 8/2013 Roth et al.
 D688,912 S 9/2013 Rosbach
 D693,170 S 11/2013 Rosbach
 D704,986 S 5/2014 Manies
 D715,146 S 10/2014 Holmes
 D719,780 S 12/2014 Sullivan
 D723,333 S * 3/2015 Lin D7/511
 D724,895 S 3/2015 Kawase et al.
 D736,562 S 8/2015 Green et al.
 D736,622 S 8/2015 Nishijima et al.
 D748,430 S 2/2016 Sorensen et al.
 D748,943 S 2/2016 Miller et al.
 D750,428 S 3/2016 Keys et al.
 D755,562 S 5/2016 Lindsay
 D758,127 S 6/2016 Zhao
 D763,622 S 8/2016 Shirley et al.
 D771,990 S 11/2016 Horowitz
 D777,508 S 1/2017 Goodwin et al.
 D779,273 S 2/2017 Lee et al.
 D781,104 S 3/2017 Cerasani
 D781,654 S * 3/2017 Marquard A45F 3/16
 D7/510

D786,012 S 5/2017 Hein et al.
 D799,320 S * 10/2017 Goodwin D7/392.1
 D804,903 S * 12/2017 Mason D7/510
 D806,468 S 1/2018 Goodwin et al.
 D835,938 S * 12/2018 Zou D7/392.1
 D871,144 S * 12/2019 Zhang D7/510
 D885,825 S * 6/2020 Meyers D7/392.1
 D887,775 S * 6/2020 Bo D7/392.1
 D887,776 S * 6/2020 Bo D7/392.1
 D892,556 S * 8/2020 Wang D7/510
 D897,761 S * 10/2020 Zhang D7/392.1
 D911,770 S * 3/2021 Ludolph D7/392.1
 D921,424 S * 6/2021 Chen D7/392.1
 D937,038 S * 11/2021 Sletten D7/392.1
 D938,778 S * 12/2021 Ge D7/392.1
 D940,501 S * 1/2022 Burga D7/392.1
 2007/0039959 A1 2/2007 Choi et al.
 2008/0078200 A1 4/2008 Roth et al.
 2013/0032564 A1 2/2013 Rosbach

OTHER PUBLICATIONS

“CamelBak eddy Insulated .6L Black”; Apr. 11, 2012; [<http://www.amazon.com/CamelBak-eddy-Insulated-6L-Black/dp/B006Z19E1Q/ref-cm-cr-pr-product-top?ie=UTF8>].
 “Klean Kanteen: The Eco-Friendly Personal Hydration Bottle”; Jun. 15, 2011; [<http://www.earthtimes.org/green-blogs/green-living/klean-kanteen-the-eco-friendly-personal-hydration-hottle-05-Jun-11/>].
 “New Wave Enviro Stainless Steel Water Bottle”; Jan. 9, 2006; [<http://www.amazon.com/New-Wave-Enviro-Liter-Blue/dp/B001LNUE4W/ref-cm-cr-pr-product-top?e=UTF8>].
 “Hydroflask 32 oz Wide Mouth w/ Straw Lid”; Aug. 2017; [<https://www.hydroflask.com/32-oz-wide-mouth-w-straw-lid>].

* cited by examiner

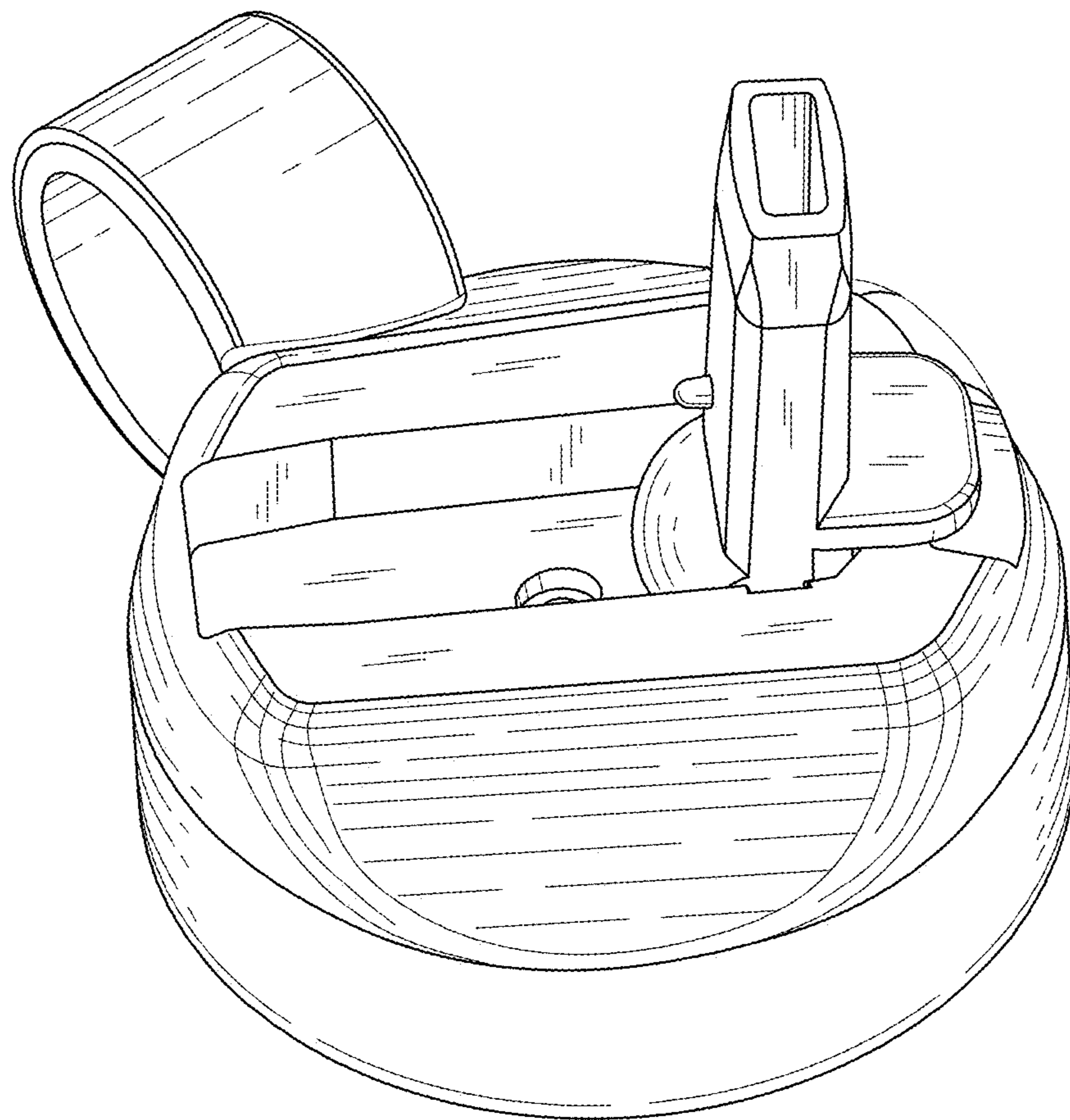


FIG. 1

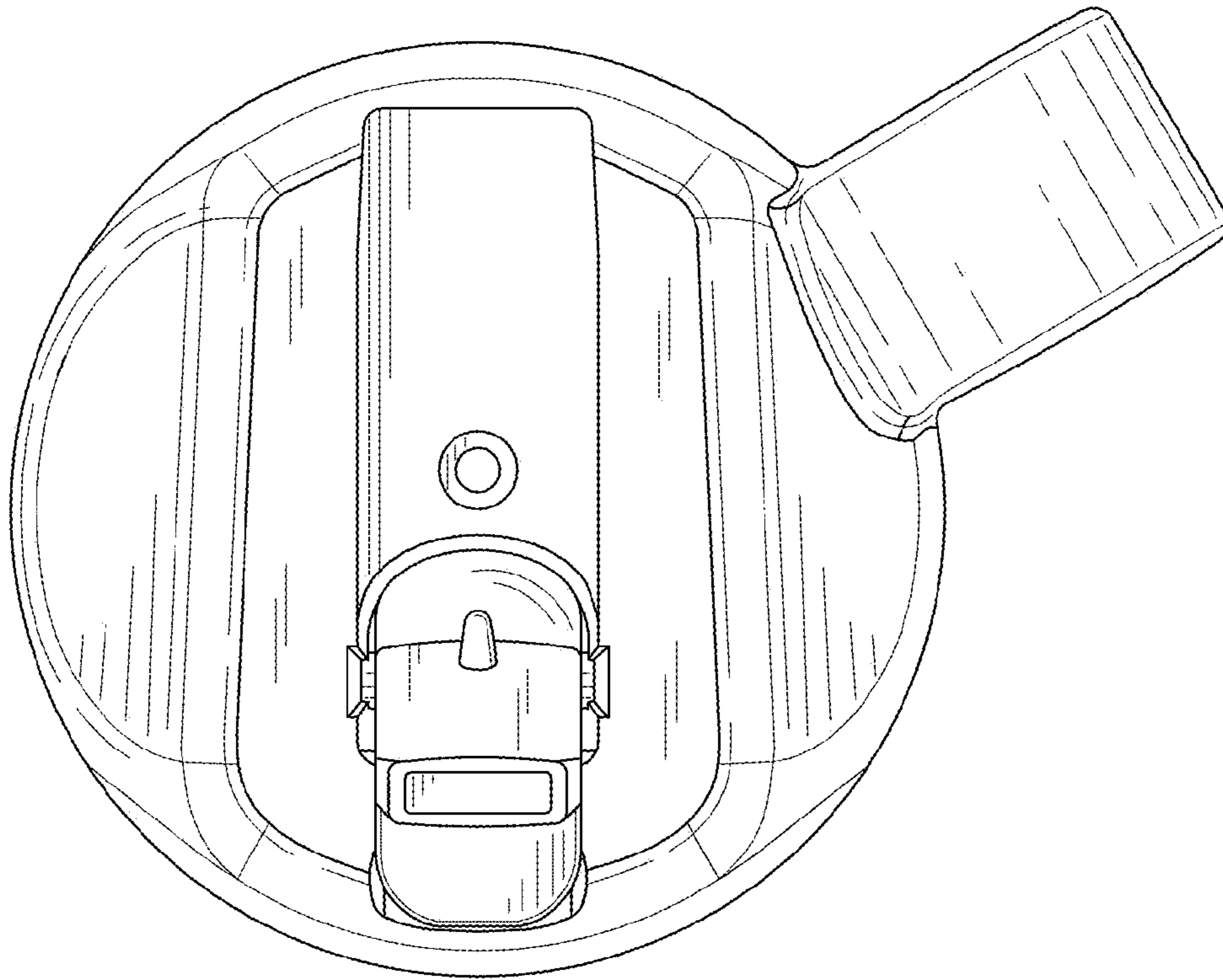


FIG. 2

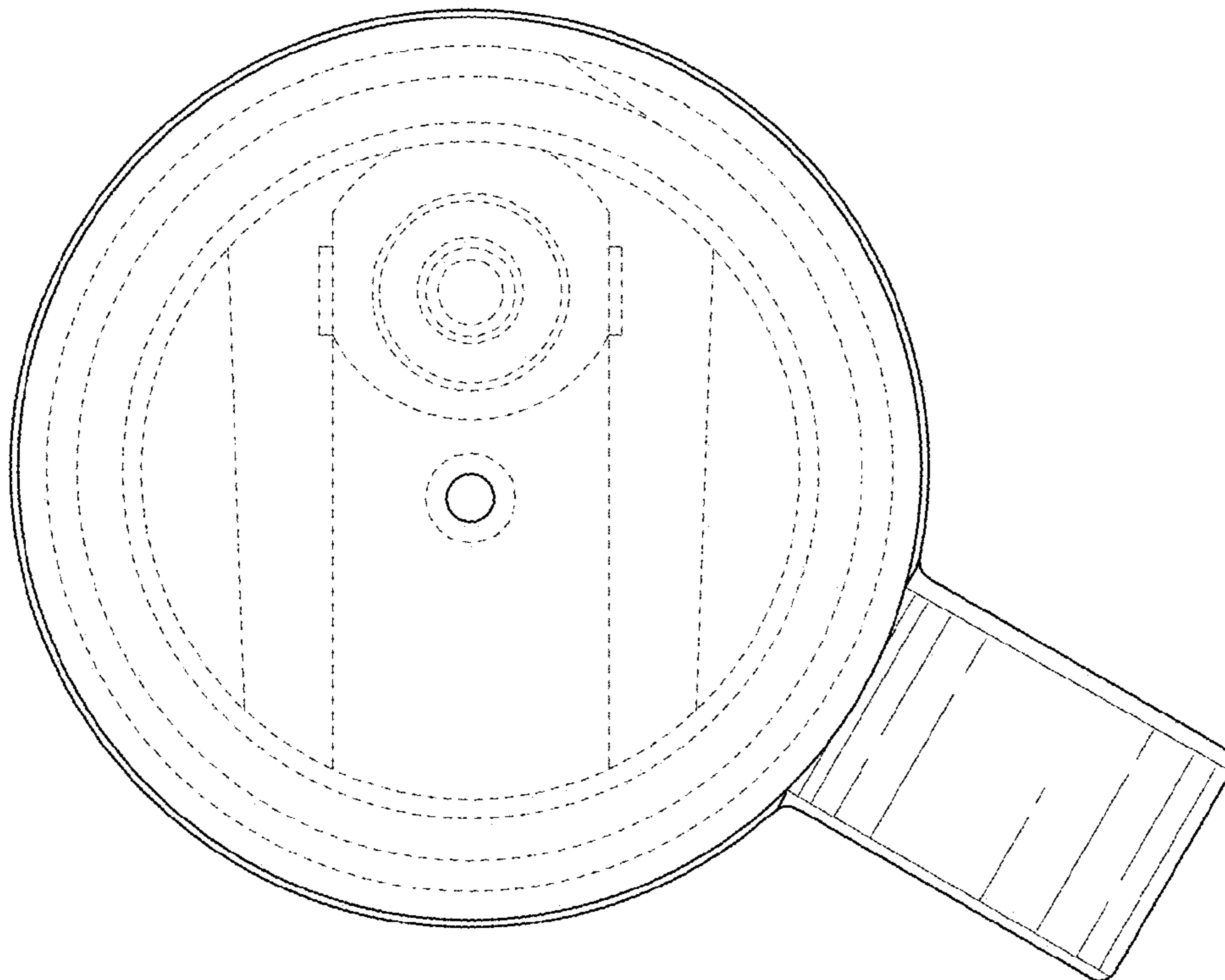


FIG. 3

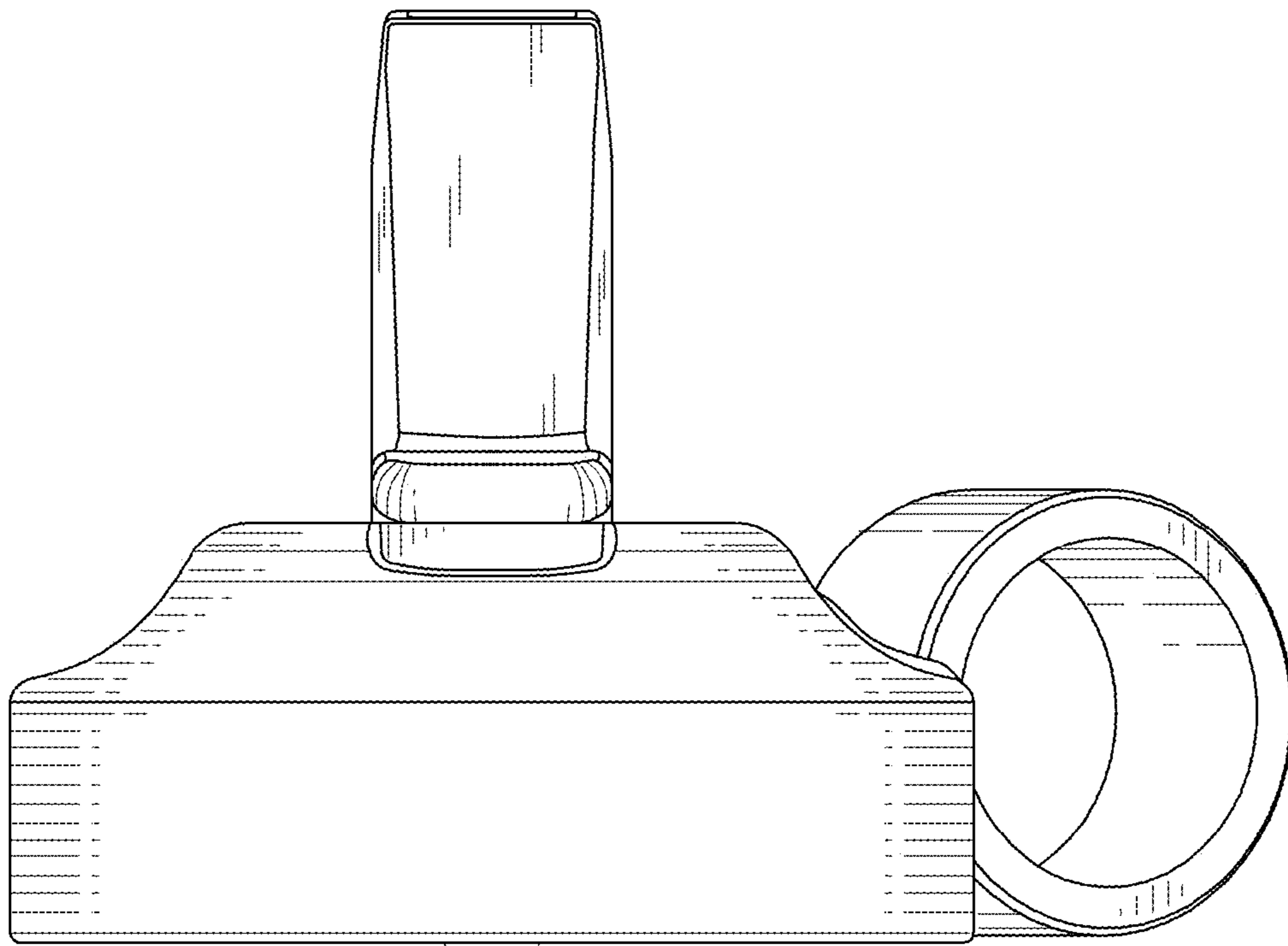


FIG. 4

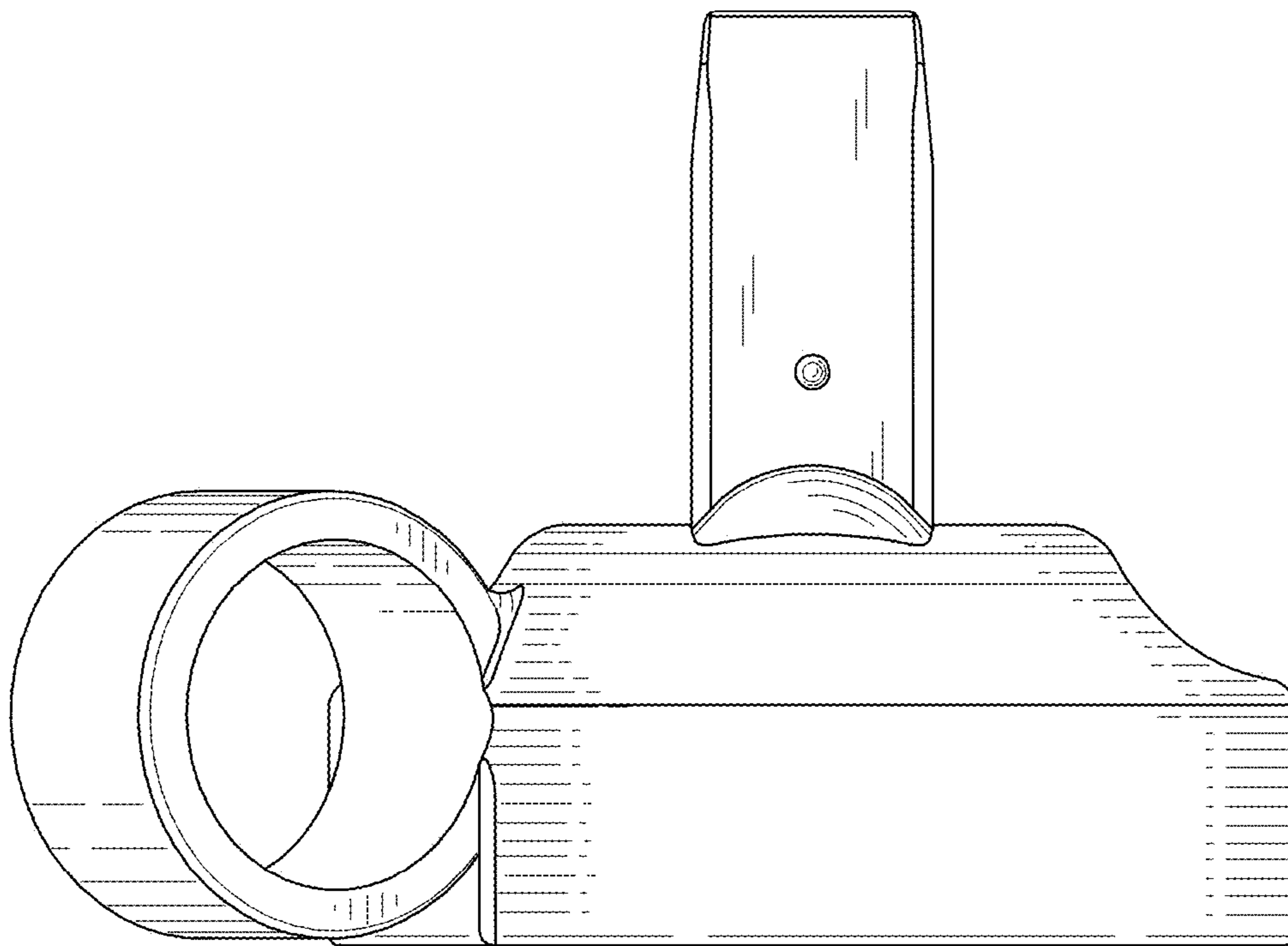


FIG. 5

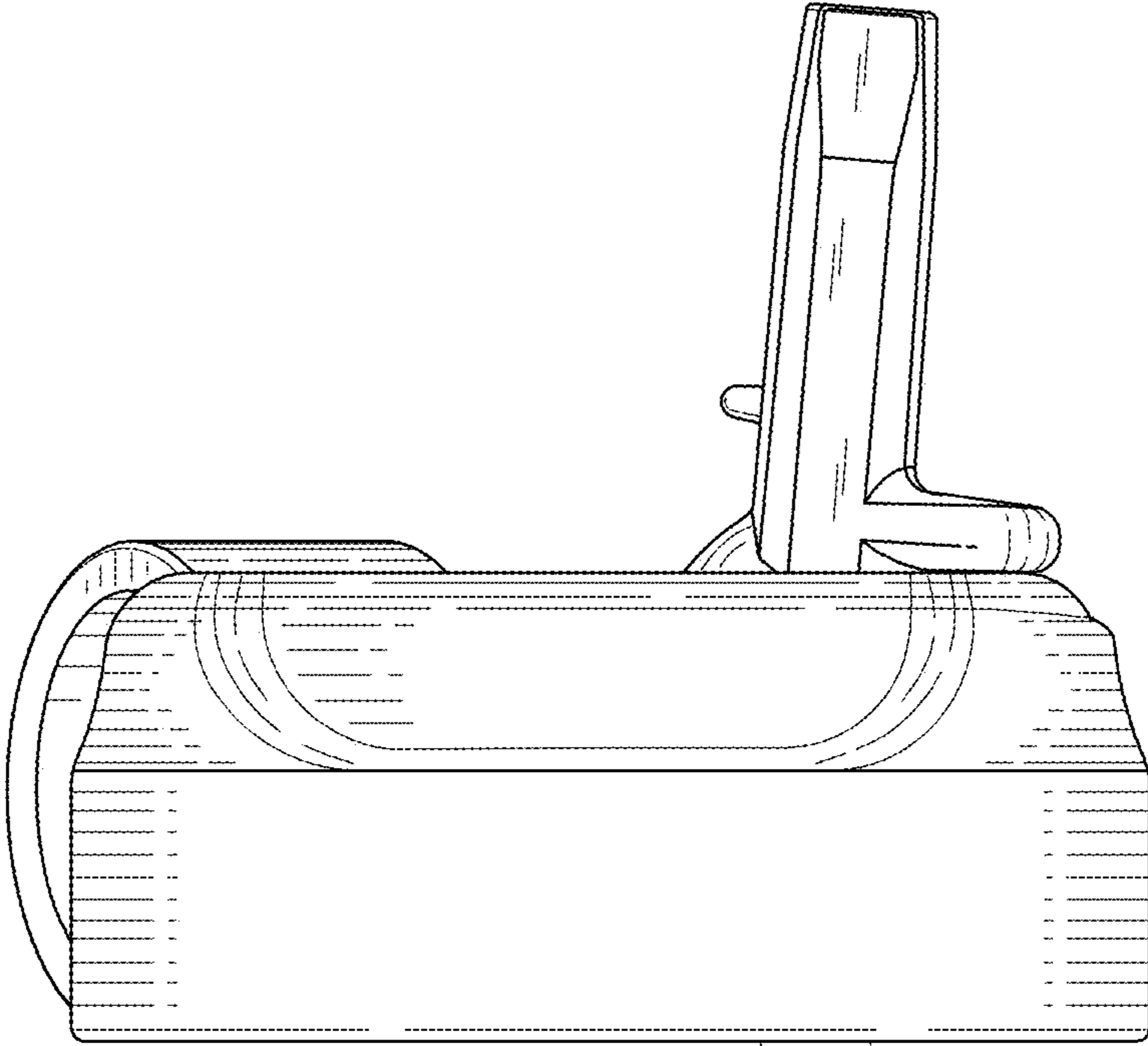


FIG. 6

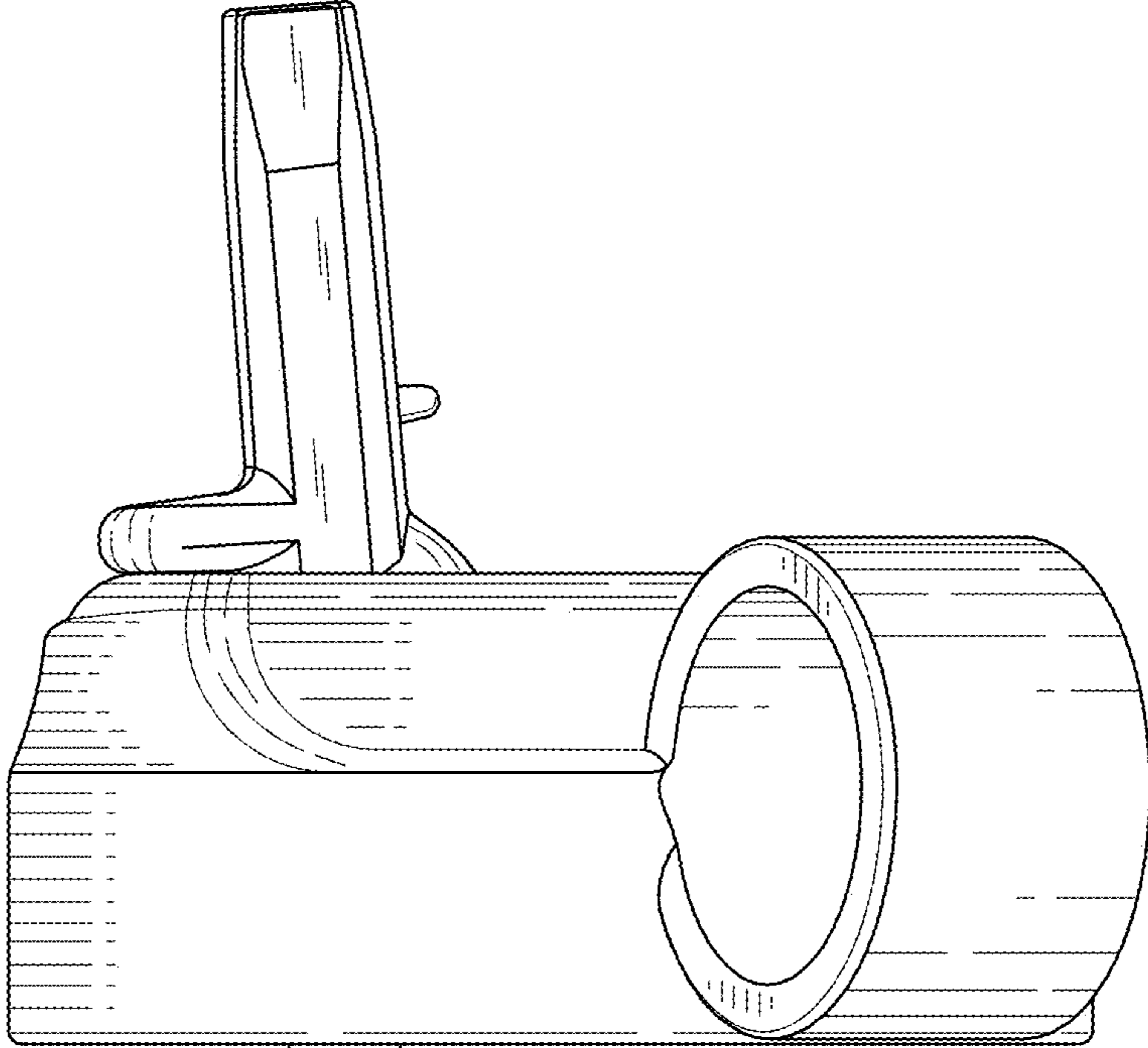


FIG. 7

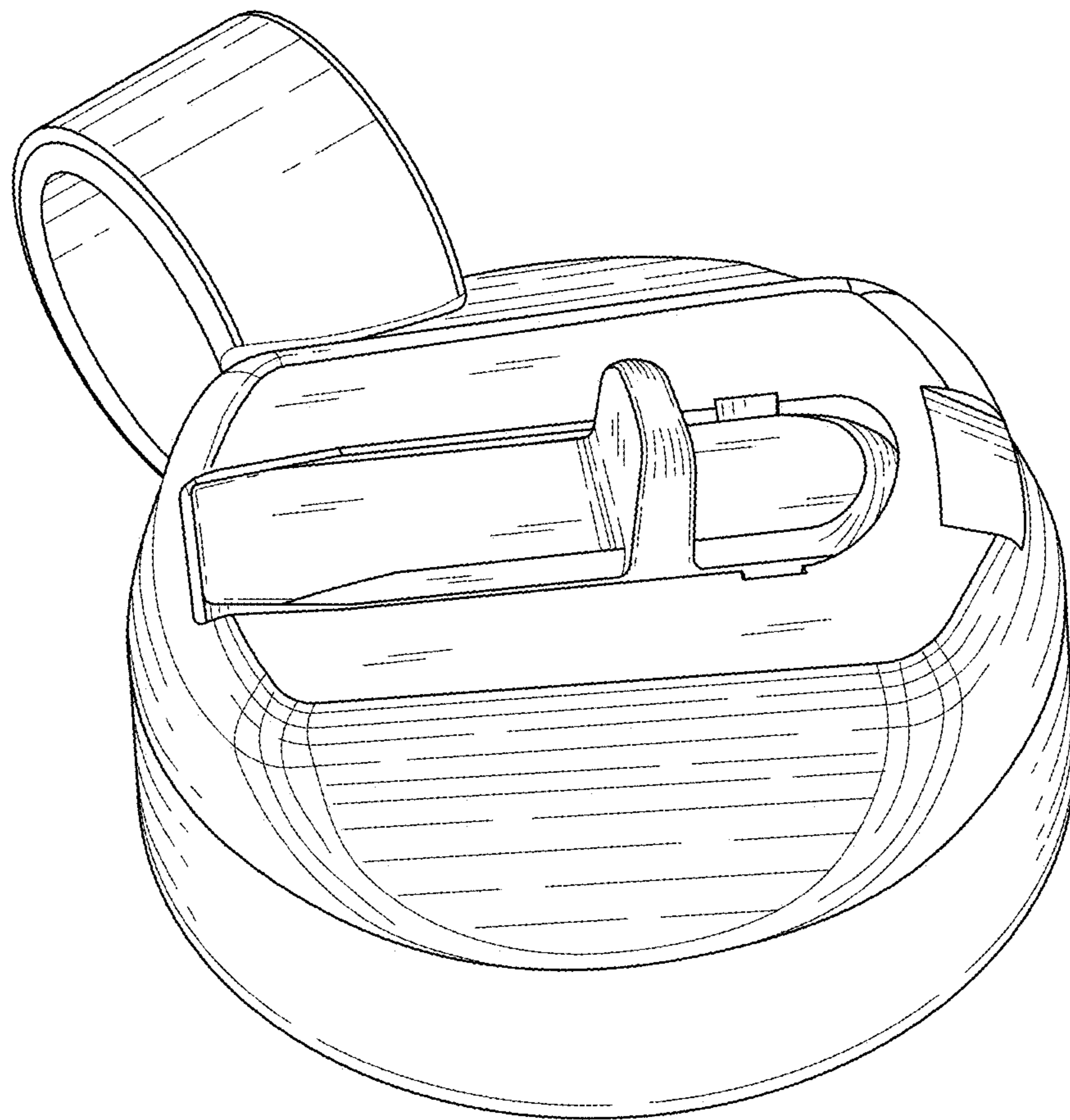


FIG. 8

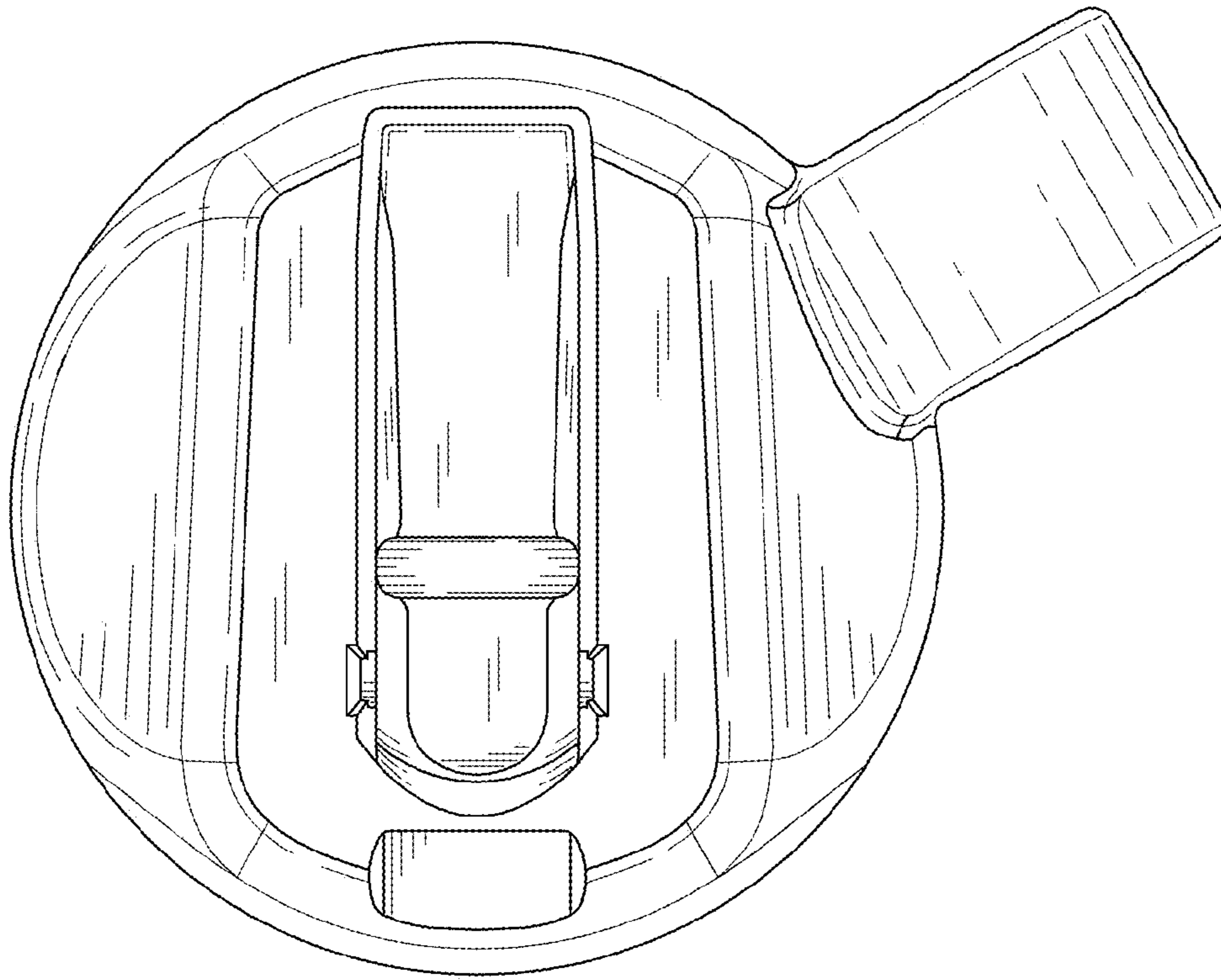


FIG. 9

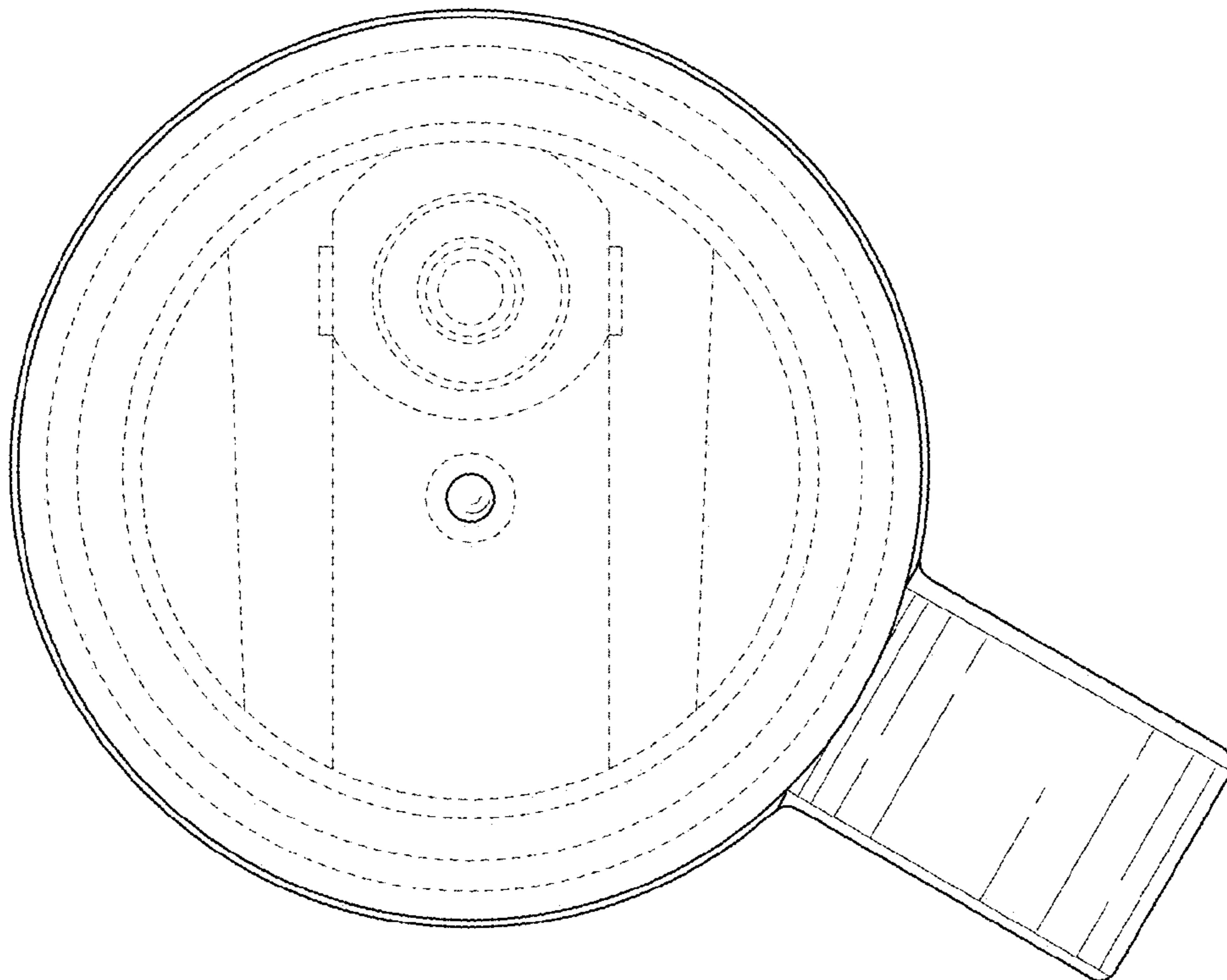


FIG. 10

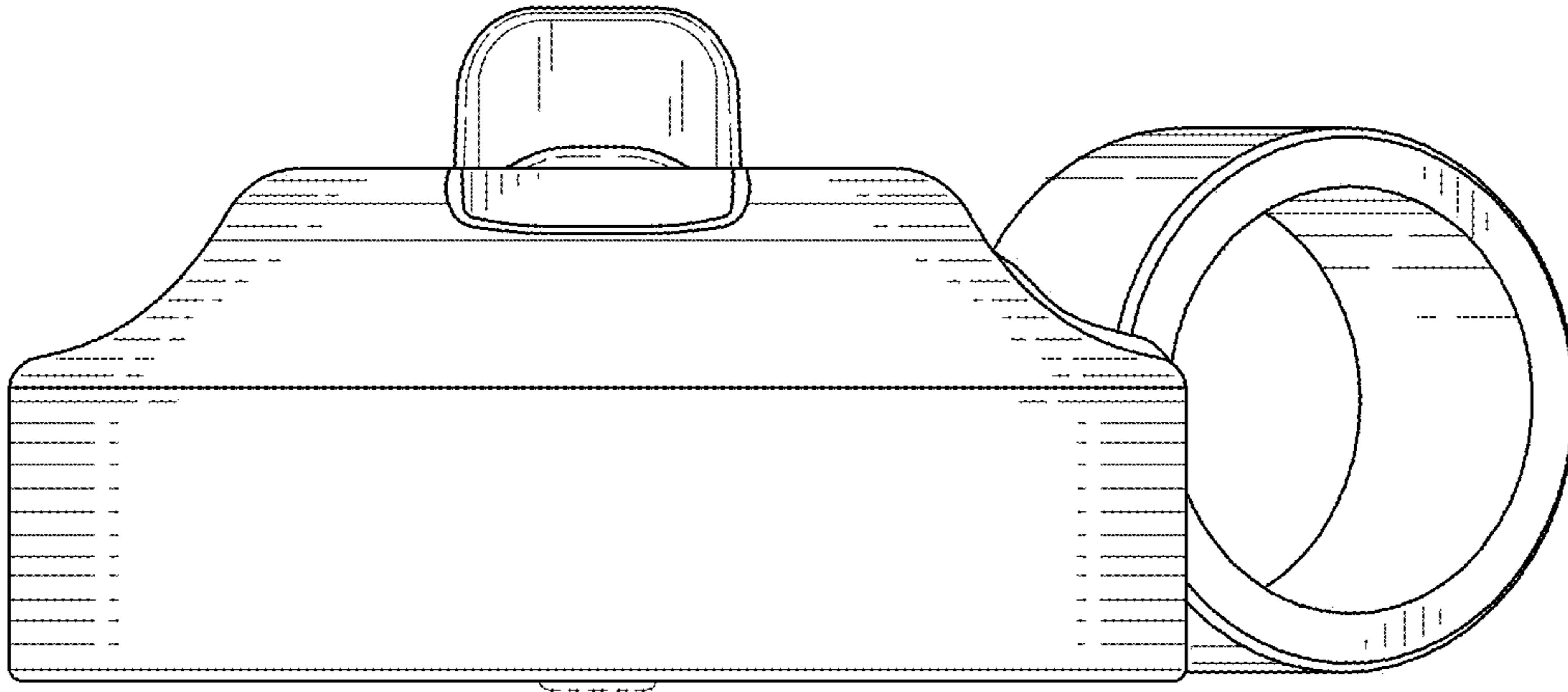


FIG. 11

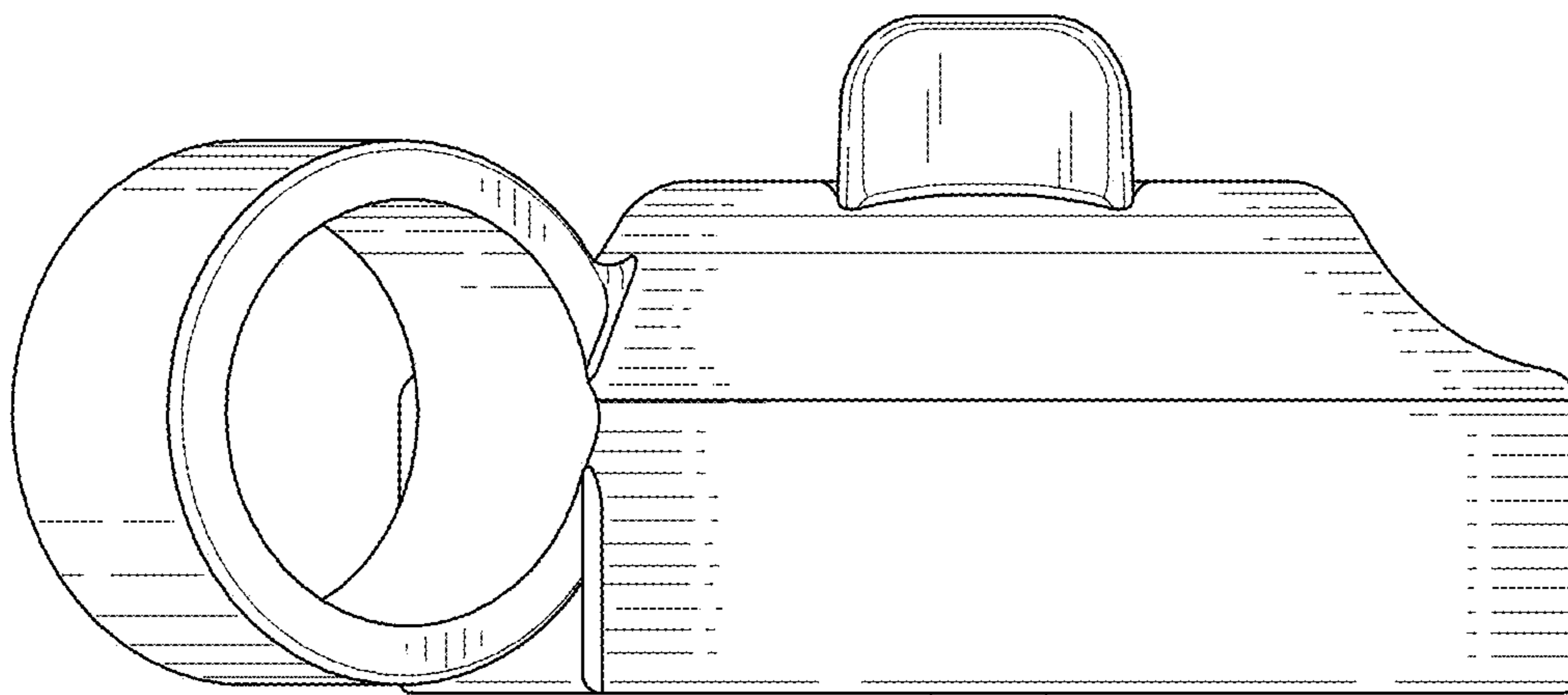


FIG. 12

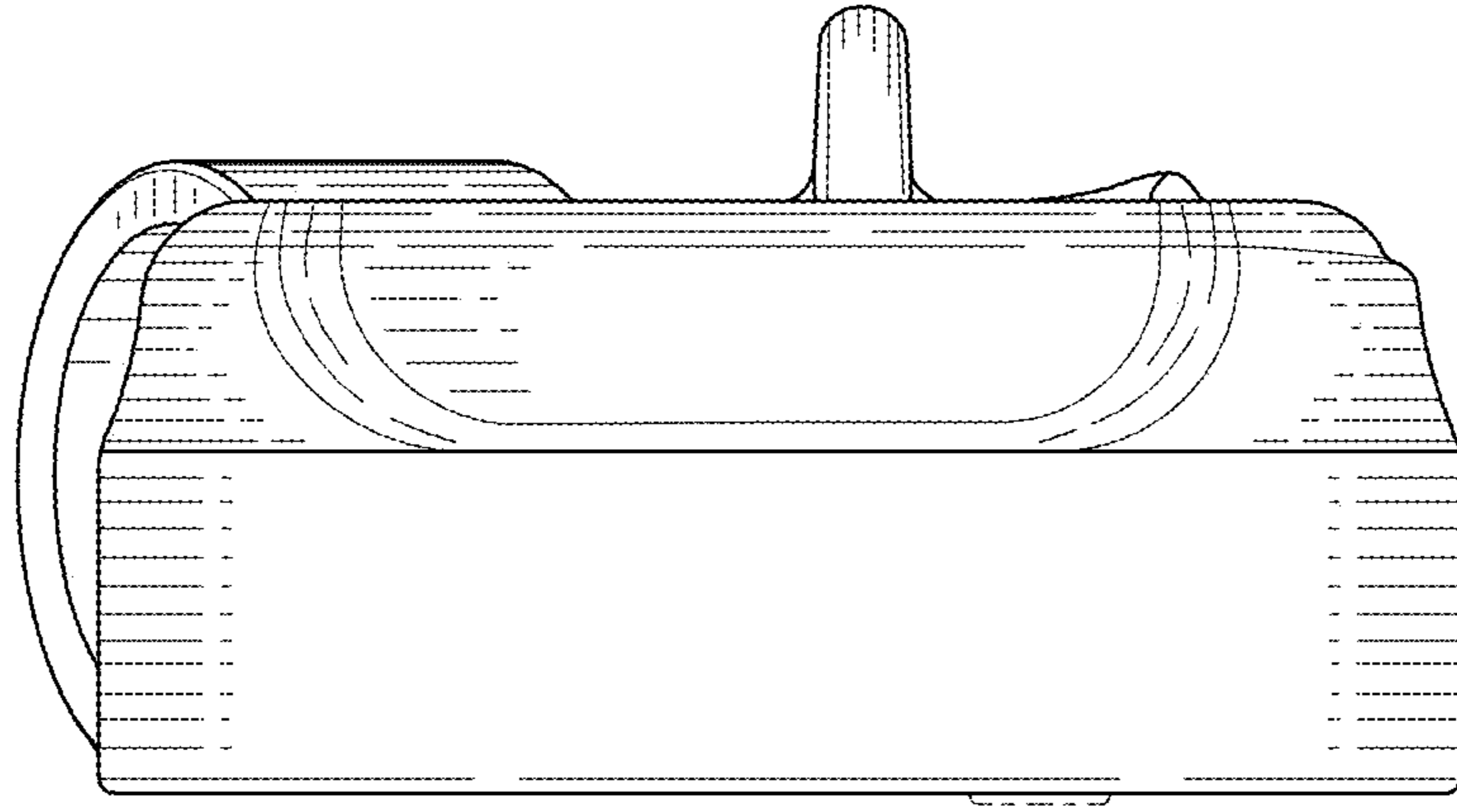


FIG. 13

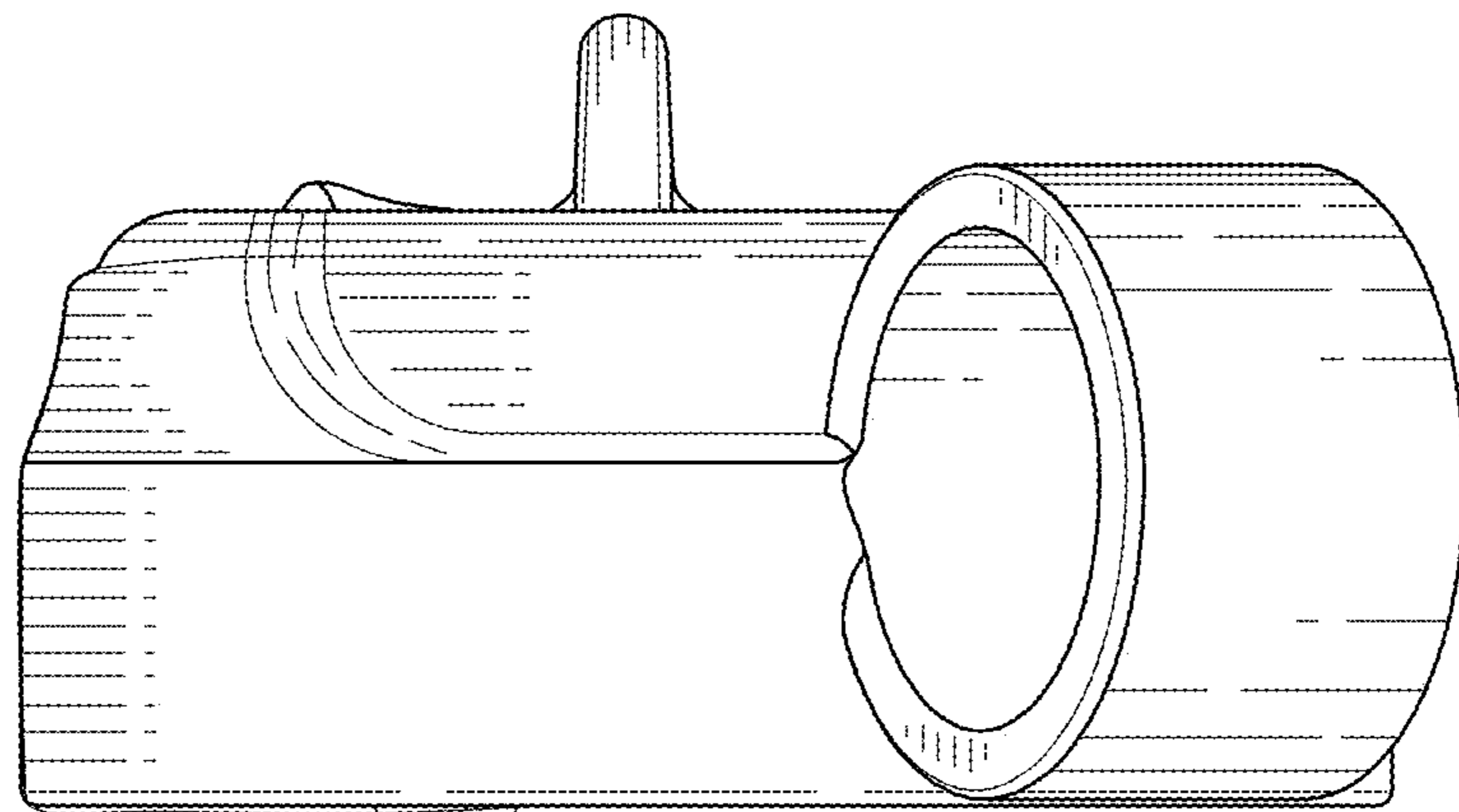


FIG. 14