



US00D973427S

(12) **United States Design Patent**  
**Peng**

(10) **Patent No.:** **US D973,427 S**

(45) **Date of Patent:** **\*\* \*Dec. 27, 2022**

(54) **CUP LID**

D634,972 S 3/2011 Staton  
D649,879 S 12/2011 Gullickson et al.  
D652,256 S 1/2012 Eyal

(Continued)

(71) Applicant: **Photo U.S.A. Corporation**, Fremont, CA (US)

(72) Inventor: **Steven Peng**, Fremont, CA (US)

(73) Assignee: **Photo U.S.A. Corporation**, Fremont, CA (US)

(\*) Notice: This patent is subject to a terminal disclaimer.

(\*\*) Term: **15 Years**

(21) Appl. No.: **29/755,367**

(22) Filed: **Oct. 20, 2020**

(51) **LOC (13) Cl.** ..... **07-01**

(52) **U.S. Cl.**  
USPC ..... **D7/392.1; D7/396.2**

(58) **Field of Classification Search**  
USPC ..... D7/392.1, 396.2, 396.6, 396.3, 213, 510,  
D7/511, 522, 523, 537, 602; D9/434,  
D9/435, 436, 440, 449, 454, 746  
CPC .. A45F 3/16; B65D 41/56; B65D 3/24; B65D  
83/205; A47G 19/2272

See application file for complete search history.

(56) **References Cited**

**U.S. PATENT DOCUMENTS**

D351,761 S	10/1994	Feer
D369,943 S	5/1996	Dark
D387,621 S	12/1997	Sullivan et al.
D408,684 S	4/1999	Helm
D497,283 S	10/2004	Groombridge
D505,294 S	5/2005	Gauss
D543,454 S	5/2007	Leoncavallo et al.
D547,607 S	7/2007	Forsman
D614,440 S	4/2010	Cresswell et al.
D632,176 S	2/2011	McKinney et al.
D632,524 S	2/2011	Rosbach et al.
D633,338 S	3/2011	Rosbach et al.

**OTHER PUBLICATIONS**

Top Souls Wide Mouth Straw Lids Compatible with Most Sports Water Bottles, 2 Lids 2 Long Straws 2 Brushes in 1 Value Pack [https://www.amazon.com/dp/B07Z553D1W/ref=cm\\_sw\\_em\\_r\\_mt\\_dp\\_51FVN1QDTSQPQ8SRJZ36?\\_encoding=UTF8&psc=1](https://www.amazon.com/dp/B07Z553D1W/ref=cm_sw_em_r_mt_dp_51FVN1QDTSQPQ8SRJZ36?_encoding=UTF8&psc=1) (Year: 2019).\*

(Continued)

*Primary Examiner* — Jae Liang

(74) *Attorney, Agent, or Firm* — Stetina Brunda Garred & Brucker

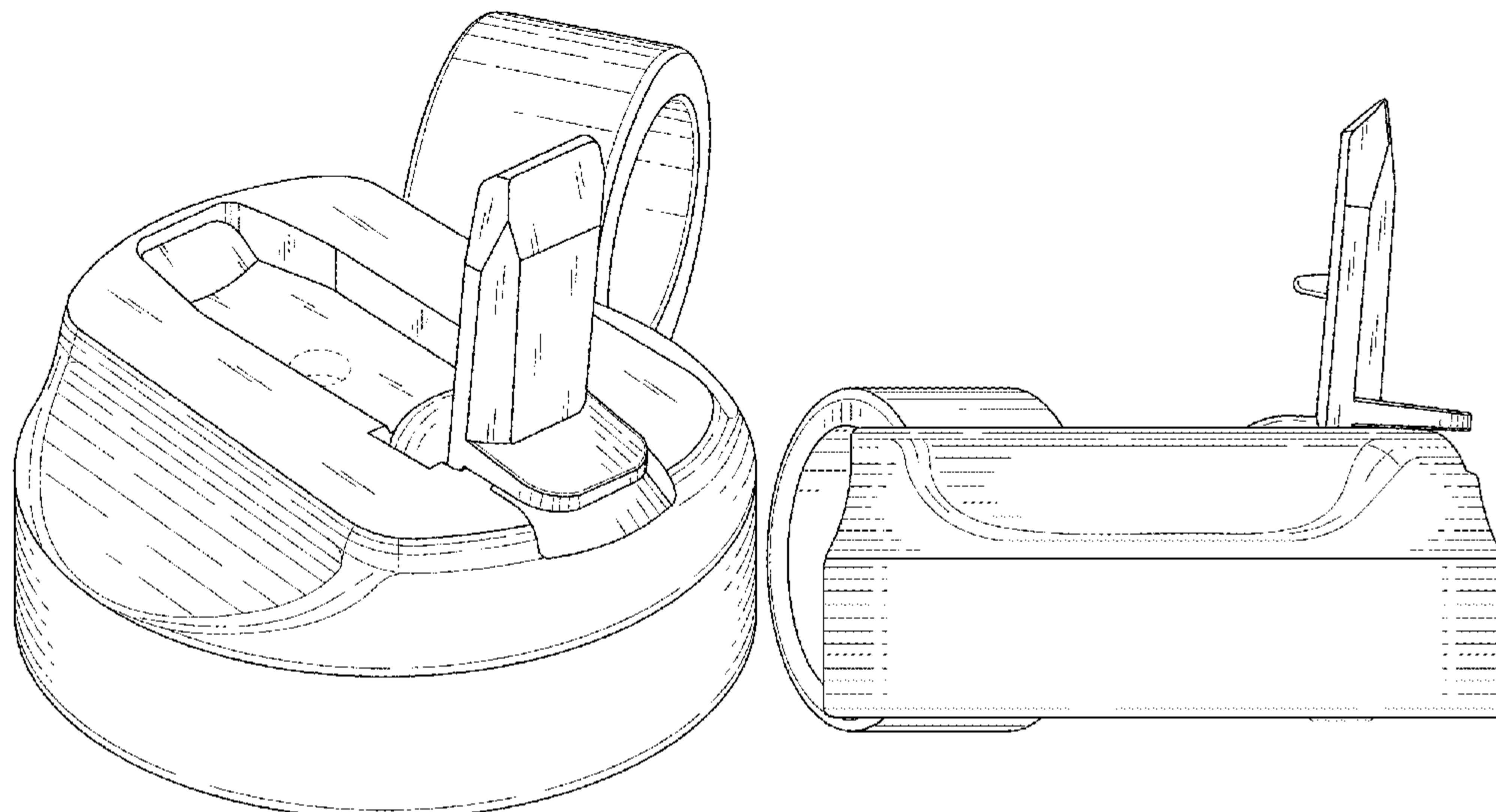
(57) **CLAIM**

The ornamental design for a cup lid, as shown and described.

**DESCRIPTION**

FIG. 1 is a perspective view showing a cup lid with the straw in an extended position showing my new design; FIG. 2 is a top plan view thereof; FIG. 3 is a bottom plan view thereof; FIG. 4 is a front view thereof; FIG. 5 is a rear view thereof; FIG. 6 is a left side view thereof; FIG. 7 is a right side view thereof; FIG. 8 is a perspective view of the cup lid with the straw in a retracted position; FIG. 9 is a top plan view thereof; FIG. 10 is a bottom plan view thereof; FIG. 11 is a front view thereof; FIG. 12 is a rear view thereof; FIG. 13 is a left side view thereof; and, FIG. 14 is a right side view thereof. The broken lines in the drawings depict portions of the cup lid that form no part of the claimed design.

**1 Claim, 8 Drawing Sheets**



(56)

References Cited

U.S. PATENT DOCUMENTS

D654,793 S 2/2012 Rosbach  
 D660,487 S 5/2012 Wu  
 D668,116 S 10/2012 Eyal  
 D669,354 S 10/2012 Davis et al.  
 D669,732 S 10/2012 Hopkins et al.  
 D675,525 S 2/2013 Hanai et al.  
 D679,541 S 4/2013 Samartgis  
 D680,805 S 4/2013 Rosbach  
 D682,034 S 5/2013 El-Saden et al.  
 D683,581 S 6/2013 Archer  
 8,469,226 B2 6/2013 Davies et al.  
 D685,606 S 7/2013 Keys et al.  
 D688,093 S 8/2013 Roth et al.  
 D688,912 S 9/2013 Rosbach  
 D693,170 S 11/2013 Rosbach  
 D704,986 S 5/2014 Manies  
 D715,146 S 10/2014 Holmes  
 D719,780 S 12/2014 Sullivan  
 D723,333 S \* 3/2015 Lin ..... D7/511  
 D724,895 S 3/2015 Kawase et al.  
 D736,562 S 8/2015 Green et al.  
 D736,622 S 8/2015 Nishijima et al.  
 D748,430 S 2/2016 Sorensen et al.  
 D748,943 S 2/2016 Miller et al.  
 D750,428 S 3/2016 Keys et al.  
 D755,562 S 5/2016 Lindsay  
 D758,127 S 6/2016 Zhao  
 D763,622 S 8/2016 Shirley et al.  
 D771,990 S 11/2016 Horowitz  
 D777,508 S 1/2017 Goodwin et al.  
 D779,273 S 2/2017 Lee et al.  
 D781,104 S 3/2017 Cerasani  
 D781,654 S \* 3/2017 Marquard ..... A45F 3/16  
 D7/510

D786,012 S 5/2017 Hein et al.  
 D799,320 S \* 10/2017 Goodwin ..... D7/392.1  
 D804,903 S \* 12/2017 Mason ..... D7/510  
 D806,468 S 1/2018 Goodwin et al.  
 D835,938 S \* 12/2018 Zou ..... D7/392.1  
 D871,144 S \* 12/2019 Zhang ..... D7/510  
 D885,825 S \* 6/2020 Meyers ..... D7/392.1  
 D887,775 S \* 6/2020 Bo ..... D7/392.1  
 D887,776 S \* 6/2020 Bo ..... D7/392.1  
 D892,556 S \* 8/2020 Wang ..... D7/510  
 D897,761 S \* 10/2020 Zhang ..... D7/392.1  
 D911,770 S \* 3/2021 Ludolph ..... D7/392.1  
 D921,424 S \* 6/2021 Chen ..... D7/392.1  
 D937,038 S \* 11/2021 Sletten ..... D7/392.1  
 D938,778 S \* 12/2021 Ge ..... D7/392.1  
 D940,501 S \* 1/2022 Burga ..... D7/392.1  
 2007/0039959 A1 2/2007 Choi et al.  
 2008/0078200 A1 4/2008 Roth et al.  
 2013/0032564 A1 2/2013 Rosbach

OTHER PUBLICATIONS

“CamelBak eddy Insulated .6L Black”; Apr. 11, 2012; [<http://www.amazon.com/CamelBak-eddy-Insulated-6L-Black/dp/B006ZT9E1Q/ref=cm—cr—pr—product—top?ie=UTF8>].  
 “Klean Kanteen: The Eco-Friendly Personal Hydration Bottle”; Jun. 15, 2011; [<http://www.earthtimes.org/green-blogs/green-living/klean-kanteen-the-eco-friendly-personal-hydration-hottle-05-Jun-11/>].  
 “NewWave Enviro Stainless Steel Water Bottle”; Jan. 9, 2006; [<http://www.amazon.com/New-Wave-Enviro-Liter-Blue/dp/B001LNUE4W/ref=cm—cr—pr—product—top?e=UTF8>].  
 “Hydroflask 32 oz Wide Mouth w/ Straw Lid”; Aug. 2017; [<https://www.hydroflask.com/32-oz-wide-mouth-w-straw-lid>].

\* cited by examiner

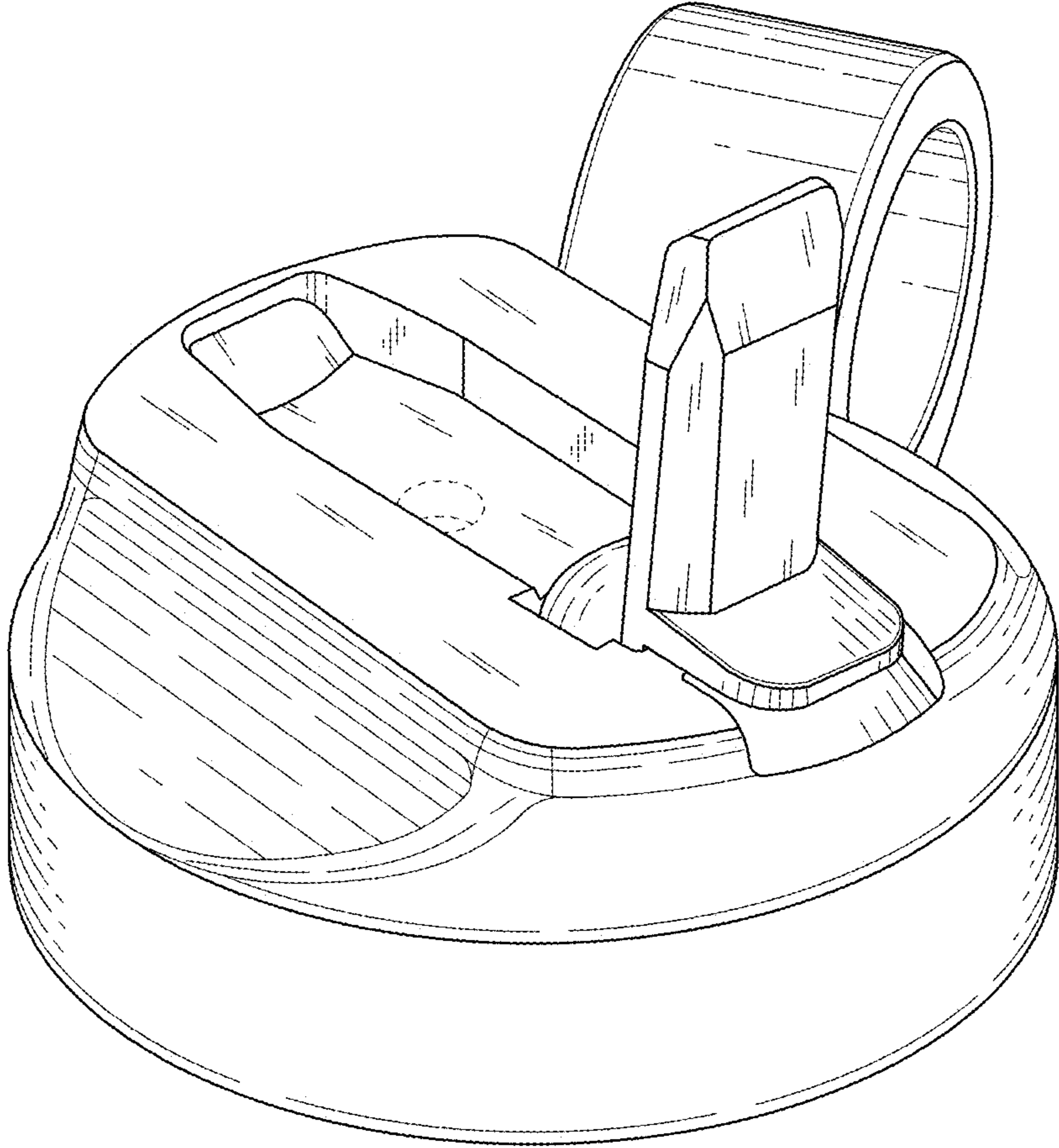
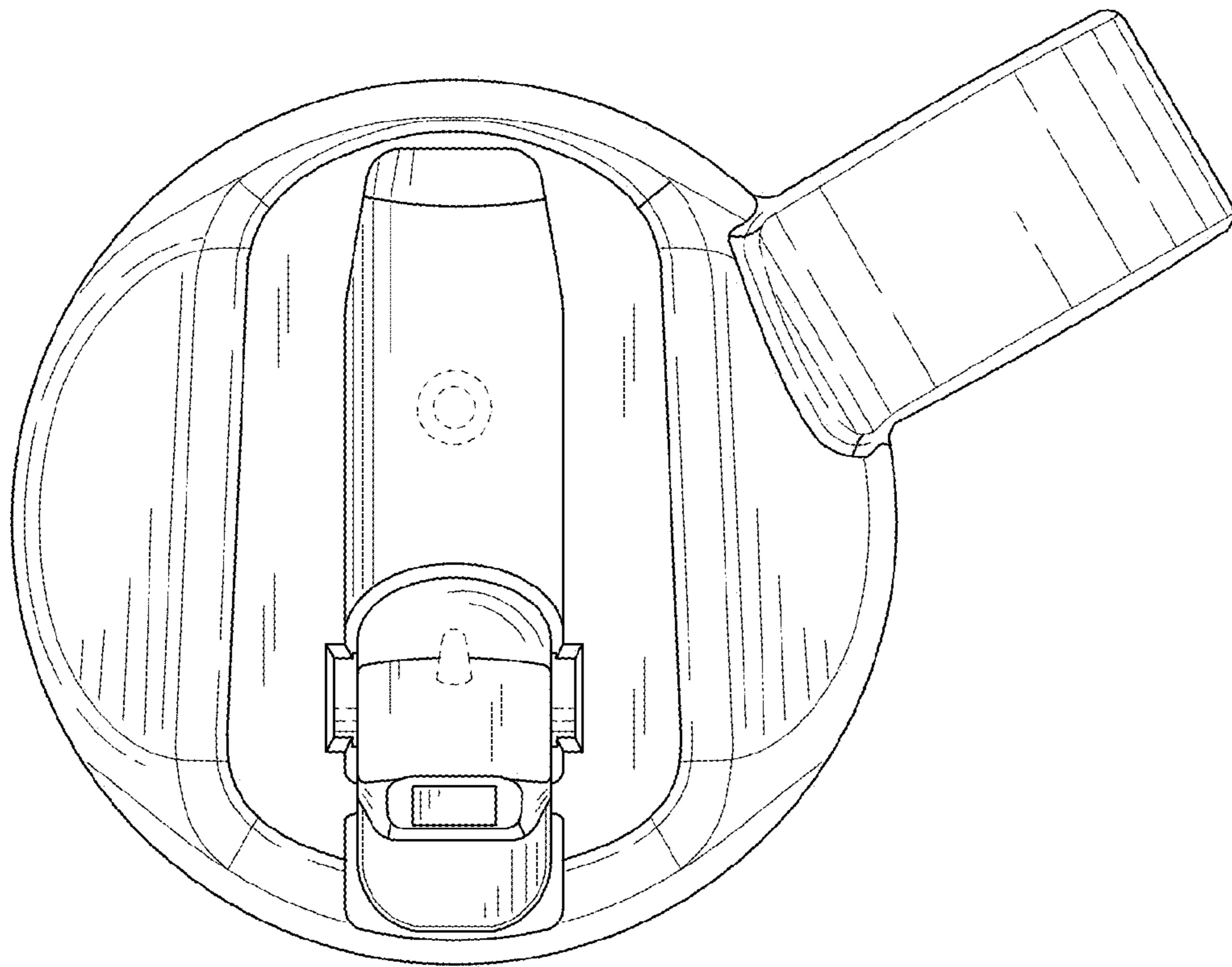
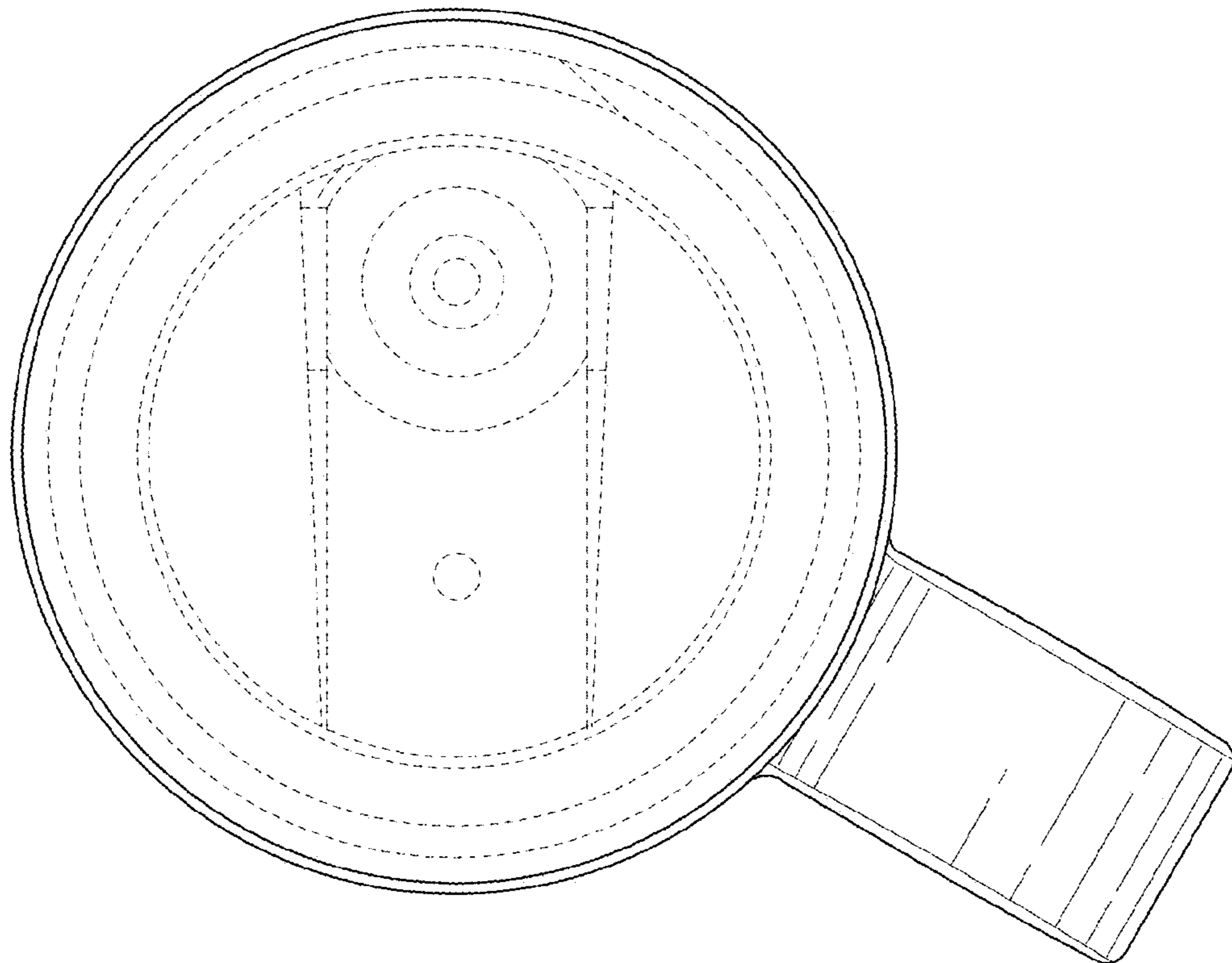


FIG. 1

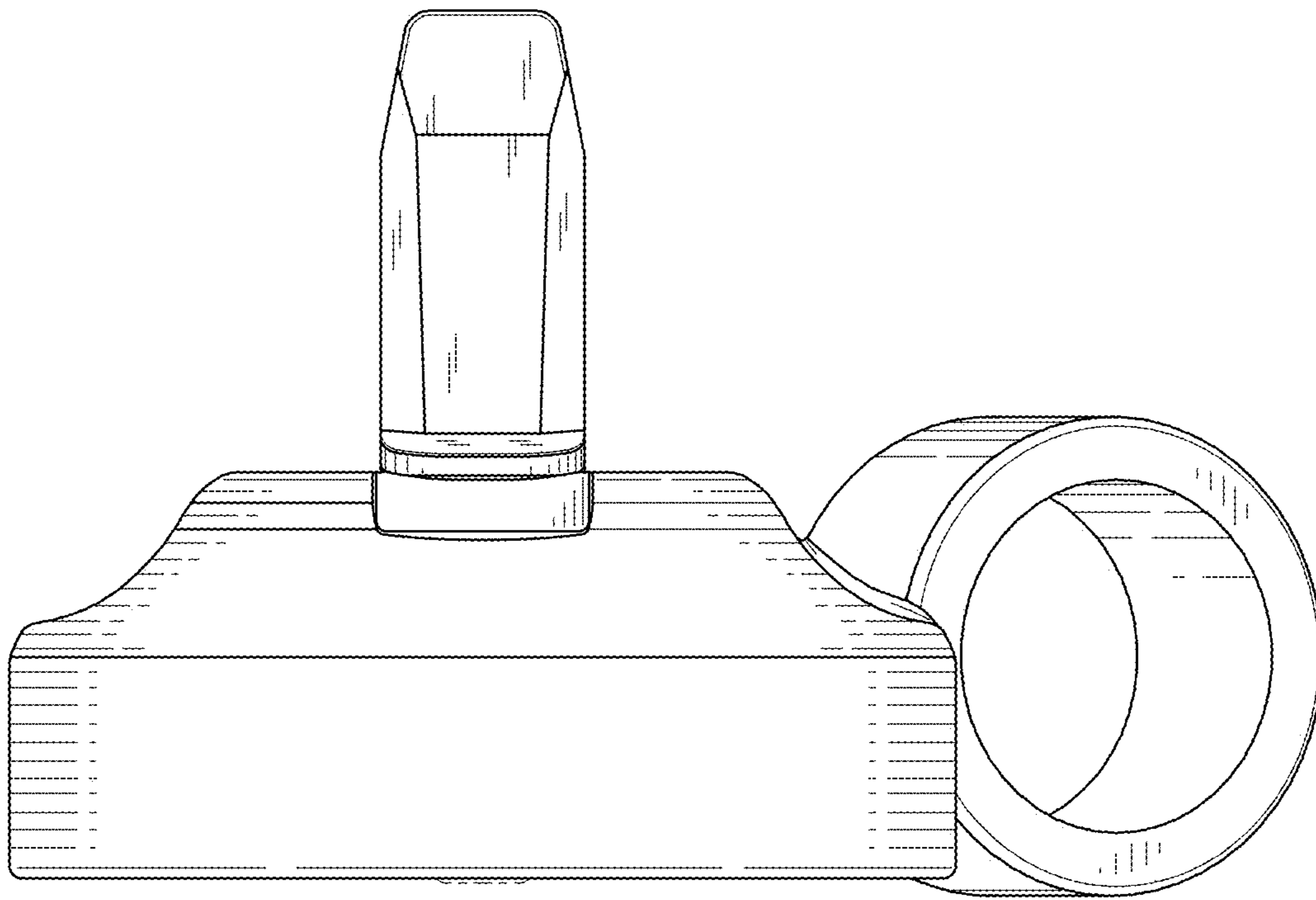




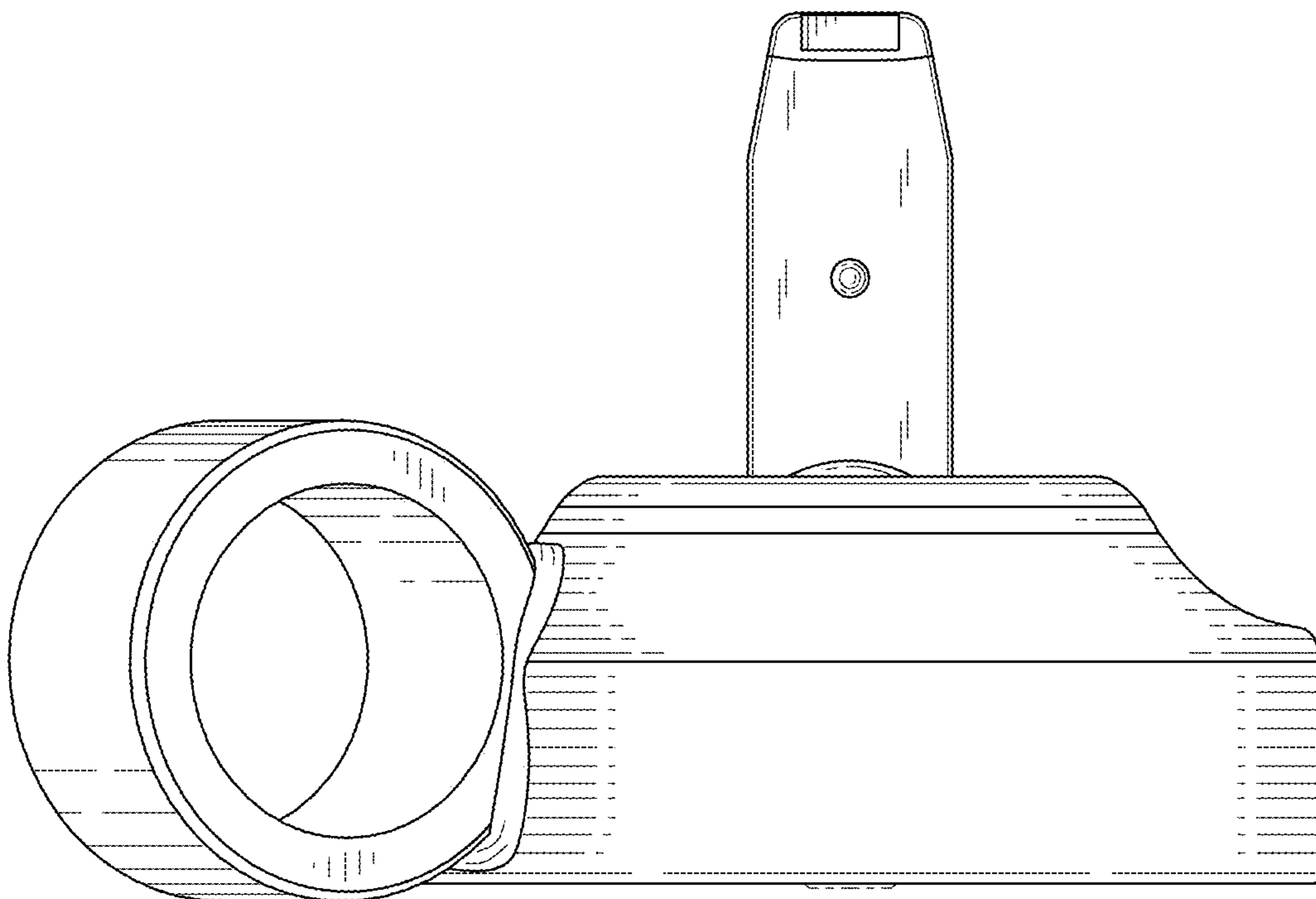
**FIG. 2**



**FIG. 3**



**FIG. 4**



**FIG. 5**

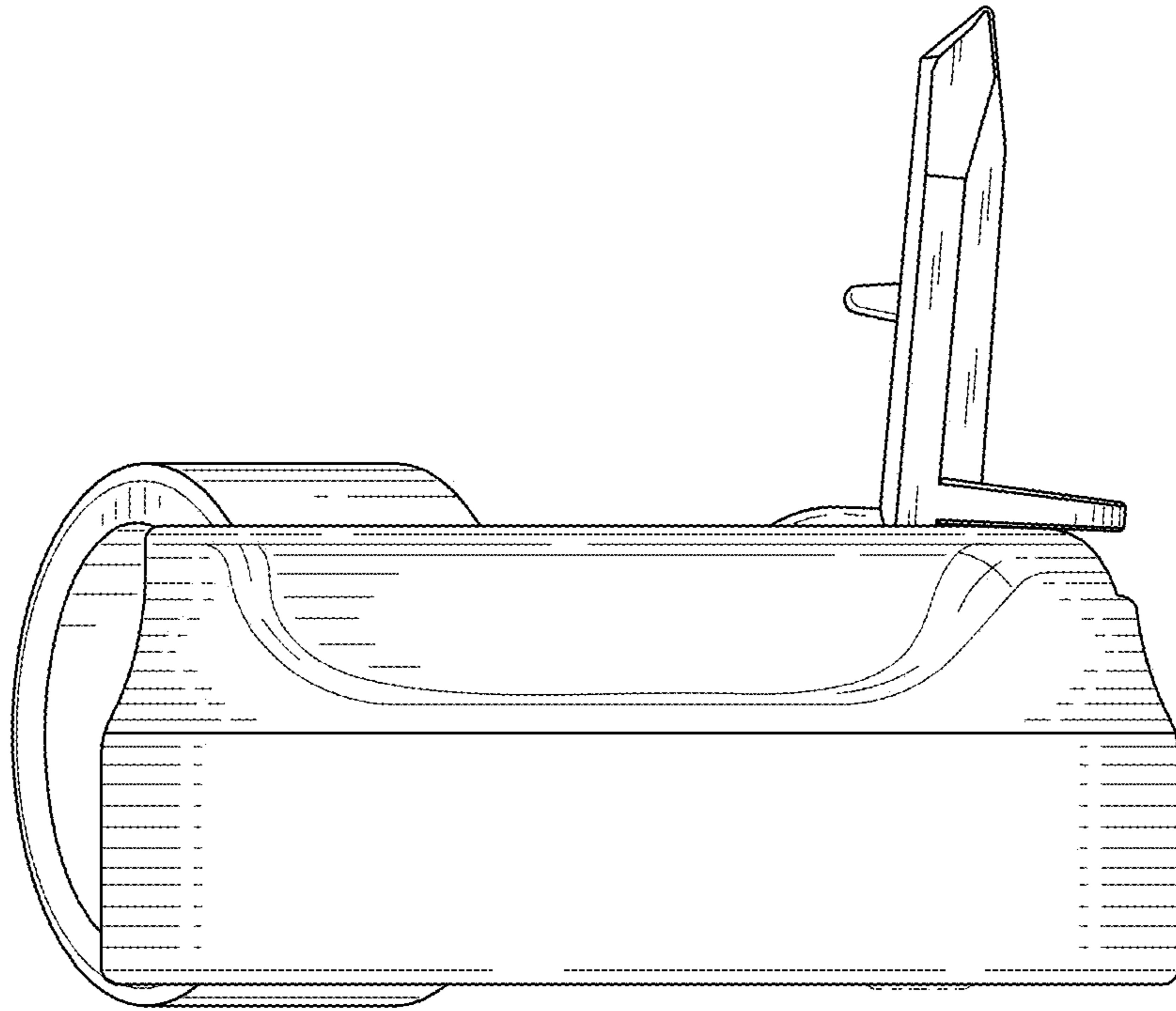


FIG. 6

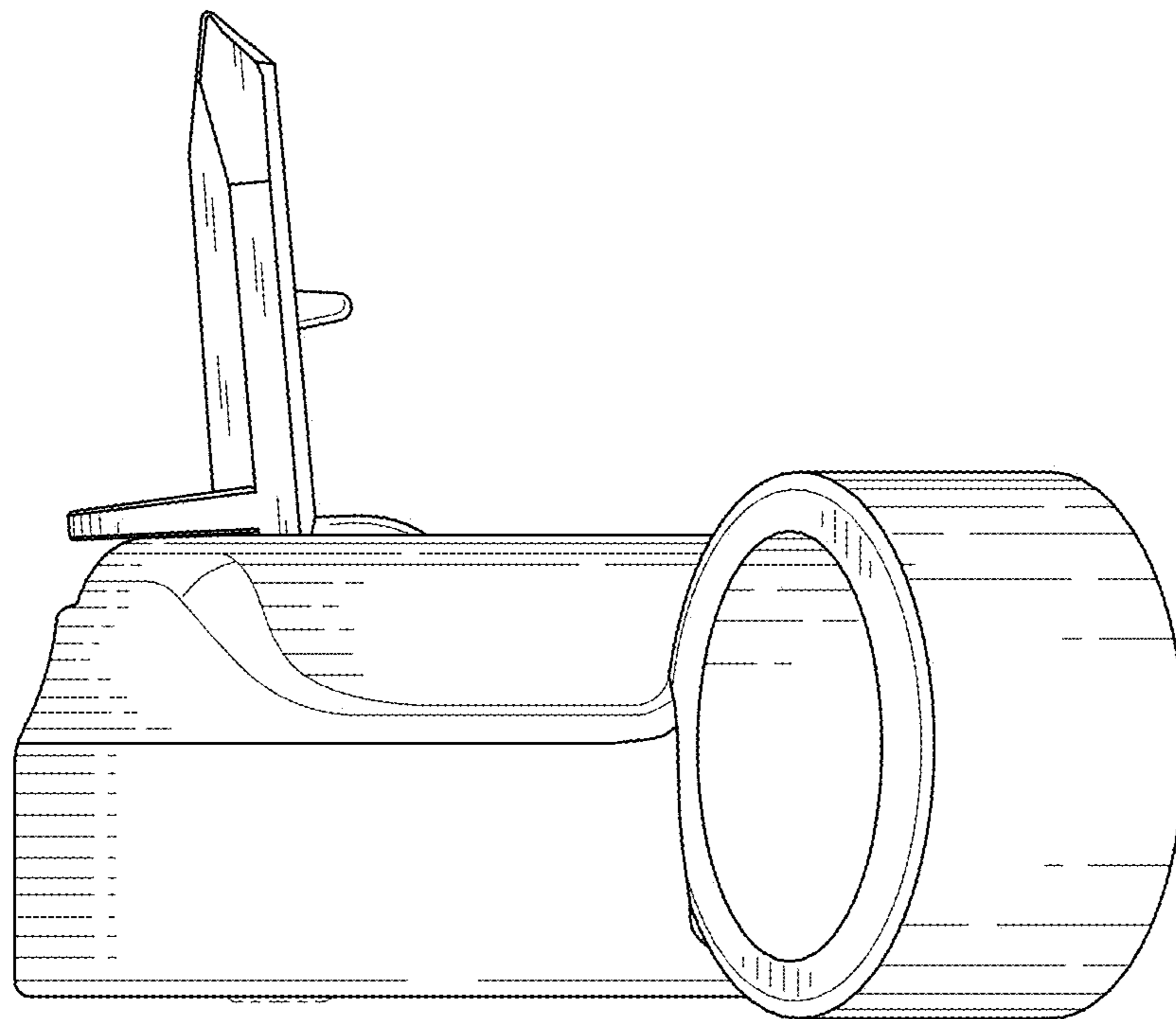
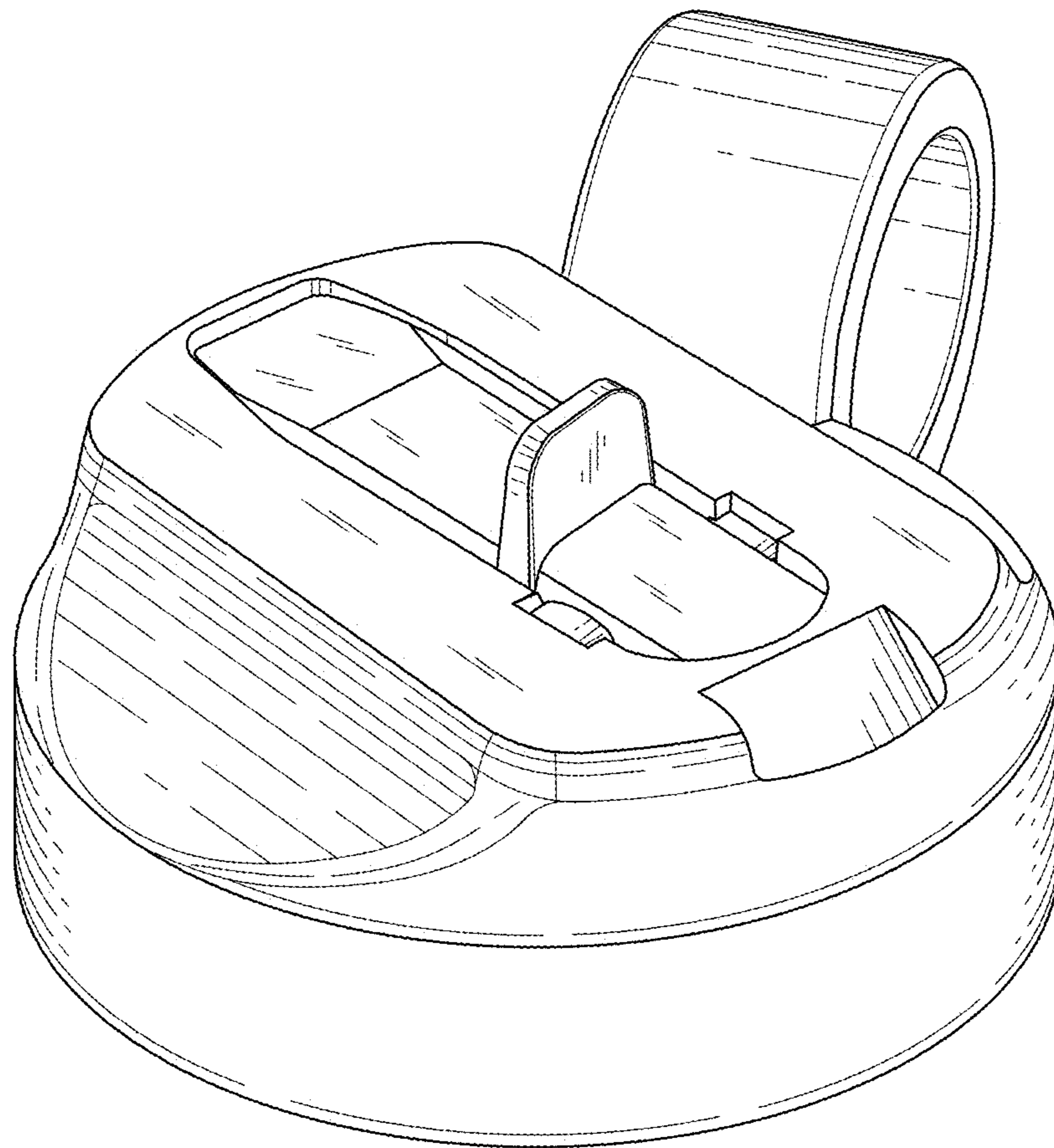
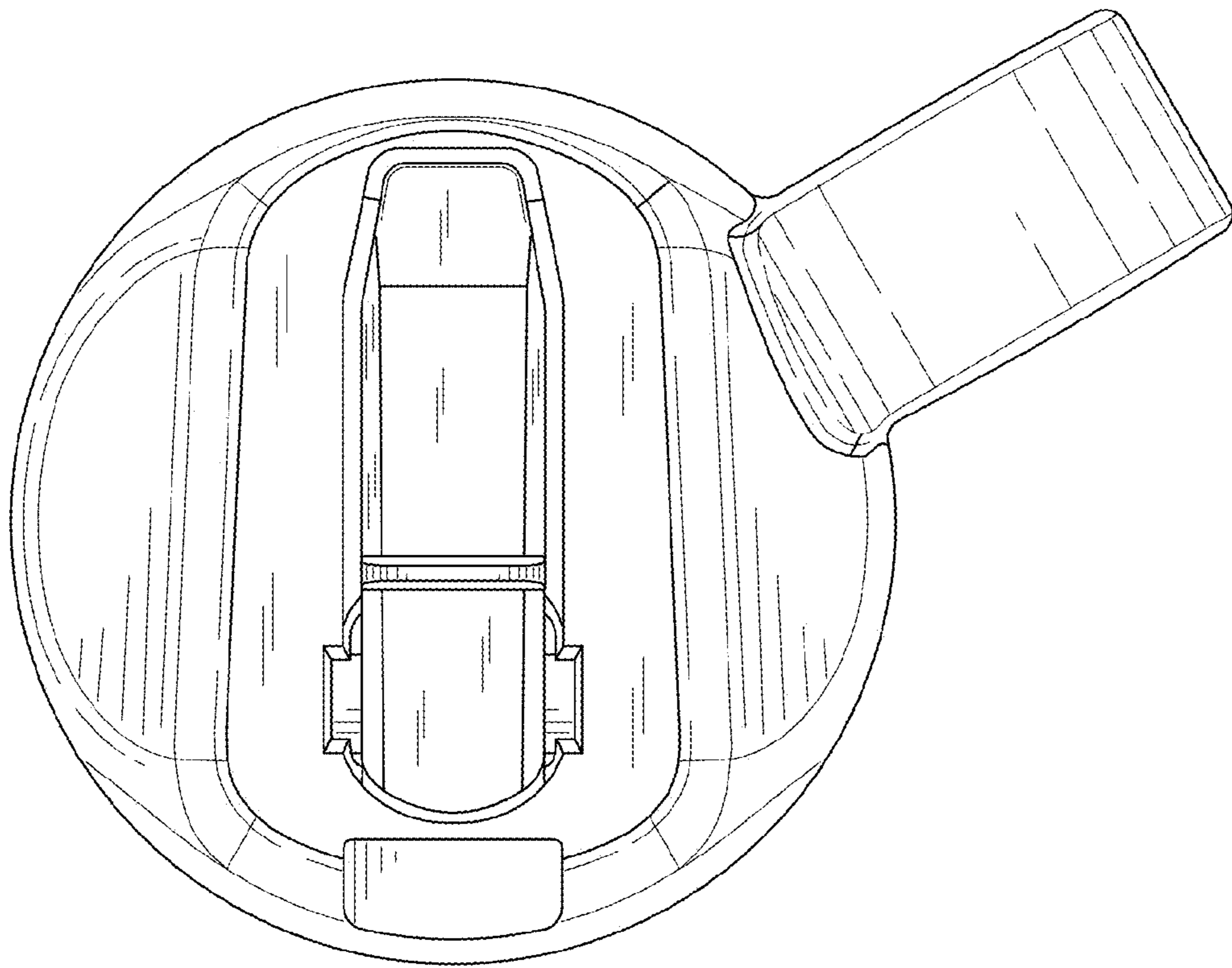


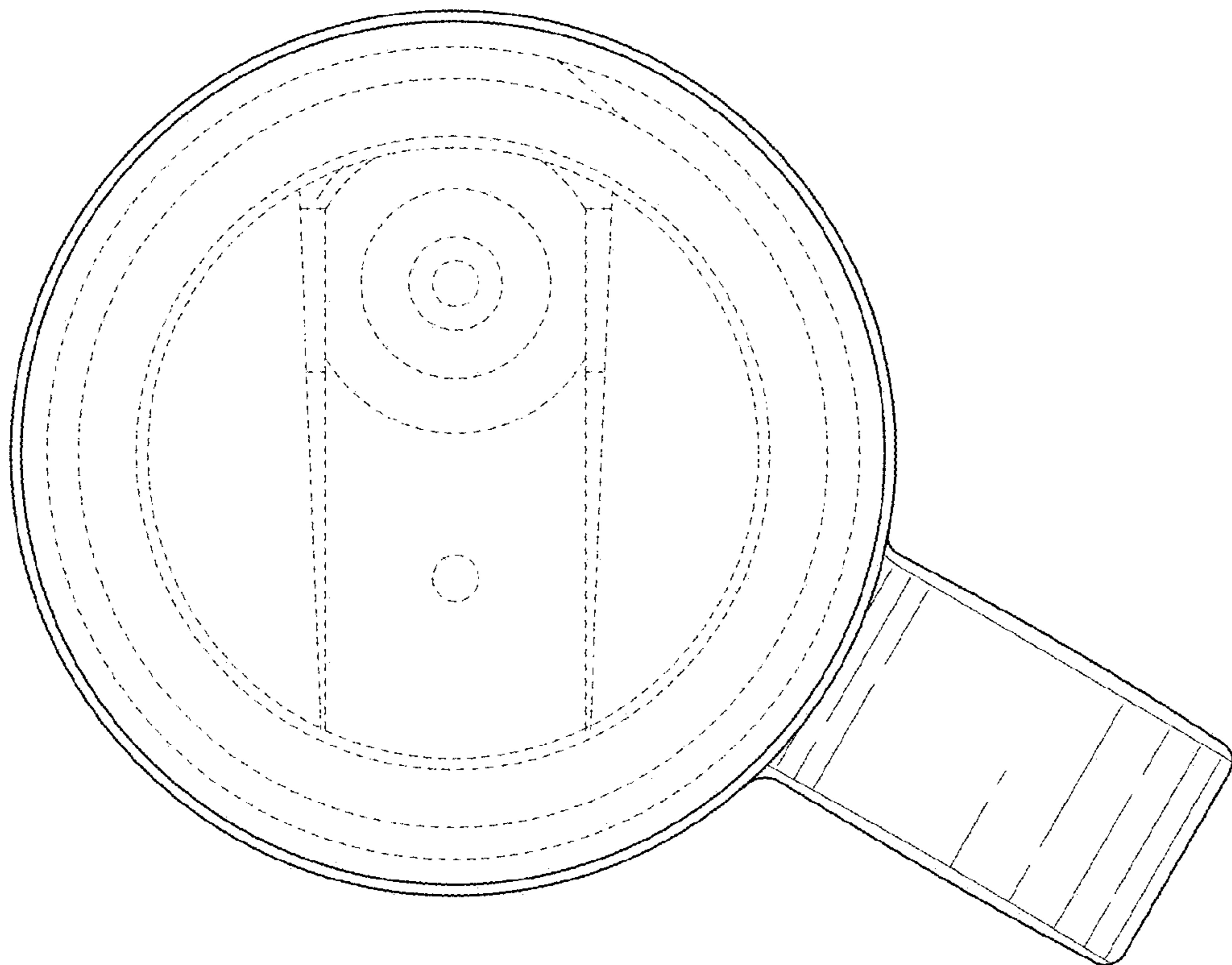
FIG. 7



**FIG. 8**

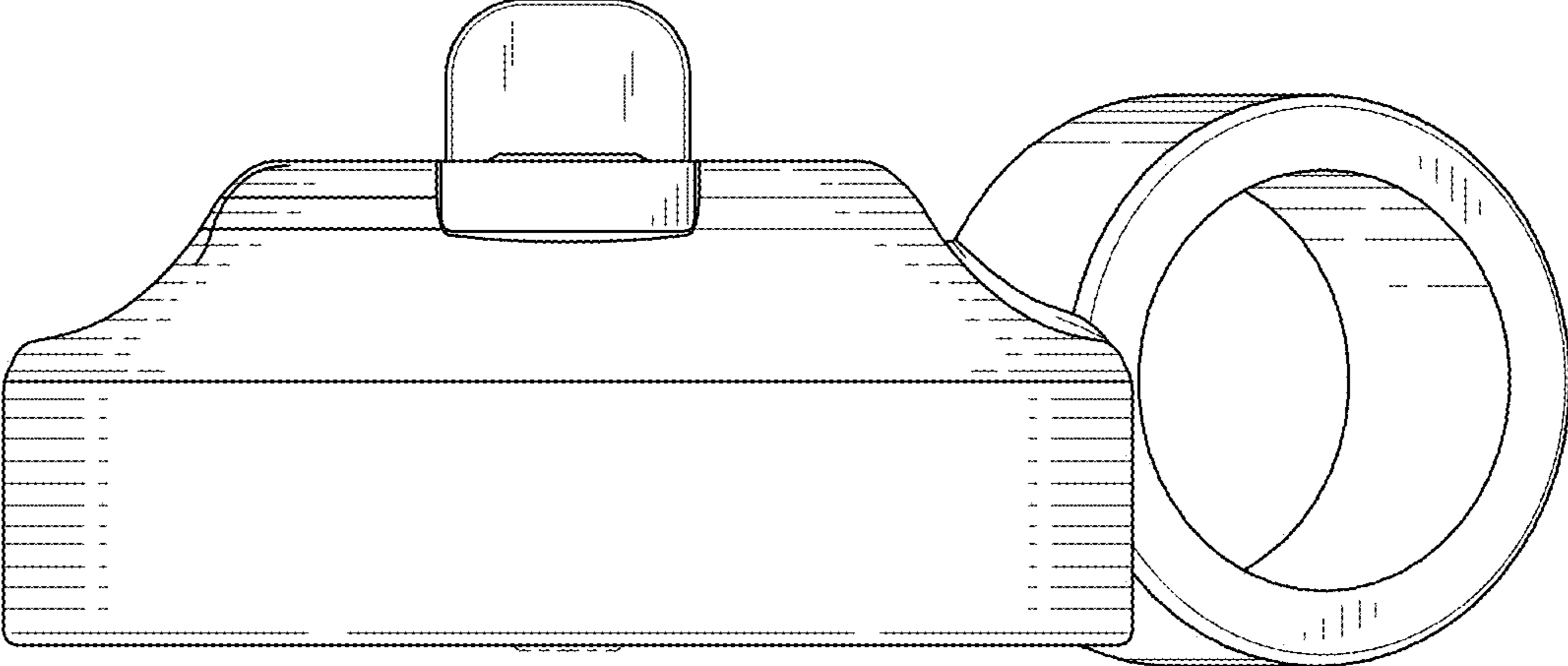


**FIG. 9**

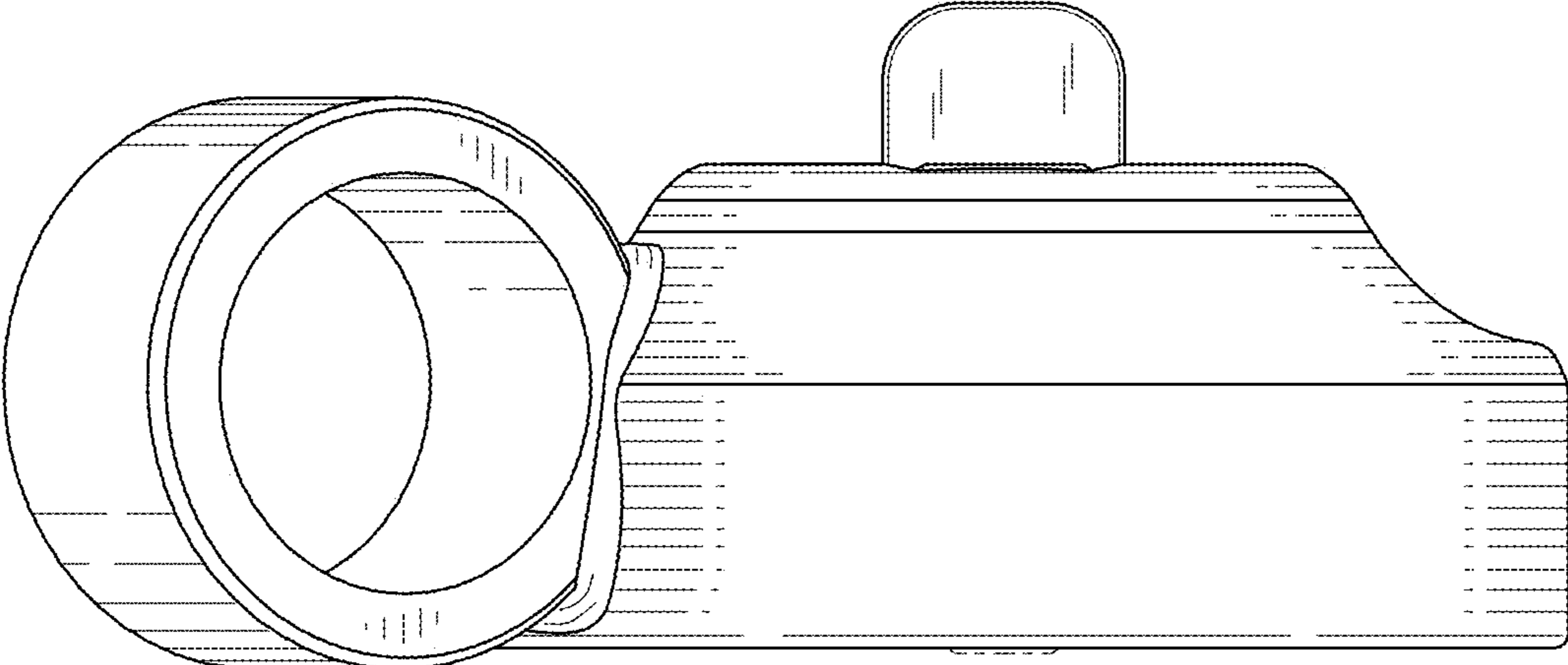


**FIG. 10**

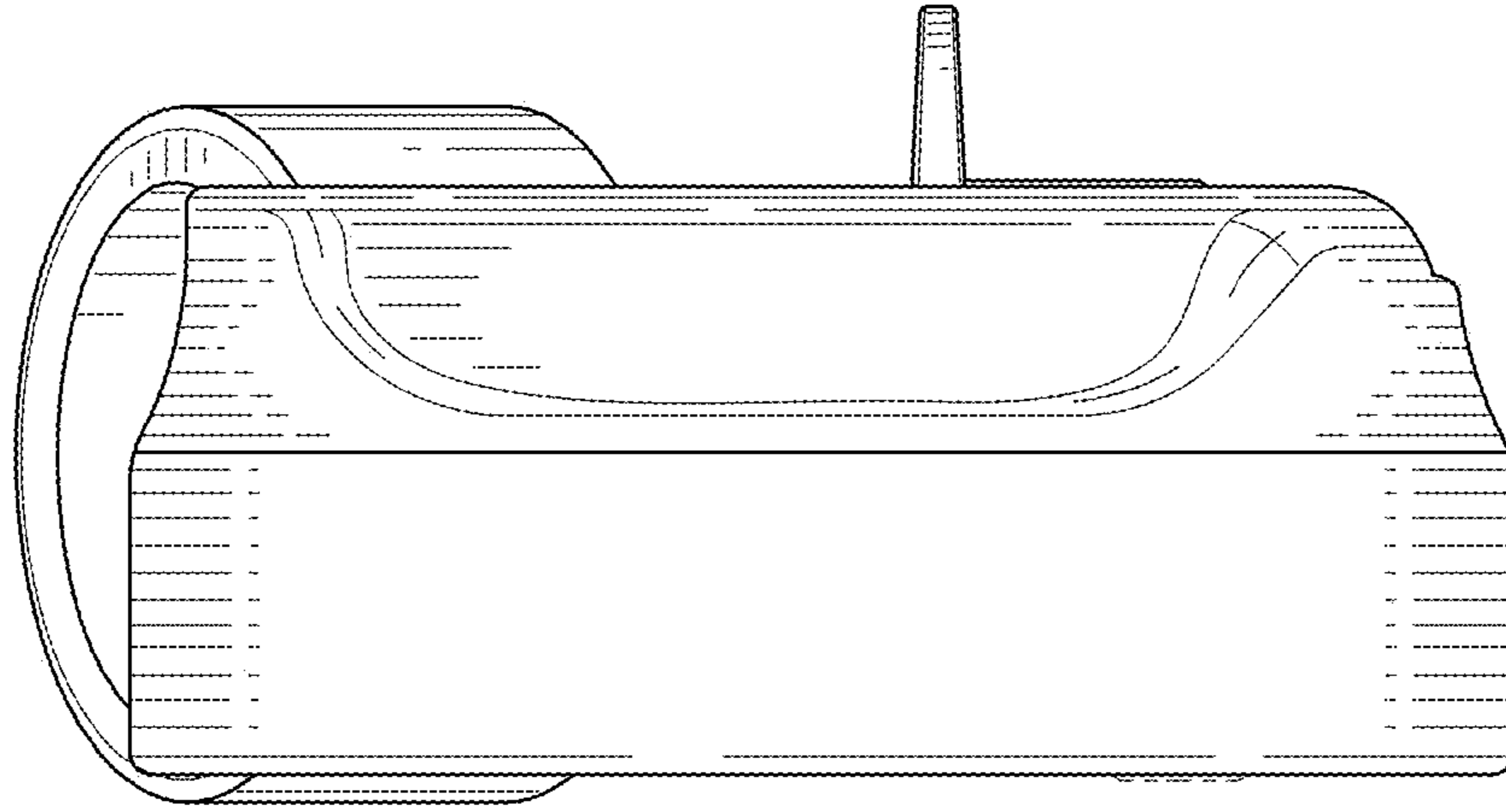




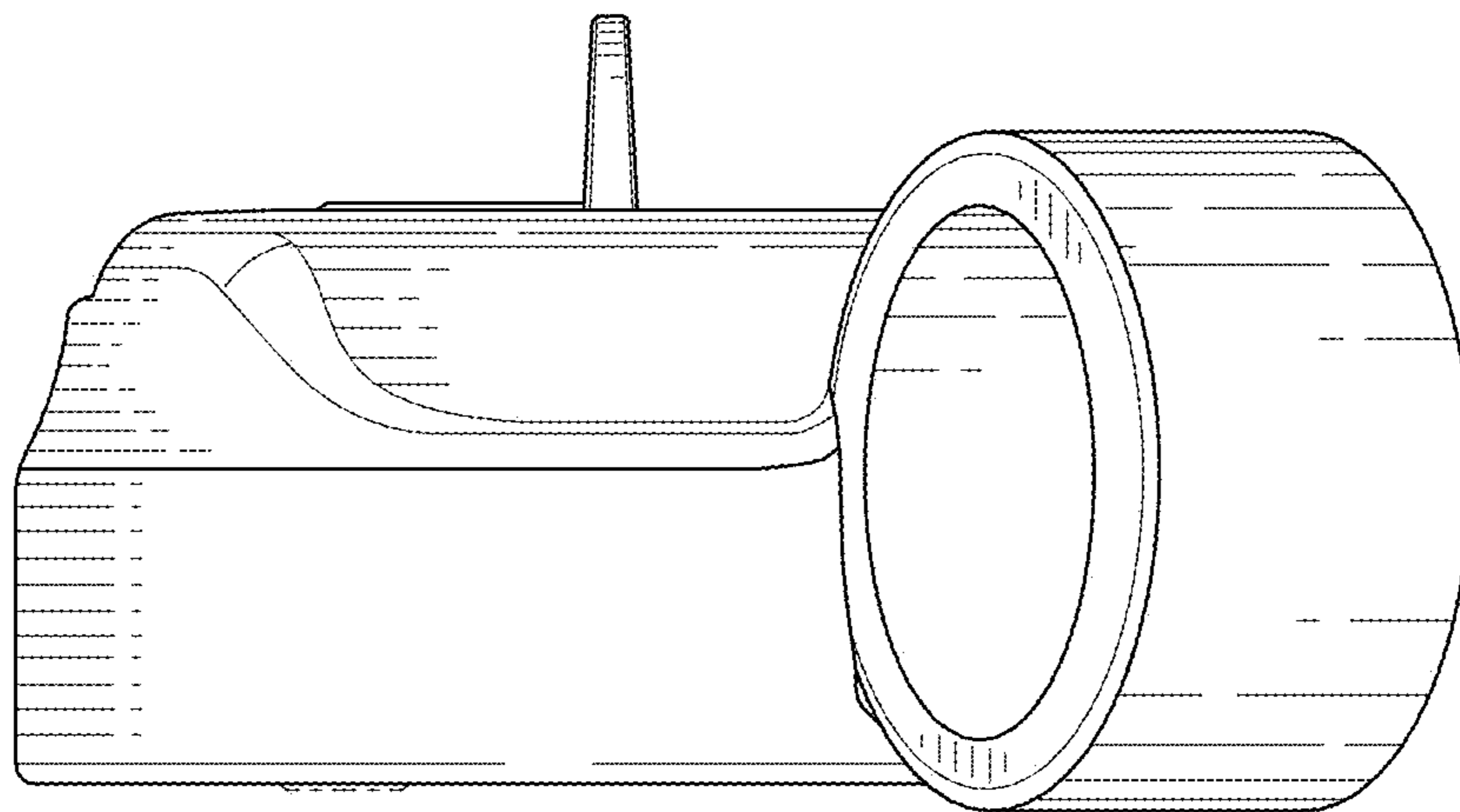
**FIG. 11**



**FIG. 12**



**FIG. 13**



**FIG. 14**