



US00D973426S

(12) **United States Design Patent**
Kutlug

(10) **Patent No.:** **US D973,426 S**

(45) **Date of Patent:** **** Dec. 27, 2022**

(54) **WATER BOTTLE LID WITH STRAW**

(71) Applicant: **Adam Kutlug**, Irvine, CA (US)

(72) Inventor: **Adam Kutlug**, Irvine, CA (US)

(**) Term: **15 Years**

(21) Appl. No.: **29/746,971**

(22) Filed: **Aug. 18, 2020**

(51) **LOC (13) Cl.** **07-02**

(52) **U.S. Cl.**
USPC **D7/392.1; D9/443**

(58) **Field of Classification Search**
USPC D7/392, 392.1, 396.2; D9/434, 445, 447,
D9/454, 443

CPC B65D 83/205; A47G 19/2272
See application file for complete search history.

(56) **References Cited**

U.S. PATENT DOCUMENTS

D872,522 S *	1/2020	Diener	D9/449
D872,524 S *	1/2020	Bo	D7/392.1
D886,517 S *	6/2020	Bo	D7/392.1
D887,776 S *	6/2020	Bo	D7/392.1
D893,245 S *	8/2020	Zhang	D7/392.1
D894,672 S *	9/2020	Huang	D9/450
D897,761 S *	10/2020	Zhang	D9/450
D900,539 S *	11/2020	Yao	D7/392.1
D903,405 S *	12/2020	Zhang	D7/392.1
D906,042 S *	12/2020	Chen	D9/450
D911,100 S *	2/2021	Chen	D9/450

D914,441 S *	3/2021	Zhang	D7/392.1
D922,819 S *	6/2021	Wang	D9/450
D924,000 S *	7/2021	Chen	D7/392.1
D930,427 S *	9/2021	Ayres	D7/392.1
D931,042 S *	9/2021	Burga	D7/392.1
D935,264 S *	11/2021	Kutlug	D7/392.1
D940,501 S *	1/2022	Burga	D7/392.1
D944,053 S *	2/2022	Yao	D7/392.1

* cited by examiner

Primary Examiner — S. Bryan Reinholdt, Jr.

(74) *Attorney, Agent, or Firm* — Alexander Chen, Esq.

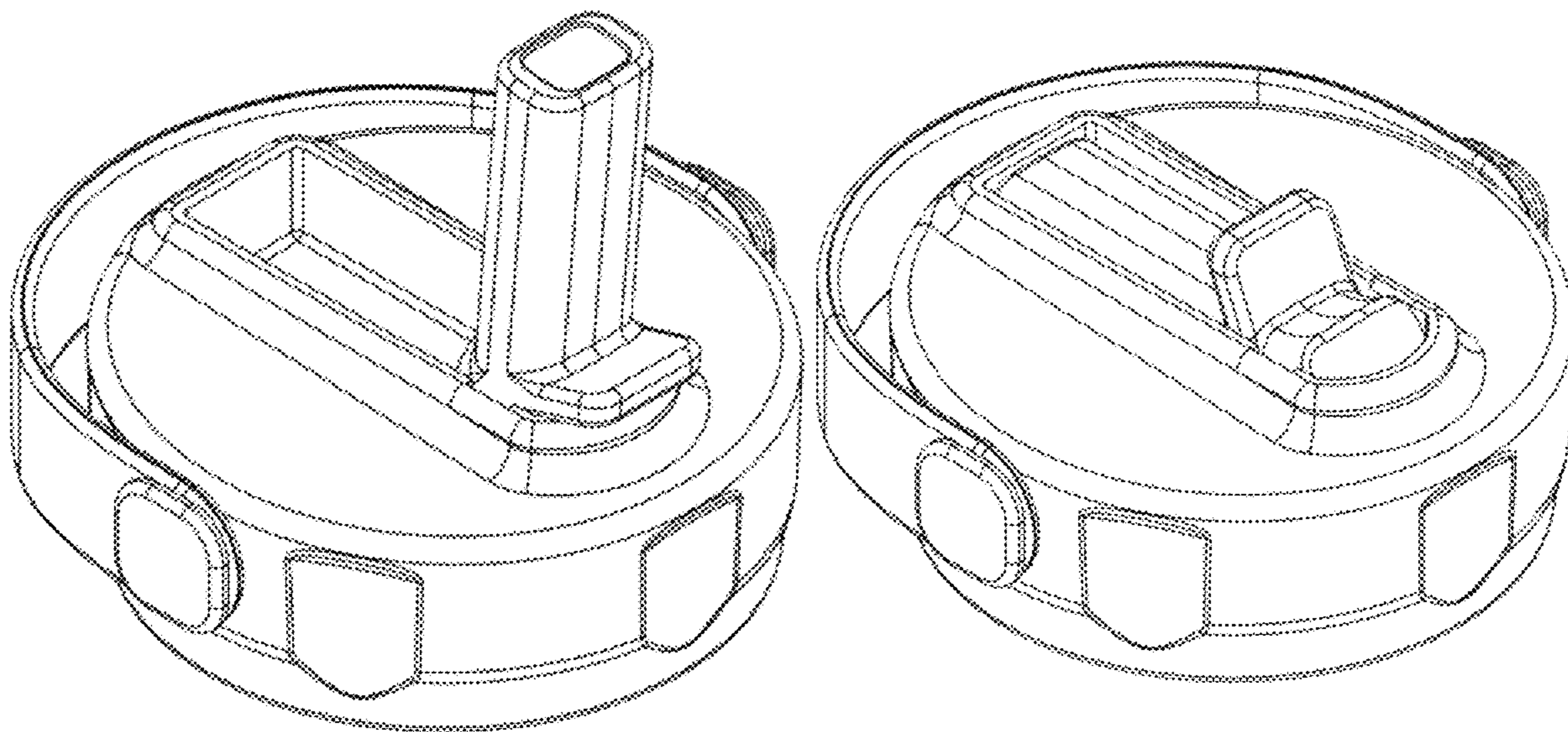
(57) **CLAIM**

The ornamental design for a water bottle lid with straw, as shown and described.

DESCRIPTION

FIG. 1 is a perspective view of a water bottle lid with straw with the lid handle in a stowed position and the straw in a position of use showing my new design;
 FIG. 2 is a perspective view thereof with the straw in a stowed position;
 FIG. 3 is a side view thereof with the handle in a position of use;
 FIG. 4 is a side view thereof;
 FIG. 5 is a top view thereof;
 FIG. 6 is a front view thereof; and,
 FIG. 7 is a back view thereof.

1 Claim, 7 Drawing Sheets



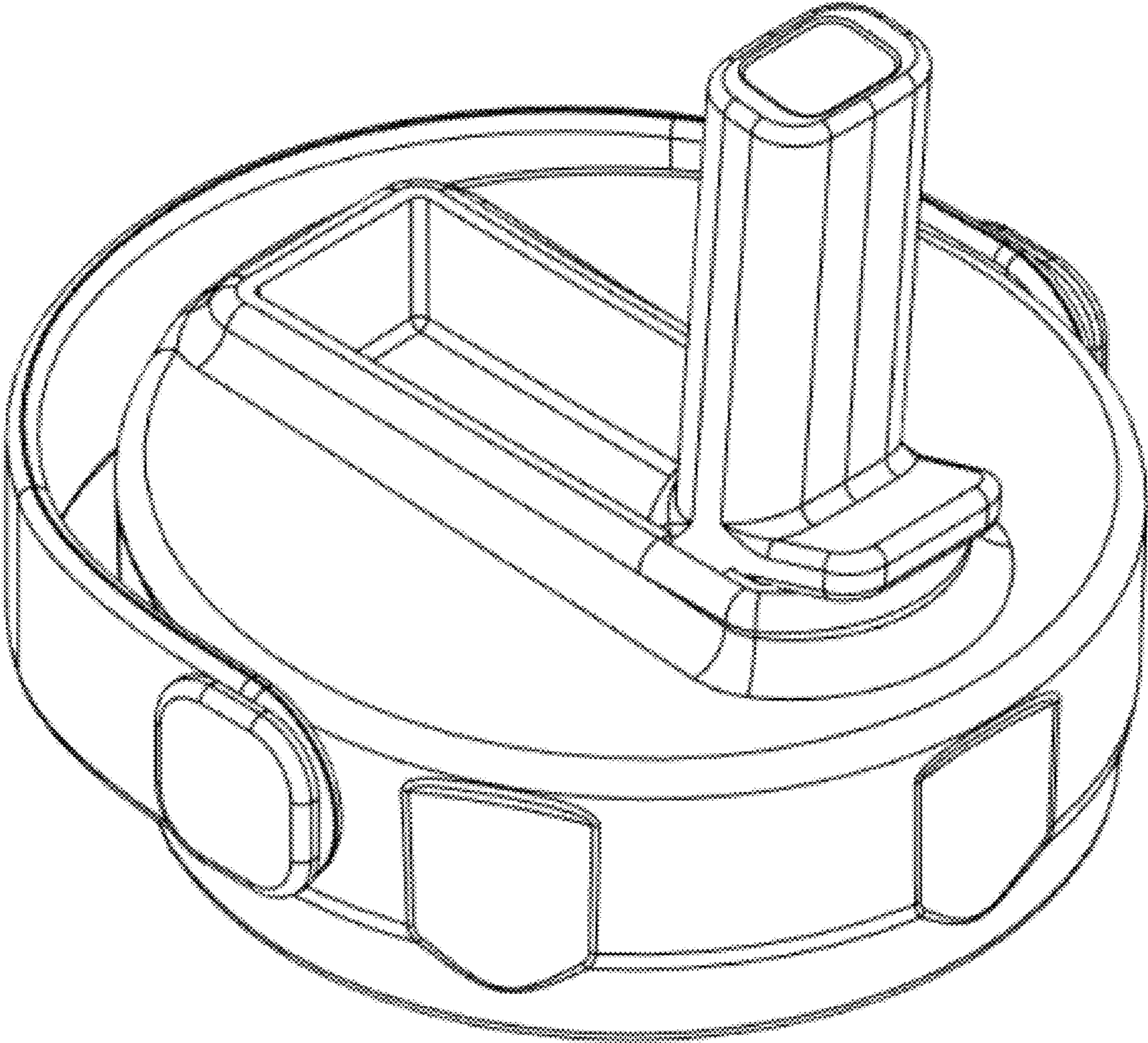


Fig. 1

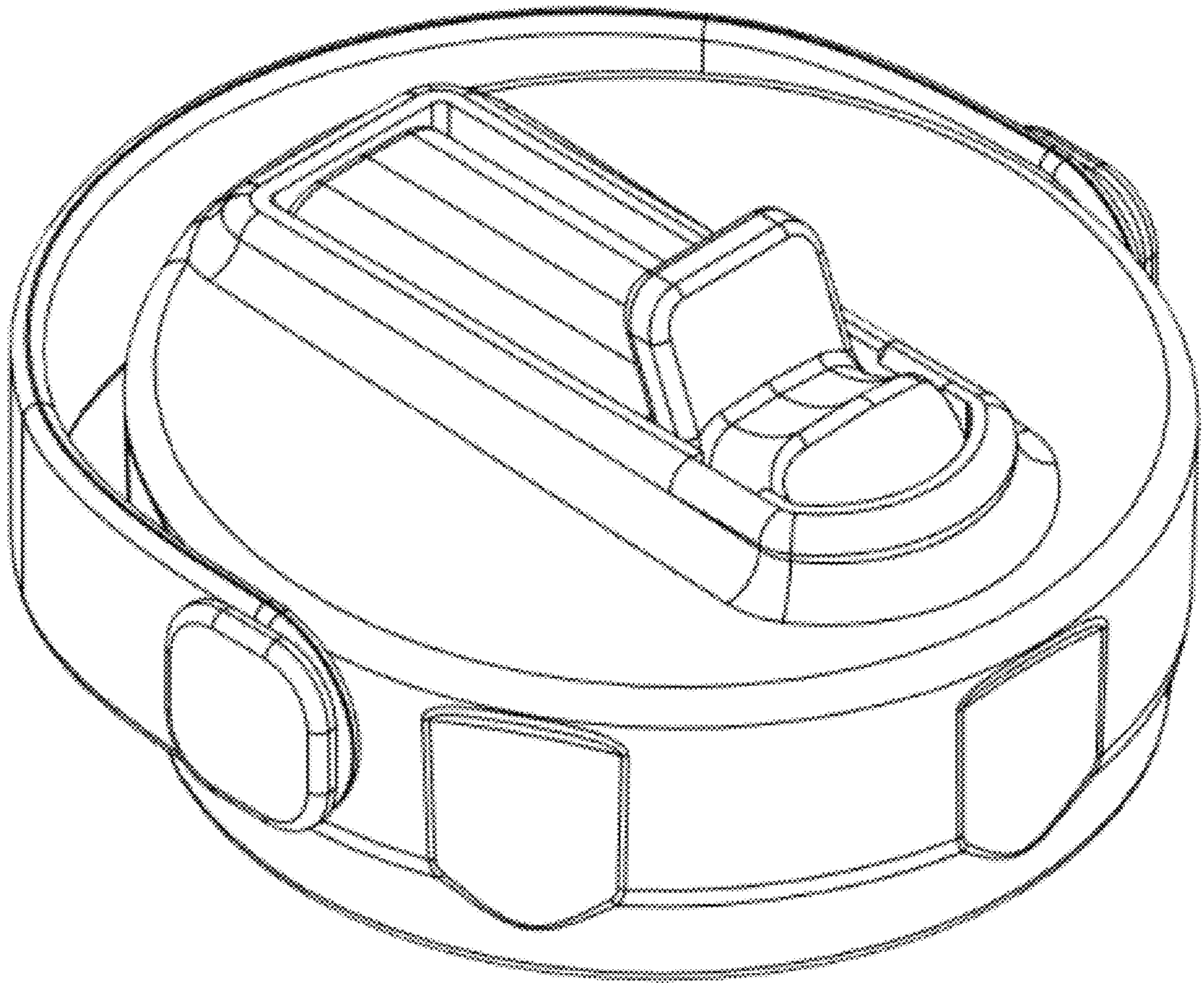


Fig. 2

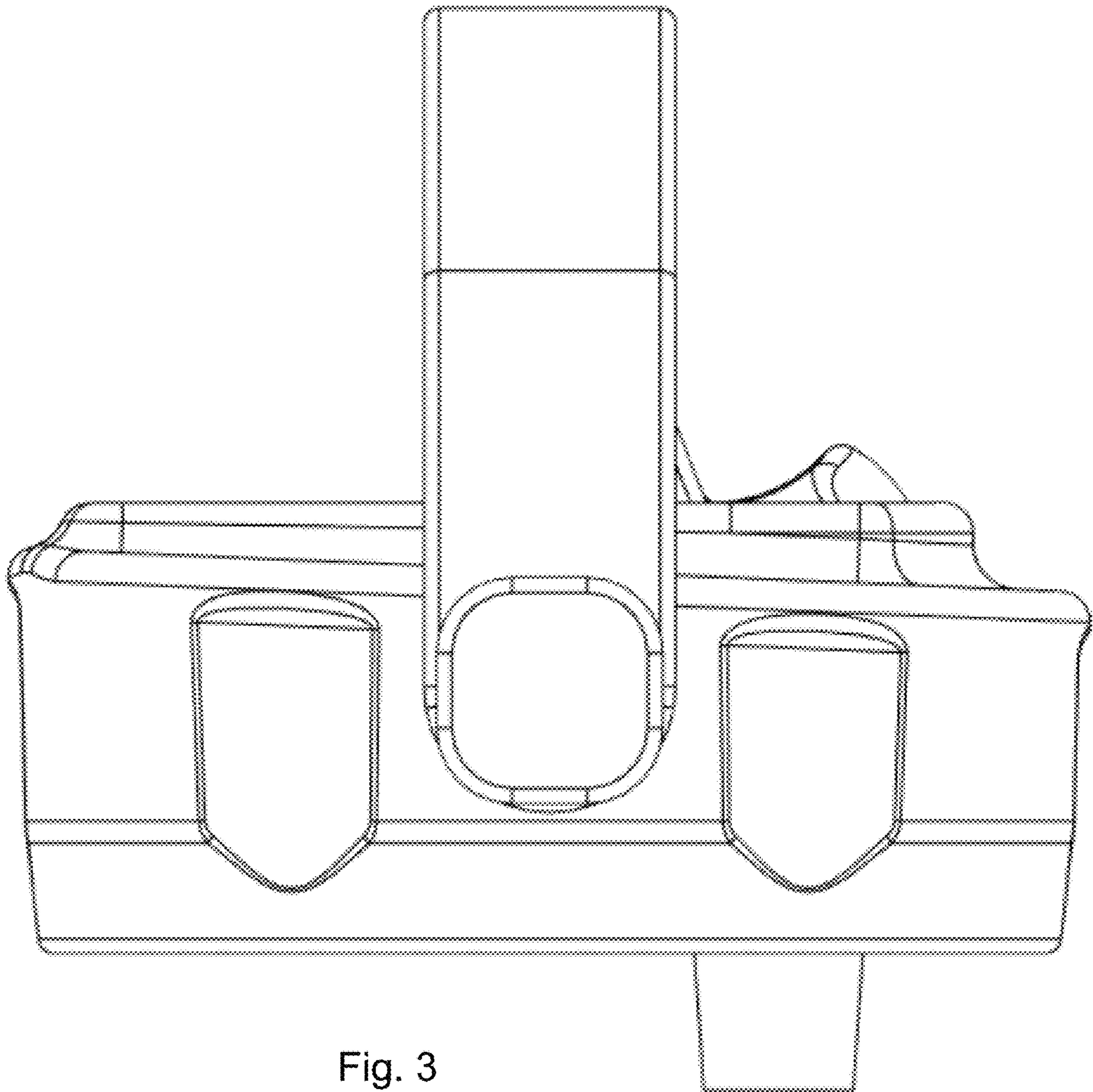


Fig. 3

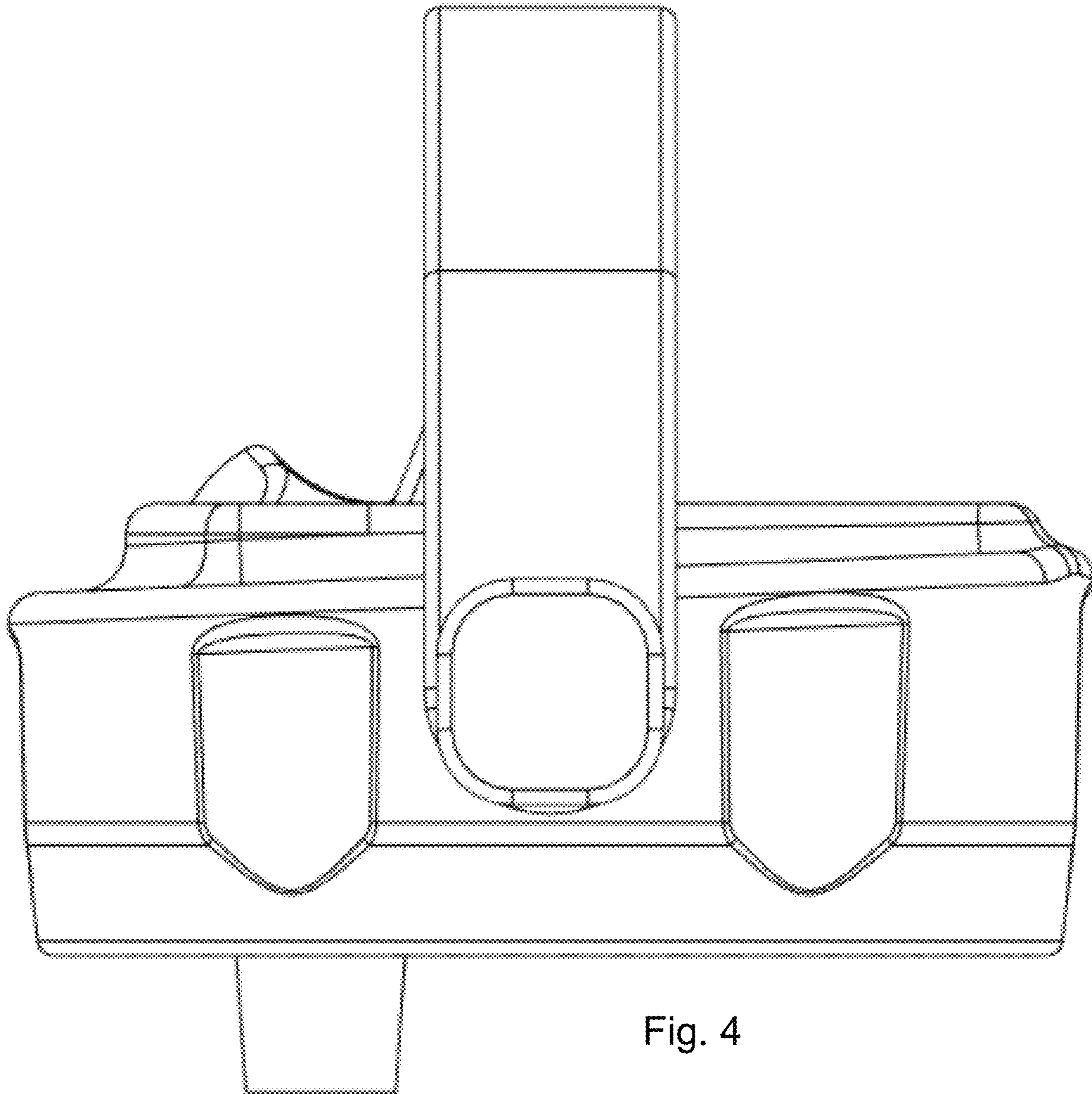


Fig. 4

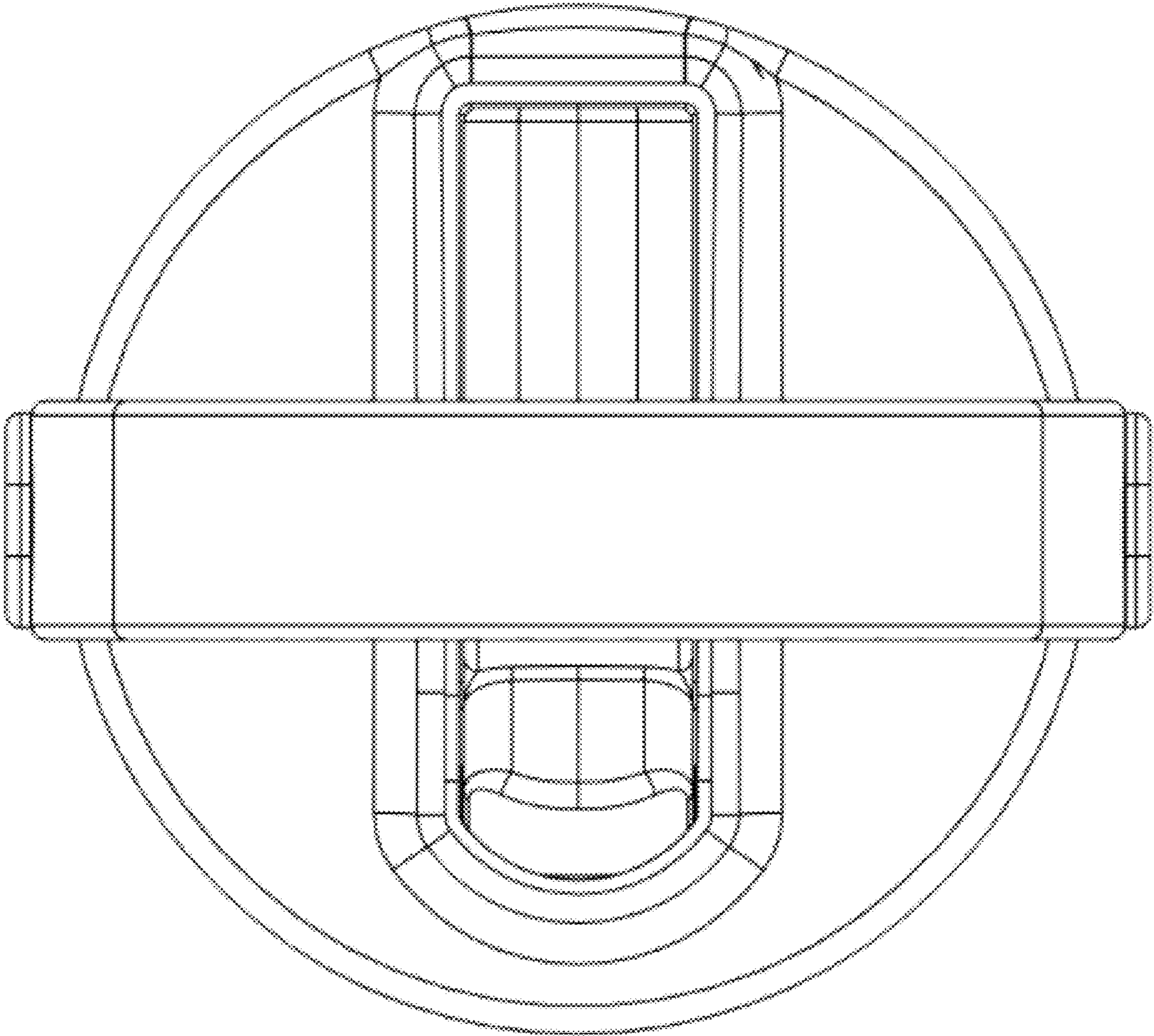


Fig. 5

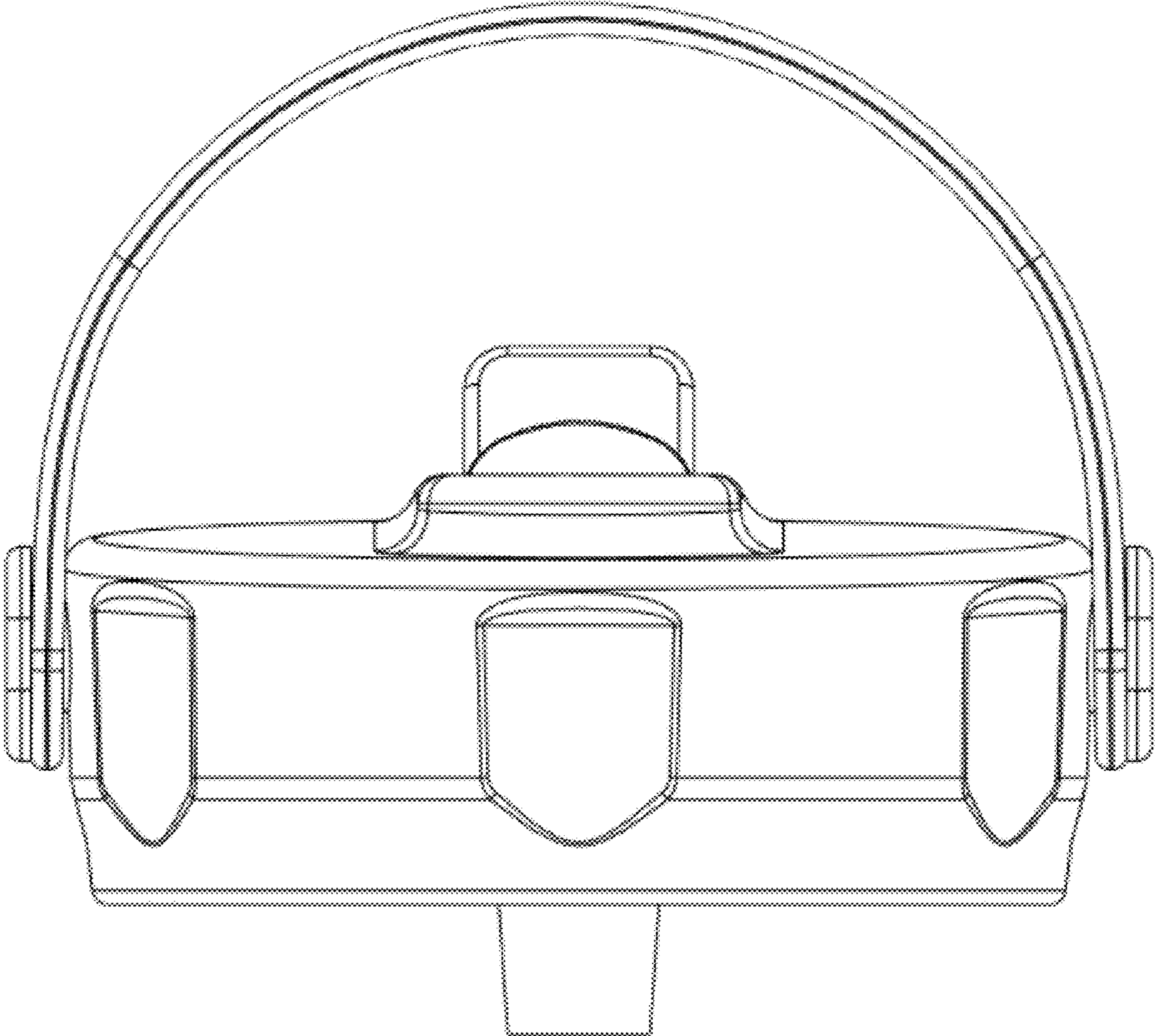


Fig. 6

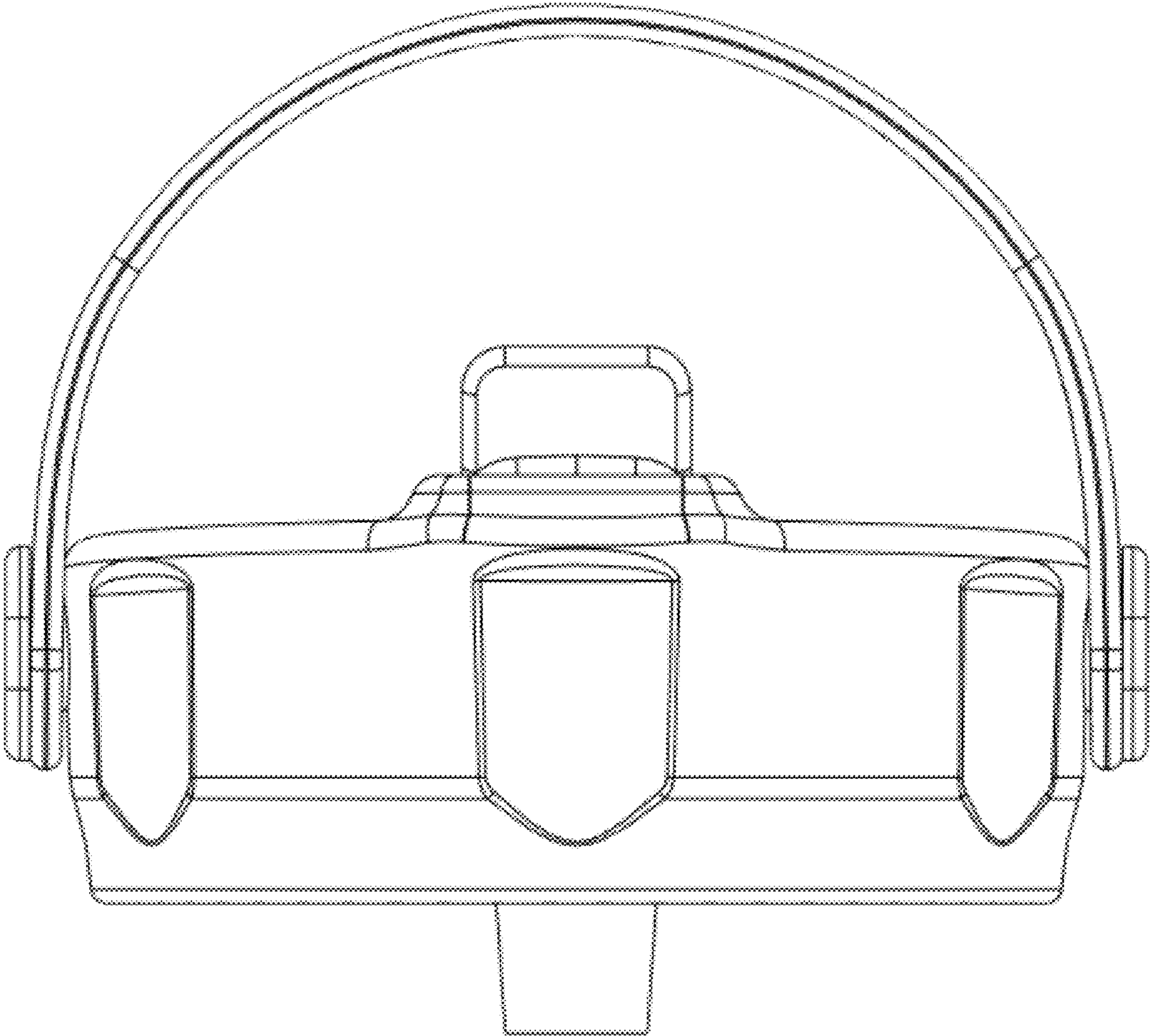


Fig. 7