



US00D973425S

(12) **United States Design Patent**
Morenstein et al.

(10) **Patent No.:** **US D973,425 S**

(45) **Date of Patent:** **** Dec. 27, 2022**

(54) **LID WITH HANDLE FOR A MICROWAVE COOKING CONTAINER**

(56) **References Cited**

U.S. PATENT DOCUMENTS

D169,004 S * 3/1953 Krilow D7/392.1
D170,712 S * 10/1953 Painter D7/392.1

(Continued)

Primary Examiner — Ricky Pham

(74) *Attorney, Agent, or Firm* — Akerman LLP

(71) Applicant: **Meyer Intellectual Properties Limited**,
Kowloon (HK)

(72) Inventors: **Joshua Morenstein**, San Francisco, CA (US); **Christopher Hibmacronan**, Oakland, CA (US); **Christian Scott Ross**, San Francisco, CA (US); **Myungjae Park**, San Francisco, CA (US); **Stanley Kin Sui Cheng**, Hillsborough, CA (US); **Stephanie Hai Yan Chen**, San Francisco, CA (US); **Xi Zheng**, Fremont, CA (US)

(57) **CLAIM**

The ornamental design for a lid with handle for a microwave cooking container, as shown and described.

(73) Assignee: **Meyer Intellectual Properties Ltd.**,
Kowloon (HK)

DESCRIPTION

(**) Term: **15 Years**

(21) Appl. No.: **29/759,851**

(22) Filed: **Nov. 25, 2020**

(51) **LOC (13) Cl.** **07-02**

(52) **U.S. Cl.**
USPC **D7/391**

(58) **Field of Classification Search**
USPC D7/323, 354-363, 391, 392.1, 393-396,
D7/409, 545, 602, 629
CPC A47G 19/027; A47G 19/12; A47G 19/26;
A47J 27/00; A47J 27/002; A47J 27/08;
A47J 27/13; A47J 27/21; A47J 27/58;
A47J 36/025; A47J 36/027; A47J 36/06;
A47J 36/12; A47J 37/00; A47J 37/0704;
A47J 37/10; A47J 37/101; A47J 37/103;
A47J 37/12; A47J 37/1204; A47J 39/02;
A47J

(Continued)

FIG. 1 is a perspective view of the top of the container of the lid with handle for a microwave cooking container, showing our new design;
FIG. 2 is a top plan view thereof;
FIG. 3 is a bottom plan thereof;
FIG. 4 is a perspective view of the bottom thereof;
FIG. 5 is a side elevation view thereof;
FIG. 6 is a cross-section elevation view thereof, taken at section line 6-6 in FIG. 2;
FIG. 7 is an enlarged perspective view of the handle of the lid with handle for a microwave cooking container, shown separately for ease and completeness of illustration;
FIG. 8 is a right side elevation view thereof;
FIG. 9 is a left side elevation view thereof;
FIG. 10 is top plan view thereof;
FIG. 11 is a bottom plan view thereof;
FIG. 12 is a front side elevation view thereof;
FIG. 13 is a rear side elevation view thereof;
FIG. 14 is a top plan view of the lid with handle for a microwave cooking container, shown with the handle fully engaged to the lid;
FIG. 15 is a bottom plan thereof;

(Continued)

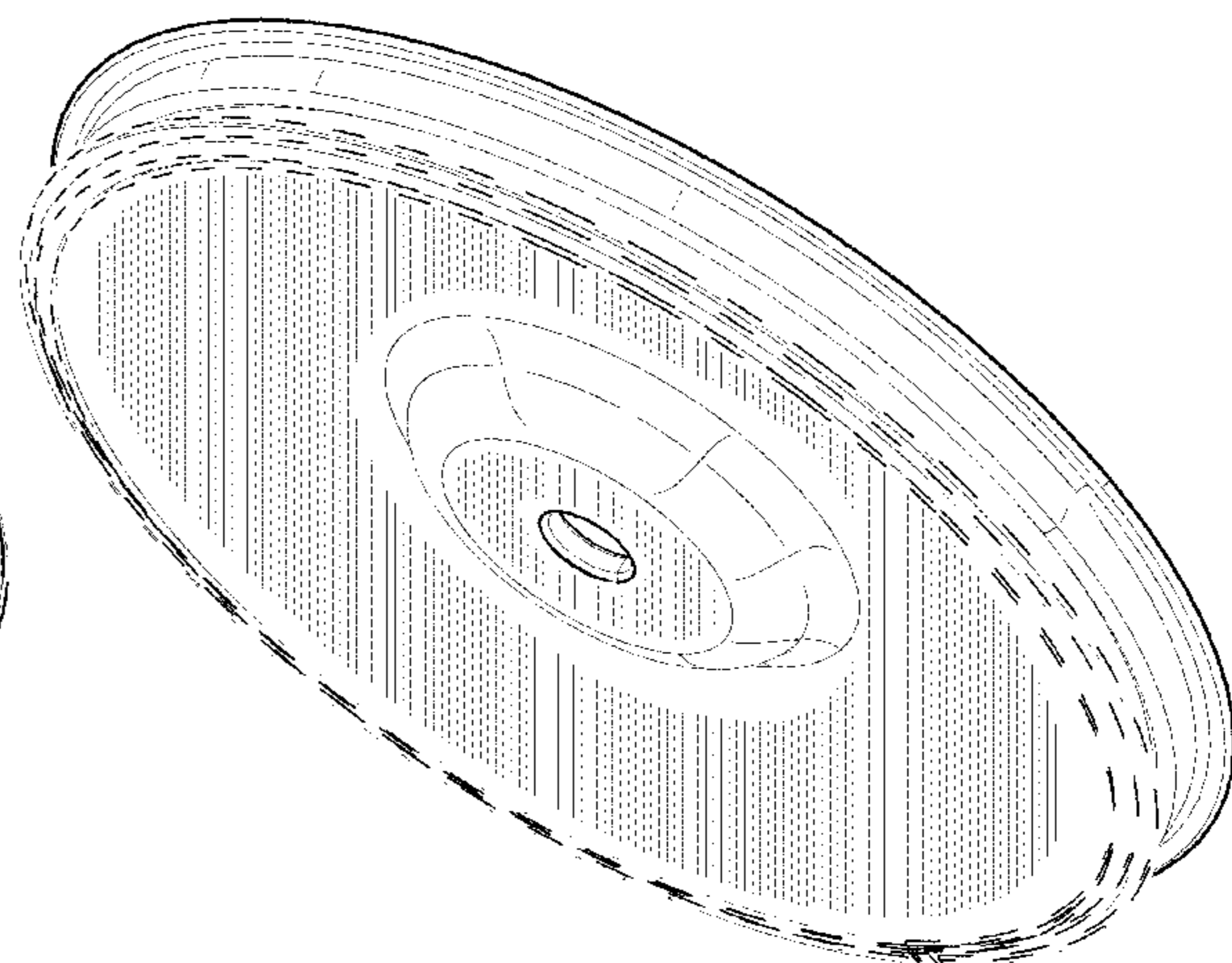
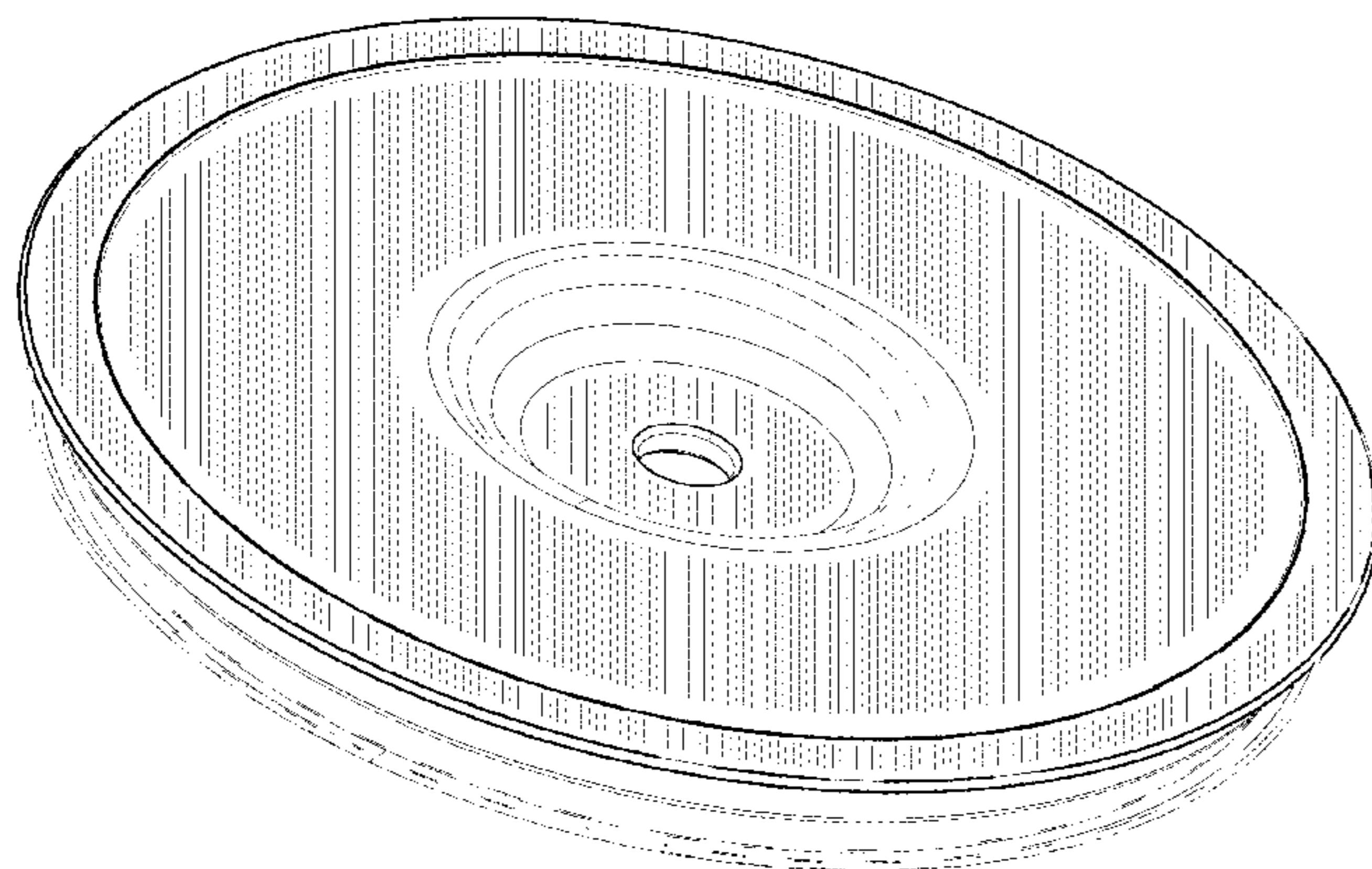


FIG. 16 is a cross-section elevation view thereof, taken at section line 16-16 in FIG. 14; and, FIG. 17 is a side elevation view thereof. The broken lines in FIGS. 1, 4-9, 11-13 and 15-17 form no part of the claimed design.

1 Claim, 11 Drawing Sheets

(58) **Field of Classification Search**

CPC 45/061; A47J 45/071; A47J 45/08; B65D
43/0212; B65D 81/3453; H05B 6/12;
H05B 6/804; H05B 6/6494

See application file for complete search history.

(56) **References Cited**

U.S. PATENT DOCUMENTS

3,066,824 A * 12/1962 Bostrom B65D 43/0212
220/784
3,470,944 A * 10/1969 Segal A47G 19/26
165/47
3,815,736 A * 6/1974 Sedlak A47G 19/26
D7/392.1
D255,528 S * 6/1980 Seager D7/392.1
D588,866 S * 3/2009 Ho D7/391
D631,302 S * 1/2011 Sperrazza D7/629
D682,610 S * 5/2013 Carder D7/392.1
D701,421 S * 3/2014 Tai D7/354
D725,958 S * 4/2015 Karako D7/354
9,938,067 B2 * 4/2018 Resurreccion, Jr.
B65D 81/3453
D891,857 S * 8/2020 Deutsch D7/391

* cited by examiner

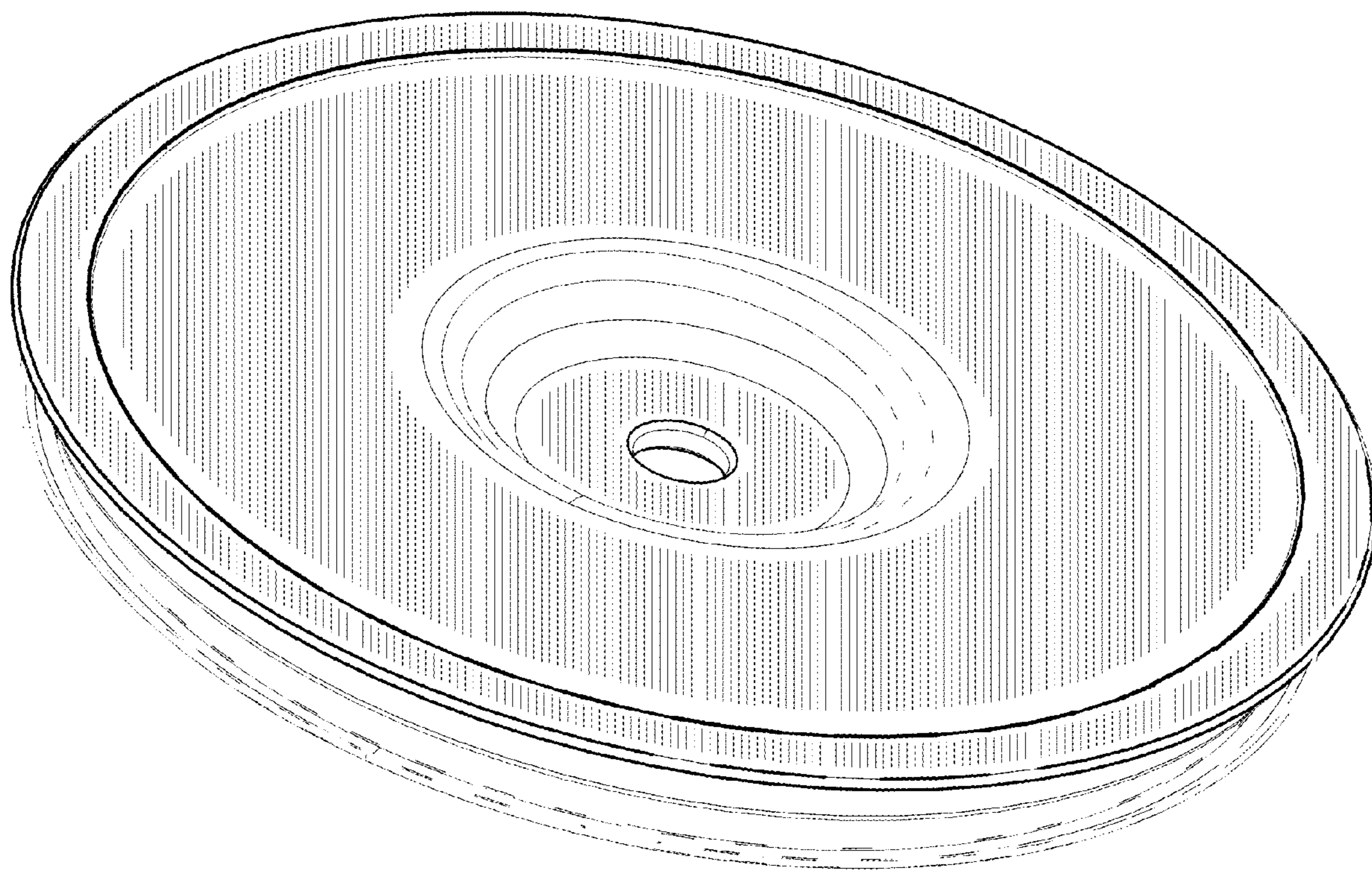


FIG. 1

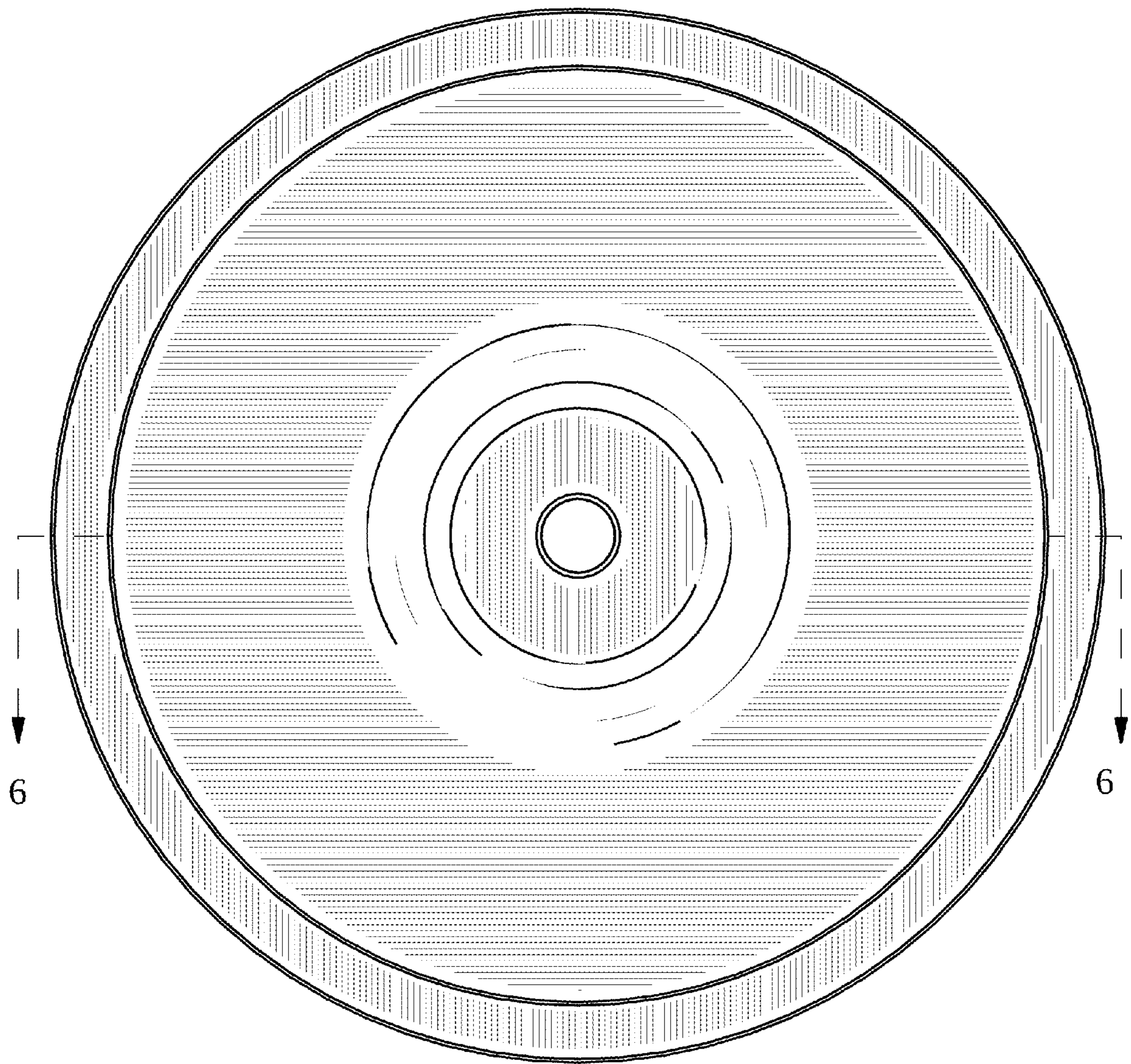


FIG. 2

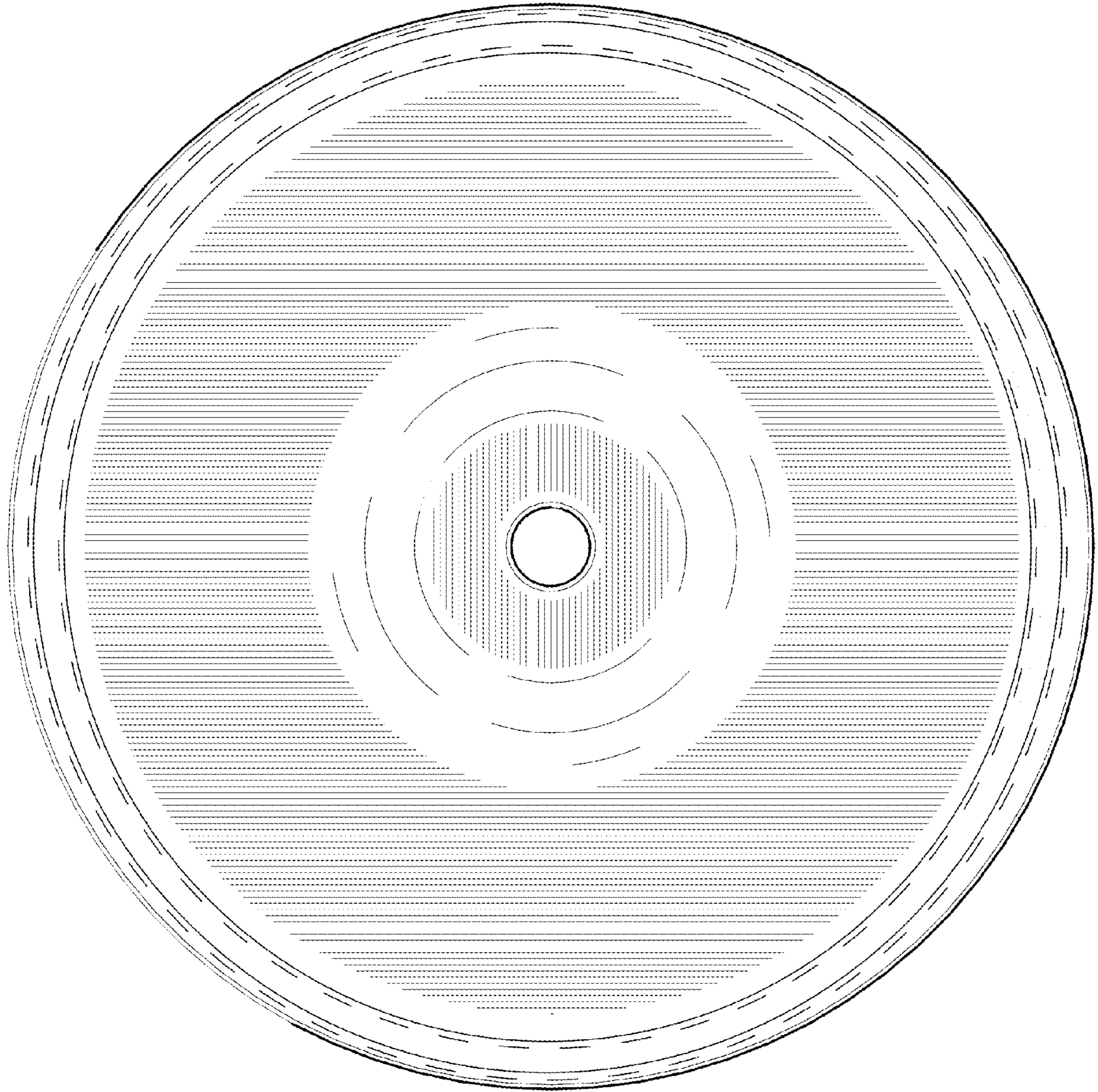


FIG. 3

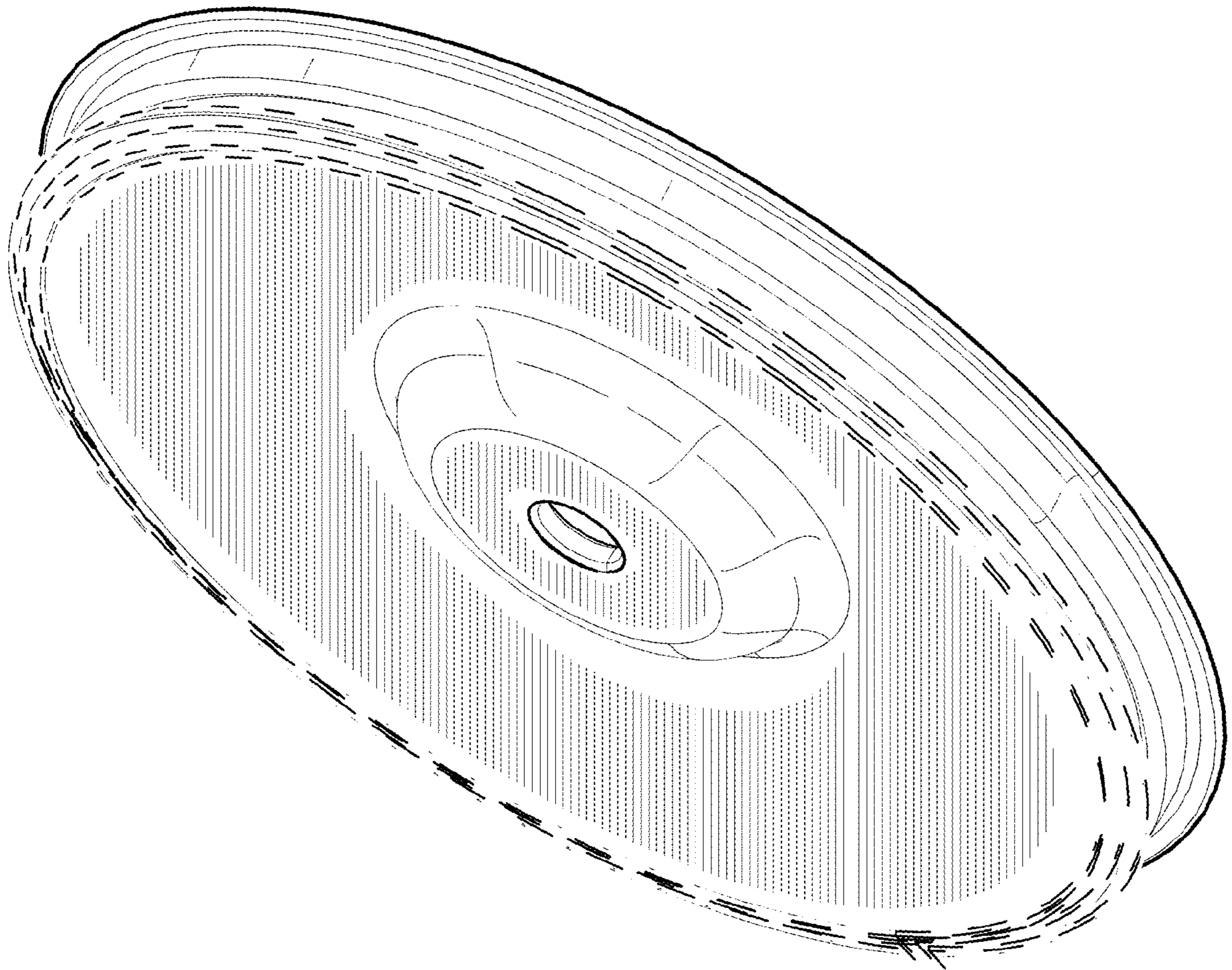


FIG. 4

FIG.6

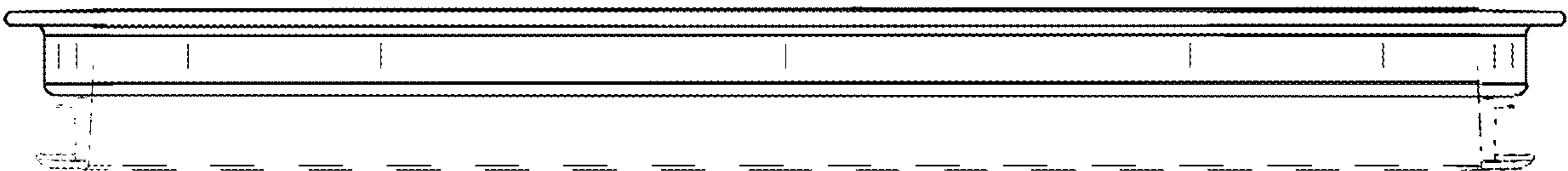
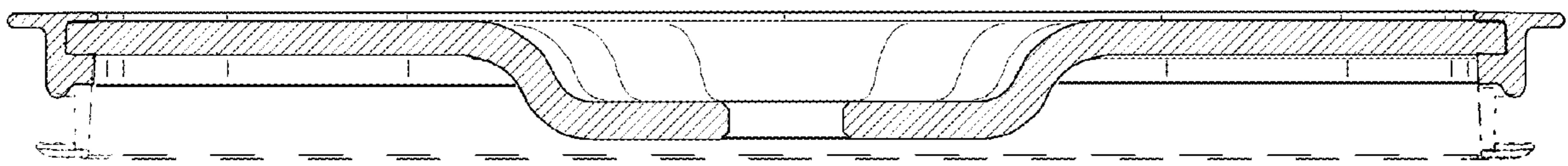


FIG.5

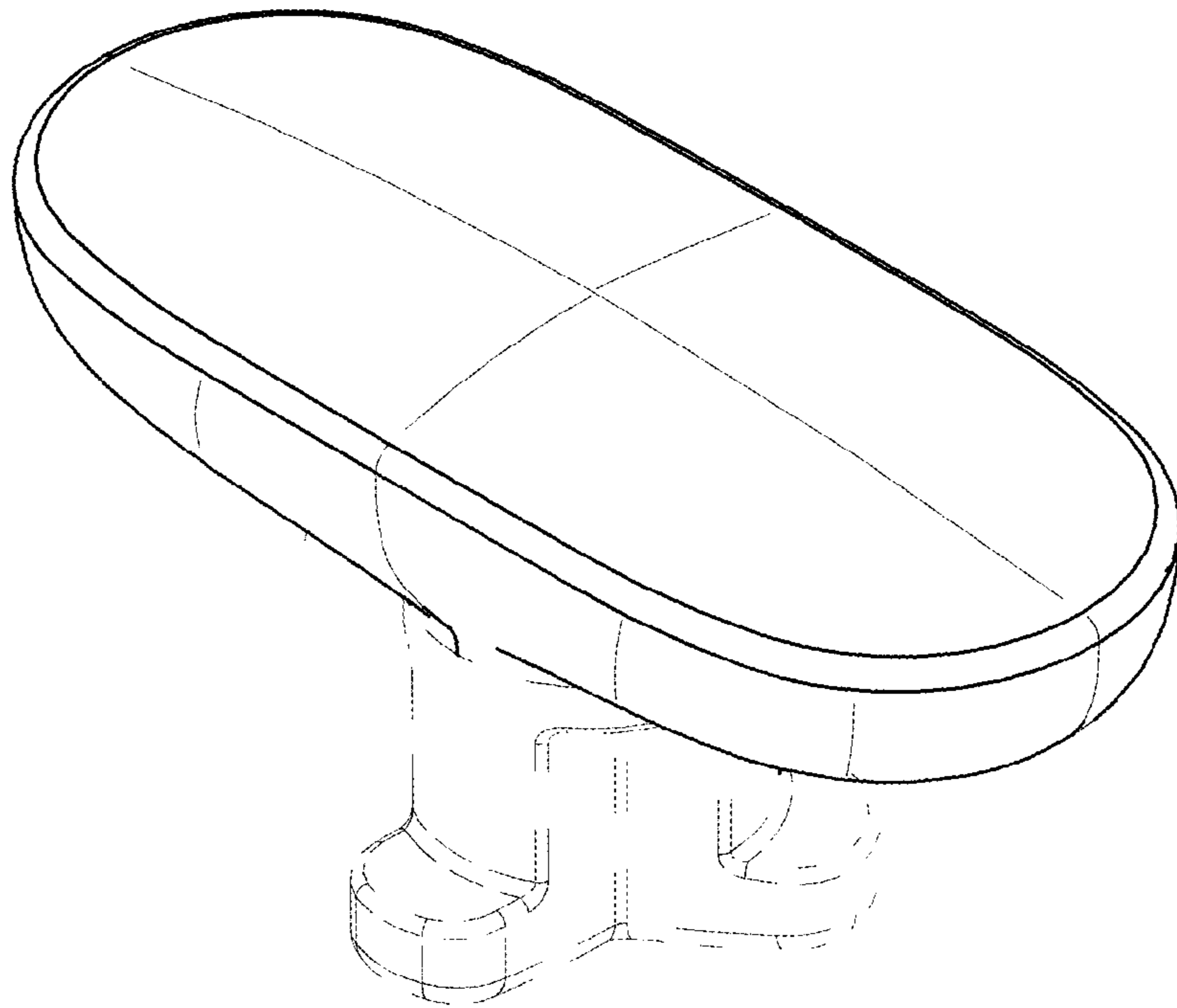


FIG. 7

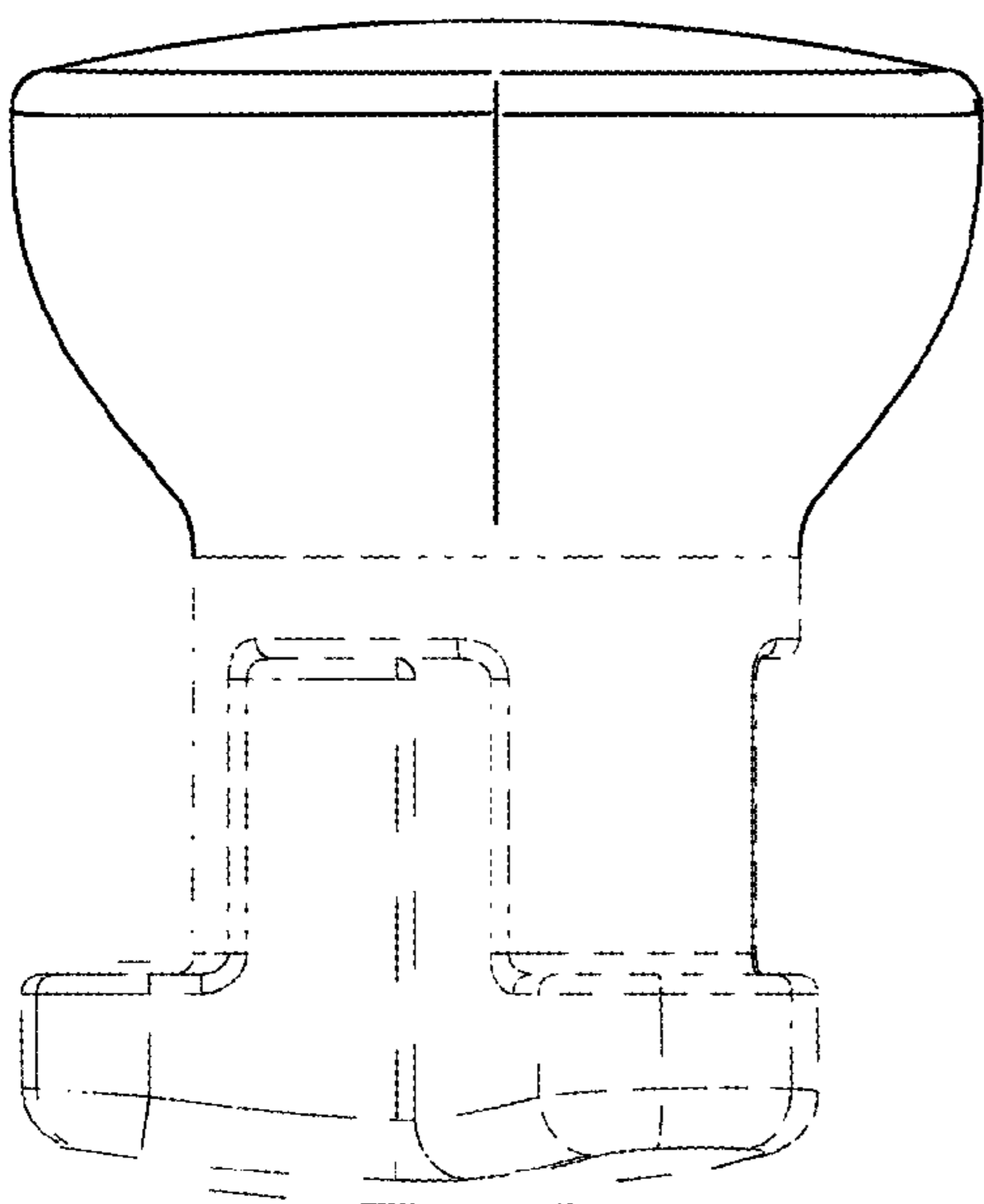


FIG. 8

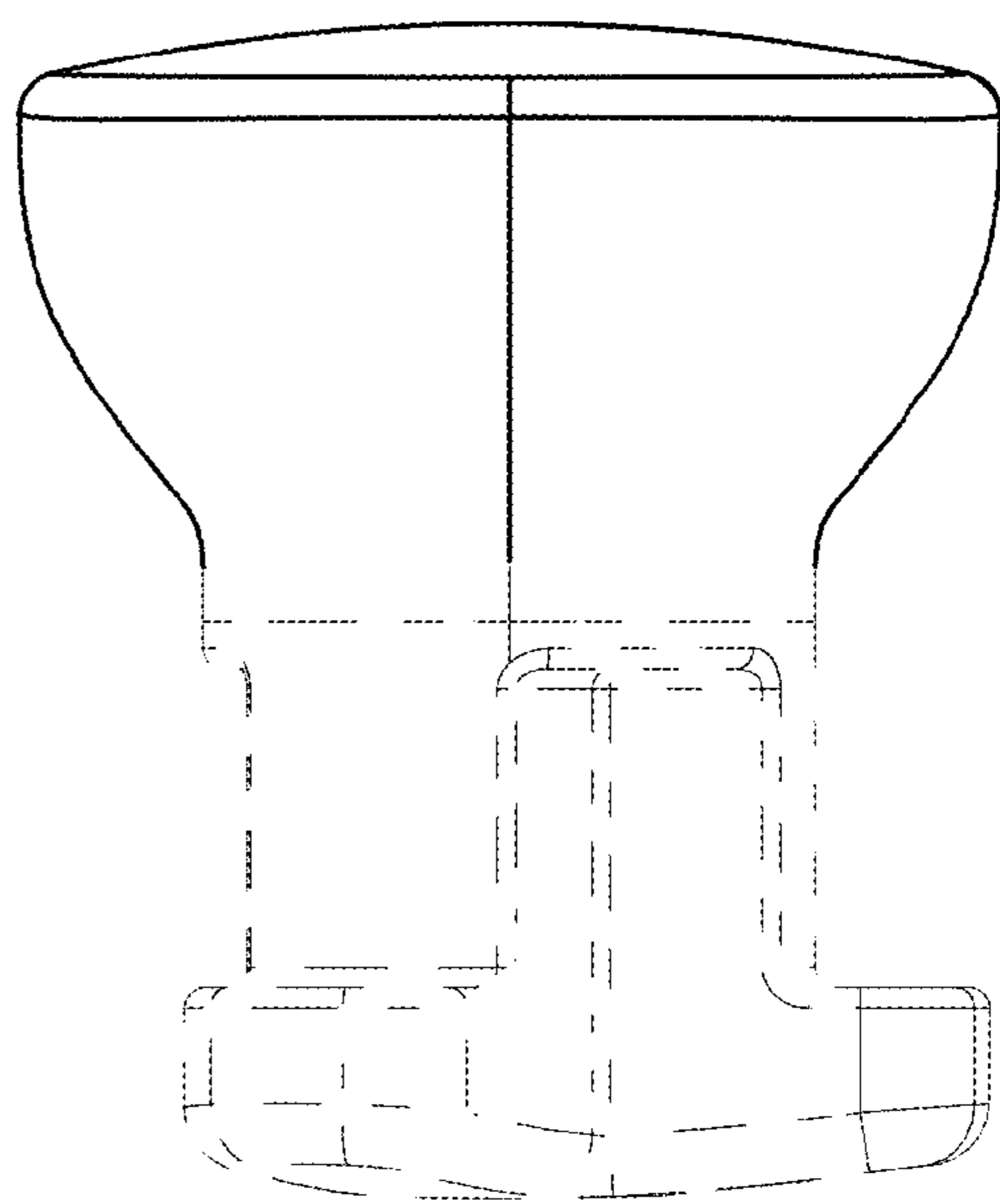


FIG. 9

FIG.10

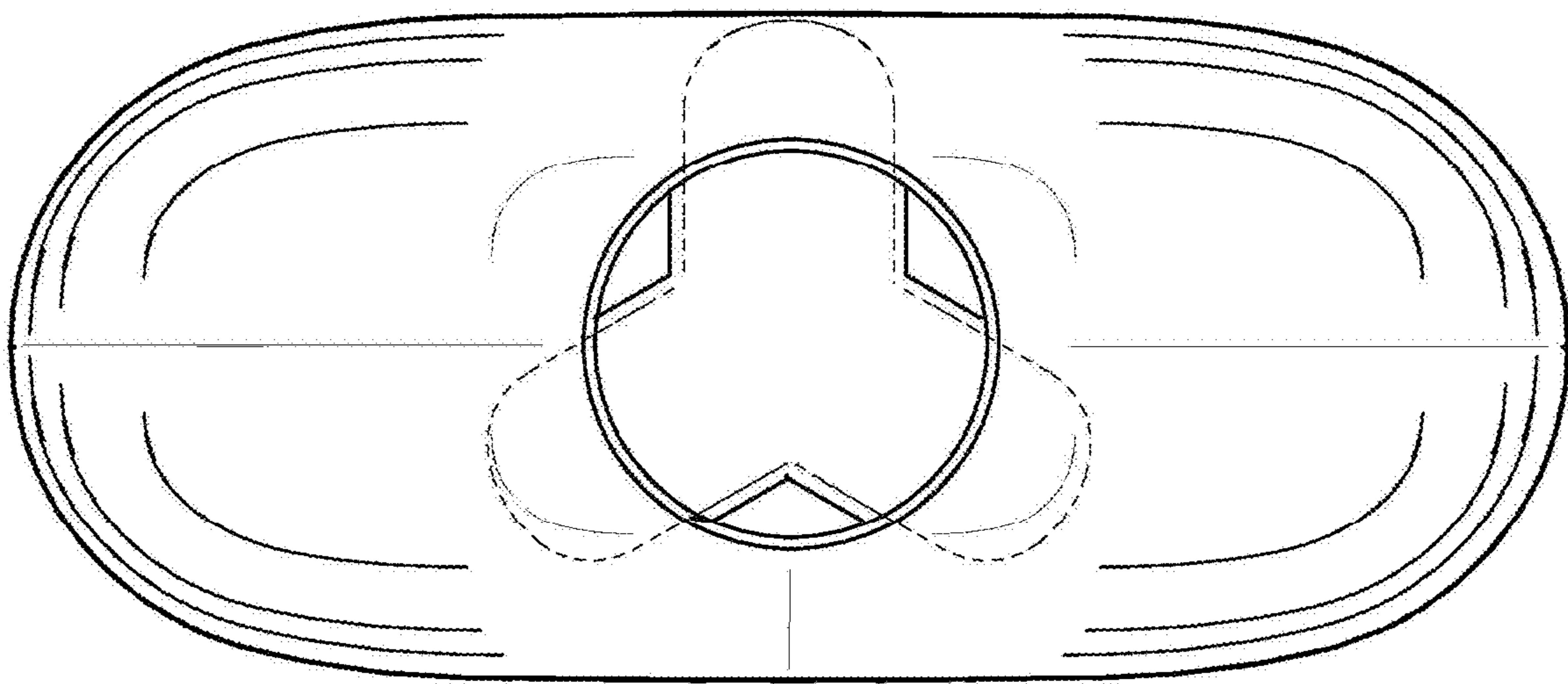
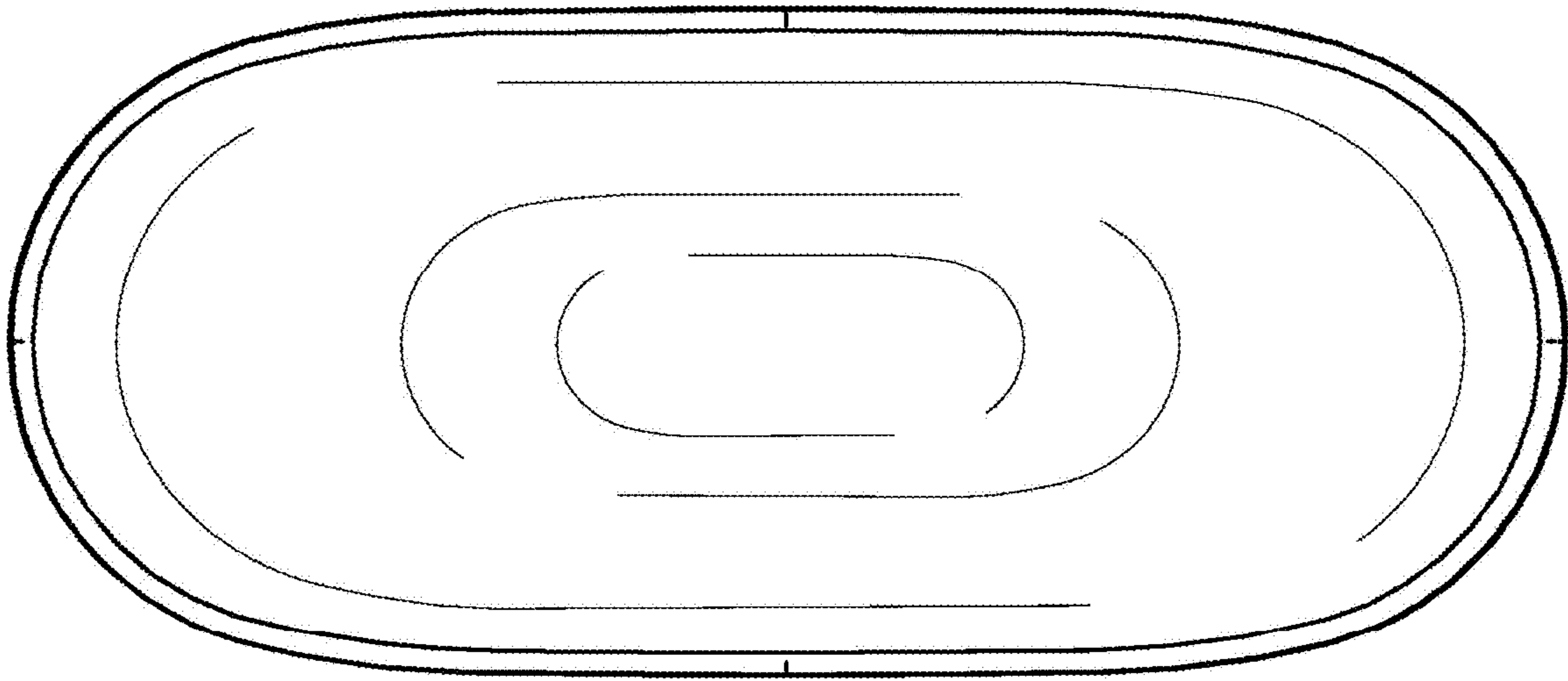


FIG.11

FIG.12

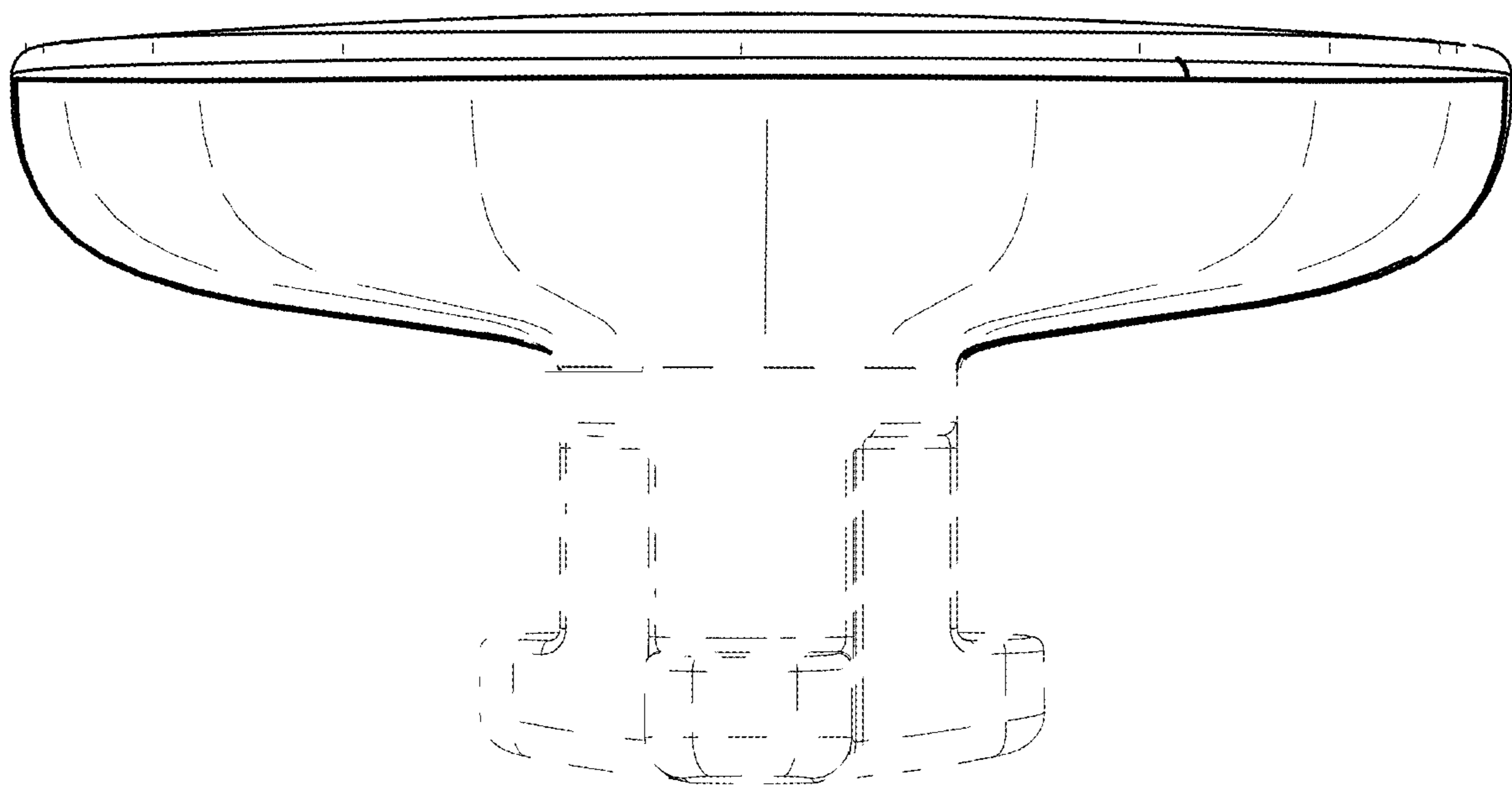
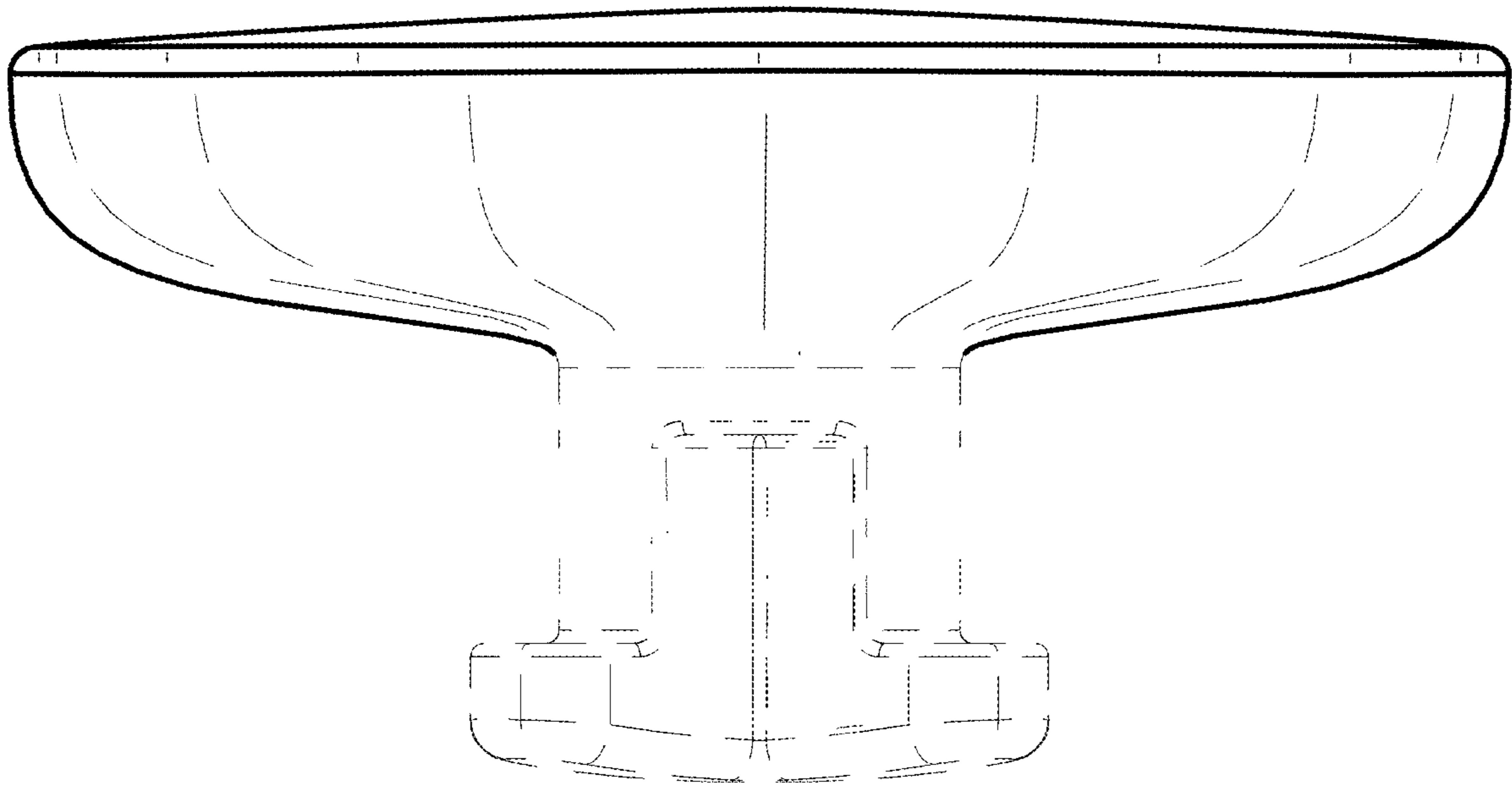


FIG.13

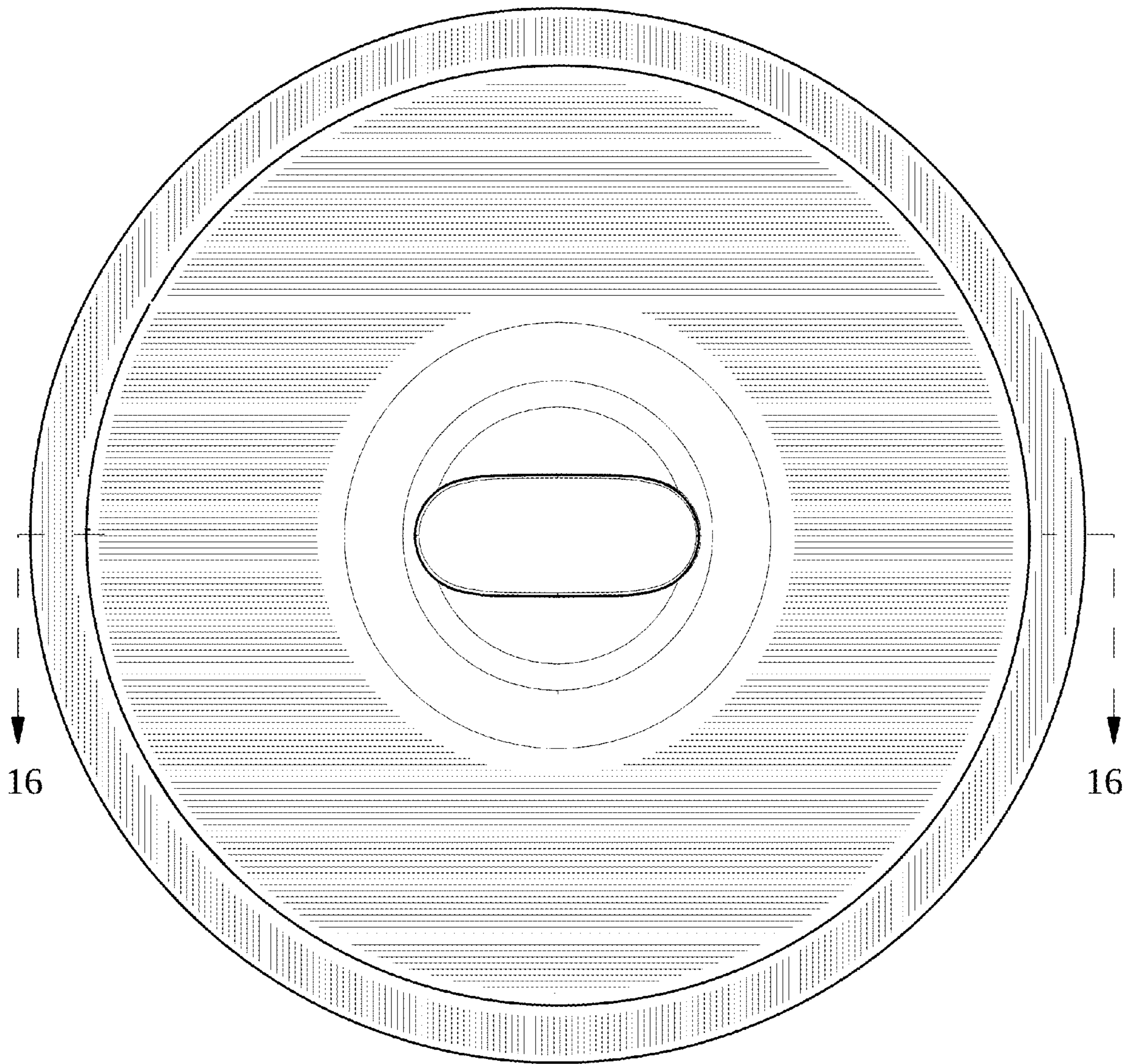


FIG.14

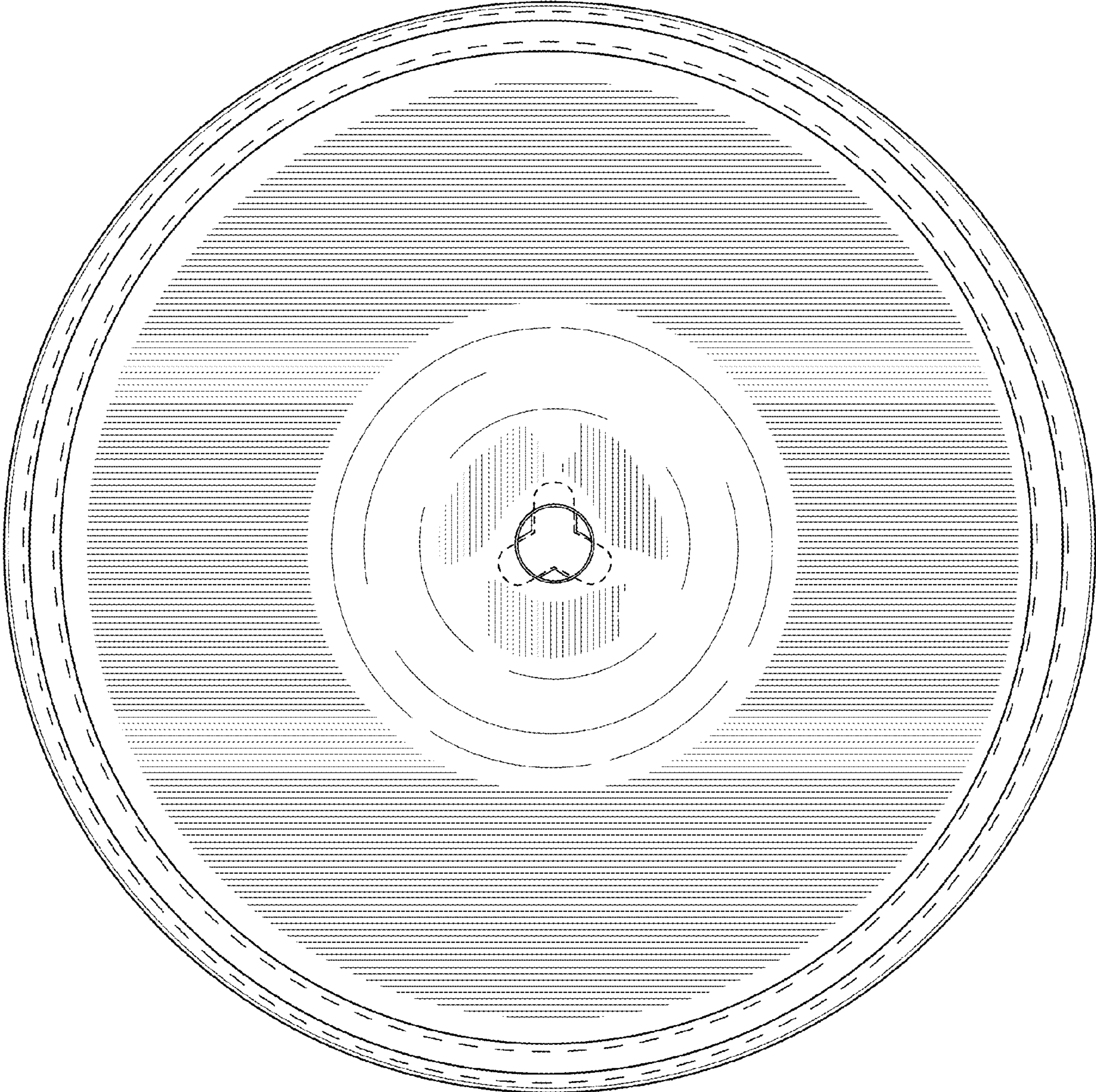


FIG.15

FIG.16

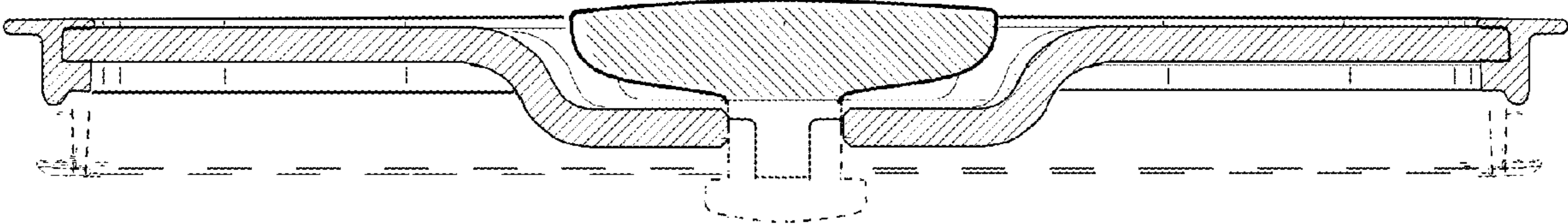


FIG.17

