



US00D973423S

(12) **United States Design Patent** (10) **Patent No.:** **US D973,423 S**  
**Kwon et al.** (45) **Date of Patent:** **\*\* Dec. 27, 2022**

(54) **BASTING POT**

(71) Applicant: **Helen of Troy Limited**, St. Michael (BB)

(72) Inventors: **James Kwon**, New Hyde Park, NY (US); **Samuel Wilson Moody Fear**, Mattituck, NY (US); **Sunny Kim**, Port Washington, NY (US)

(73) Assignee: **Helen of Troy Limited**, St. Michael (BB)

(\*\*) Term: **15 Years**

(21) Appl. No.: **29/759,582**

(22) Filed: **Nov. 24, 2020**

(51) **LOC (13) Cl.** ..... **07-02**

(52) **U.S. Cl.**  
USPC ..... **D7/361**

(58) **Field of Classification Search**  
USPC ..... D7/317, 318, 319, 320, 321, 322, 323, D7/354, 355, 356, 357, 358, 359, 360, D7/361, 365, 378, 379, 383, 384, 391, D7/392, 393, 394, 395, 396, 396.1, 402, D7/542, 543, 545, 552.1, 598, 600, 612, D7/622, 629, 642, 667; D10/46.2  
CPC ..... A47J 45/061; A47J 45/071; A47J 27/00; A47J 27/002; A47J 27/08; A47J 27/10; A47J 27/13; A47J 27/21; A47J 27/21175; A47J 27/58; A47J 36/025; A47J 36/06; A47J 36/08; A47J 36/12; A47J 37/00; A47J 37/10; A47J 37/101; A47J 37/103; A47J 37/12; A47J 37/1204; A47J 41/00; A47J 43/287; A47J 45/08; A47G 19/12; H05B 6/12; Y10S 220/912

See application file for complete search history.

(56) **References Cited**

**U.S. PATENT DOCUMENTS**

D185,772 S \* 7/1959 Mount ..... D7/312  
D237,133 S \* 10/1975 Cyren ..... D7/361

D435,995 S \* 1/2001 Mano ..... D7/317  
D442,736 S \* 5/2001 McGilvray ..... D7/533  
D479,090 S \* 9/2003 Backes ..... D7/316  
D496,827 S \* 10/2004 Bodum ..... D7/533  
D552,916 S \* 10/2007 Bodum ..... D7/316  
D584,912 S \* 1/2009 Green ..... D7/317

(Continued)

**FOREIGN PATENT DOCUMENTS**

CN 302786930 \* 4/2014  
GB 6138429 \* 5/2021  
WO WOD065375-015 \* 4/2009

**OTHER PUBLICATIONS**

BBQ Basting Pot, posted at Amazon.com on Jun. 14, 2018, [site visited May 4, 2022]. Available from internet, URL: <https://www.amazon.com/dp/B07DR81RTQ/> (Year: 2018).\*

(Continued)

*Primary Examiner* — Andrew Kerr  
*Assistant Examiner* — Chariton Alexakis  
(74) *Attorney, Agent, or Firm* — Rankin, Hill & Clark LLP

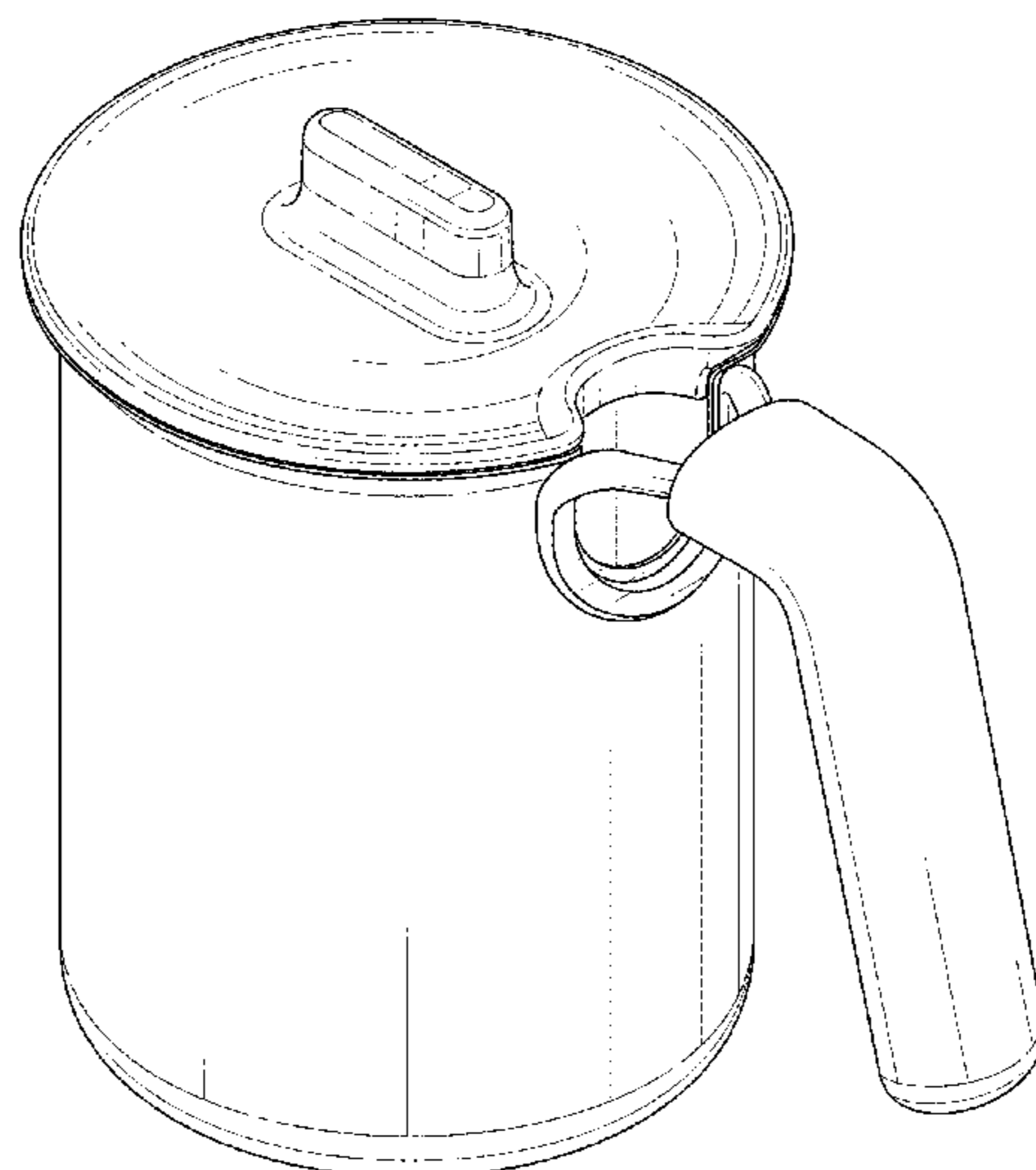
(57) **CLAIM**

The ornamental design for a basting pot, as shown and described.

**DESCRIPTION**

FIG. 1 is a top, right perspective view of a basting pot, showing our new design;  
FIG. 2 is a right side elevation view of FIG. 1;  
FIG. 3 is a left side elevation view of FIG. 1;  
FIG. 4 is a front elevation view of FIG. 1;  
FIG. 5 is a rear elevation view of FIG. 1;  
FIG. 6 is a top plan view of FIG. 1; and,  
FIG. 7 is a bottom plan view of FIG. 1.  
The broken lines in the drawings depict portions of the basting pot that form no part of the claimed design.

**1 Claim, 6 Drawing Sheets**



(56)

**References Cited**

U.S. PATENT DOCUMENTS

D596,451 S *	7/2009	Wu .....	D7/361
D613,988 S *	4/2010	Lane .....	D7/317
D619,847 S *	7/2010	Lin .....	D7/354
D653,902 S *	2/2012	Chen .....	D7/354
D683,175 S *	5/2013	Adams .....	D7/312
D688,909 S *	9/2013	Chapman .....	D7/317
D691,409 S *	10/2013	Dichraff .....	D7/317
D738,669 S *	9/2015	Brook .....	D7/317
D802,358 S *	11/2017	Jossem .....	D7/378
D938,776 S *	12/2021	Hayon .....	D7/378

OTHER PUBLICATIONS

OXO Good Grips Grilling Basting Pot, posted at Amazon.com on Dec. 22, 2020, [site visited Apr. 5, 2022]. Available from internet, URL: <<https://www.amazon.com/OXO-Grips-Grilling-Tools-Basting/dp/B08R6D3DF2/>> (Year: 2020).\*

\* cited by examiner

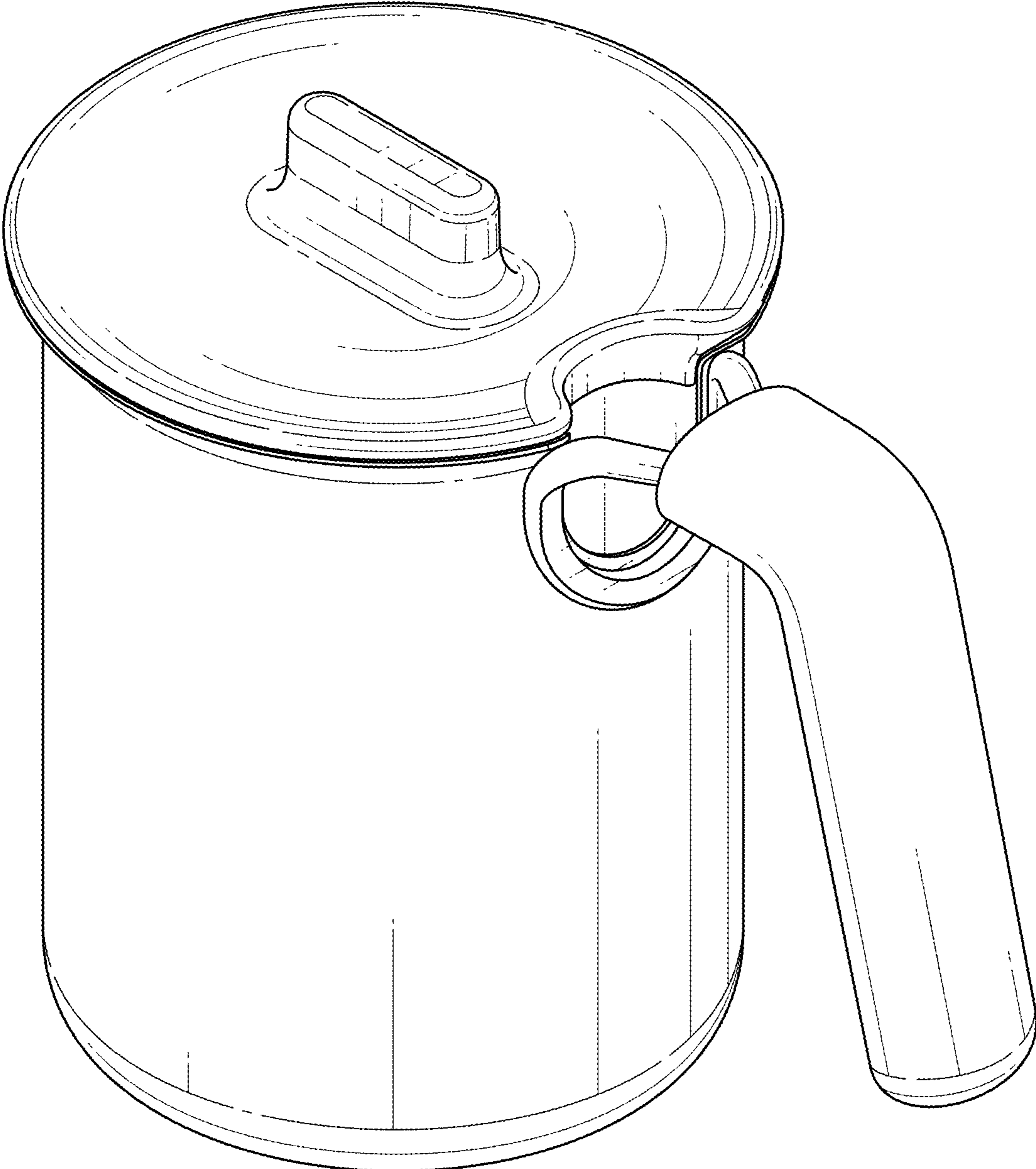


FIG. 1

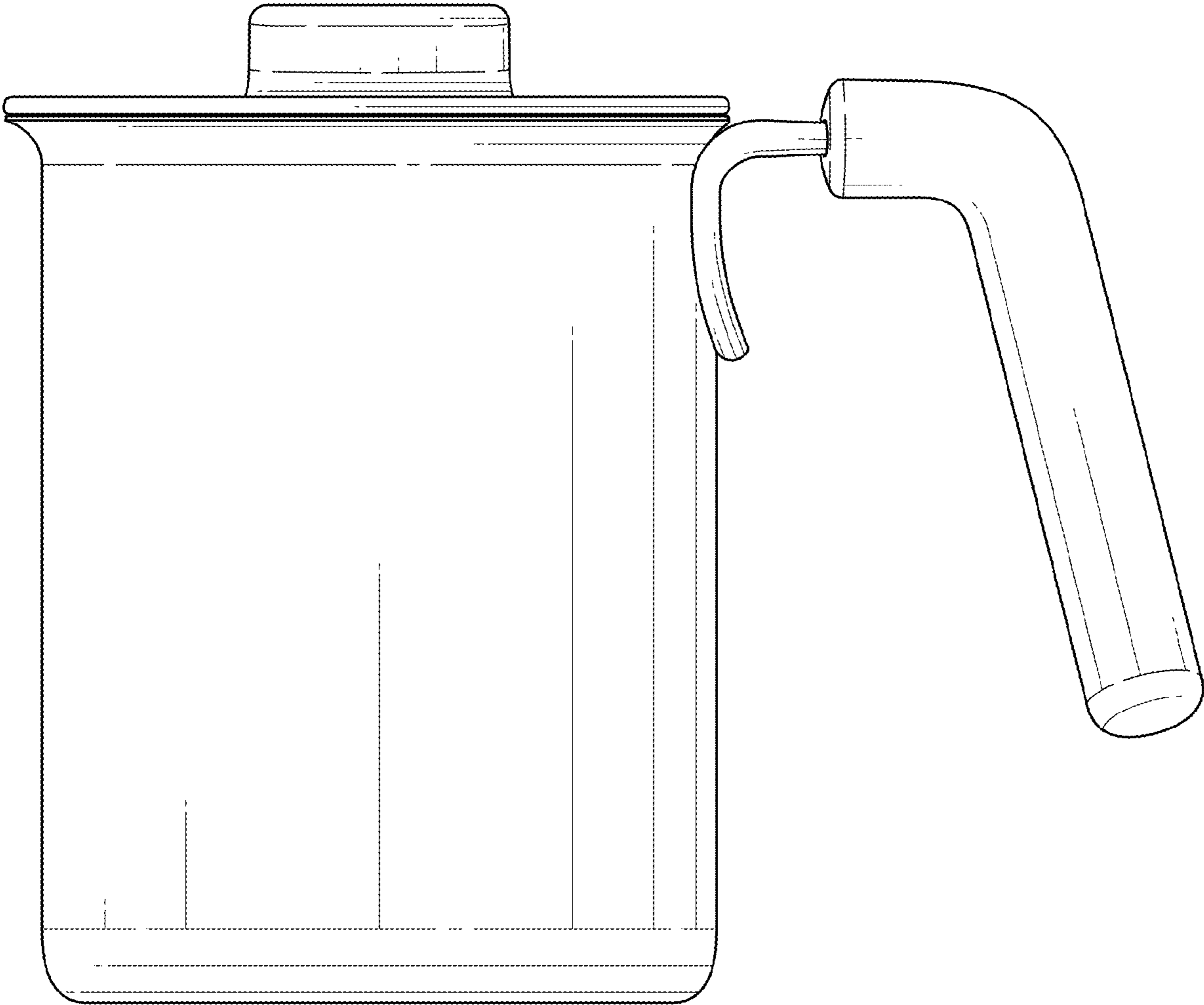


FIG. 2

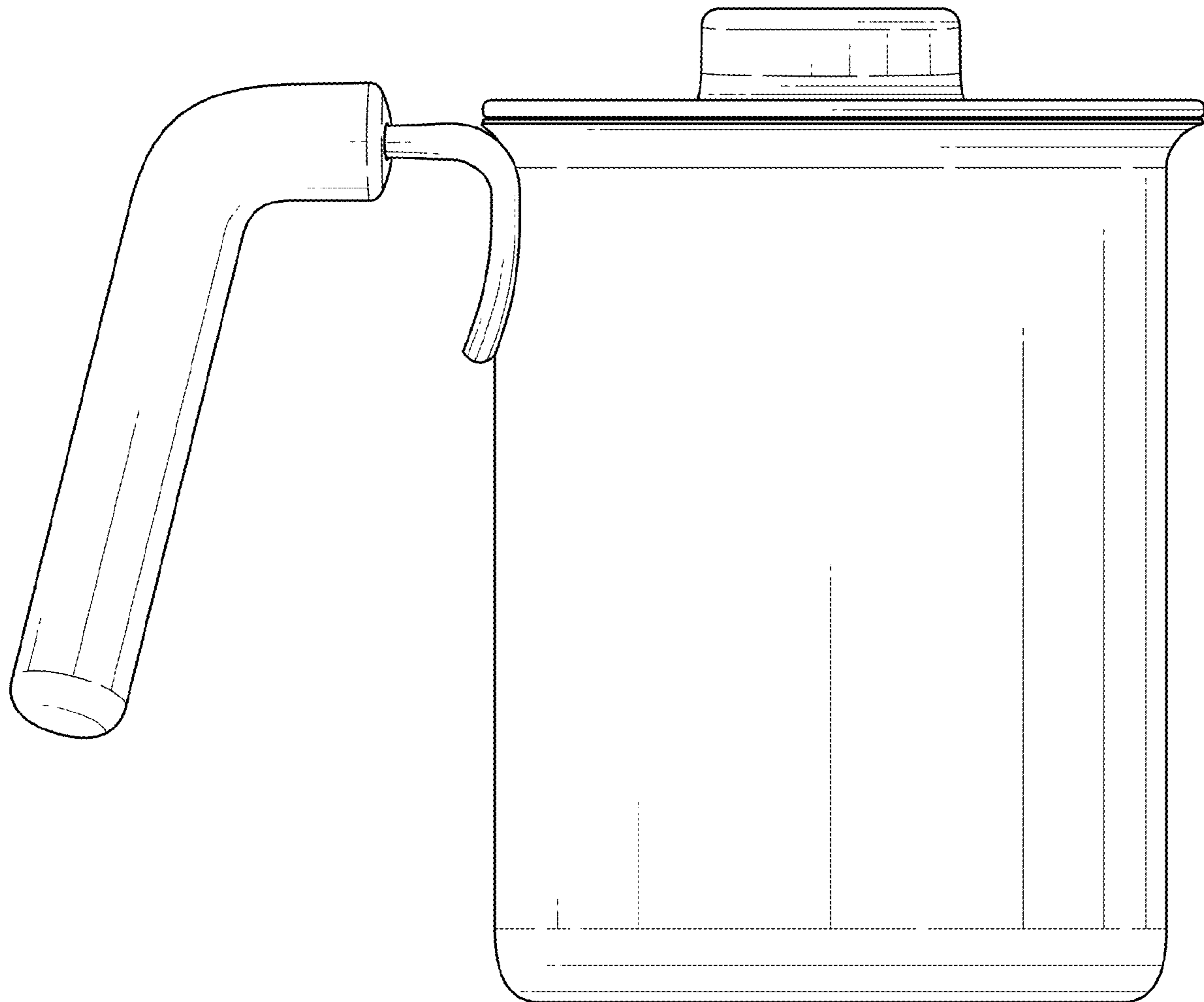


FIG. 3

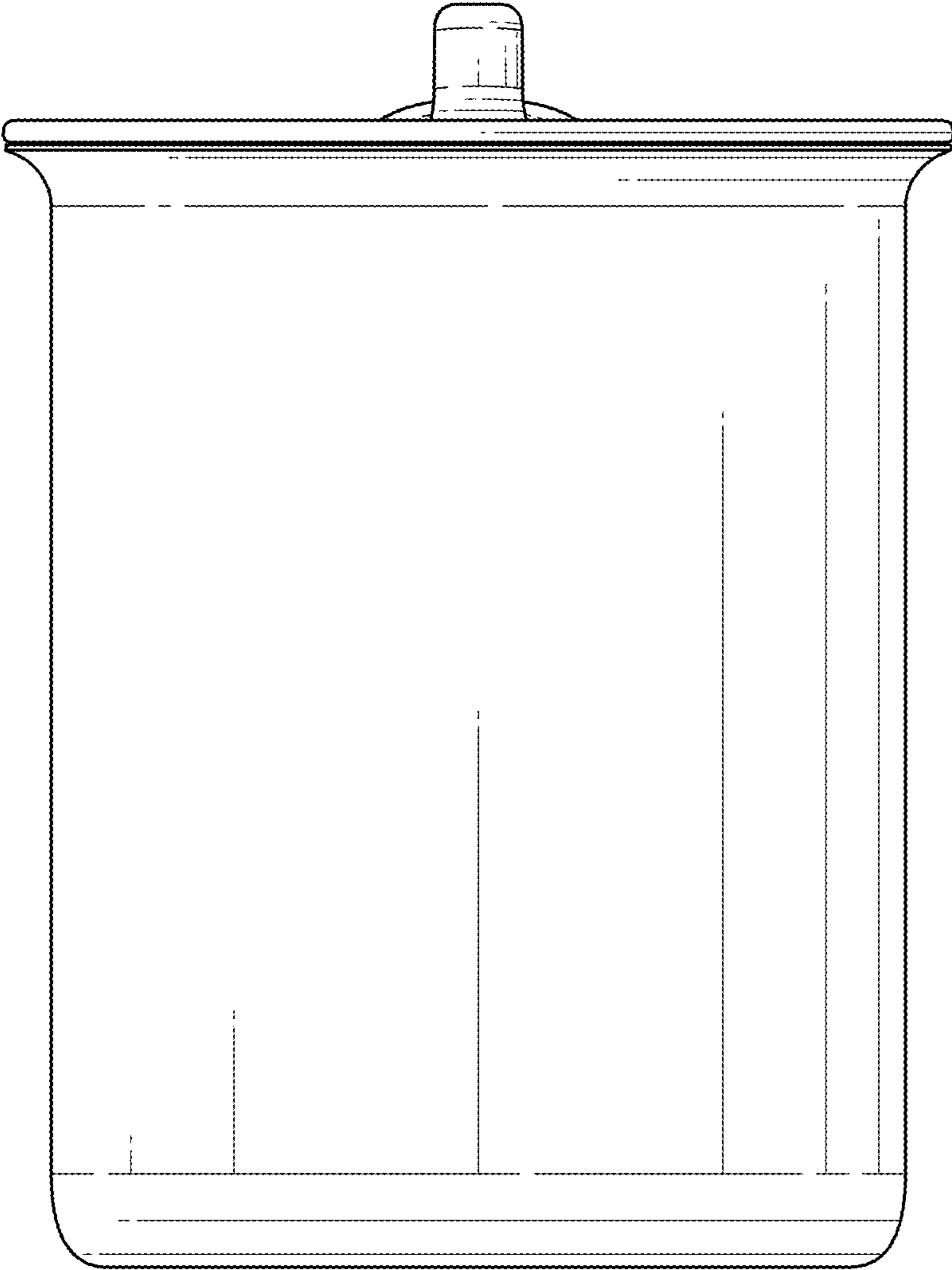


FIG. 4

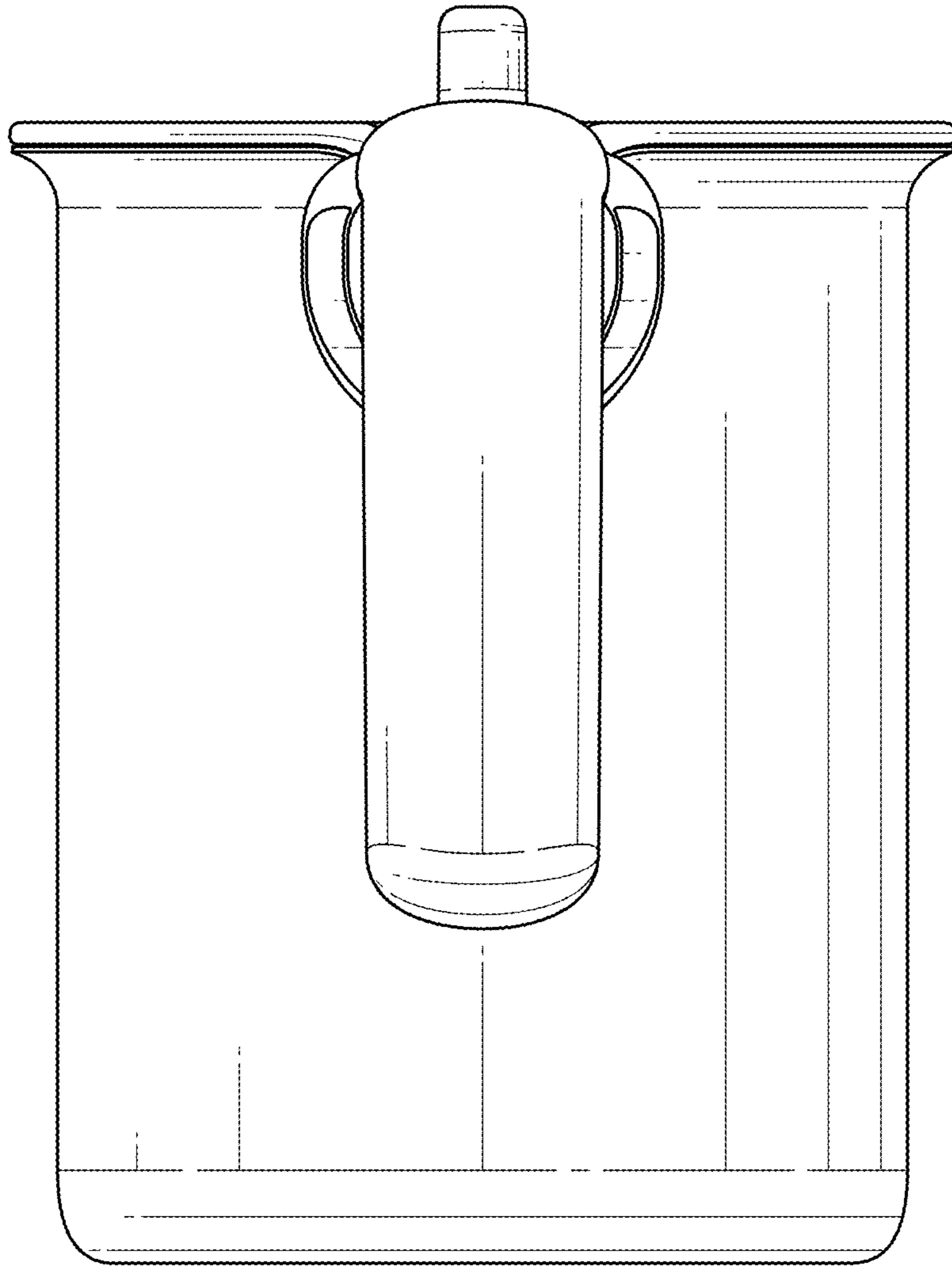


FIG. 5

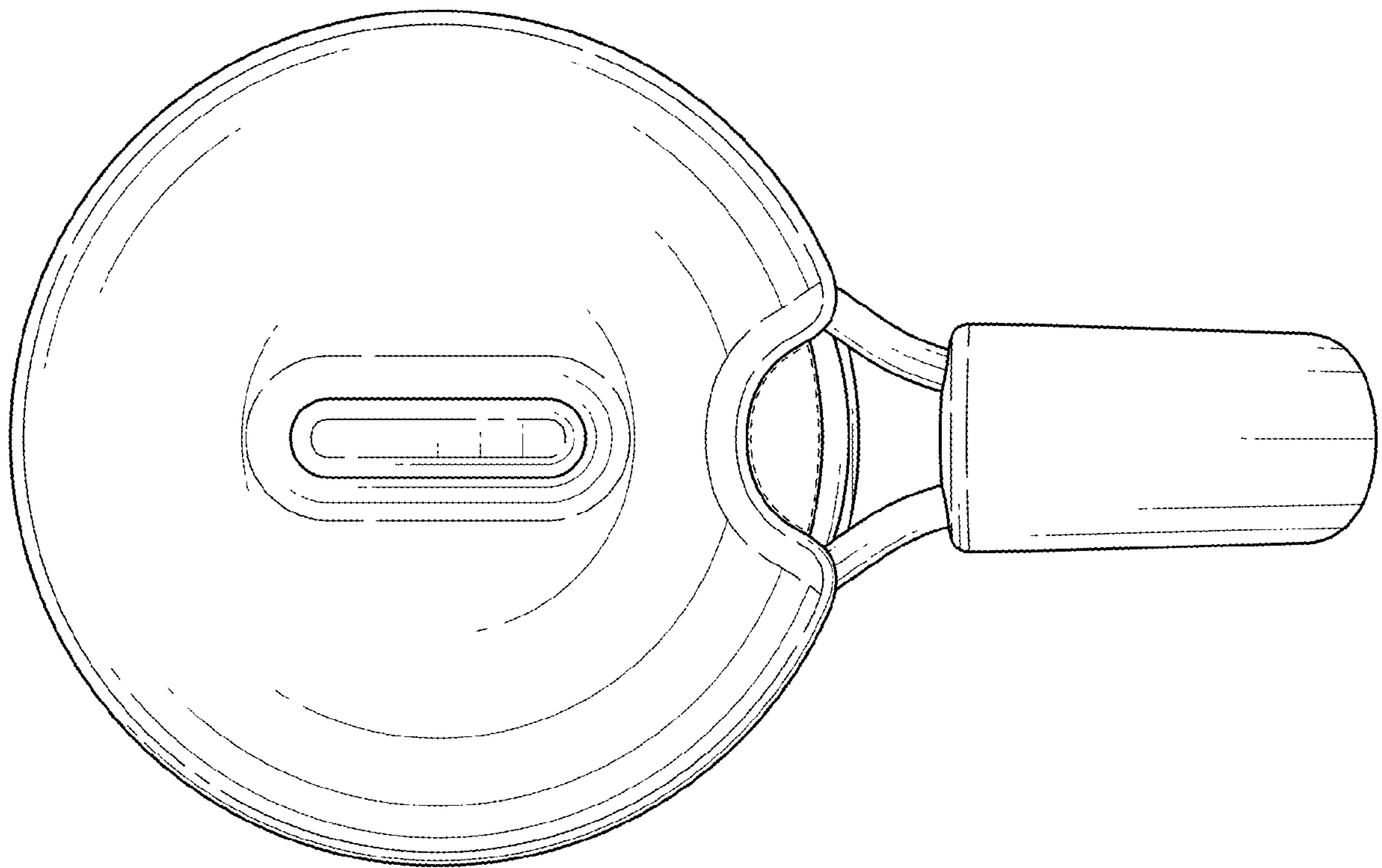


FIG. 6

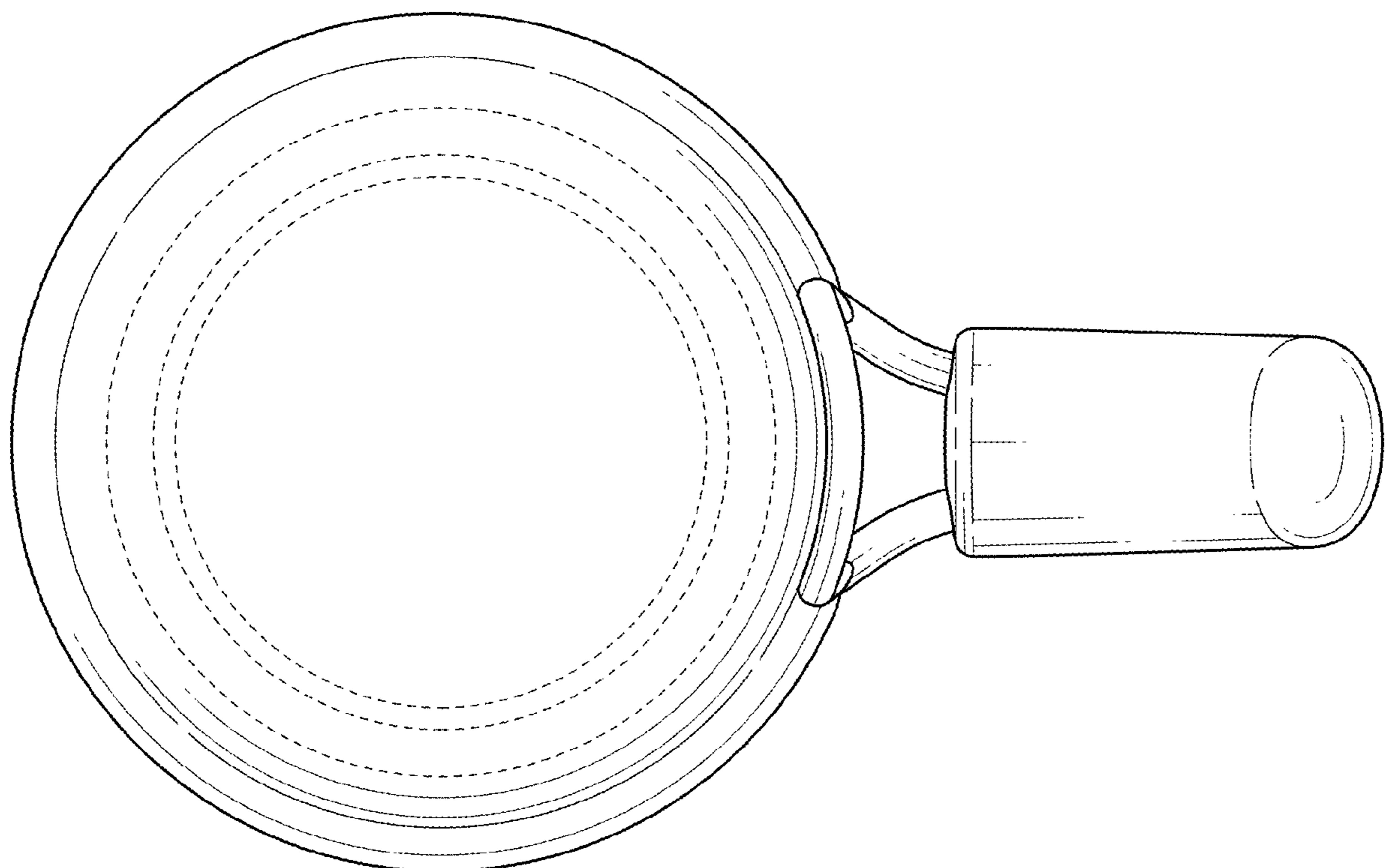


FIG. 7