



US00D973422S

(12) **United States Design Patent** (10) **Patent No.:** **US D973,422 S**
Piksa (45) **Date of Patent:** **** Dec. 27, 2022**

(54) **PAN**
(71) Applicant: **Thane IP Limited**, Portsmouth (GB)
(72) Inventor: **Jelenko Piksa**, Toronto (CA)
(73) Assignee: **Thane IP Limited**, Portsmouth (GB)
(**) Term: **15 Years**
(21) Appl. No.: **29/788,452**
(22) Filed: **May 28, 2021**
(51) **LOC (13) Cl.** **07-02**
(52) **U.S. Cl.**
USPC **D7/360**
(58) **Field of Classification Search**
USPC D7/323, 354, 355, 356, 357, 358, 359,
D7/360, 361, 363, 387, 393, 394, 395
CPC A47J 37/10; A47J 37/105; A47J 36/025;
A47J 45/061
See application file for complete search history.

(56) **References Cited**
U.S. PATENT DOCUMENTS
D254,355 S * 3/1980 Ottier D7/545
D296,640 S * 7/1988 Miller D7/545
4,845,893 A * 7/1989 Racine A47J 27/002
220/639
D325,684 S * 4/1992 Deare D30/129
D391,440 S * 3/1998 Cousins D7/545
D438,050 S * 2/2001 Huntzinger D7/354
D824,203 S * 7/2018 Lee D7/359
(Continued)

FOREIGN PATENT DOCUMENTS
CN 301289264 * 7/2010
CN 301443241 * 1/2011
(Continued)

OTHER PUBLICATIONS
BergHoff Cast Iron Skillet, posted Oct. 14, 2020 [online], [retrieved Aug. 1, 2022]. Retrieved from internet, <https://www.amazon.com/>

BergHOFF-Ron-piece-Tajine-Green/dp/B08L6PD473/ref=sr_1_8?crid=3DQ3WYCM7DZBG&keywords=berghoff+skillet+green&qid=1659379161&srefix=bergoft+skillet+green%2Caps%2C97&sr=8-8 (Year: 2020).*

(Continued)

Primary Examiner — Nicole C Shiflet
Assistant Examiner — Yen Le Southwood
(74) *Attorney, Agent, or Firm* — Bereskin & Parr LLP

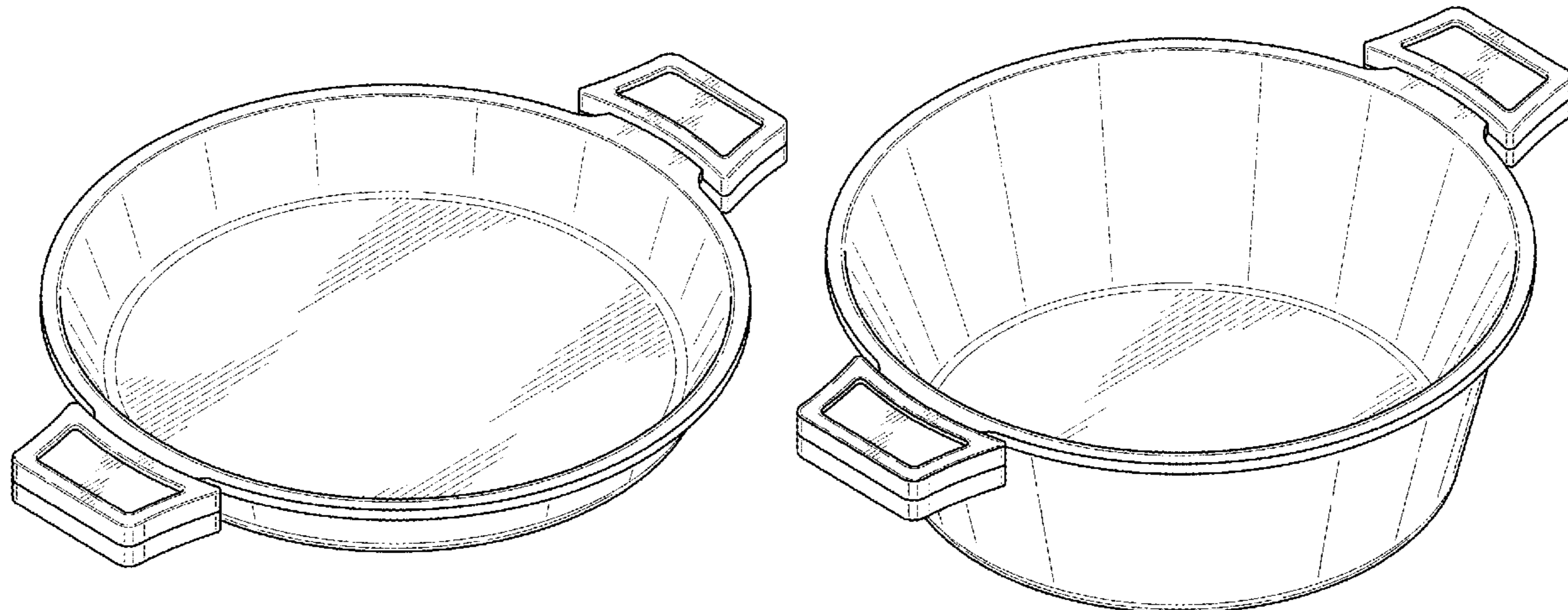
(57) **CLAIM**

I claim the ornamental design for a pan, as shown and described.

DESCRIPTION

FIG. 1 is a perspective view of a pan showing a first embodiment.
FIG. 2 is a right side view of the pan shown in FIG. 1.
FIG. 3 is a left side view of the pan shown in FIG. 1.
FIG. 4 is a front view of the pan shown in FIG. 1; the rear view is a mirror image thereof.
FIG. 5 is a top view of the pan shown in FIG. 1.
FIG. 6 is a bottom view of the pan shown in FIG. 1.
FIG. 7 is a perspective view of a pan showing a second embodiment.
FIG. 8 is a right side view of the pan shown in FIG. 7.
FIG. 9 is a left side view of the pan shown in FIG. 7.
FIG. 10 is a front view of the pan shown in FIG. 7; the rear view is a mirror image thereof.
FIG. 11 is a top view of the pan shown in FIG. 7.
FIG. 12 is a bottom view of the pan shown in FIG. 7.
FIG. 13 is a perspective view of a pan showing a third embodiment.
FIG. 14 is a right side view of the pan shown in FIG. 13.
FIG. 15 is a left side view of the pan shown in FIG. 13.
FIG. 16 is a front view of the pan shown in FIG. 13; the rear view is a mirror image thereof.
FIG. 17 is a top view of the pan shown in FIG. 13; and,
FIG. 18 is a bottom view of the pan shown in FIG. 13.

1 Claim, 15 Drawing Sheets



(56)

References Cited

U.S. PATENT DOCUMENTS

D914,436 S	*	3/2021	Gill	D7/354
D915,124 S	*	4/2021	Vallee	D7/354
D951,005 S	*	5/2022	Ins	D7/354
D951,696 S	*	5/2022	Li	D7/354
D952,395 S	*	5/2022	Li	D7/354
D957,189 S	*	7/2022	Reiner	D7/402
D958,585 S	*	7/2022	Daniel	D7/360

FOREIGN PATENT DOCUMENTS

CN	301652162	*	8/2011
CN	305375265	*	10/2019
EM	008303630-0002	*	1/2021
EM	008303630-0003	*	1/2021
EM	008303630-0005	*	1/2021
EM	008303630-0006	*	1/2021
EM	008303630-0008	*	1/2021
EM	008303630-0009	*	1/2021
GB	6098732	*	8/2020
JP	D1473119	*	6/2013

OTHER PUBLICATIONS

Koov Ceramic Casserole Dish, posted May 10, 2021 [online], [retrieved Aug. 1, 2022]. Retrieved from internet, https://www.amazon.com/KOOV-Ceramic-Casserole-Cookware-Reactive/dp/B094JDX5M1/ref=sr_1_4?keywords=white+ceramic+casserole+with+lid&qid=1659379606&sr=8-4 (Year: 2021).*

BergHoff Leo Stock Pot, posted date unknown [online], [retrieved Aug. 1, 2022]. Retrieved from internet, <https://www.homedepot.com/p/BergHOFF-Leo-6-5-qt-Aluminum-Nonstick-Stock-Pot-in-Grey-with-Glass-Lid-3950170/312633525>.*

Cristel Strate Collction, posted date May 1, 2013 [online], [retrieved Aug. 4, 2022]]. Retrieved from internet, <https://www.amazon.com/Cristel-Strate-STQL13KSAS-Handles-Silver/dp/B00CL0VAWY> (Year: 2013).*

FlavorCast Cookware, posted Feb. 22, 2021 [online], [retrieved Aug. 4, 2022]. Retrieved from internet, <https://www.amazon.com/FlavorCast-Deluxe-Lightweight-Stackable-Cookware/dp/B08X6BWJCK> (Year: 2021).*

* cited by examiner

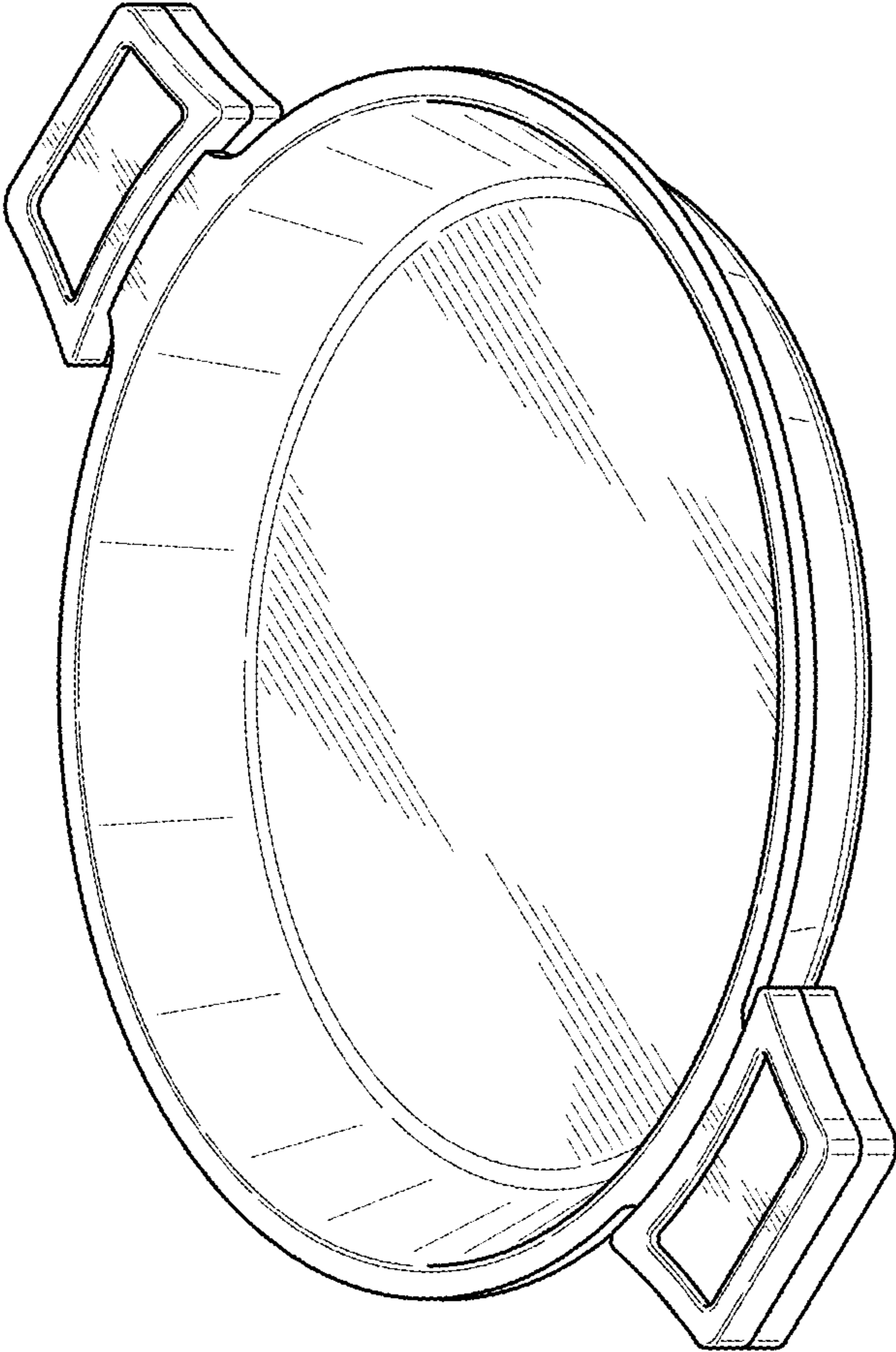


FIG. 1

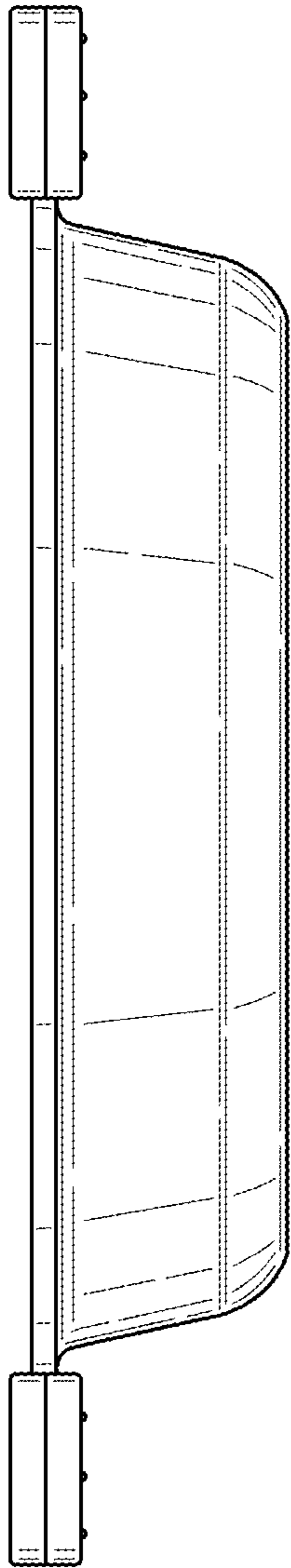


FIG. 2

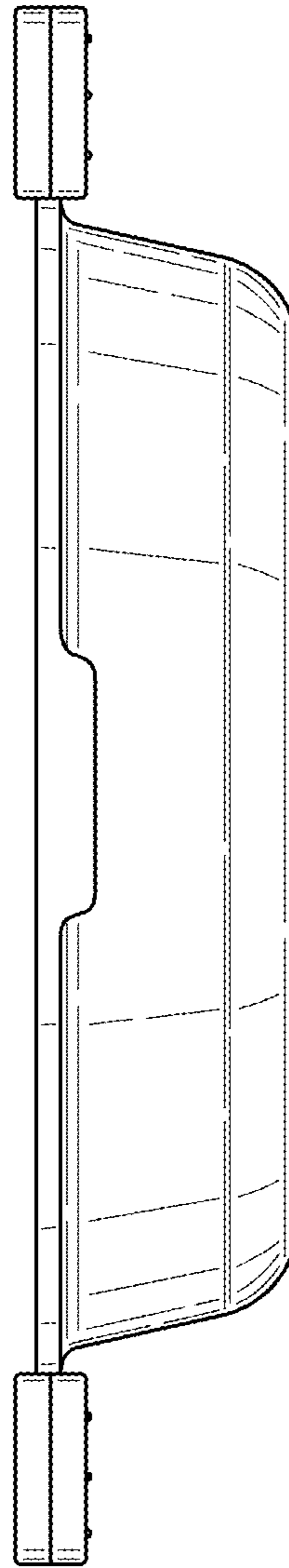


FIG. 3

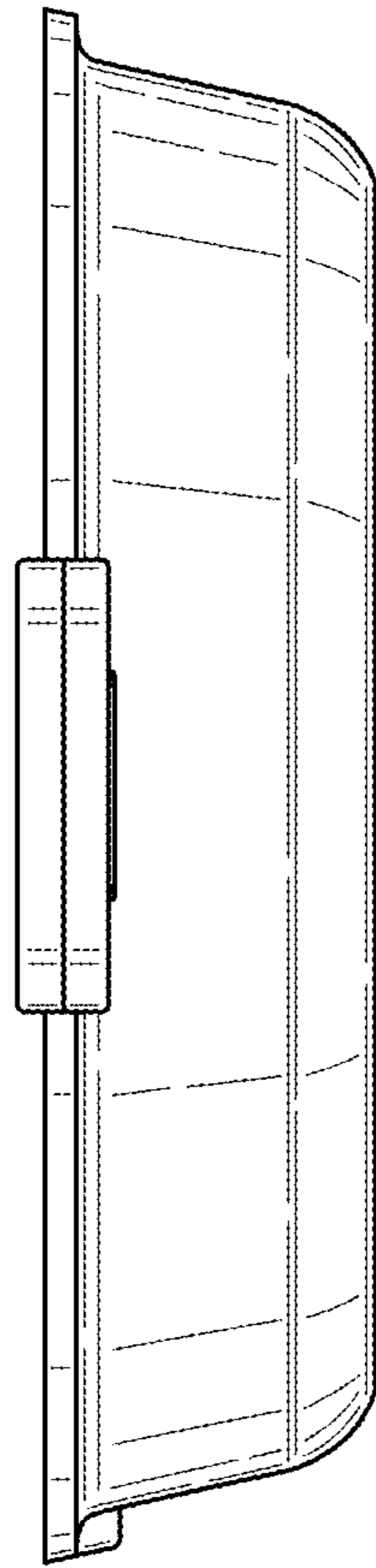


FIG. 4

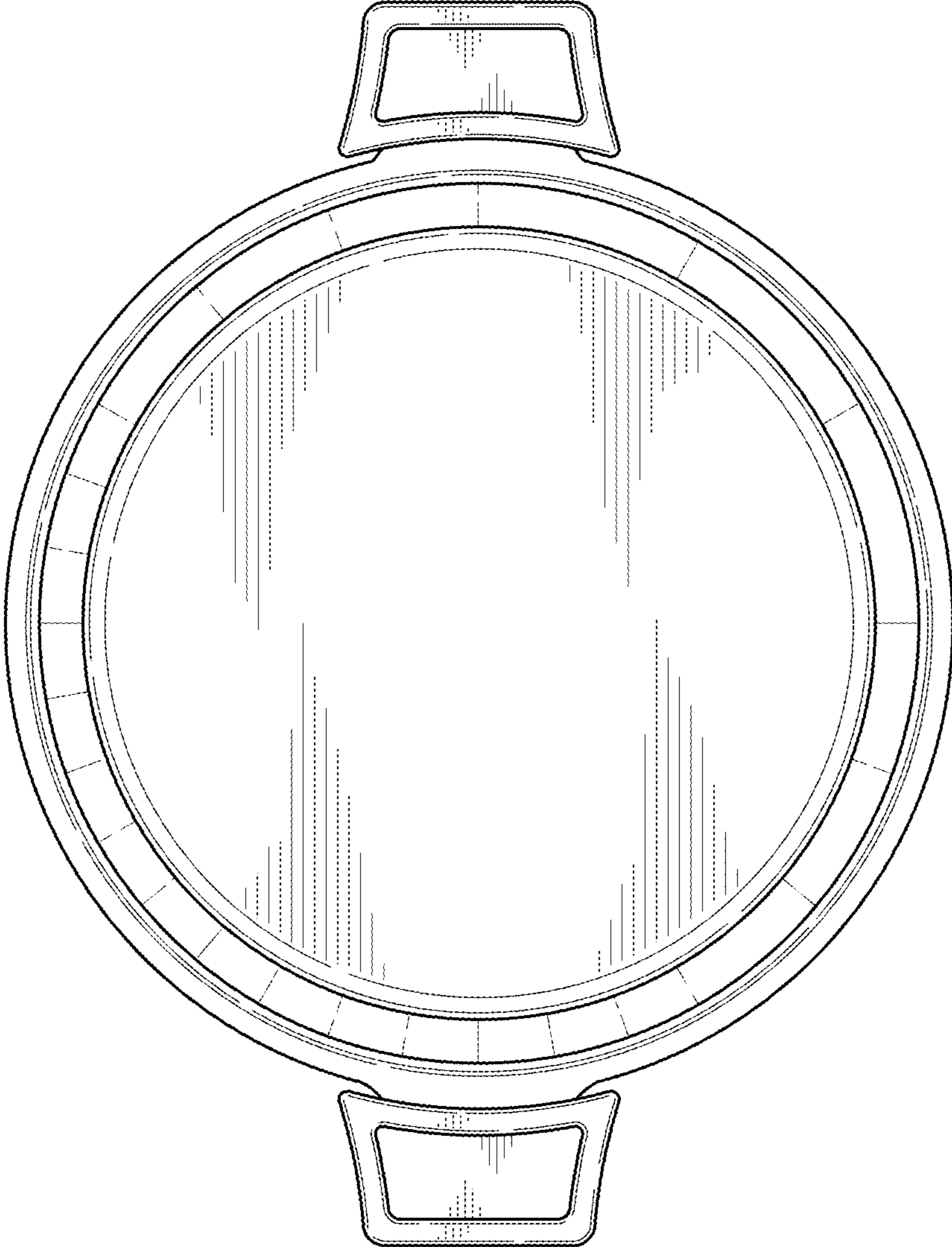


FIG. 5

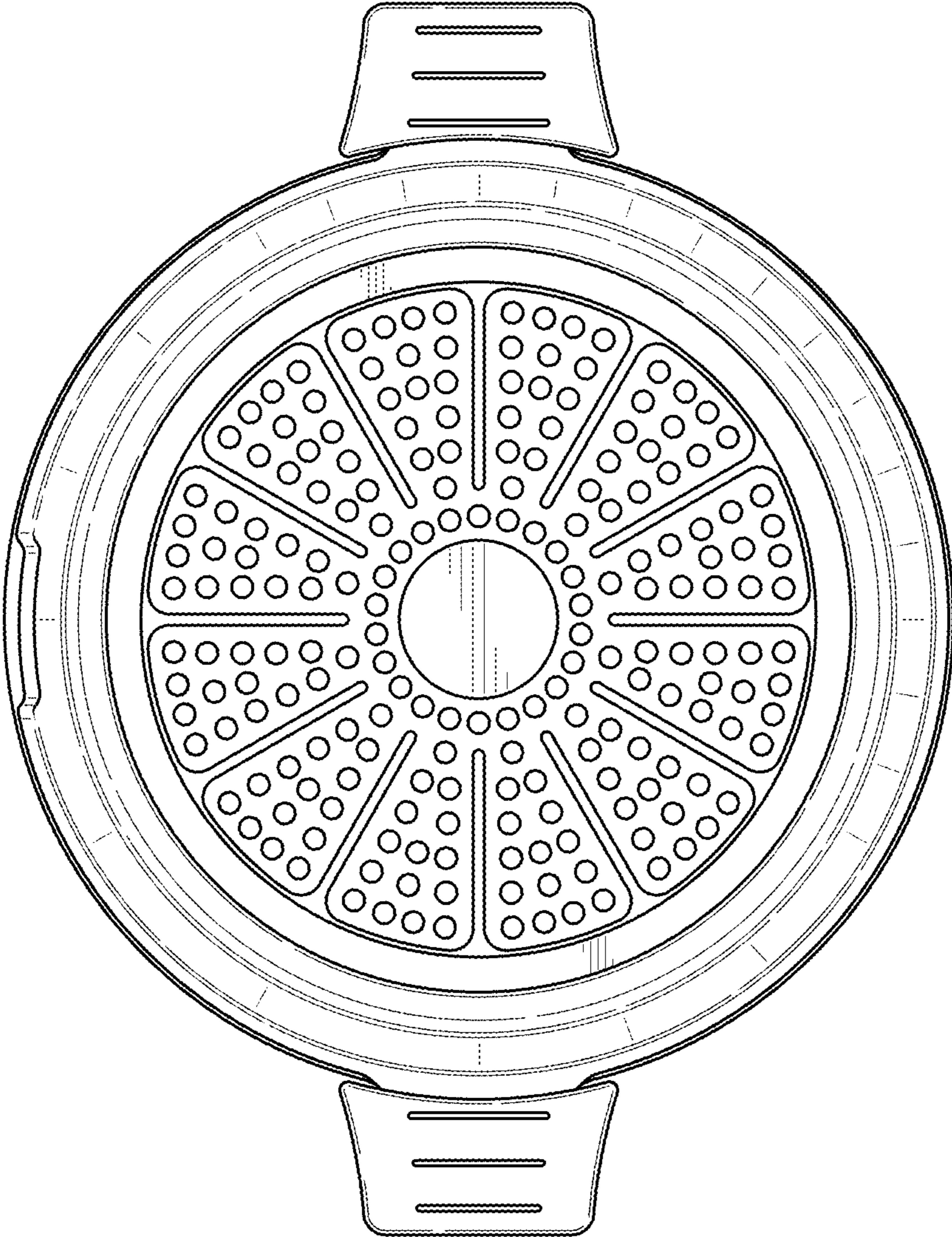


FIG. 6

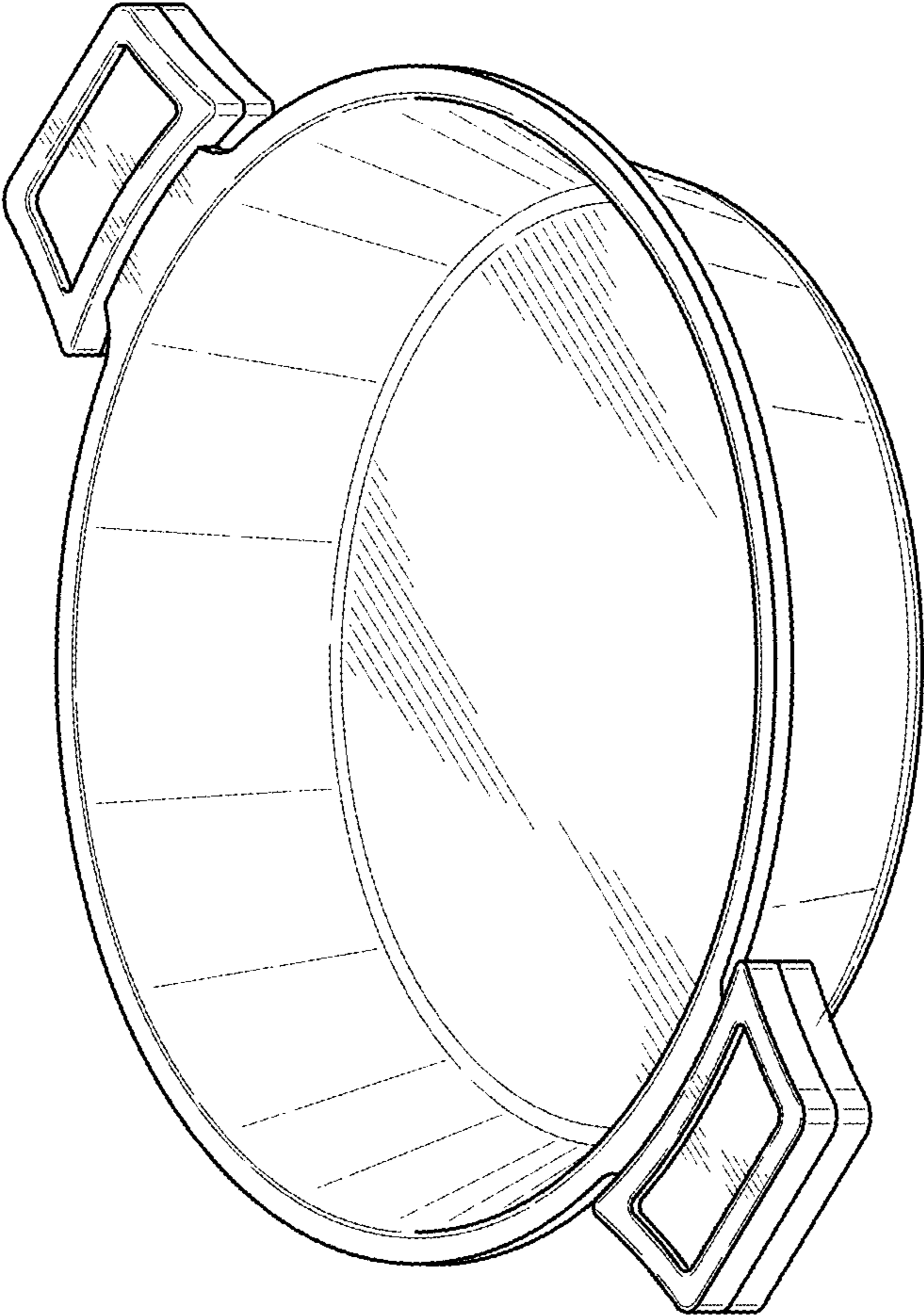


FIG. 7

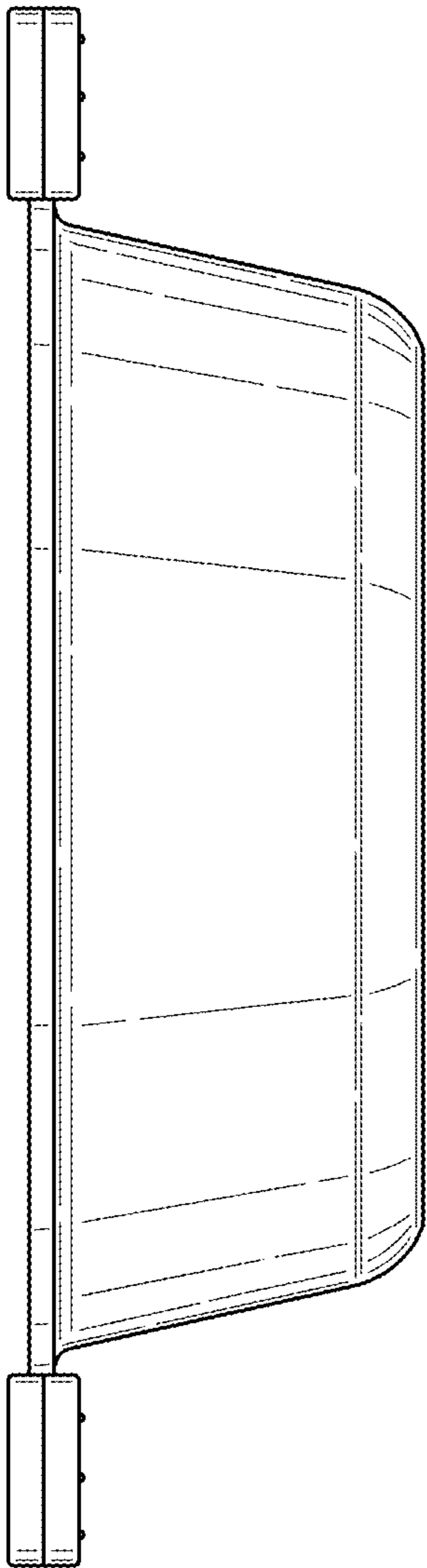


FIG. 8

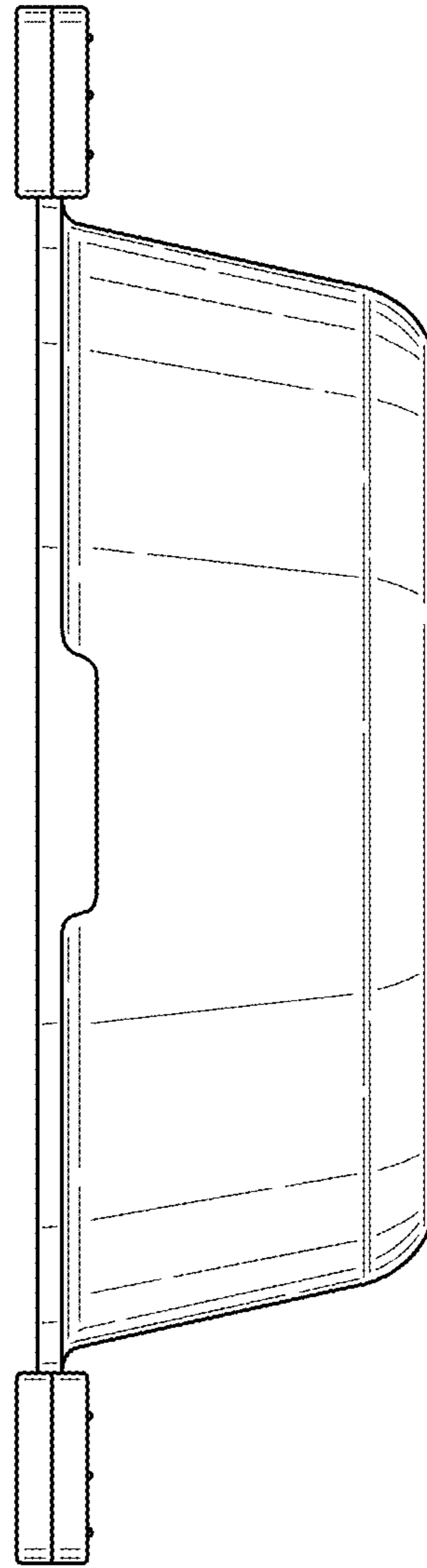


FIG. 9

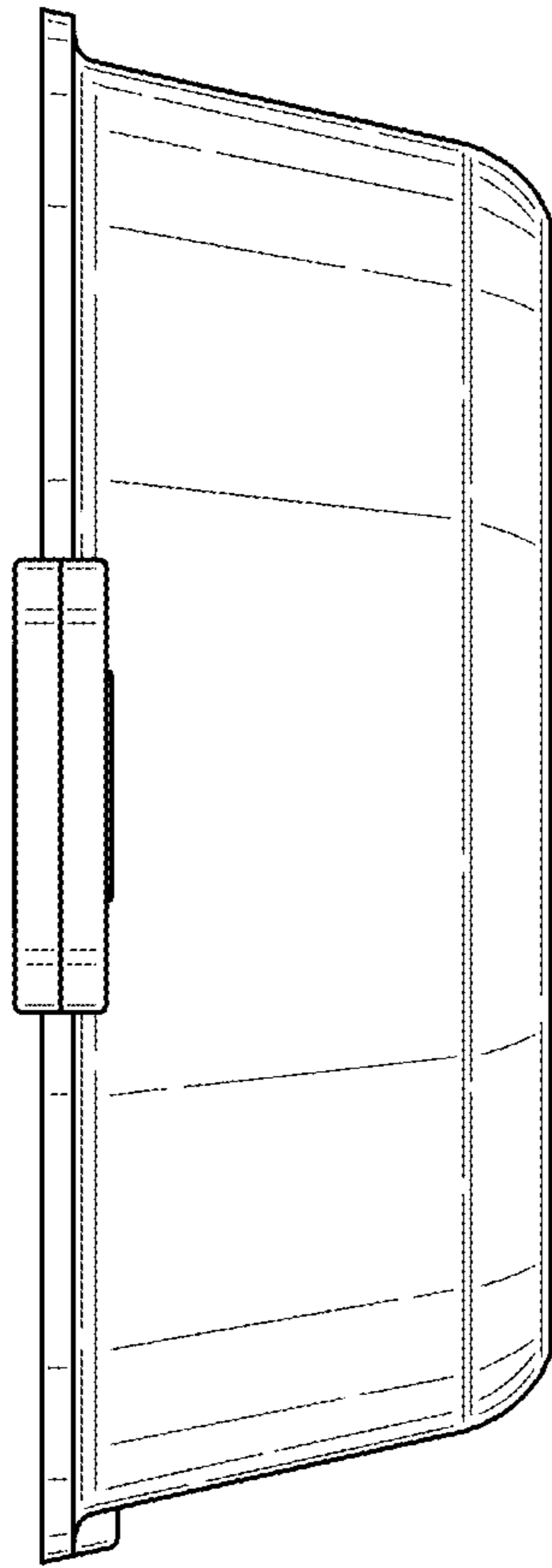


FIG. 10

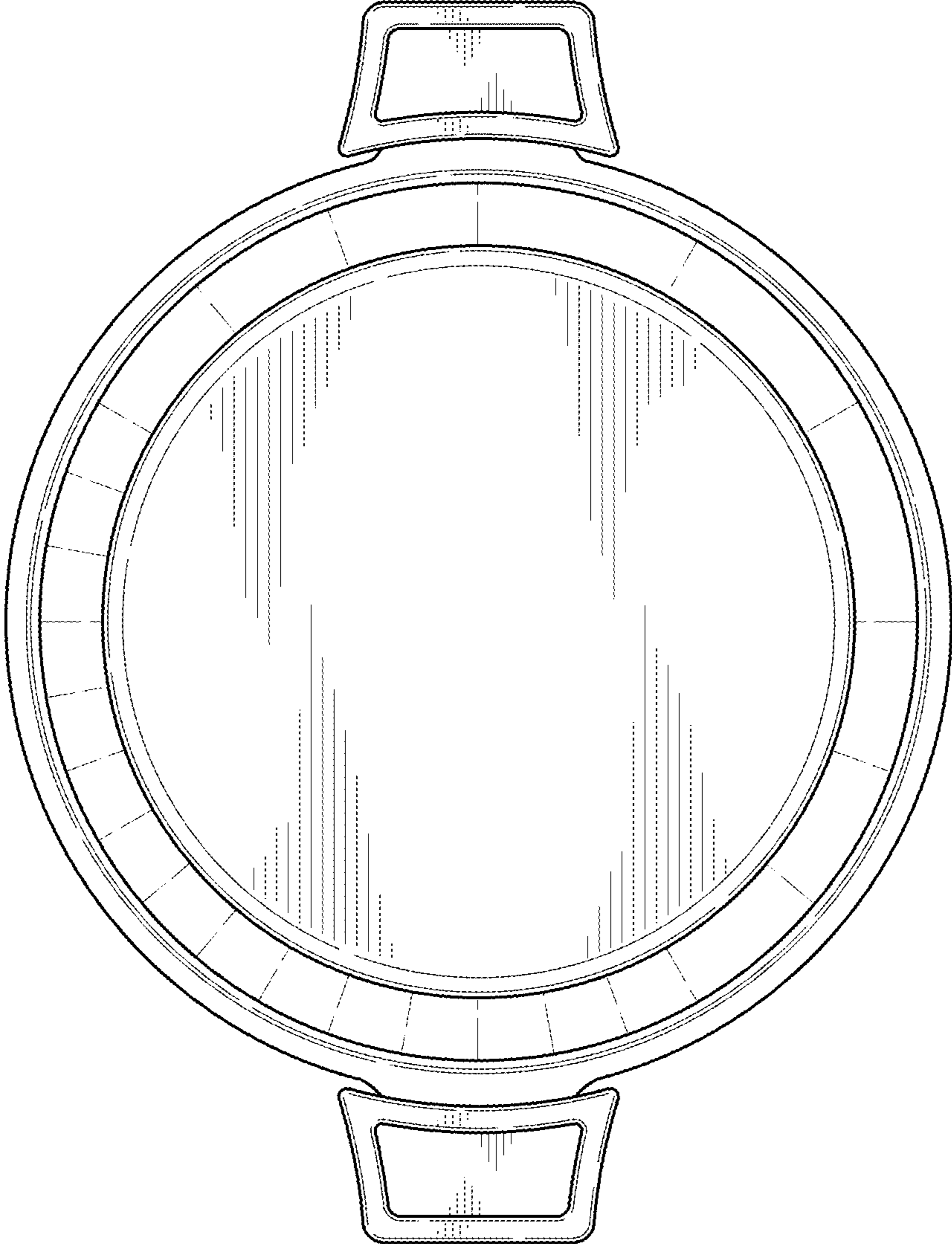


FIG. 11

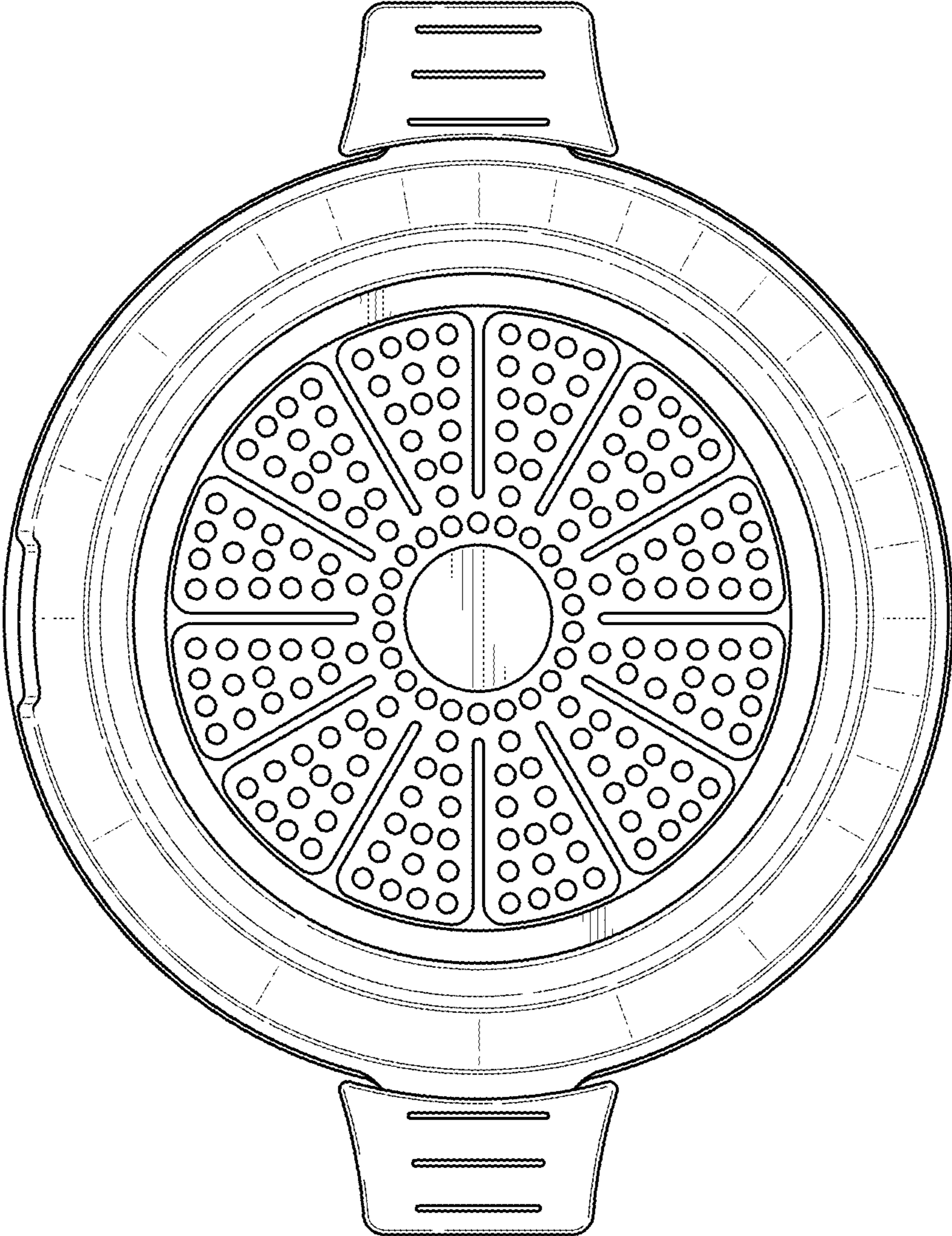


FIG. 12

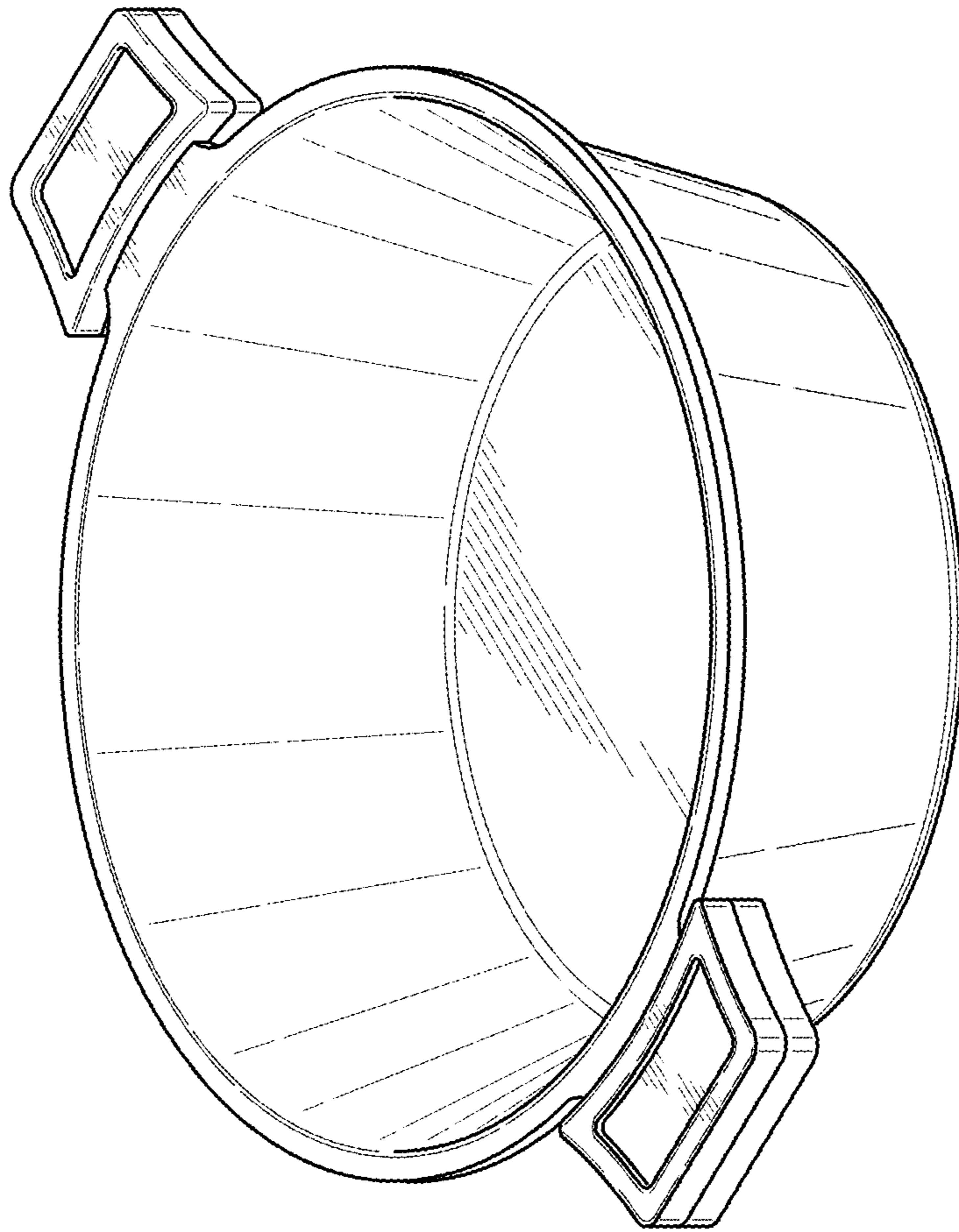


FIG. 13

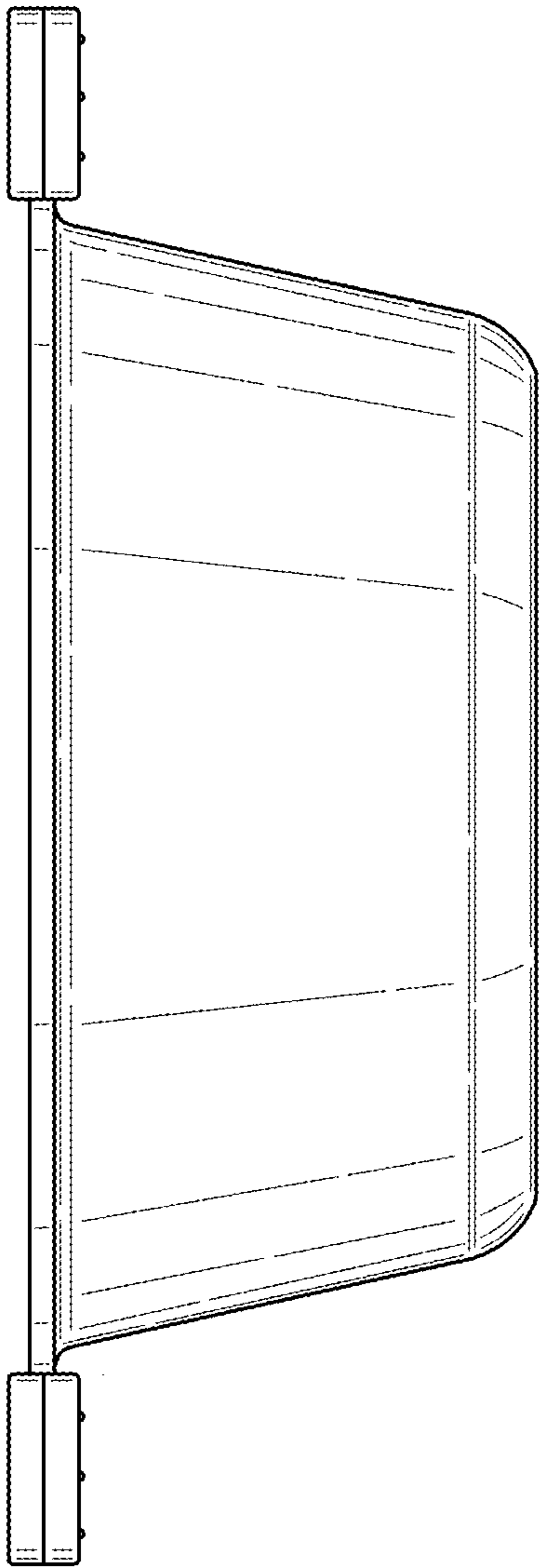


FIG. 14

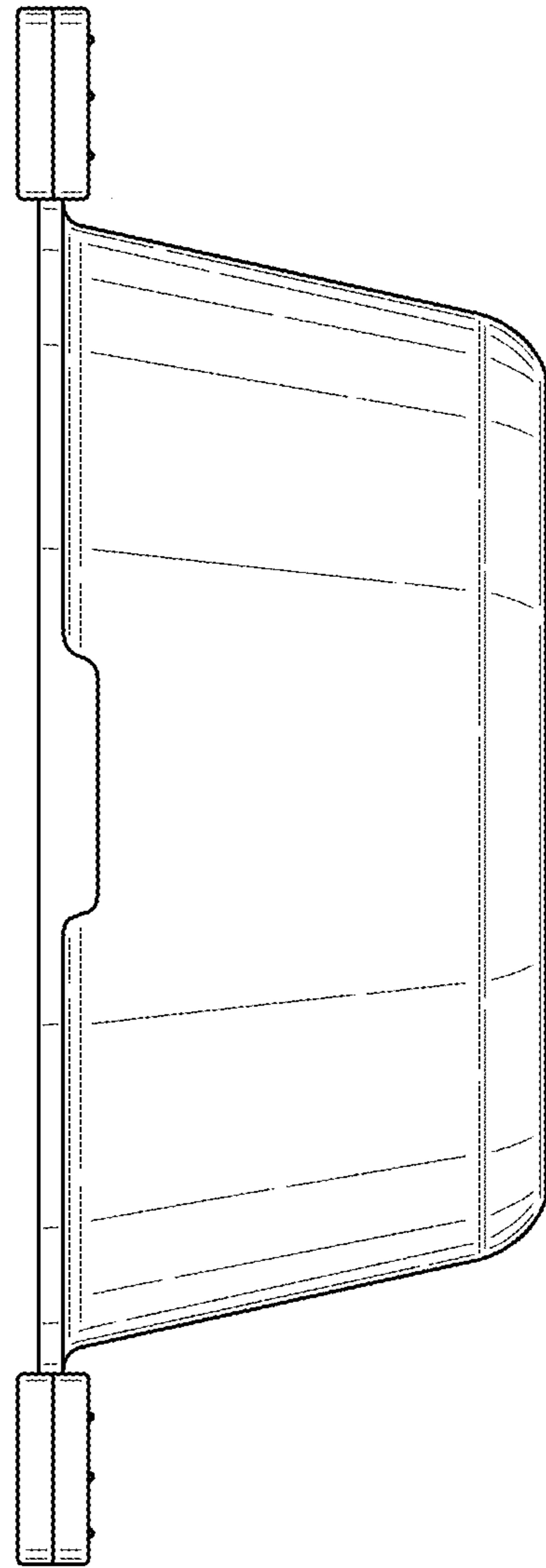


FIG. 15

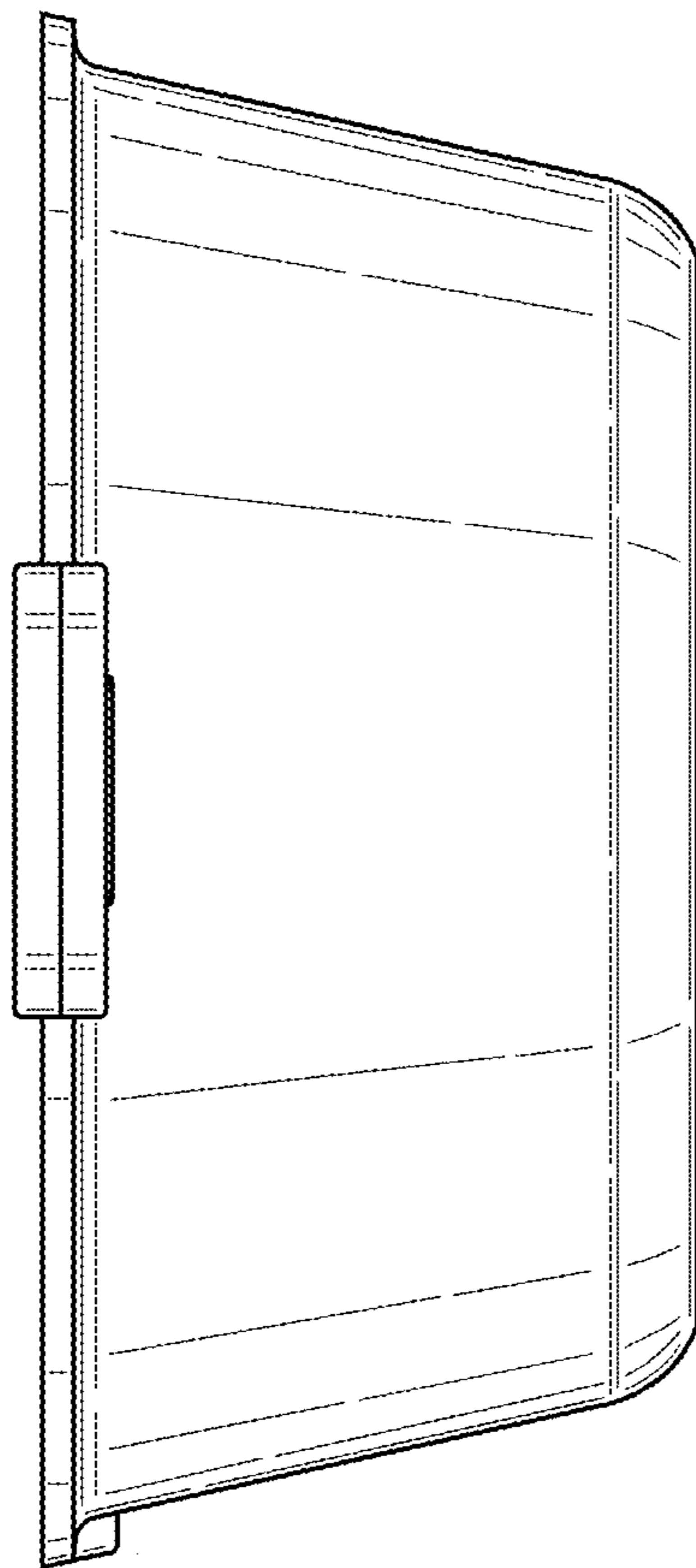


FIG. 16

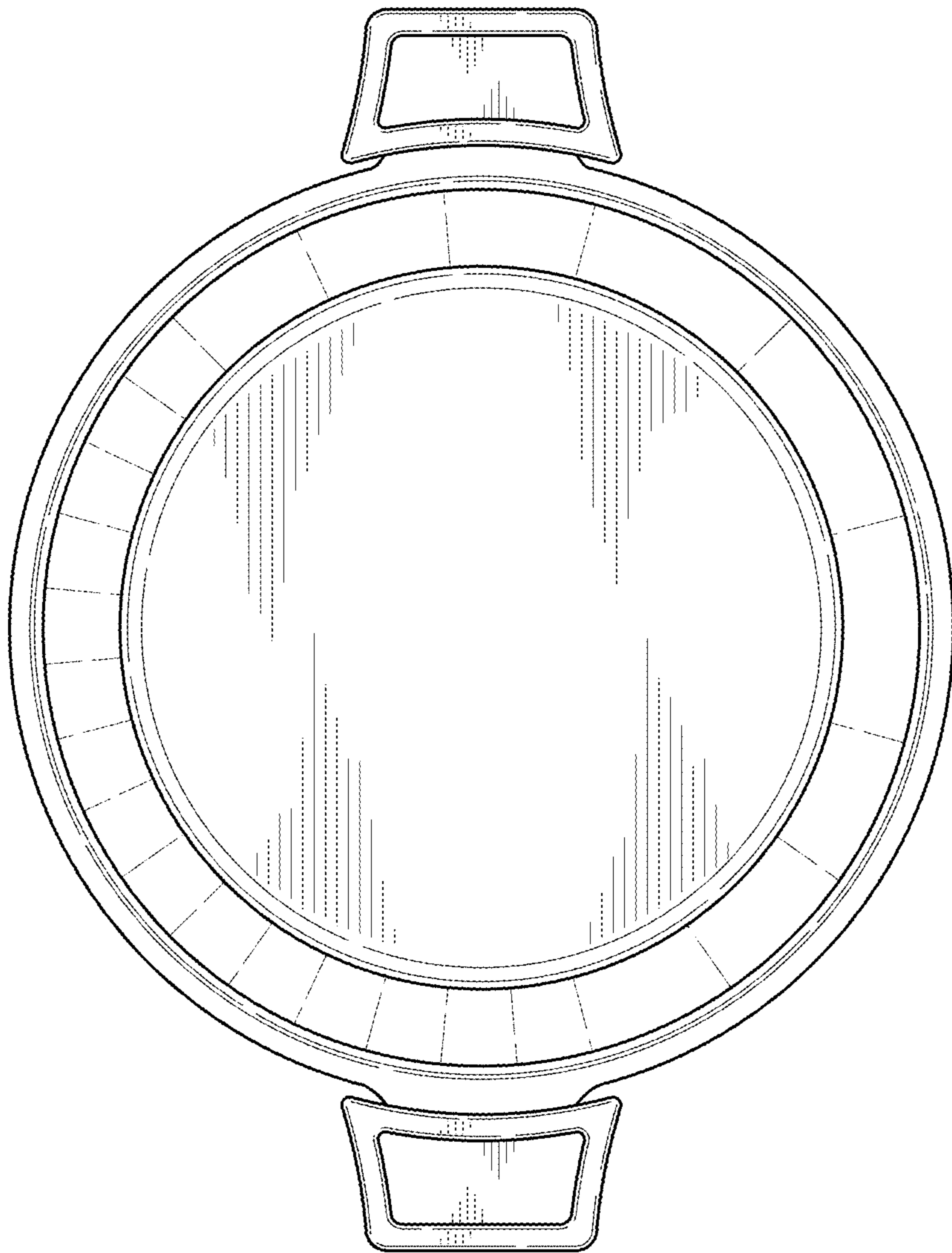


FIG. 17

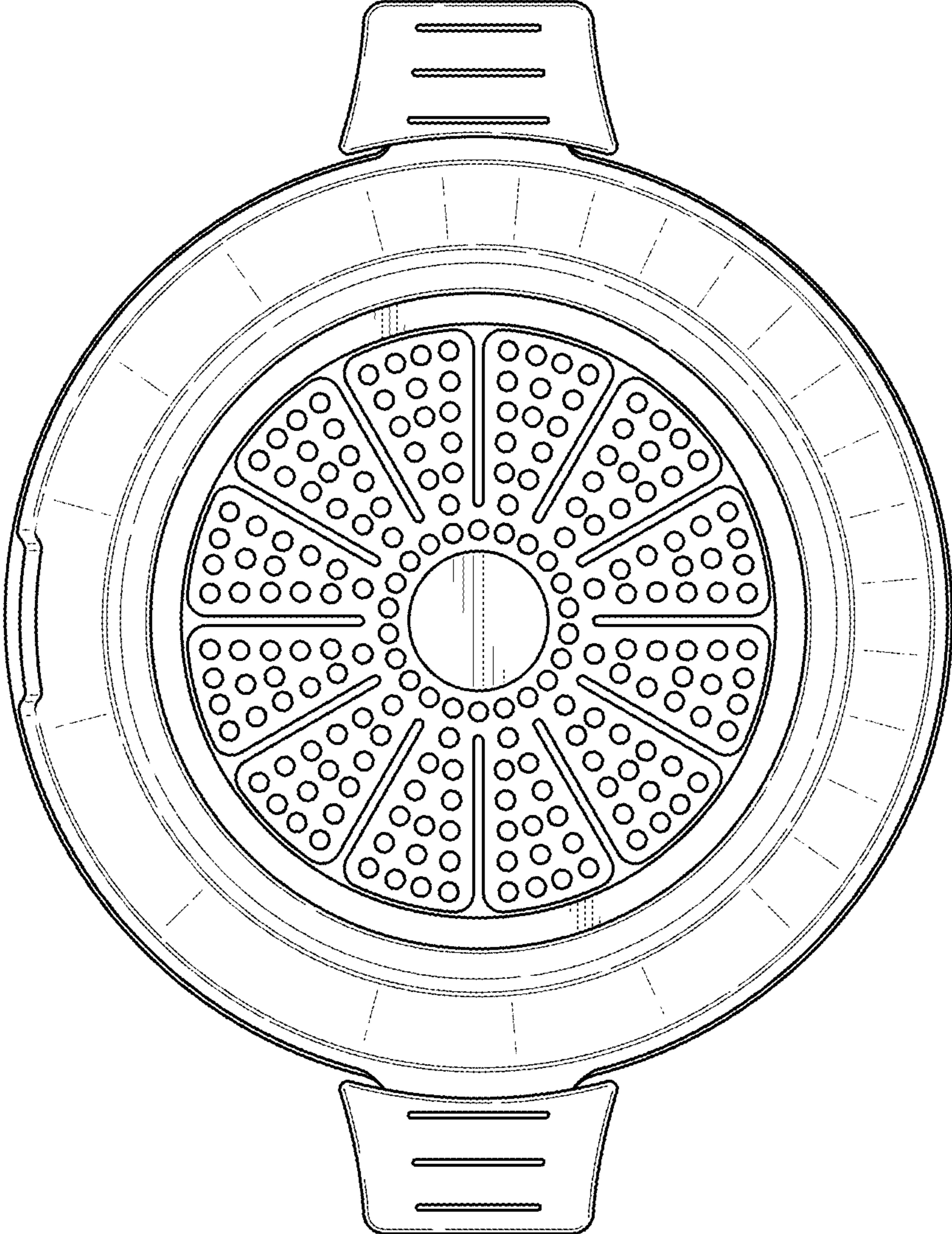


FIG. 18