



US00D973421S

(12) **United States Design Patent**
Piksa

(10) **Patent No.:** **US D973,421 S**

(45) **Date of Patent:** **** Dec. 27, 2022**

(54) **PAN**

(71) Applicant: **Thane IP Limited**, Portsmouth (GB)

(72) Inventor: **Jelenko Piksa**, Toronto (CA)

(73) Assignee: **Thane IP Limited**, Portsmouth (GB)

(**) Term: **15 Years**

(21) Appl. No.: **29/788,451**

(22) Filed: **May 28, 2021**

(51) **LOC (13) Cl.** **07-02**

(52) **U.S. Cl.**
USPC **D7/360**

(58) **Field of Classification Search**

USPC D7/323, 354, 355, 356, 357, 358, 359,
D7/360, 361, 363, 387, 393, 394, 395

CPC A47J 37/10; A47J 37/105; A47J 36/025;
A47J 45/061

See application file for complete search history.

(56) **References Cited**

U.S. PATENT DOCUMENTS

3,798,706 A * 3/1974 Wolfson A47J 45/071
220/759
4,845,893 A * 7/1989 Racine A47J 27/002
220/639
D438,050 S * 2/2001 Huntzinger D7/354
D580,214 S * 11/2008 Dodane D7/361
D600,497 S * 9/2009 Ek D7/361
D696,060 S * 12/2013 Schleinzer D7/354

(Continued)

FOREIGN PATENT DOCUMENTS

CN 303263055 * 7/2015
CN 303462863 * 11/2015

(Continued)

OTHER PUBLICATIONS

Removable Handle Cookware, posted date Jul. 29, 2022 [online],
[retrieved Aug. 1, 2022]. Retrieved from internet, <https://cnhuochu>.

en.made-in-china.com/product/hwxmAHPrJUcZ/China-Removable-Handle-Camping-Inventions-Sets-Aluminum-Mini-Cooking-Pots-with-Frying-Pan-Detachable-Handle-Nonstick-Cookware.html (Year: 2022).*

(Continued)

Primary Examiner — Nicole C Shiflet

Assistant Examiner — Yen Le Southwood

(74) *Attorney, Agent, or Firm* — Bereskin & Parr LLP

(57) **CLAIM**

I claim the ornamental design for a pan, as shown and described.

DESCRIPTION

FIG. 1 is a perspective view of a pan showing a first embodiment.

FIG. 2 is a right side view of the pan shown in FIG. 1.

FIG. 3 is a left side view of the pan shown in FIG. 1.

FIG. 4 is a rear view of the pan shown in FIG. 1.

FIG. 5 is a front view of the pan shown in FIG. 1.

FIG. 6 is a top view of the pan shown in FIG. 1.

FIG. 7 is a bottom view of the pan shown in FIG. 1.

FIG. 8 is a perspective view of a pan showing a second embodiment.

FIG. 9 is a right side view of the pan shown in FIG. 8.

FIG. 10 is a left side view of the pan shown in FIG. 8.

FIG. 11 is a rear view of the pan shown in FIG. 8.

FIG. 12 is a front view of the pan shown in FIG. 8.

FIG. 13 is a top view of the pan shown in FIG. 8.

FIG. 14 is a bottom view of the pan shown in FIG. 8.

FIG. 15 is a perspective view of a pan showing a third embodiment.

FIG. 16 is a right side view of the pan shown in FIG. 15.

FIG. 17 is a left side view of the pan shown in FIG. 15.

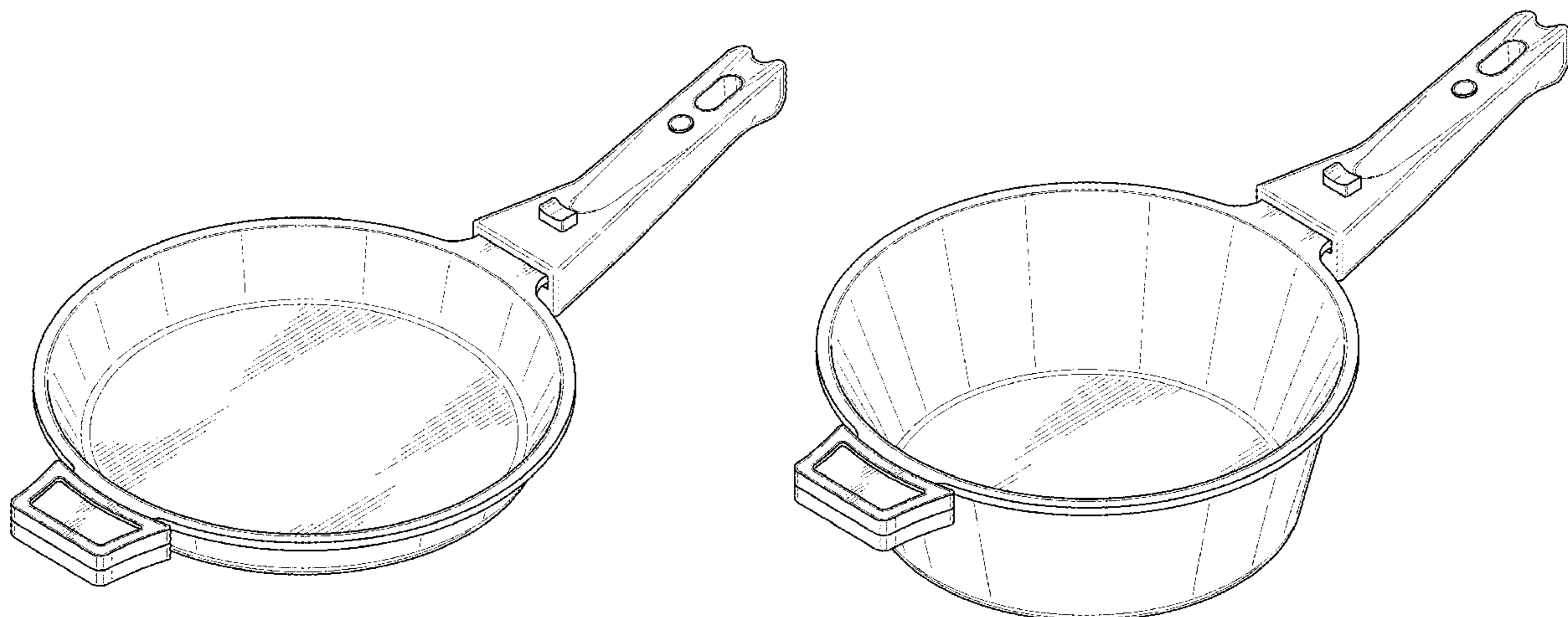
FIG. 18 is a rear view of the pan shown in FIG. 15.

FIG. 19 is a front view of the pan shown in FIG. 15.

FIG. 20 is a top view of the pan shown in FIG. 15; and,

FIG. 21 is a bottom view of the pan shown in FIG. 15.

1 Claim, 15 Drawing Sheets



(56)

References Cited

U.S. PATENT DOCUMENTS

D732,335 S	*	6/2015	Thonis	D7/354
D779,871 S	*	2/2017	Zemel	D7/354
D817,118 S	*	5/2018	Chang	D7/667
D824,203 S	*	7/2018	Lee	D7/359
D923,388 S	*	6/2021	Dorion	D7/360
D957,189 S	*	7/2022	Reiner	D7/402

FOREIGN PATENT DOCUMENTS

CN	305375265	*	10/2019
CN	306371769	*	3/2021
CN	307456721	*	7/2022
EM	008303630-0001	*	1/2021
EM	008303630-0004	*	1/2021
EM	008303630-0007	*	1/2021
EM	008303630-0011	*	1/2021
FR	D1141020	*	5/2002
JP	D1410472	*	3/2011
KR	300871114.0000	*	9/2016

OTHER PUBLICATIONS

Woll Diamond Lite Sauté Pan, posted date Aug. 22, 2016 [online], [retrieved Aug. 4, 2022]. Retrieved from internet, <https://www.amazon.com/Woll-Diamond-Plus-Saut%C3%A9-12-5-Inch/dp/B01KTPUCBM?th=1> (Year: 2016).*

amazon.com/Woll-Diamond-Plus-Saut%C3%A9-12-5-Inch/dp/B01KTPUCBM?th=1 (Year: 2016).*

Cristel Strate Collction, posted date May 1, 2013 [online], [retrieved Aug. 4, 2022]. Retrieved from internet, <https://www.amazon.com/Cristel-Strate-STQL13KSAS-Handles-Silver/dp/B00CL0VAWY> (Year: 2013).*

FlavorCast Cookware, posted Feb. 22, 2021 [online], [retrieved Aug. 4, 2022]. Retrieved from internet, <https://www.amazon.com/FlavorCast-Deluxe-Lightweight-Stackable-Cookware/dp/B08X6BWJCK> (Year: 2021).*

Polaris One Click, posted date unknown [online], [retrieved Aug. 1, 2022]. Retrieved from internet, <https://polaris.company/en/catalog/one-click/polaris-one-click-26f/>.*

Risoli Deep Frypan with Removable Handle, posted date unknown [online], [retrieved Aug. 1, 2022]. Retrieved from internet, <https://www.risoli.com/eng/Pans/Deep-Frypan-with-removable-handle>.*

Neoflam MyPan, posted date unknown, [online], [retrieved Aug. 1, 2022]. Retrieved from internet, <https://www.ebay.com/itm/175027941303>.*

BergHoff GEM 12.5" Fry Pan, posted date Dec. 1, 2020 [online], [retrieved Aug. 1, 2022]. Retrieved from internet, <https://www.target.com/p/berghoff-gem-12-5-non-stick-fry-pan-with-detachable-handle-black/-/A-79431216> (Year: 2020).*

* cited by examiner

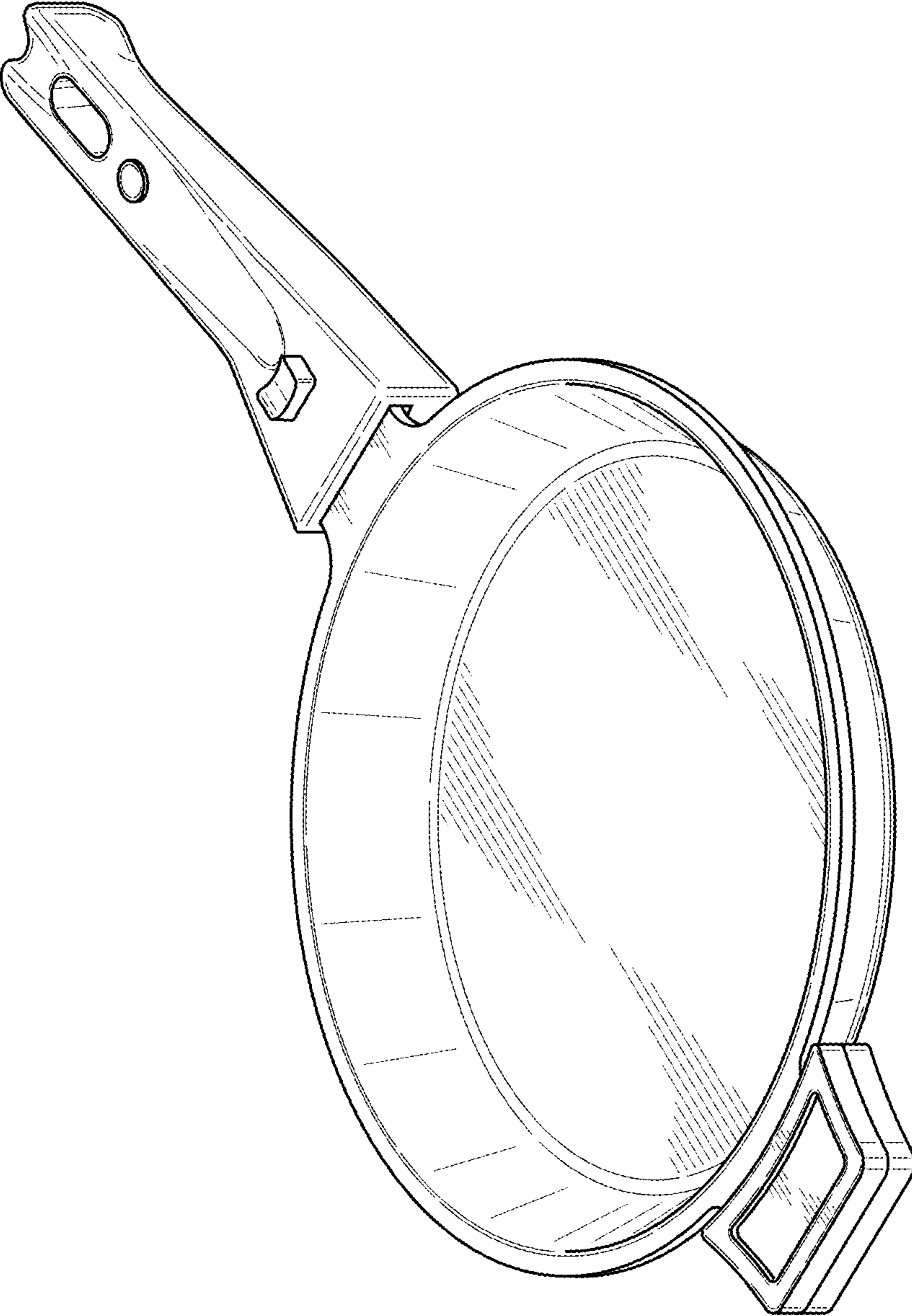


FIG. 1

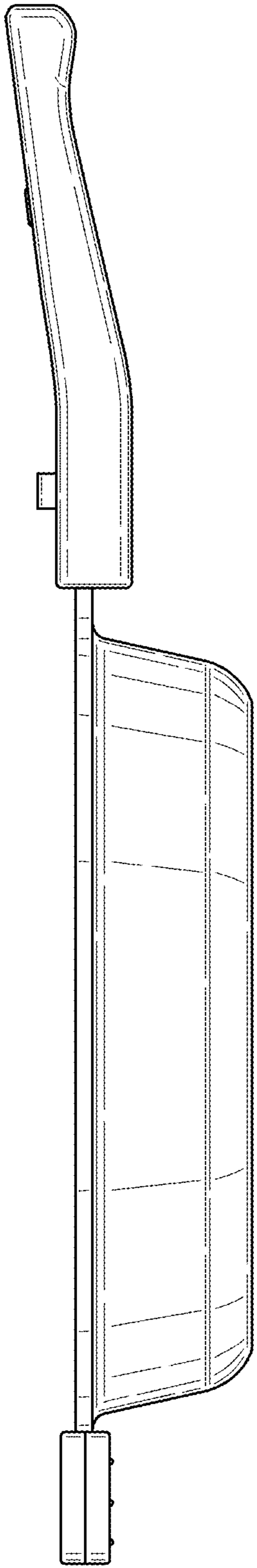


FIG. 2

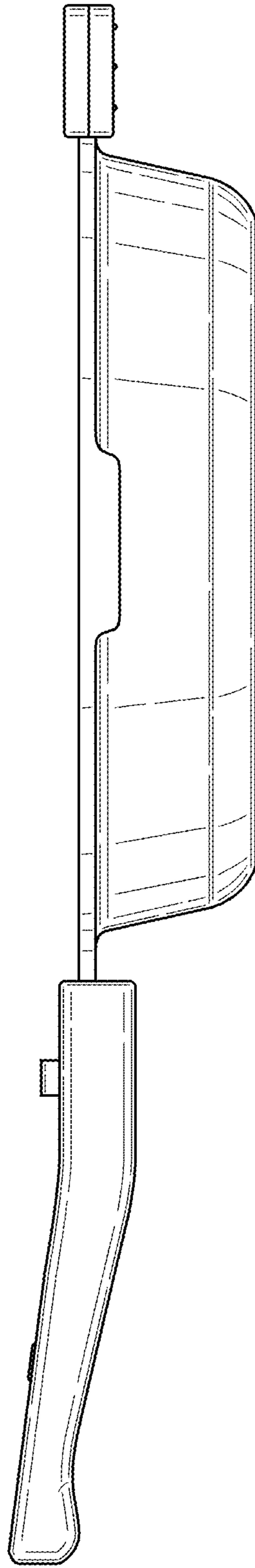


FIG. 3

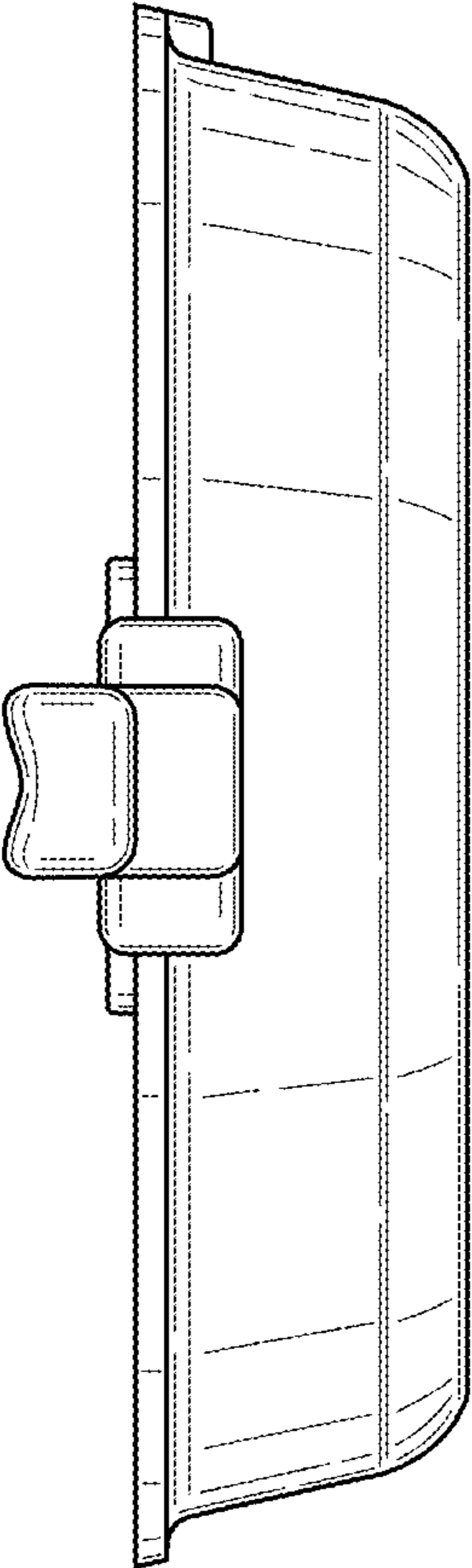


FIG. 4

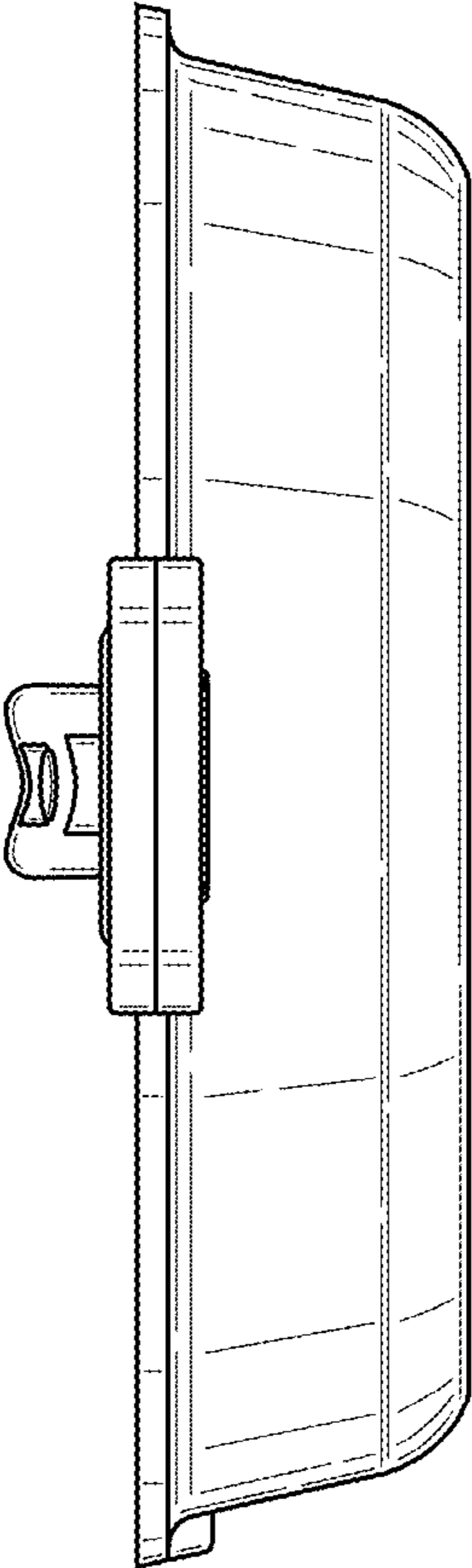


FIG. 5

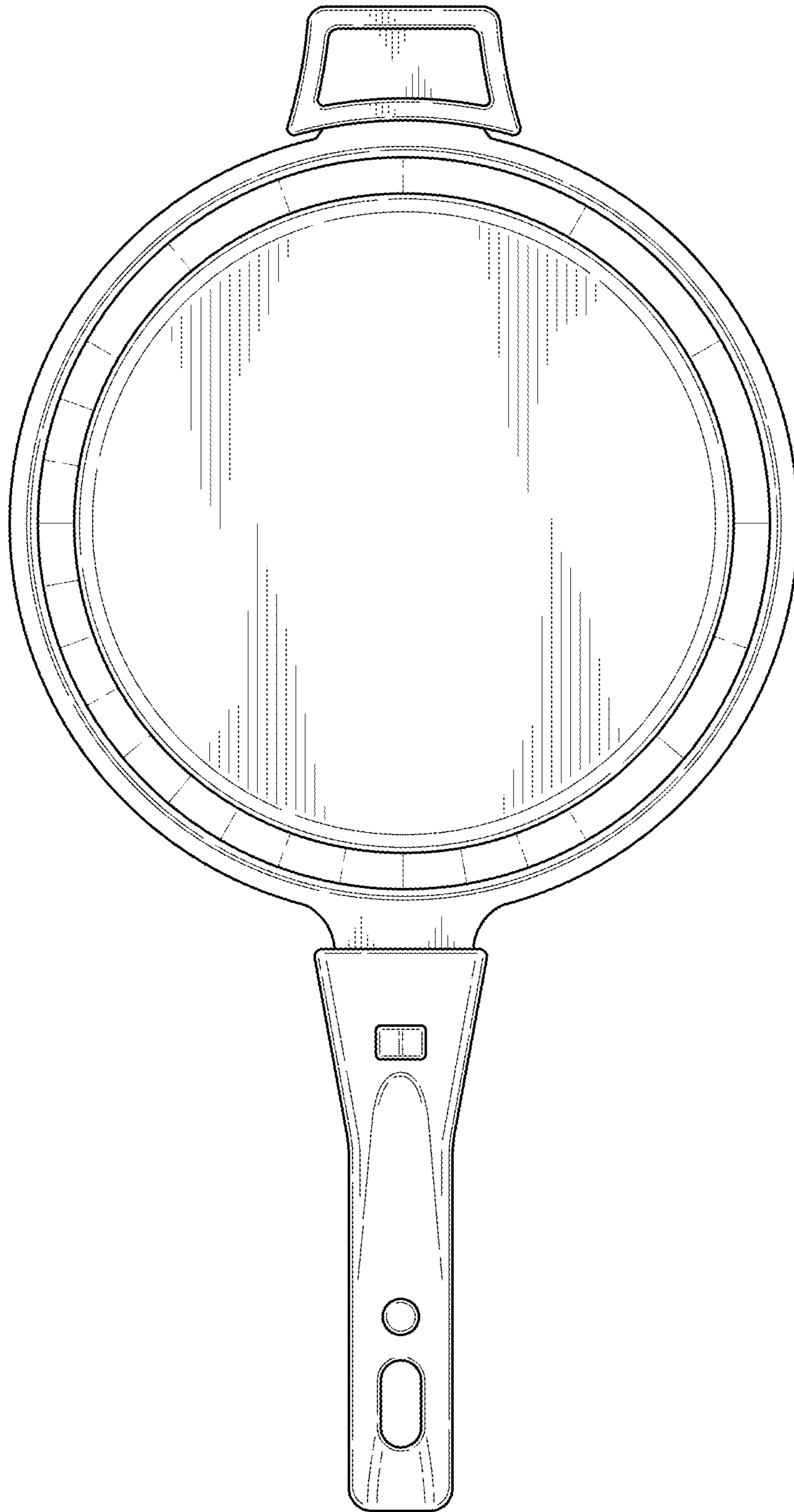


FIG. 6

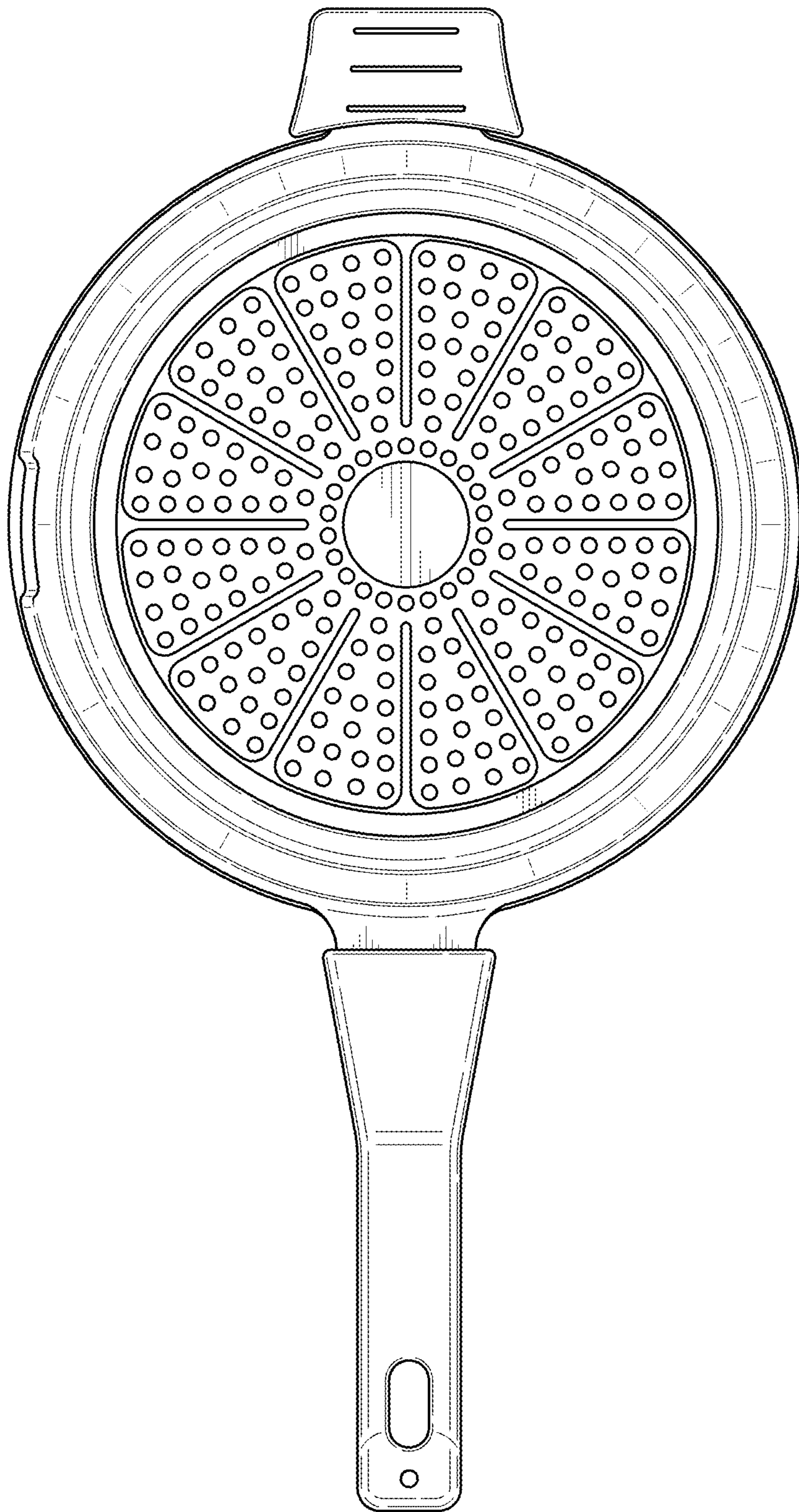


FIG. 7

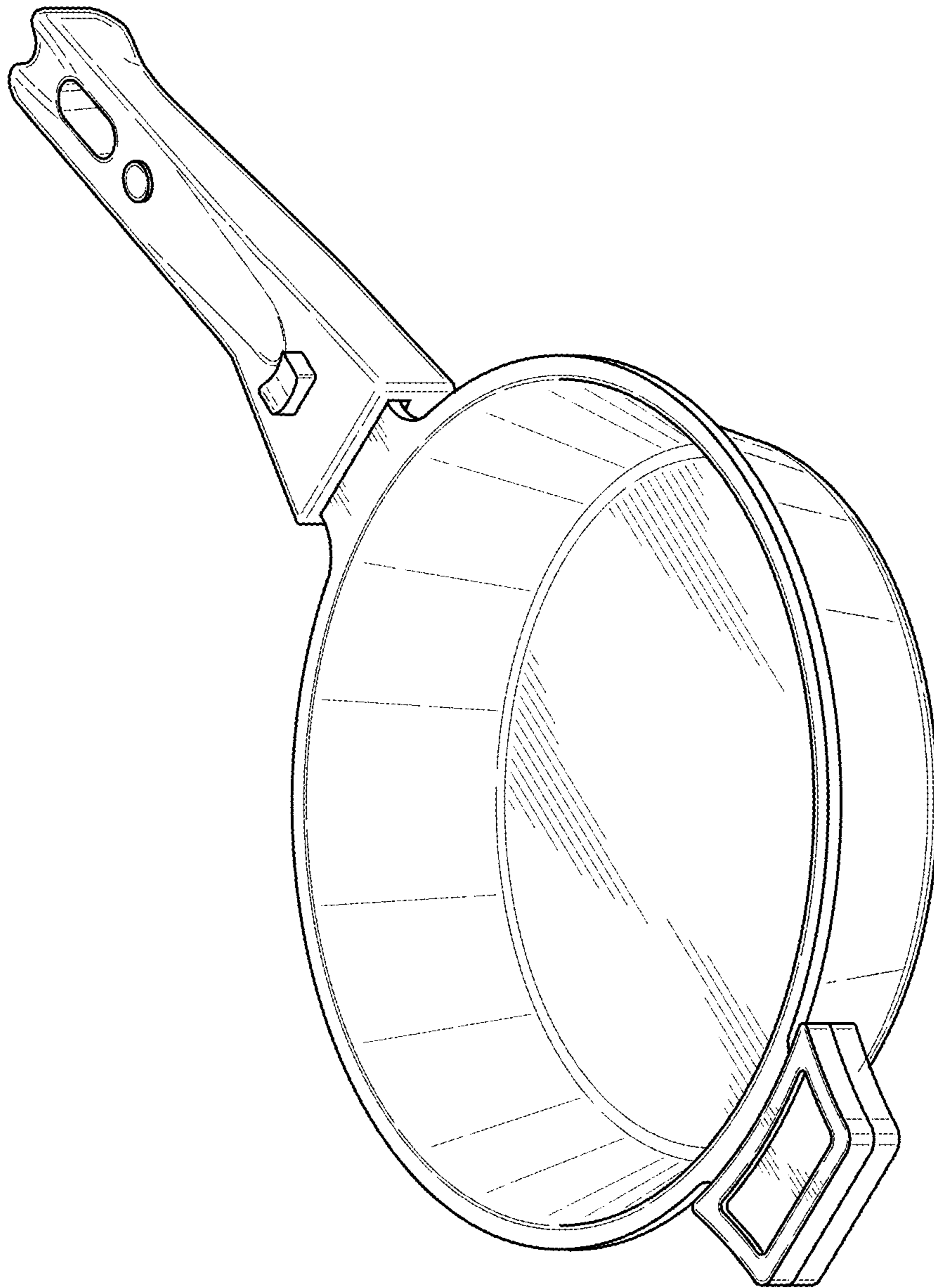


FIG. 8

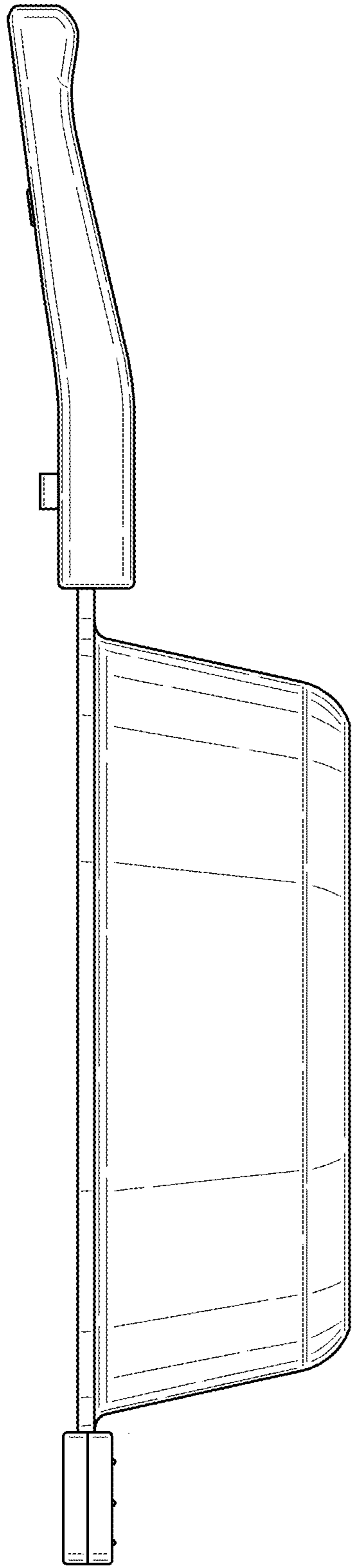


FIG. 9

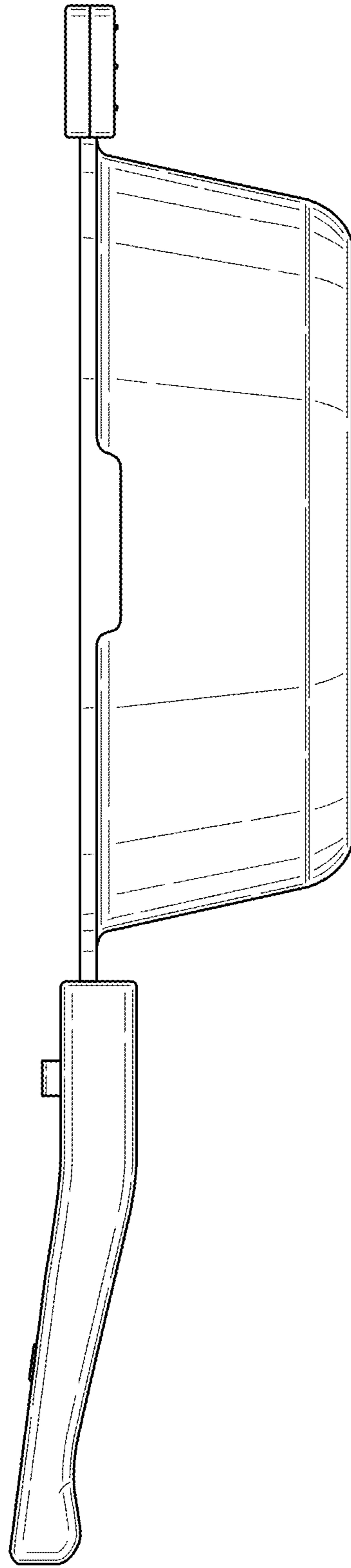


FIG. 10

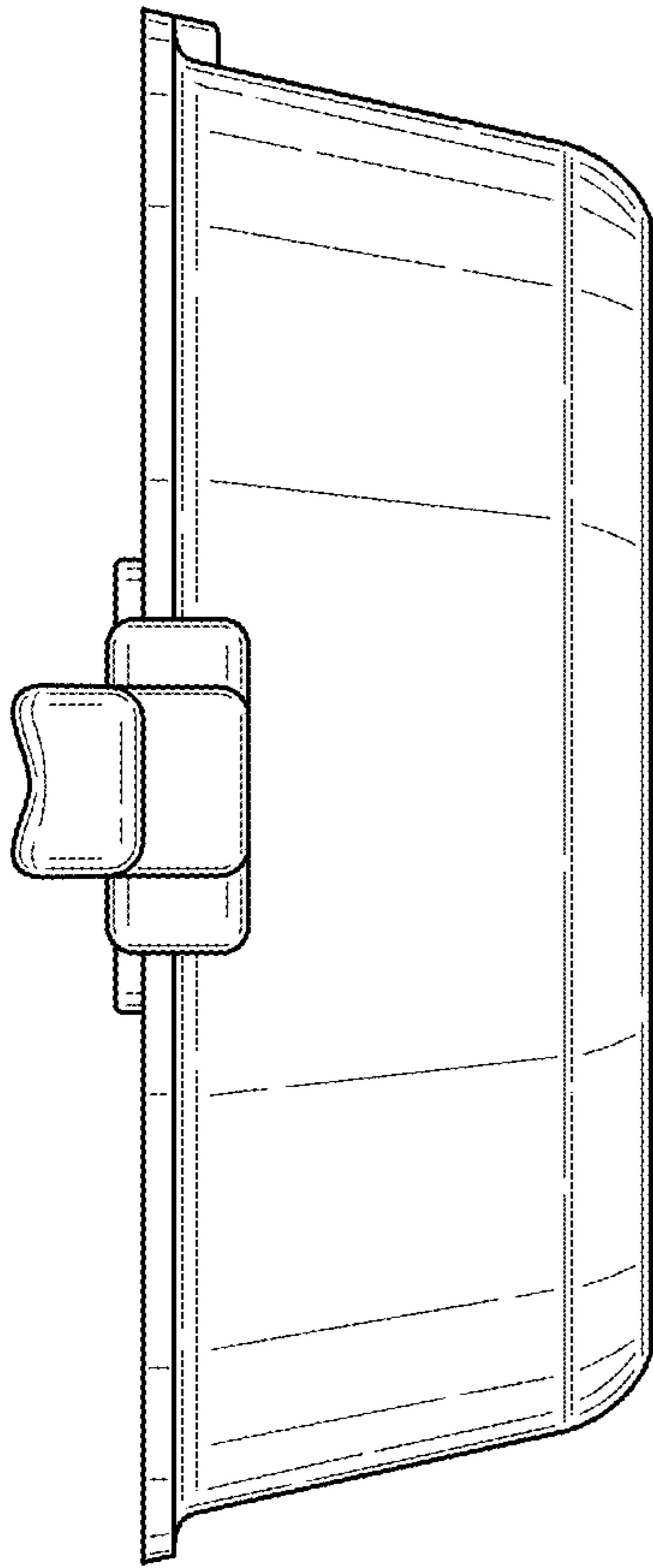


FIG. 11

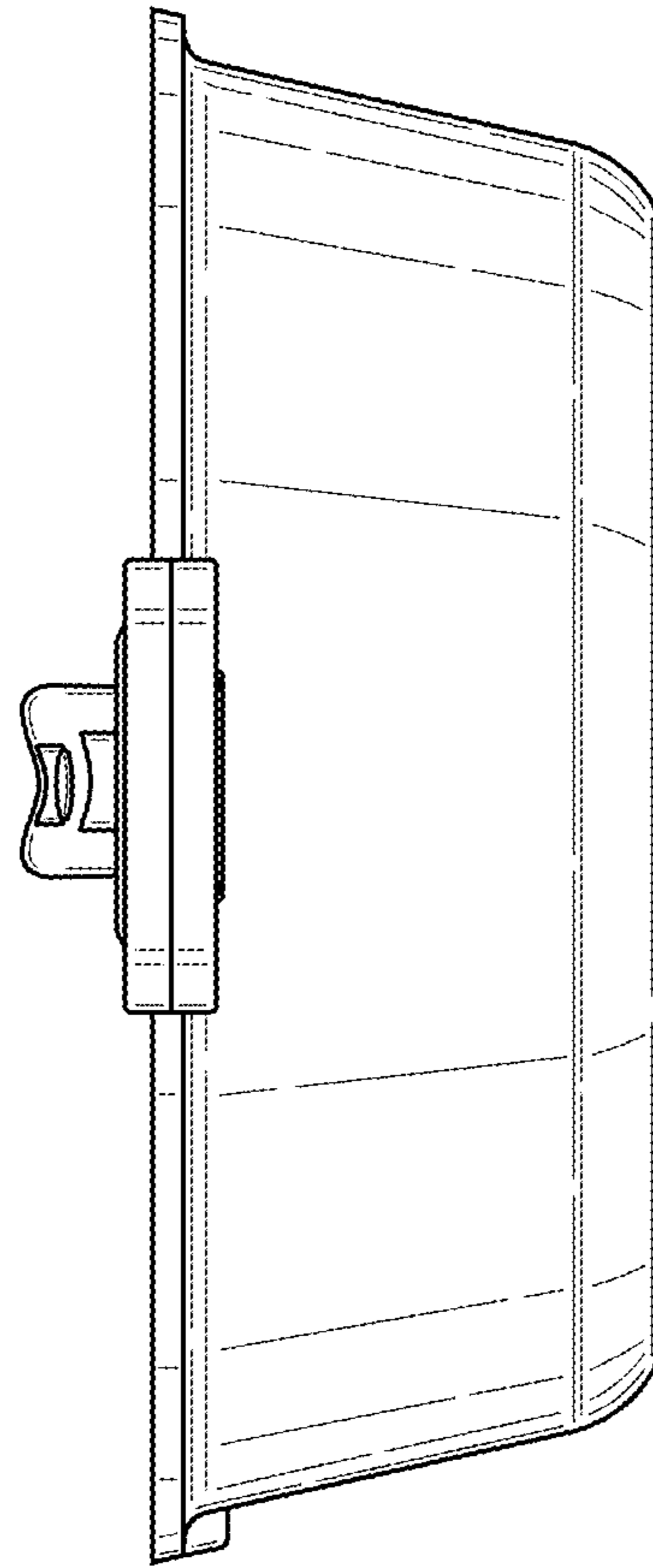


FIG. 12

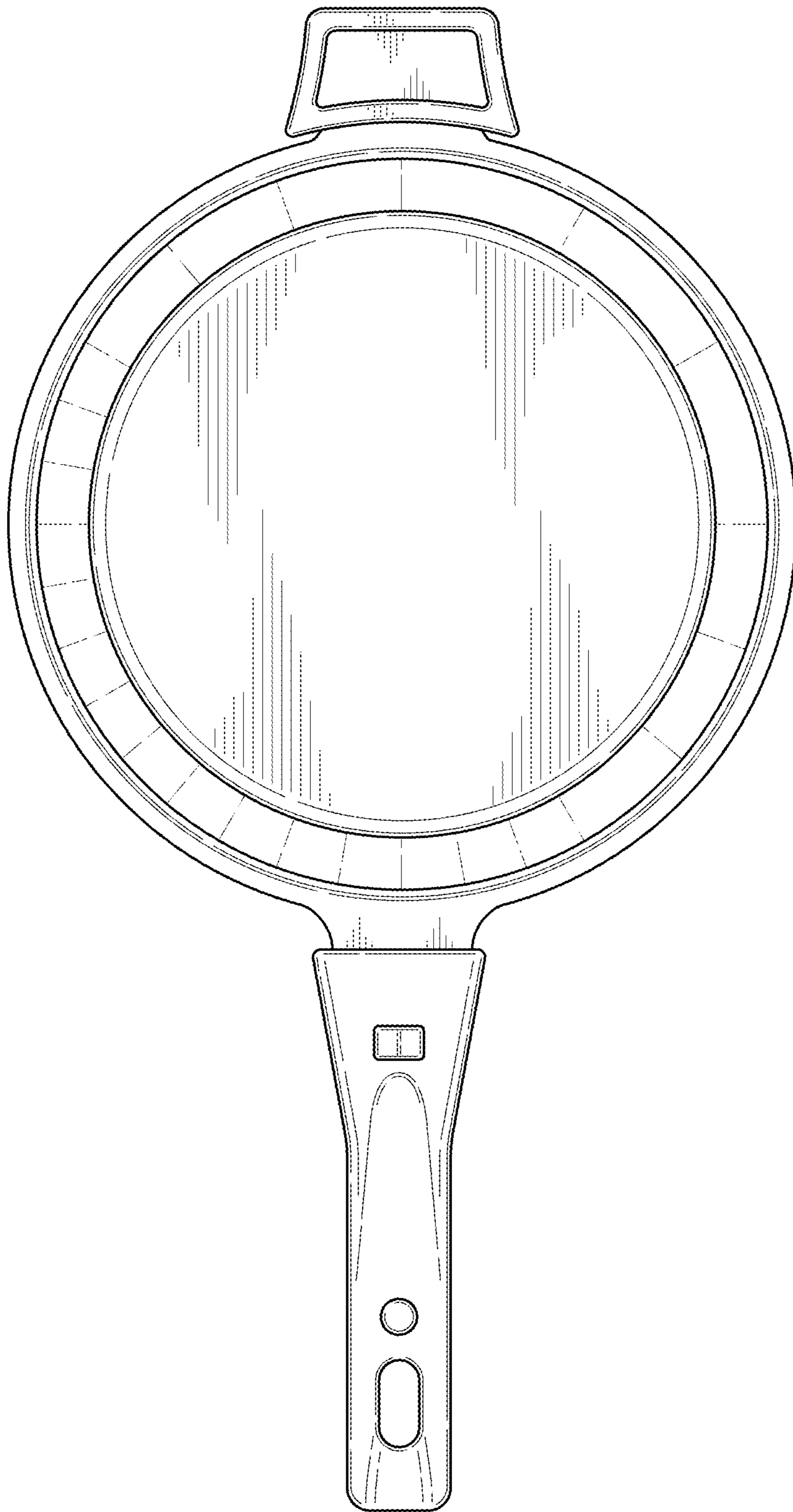


FIG. 13

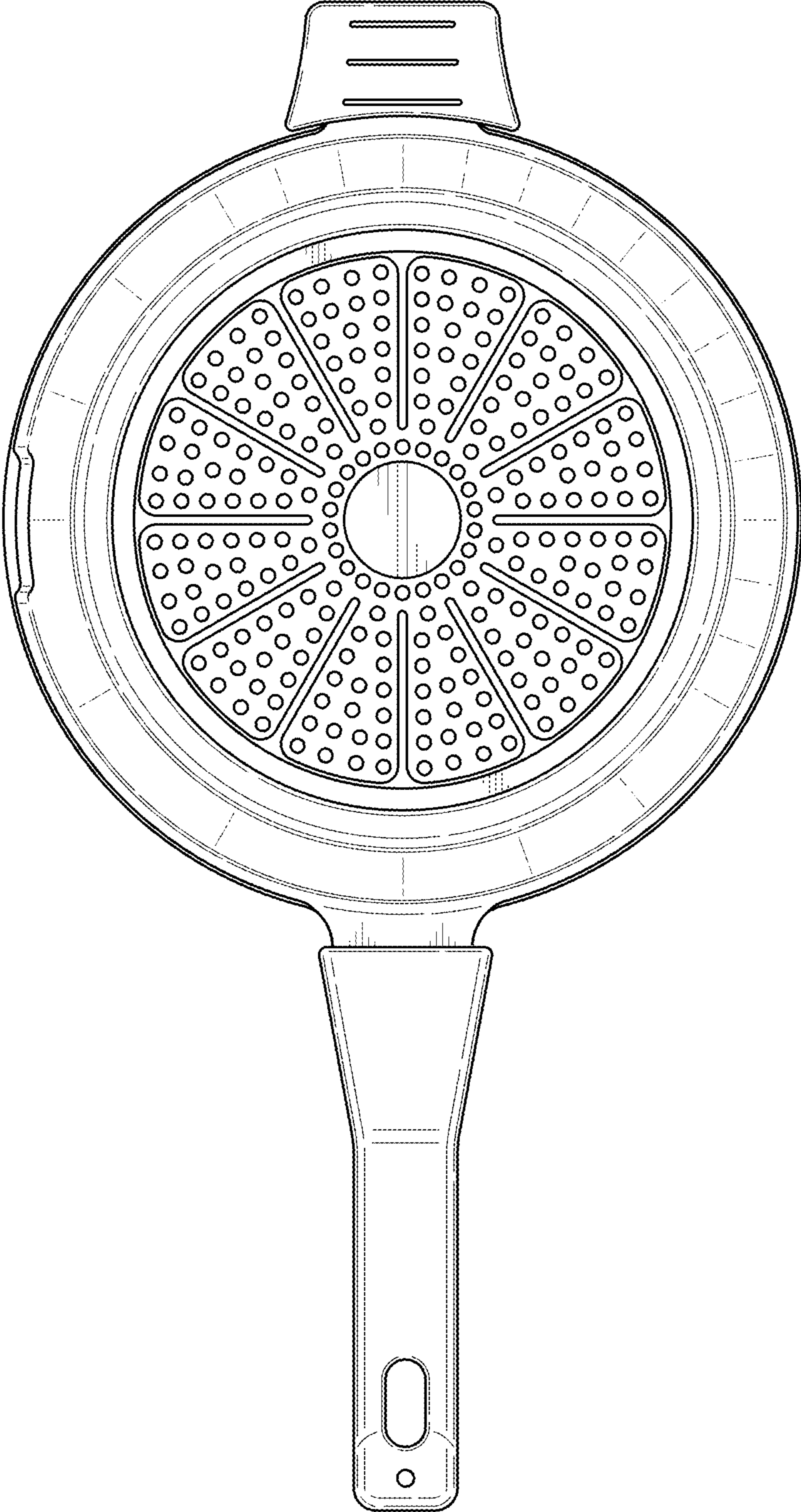


FIG. 14

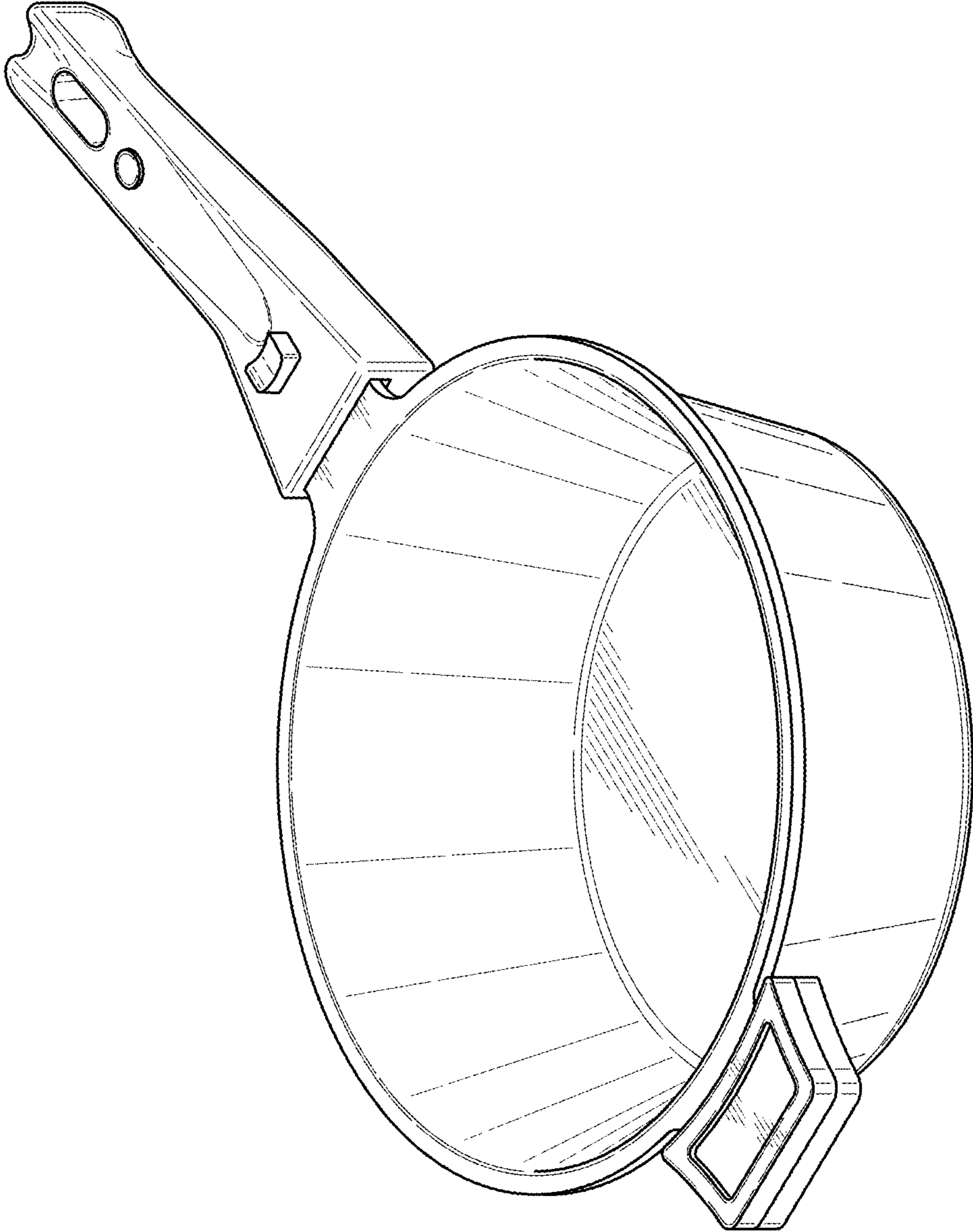


FIG. 15

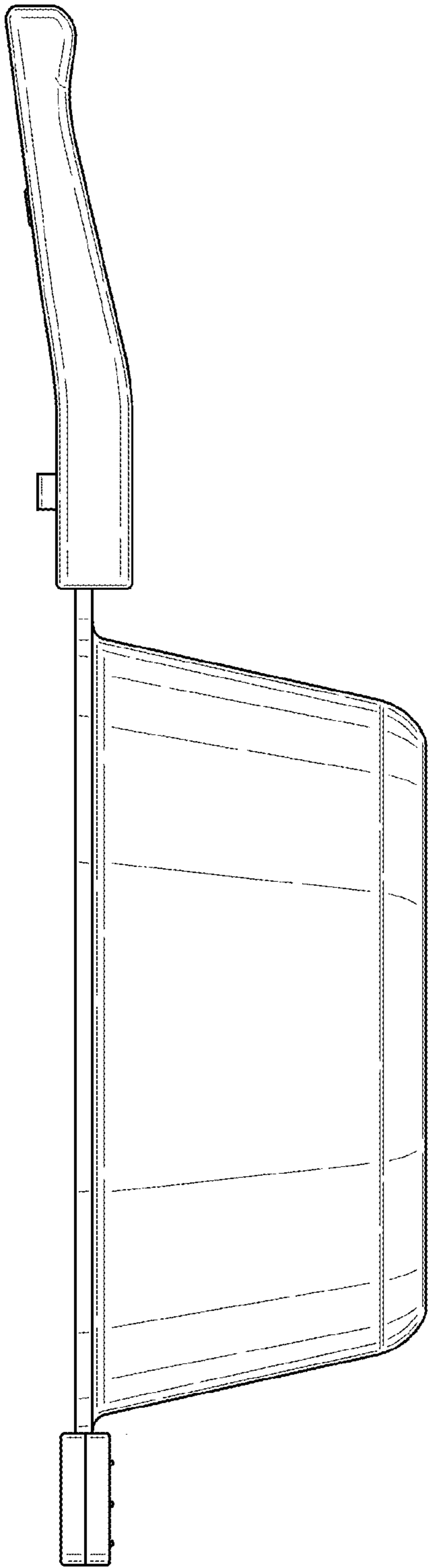


FIG. 16

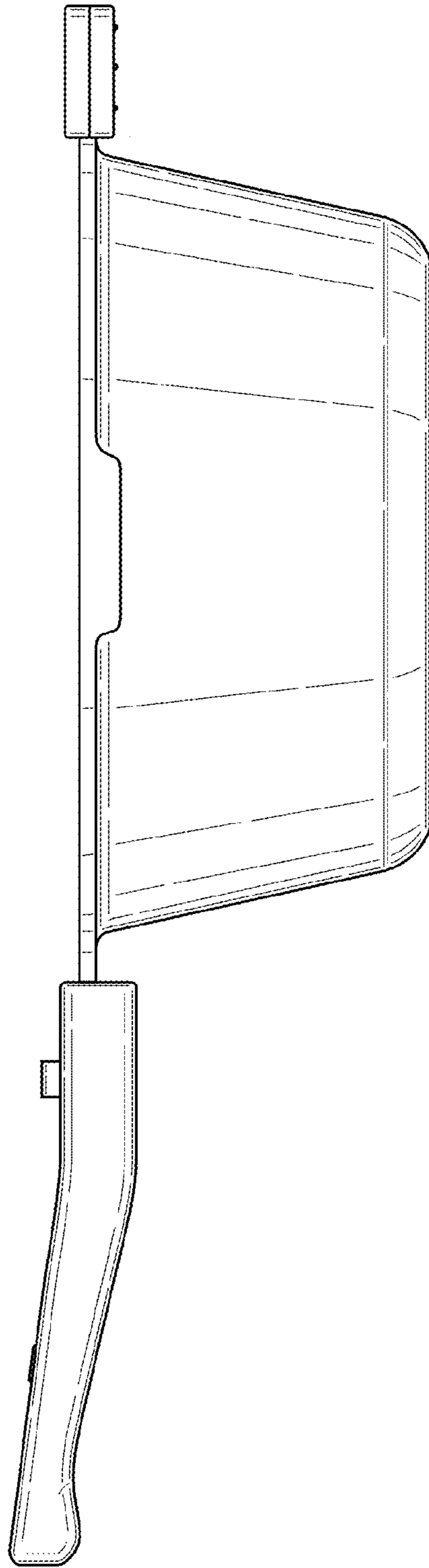


FIG. 17

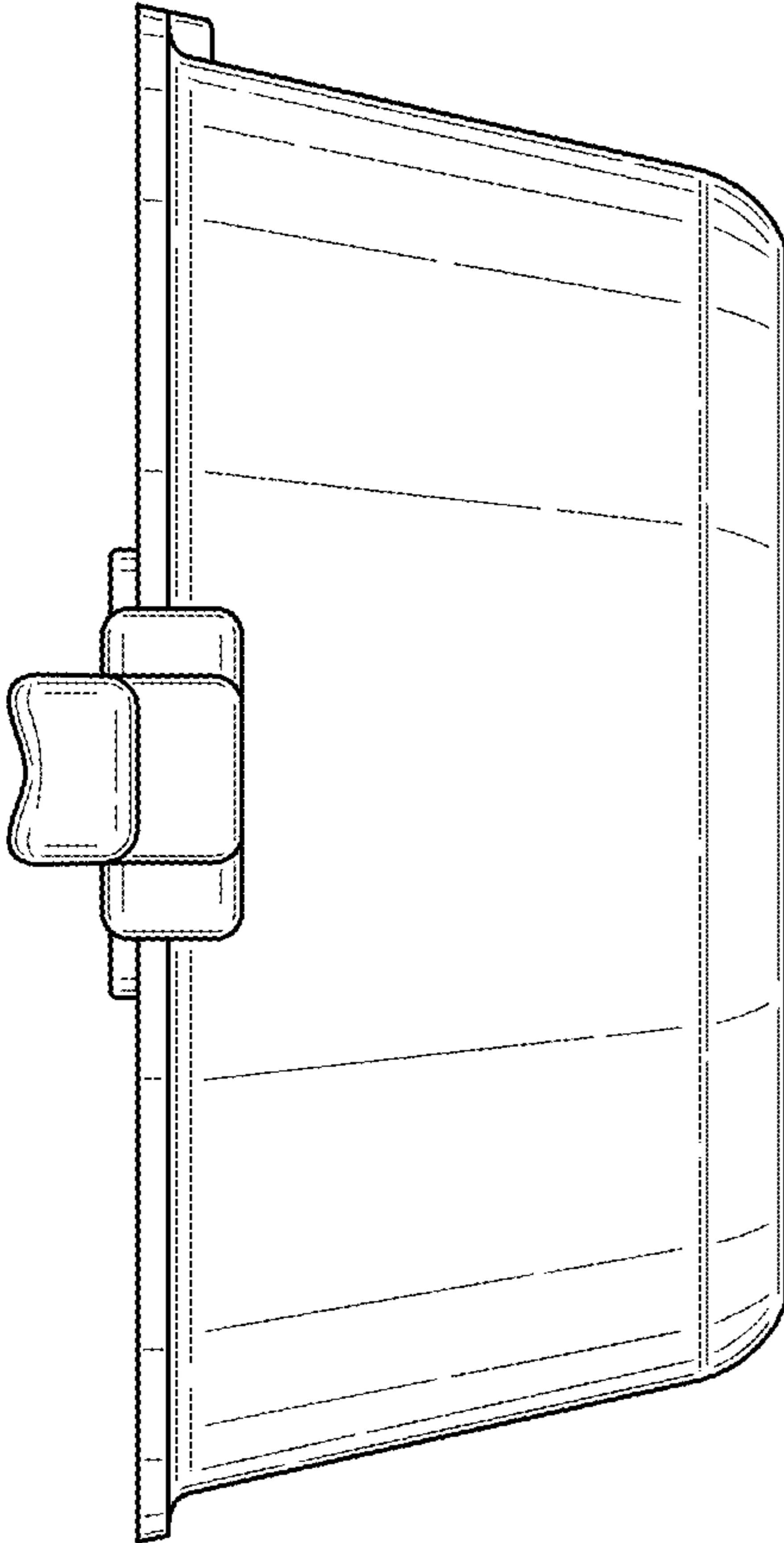


FIG. 18

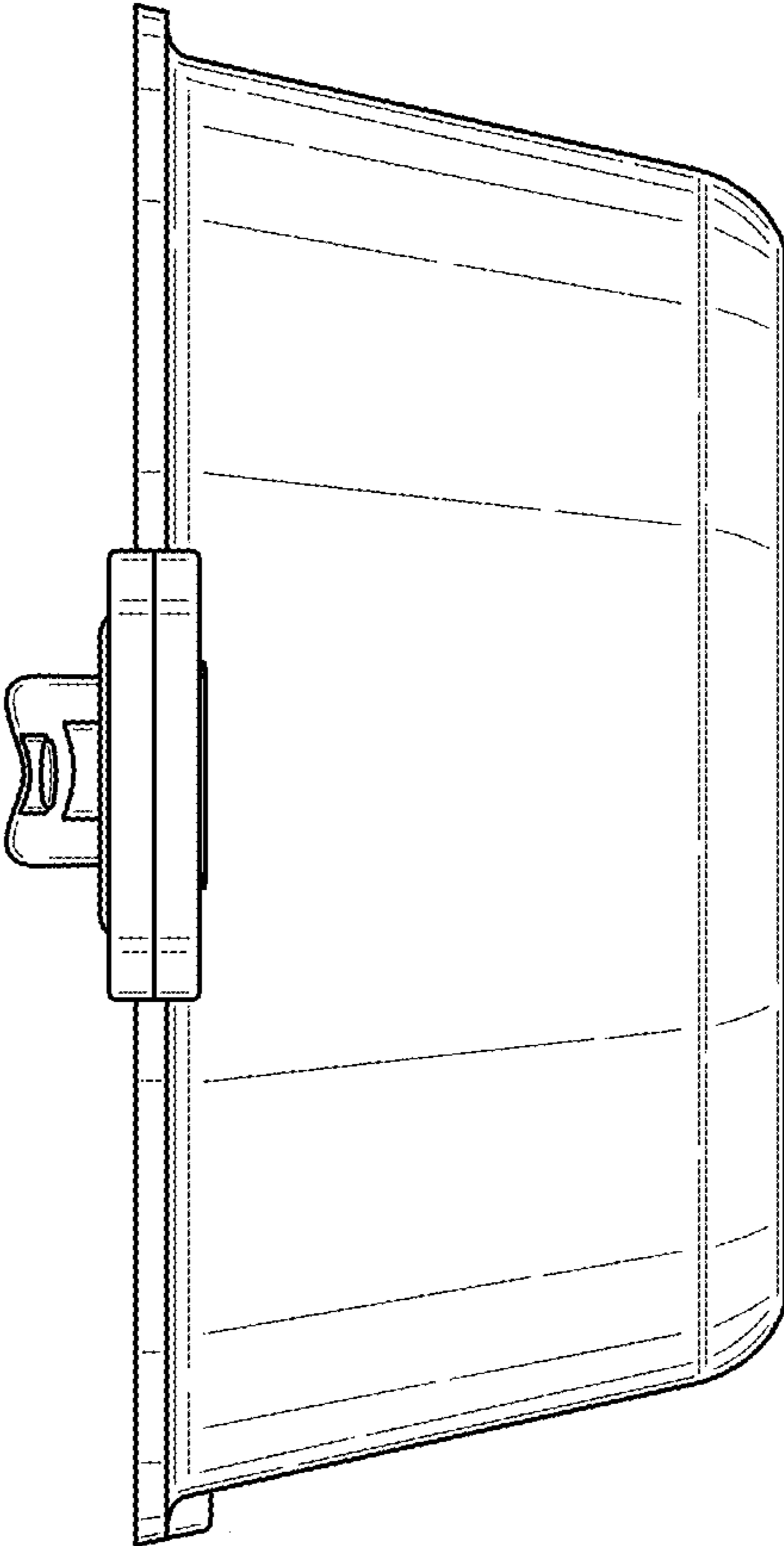


FIG. 19

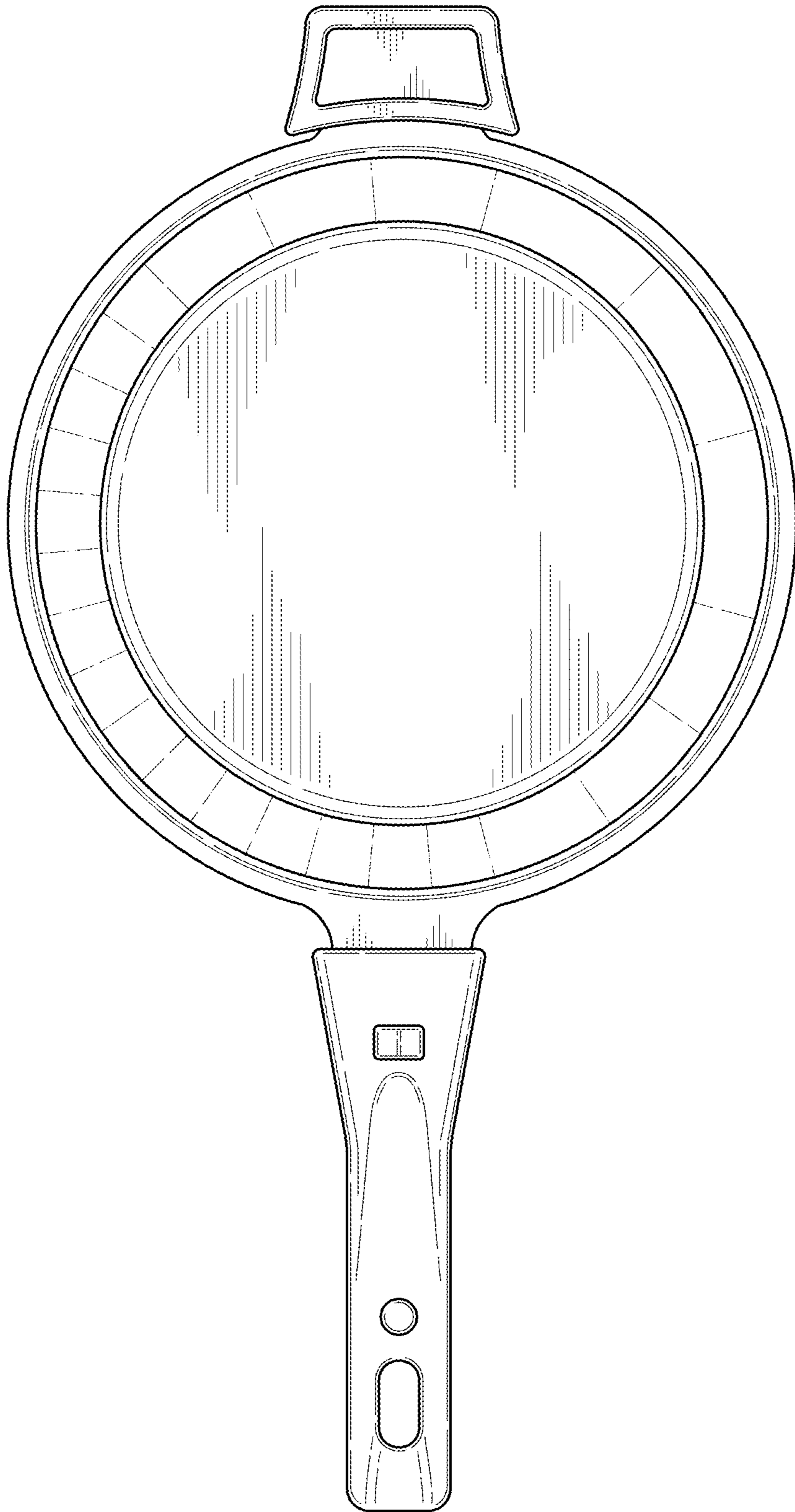


FIG. 20

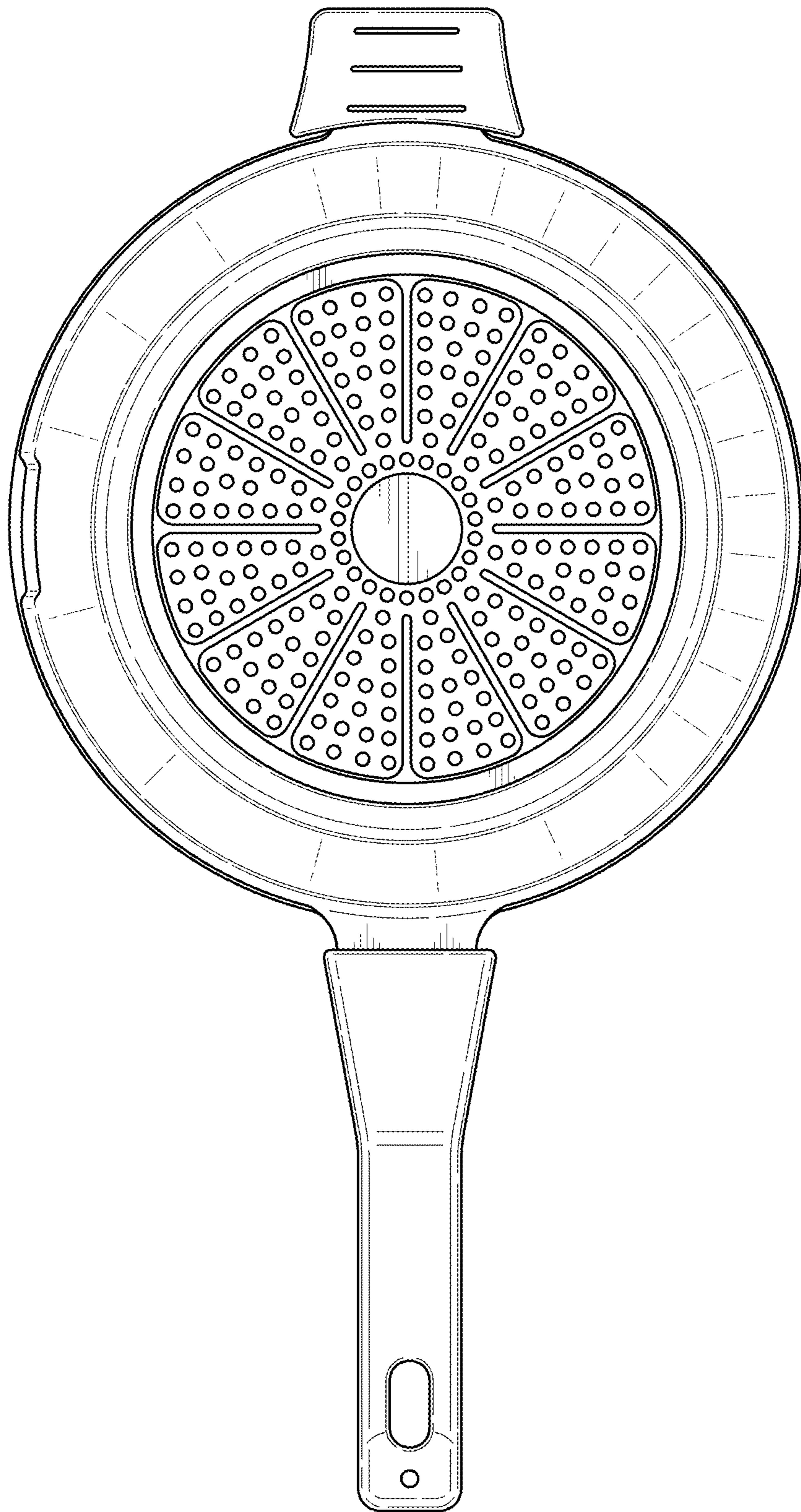


FIG. 21