



US00D973420S

(12) **United States Design Patent**  
**Huan**

(10) **Patent No.:** **US D973,420 S**

(45) **Date of Patent:** **\*\* Dec. 27, 2022**

(54) **COOKING POT**  
(71) Applicant: **CONAIR CORPORATION**, Stamford,  
CT (US)  
(72) Inventor: **Lin Yao Huan**, Jiangmen (CN)  
(73) Assignee: **Conair LLC**, Stamford, CT (US)  
(\*\*) Term: **15 Years**

5,758,569 A \* 6/1998 Barbour ..... A47J 43/18  
99/421 V  
D477,180 S \* 7/2003 Burton ..... D7/394  
D503,070 S \* 3/2005 Cheng ..... D7/394  
D589,295 S \* 3/2009 Rohrer ..... D7/360  
D642,013 S \* 7/2011 Rae ..... D7/394  
D642,426 S \* 8/2011 Rae ..... D7/394

(Continued)

**FOREIGN PATENT DOCUMENTS**

GB 2025884 \* 12/1992  
WO WOD077443-003 \* 1/2012

**OTHER PUBLICATIONS**

Stock Pot Stainless Steel, posted at Amazon.com on Oct. 2, 2001,  
[site visited Apr. 20, 2022]. Available from internet, URL: <https://  
www.amazon.com/dp/B003Y3BCPC/> (Year: 2001).\*

(Continued)

*Primary Examiner* — Andrew Kerr  
*Assistant Examiner* — Chariton Alexakis  
(74) *Attorney, Agent, or Firm* — Ruggiero McAllister &  
McMahon LLC

(21) Appl. No.: **29/751,586**  
(22) Filed: **Sep. 22, 2020**  
(51) **LOC (13) Cl.** ..... **07-02**  
(52) **U.S. Cl.**  
USPC ..... **D7/360**  
(58) **Field of Classification Search**  
USPC ..... D7/213, 323, 339, 353, 354, 355, 356,  
D7/357, 358, 359, 360, 361, 362, 367,  
D7/368, 387, 388, 394, 396, 396.6, 402,  
D7/403, 407, 409, 500, 538, 539, 540,  
D7/542, 543, 545, 547; D9/428;  
D21/525  
CPC .. A47J 27/00; A47J 27/02; A47J 27/04; A47J  
27/05; A47J 27/08; A47J 27/09; A47J  
27/092; A47J 29/00; A47J 36/02; A47J  
36/022; A47J 36/025; A47J 36/06; A47J  
36/08; A47J 36/10; A47J 36/12; A47J  
37/10; A47J 37/1204; A47J 37/1209;  
A47J 45/061; A47J 45/063; A47J 45/07;  
A47J 45/071; B65D 25/28; Y10S 220/912  
See application file for complete search history.

(56) **References Cited**

**U.S. PATENT DOCUMENTS**

2,518,483 A \* 8/1950 Mapes ..... A47J 36/02  
72/47  
3,186,045 A \* 6/1965 Lagostina ..... C23C 4/123  
164/75  
4,533,807 A \* 8/1985 Minamida ..... A47J 36/02  
219/621

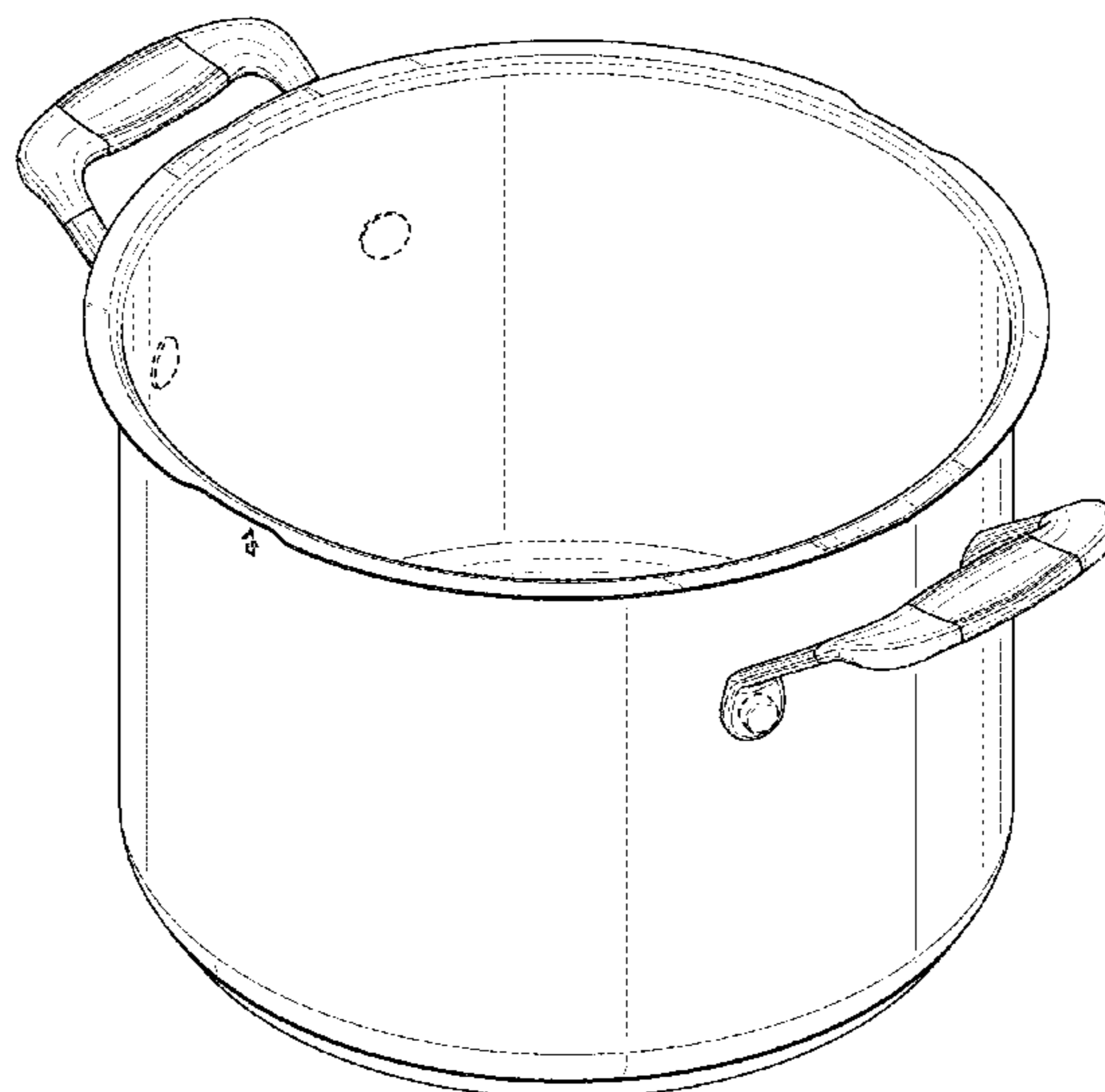
(57) **CLAIM**

The ornamental design for a cooking pot, as shown and  
described.

**DESCRIPTION**

FIG. 1 is a perspective view of a cooking pot, showing my  
new design;  
FIG. 2 is a front view thereof;  
FIG. 3 is a rear view thereof;  
FIG. 4 is a right side view thereof;  
FIG. 5 is a left side view thereof;  
FIG. 6 is a top view thereof; and,  
FIG. 7 is a bottom view thereof.  
The broken lines in the drawings depict portions of the  
cooking pot that form no part of the claimed design.

**1 Claim, 7 Drawing Sheets**



(56)

**References Cited**

U.S. PATENT DOCUMENTS

8,067,716 B1 \* 11/2011 Lloyd ..... A47J 37/1209  
 99/332  
 D687,256 S \* 8/2013 Difante ..... D7/354  
 D696,901 S \* 1/2014 Rae ..... A47J 43/18  
 D7/394  
 D713,198 S \* 9/2014 Rae ..... D7/394  
 D758,128 S \* 6/2016 McConnell ..... D7/394  
 D812,975 S \* 3/2018 Mirchandani ..... A47J 37/1209  
 D7/354  
 D915,130 S \* 4/2021 Elmasu ..... D7/360  
 2012/0175374 A1 \* 7/2012 Cheng ..... A47J 45/068  
 220/573.1  
 2017/0188740 A1 \* 7/2017 Shicheng ..... A47J 27/002

OTHER PUBLICATIONS

Cuisinart Chef's Classic Stockpot , , posted at Amazon.com on Feb. 1, 2003, [site visited Apr. 20, 2022]. Available from internet, URL: <<https://www.amazon.com/Cuisinart-76610-26G-Classic-10-Quart-Stockpot/dp/B007HN67KU/>> (Year: 2003).\*

Calpahlon Classic Nonstick Stockpot, posted at Amazon.com on Mar. 16, 2017, [site visited Apr. 20, 2022]. Available from internet, URL: <<https://www.amazon.com/dp/B06XPFT64H/>> (Year: 2017).\*

NutriChef 15-Quart Stainless Steel Stock Pot, posted at Amazon.com on Jul. 7, 2020, [site visited Apr. 20, 2022]. Available from internet, URL: <<https://www.amazon.com/NutriChef-Dishwasher-Stainless-Induction-Large-Simmering/dp/B08CHG5S2B/>> (Year: 2020).\*

\* cited by examiner

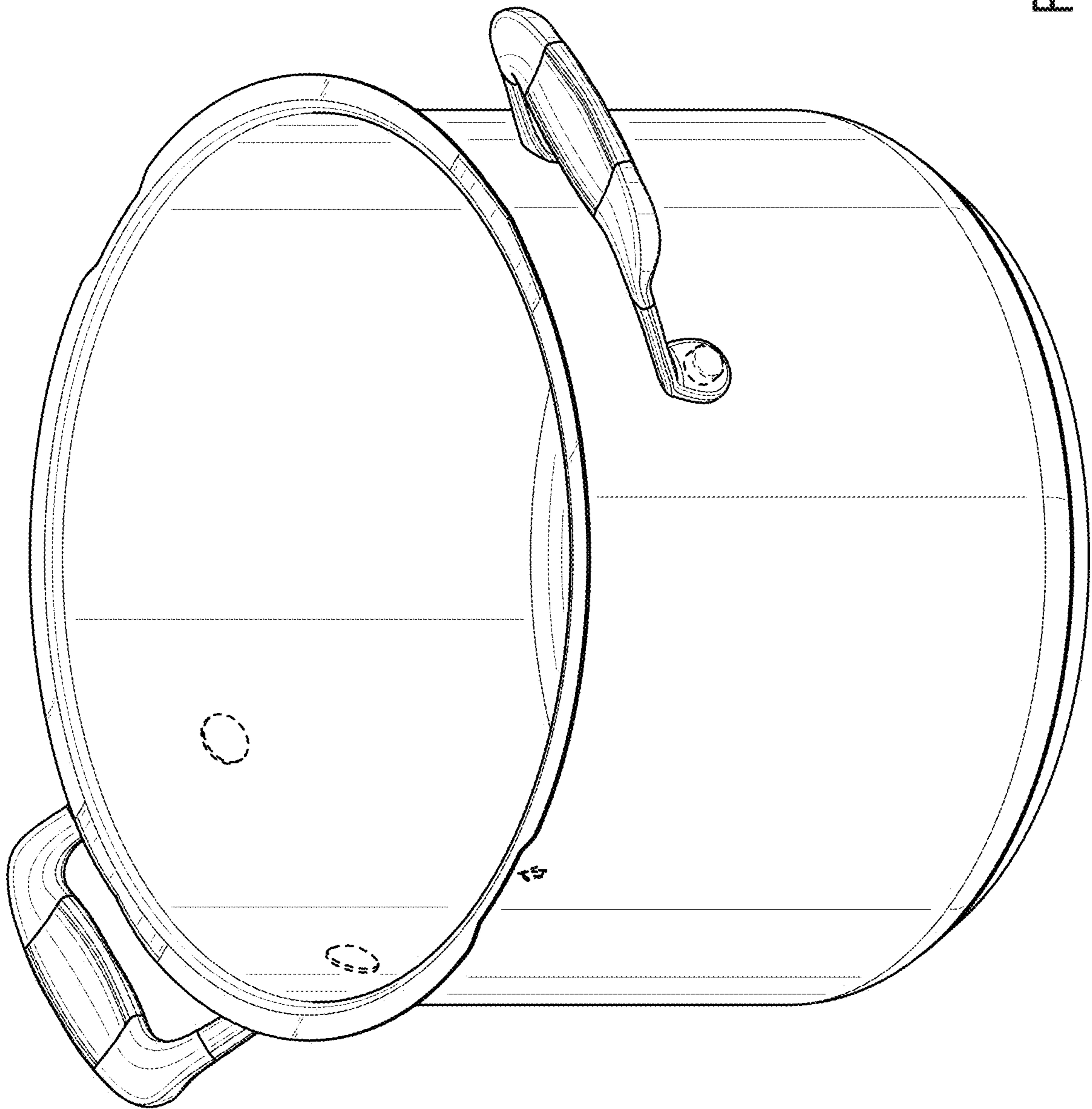


FIG. 1

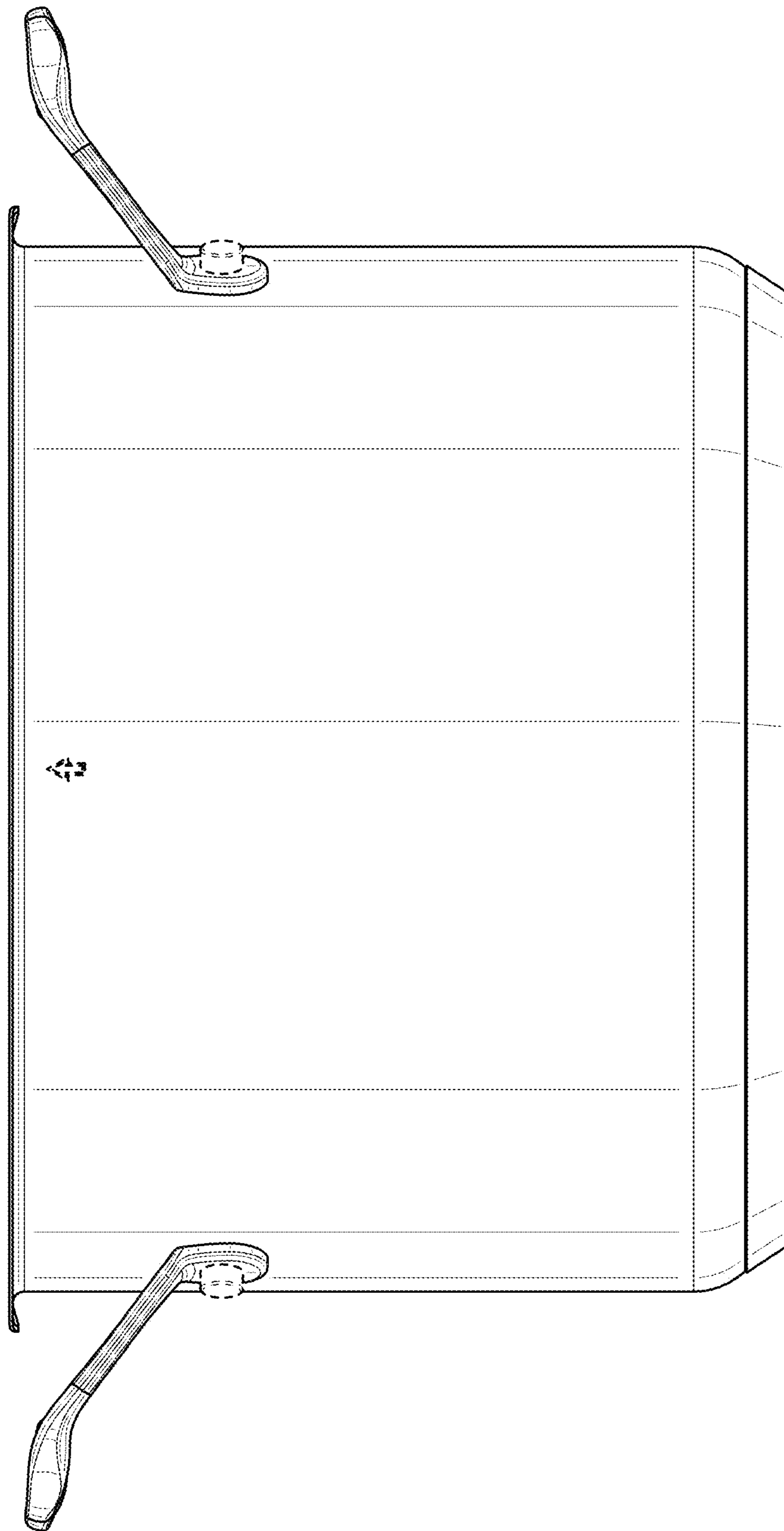


FIG. 2

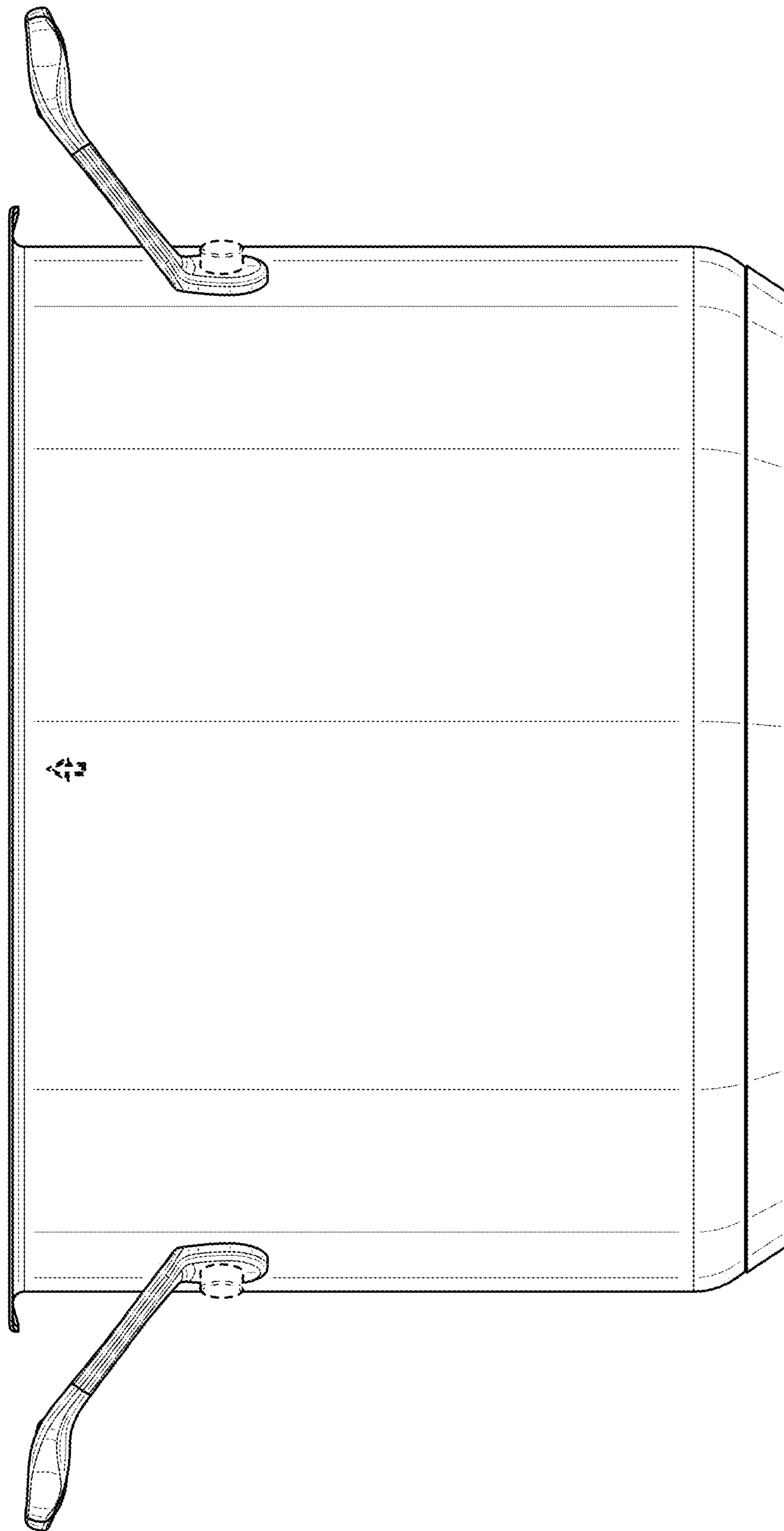


FIG. 3

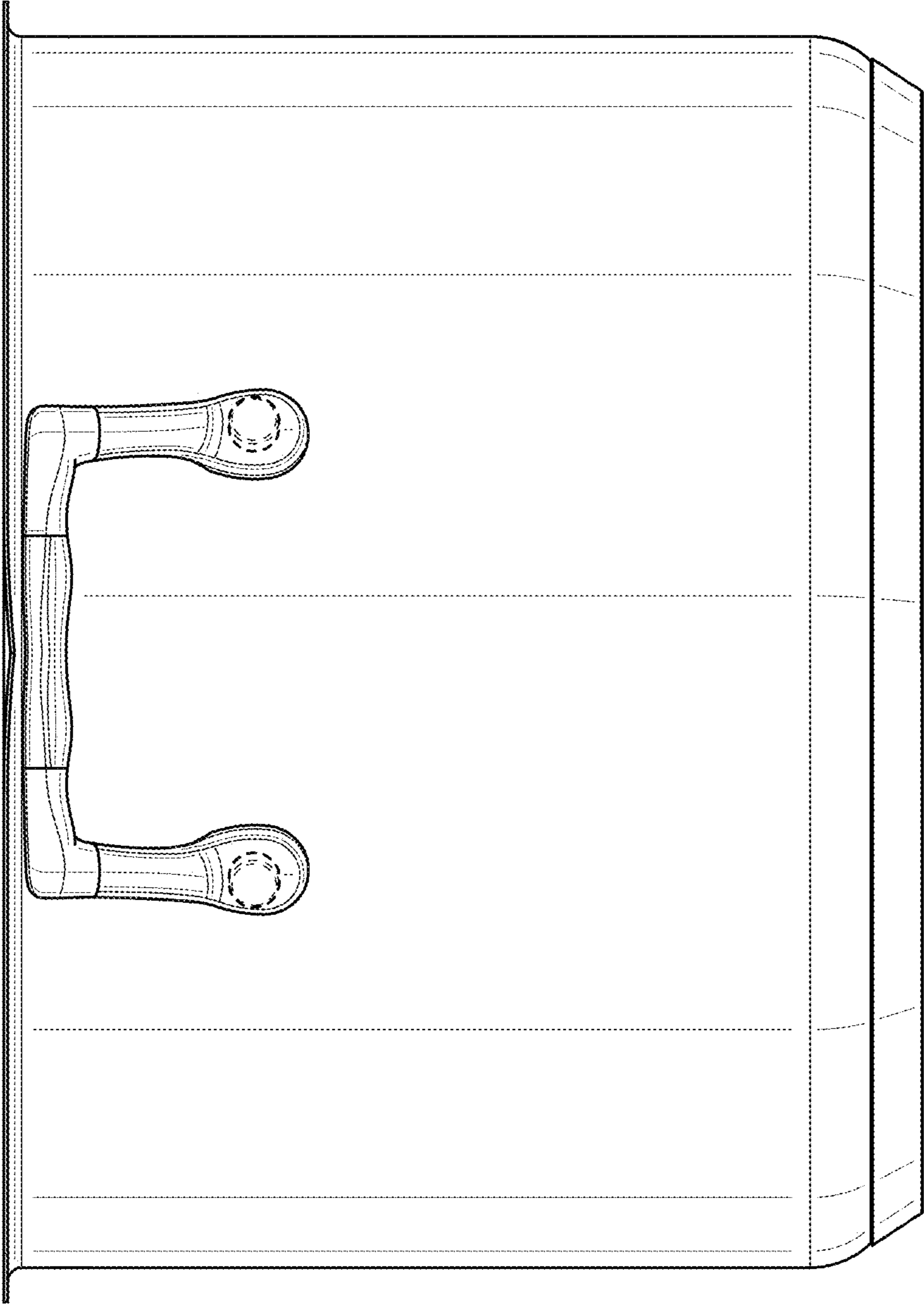


FIG. 4

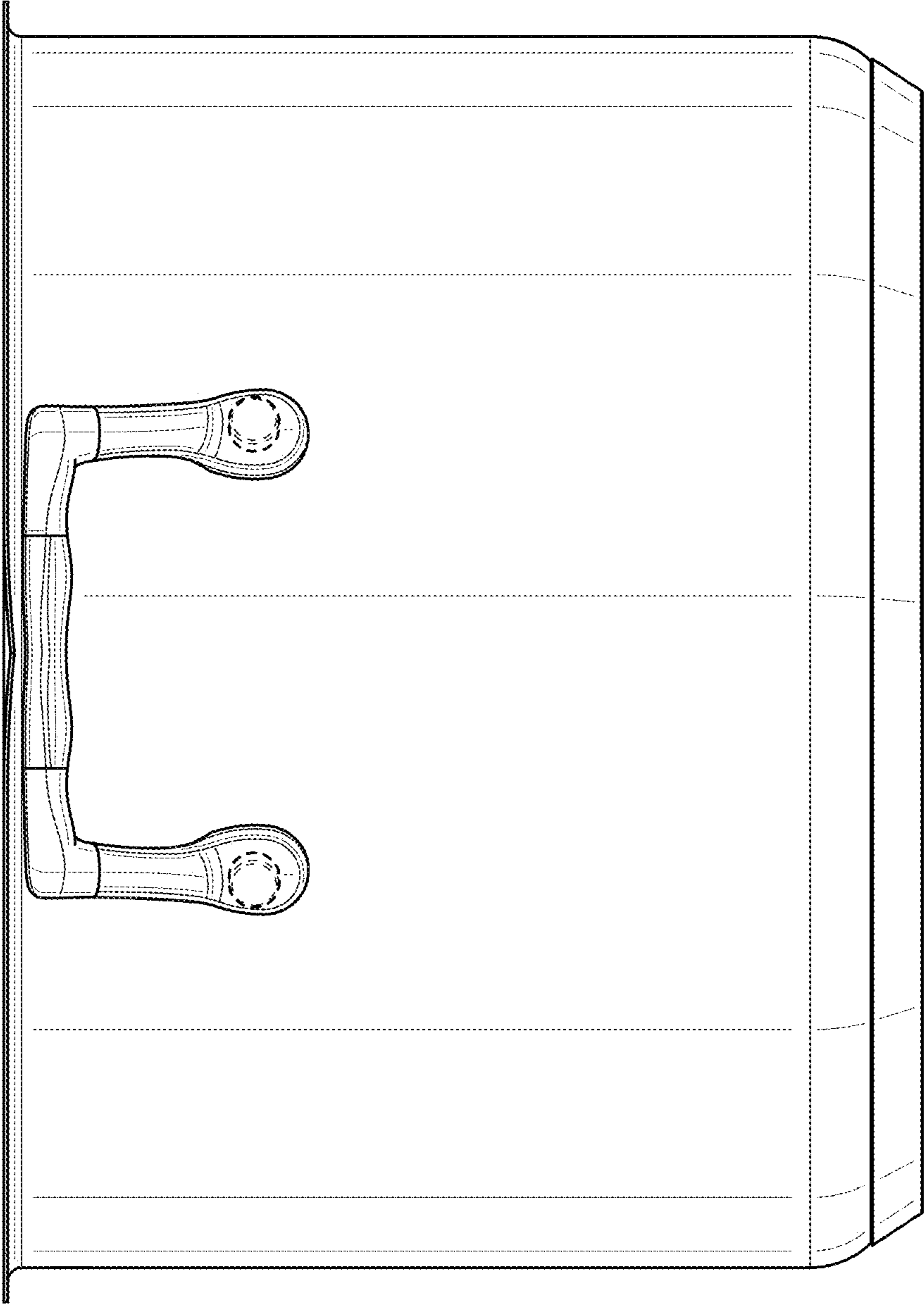


FIG. 5

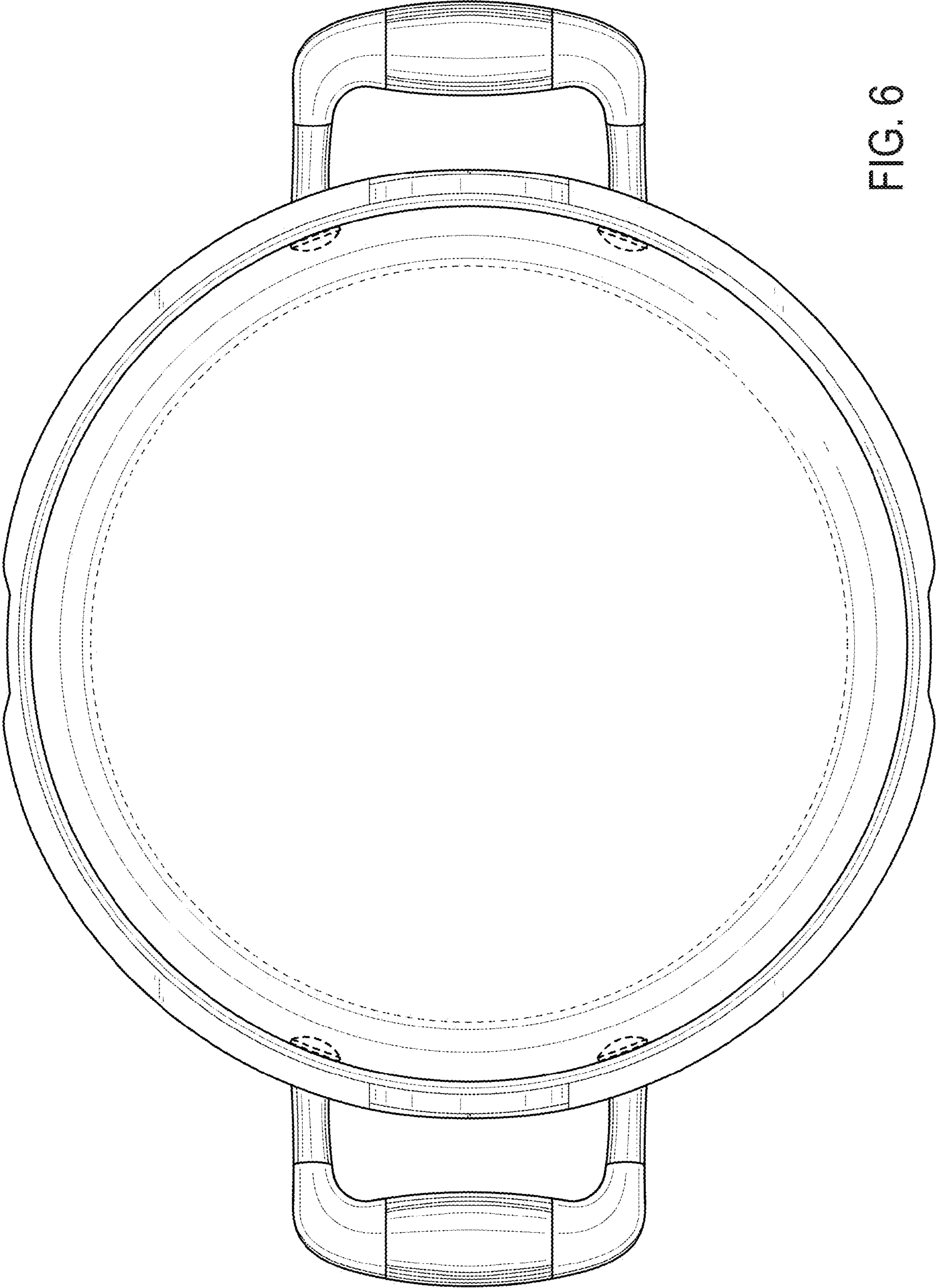


FIG. 6



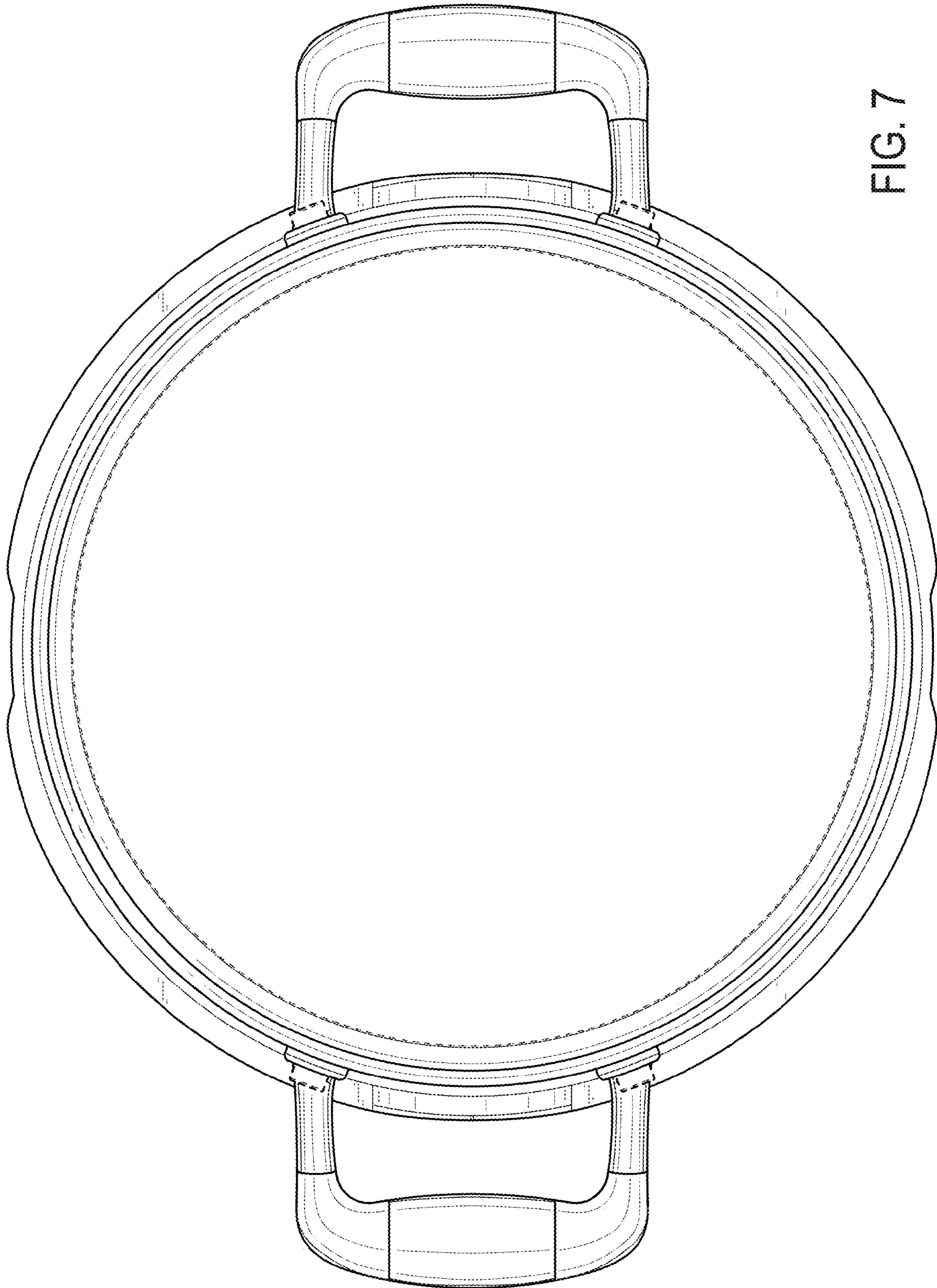


FIG. 7