



US00D973419S

(12) **United States Design Patent**  
**Becker et al.**

(10) **Patent No.:** **US D973,419 S**  
(45) **Date of Patent:** **\*\* Dec. 27, 2022**

(54) **FRYER**

(71) Applicant: **Kombo King (Proprietary) Limited**,  
Cape Town (ZA)

(72) Inventors: **Pierre Van Wyk Becker**, Cape Town  
(ZA); **Johannes Louw Malherbe**, Cape  
Town (ZA); **Andre Jacques Du Plessis**,  
Cape Town (ZA); **Christo John Botha**,  
Cape Town (ZA); **Dewald Basson**,  
Cape Town (ZA); **Daniel Francois**  
**Malan Laubscher**, Cape Town (ZA);  
**Grant Anthony Norton**, Cape Town  
(ZA); **Muhammed Uwaiz Khan**, Cape  
Town (ZA); **Taariq Muhammed Patel**,  
Cape Town (ZA); **Zitulele Luke**  
**Combi**, Cape Town (ZA); **Ari Hugh**  
**Jacobson**, Cape Town (ZA); **Mark**  
**Frankel**, Cape Town (ZA); **Farai**  
**Sithole**, Cape Town (ZA)

(73) Assignee: **KOMBO KING (PROPRIETARY)**  
**LIMITED**

(\*\*) Term: **15 Years**

(21) Appl. No.: **29/680,447**

(22) Filed: **Feb. 15, 2019**

(30) **Foreign Application Priority Data**

Aug. 16, 2018 (ZA) ..... F2018/01267

(51) **LOC (13) Cl.** ..... **07-02**

(52) **U.S. Cl.**  
USPC ..... **D7/354**

(58) **Field of Classification Search**

USPC ..... D7/323, 337, 339, 340, 341, 352, 354,  
D7/355, 356, 357, 358, 359, 360, 361,  
D7/393, 402, 403, 409, 601, 612

(Continued)

(56) **References Cited**

**U.S. PATENT DOCUMENTS**

4,474,107 A \* 10/1984 Cothran ..... A23B 4/052  
426/314

D291,047 S \* 7/1987 Pappas ..... D7/339  
(Continued)

**FOREIGN PATENT DOCUMENTS**

EM 006245593-0002 \* 2/2019

**OTHER PUBLICATIONS**

Perfect Fry, announced © 2001-2021 [online], retrieved Dec. 20,  
2021, retrieved from internet, [https://www.katom.com/661-PFA7200.html?gclid=Cj0KCQiA8ICOBhDmARIsAEGI6o1S6ZmtuDpU0SvWq7iMzxvppSOwJ4n5mwn2Wp7MYKQfN0OHUHdPG-EaAI0yEALw\\_wcB](https://www.katom.com/661-PFA7200.html?gclid=Cj0KCQiA8ICOBhDmARIsAEGI6o1S6ZmtuDpU0SvWq7iMzxvppSOwJ4n5mwn2Wp7MYKQfN0OHUHdPG-EaAI0yEALw_wcB).\*

(Continued)

*Primary Examiner* — Messina L Smith

(74) *Attorney, Agent, or Firm* — HM Law Group LLP;  
Vani Moodley, Esq.

(57) **CLAIM**

The ornamental design for a fryer, as shown and described.

**DESCRIPTION**

FIG. 1 is a front view of a fryer showing the new design with  
the front door closed and the chutes in the open position.

FIG. 2 is a rear view of the fryer with the rear door closed  
and the chutes in the open position.

FIG. 3 is a right side view of the fryer with the front and rear  
doors closed and the chutes in the open position.

FIG. 4 is a left side view with the front and rear doors closed  
and the chutes in the open position.

FIG. 5 is a front perspective view of the fryer with the front  
door closed and the chutes in the closed position.

FIG. 6 is a front perspective view of the fryer with the front  
door open and the chutes in the closed position.

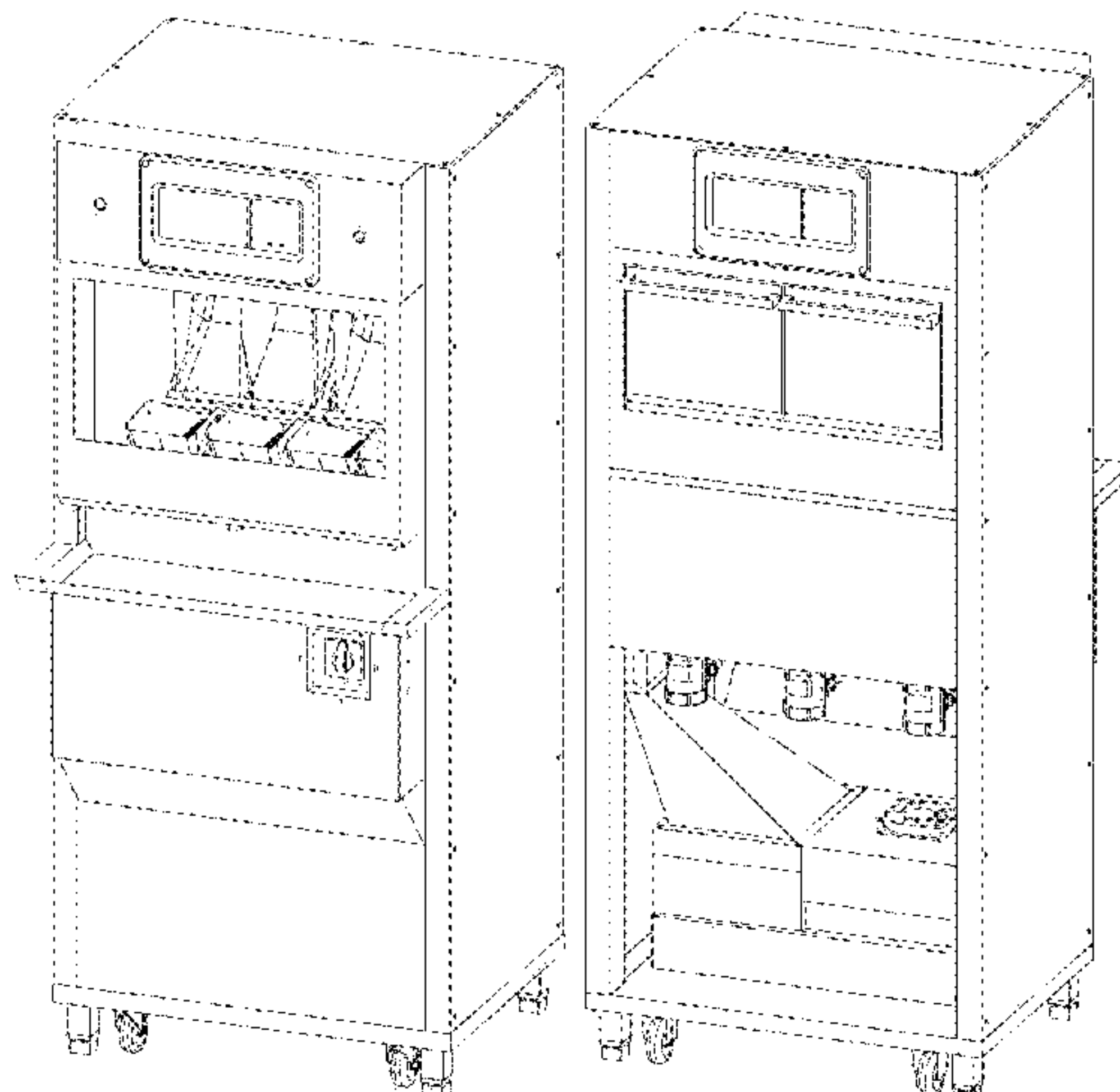
FIG. 7 is a rear perspective view of the fryer with the rear  
door closed and the chutes in the closed position.

FIG. 8 is a rear perspective view of the fryer with the rear  
door open and the chutes in the closed position.

FIG. 9 is a rear perspective view of the fryer with the rear  
door closed and the chutes in the open position; and,

FIG. 10 is a rear perspective view of the fryer with the rear  
door open and the chutes in the open position.

(Continued)



The broken lines shown in the drawings depict portions of the fryer that form no part of the claimed design.

**1 Claim, 10 Drawing Sheets**

(58) **Field of Classification Search**

CPC .... A21B 1/06; A21B 1/26; A21B 1/50; A21B 1/52; A47J 37/04; A47J 37/06; A47J 37/015; A47J 37/067; A47J 37/0629; A47J 37/0676; A47J 37/108; A47J 36/16; A47J 36/20; A47J 36/22; F24C 7/06; F24C 15/02; H05B 3/20; H05B 3/40

See application file for complete search history.

(56)

**References Cited**

U.S. PATENT DOCUMENTS

D309,547	S *	7/1990	Kane	.....	D7/323
D314,305	S *	2/1991	Wright	.....	D7/340
5,042,458	A *	8/1991	Spencer	.....	F24C 15/2042 126/21 A
D337,021	S *	7/1993	Boetto	.....	D7/339
D462,567	S *	9/2002	Smith	.....	D7/354
7,196,291	B2 *	3/2007	Cothran	.....	F24C 7/06 219/393
D646,503	S *	10/2011	Fiori	.....	D6/661
D704,981	S *	5/2014	Gates	.....	D7/332
D724,887	S *	3/2015	Lee	.....	D7/339

D726,492	S *	4/2015	Lee	.....	D7/339
D726,493	S *	4/2015	Lee	.....	D7/309
D749,903	S *	2/2016	Lee	.....	D7/402
D758,782	S *	6/2016	Schwamkrug	.....	D7/339
D773,231	S *	12/2016	Franzolin	.....	D7/339
D783,335	S *	4/2017	Franzolin	.....	D7/339
2005/0056156	A1 *	3/2005	Habermann	.....	A21B 1/40 99/386
2008/0250939	A1 *	10/2008	See	.....	A47J 37/1271 99/403
2009/0159070	A1 *	6/2009	Franzolin	.....	F24C 15/02 126/273 R
2015/0238051	A1 *	8/2015	Xu	.....	A47J 37/101 99/487
2016/0235078	A1 *	8/2016	Farina	.....	A47J 37/0718
2016/0298856	A1 *	10/2016	Trood	.....	F24C 15/023

OTHER PUBLICATIONS

Fryer Tech—ANYWHEREANYTIMEANYPLACEANYWHERE, announced 2021 [online], retrieved Dec. 20, 2021, retrieved from internet, <https://komboking.co.za/>.\*

South African fryers maker Kombo King to expand market following Vumela investment, announced May 6, 2021 [online], retrieved Dec. 20, 2021, retrieved from internet, <https://www.foodbusinessafrica.com/south-african-fryers-maker-kombo-king-set-for-expansive-rollout-following-vumela-investment/>.\*

Placing an Order on the Kombo King Large Fryer, announced Dec. 4, 2020 [online], retrieved Dec. 20, 2021, retrieved from internet, <https://www.youtube.com/watch?v=6F3kqej3gcY>.\*

\* cited by examiner

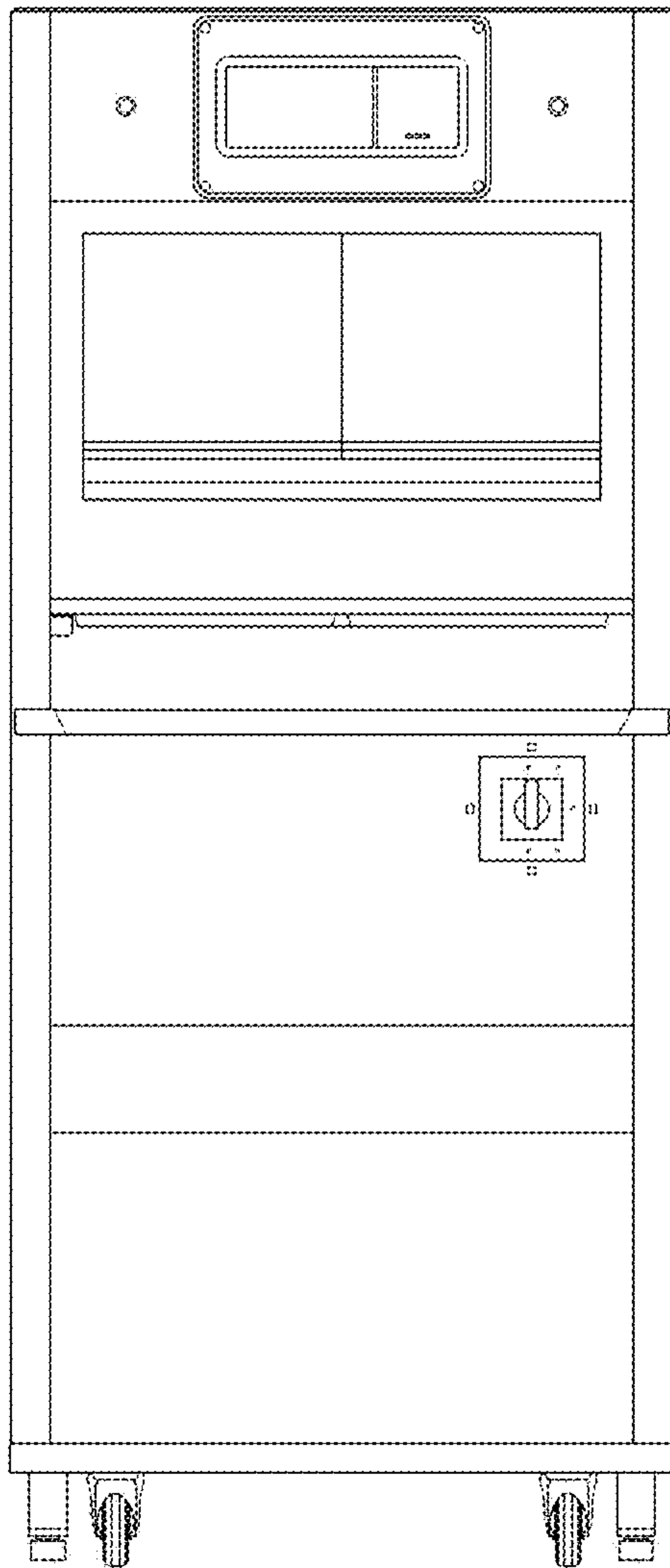


Figure 1

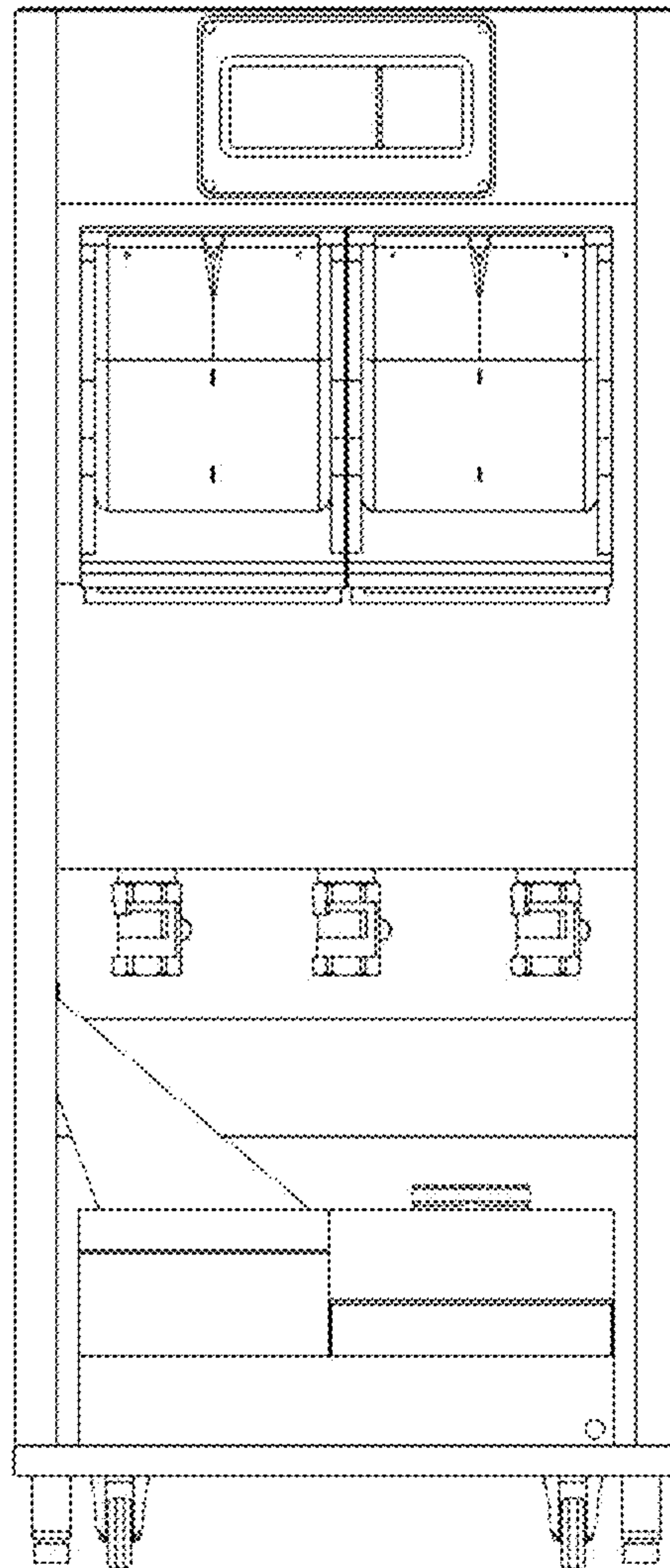


Figure 2



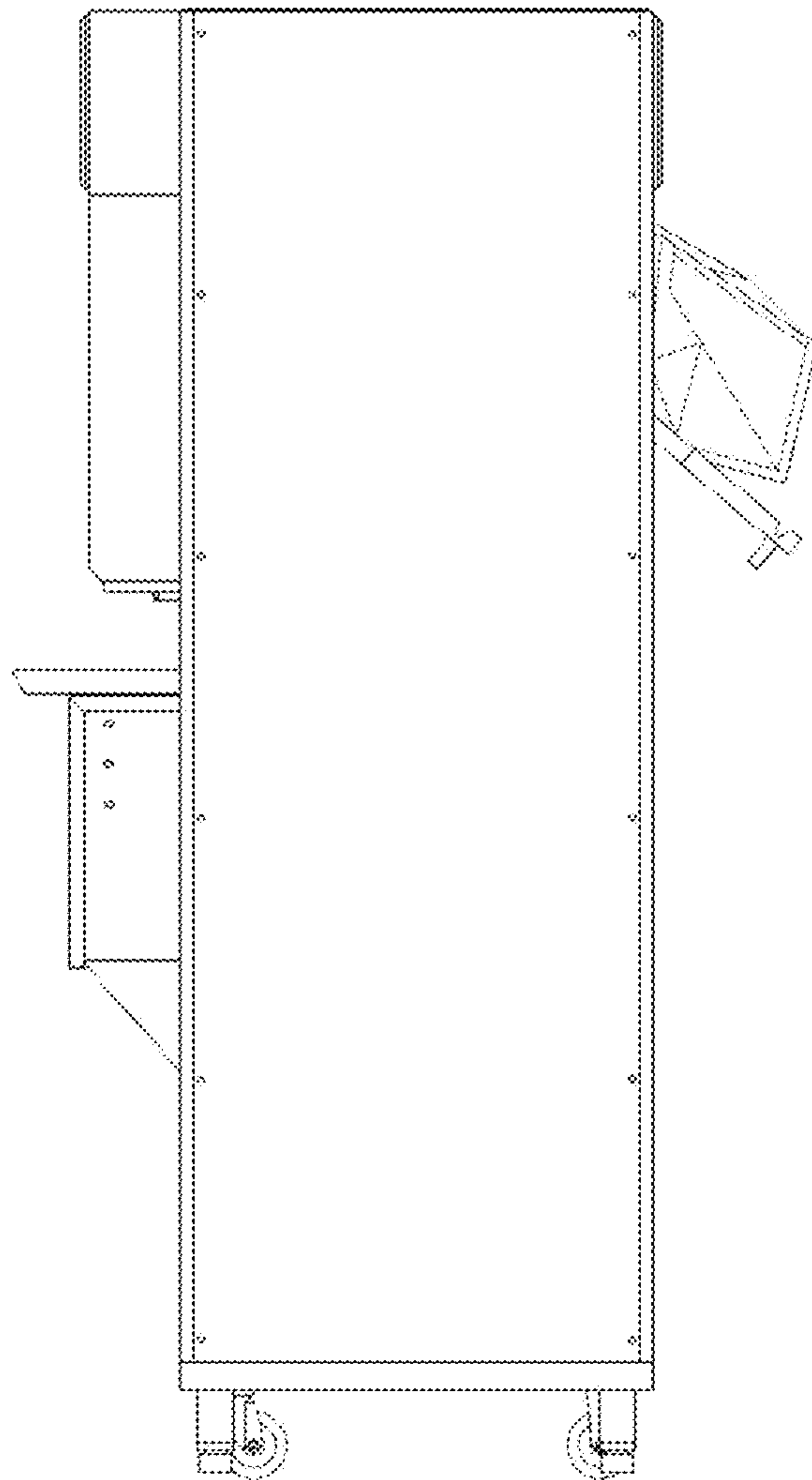


Figure 3

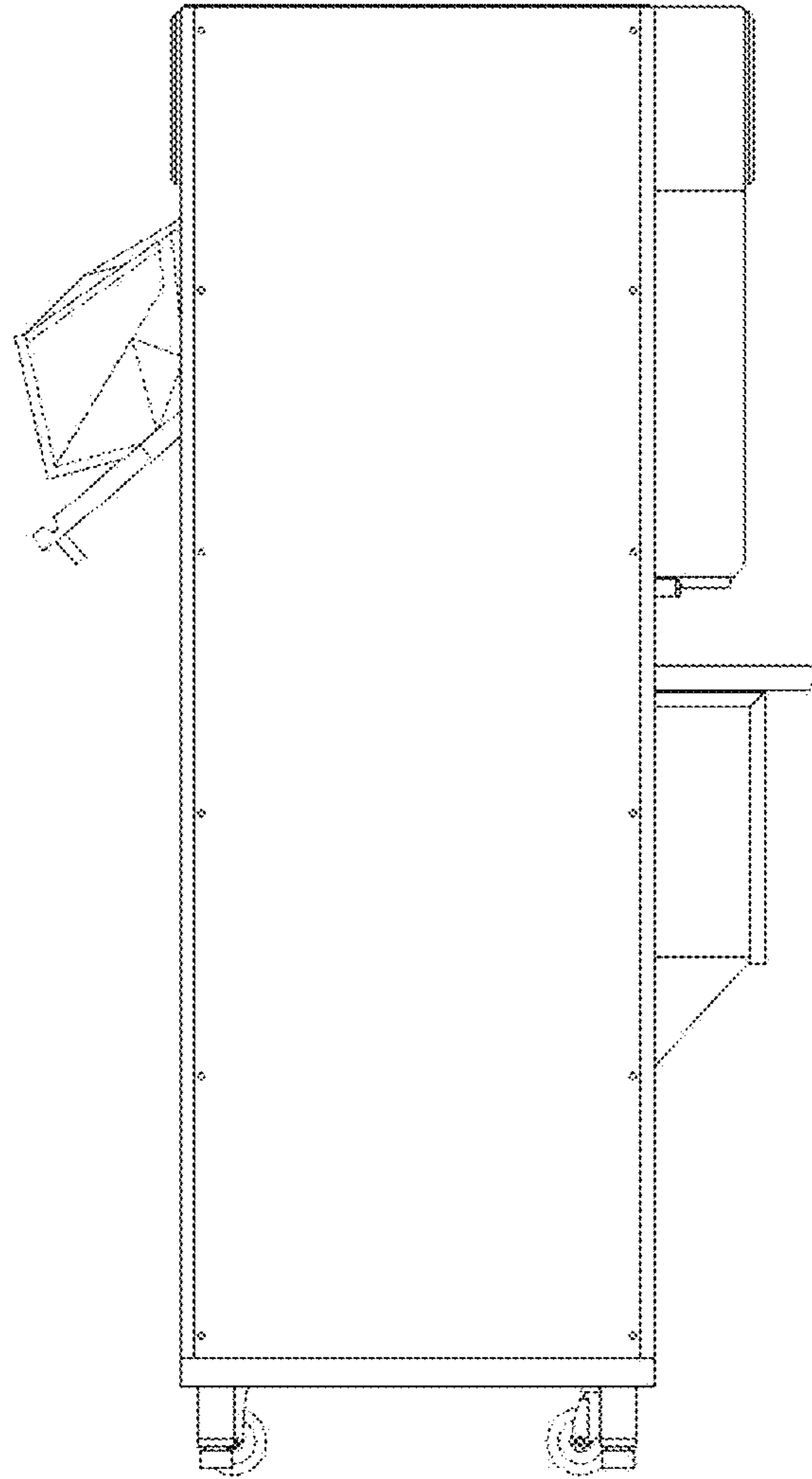


Figure 4

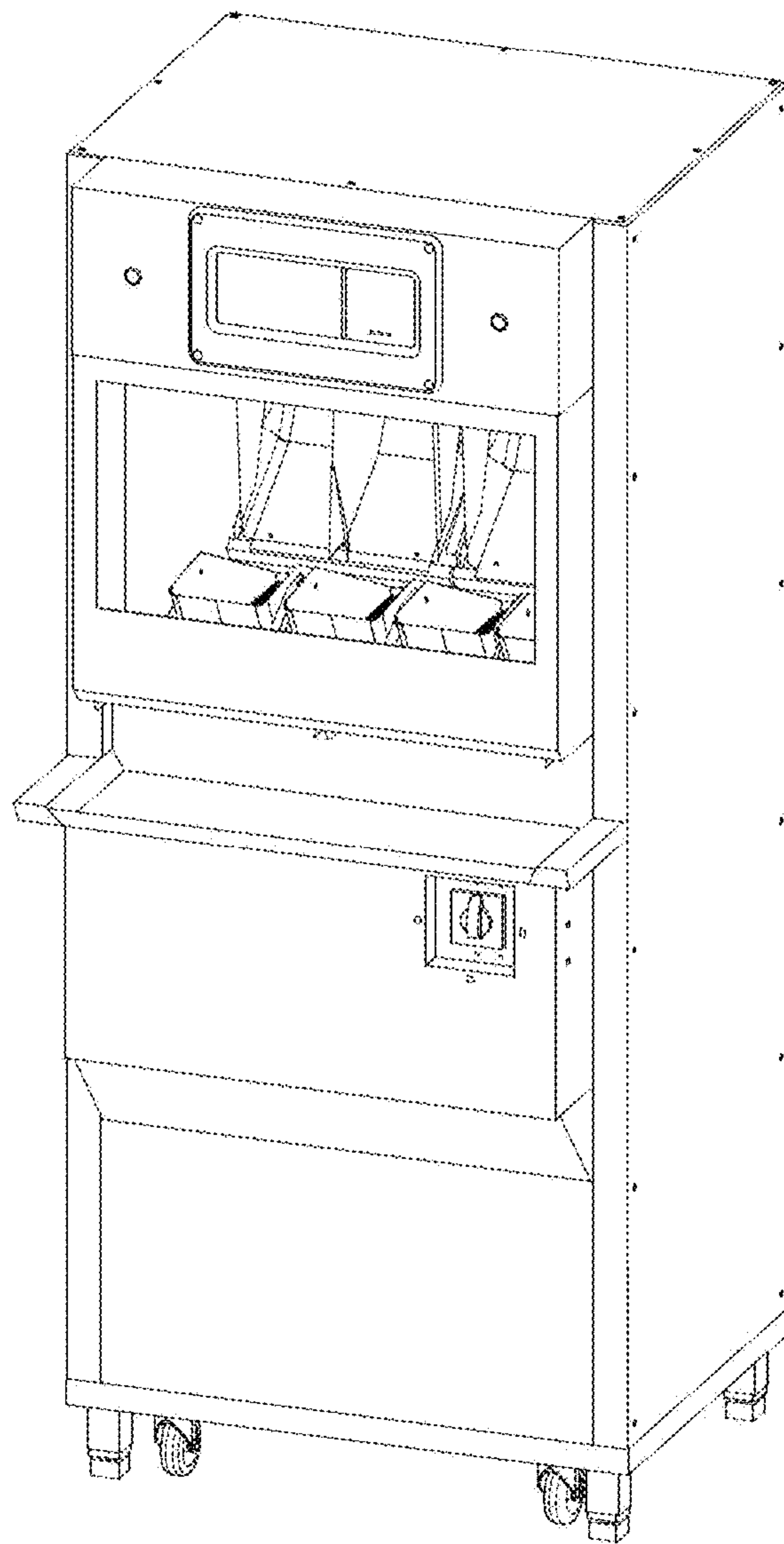


Figure 5

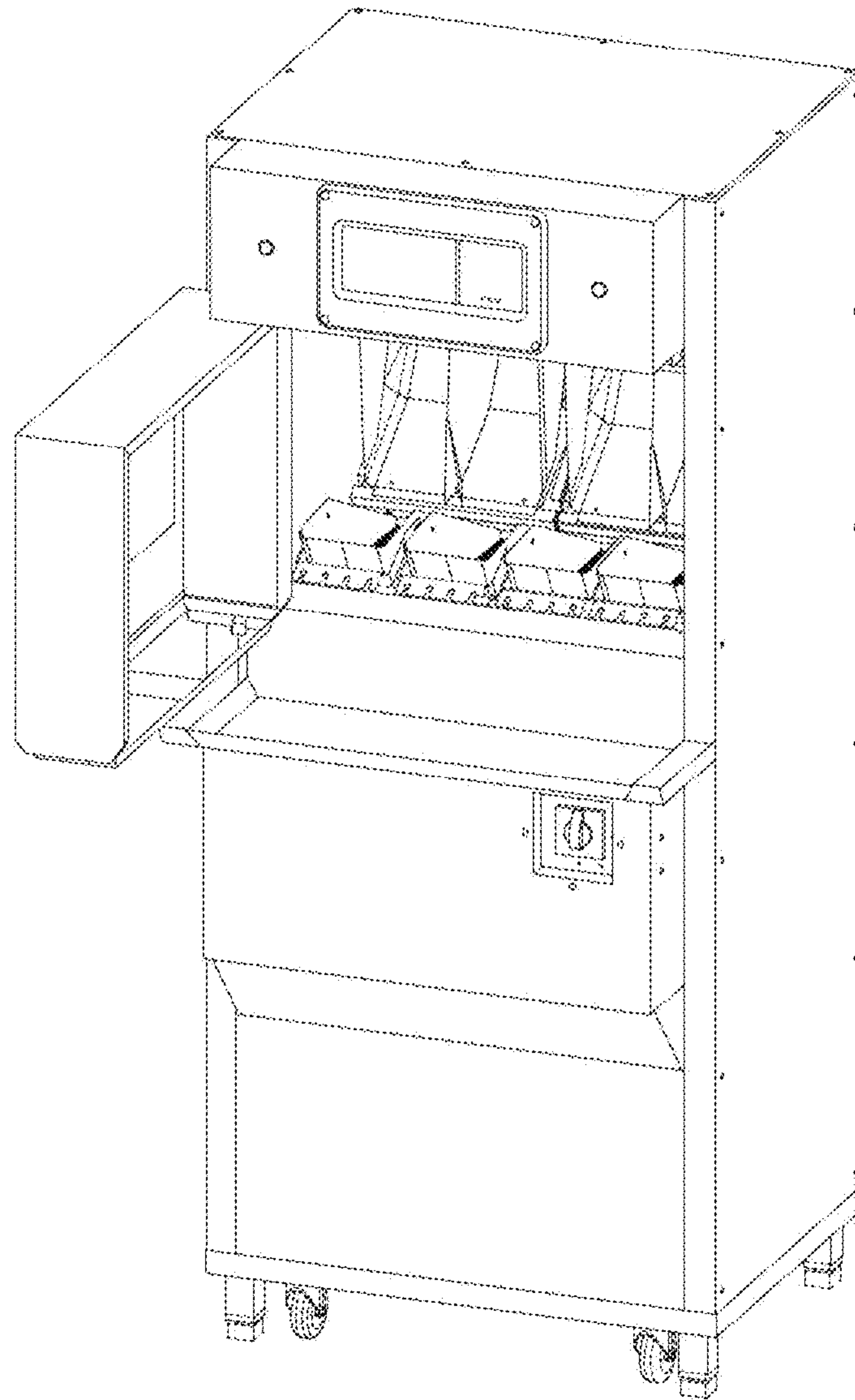


Figure 6



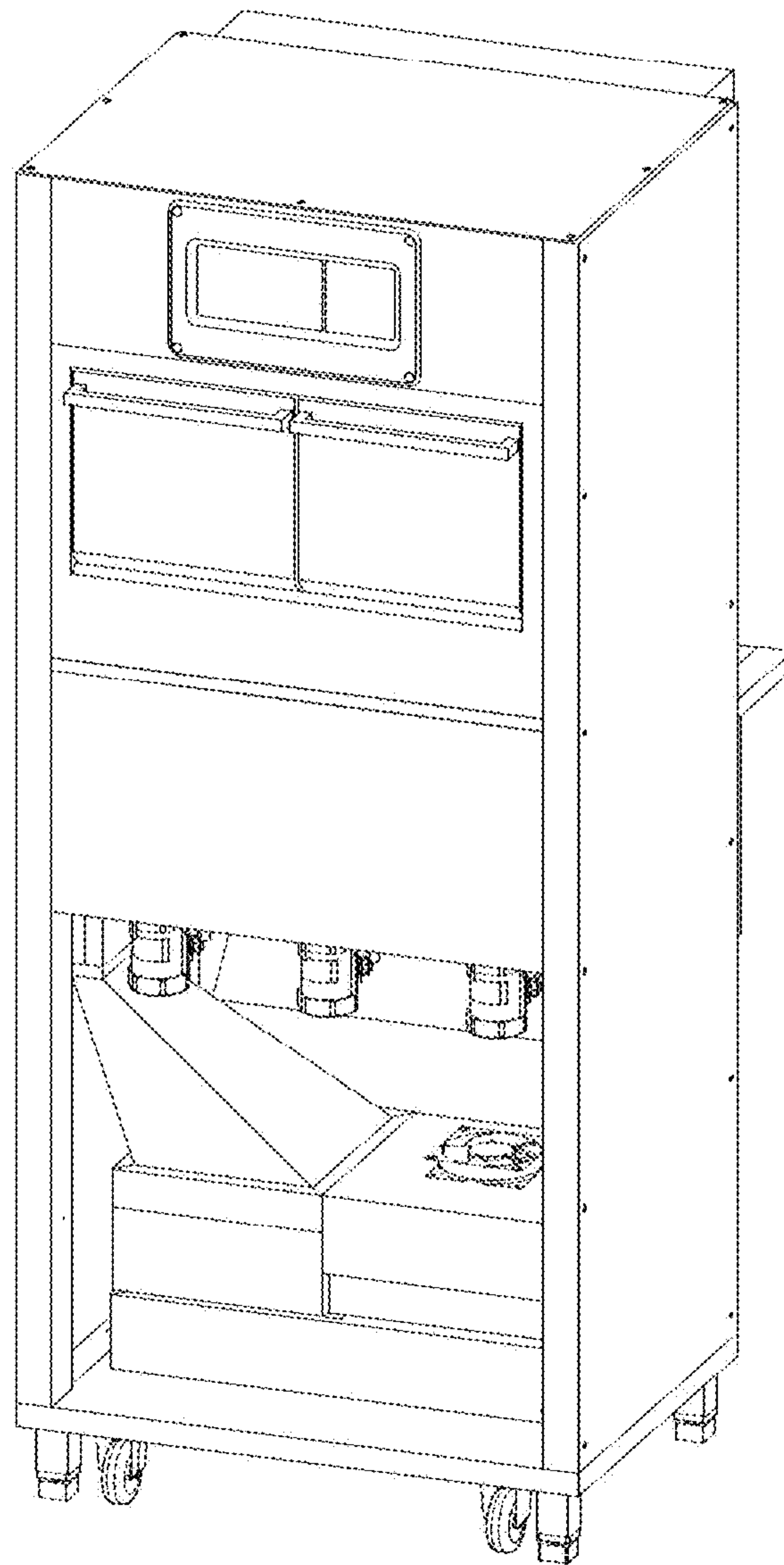


Figure 7

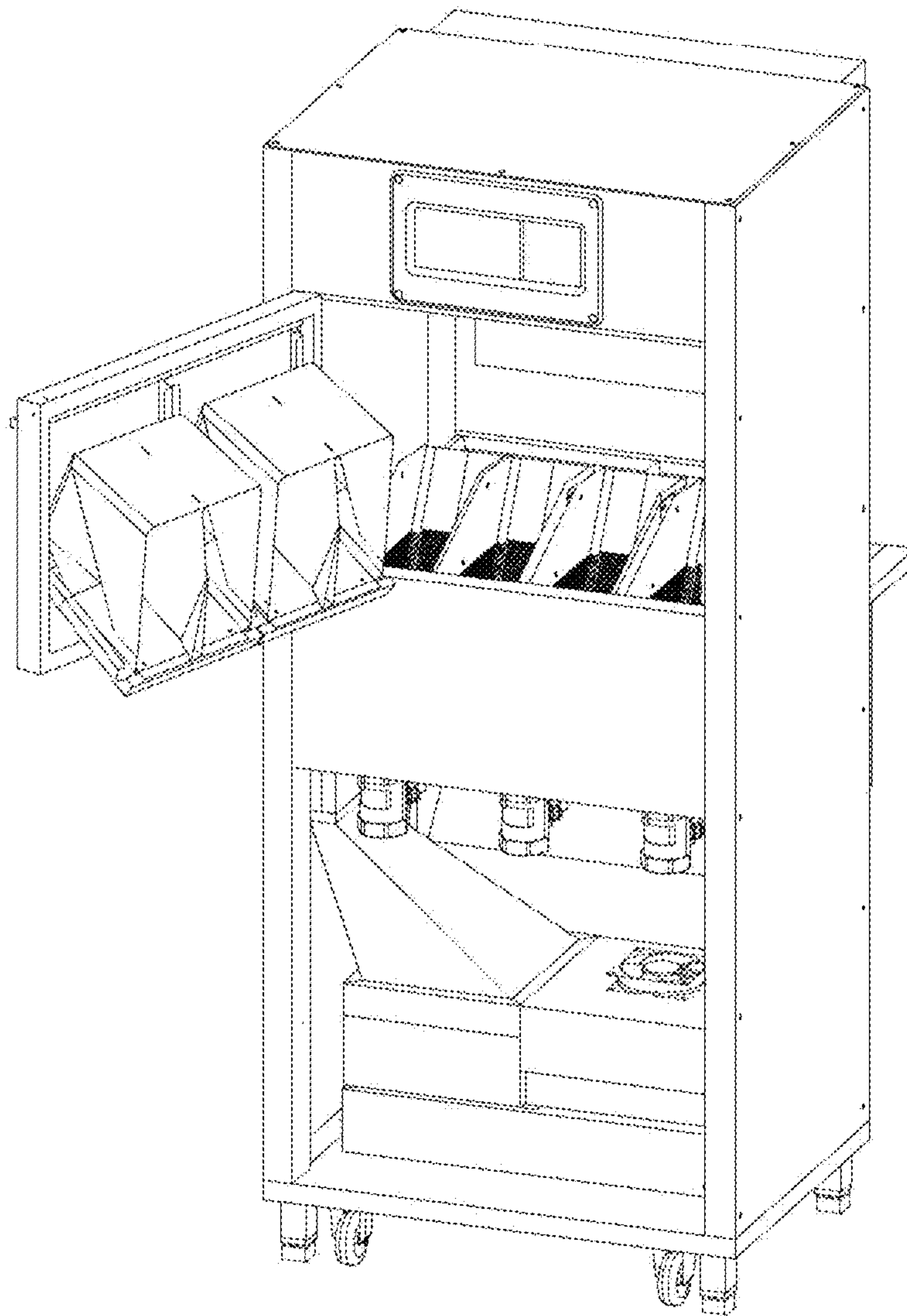


Figure 8

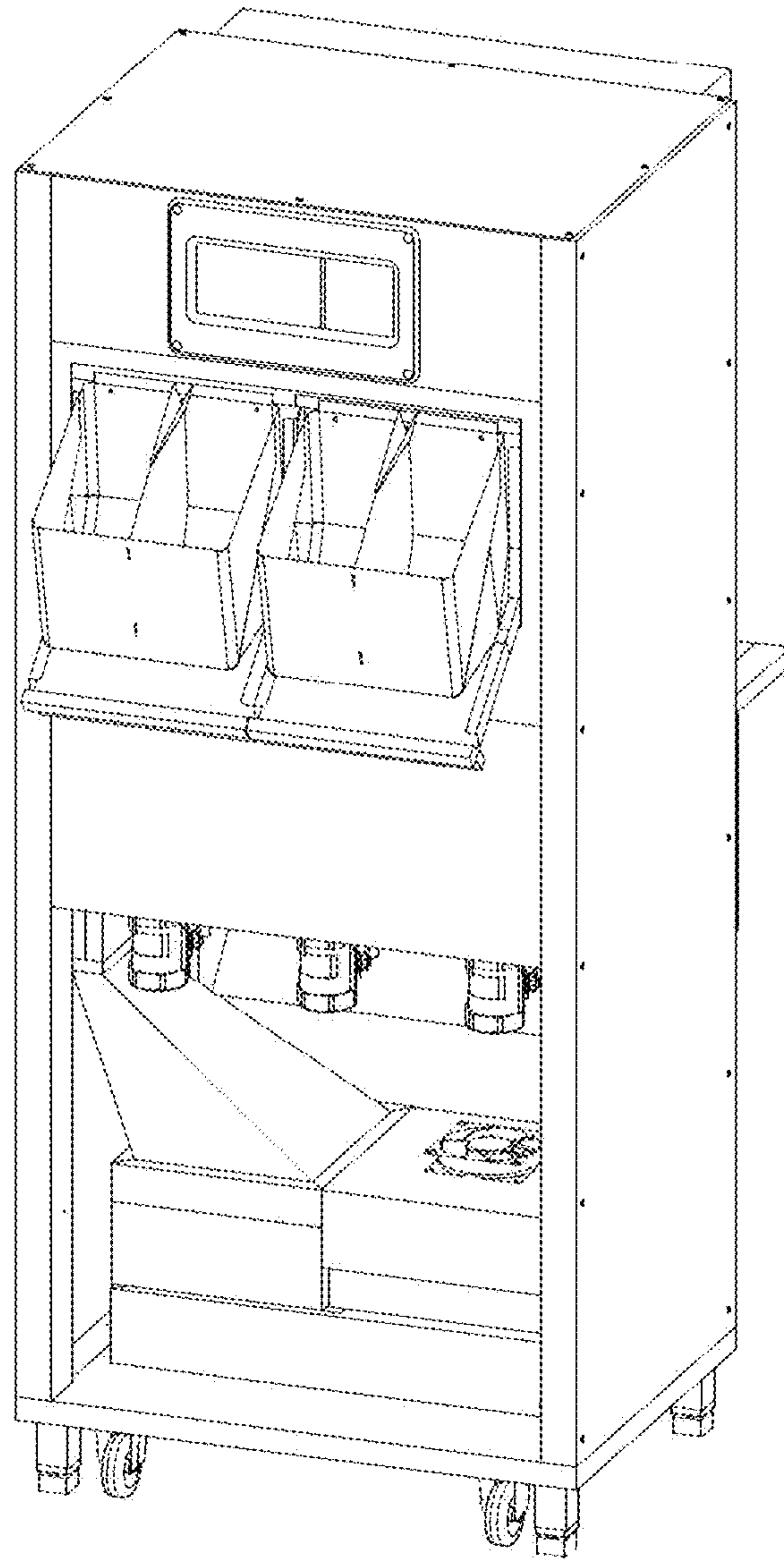


Figure 9

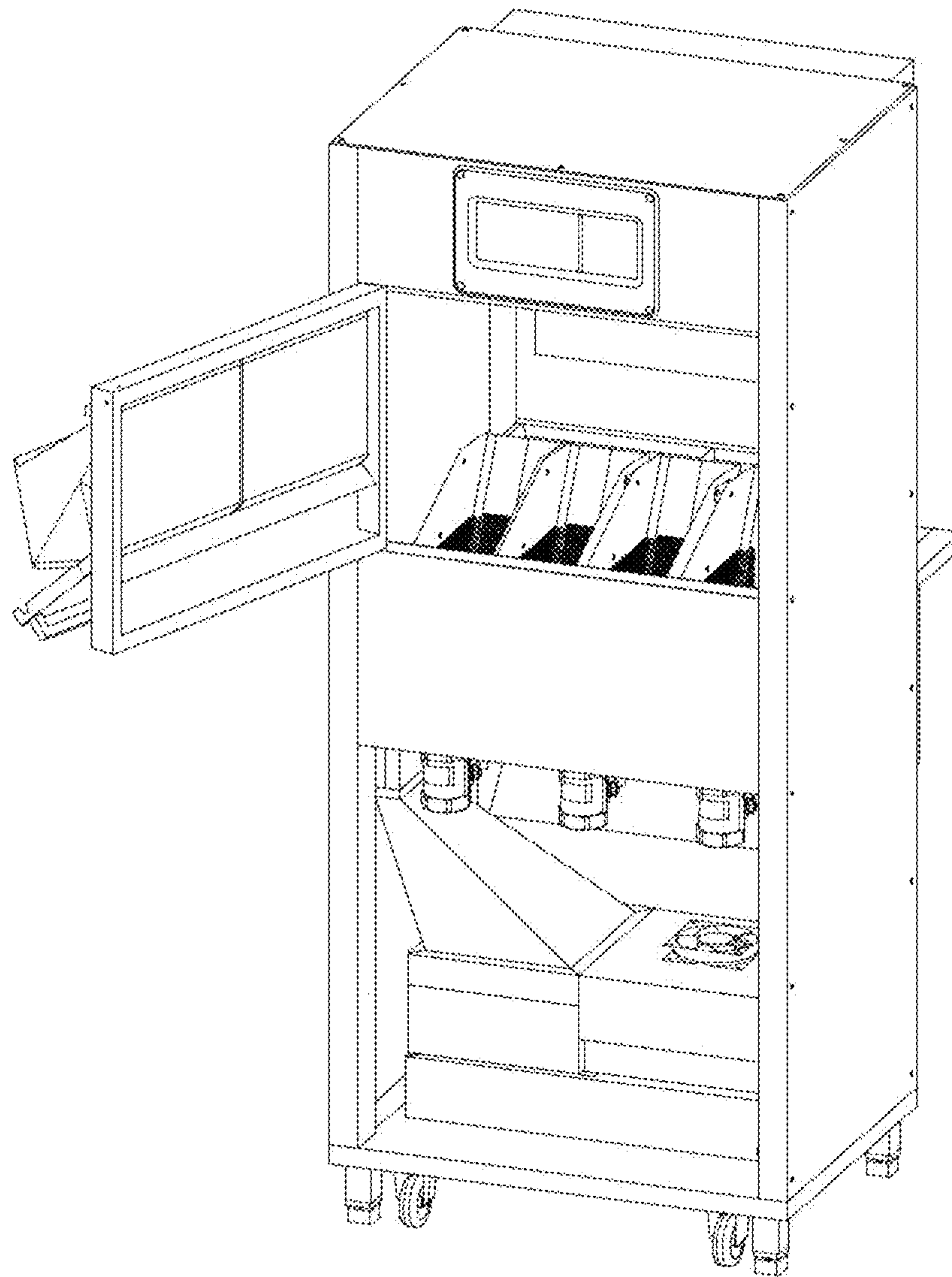


Figure 10