



US00D973417S

(12) **United States Design Patent** (10) **Patent No.:** **US D973,417 S**
Tian (45) **Date of Patent:** **** Dec. 27, 2022**

(54) **DEHYDRATOR**

(71) Applicant: **Hamilton Beach Brands, Inc.**, Glen Allen, VA (US)

(72) Inventor: **Guanghai Tian**, Shaoxing (CN)

(73) Assignee: **Hamilton Beach Brands, Inc.**, Glen Allen, VA (US)

(**) Term: **15 Years**

(21) Appl. No.: **29/741,248**

(22) Filed: **Jul. 10, 2020**

(51) **LOC (13) Cl.** **07-02**

(52) **U.S. Cl.**
USPC **D7/323**; D7/368; D7/347

(58) **Field of Classification Search**
USPC ... D7/323, 328, 329, 348, 350.1–350.4, 351, D7/354, 358, 368, 402, 665, 347; D24/216, 220
CPC A23L 3/40; A23L 3/44; A47J 37/00; A47J 37/06; A47J 37/0623; A47J 44/00; F26B 9/00; F26B 9/003; F26B 25/18
See application file for complete search history.

(56) **References Cited**

U.S. PATENT DOCUMENTS

D527,464 S * 8/2006 Ina D24/216
D691,842 S * 10/2013 Ha D7/323
D734,973 S * 7/2015 Leavitt D7/323
D889,189 S * 7/2020 Zou D7/347
D897,143 S * 9/2020 Taylor D7/347
D909,806 S * 2/2021 Hu D7/350.1
D910,363 S * 2/2021 Wong D7/350.4

D931,674 S * 9/2021 Bock A23F 5/32
D7/350.1
2018/0073806 A1* 3/2018 Dern A23F 5/32
2018/0306510 A1* 10/2018 Leppert A23L 3/40

OTHER PUBLICATIONS

Cosori Premium Dehydrator, first available Apr. 15, 2019, Amazon, [online], [site visited Jan. 5, 2022], Available from internet URL: <https://www.amazon.com/COSORI-Dehydrator-Stainless-Temperature-Compliant/dp/B07PY5M579> (Year: 2019).*
Weston 28-0301-W Pro-1200 Steel Alloy 12-Rack Food Dehydrator with Glass Door, Restaurant Supply, [online], [site visited Jan. 5, 2022], Available from internet URL: <https://www.restaurantupply.com/weston-28-0301-w-pro-1200-steel-alloy-12-rack-food-dehydrator-with-glass-door-1600w> (Year: 2022).*

* cited by examiner

Primary Examiner — Mary Ann Calabrese
Assistant Examiner — Natalya M Rapundalo
(74) *Attorney, Agent, or Firm* — Alexander D. Raring

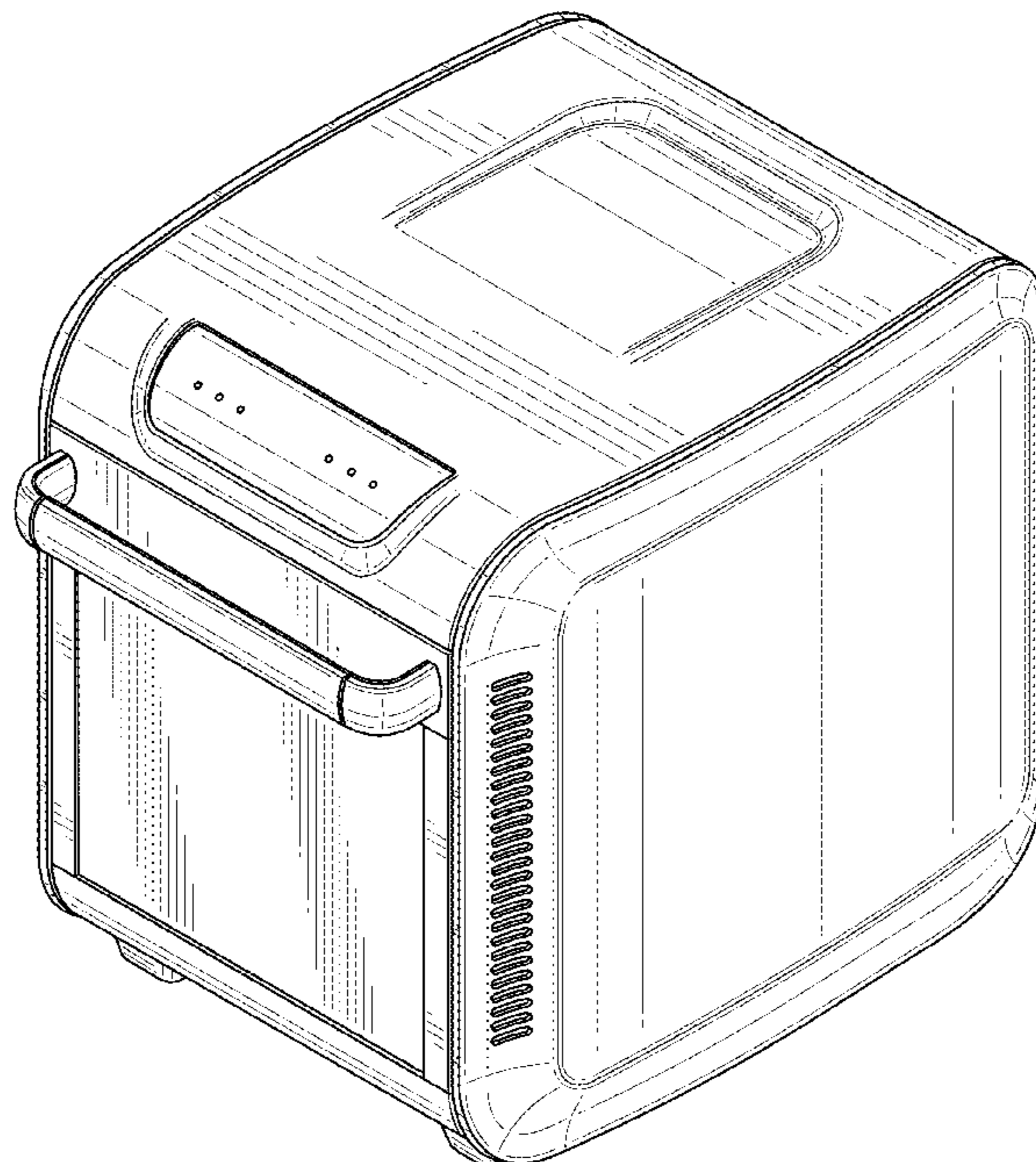
(57) **CLAIM**

The ornamental design for a dehydrator, as shown and described.

DESCRIPTION

FIG. 1 is a top, right and front perspective view of a dehydrator showing the new design;
FIG. 2 is a front view thereof;
FIG. 3 is a rear view thereof;
FIG. 4 is a left side view thereof;
FIG. 5 is a right side view thereof;
FIG. 6 is a top view thereof; and,
FIG. 7 is a bottom view thereof.
The broken lines in the drawings represent portions of the dehydrator and form no part of the claimed design.

1 Claim, 7 Drawing Sheets



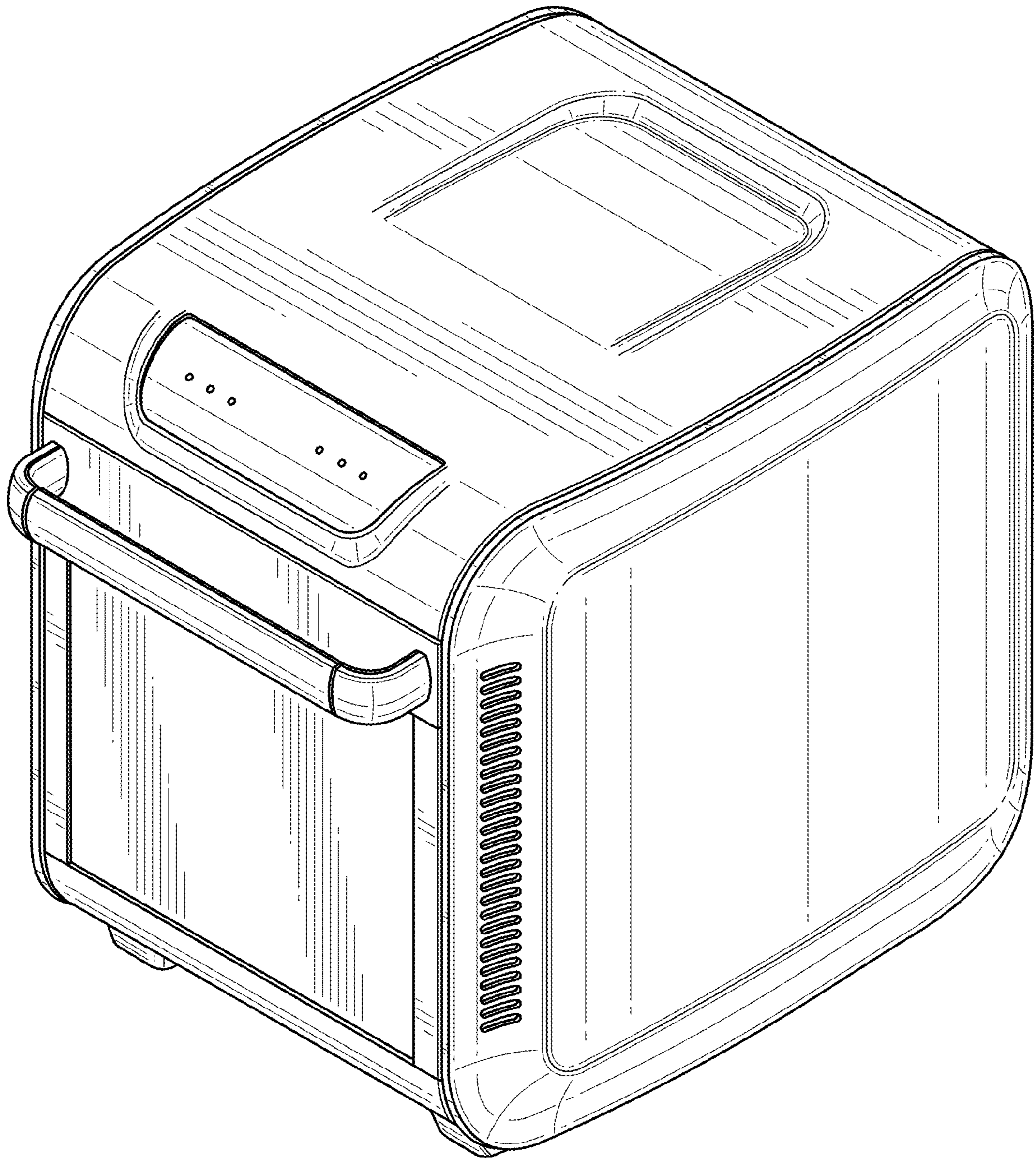


FIG. 1

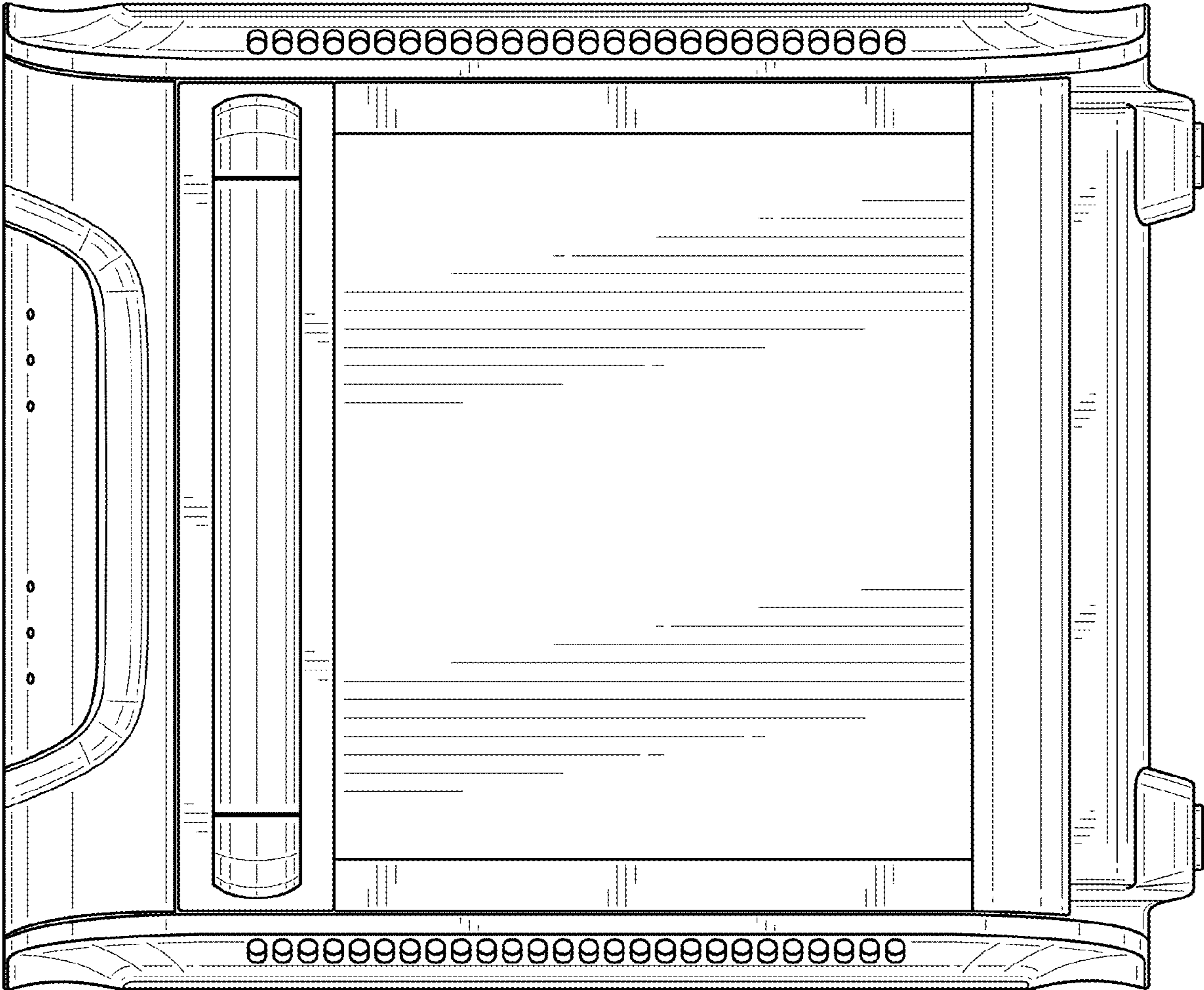


FIG. 2

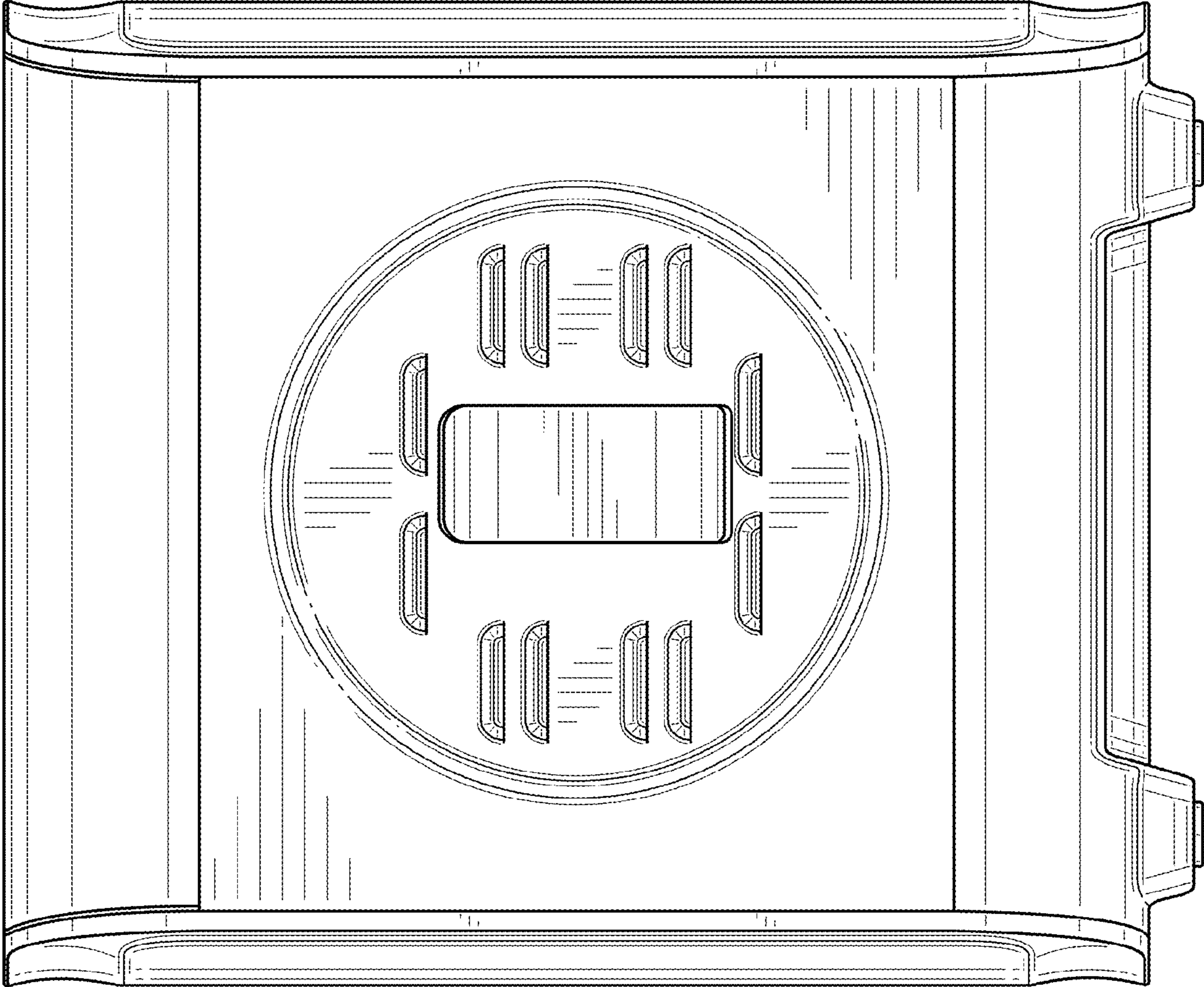


FIG. 3

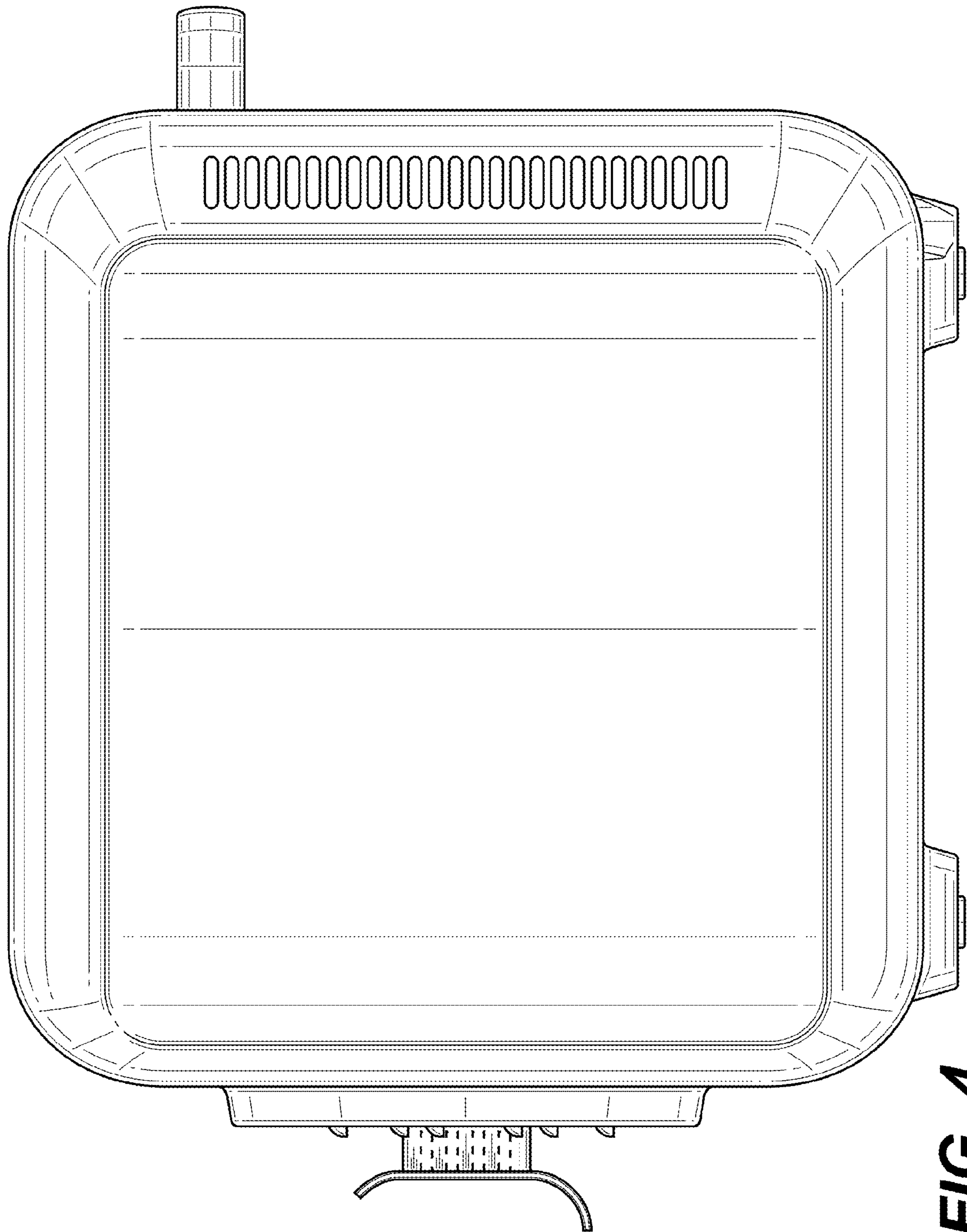


FIG. 4



FIG. 5

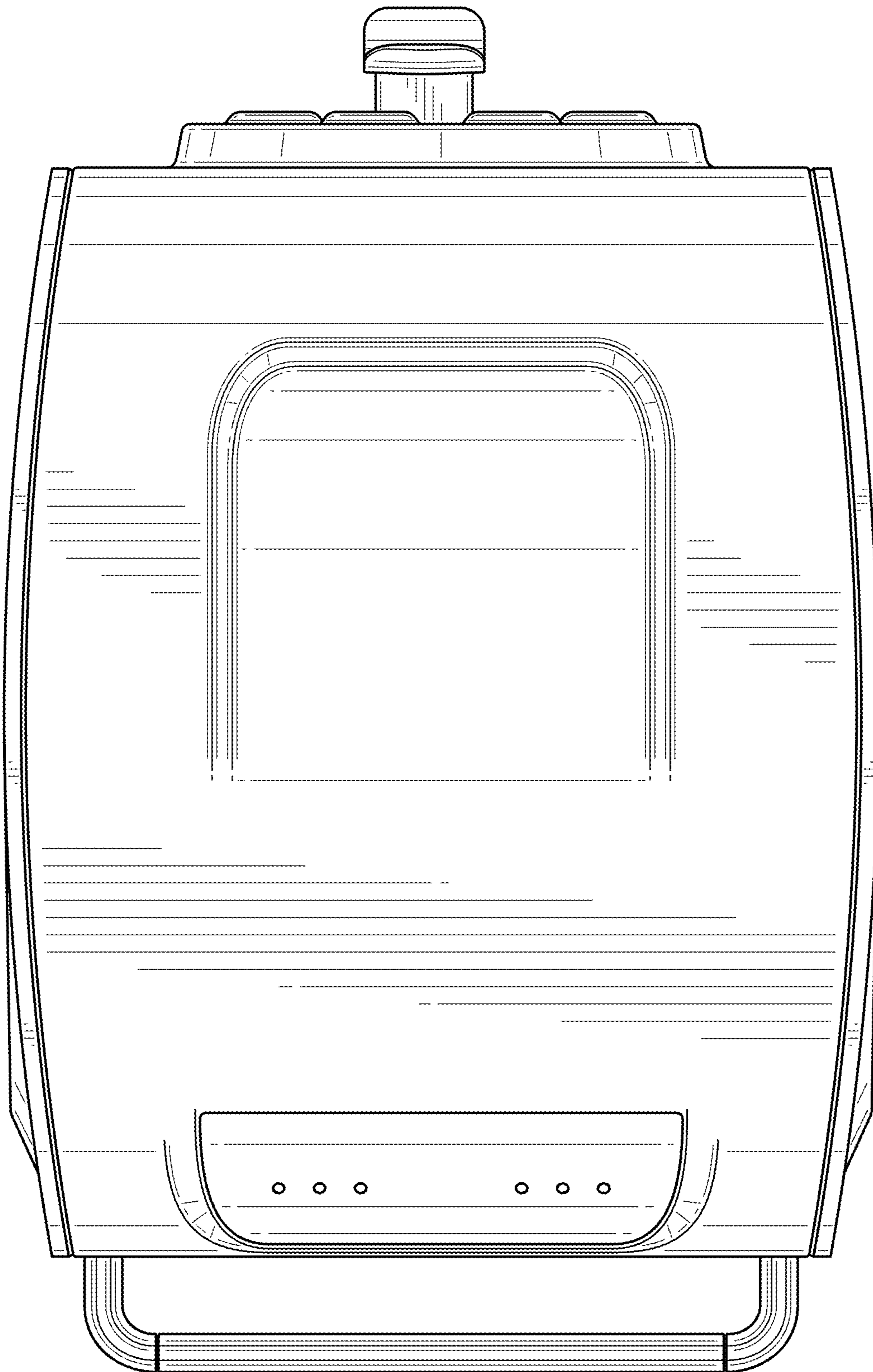


FIG. 6

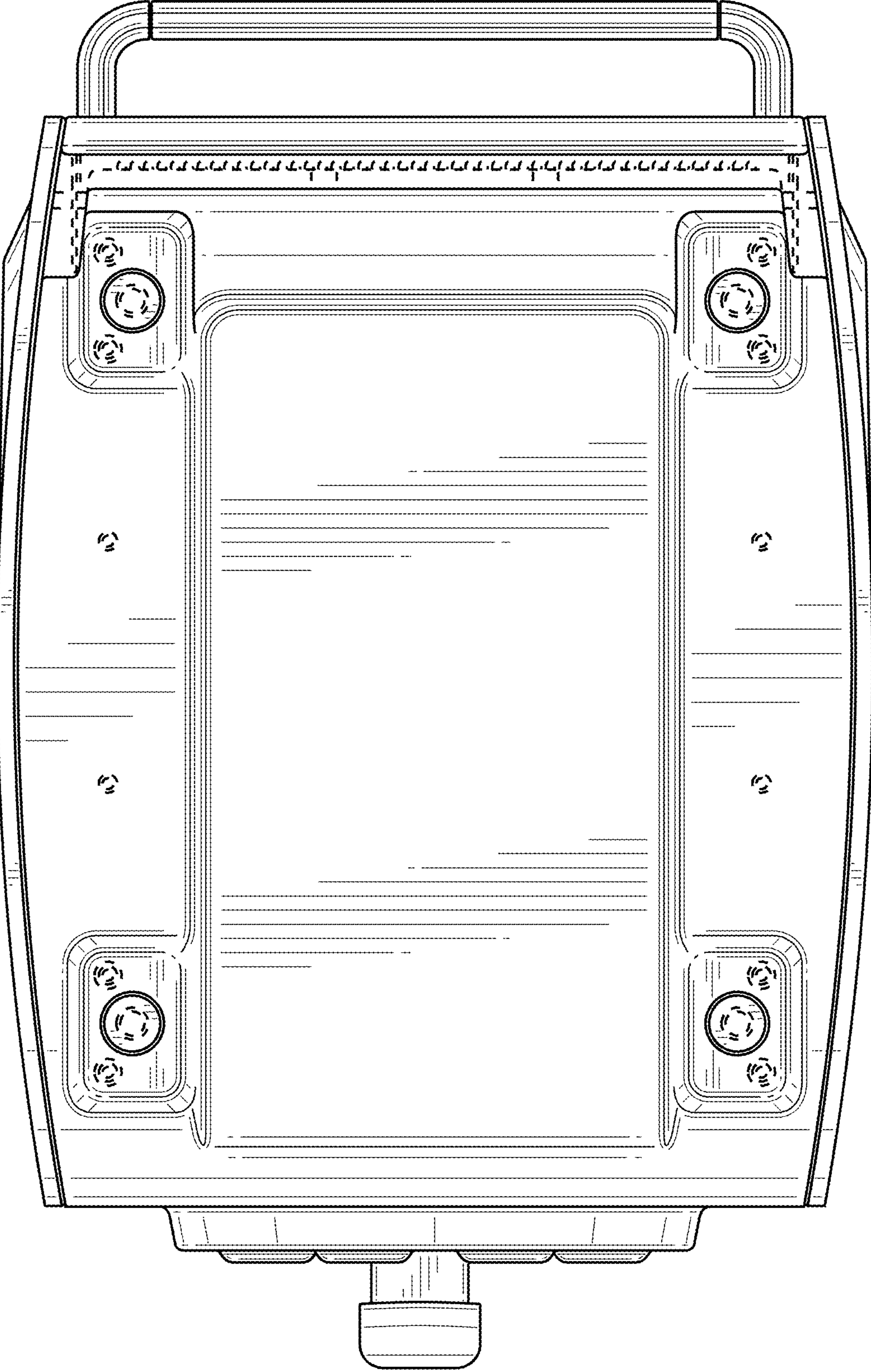


FIG. 7