



US00D973415S

(12) **United States Design Patent** (10) **Patent No.:** **US D973,415 S**  
**Weiss et al.** (45) **Date of Patent:** **\*\* Dec. 27, 2022**

(54) **WATER POT**  
(71) Applicant: **RJ BRANDS, LLC**, Mahwah, NJ (US)  
(72) Inventors: **Eli Weiss**, Monsey, NY (US); **Angelika Schubert-Belle**, Tustin, CA (US); **David Huang**, Torrance, CA (US)  
(73) Assignee: **RJ BRANDS, LLC**, Mahwah, NJ (US)  
(\*\*) Term: **15 Years**  
(21) Appl. No.: **29/722,966**

D734,085 S \* 7/2015 Toh ..... A47J 31/467  
D7/306  
D786,002 S \* 5/2017 Archer ..... A47J 31/50  
D7/306  
D819,385 S \* 6/2018 Moore ..... A23G 9/045  
D7/313  
D874,204 S \* 2/2020 Prabucki ..... D7/306  
D948,290 S \* 4/2022 Weiss ..... D7/545  
2008/0216663 A1\* 9/2008 Williamson ..... A47J 31/467  
99/279  
2011/0049126 A1\* 3/2011 Weissman ..... A47J 31/50  
219/441  
2014/0158710 A1\* 6/2014 Lunn ..... A23G 9/045  
222/63

(22) Filed: **Feb. 3, 2020**  
(51) **LOC (13) Cl.** ..... **07-01**  
(52) **U.S. Cl.**  
USPC ..... **D7/313; D7/306**  
(58) **Field of Classification Search**  
USPC ..... D7/300, 301-303, 305, 306, 309,  
D7/312-314, 316-319, 387, 397-400,  
D7/602, 605, 608; D23/207, 209, 213  
CPC ..... A47J 31/02; A47J 31/06; A47J 31/061;  
A47J 31/0615; A47J 31/0642; A47J  
31/0673; A47J 31/18; A47J 31/20; A47J  
31/3628; A47J 31/407; A47J 31/44; A47J  
31/4403; A47J 31/4482; A47J 31/46;  
A47J 31/50; A47J 31/505  
See application file for complete search history.

**OTHER PUBLICATIONS**

Shabbat Coffee Urn, first available Mar. 26, 2019, Amazon, [online], [site visited Dec. 9, 2021], Available from internet URL: <https://www.amazon.com/Shabbat-Automatic-Coffee-Urn-Cups/dp/B07NRXK9TY> (Year: 2019).\*

(Continued)

*Primary Examiner* — Mary Ann Calabrese  
*Assistant Examiner* — Natalya M Rapundalo  
(74) *Attorney, Agent, or Firm* — Bochner IP, PLLC;  
Andrew D. Bochner

(57) **CLAIM**

The ornamental design for a water pot, as shown and described.

(56) **References Cited**

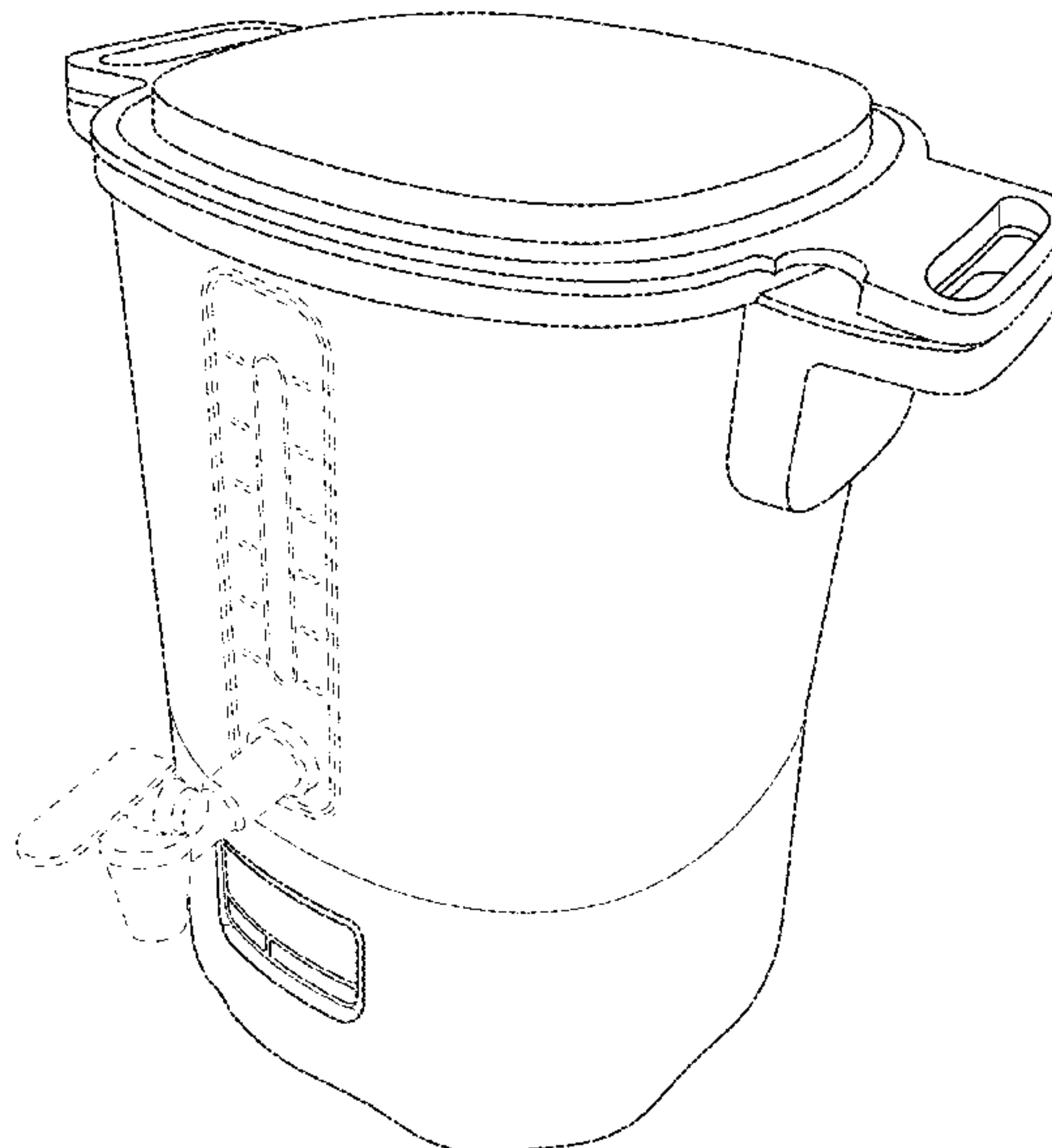
**U.S. PATENT DOCUMENTS**

D386,933 S \* 12/1997 Browne ..... D7/306  
D410,535 S \* 6/1999 Eckman ..... D23/318  
6,293,427 B1 \* 9/2001 Cutting ..... G07F 13/00  
222/2  
D489,932 S \* 5/2004 Picozza ..... D7/306  
D570,148 S \* 6/2008 Garman ..... D7/306  
D613,562 S \* 4/2010 Burgess ..... D7/608  
D713,193 S \* 9/2014 English ..... G07F 13/00  
D7/306

**DESCRIPTION**

FIG. 1 is a front perspective view of a water pot showing our new design;  
FIG. 2 is a top plan view thereof; and,  
FIG. 3 is a top, right, perspective view thereof.  
The broken lines in the drawings illustrate portions of the water pot and form no part of the claimed design.

**1 Claim, 3 Drawing Sheets**



(56)

**References Cited**

OTHER PUBLICATIONS

Chefman Warming Urn, first available Oct. 13, 2020, WhatAMetziah, [online], [site visited Nov. 22, 2021], Available from internet URL: <https://whatametziah.com/listings/view/chefman-warming-urn-1> (Year: 2020).\*

Warming Urn—Chefman, Chefman, [online], [site visited Apr. 12, 2022], Available from internet URL: <https://chefman.com/products/warming-urn> (Year: 2022).\*

<https://www.orleshabbat.com/en/shop/shabbat-water-urn-12-liters/>.  
Chefman Warming Urn; 2018.

\* cited by examiner

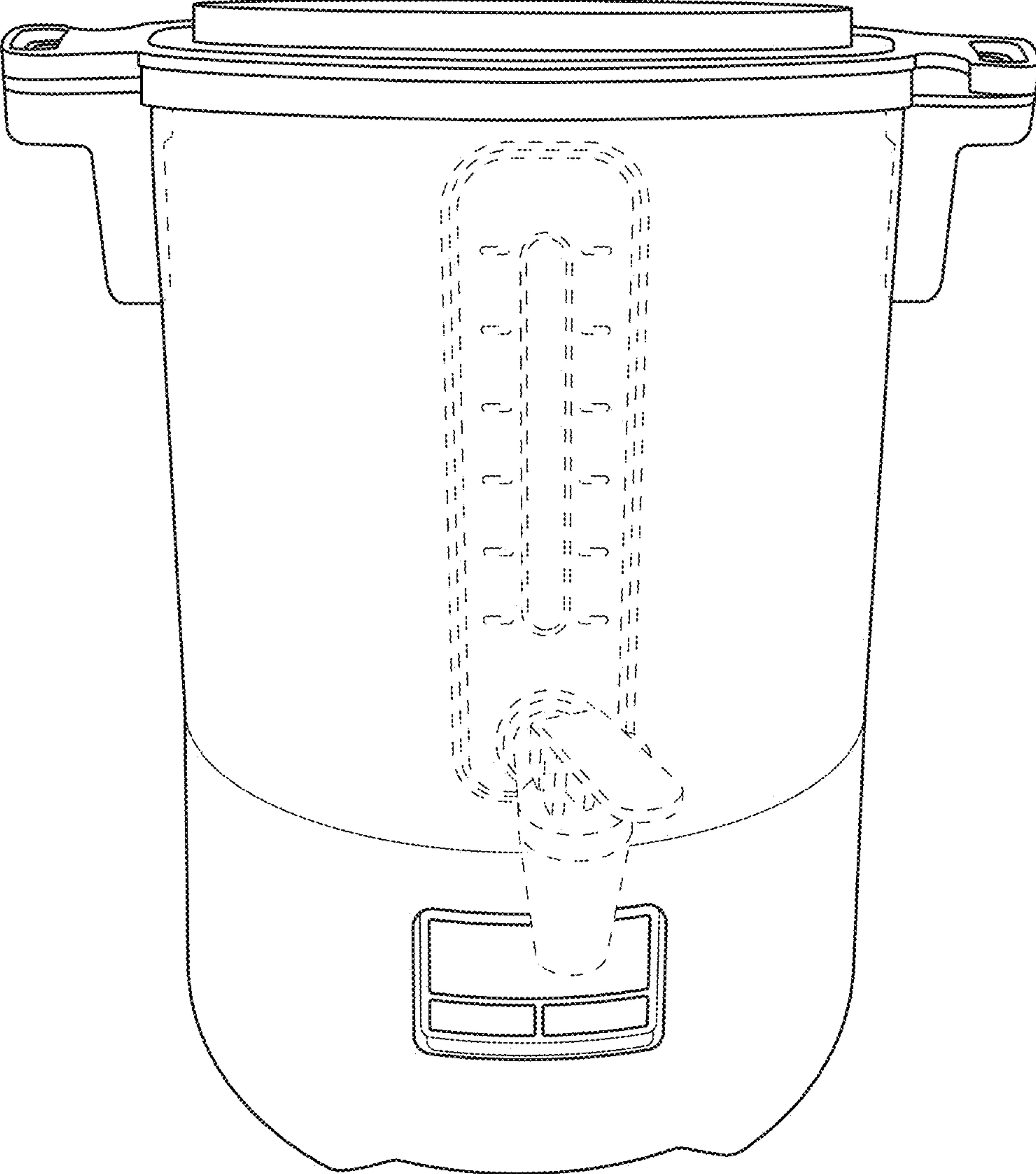


FIG. 1

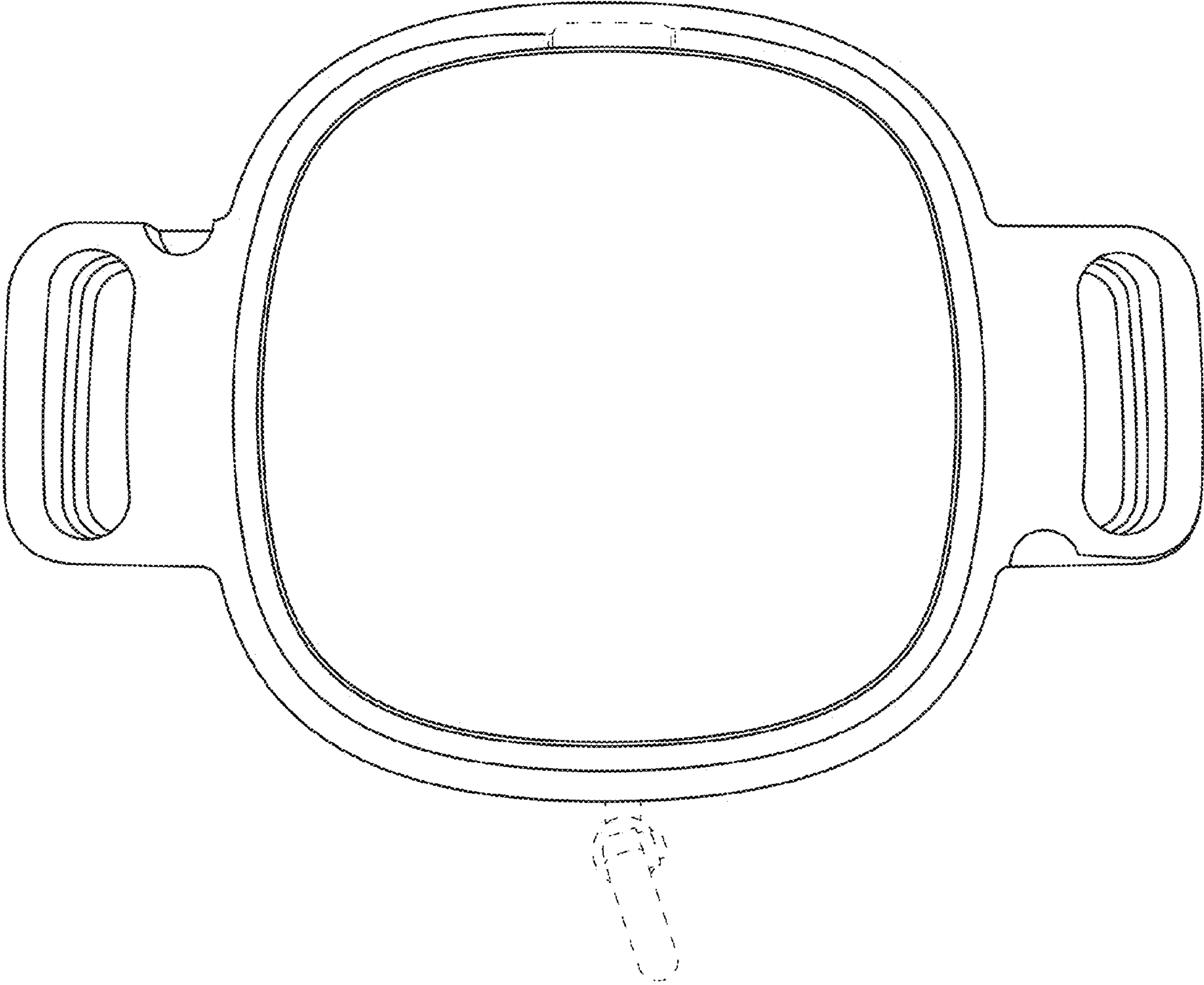


FIG. 2

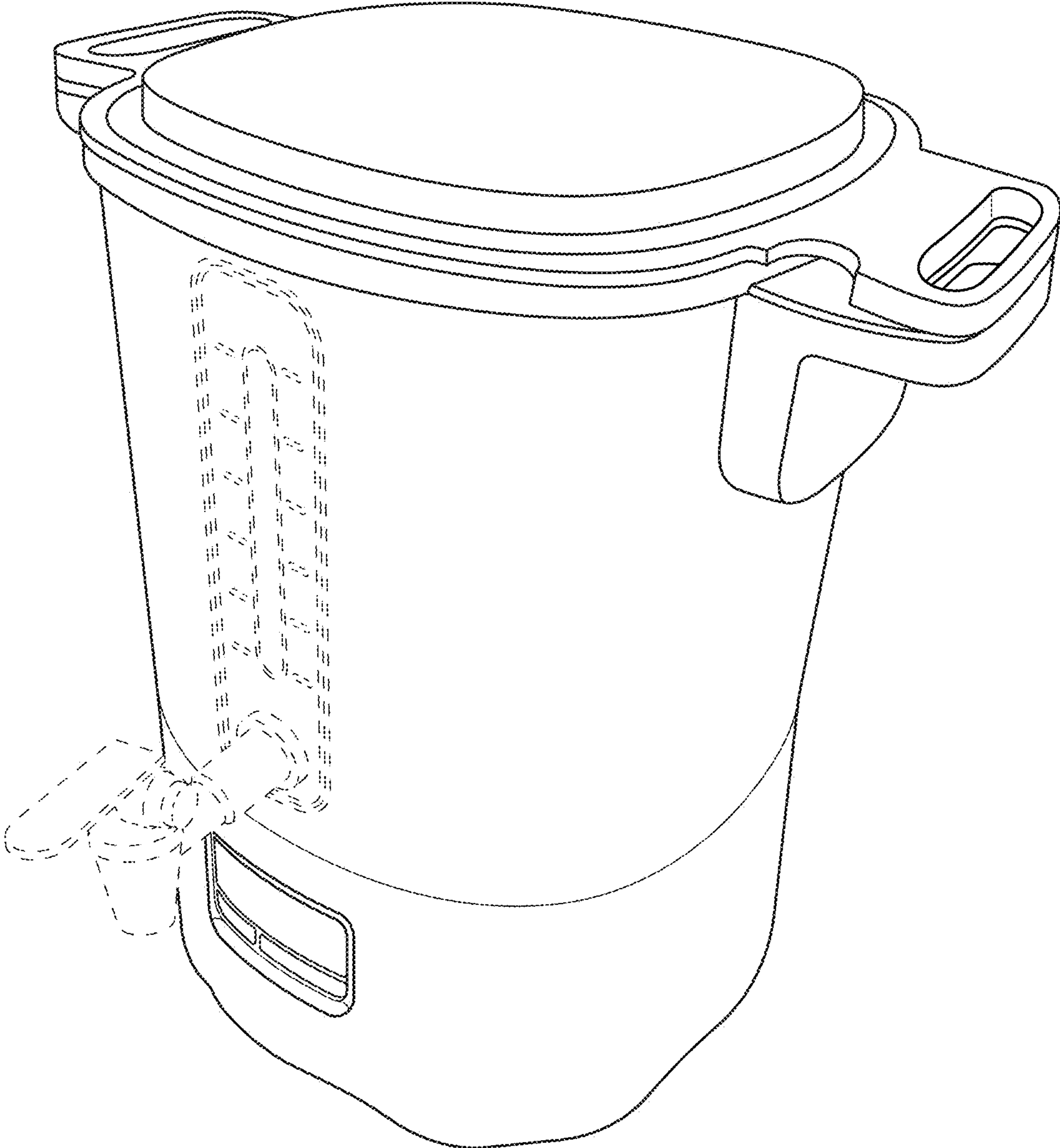


FIG. 3