

(56)

References Cited

U.S. PATENT DOCUMENTS

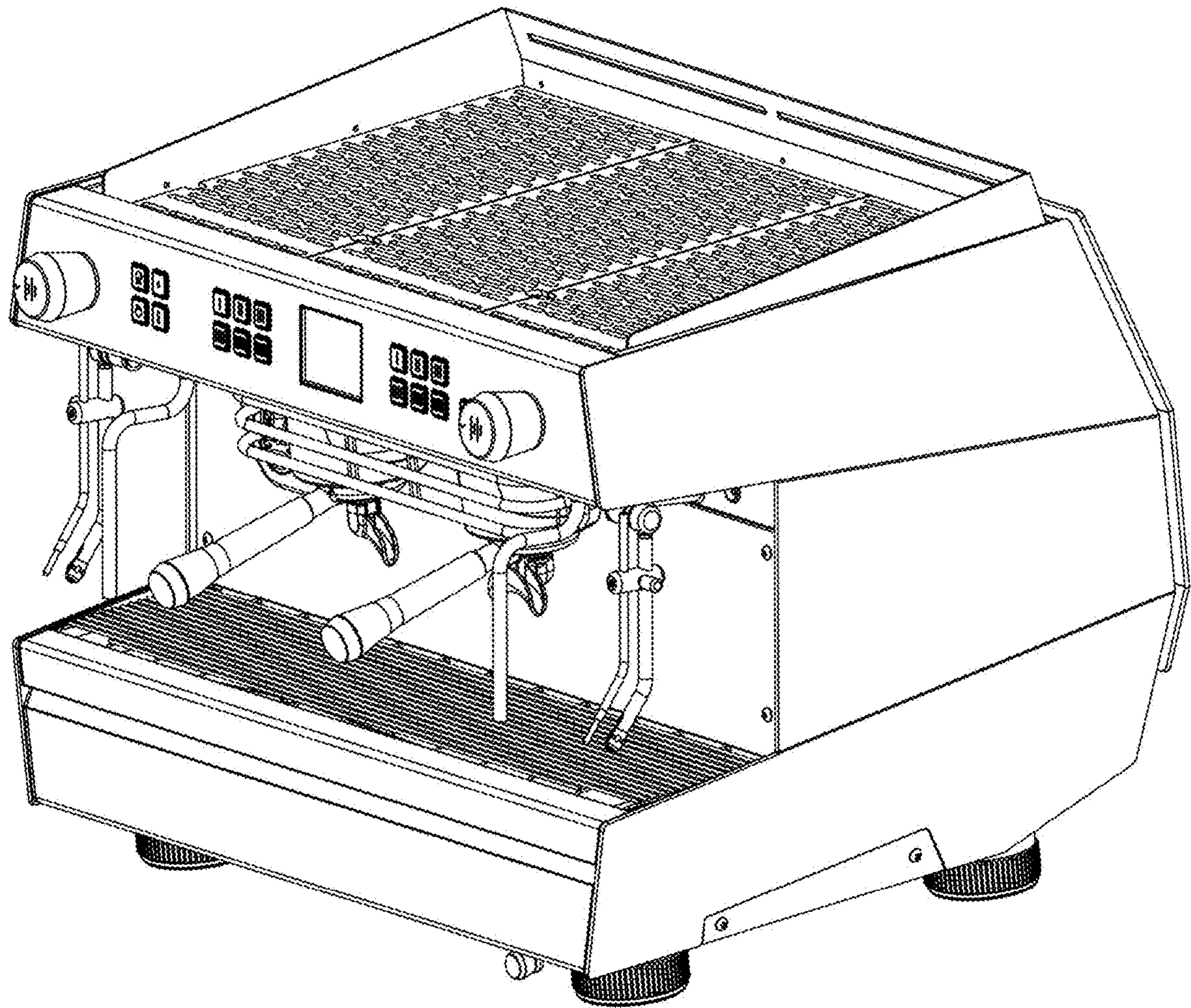
D939,877 S * 1/2022 Foglia D7/308
D939,878 S * 1/2022 Nabeiro D7/311
2019/0021544 A1* 1/2019 Foglia A47J 31/60

OTHER PUBLICATIONS

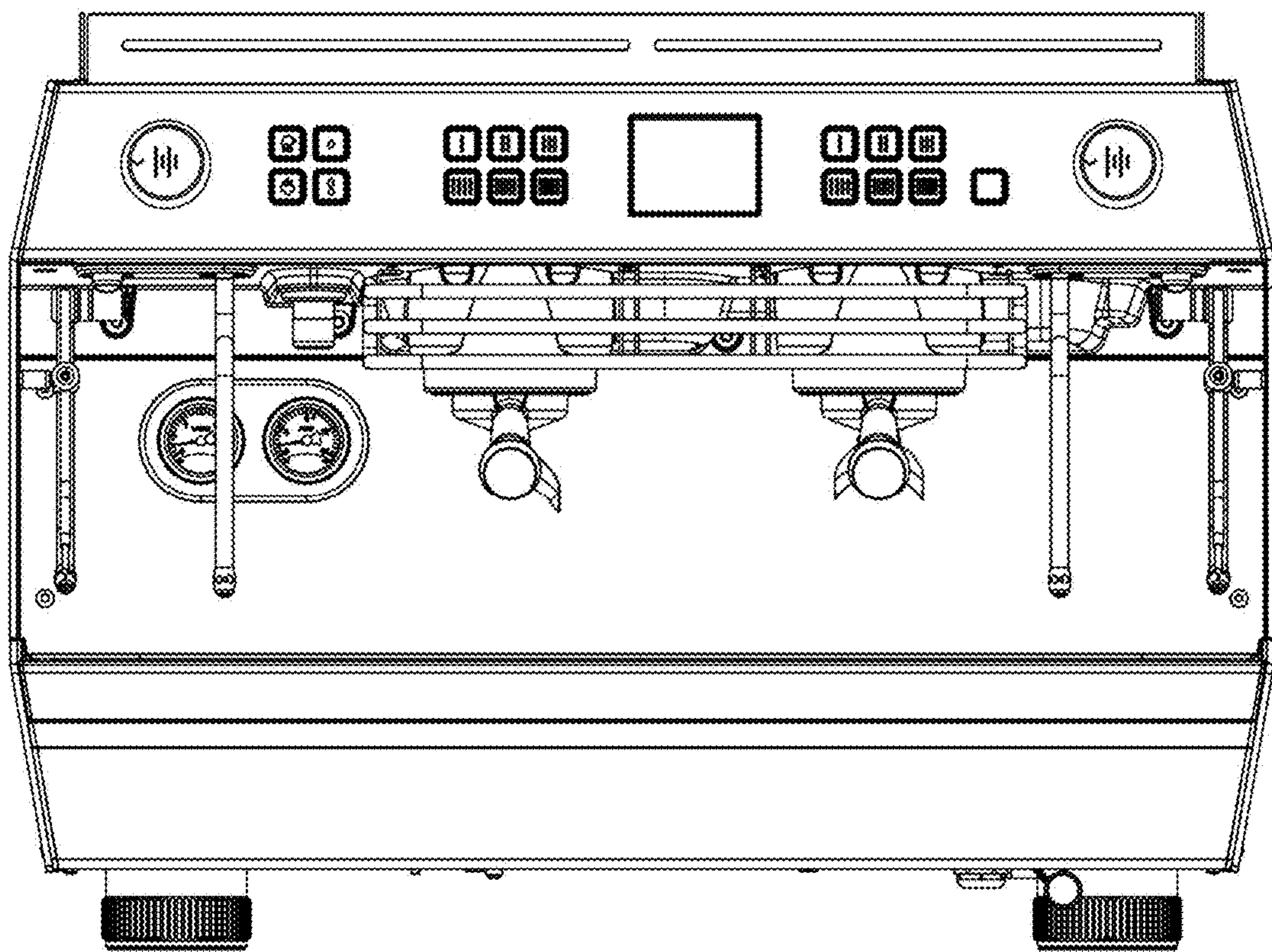
Archi Expo website, Espresso coffee machine EVO 2, Earliest date on the Wayback Machine Internet Archive Nov. 25, 2020, [site visited Jun. 25, 2022], Available on the Internet URL (Year: 2020).*

* cited by examiner

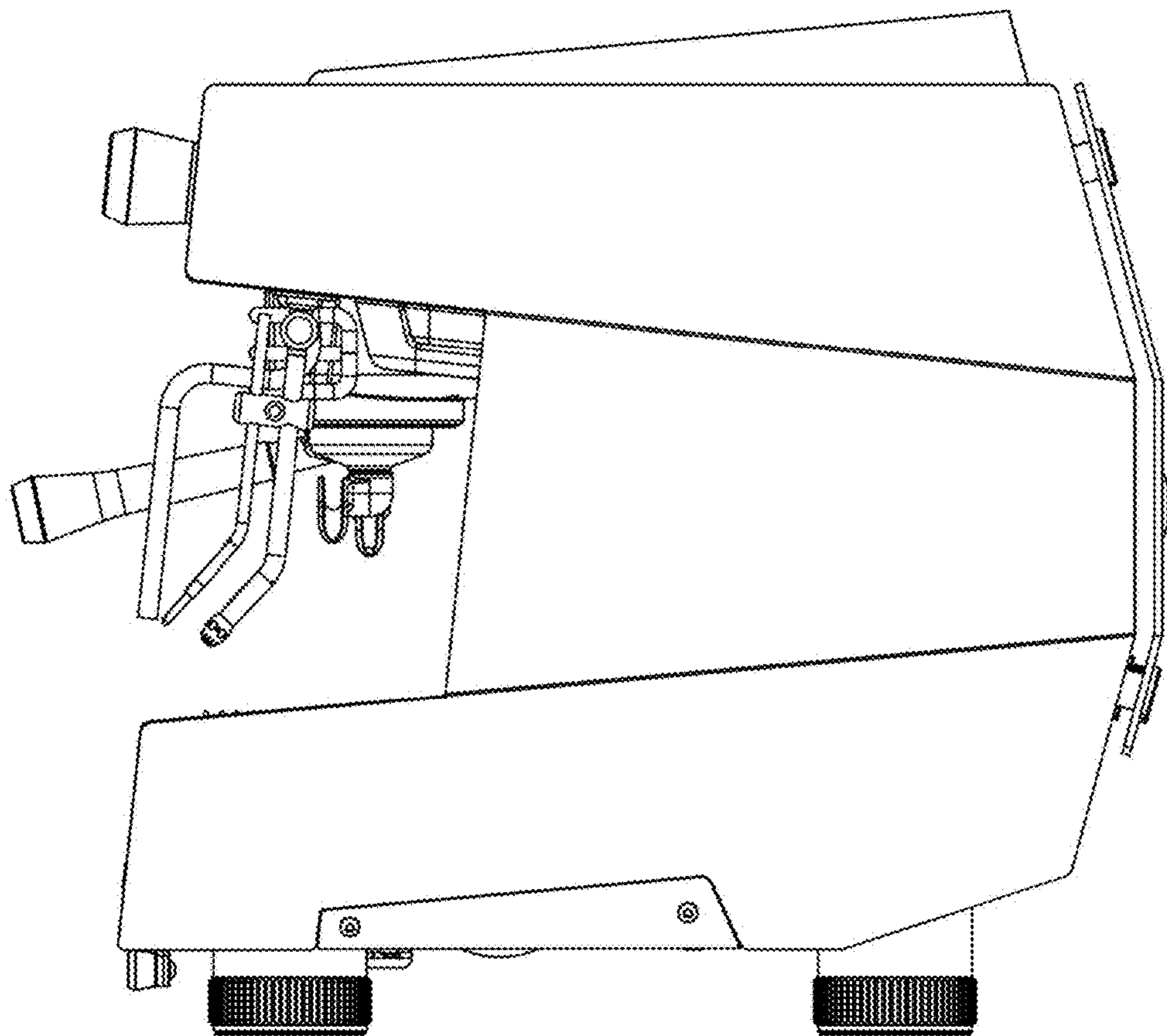
1.1



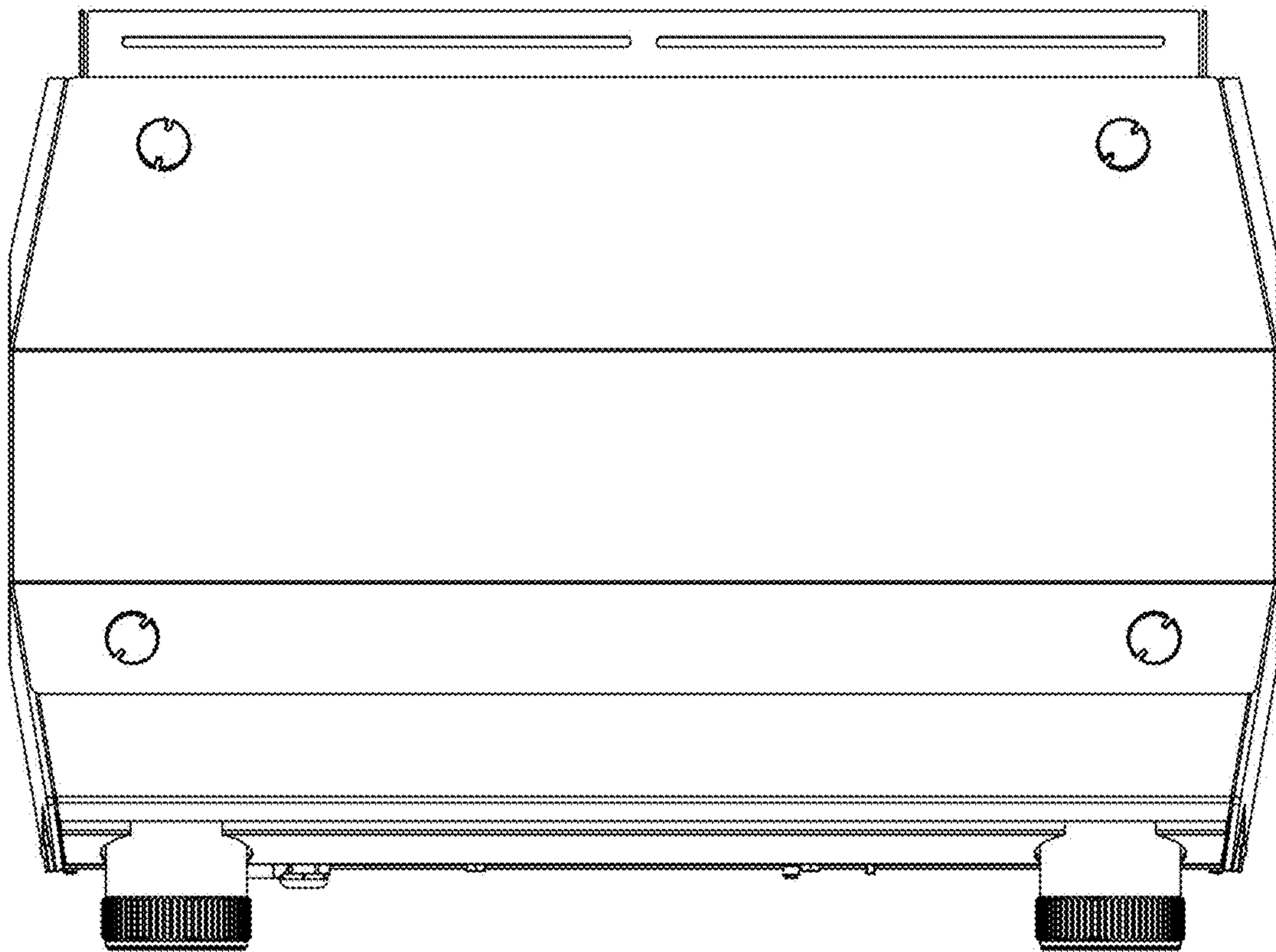
1.2



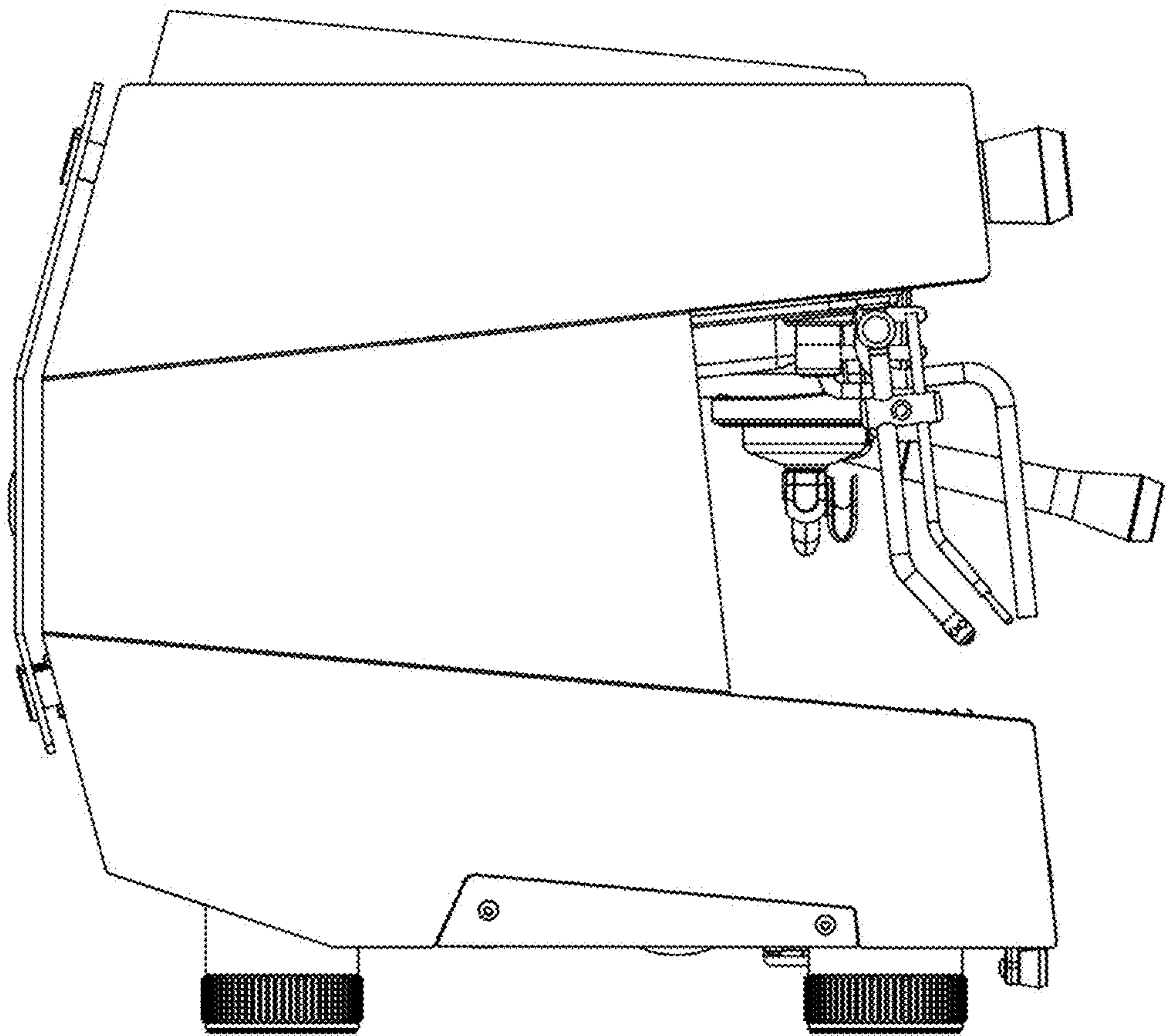
1.3



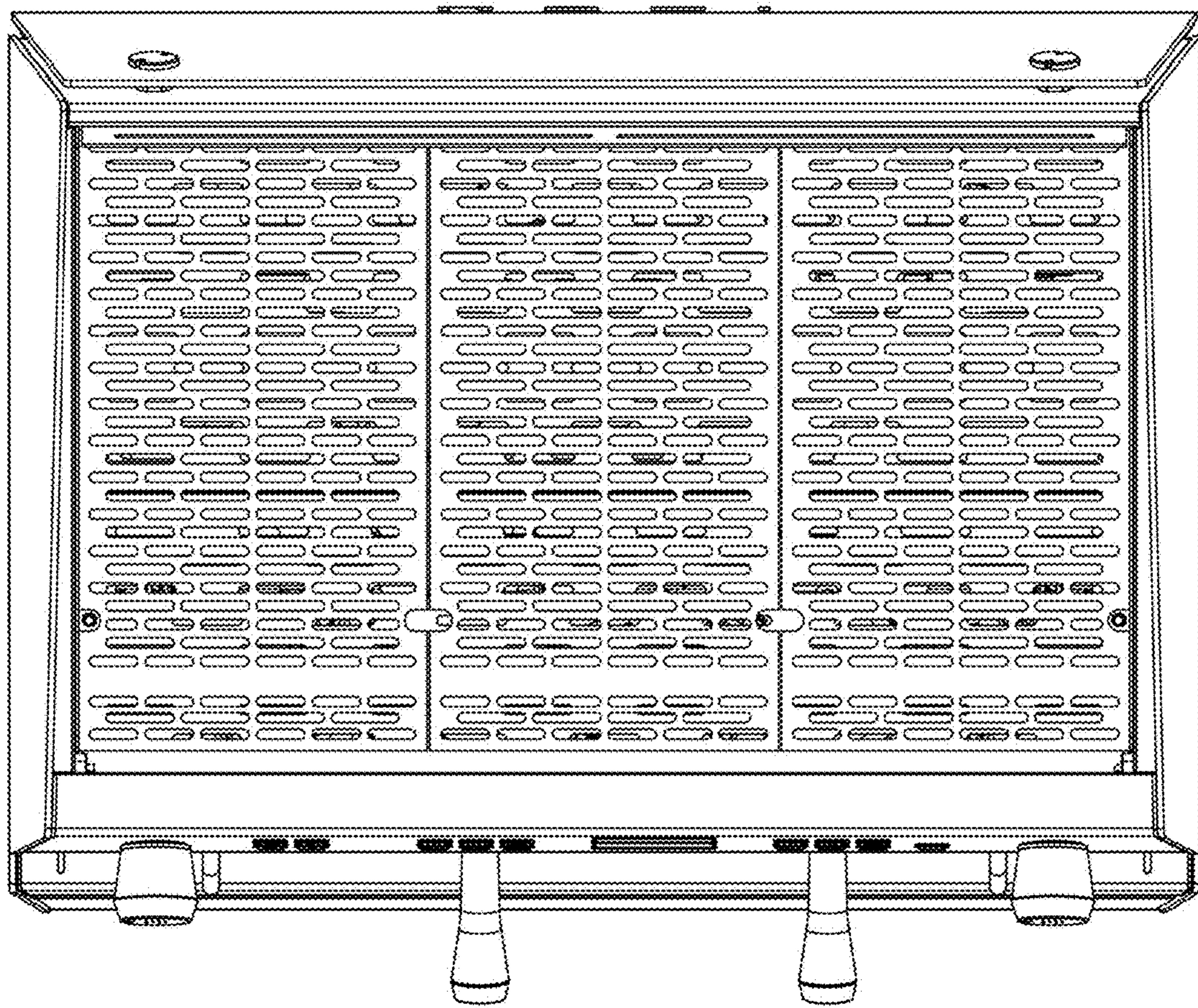
1.4



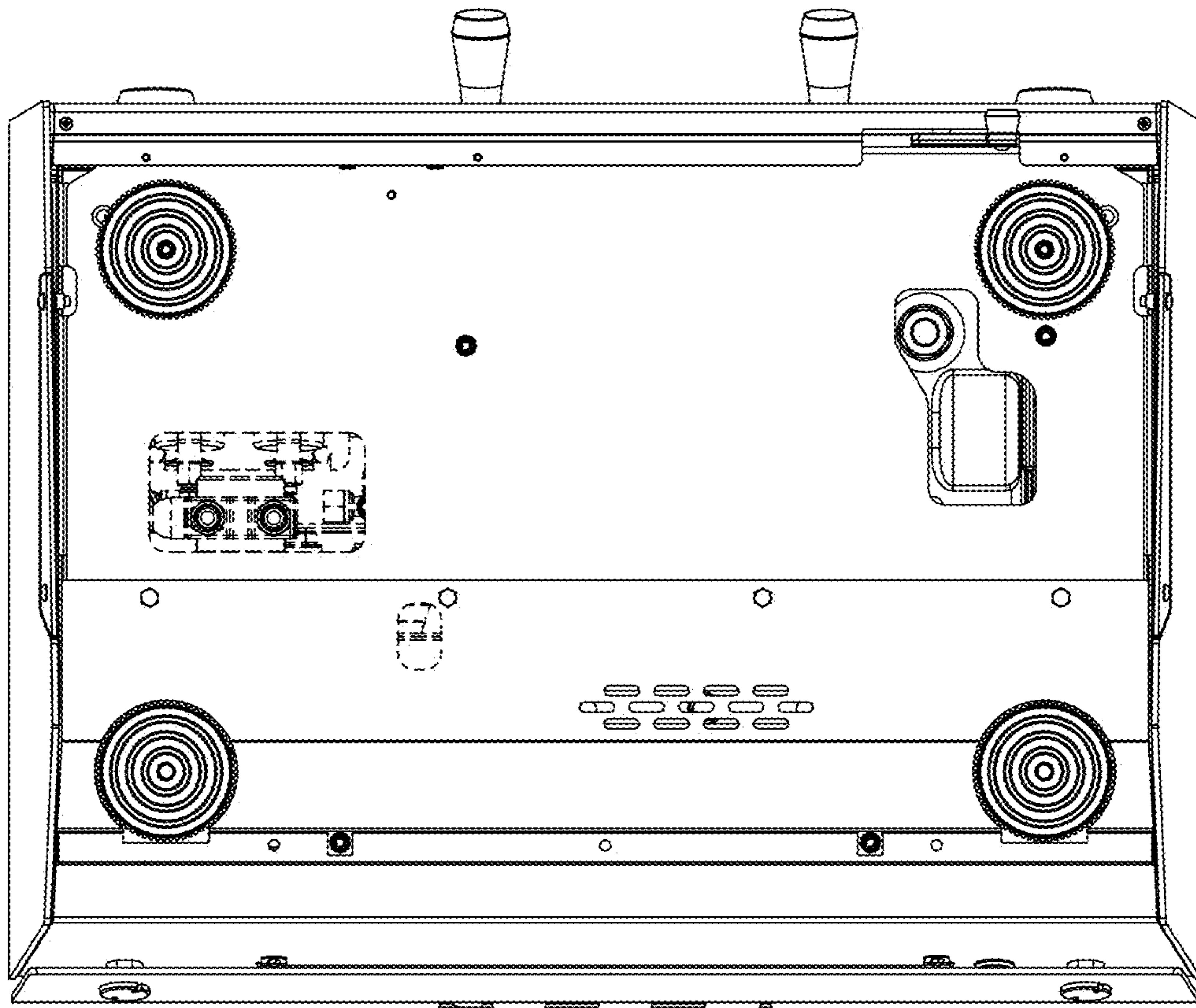
1.5



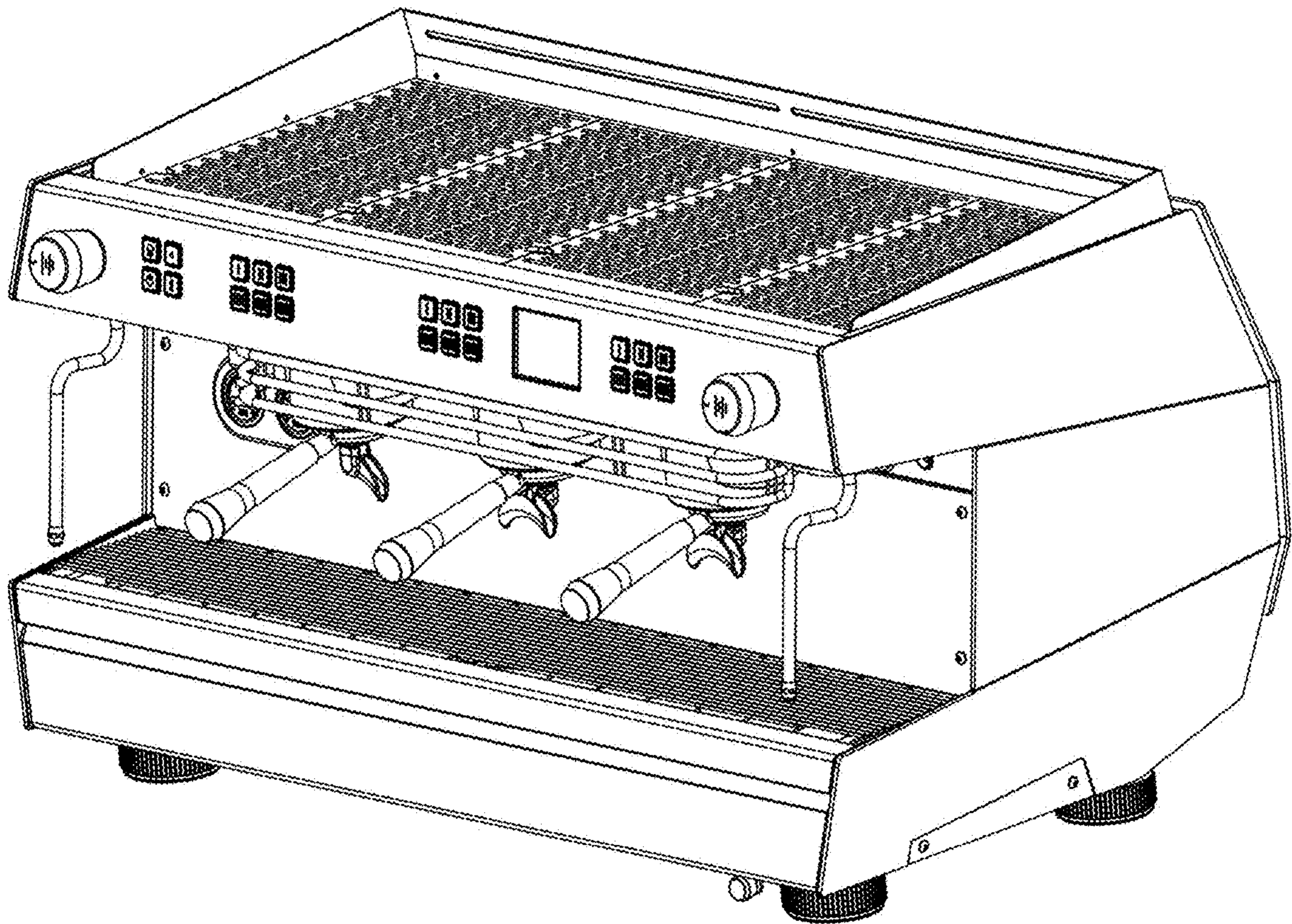
1.6



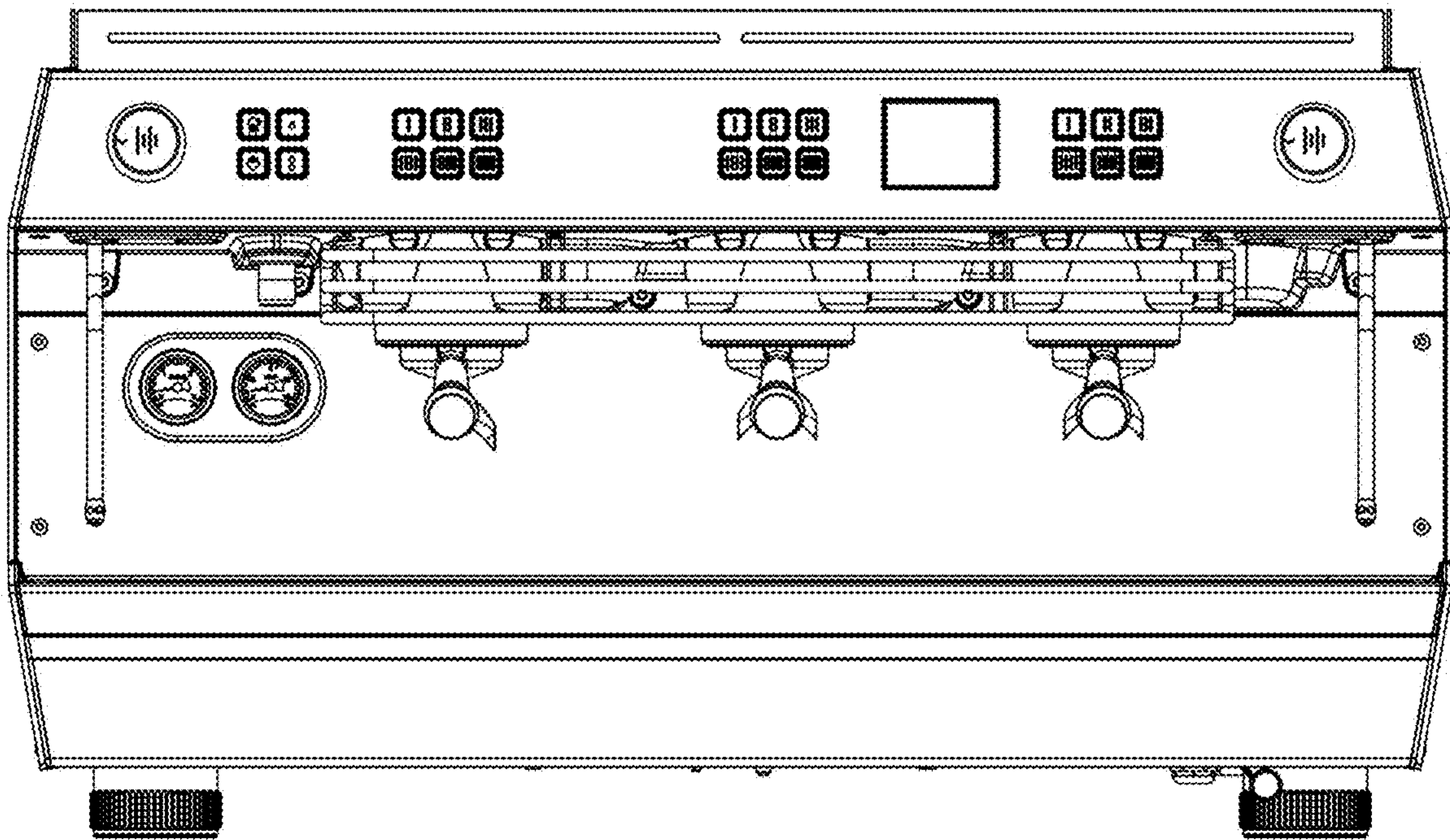
1.7



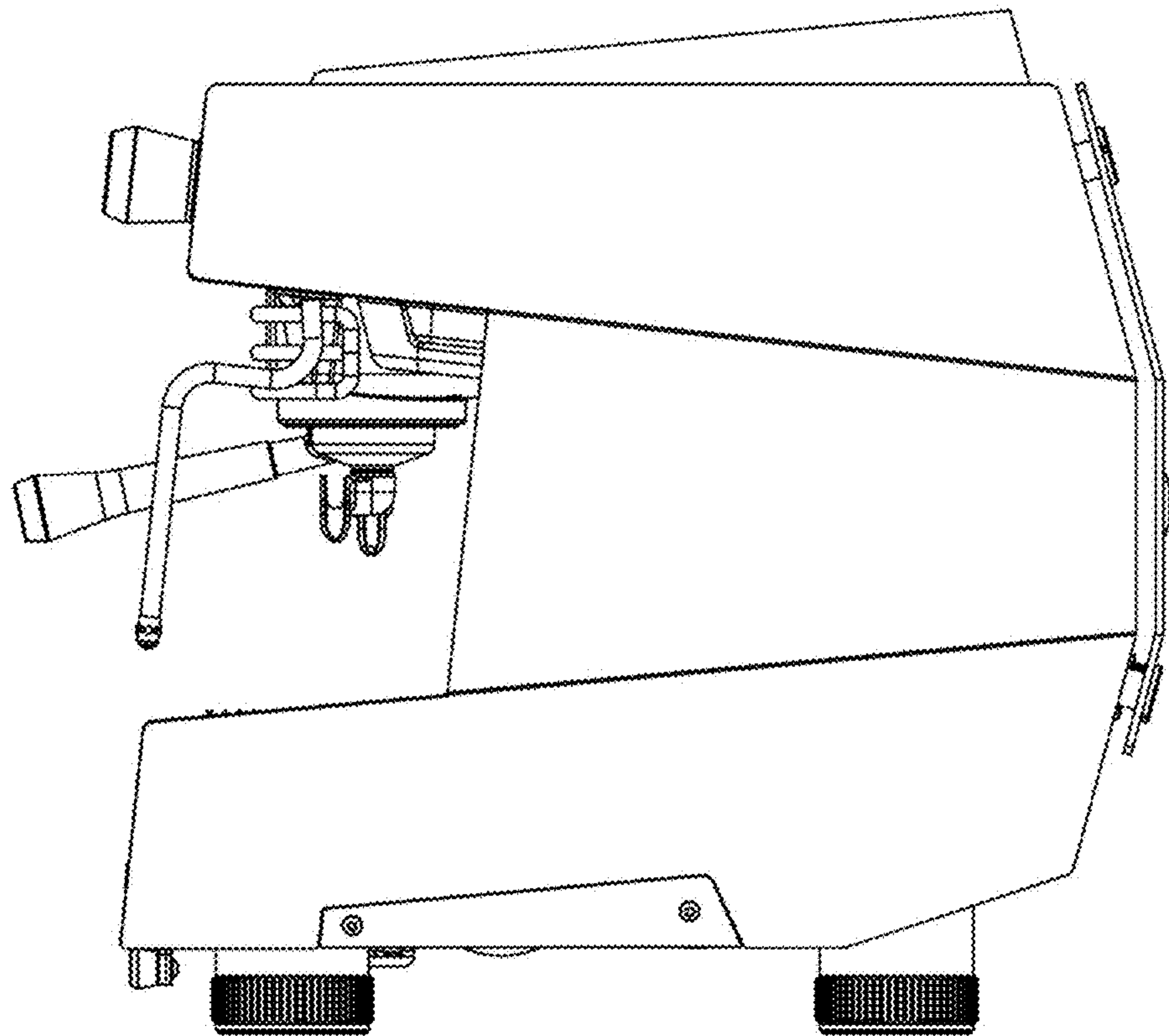
2.1



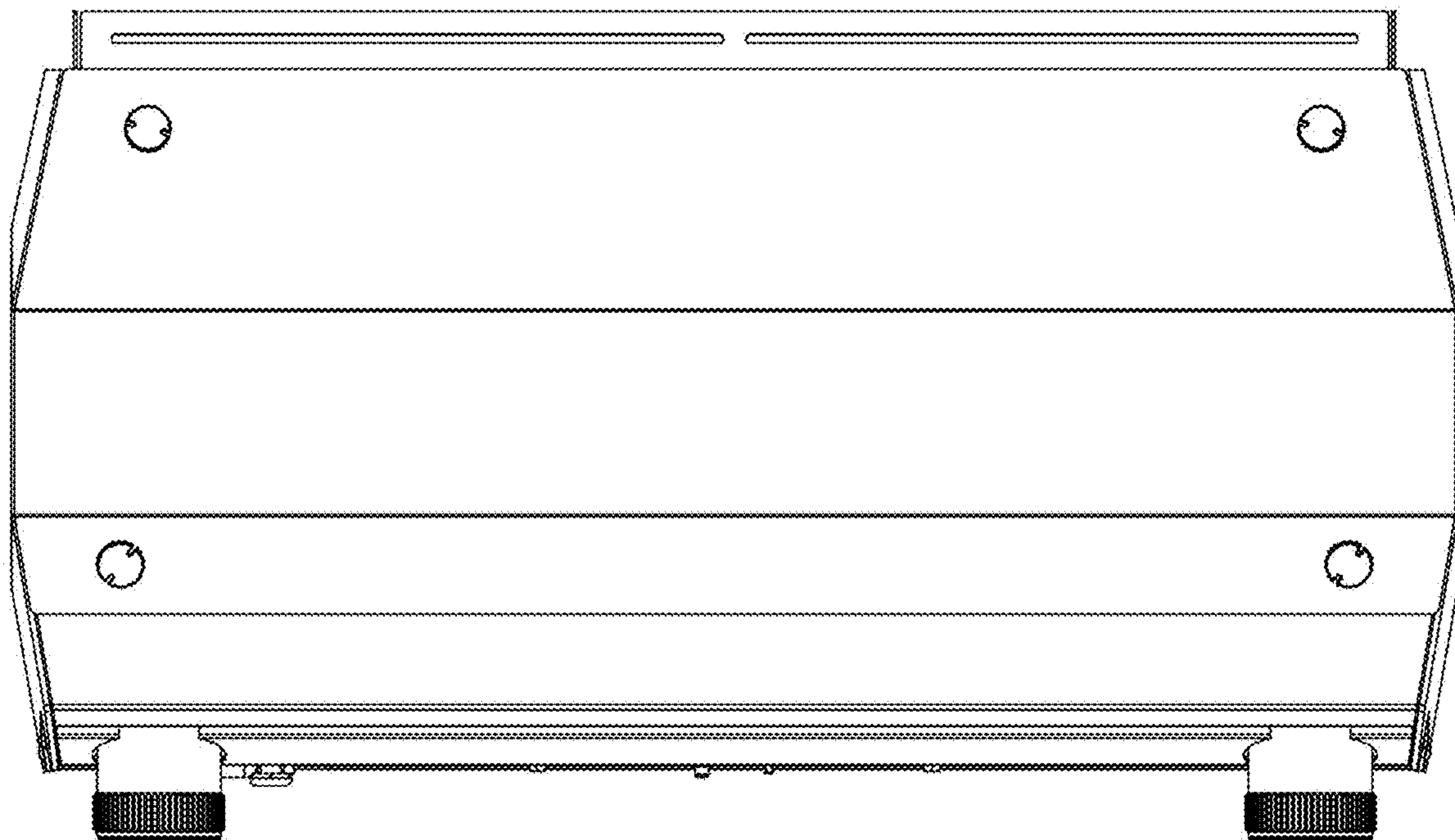
2.2



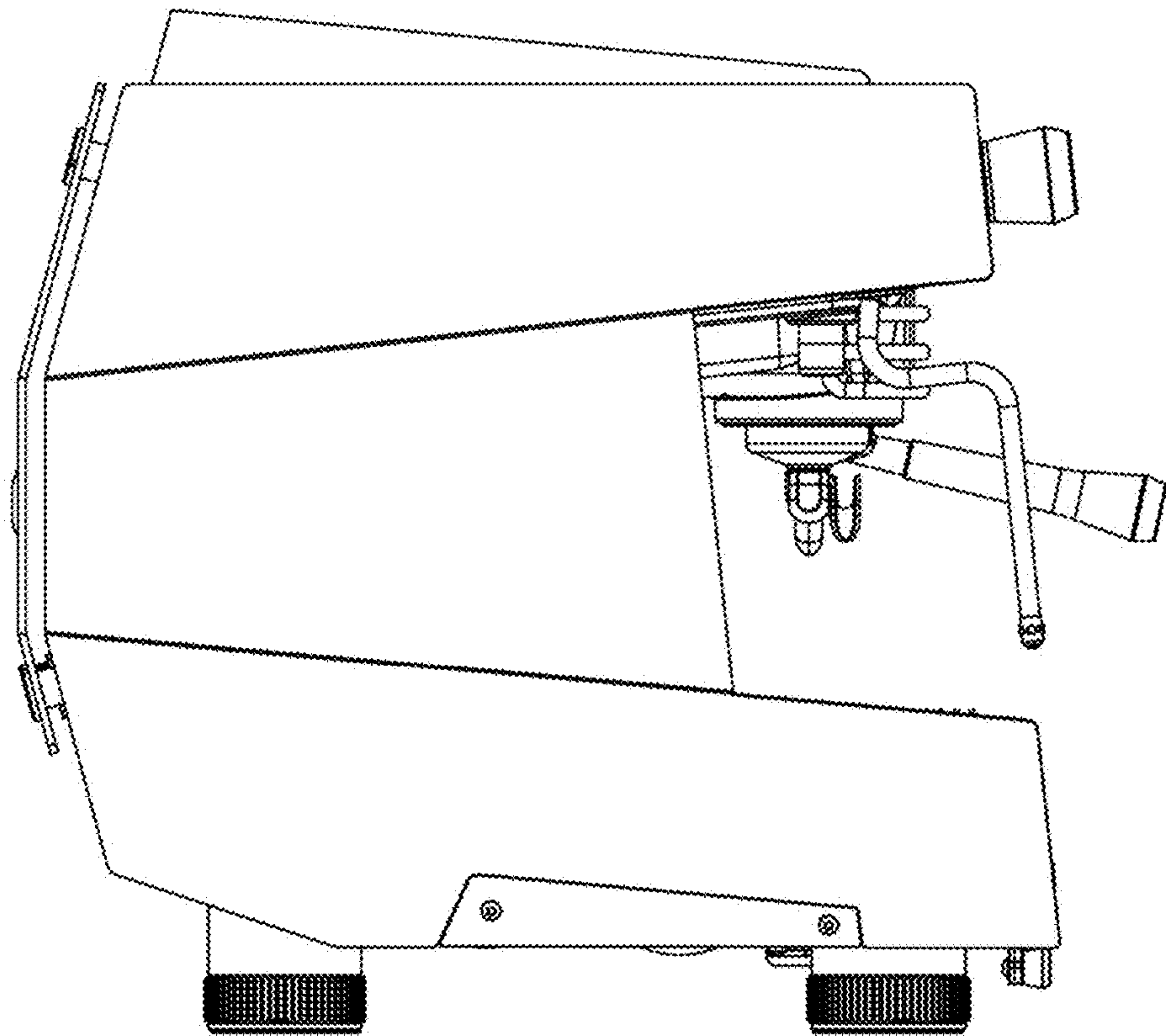
2.3



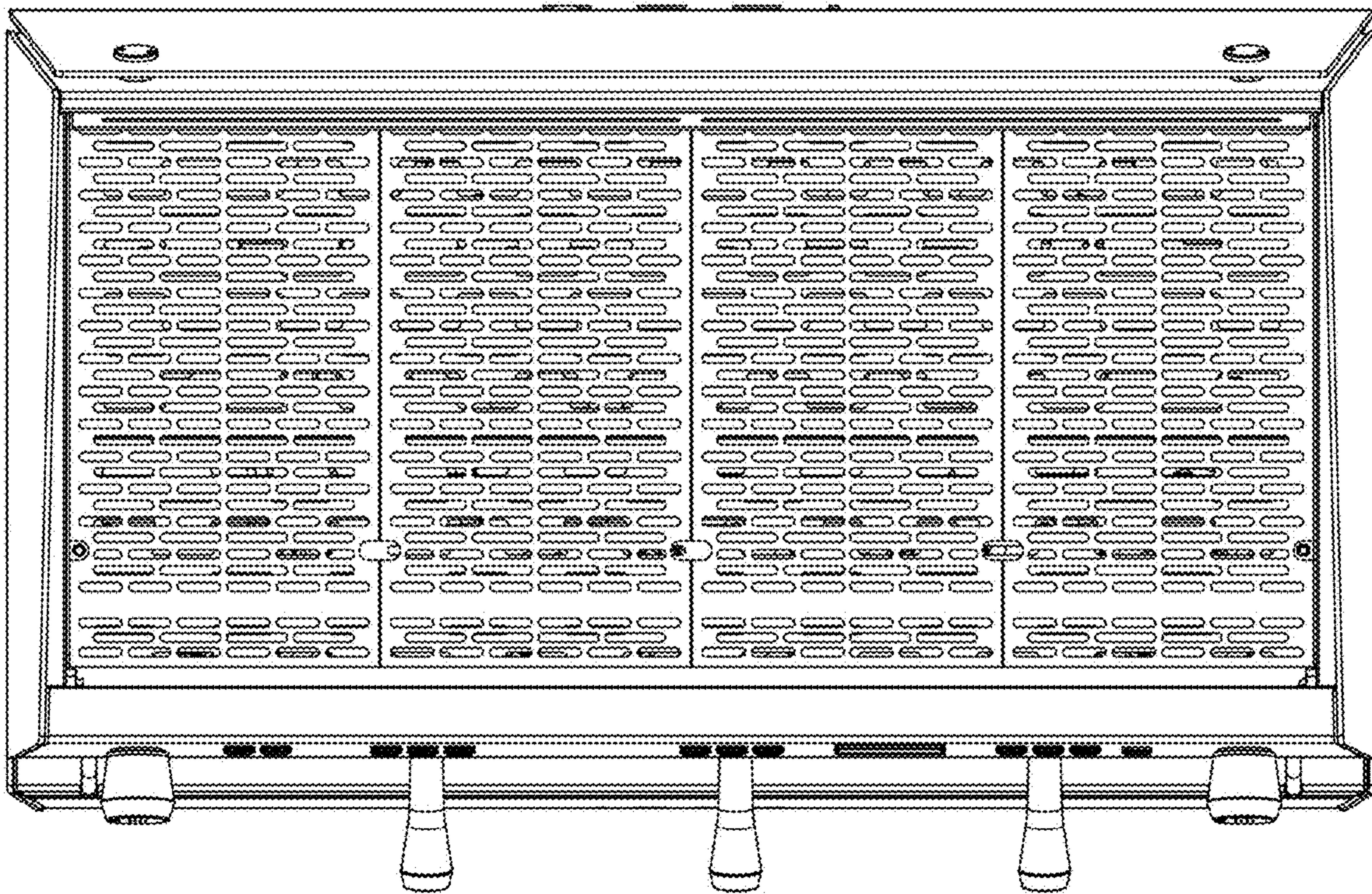
2.4



2.5



2.6



2.7

