



US00D973412S

(12) **United States Design Patent**  
**Carlson**

(10) **Patent No.:** **US D973,412 S**

(45) **Date of Patent:** **\*\* Dec. 27, 2022**

(54) **COFFEEMAKER**

(71) Applicant: **Hamilton Beach Brands, Inc.**, Glen Allen, VA (US)

(72) Inventor: **Drew Carlson**, Midlothian, VA (US)

(73) Assignee: **Hamilton Beach Brands, Inc.**, Glen Allen, VA (US)

(\*\*) Term: **15 Years**

(21) Appl. No.: **29/754,490**

(22) Filed: **Oct. 12, 2020**

(51) **LOC (13) Cl.** ..... **07-01**

(52) **U.S. Cl.**  
USPC ..... **D7/306**

(58) **Field of Classification Search**  
USPC ..... D7/300, 305, 306, 309–311, 355, 362,  
D7/365, 367, 397  
CPC ..... A47J 31/46; A47J 31/407; A47J 31/50;  
A47J 31/18; A47J 31/00; A47J 31/0573;  
A47J 31/52; A47J 27/04  
See application file for complete search history.

(56) **References Cited**

**U.S. PATENT DOCUMENTS**

D327,601 S \* 7/1992 Beeren ..... D7/309  
D530,560 S \* 10/2006 Lin ..... D7/309

D713,667 S \* 9/2014 Marsland ..... D7/306  
D721,531 S \* 1/2015 Krasne ..... D7/309  
D736,025 S \* 8/2015 Kestenbaum ..... D7/309  
D765,455 S \* 9/2016 de Gooijer ..... D7/309  
D779,257 S \* 2/2017 Hale ..... D7/306  
D878,132 S \* 3/2020 Kestenbaum ..... D7/309  
D885,817 S \* 6/2020 Ye ..... D7/306  
D906,750 S \* 1/2021 Kestenbaum ..... D7/309

\* cited by examiner

*Primary Examiner* — Andrew Kerr

(74) *Attorney, Agent, or Firm* — Alexander D. Raring

(57) **CLAIM**

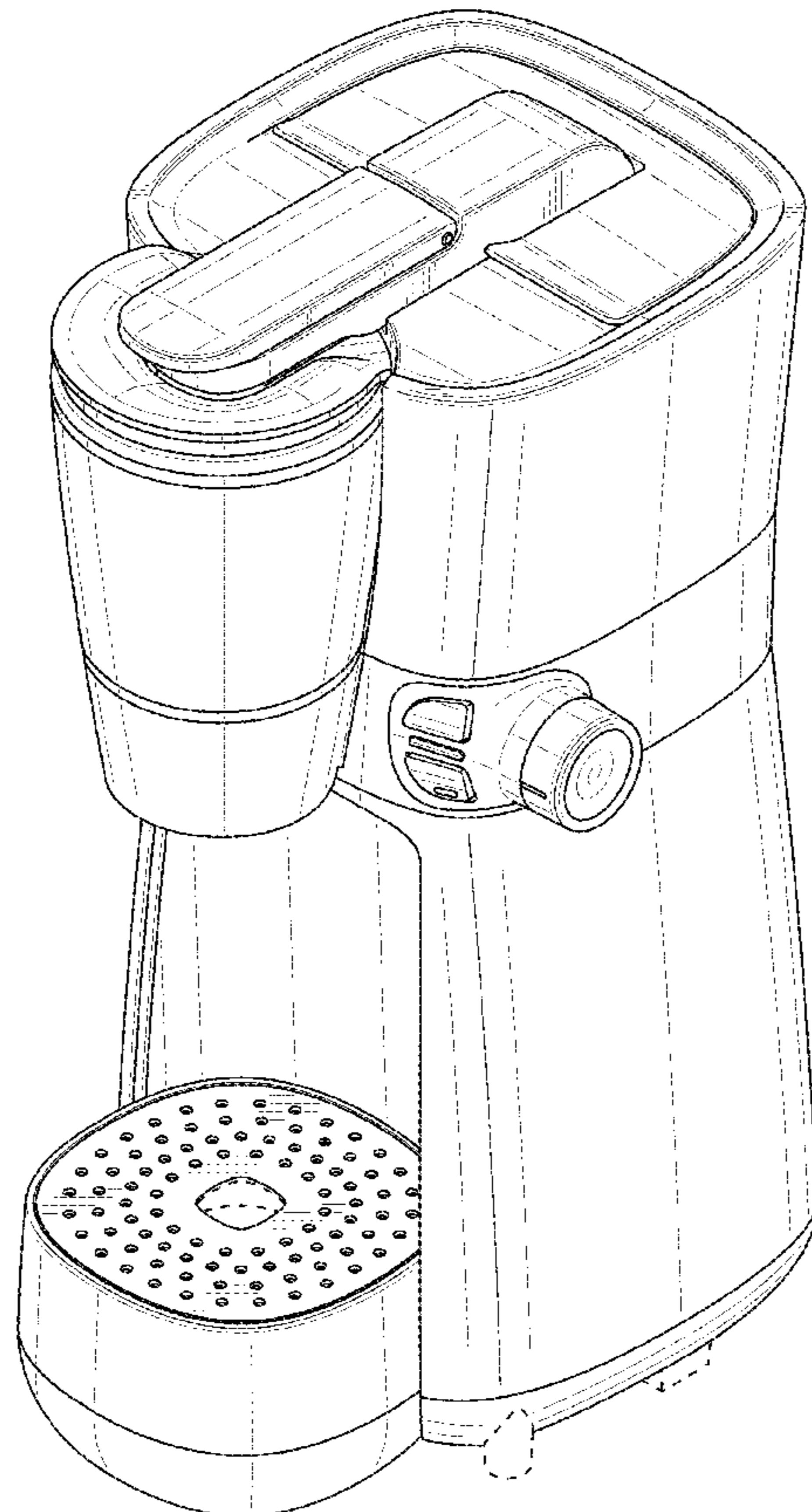
The ornamental design for a coffeemaker, as shown and described.

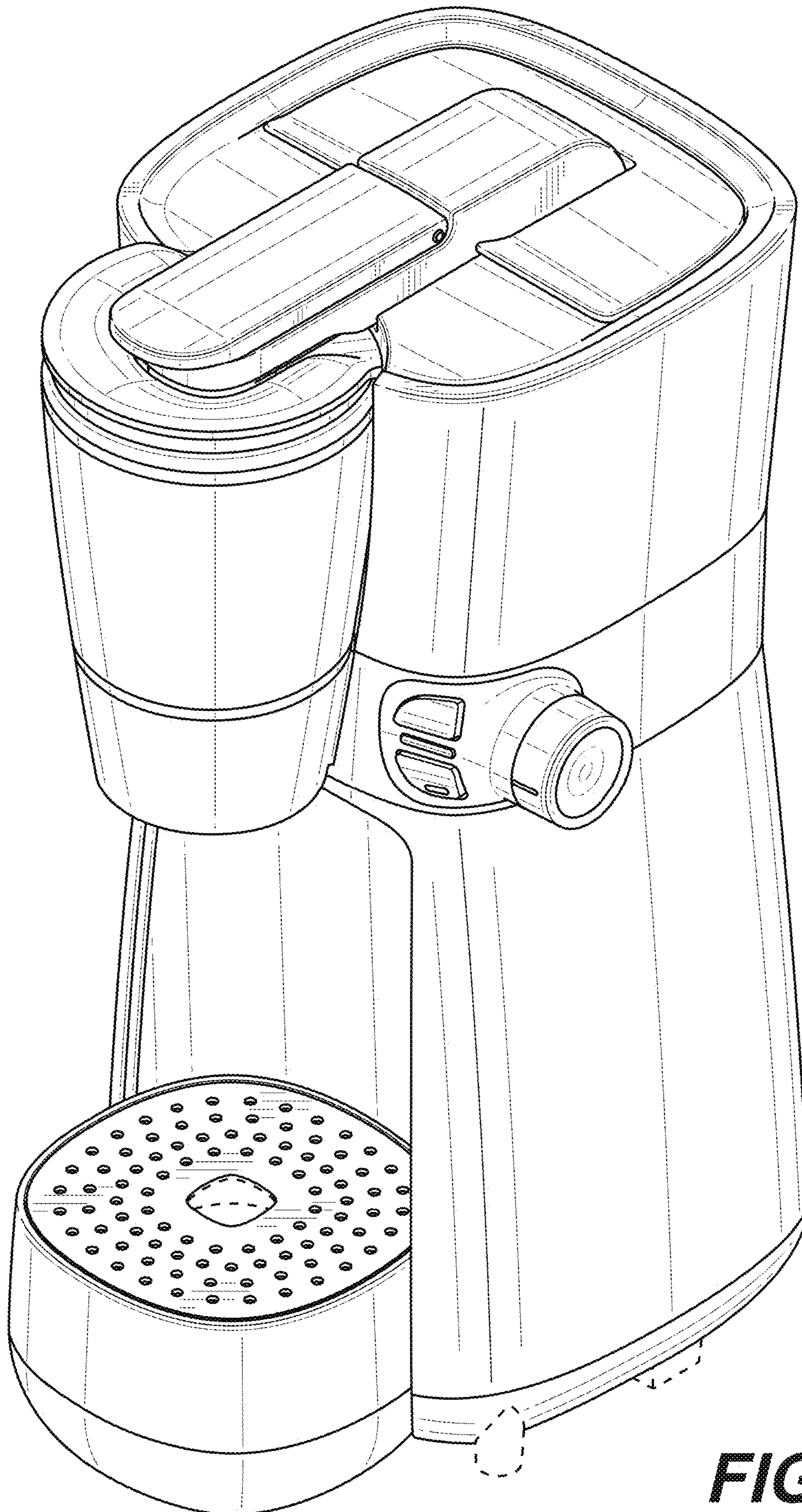
**DESCRIPTION**

FIG. 1 is a perspective view as seen from the top, right and front sides of a coffeemaker showing the new design; FIG. 2 is a front view thereof; FIG. 3 is a rear view thereof; FIG. 4 is a left side view thereof; FIG. 5 is a right side view thereof; FIG. 6 is a top view thereof; and, FIG. 7 is a bottom view thereof.

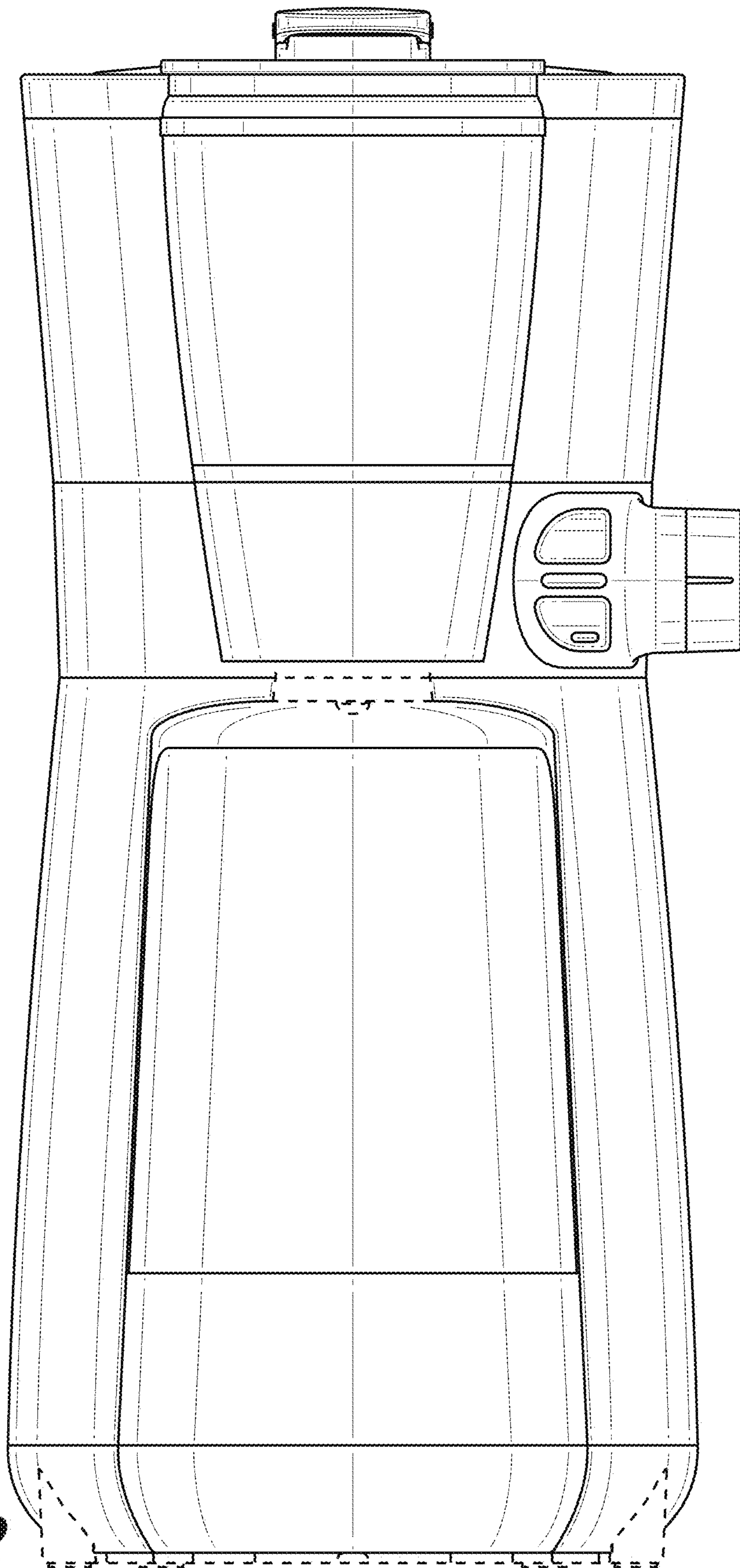
The broken lines in the drawings depict portions of the coffeemaker that form no part of the claimed design.

**1 Claim, 7 Drawing Sheets**

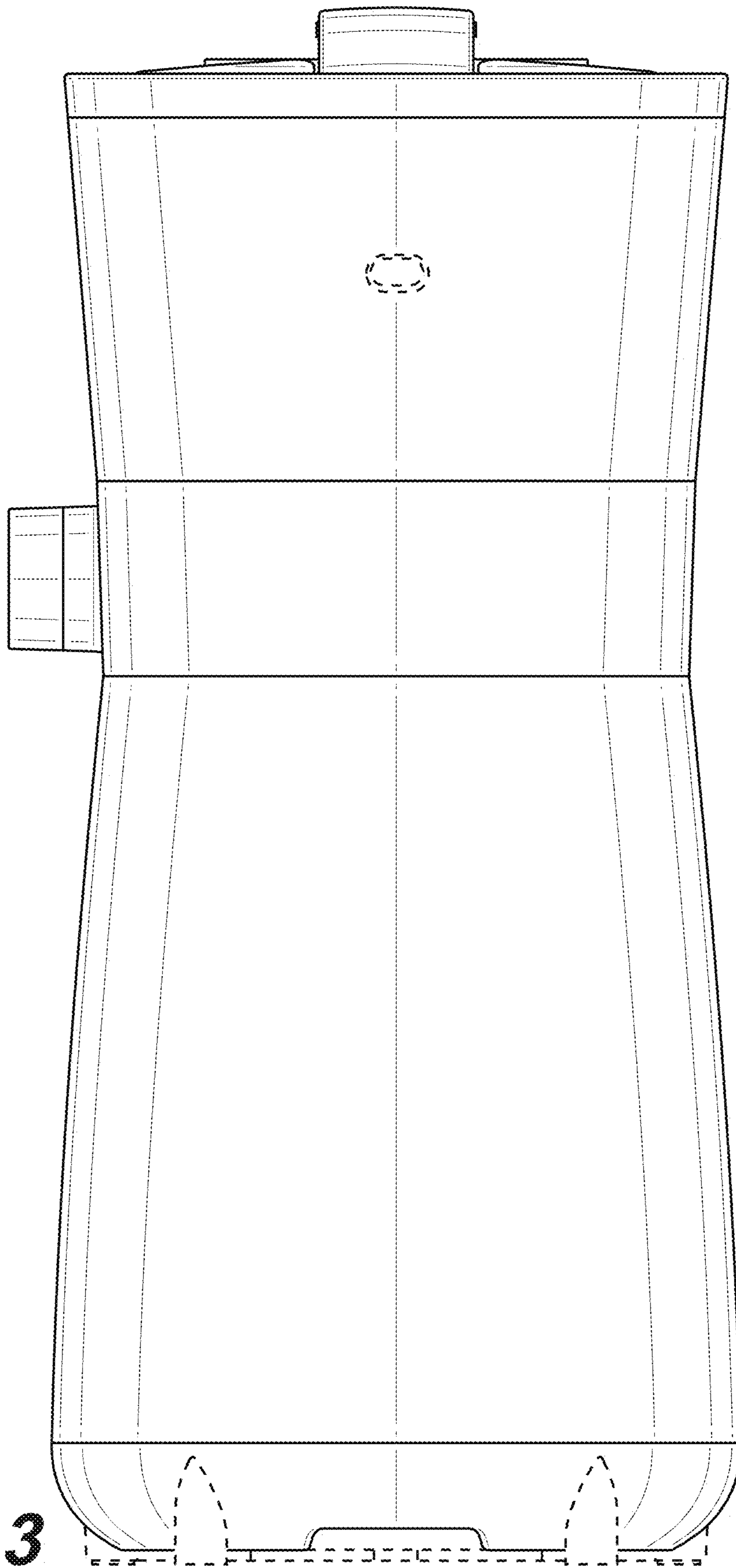




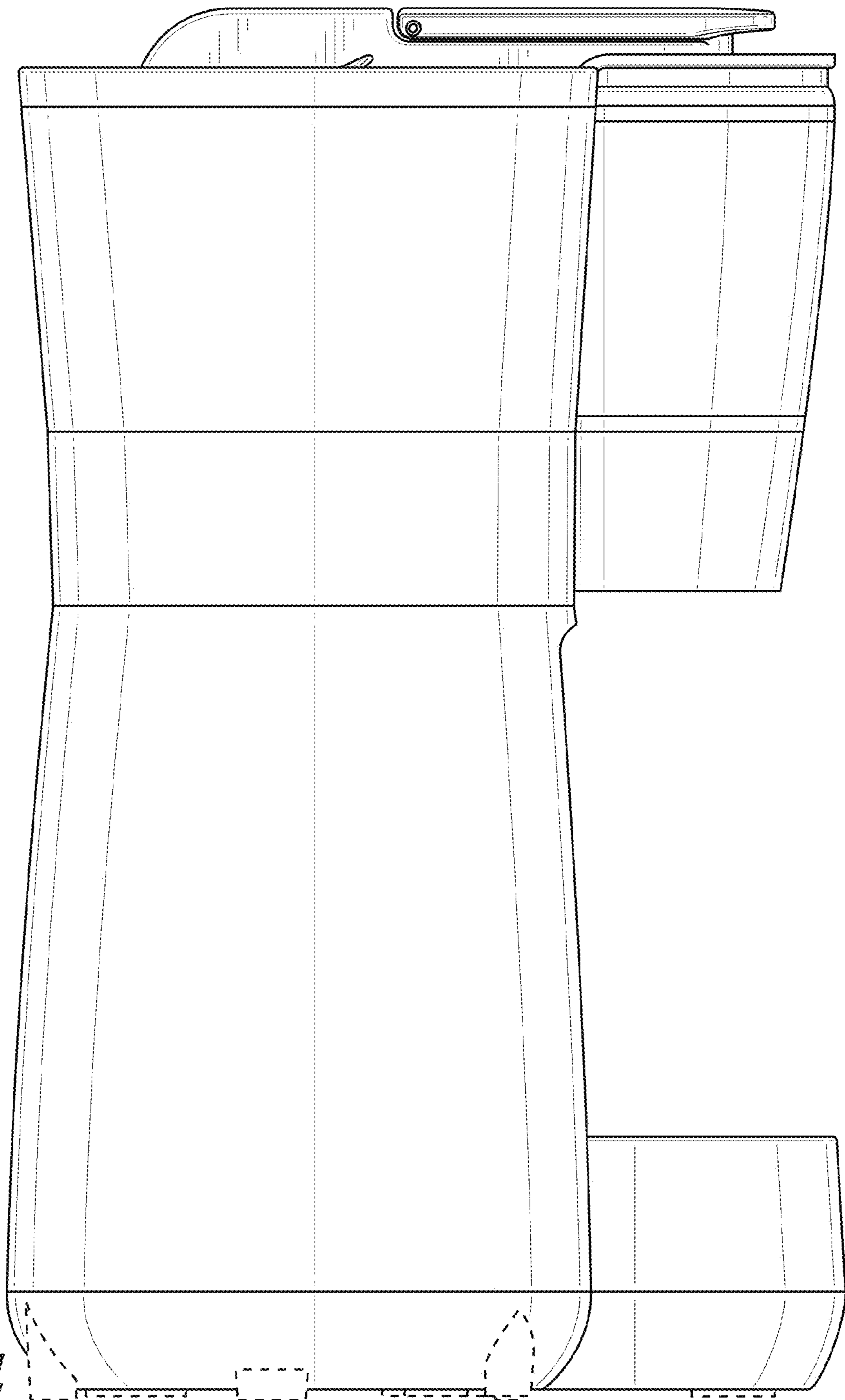
**FIG. 1**



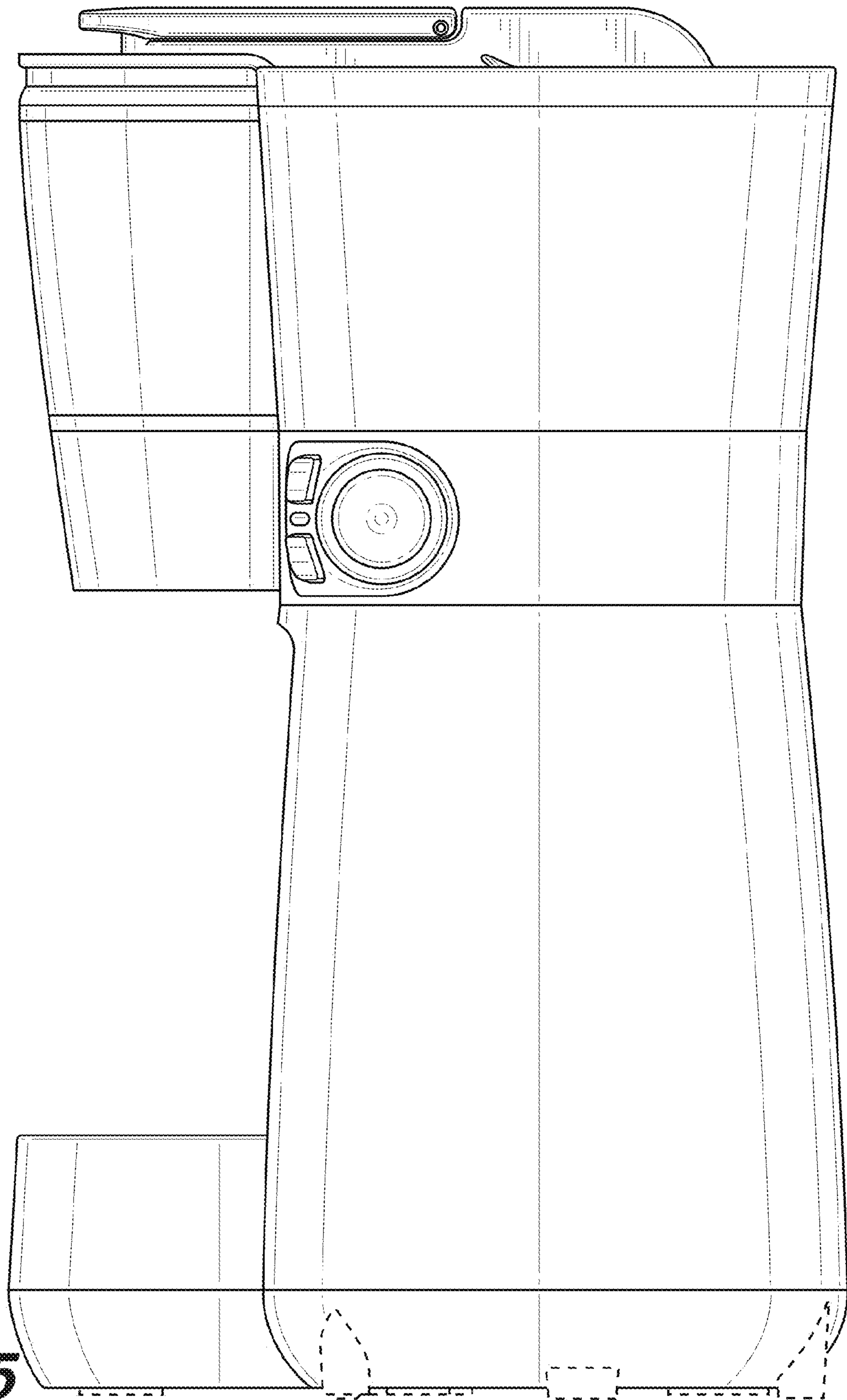
**FIG. 2**



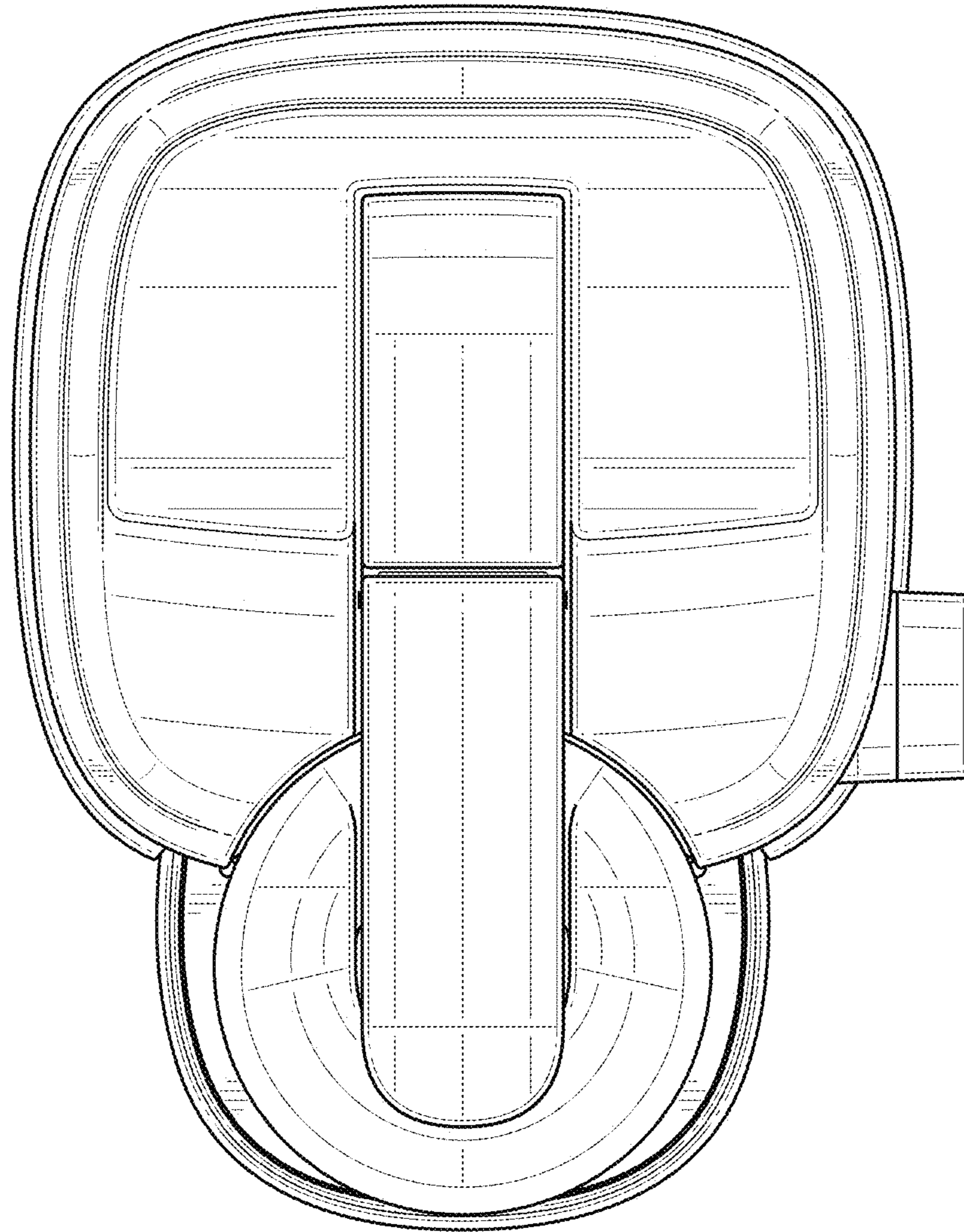
**FIG. 3**



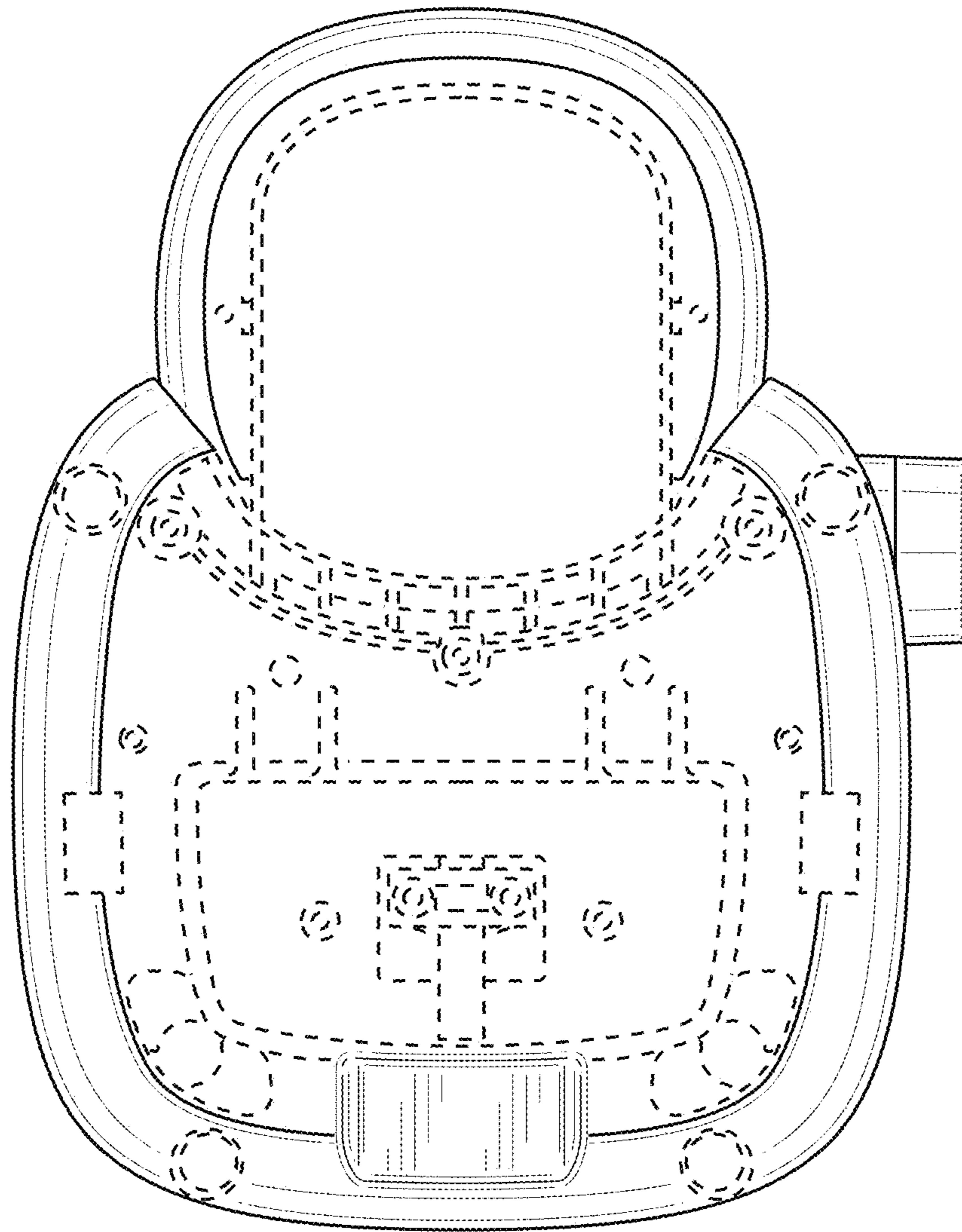
**FIG. 4**



**FIG. 5**



**FIG. 6**



**FIG. 7**