



US00D973411S

(12) **United States Design Patent** (10) **Patent No.:** **US D973,411 S**  
**Feldman et al.** (45) **Date of Patent:** **\*\* Dec. 27, 2022**

- (54) **ARMCHAIR**
- (71) Applicant: **J&D Furniture LLC**, New York, NY (US)
- (72) Inventors: **Janet Schwartz Feldman**, New York, NY (US); **Derek Feldman**, Great Neck, NY (US); **Aviv Rottenberg**, Ramat Hasharon (IL); **David Yassaf**, Neve Yamin (IL); **Gilad Davidi**, Tel Aviv (IL); **Alex Padwa**, Tel Aviv (IL)
- (73) Assignee: **J&D Furniture LLC**, New York, NY (US)
- (\*\*) Term: **15 Years**
- (21) Appl. No.: **29/814,376**
- (22) Filed: **Nov. 5, 2021**

**Related U.S. Application Data**

- (62) Division of application No. 29/674,300, filed on Dec. 20, 2018, now Pat. No. Des. 938,178, which is a division of application No. 29/561,499, filed on Apr. 15, 2016, now Pat. No. Des. 840,168.
- (51) **LOC (13) Cl.** ..... **06-06**
- (52) **U.S. Cl.**  
USPC ..... **D6/716**
- (58) **Field of Classification Search**  
USPC ..... D6/333-334, 360, 368, 375-376, 385, D6/716, 716.1  
CPC .... A47C 3/04; A47C 4/02; A47C 4/03; A47C 3/12; A47C 5/04; A47C 5/06; A47C 7/16; A47D 11/00  
See application file for complete search history.

(56) **References Cited**

**U.S. PATENT DOCUMENTS**

- D909,111 S \* 2/2021 Jan ..... D6/716
- D916,540 S \* 4/2021 Konishi ..... D6/716

- D917,185 S \* 4/2021 Reid ..... D6/334
- D917,216 S \* 4/2021 Kubryk ..... D6/716
- D917,947 S \* 5/2021 Tang ..... D6/716
- D918,634 S \* 5/2021 Peng ..... D6/716.1
- D920,700 S \* 6/2021 Borrás Pons ..... D6/368
- D921,409 S \* 6/2021 Deevers ..... D6/716
- D923,380 S \* 6/2021 Welling ..... D6/716

(Continued)

**OTHER PUBLICATIONS**

Goplus Massage Gaming Recliner Chair, Racing Style, Aug. 13, 2020, amazon.ca, Jun. 14, 2022, URL: <https://www.amazon.ca/dp/B08F79929Y/> (Year: 2020).\*

(Continued)

*Primary Examiner* — Keith J Wilson

(74) *Attorney, Agent, or Firm* — Meister Seelig & Fein LLP

(57) **CLAIM**

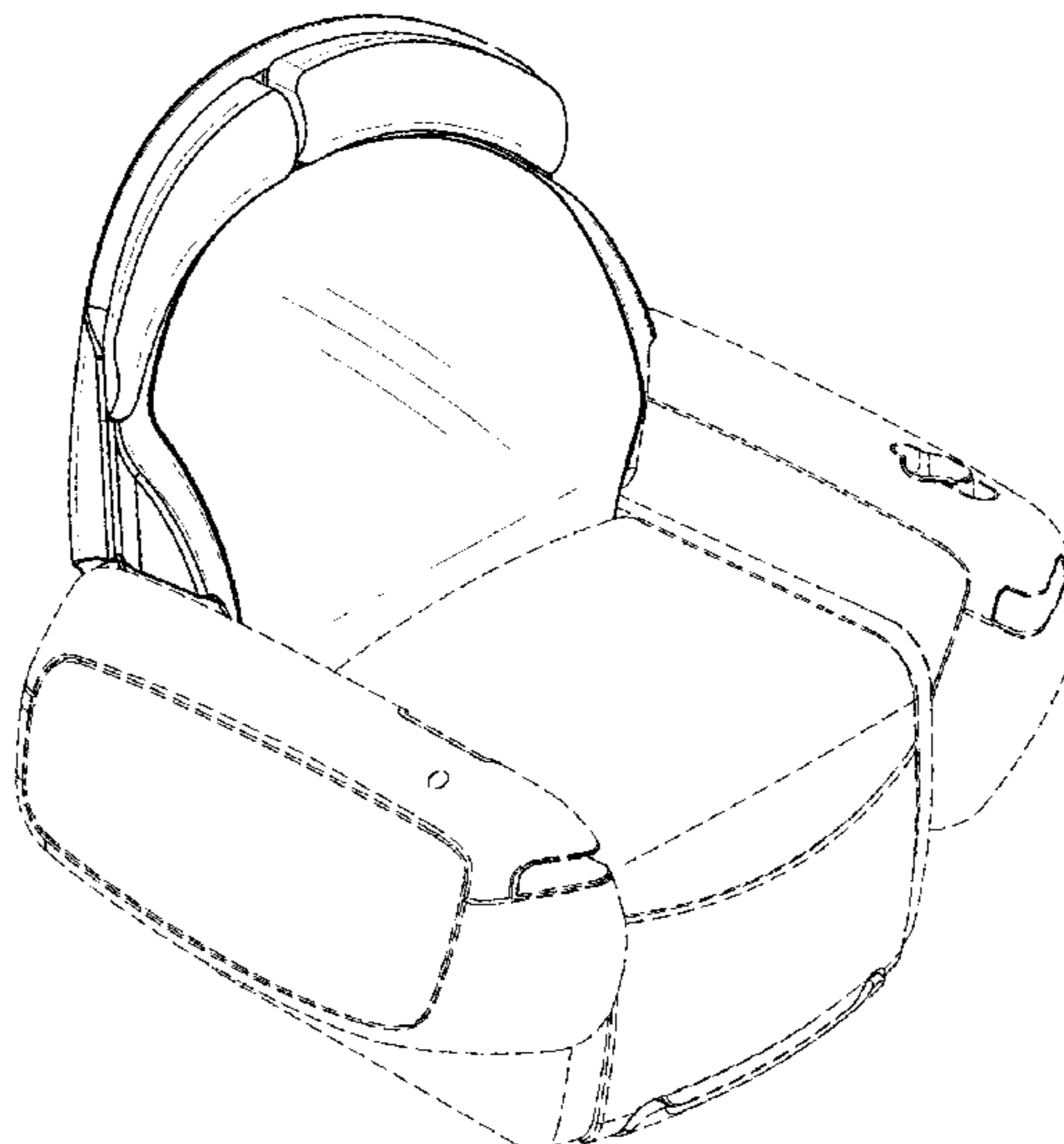
The ornamental design for a armchair, as shown and described.

**DESCRIPTION**

FIG. 1 is a perspective view of the left, top, and front sides of the armchair according to our new design;  
FIG. 2 is a top view thereof;  
FIG. 3 is a bottom view thereof;  
FIG. 4 is a left side view thereof;  
FIG. 5 is a right side view thereof;  
FIG. 6 is a front view thereof;  
FIG. 7 is a back view thereof; and,  
FIG. 8 is a perspective view of the left, top, and front sides of the armchair in a reclined position according to our new design.

The broken lines shown in the drawings represent portions of a armchair that form no part of the claimed design.

**1 Claim, 8 Drawing Sheets**



(56)

**References Cited**

U.S. PATENT DOCUMENTS

D925,240 S \* 7/2021 Imrich ..... D6/333

OTHER PUBLICATIONS

Honey Joy Kids Recliner, 2-in-1 Toddler Armrest Sofa, Nov. 2, 2019, amazon.ca, Jun. 14, 2022, URL: <https://www.amazon.ca/dp/B07YTP59TM/> (Year: 2019).\*

Genuine Leather Power Lift Recliner, Dec. 20, 2021, amazon.ca, Jun. 14, 2022, URL: <https://www.amazon.ca/Genuine-Leather-Recliner-Elderly-Massage/dp/B09L7T4F1S/> (Year: 2021).\*

\* cited by examiner

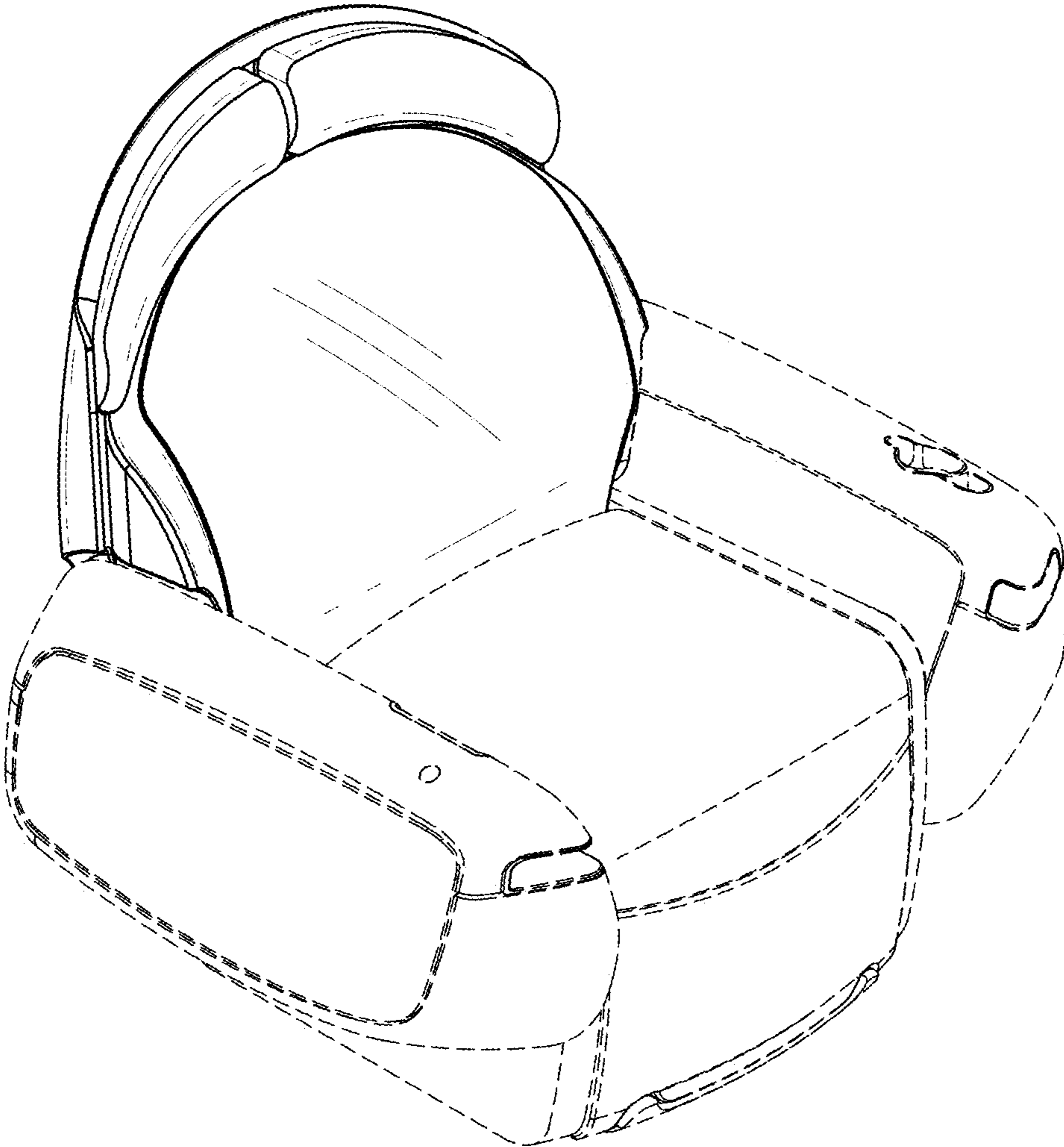


FIG. 1

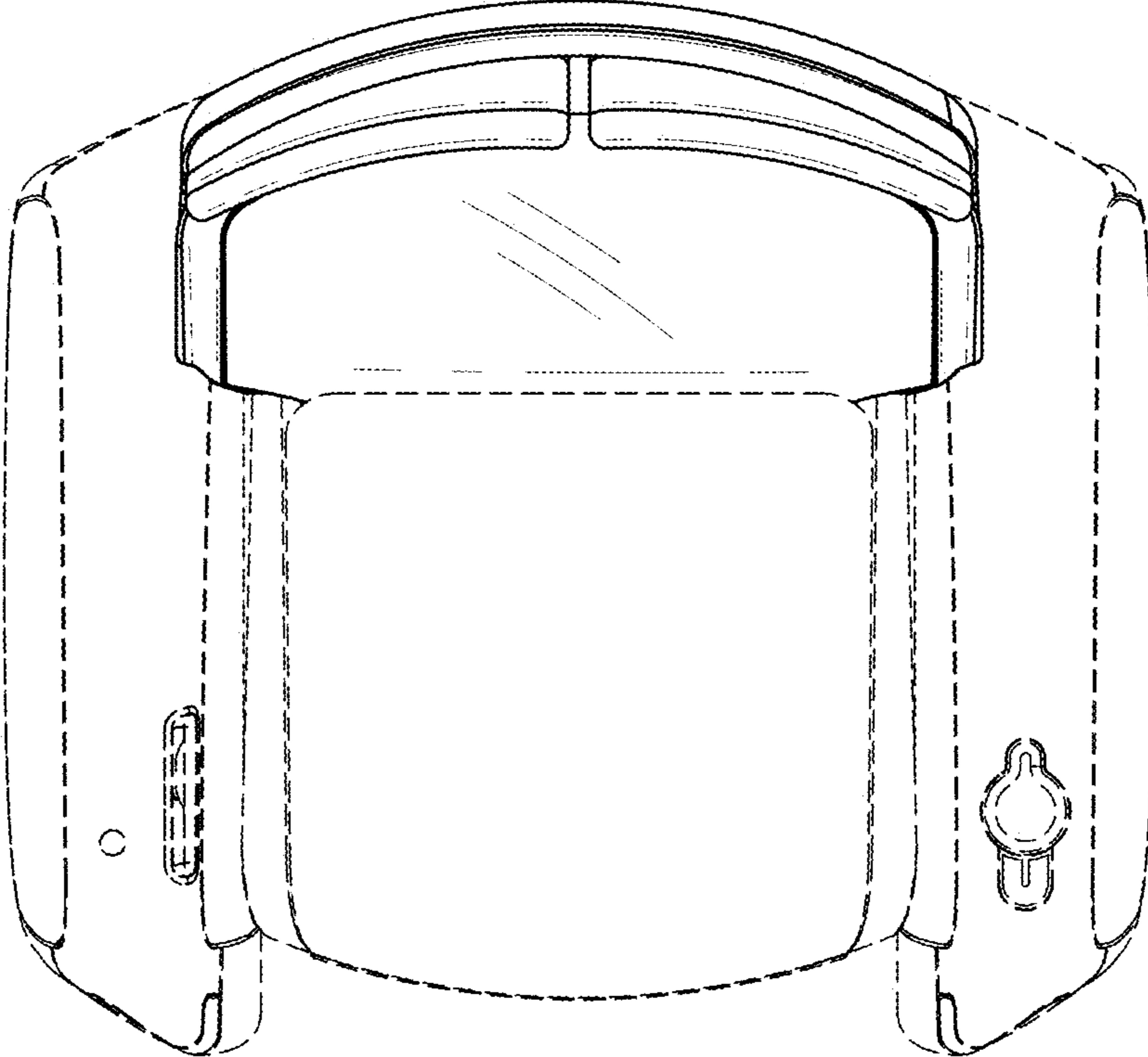


FIG. 2

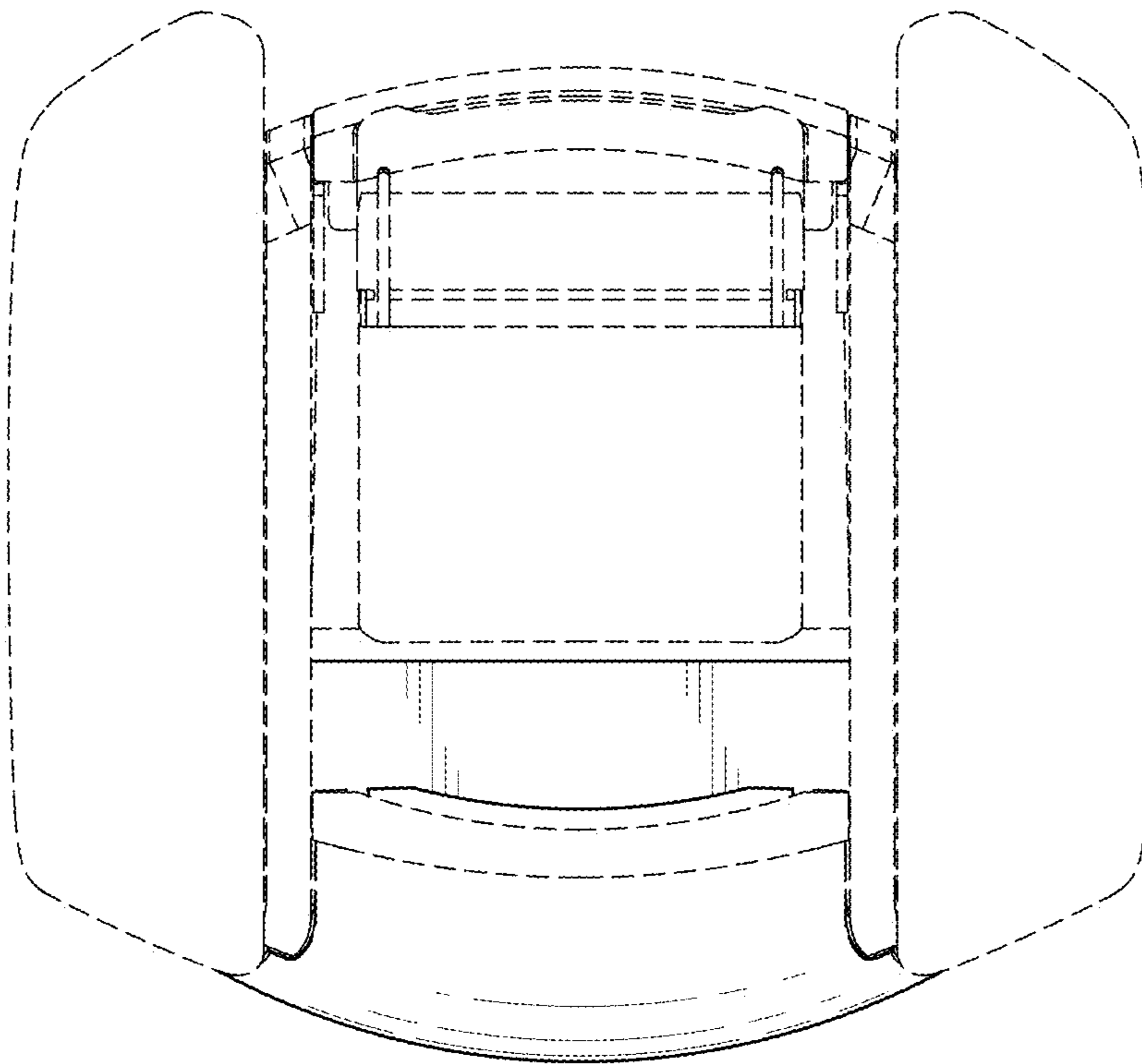


FIG. 3

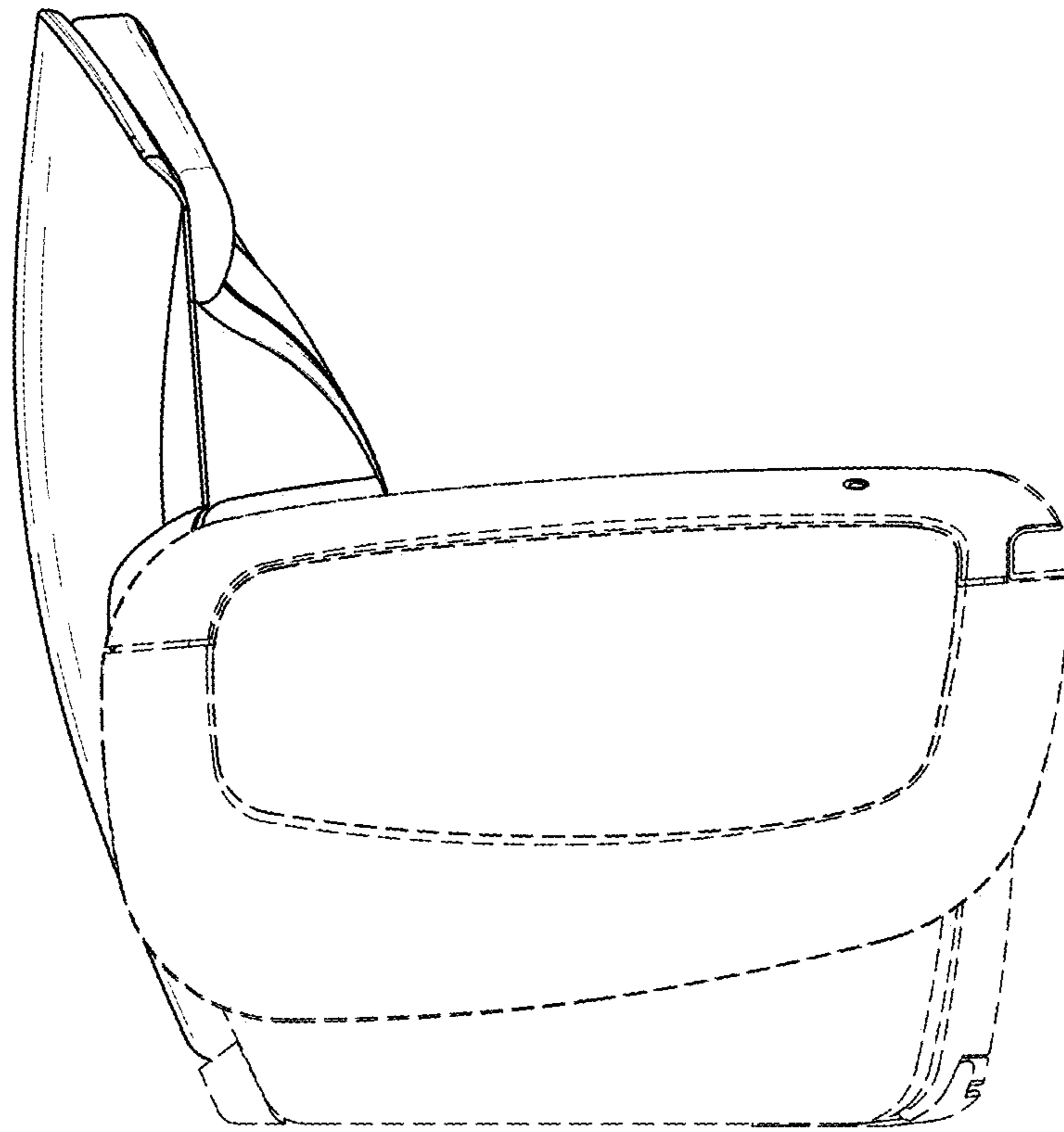


FIG. 4

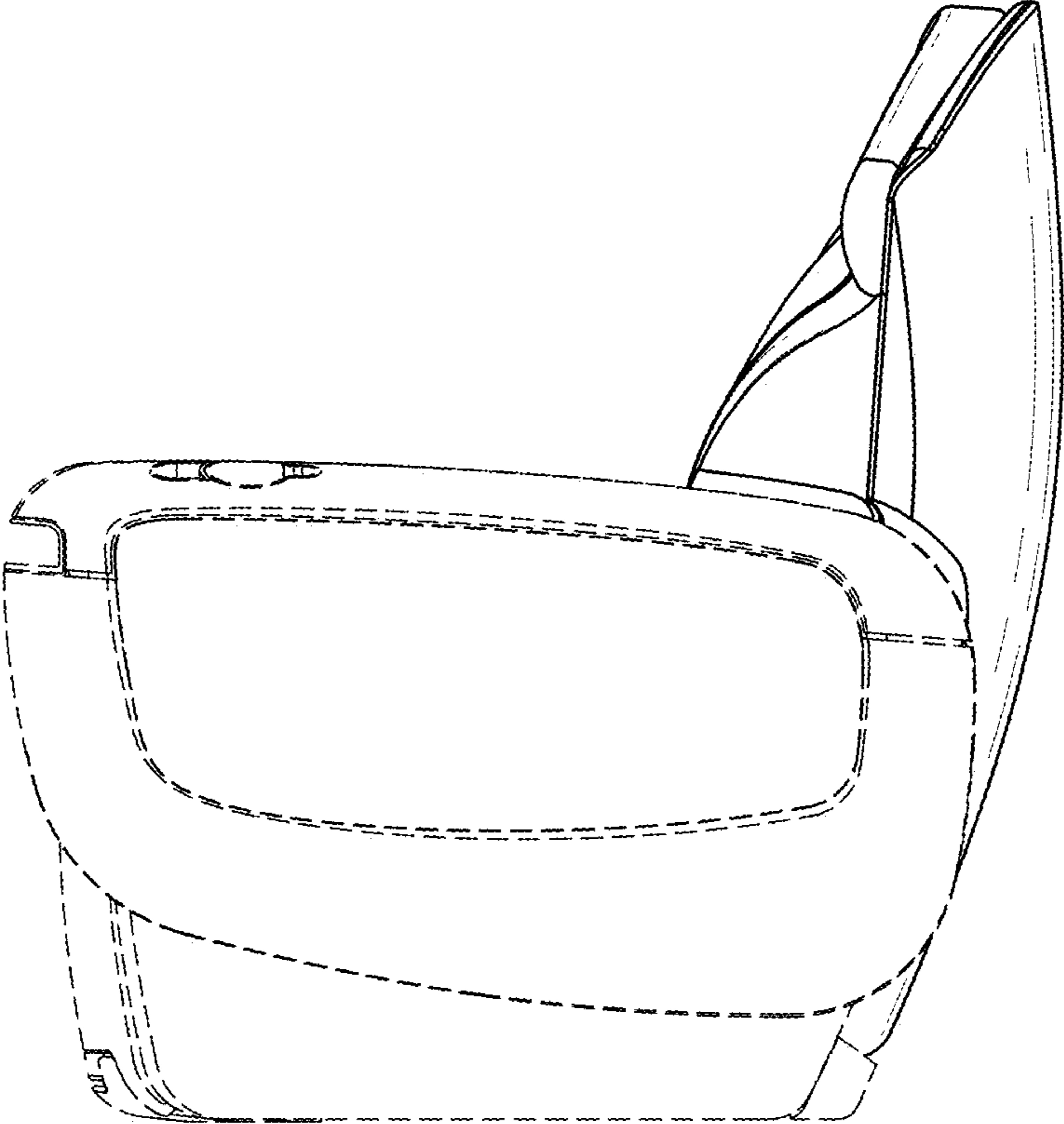


FIG. 5

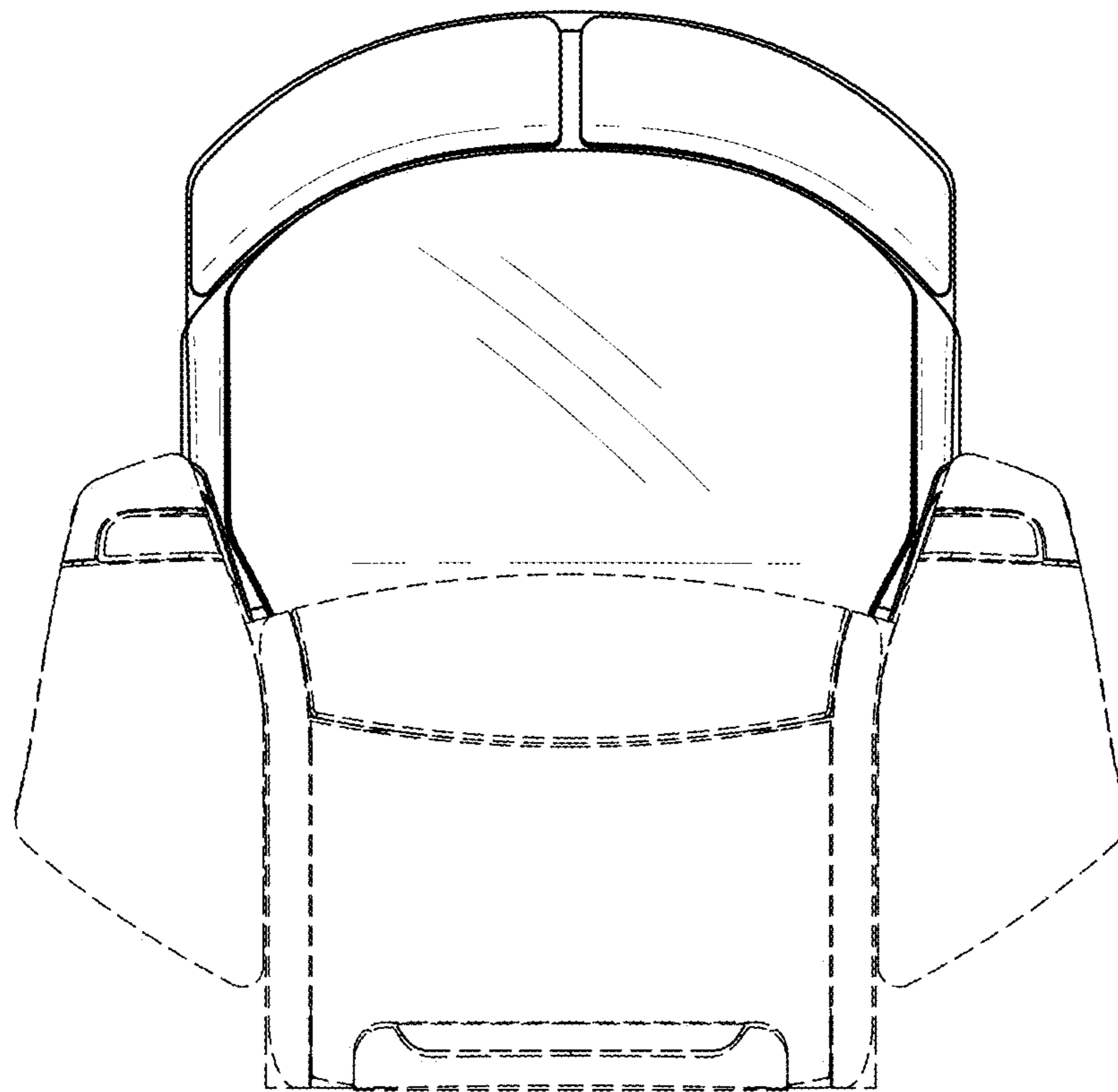


FIG. 6



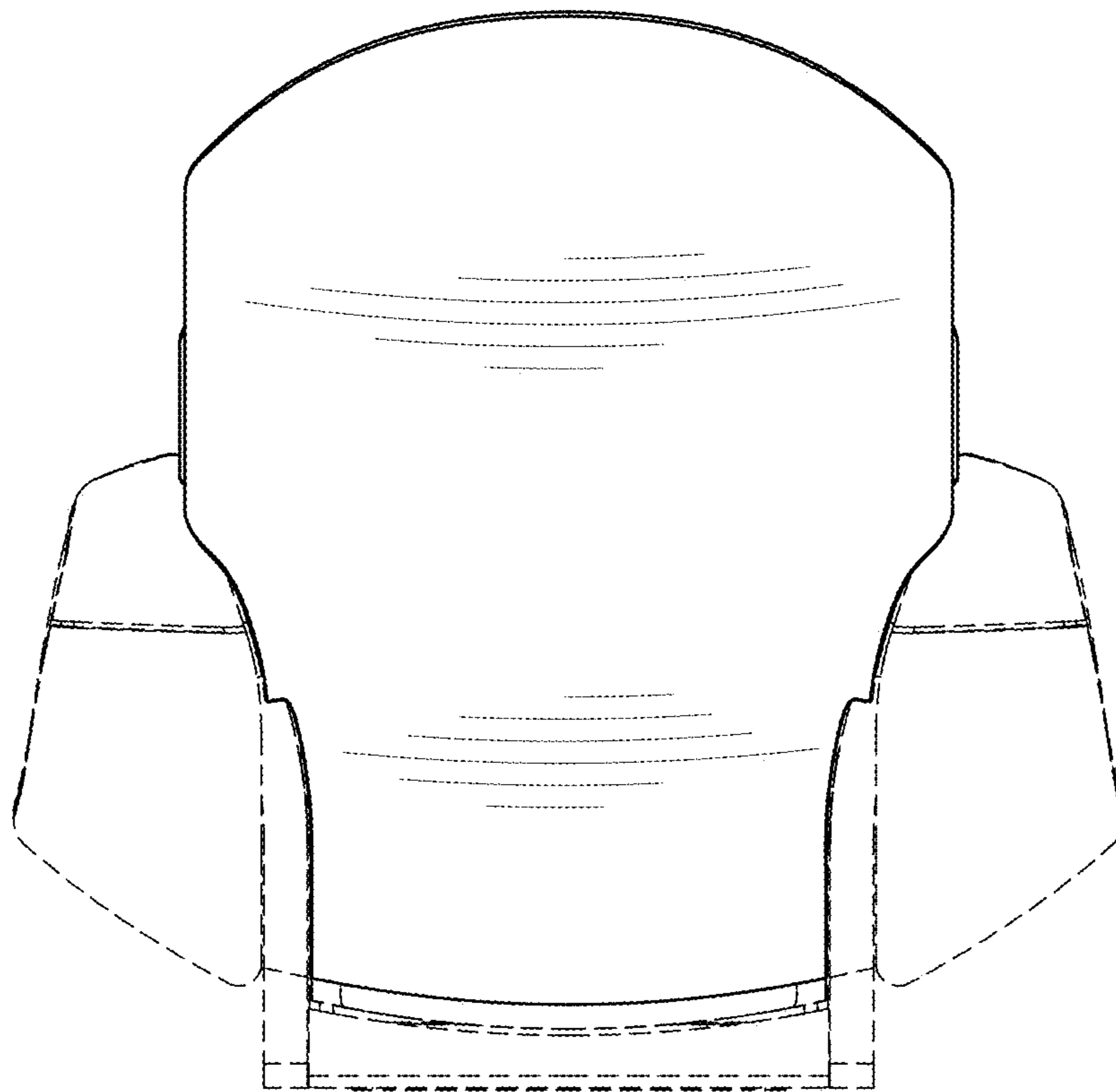


FIG. 7

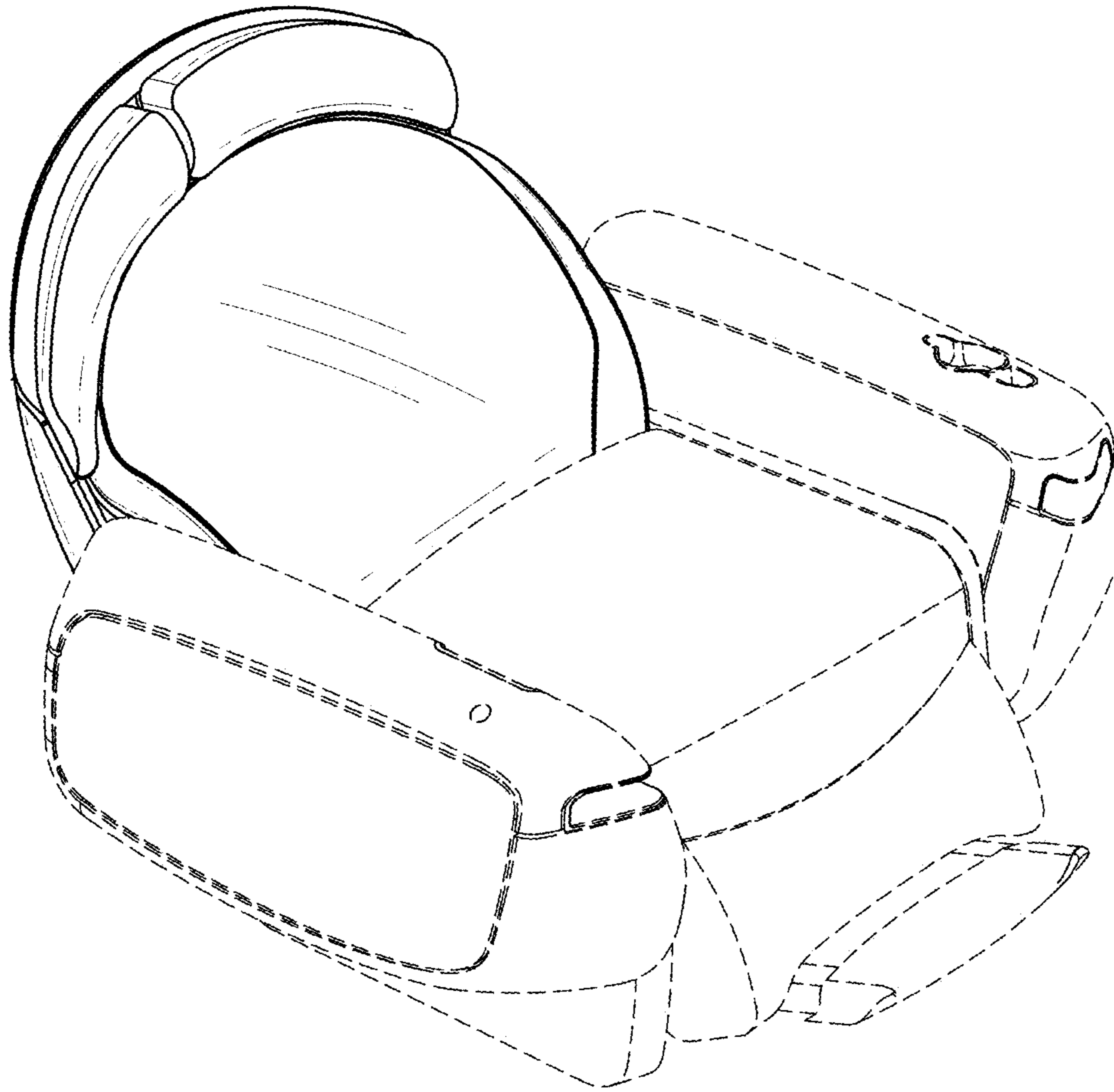


FIG. 8