



US00D973410S

(12) **United States Design Patent** (10) **Patent No.:** **US D973,410 S**  
**Black** (45) **Date of Patent:** **\*\* Dec. 27, 2022**

(54) **DRAWER ORGANIZER**

(71) Applicant: **Jasper & Black**, Tucson, AZ (US)

(72) Inventor: **Jeremy P. Black**, Tucson, AZ (US)

(73) Assignee: **Jasper & Black**, Tucson, AZ (US)

(\*\*) Term: **15 Years**

(21) Appl. No.: **29/771,780**

(22) Filed: **Feb. 25, 2021**

(51) **LOC (13) Cl.** ..... **06-06**

(52) **U.S. Cl.**  
USPC ..... **D6/706**

(58) **Field of Classification Search**  
USPC ..... D7/637-641, 631; 30/298.4; 211/60.1,  
211/70.6, 70.7, 41.4, 106, 126.8, 126.9,  
(Continued)

(56) **References Cited**

U.S. PATENT DOCUMENTS

D760,519 S \* 7/2016 Le ..... D6/706  
D766,022 S \* 9/2016 Nelson ..... D6/705  
(Continued)

*Primary Examiner* — Abraham Bahta

(74) *Attorney, Agent, or Firm* — Christensen, Fonder,  
Dardi and Herbert, PLLC

(57) **CLAIM**

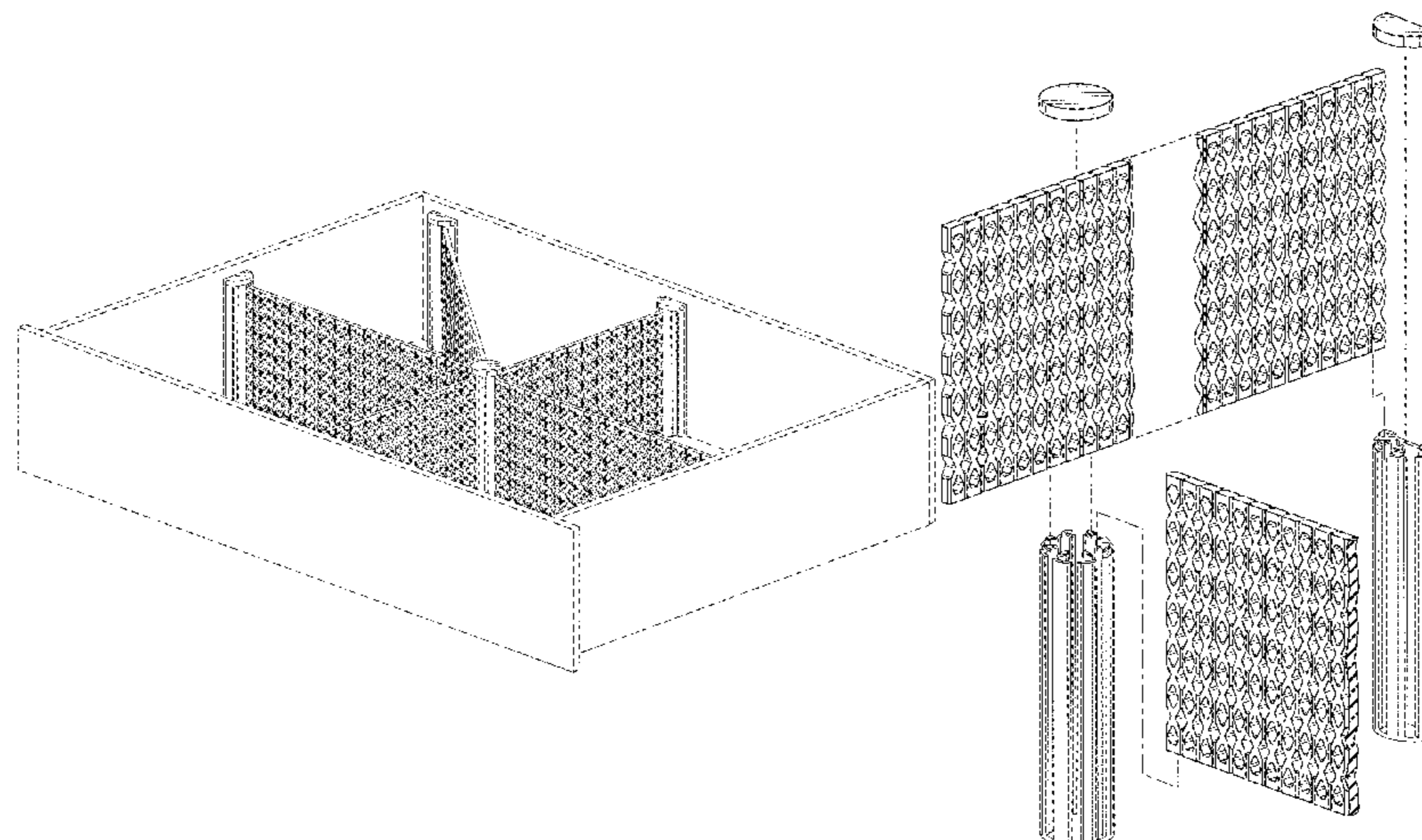
The ornamental design for a drawer organizer, as shown and described.

**DESCRIPTION**

FIG. 1 is a perspective view of the drawer organizer having two supports and organizer walls;  
FIG. 2 is a perspective view of the first support with cap shown in FIG. 1;  
FIG. 3 is a front view thereof;  
FIG. 4 is a rear view thereof;

FIG. 5 is a left-side view thereof;  
FIG. 6 is a right-side view thereof;  
FIG. 7 is a top view thereof;  
FIG. 8 is a bottom view thereof;  
FIG. 9 is a perspective view of the second support with cap of FIG. 1;  
FIG. 10 is a front view thereof;  
FIG. 11 is a rear view thereof;  
FIG. 12 is a right-side view thereof;  
FIG. 13 is a left-side view thereof;  
FIG. 14 is a top view thereof;  
FIG. 15 is a bottom view thereof;  
FIG. 16 is a bottom perspective view of the cap of the first support;  
FIG. 17 is a top view thereof;  
FIG. 18 is a bottom view thereof;  
FIG. 19 is a front view thereof;  
FIG. 20 is a bottom perspective view of the cap of the second support;  
FIG. 21 is a front view thereof;  
FIG. 22 is a bottom view thereof;  
FIG. 23 is a right-side view thereof;  
FIG. 24 is a rear view thereof;  
FIG. 25 is a top view thereof;  
FIG. 26 is a perspective view of the first support wherein the cap is removed;  
FIG. 27 is a front view thereof;  
FIG. 28 is a rear view thereof;  
FIG. 29 is a top view thereof;  
FIG. 30 is a bottom view thereof;  
FIG. 31 is a perspective view of the second support wherein the cap is removed;  
FIG. 32 is a front view thereof;  
FIG. 33 is a rear view thereof;  
FIG. 34 is a right-side view thereof;  
FIG. 35 is a top view thereof;  
FIG. 36 is a bottom view thereof;  
FIG. 37 is a perspective view of one of the walls of the drawer organizer shown in FIG. 1;  
FIG. 38 is a top view thereof;  
FIG. 39 is a front view thereof;  
FIG. 40 is a left-side view thereof; and,  
FIG. 41 is an exploded view of the drawer organizer shown in FIG. 1.

(Continued)



FIGS. 1-41 include broken lines of a first type that are directed to environment and are for illustrative purposes only; the broken lines of the first type form no part of the claimed design. The broken lines of the first type are depicted by a series of short dashes, each dash of approximately equal length. FIG. 41, an exploded view, includes broken lines of a second type that are explode lines indicating a relative position of the supports, caps and walls of the drawer organizer when assembled, and that form no part of the claimed design. The broken lines of the second type are depicted as a series of pairs of short dashes and long dashes.

**1 Claim, 18 Drawing Sheets**

(58) **Field of Classification Search**

USPC ..... 211/133.2; 248/37.3, 37.6; D3/306;

D6/566-574; D19/75, 81-86, 90, 92;  
220/491; D12/415-419, 191, 106, 96,  
D12/400, 195, 345, 99

CPC ..... A47B 88/20; A47B 88/00; A47B 88/04;  
A47F 7/00; A47F 7/14; A47G 21/00;  
A47G 21/14; A47G 21/16; A47G 29/00;  
B65D 1/34; B65D 1/36; B65D 21/046;  
B65D 21/048; B60R 5/00; B60R 5/04;  
B60R 7/00; B60R 7/02

See application file for complete search history.

(56)

**References Cited**

U.S. PATENT DOCUMENTS

D886,543 S \* 6/2020 Repko ..... D7/637  
D909,285 S \* 2/2021 Baker ..... D12/426  
D935,283 S \* 11/2021 Veldkamp ..... D7/637

\* cited by examiner



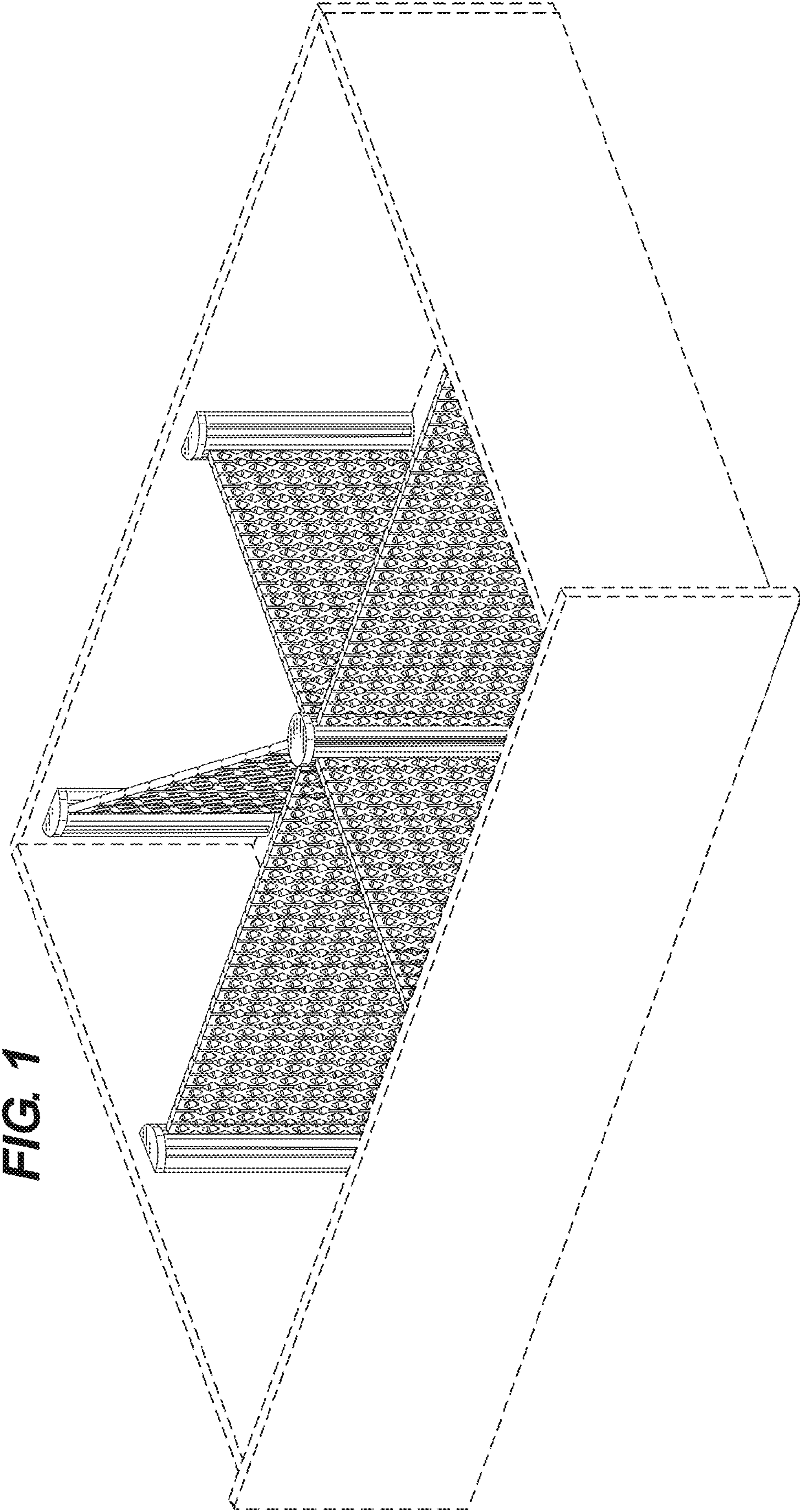
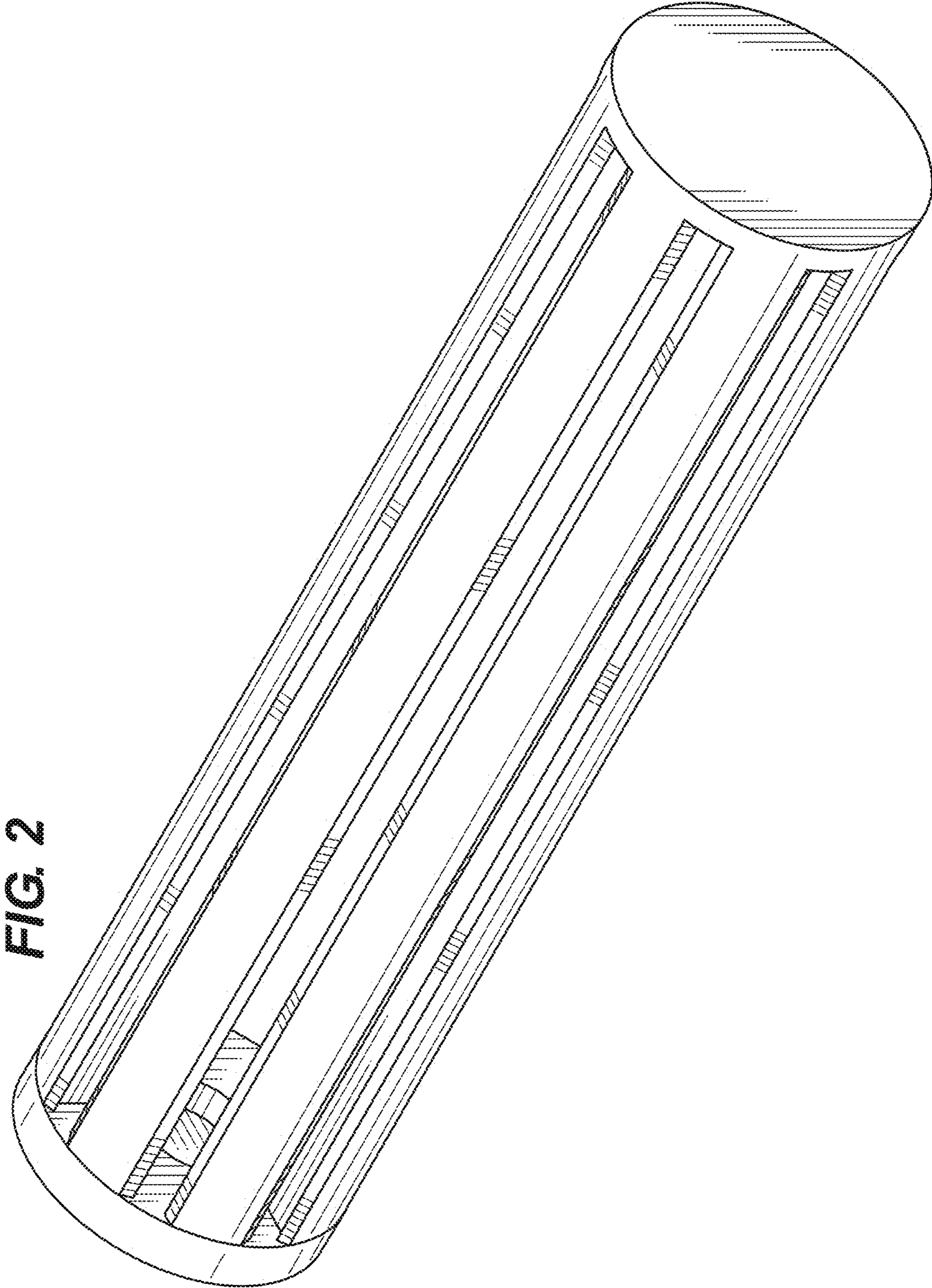
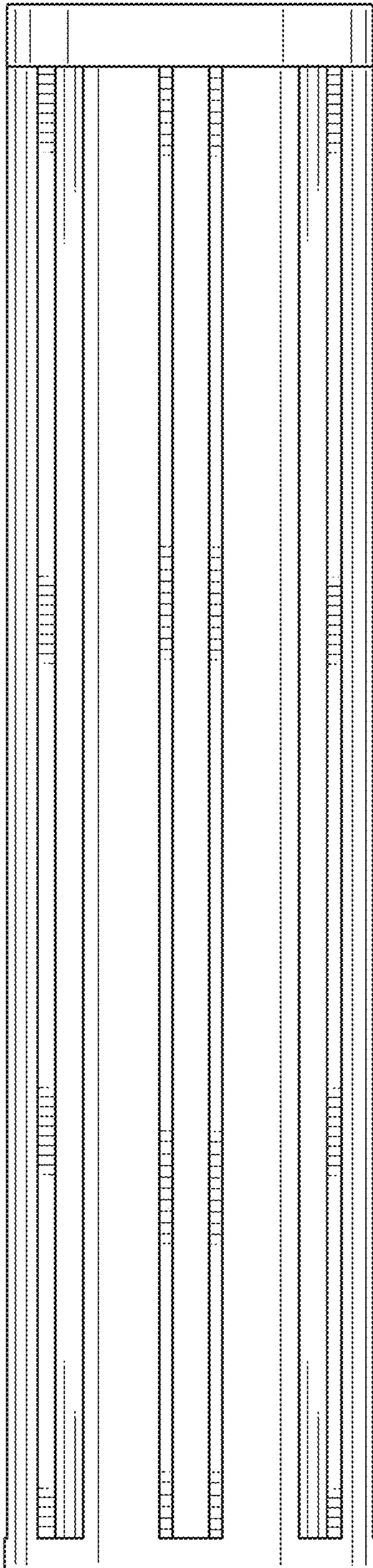


FIG. 1

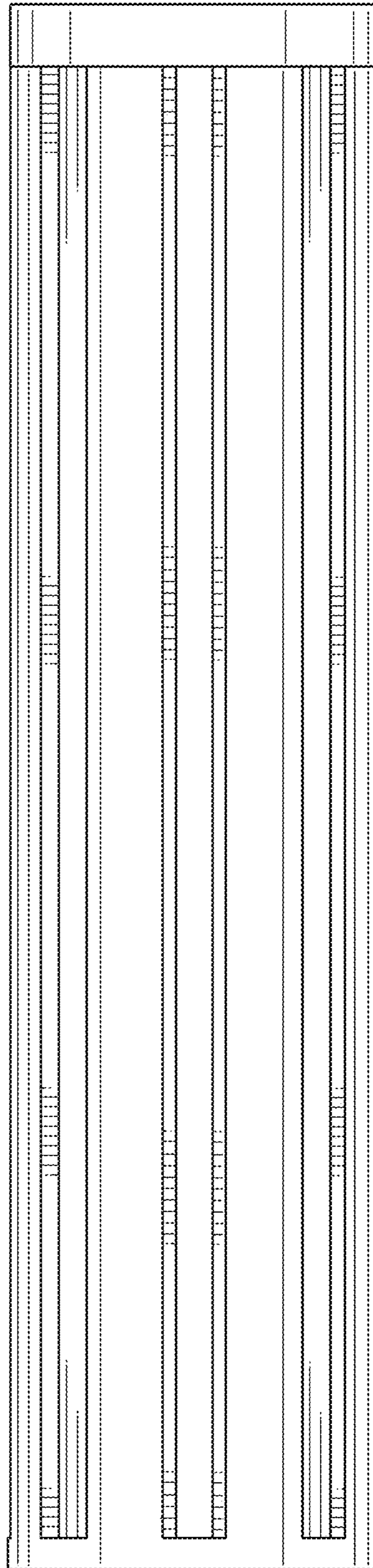




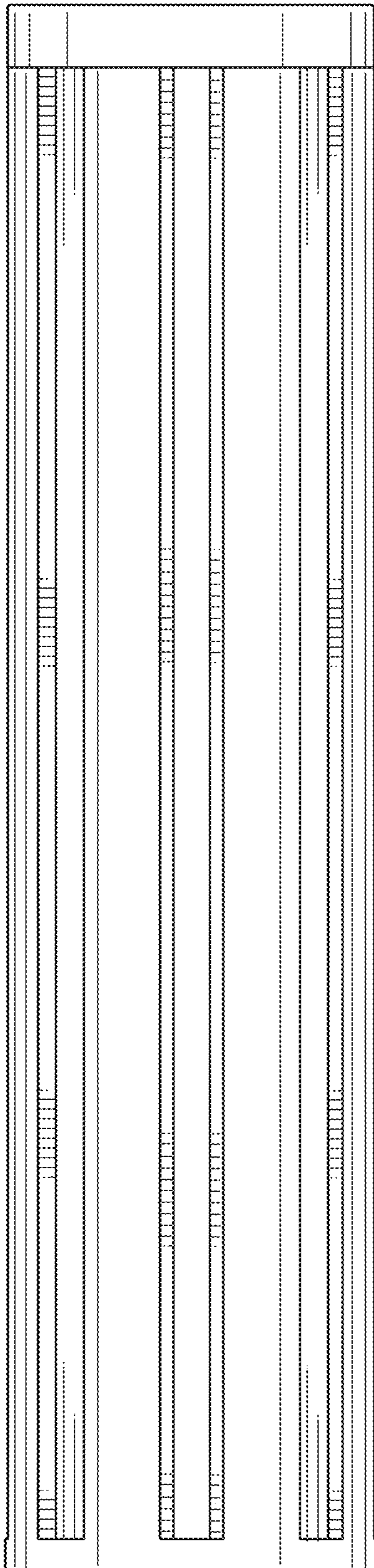
**FIG. 3**



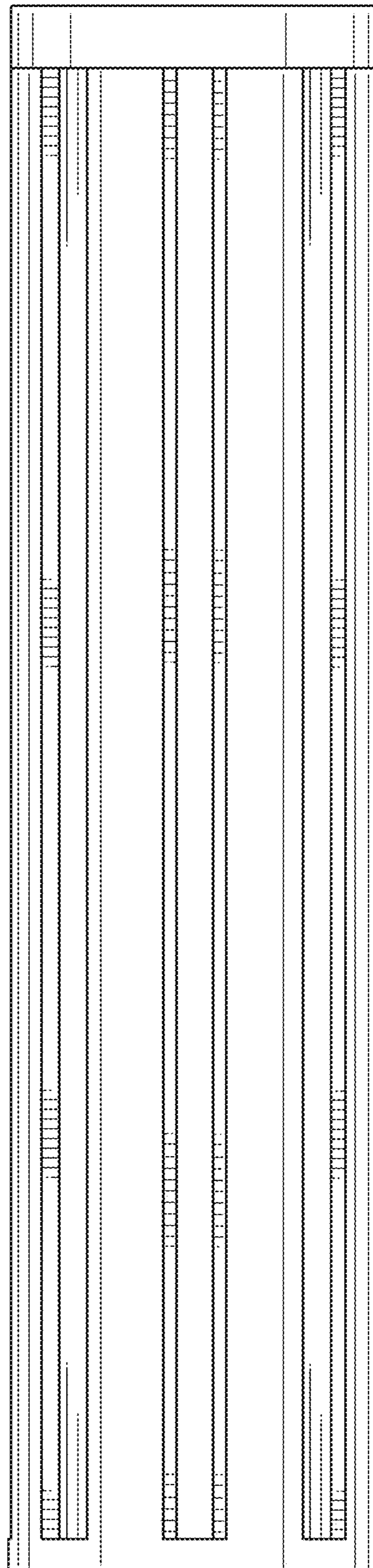
**FIG. 4**



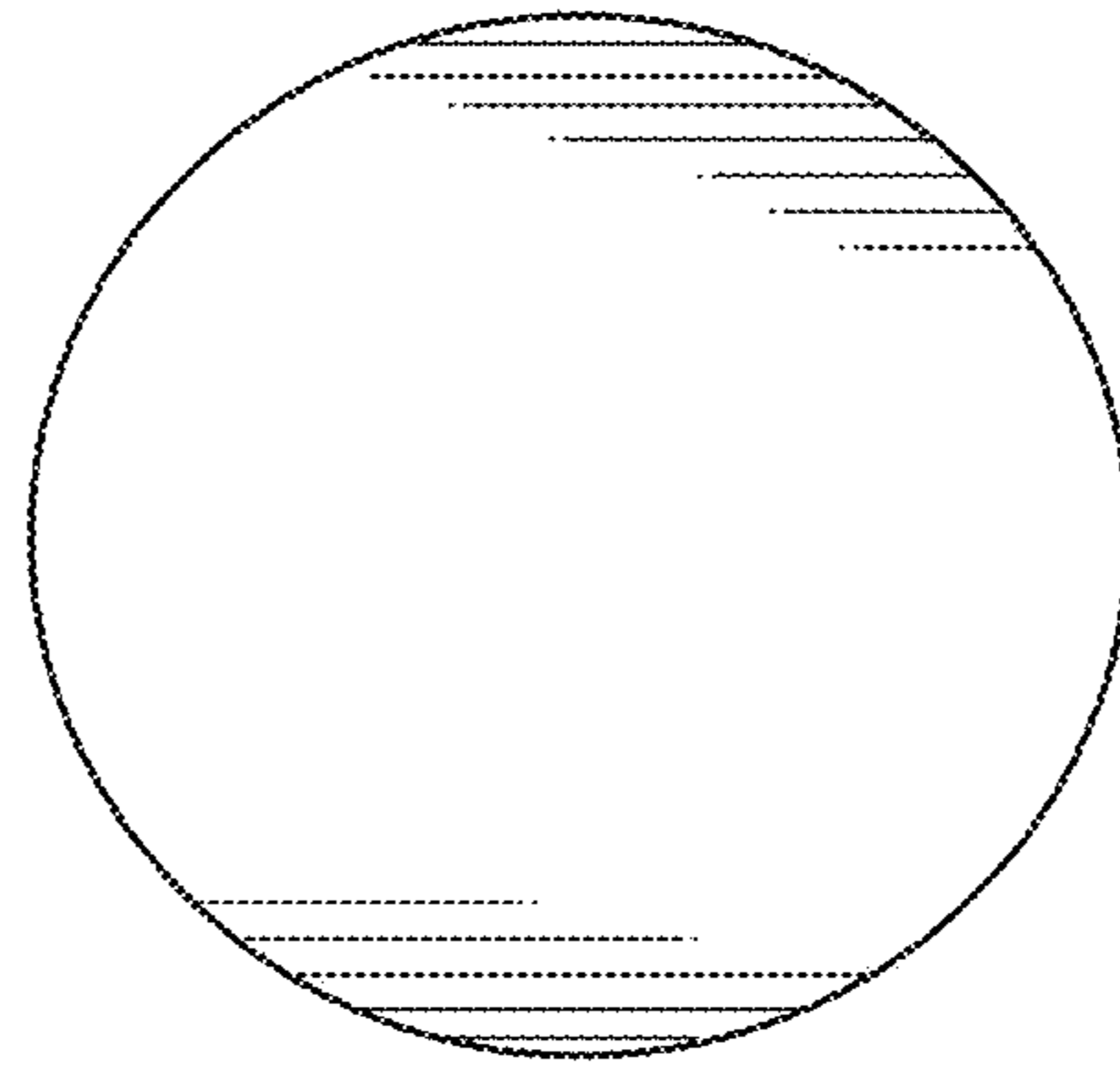
**FIG. 5**



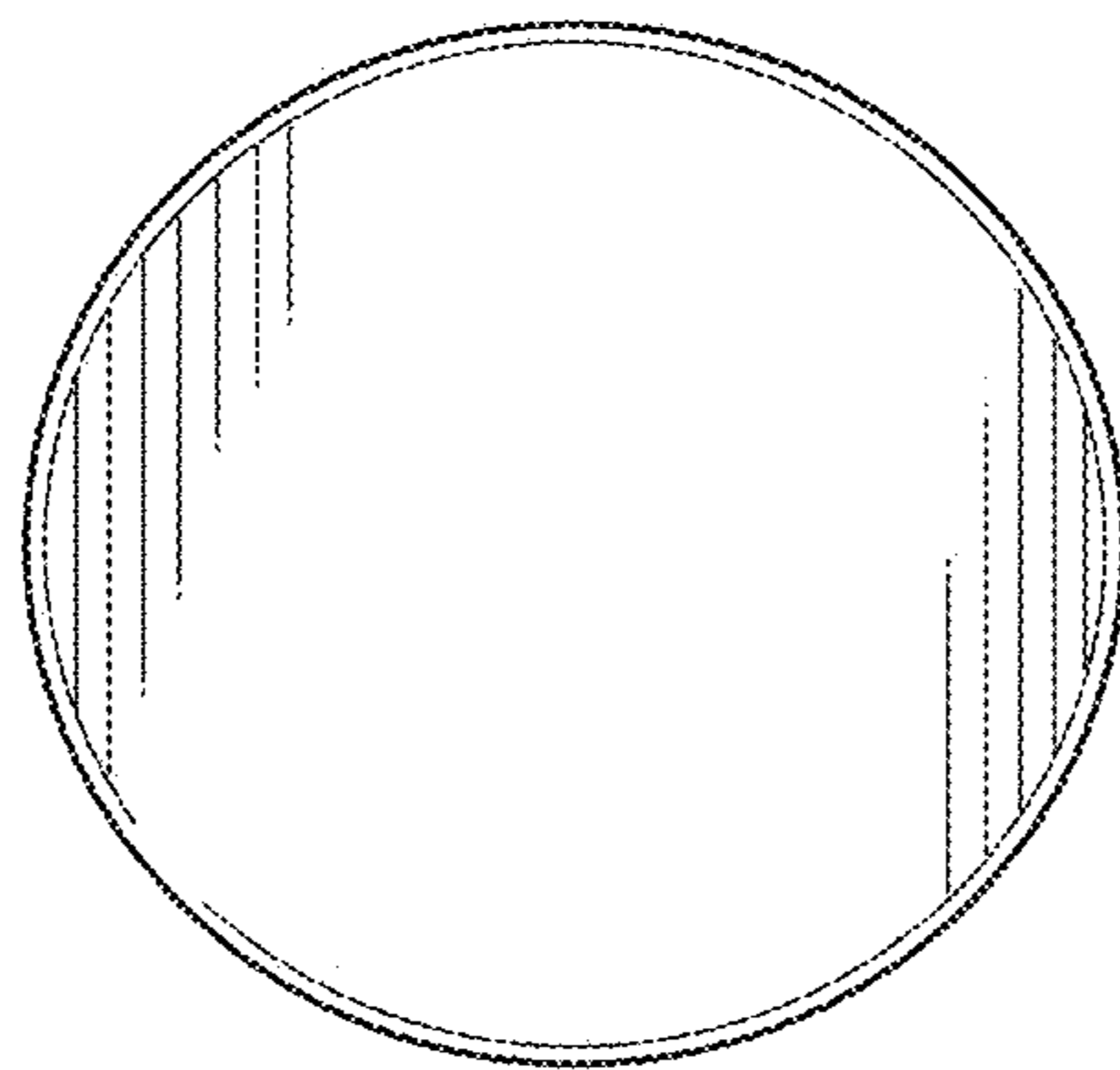
**FIG. 6**



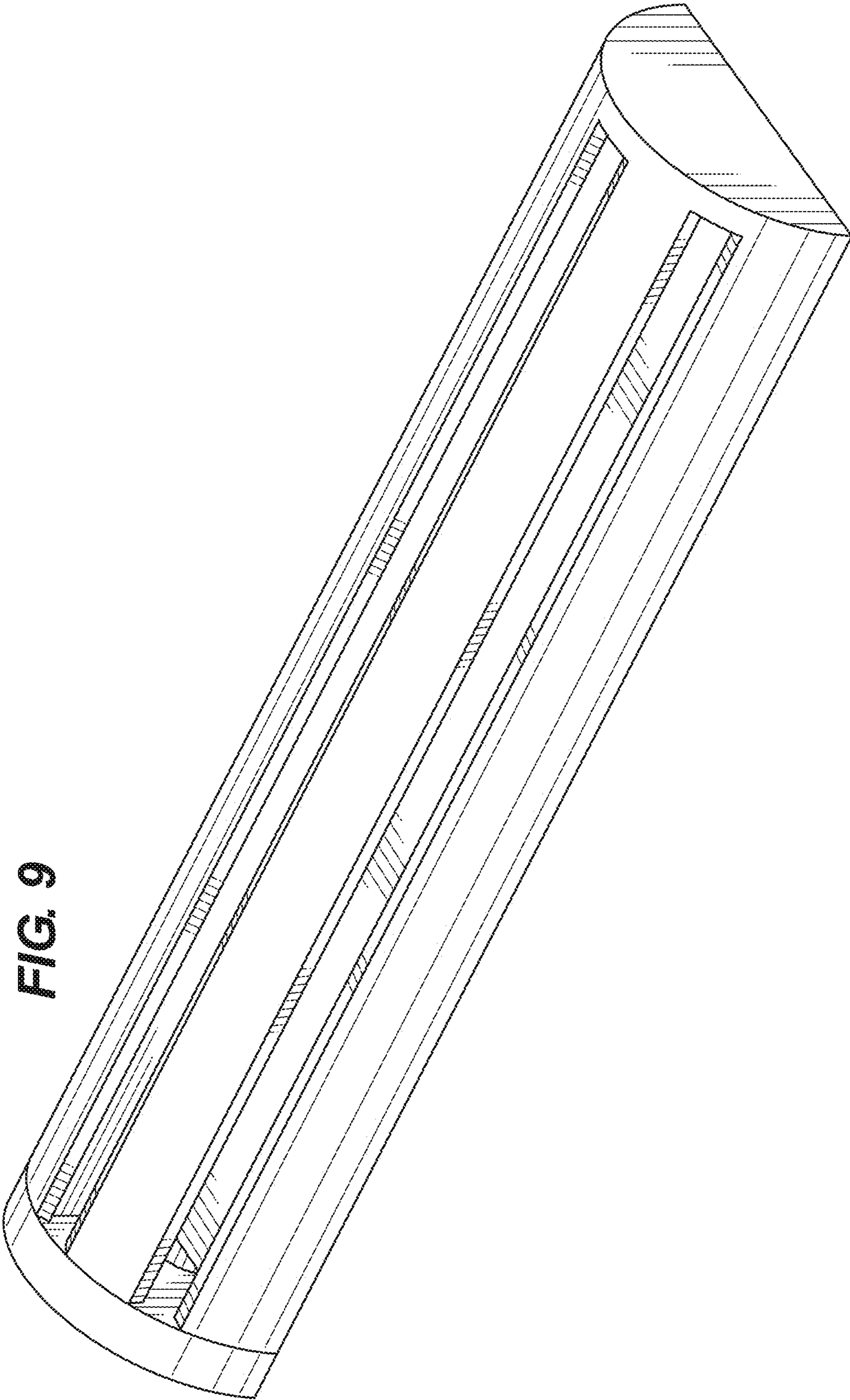
**FIG. 8**



**FIG. 7**

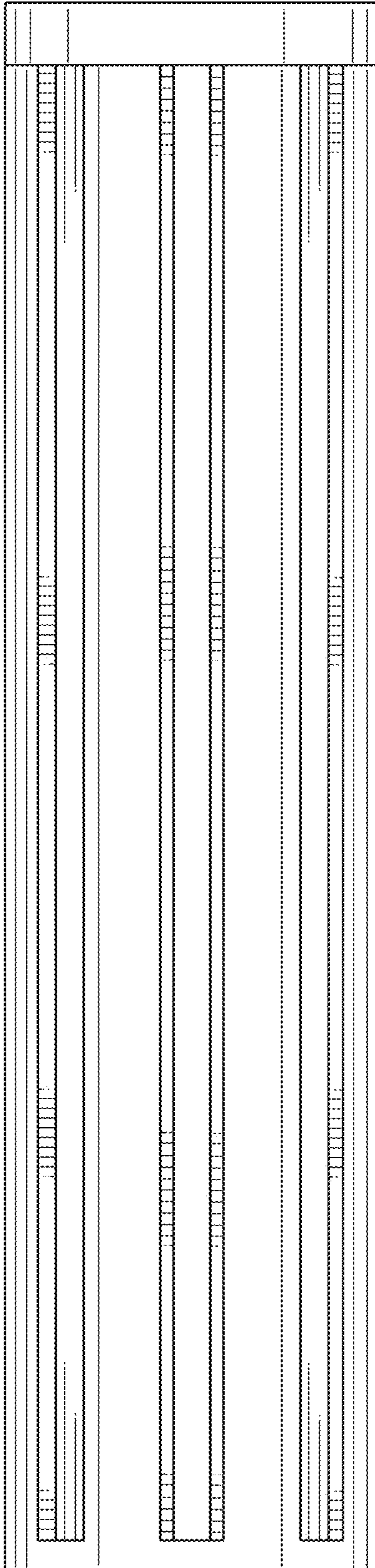




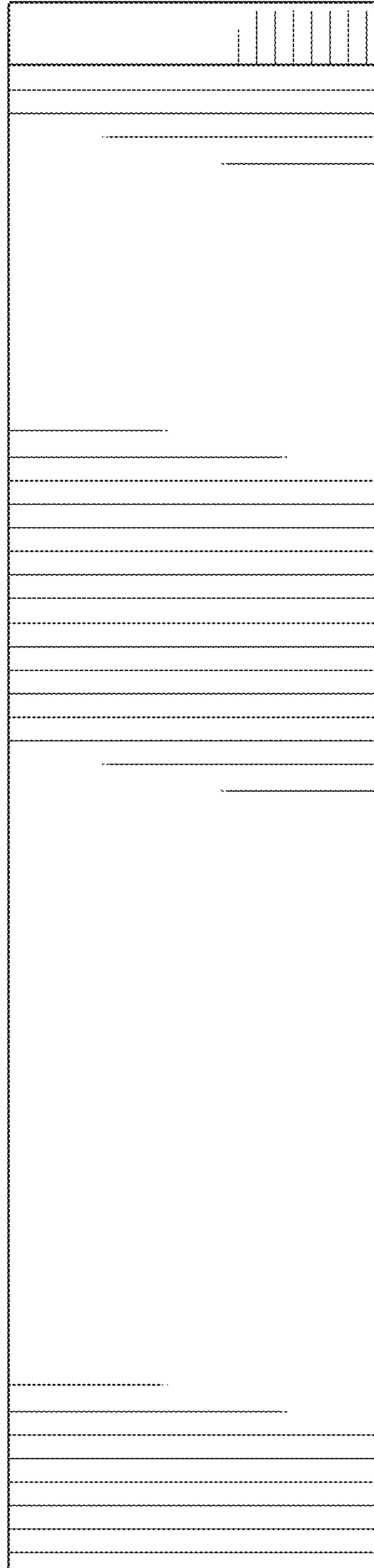




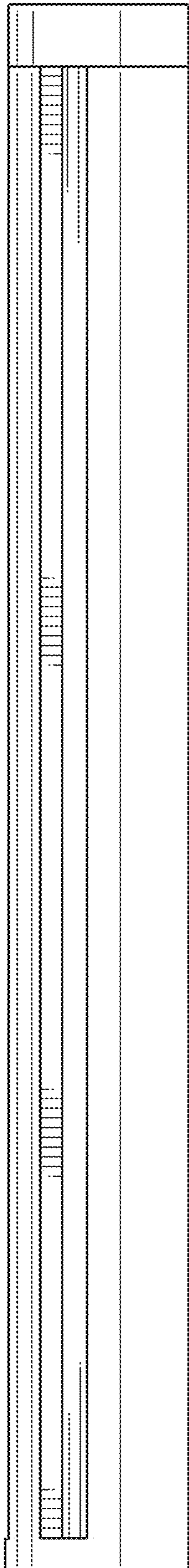
**FIG. 10**



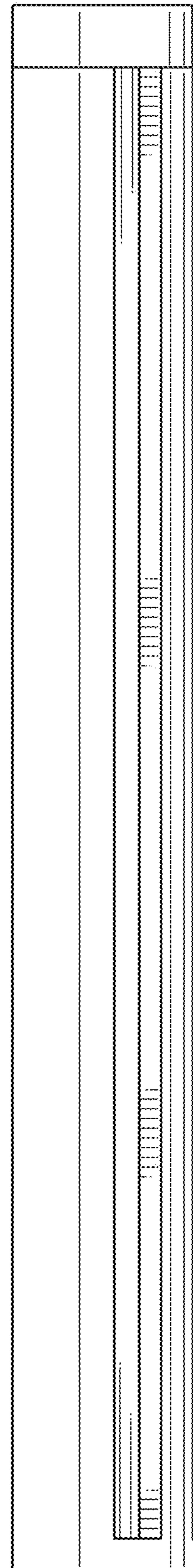
**FIG. 11**



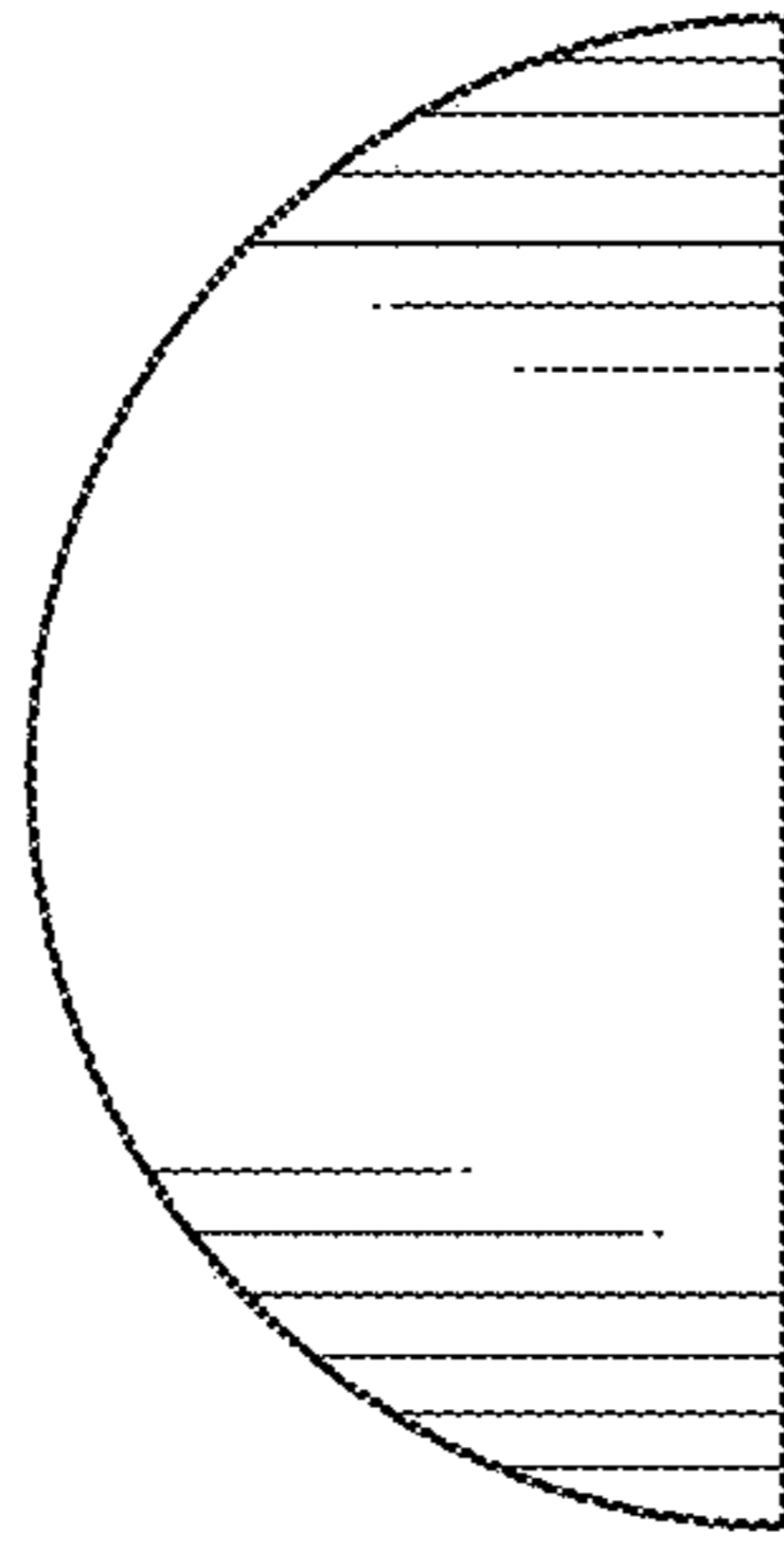
**FIG. 12**



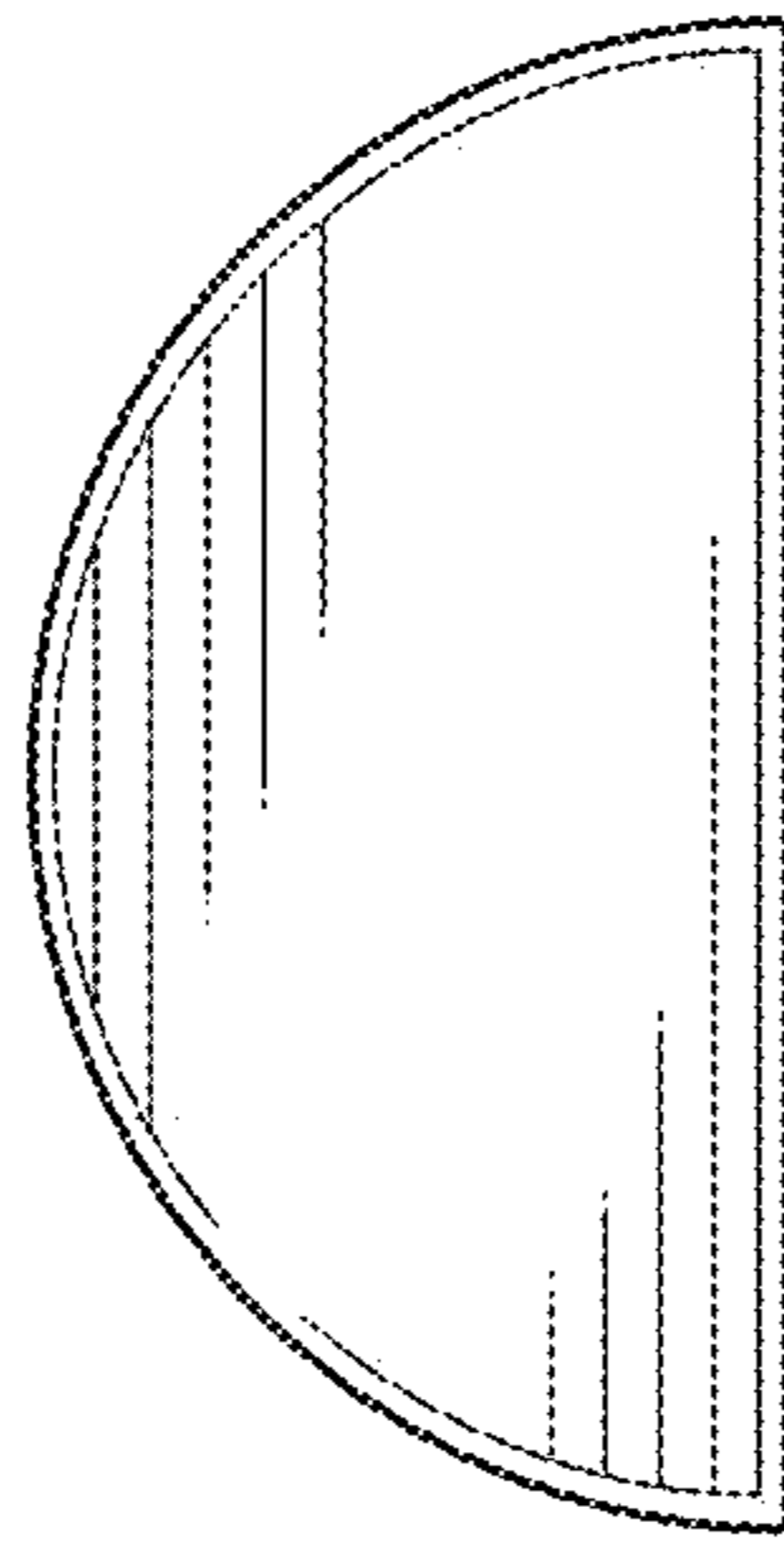
**FIG. 13**



**FIG. 15**

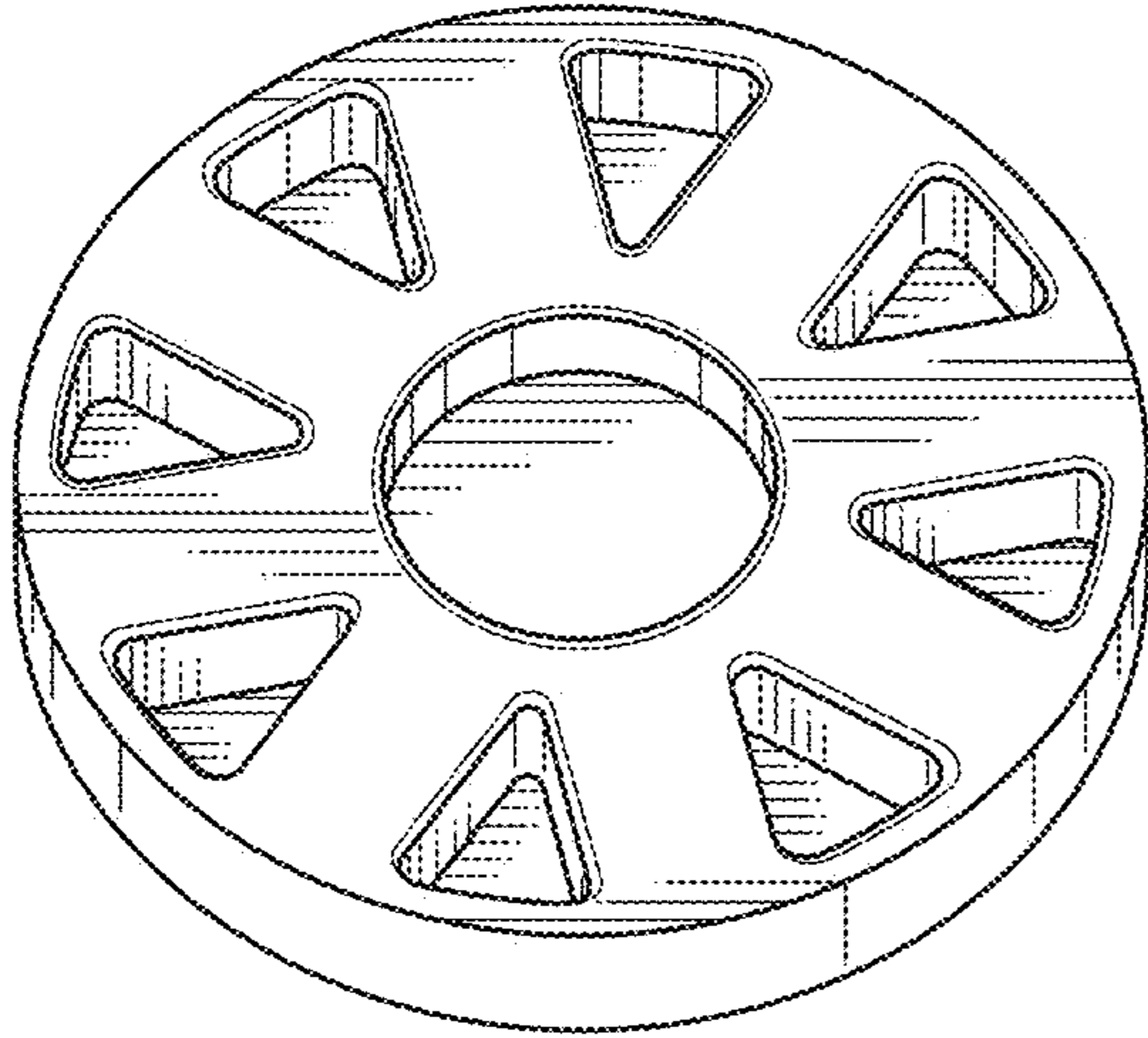


**FIG. 14**

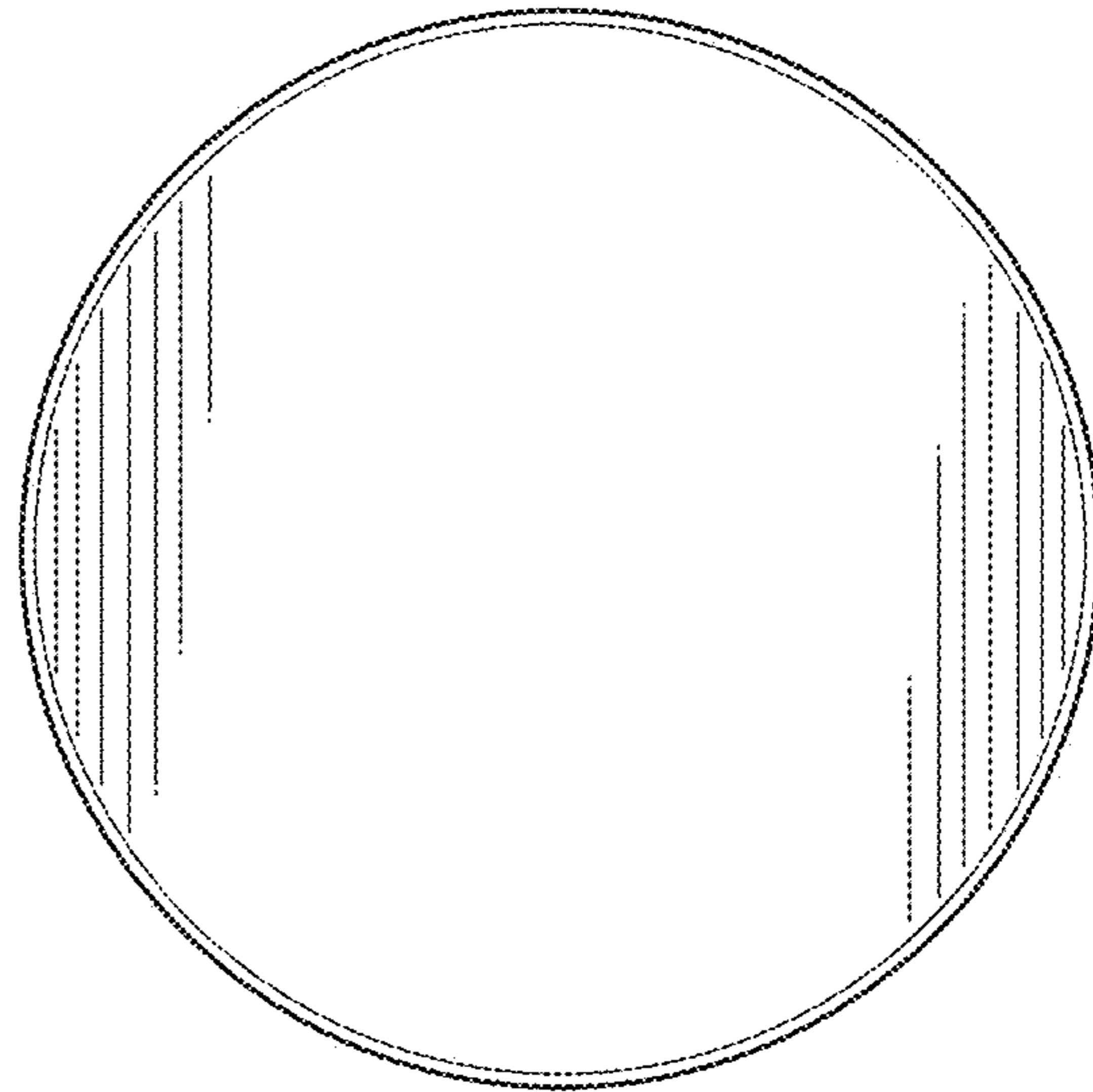




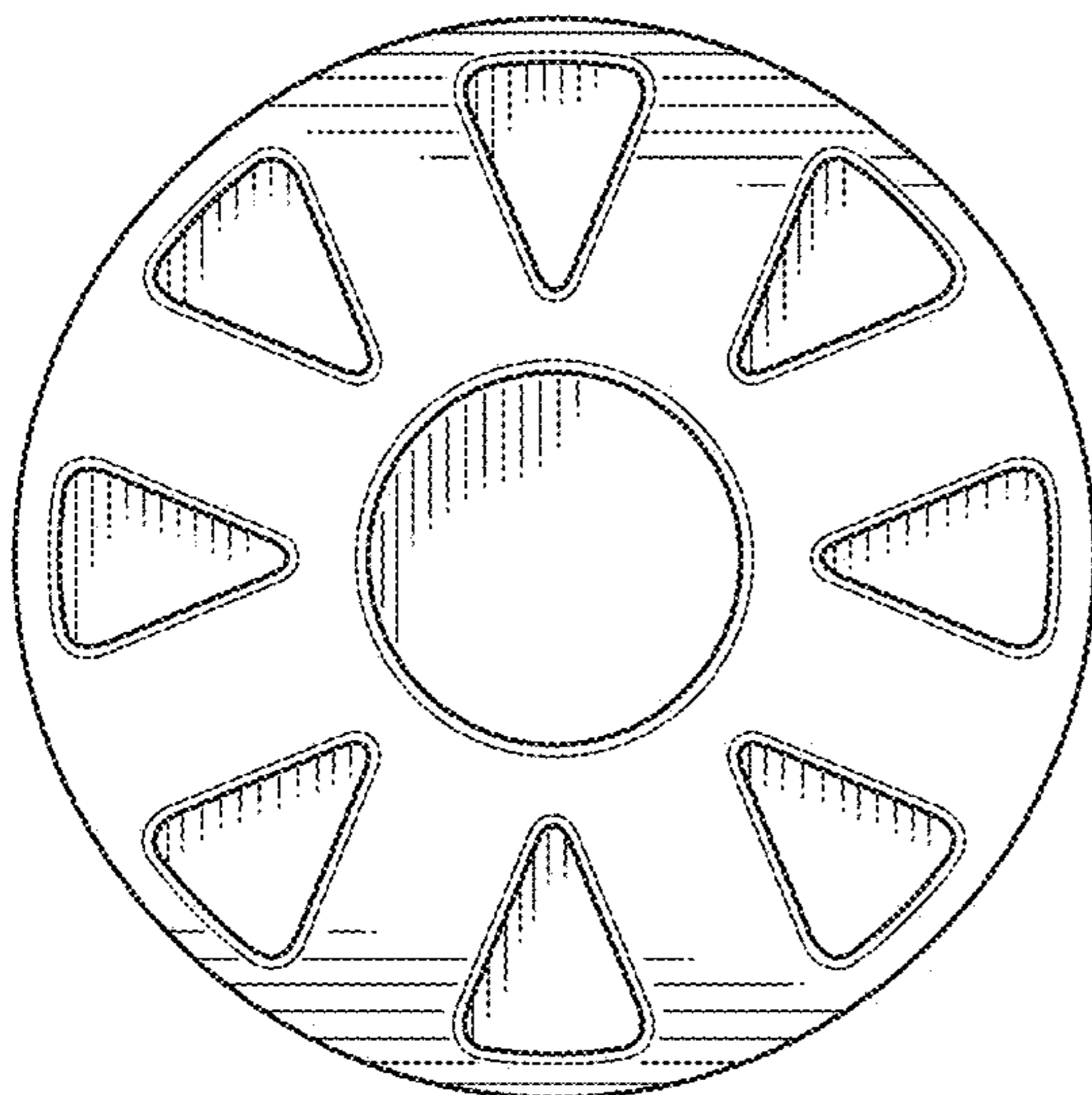
**FIG. 16**



**FIG. 17**



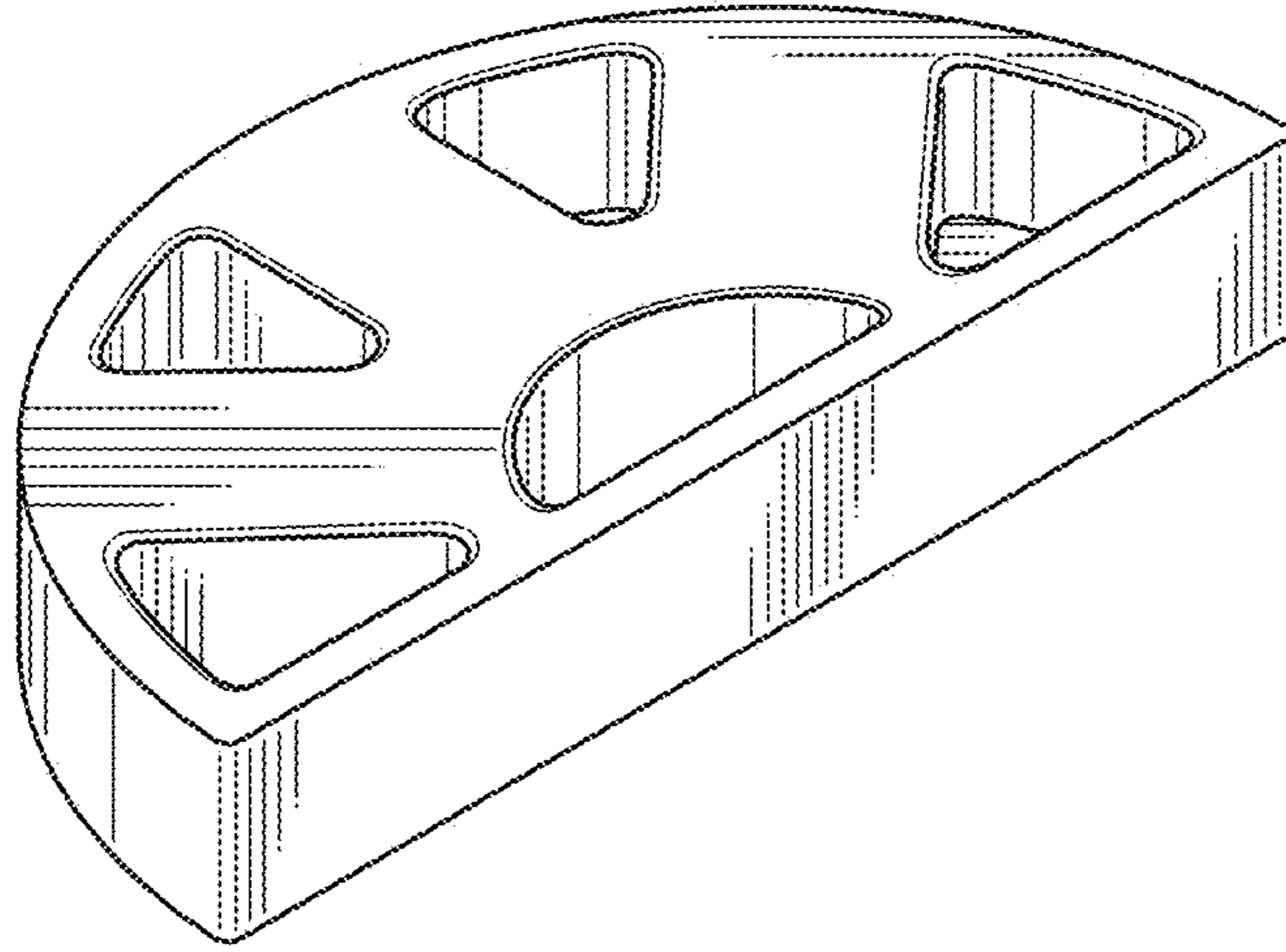
**FIG. 18**



**FIG. 19**



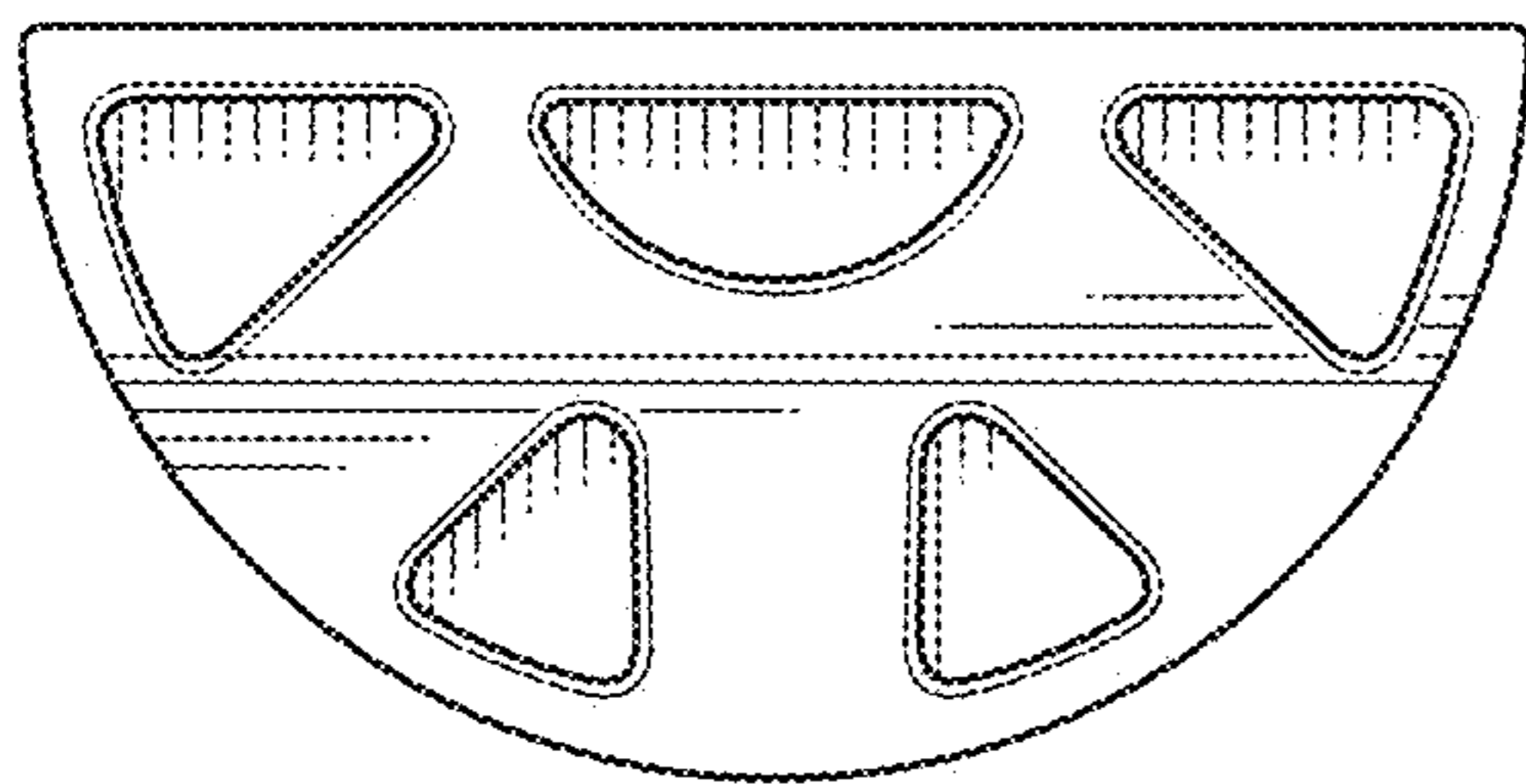
**FIG. 20**



**FIG. 21**



**FIG. 22**



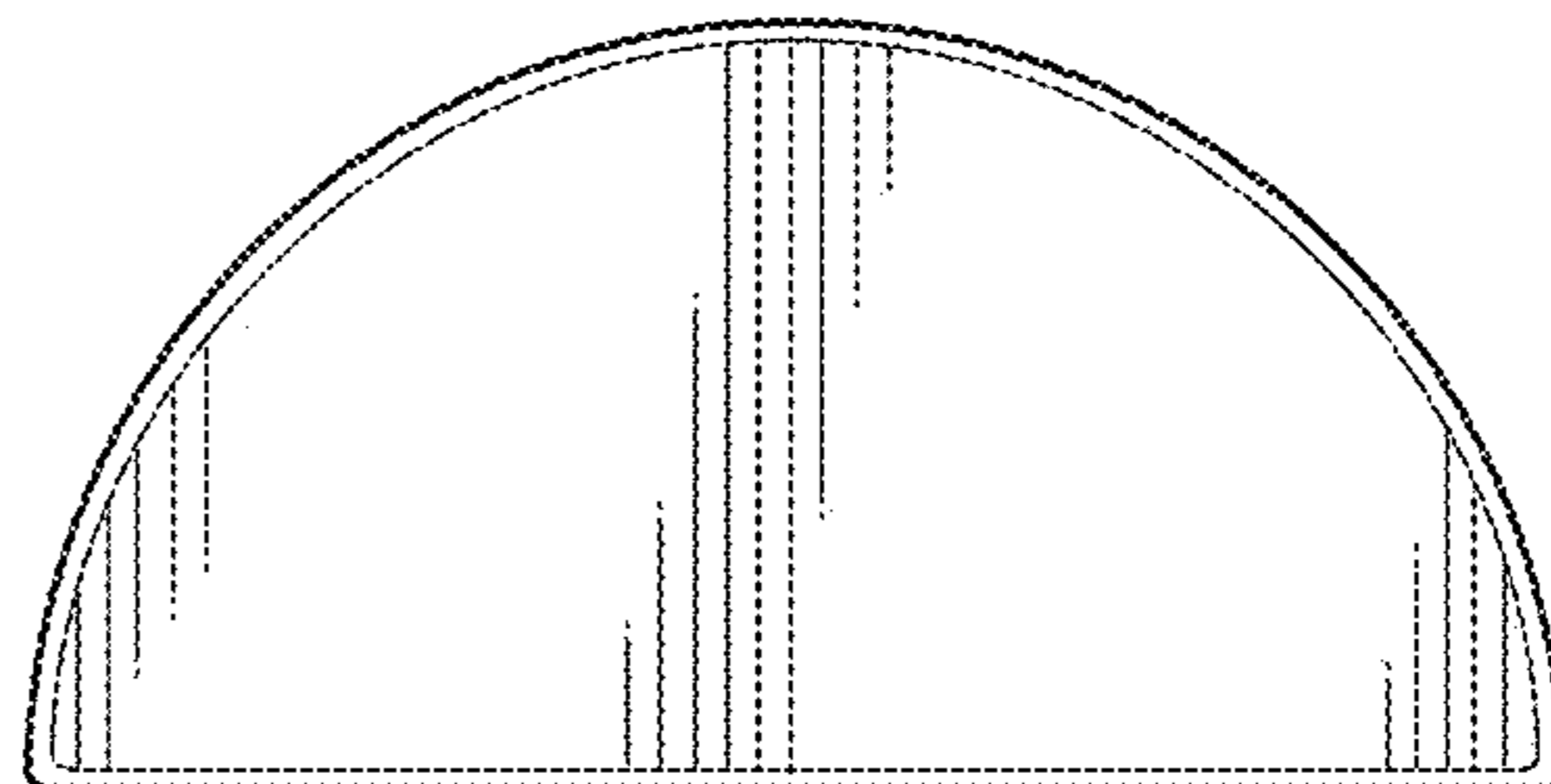
**FIG. 23**



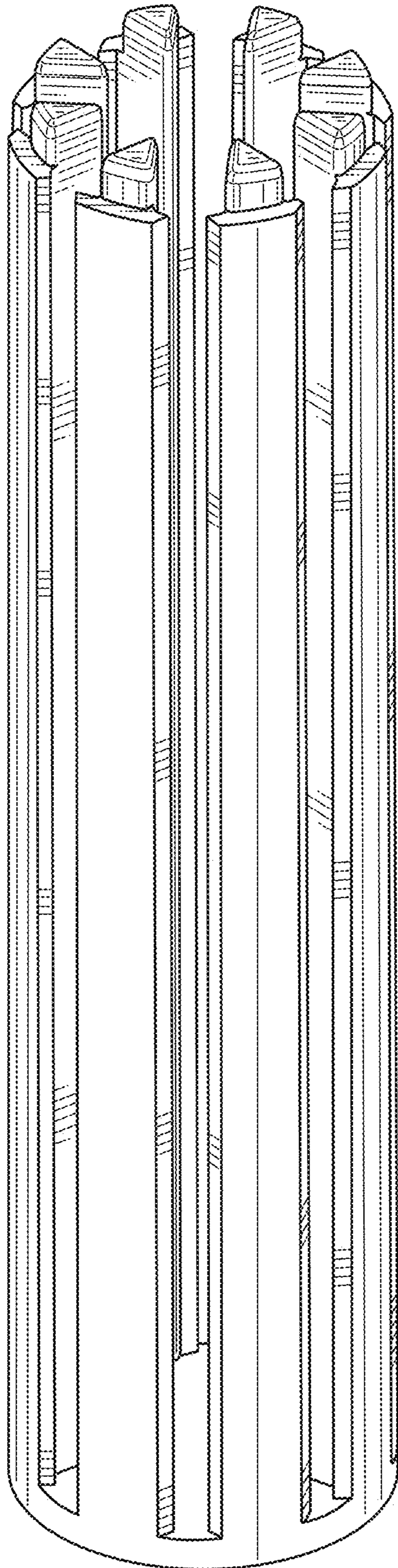
**FIG. 24**



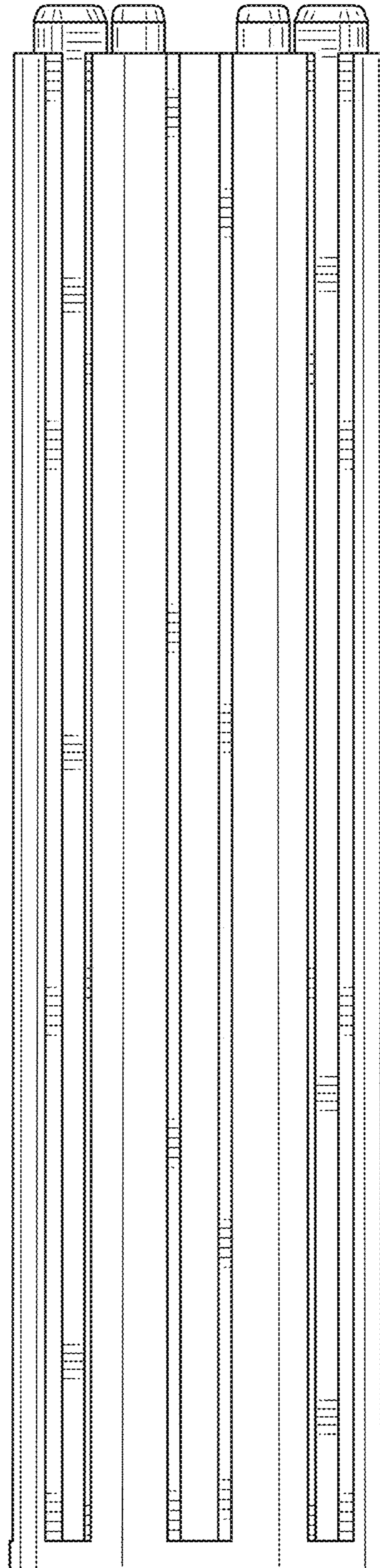
**FIG. 25**



**FIG. 26**

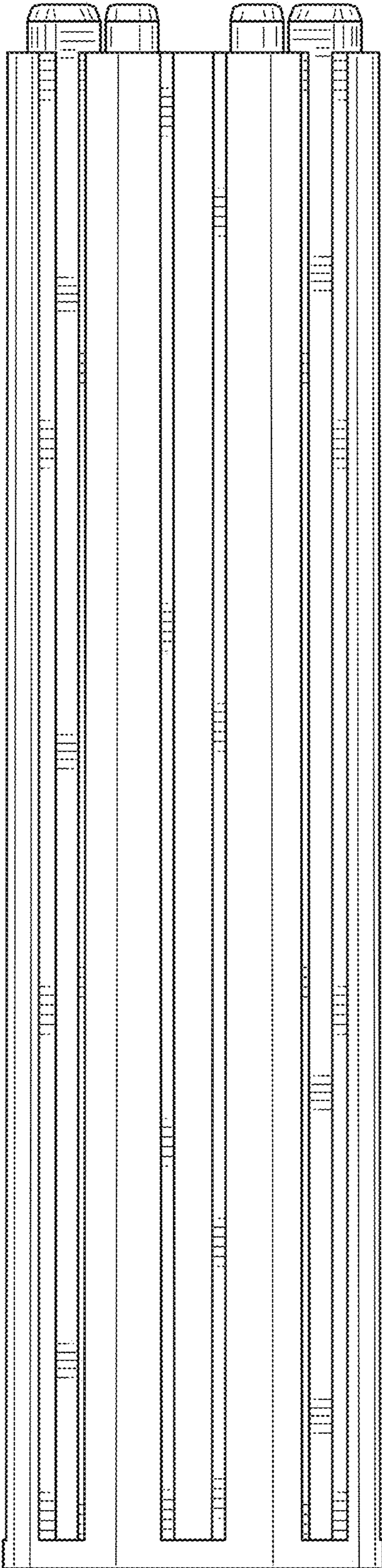


**FIG. 27**

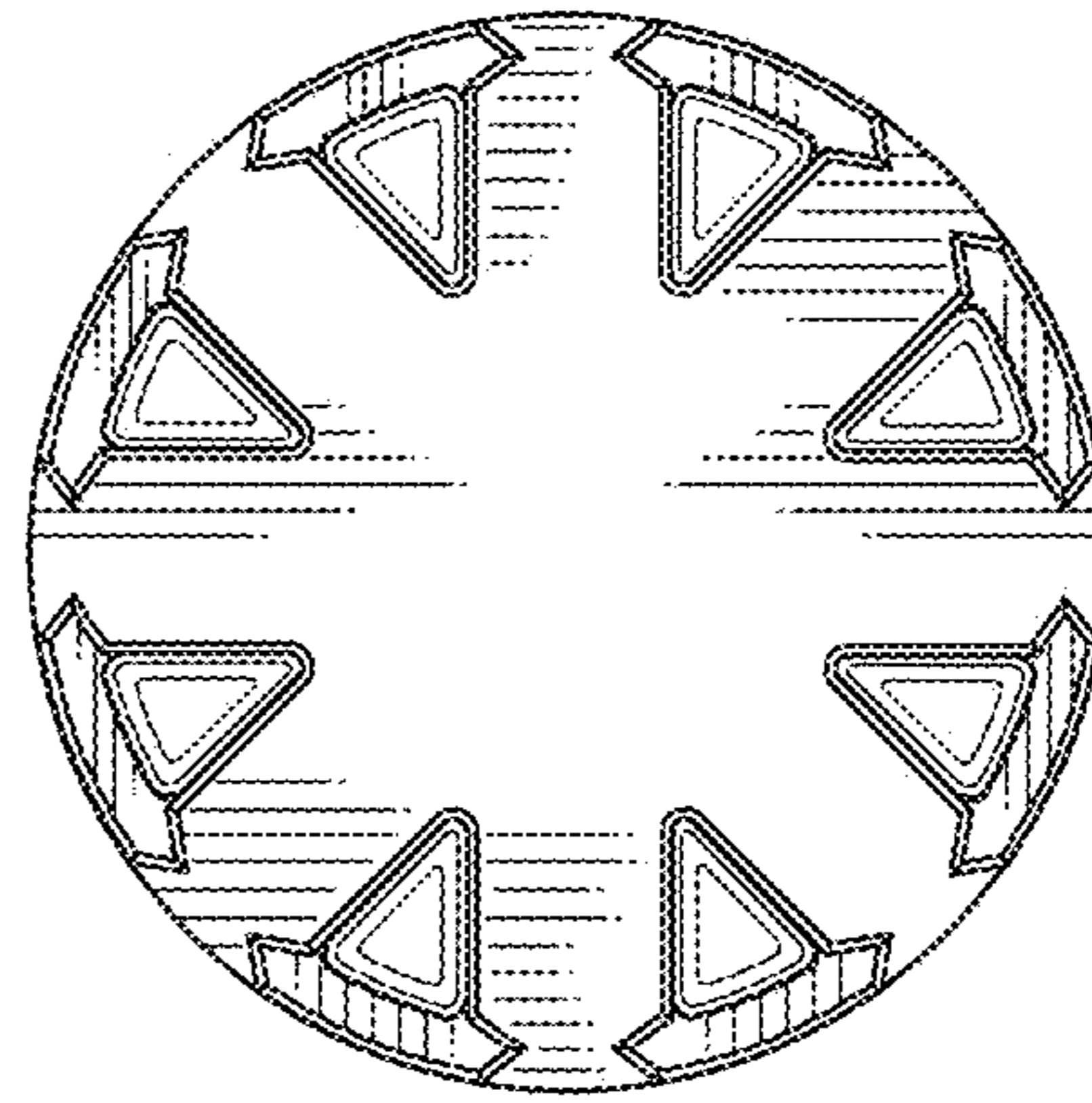




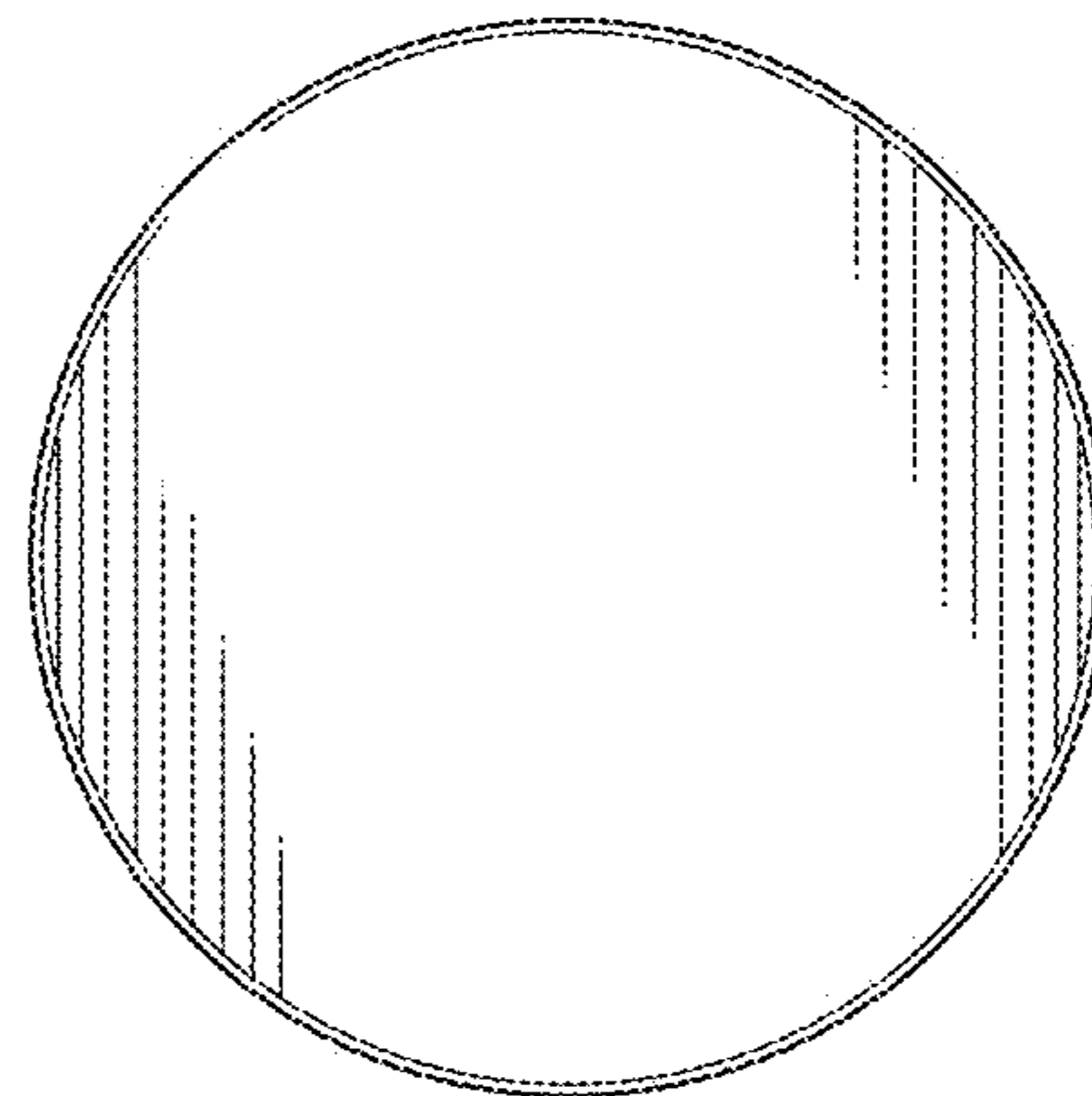
**FIG. 28**



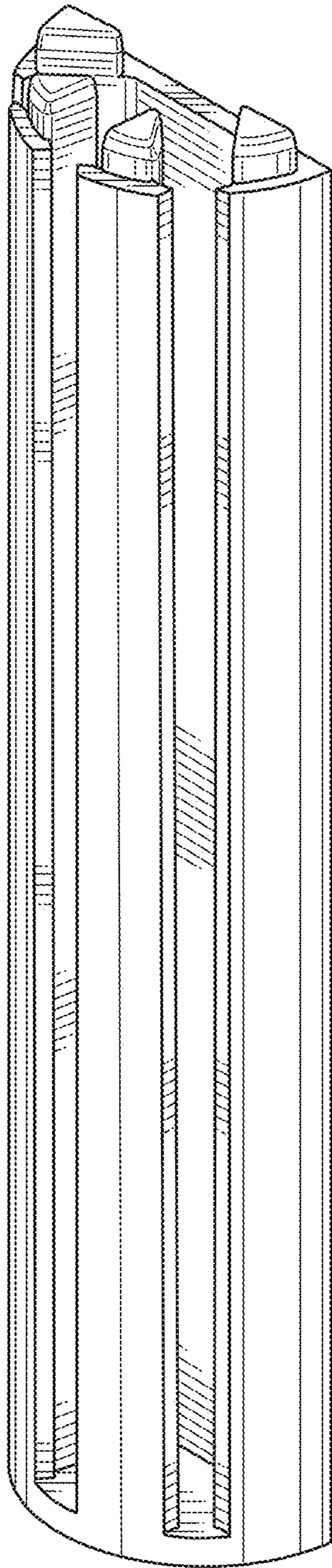
**FIG. 29**



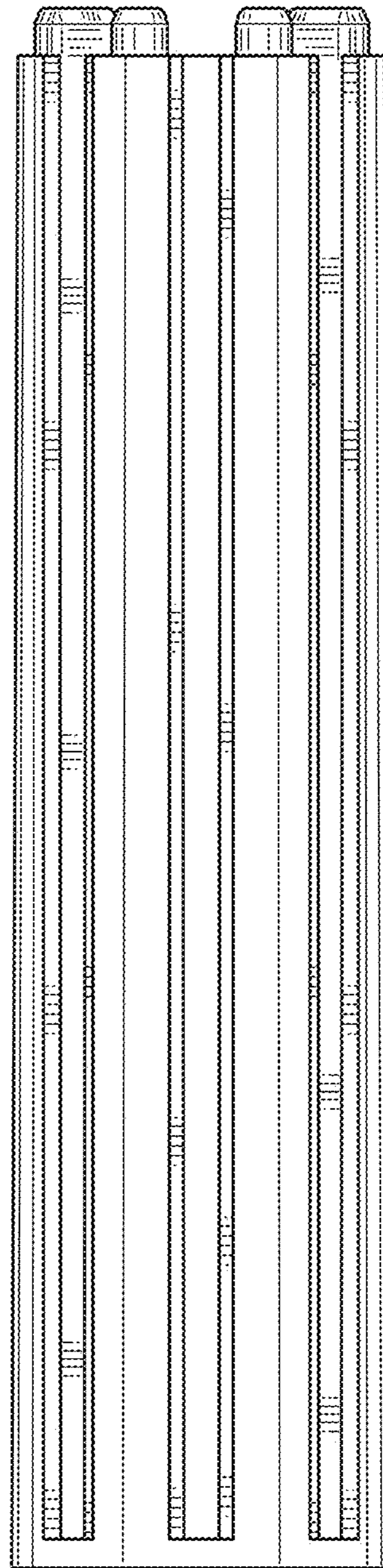
**FIG. 30**



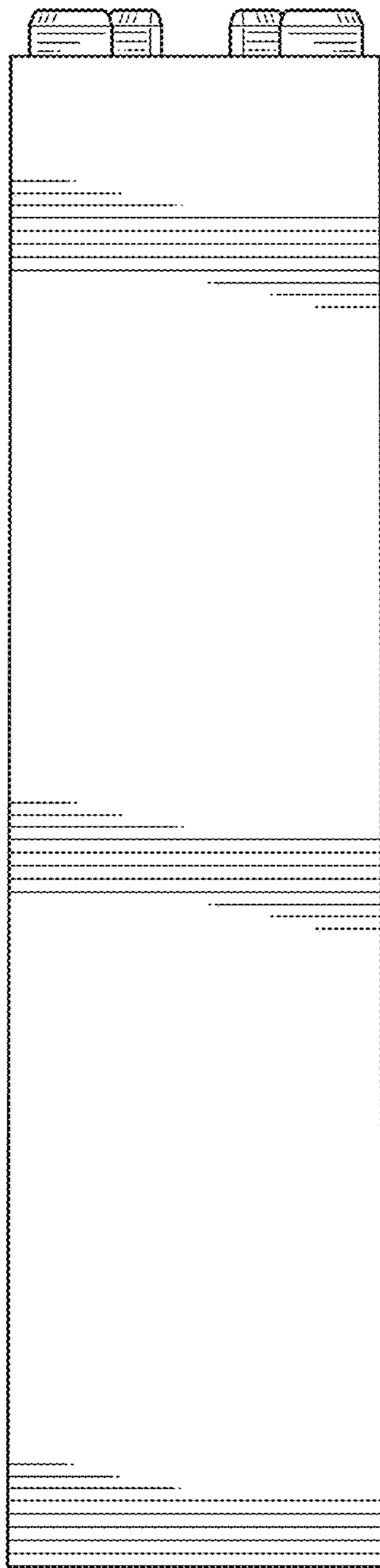
**FIG. 31**



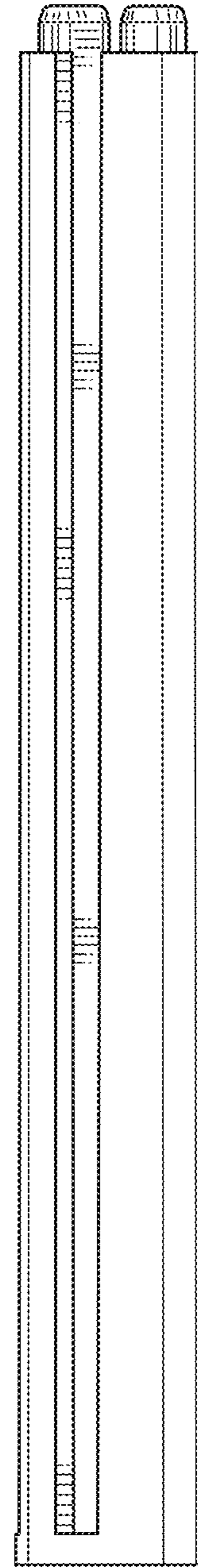
**FIG. 32**



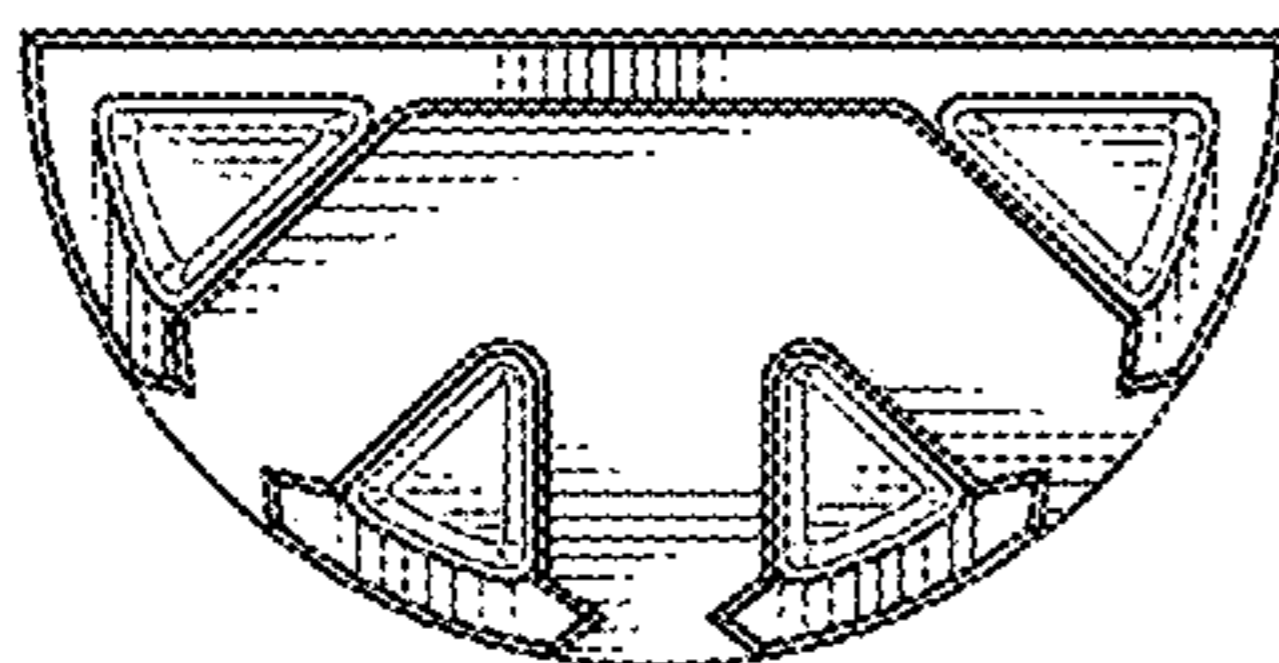
**FIG. 33**



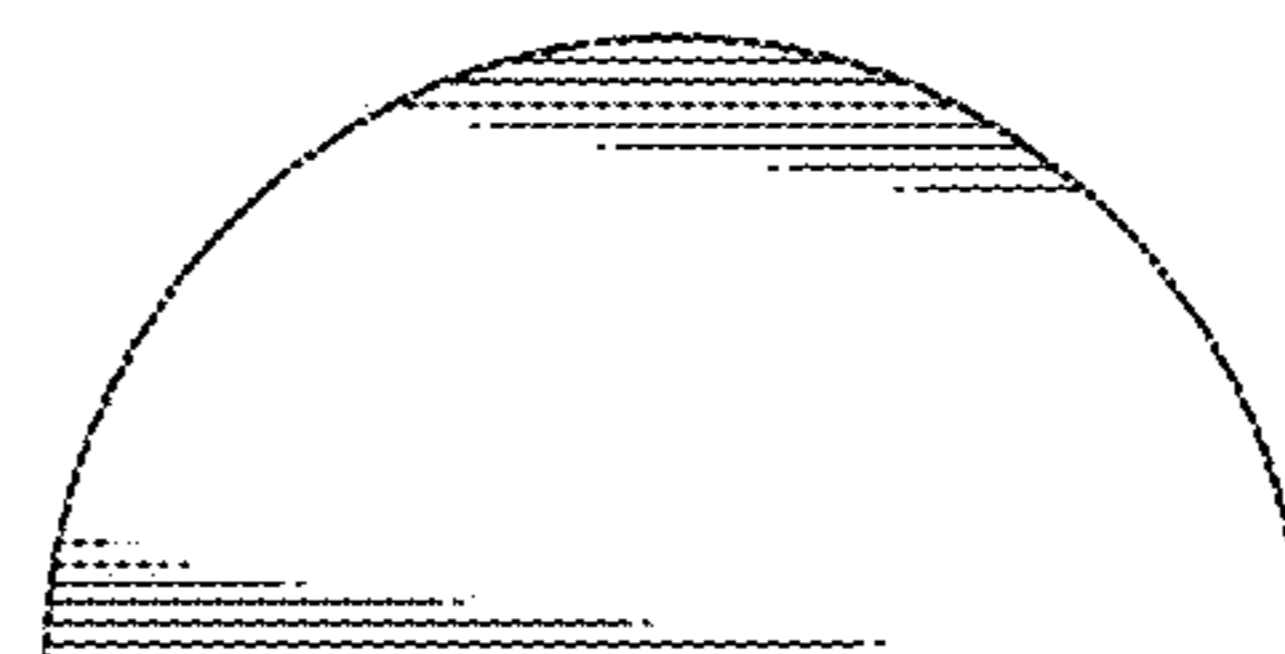
**FIG. 34**



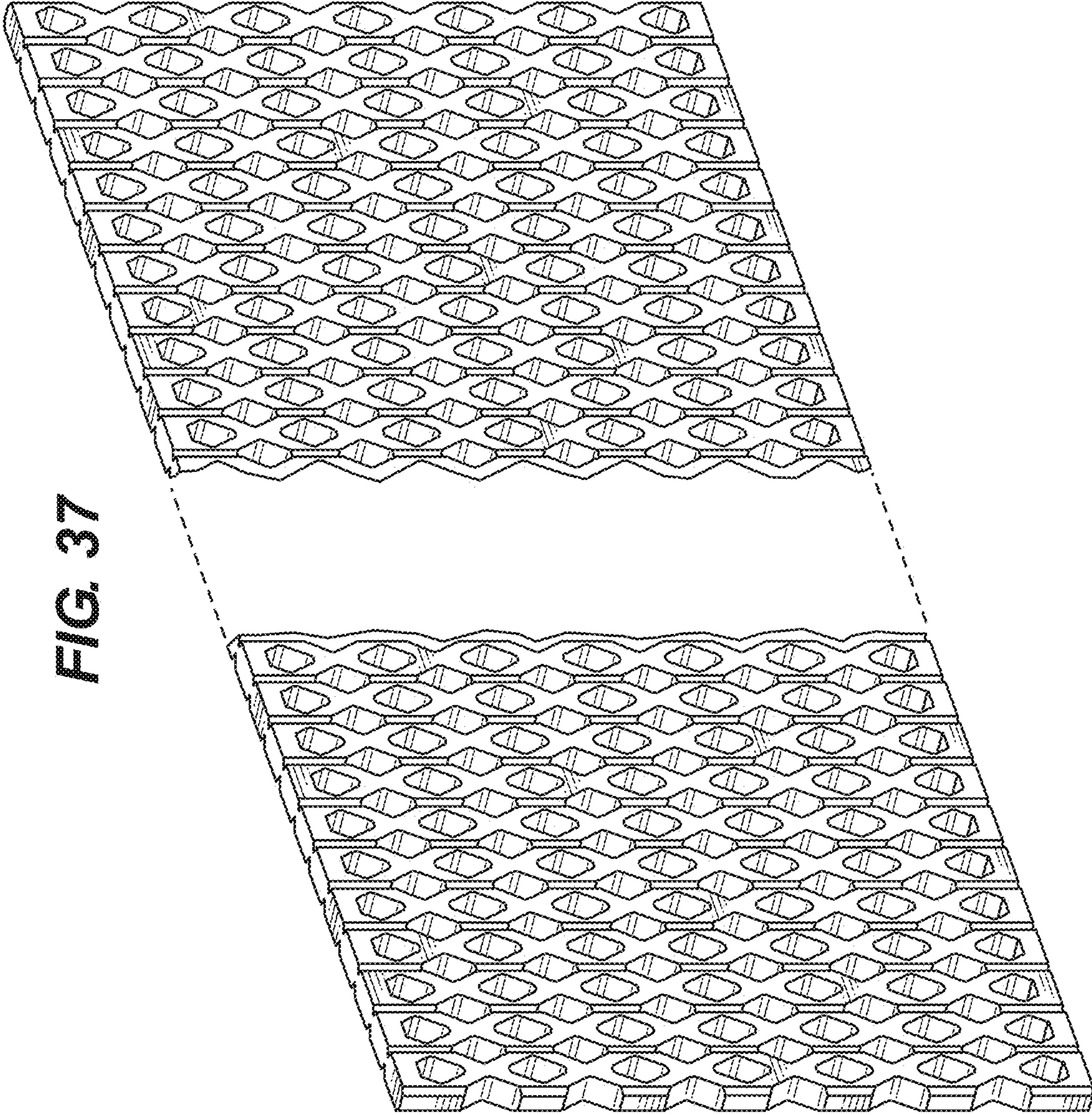
**FIG. 35**



**FIG. 36**





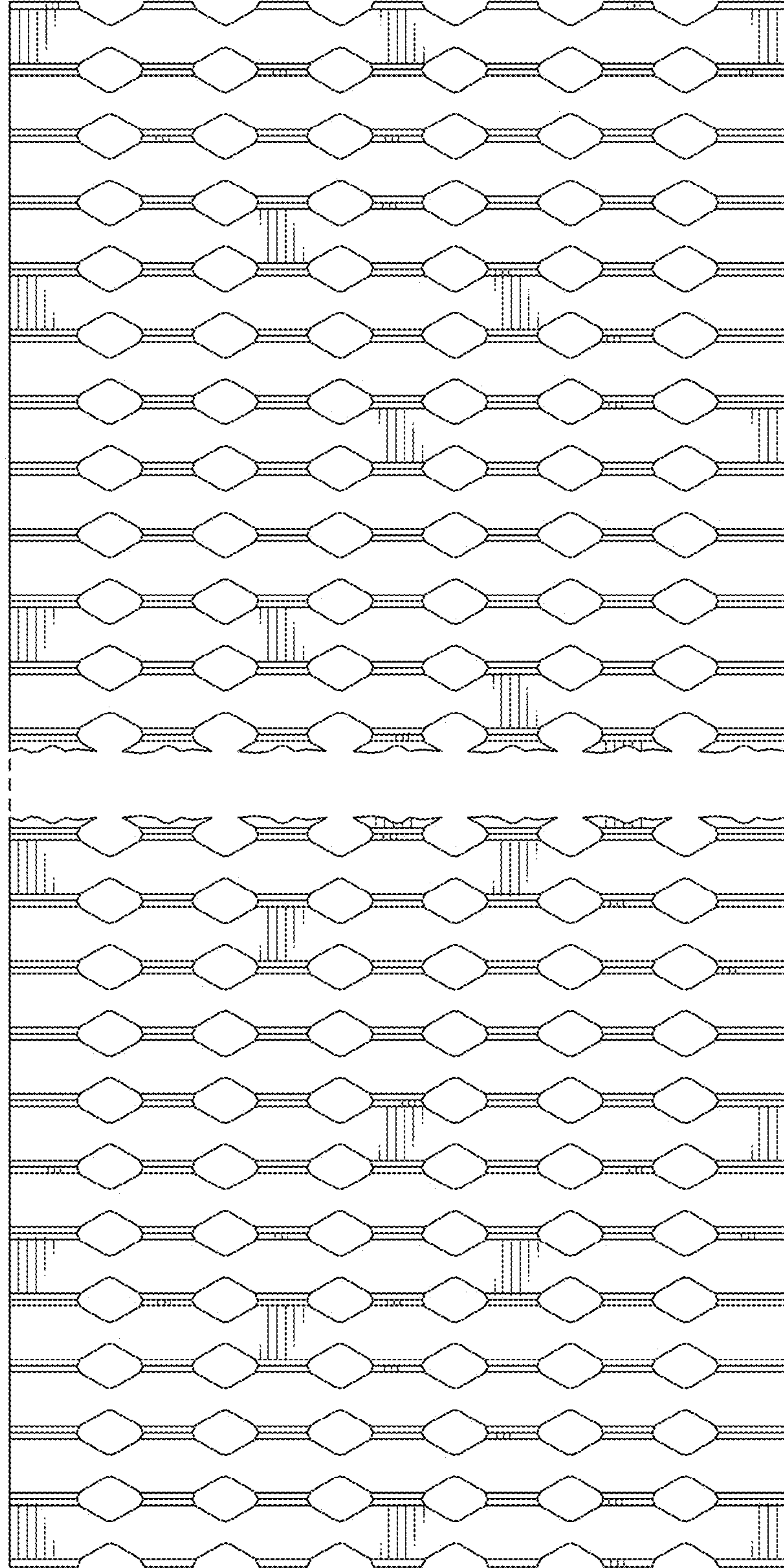


**FIG. 37**

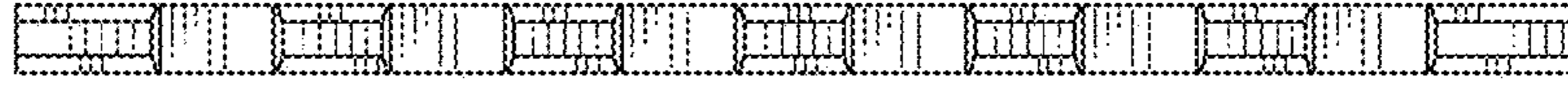
**FIG. 38**



**FIG. 39**



**FIG. 40**





**FIG. 41**

