



US00D973409S

(12) **United States Design Patent** (10) **Patent No.:** **US D973,409 S**  
**Inman et al.** (45) **Date of Patent:** **\*\* Dec. 27, 2022**

(54) **PROTECTIVE DIVIDER**

D655,540 S \* 3/2012 Zemel ..... D6/705  
D847,548 S \* 5/2019 Carzola ..... A47F 5/005  
D6/706  
2021/0353075 A1\* 11/2021 Ward ..... A47F 9/04

(71) Applicants: **William Inman**, Nashville, TN (US);  
**Jefferson Pennington**, Nashville, TN  
(US)

\* cited by examiner

(72) Inventors: **William Inman**, Nashville, TN (US);  
**Jefferson Pennington**, Nashville, TN  
(US)

*Primary Examiner* — Mary Ann Calabrese  
(74) *Attorney, Agent, or Firm* — Patterson Intellectual  
Property Law, P.C.; Ryan D. Levy; Alex H. Huffstutter

(\*\*) Term: **15 Years**

(57) **CLAIM**

(21) Appl. No.: **29/736,867**

What is claimed is the ornamental design for a protective divider, as shown and described.

(22) Filed: **Jun. 3, 2020**

**DESCRIPTION**

(51) **LOC (13) Cl.** ..... **06-06**

(52) **U.S. Cl.**  
USPC ..... **D6/699.4**

(58) **Field of Classification Search**  
USPC ..... D6/329, 643, 643.1, 644, 702, 705,  
D6/705.5, 706, 713, 714, 699, 699.4  
CPC ..... A47B 2200/12  
See application file for complete search history.

FIG. 1 is a front top perspective view showing the protective divider showing Applicants' new design.

FIG. 2 is a rear bottom perspective view of the protective divider of FIG. 1.

FIG. 3 is a front elevation view of the protective of FIG. 1, the rear elevation view being a mirror image thereto.

FIG. 4 is left side elevation view of the protective divider of FIG. 1.

FIG. 5 is right side elevation view of the protective divider of FIG. 1.

FIG. 6 is a top plan view of the protective divider of FIG. 1.

FIG. 7 is a bottom plan view of the protective divider of FIG. 1; and,

FIG. 8 is a front top perspective view showing the protective divider in conjunction with a counter such as a bar surface. The broken lines in the figures are used to represent subject matter that forms no part of the claimed design.

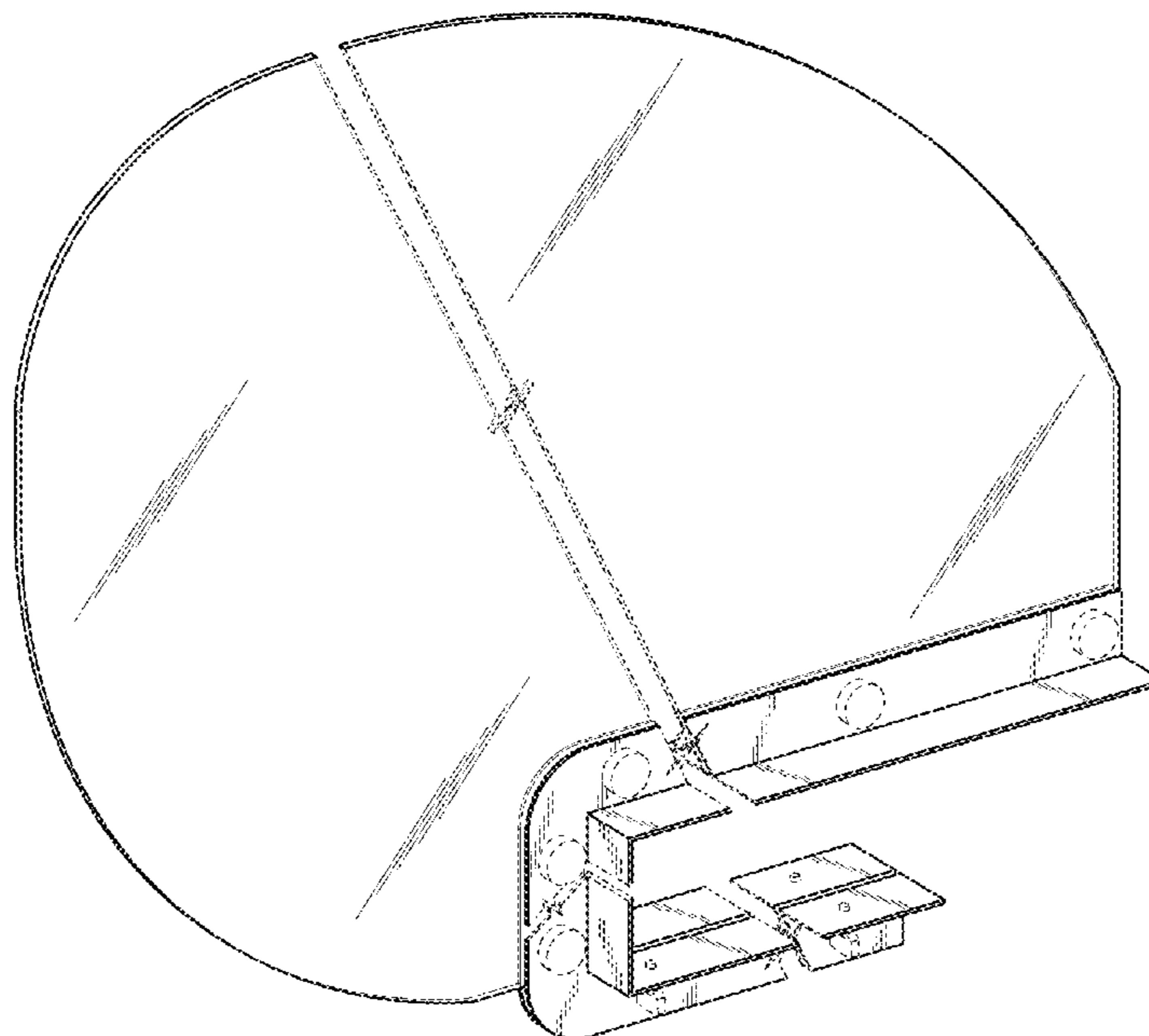
Where the figures show the article broken away, the break lines are understood to indicate unclaimed length, and any portion of the article between the break lines forms no part of the claimed design.

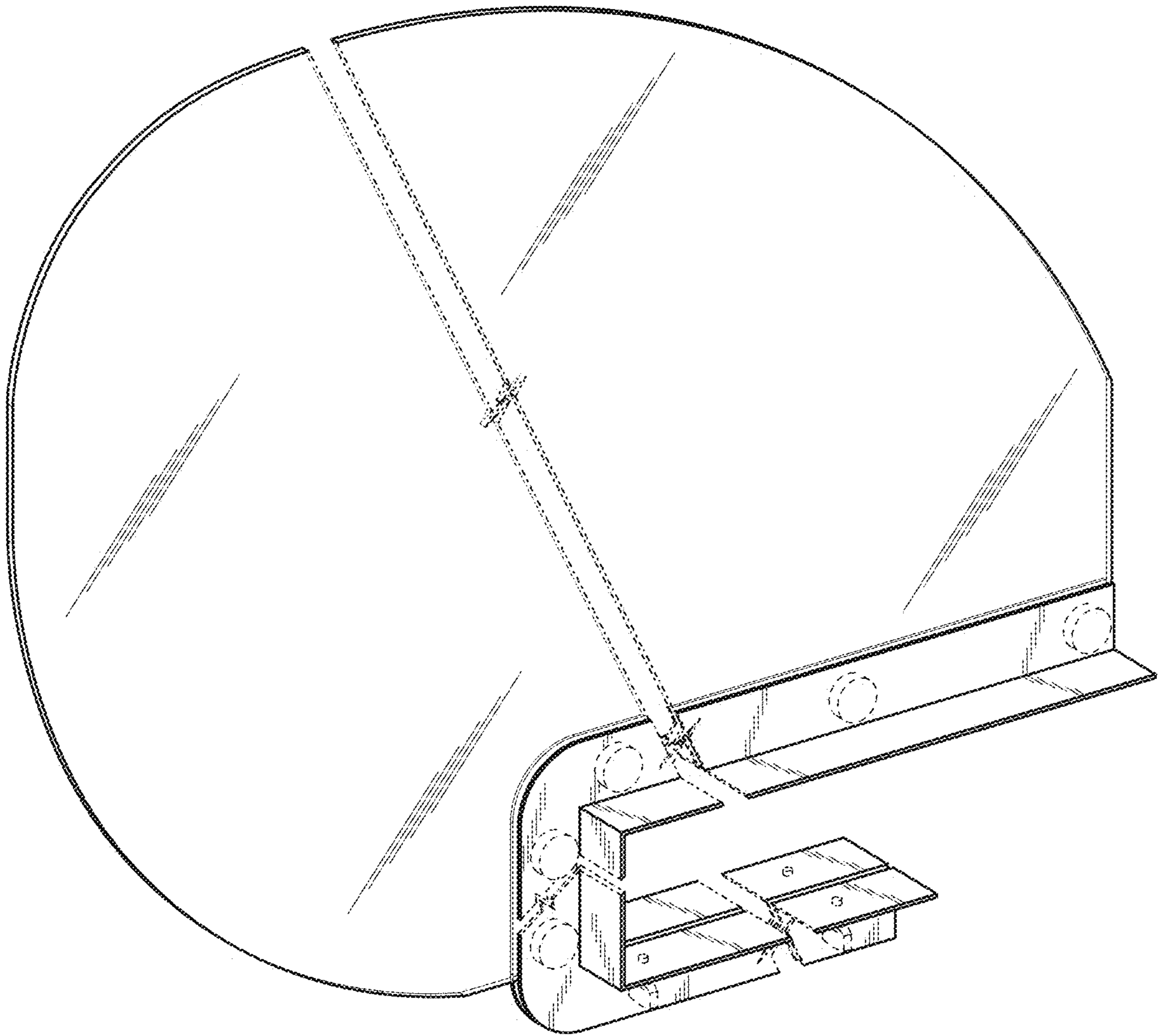
(56) **References Cited**

U.S. PATENT DOCUMENTS

1,322,791 A \* 11/1919 Hormes ..... B65D 1/36  
211/184  
2,538,908 A \* 1/1951 McKeehan ..... A47F 5/005  
211/11  
3,117,533 A \* 1/1964 Martland ..... A47B 41/00  
434/432  
D407,011 S \* 3/1999 Boije ..... D6/706  
6,364,132 B1 \* 4/2002 Feng ..... A47B 57/585  
211/184  
D511,060 S \* 11/2005 Linden ..... A47B 57/585  
D6/706  
D569,141 S \* 5/2008 Tobias ..... D6/706  
D613,979 S \* 4/2010 Moore ..... D6/707.22

**1 Claim, 6 Drawing Sheets**





*FIG. 1*

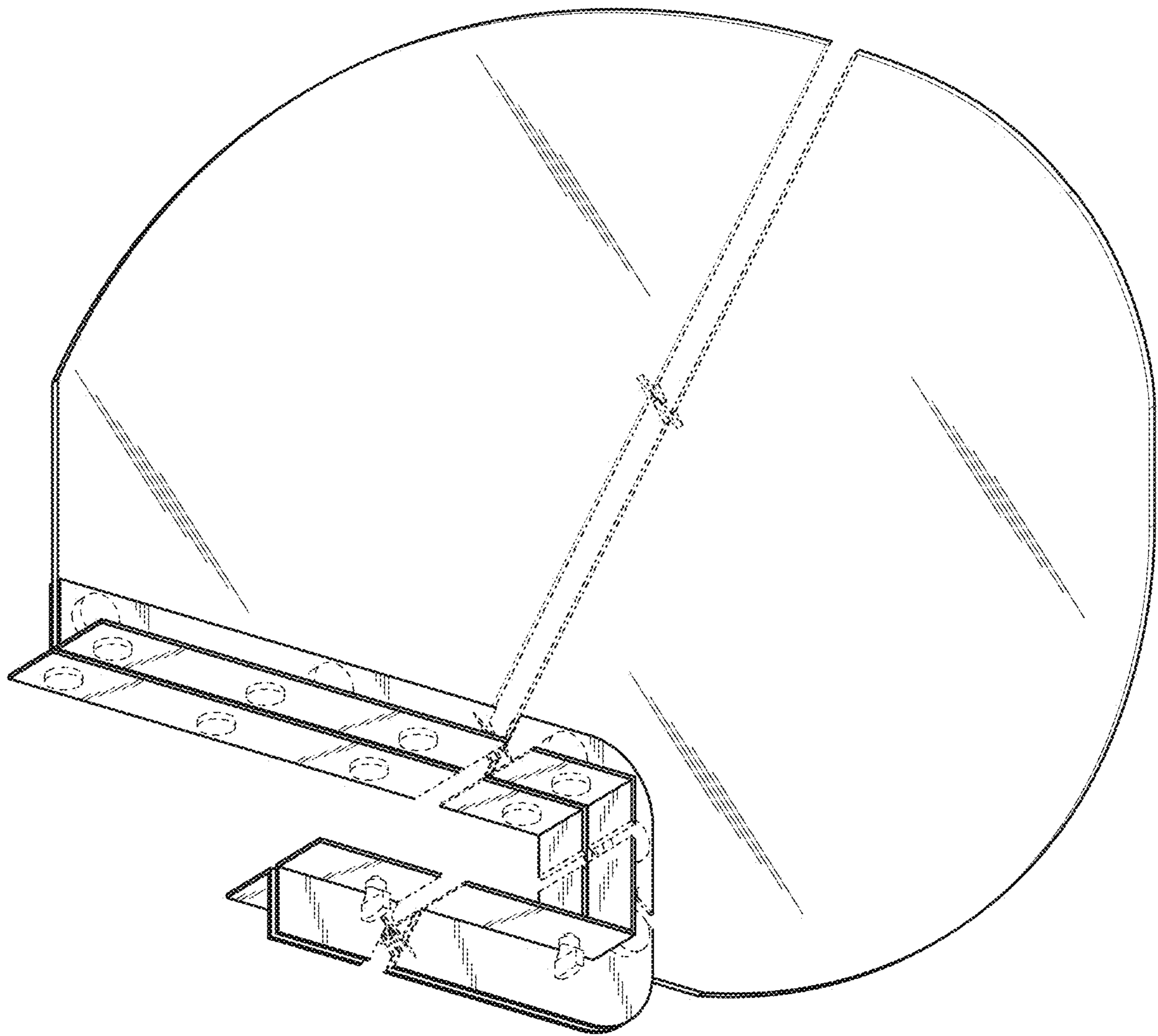
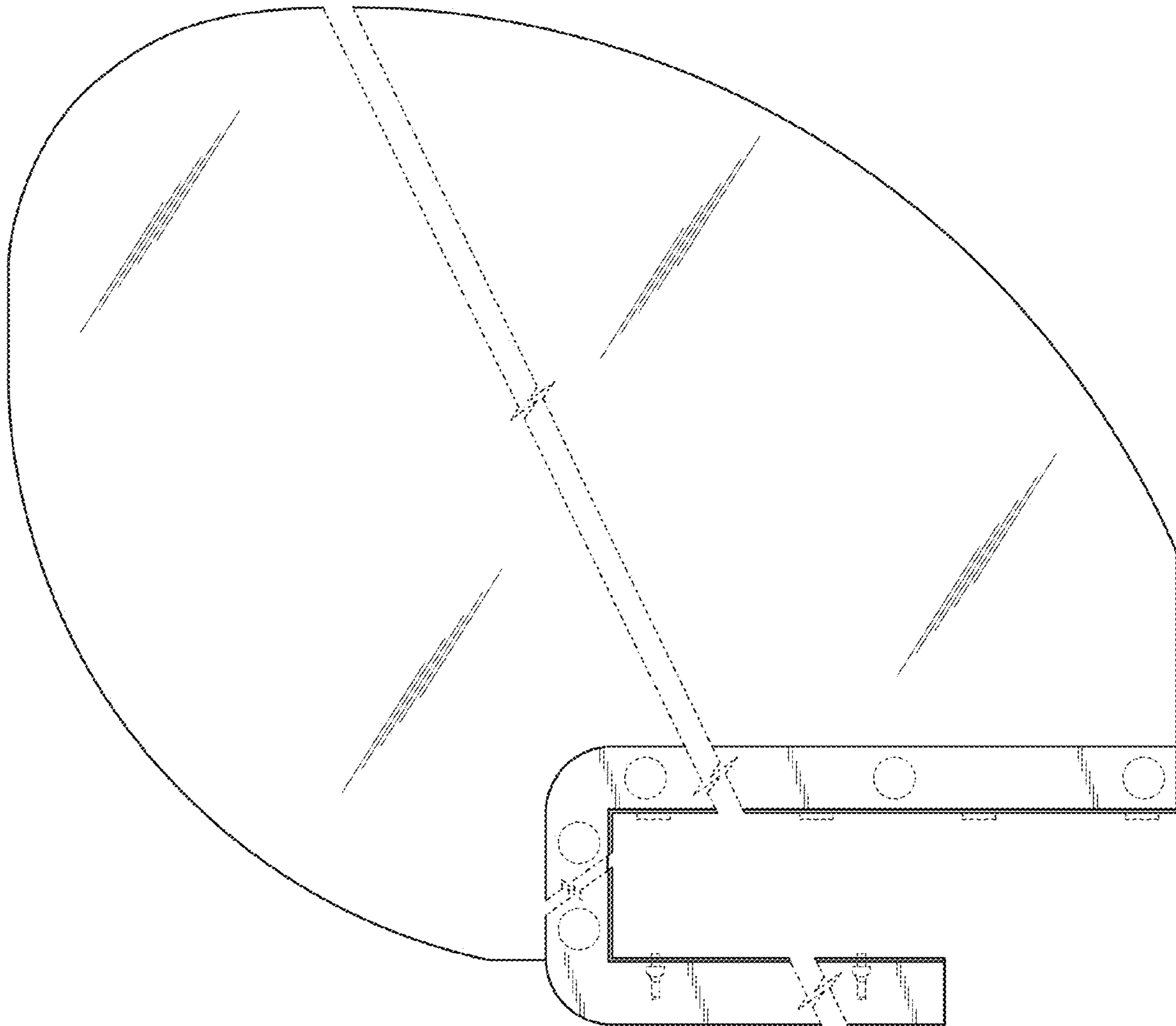
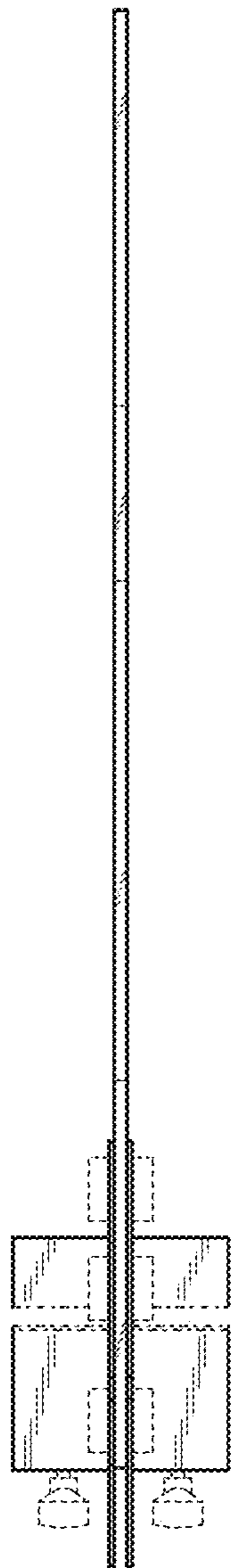


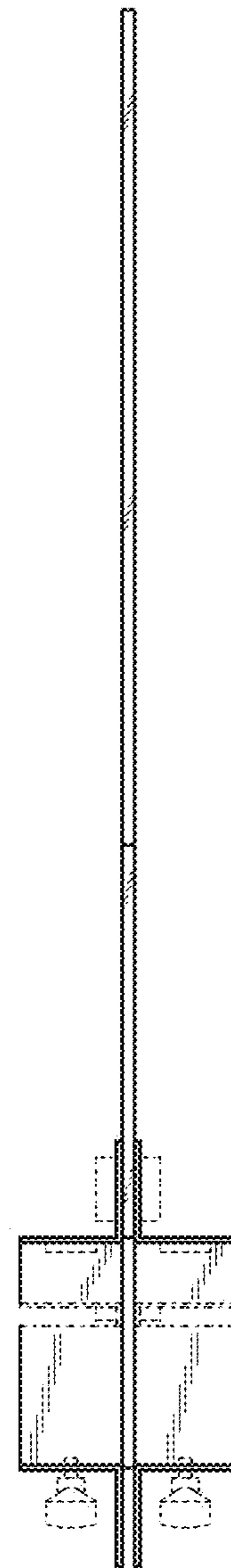
FIG. 2



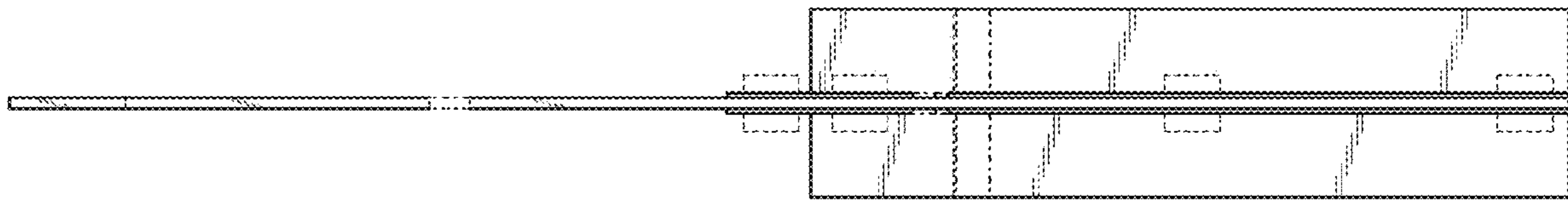
*FIG. 3*



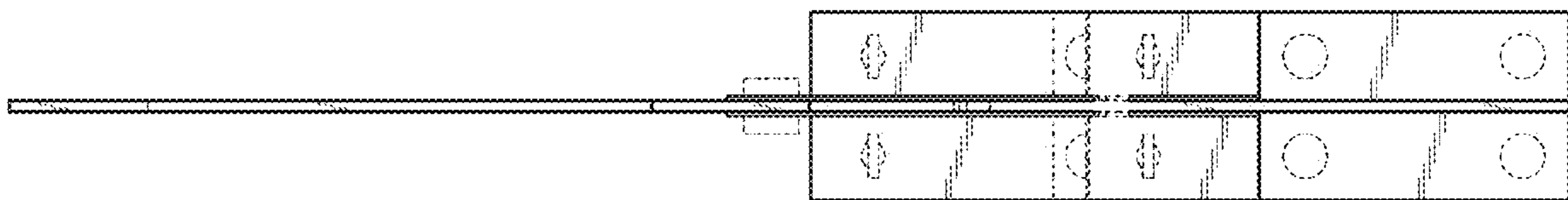
*FIG. 4*



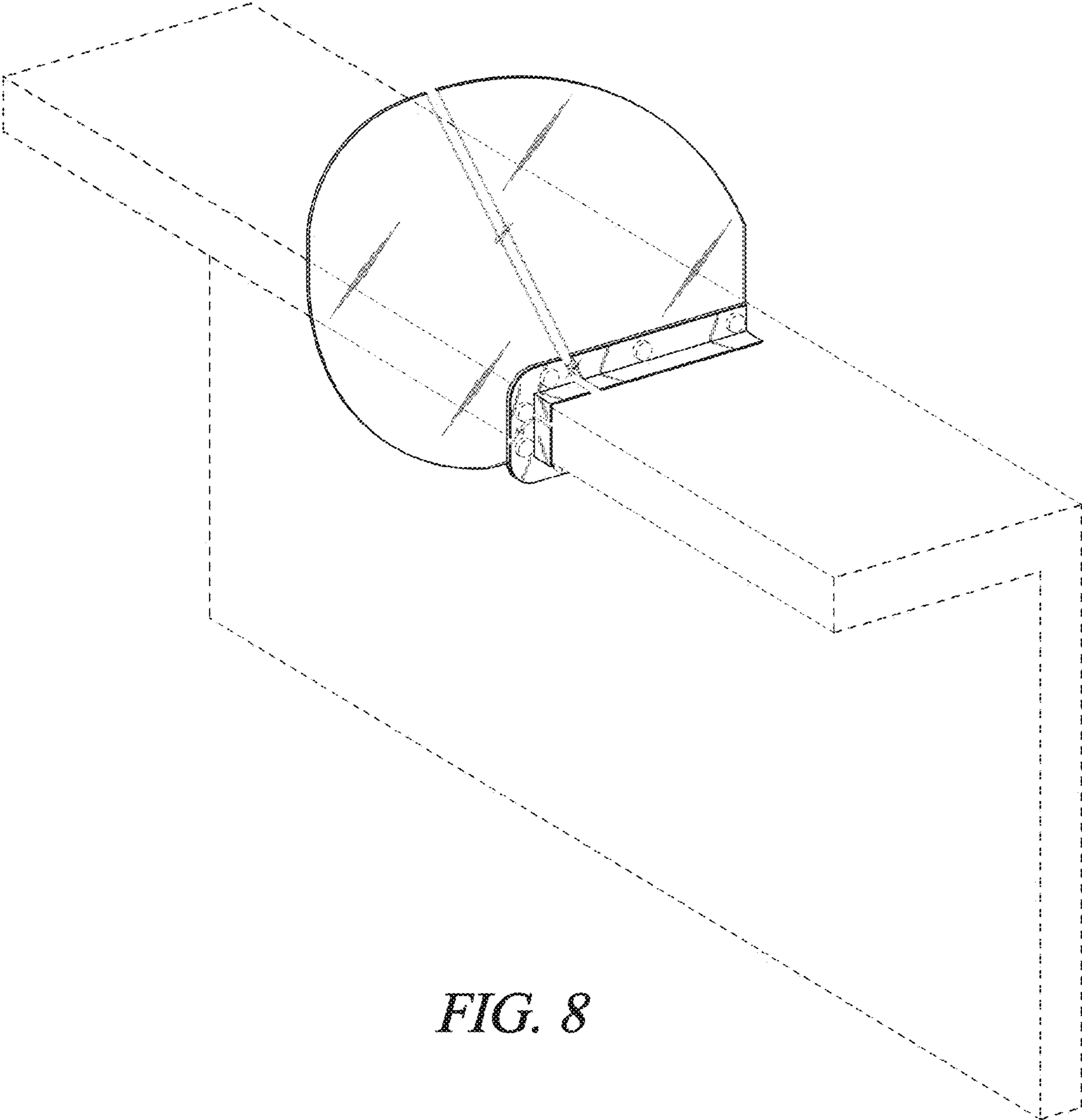
*FIG. 5*



*FIG. 6*



*FIG. 7*



*FIG. 8*