



US00D973404S

(12) **United States Design Patent** (10) **Patent No.:** **US D973,404 S**  
**Akana et al.** (45) **Date of Patent:** **\*\* Dec. 27, 2022**

(54) **DISPLAY STAND COMPONENT WITH WEARABLE DEVICE**

(71) Applicant: **Apple Inc.**, Cupertino, CA (US)

(72) Inventors: **Jody Akana**, San Francisco, CA (US); **Molly Anderson**, San Francisco, CA (US); **Bartley K. Andre**, Palo Alto, CA (US); **Shota Aoyagi**, San Francisco, CA (US); **Anthony Michael Ashcroft**, San Francisco, CA (US); **Marine C. Bataille**, San Francisco, CA (US); **Jeremy Bataillou**, San Francisco, CA (US); **Daniele De Iuliis**, San Francisco, CA (US); **Markus Diebel**, San Francisco, CA (US); **M. Evans Hankey**, San Francisco, CA (US); **Julian Hoenig**, San Francisco, CA (US); **Richard P. Howarth**, San Francisco, CA (US); **Jonathan P. Ive**, San Francisco, CA (US); **Julian Jaede**, San Francisco, CA (US); **Duncan Robert Kerr**, San Francisco, CA (US); **Peter Russell-Clarke**, San Francisco, CA (US); **Benjamin Andrew Shaffer**, San Jose, CA (US); **Mikael Silvanto**, San Francisco, CA (US); **Christopher J. Stringer**, Woodside, CA (US); **Sung-Ho Tan**, San Francisco, CA (US); **Clement Tissandier**, San Francisco, CA (US); **Eugene Antony Whang**, San Francisco, CA (US); **Rico Zörkendörfer**, San Francisco, CA (US)

(73) Assignee: **Apple Inc.**, Cupertino, CA (US)

(\*\*) Term: **15 Years**

(21) Appl. No.: **29/680,991**

(22) Filed: **Feb. 21, 2019**

**Related U.S. Application Data**

(63) Continuation of application No. 29/635,673, filed on Feb. 1, 2018, now Pat. No. Des. 841,373, which is a (Continued)

(51) **LOC (13) Cl.** ..... **06-06**

(52) **U.S. Cl.**  
USPC ..... **D6/682**; D14/434

(58) **Field of Classification Search**  
USPC ..... D6/672, 677, 678, 681, 681.1, 682, D6/682.1, 682.3, 512; D10/38, 30-32, D10/40, 122, 128; D14/238.1, 344, 434  
(Continued)

(56) **References Cited**

U.S. PATENT DOCUMENTS

D141,791 S 7/1945 Siegel  
D244,857 S 6/1977 Hayes  
(Continued)

*Primary Examiner* — Kelley A Donnelly  
(74) *Attorney, Agent, or Firm* — Sterne, Kessler, Goldstein & Fox P.L.L.C.

(57) **CLAIM**

The ornamental design for a display stand component with wearable device, as shown and described.

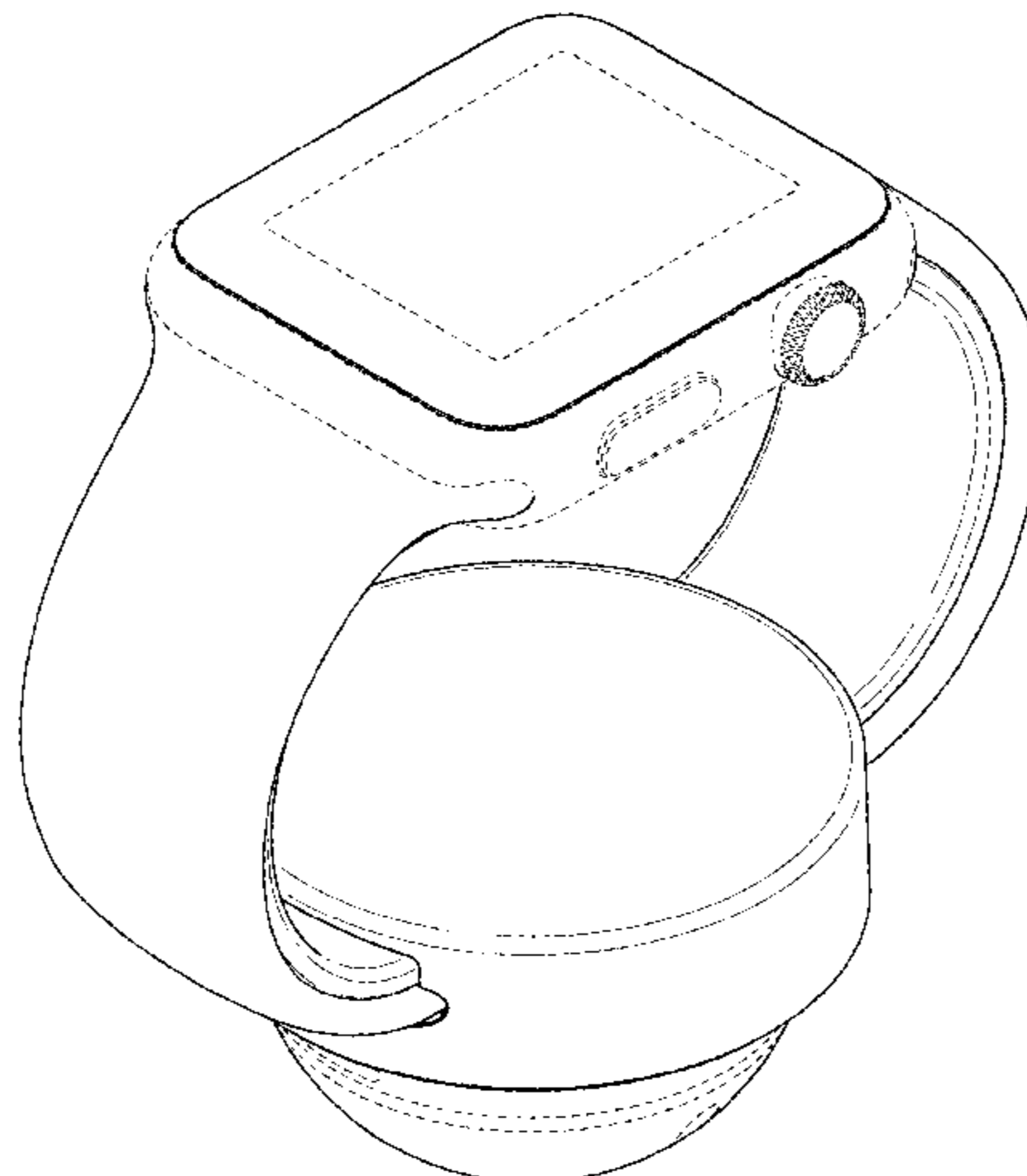
**DESCRIPTION**

FIG. 1 is a top front perspective view of a display stand component with wearable device showing the claimed design;

FIG. 2 is a front view thereof;  
FIG. 3 is a rear view thereof;  
FIG. 4 is a left side view thereof;  
FIG. 5 is a right side view thereof;  
FIG. 6 is a top view thereof; and,  
FIG. 7 is a bottom view thereof.

The broken lines in the figures show portions of the display stand and display stand component with wearable device that form no part of the claimed design.

**1 Claim, 7 Drawing Sheets**



**Related U.S. Application Data**

continuation of application No. 29/571,404, filed on Jul. 18, 2016, now Pat. No. Des. 810,478.

(58) **Field of Classification Search**

CPC ..... A47F 5/00; A47F 5/0884; A47F 7/022; G04B 19/01; G04B 19/22; G04B 37/00; G04B 37/0008; G04B 37/14; G04F 7/08; G04F 7/0842; G04F 7/0871; G04G 17/02; G04G 17/045

See application file for complete search history.

(56) **References Cited**

U.S. PATENT DOCUMENTS

4,082,183 A \* 4/1978 Sturm ..... A45C 11/10  
206/301

D268,743 S 4/1983 Lubin  
D284,084 S 6/1986 Ferrara, Jr.  
4,707,146 A 11/1987 Wein  
D295,748 S 5/1988 Day et al.  
4,862,151 A 8/1989 Grauz et al.  
D318,961 S 8/1991 Edelson  
D319,434 S 8/1991 Lund  
5,136,557 A 8/1992 Plawker et al.  
D337,322 S 7/1993 Yang  
D338,685 S 8/1993 Dakich  
D339,537 S 9/1993 Willnauer et al.  
5,280,229 A 1/1994 Faude et al.  
D343,745 S 2/1994 Wenger  
D379,758 S \* 6/1997 Chu Lee ..... D9/422  
D392,474 S 3/1998 Frasketi  
D392,958 S 3/1998 Gaete  
D407,408 S 3/1999 Hoff  
D409,416 S \* 5/1999 Au ..... D6/682  
D414,166 S 9/1999 De Paris  
D442,939 S 5/2001 Goldenburg  
D450,707 S 11/2001 Francavilla et al.  
D478,740 S 8/2003 Kirshner  
6,629,677 B2 \* 10/2003 Kirshner ..... A47F 7/022  
211/85.2

D483,771 S 12/2003 Esswein  
D488,440 S 4/2004 Senda  
D495,336 S 8/2004 Andre et al.  
D502,179 S 2/2005 Cha et al.  
D502,338 S \* 3/2005 Zanghi ..... D6/672  
D527,018 S 8/2006 Christianson  
D542,279 S 5/2007 Chan  
D543,183 S 5/2007 Cho et al.  
D555,655 S 11/2007 Iu  
D583,821 S 12/2008 Richter  
D585,056 S 1/2009 Ekelund  
D587,703 S 3/2009 Yoon  
D596,618 S 7/2009 Zha  
D599,792 S 9/2009 Lin

D612,837 S 3/2010 Murray  
D618,614 S 6/2010 Symons  
D623,188 S 9/2010 Son et al.  
D626,129 S 10/2010 Lutz  
D627,777 S 11/2010 Akana et al.  
D637,596 S 5/2011 Akana et al.  
D637,601 S 5/2011 Symons  
D639,267 S 6/2011 DeLorenzo et al.  
D642,121 S 7/2011 Lee et al.  
D642,172 S 7/2011 Akana et al.  
D643,433 S 8/2011 Hsieh et al.  
D645,047 S 9/2011 Wike  
D651,606 S 1/2012 Luijben  
D661,308 S 6/2012 Capozzoli  
D662,100 S 6/2012 Van Den Nieuwenhuizen et al.  
D663,972 S 7/2012 Alexander et al.  
D670,692 S 11/2012 Akana et al.  
D673,571 S 1/2013 Akana et al.  
D673,572 S 1/2013 Akana et al.  
D673,952 S 1/2013 Toda et al.  
D687,441 S 8/2013 Janzen  
D688,671 S 8/2013 Avganim  
D690,137 S 9/2013 Kikkert et al.  
D690,138 S 9/2013 Kikkert et al.  
D692,420 S 10/2013 McManigal et al.  
D708,270 S 7/2014 Heirakuji et al.  
D728,576 S 5/2015 David et al.  
D740,060 S 10/2015 Akana et al.  
D752,907 S 4/2016 Denby et al.  
D753,942 S 4/2016 Akana et al.  
D756,152 S 5/2016 Schwalbach et al.  
D771,614 S 11/2016 Chang  
D775,874 S 1/2017 Huang  
D780,186 S \* 2/2017 Lee ..... D14/447  
D790,990 S \* 7/2017 Hopkins ..... D10/28  
D792,133 S 7/2017 Schwalbach et al.  
D798,636 S 10/2017 Van Ledingham, Jr.  
D805,929 S \* 12/2017 Akana ..... D10/70  
D810,478 S 2/2018 Akana et al.  
D815,865 S 4/2018 Gauggel  
D826,604 S 8/2018 De luliis et al.  
D841,373 S \* 2/2019 Akana ..... D6/677  
D865,727 S \* 11/2019 Wengreen ..... D14/238.1  
D872,612 S \* 1/2020 Mercurio ..... D10/38  
D885,397 S \* 5/2020 Sun ..... D14/434  
D885,945 S \* 6/2020 Cohen ..... D10/70  
D904,090 S \* 12/2020 Yang ..... D6/682.3  
D946,569 S \* 3/2022 Yang ..... D10/70  
D948,253 S \* 4/2022 Aman ..... D6/682  
D949,720 S \* 4/2022 Matsumoto ..... D10/70

2006/0250764 A1 11/2006 Howarth et al.  
2009/0156255 A1 6/2009 Shin et al.  
2011/0047844 A1 3/2011 Fawcett et al.  
2011/0084838 A1 4/2011 Fawcett  
2014/0028688 A1 1/2014 Houjou et al.  
2014/0106608 A1 4/2014 Howarth et al.

\* cited by examiner

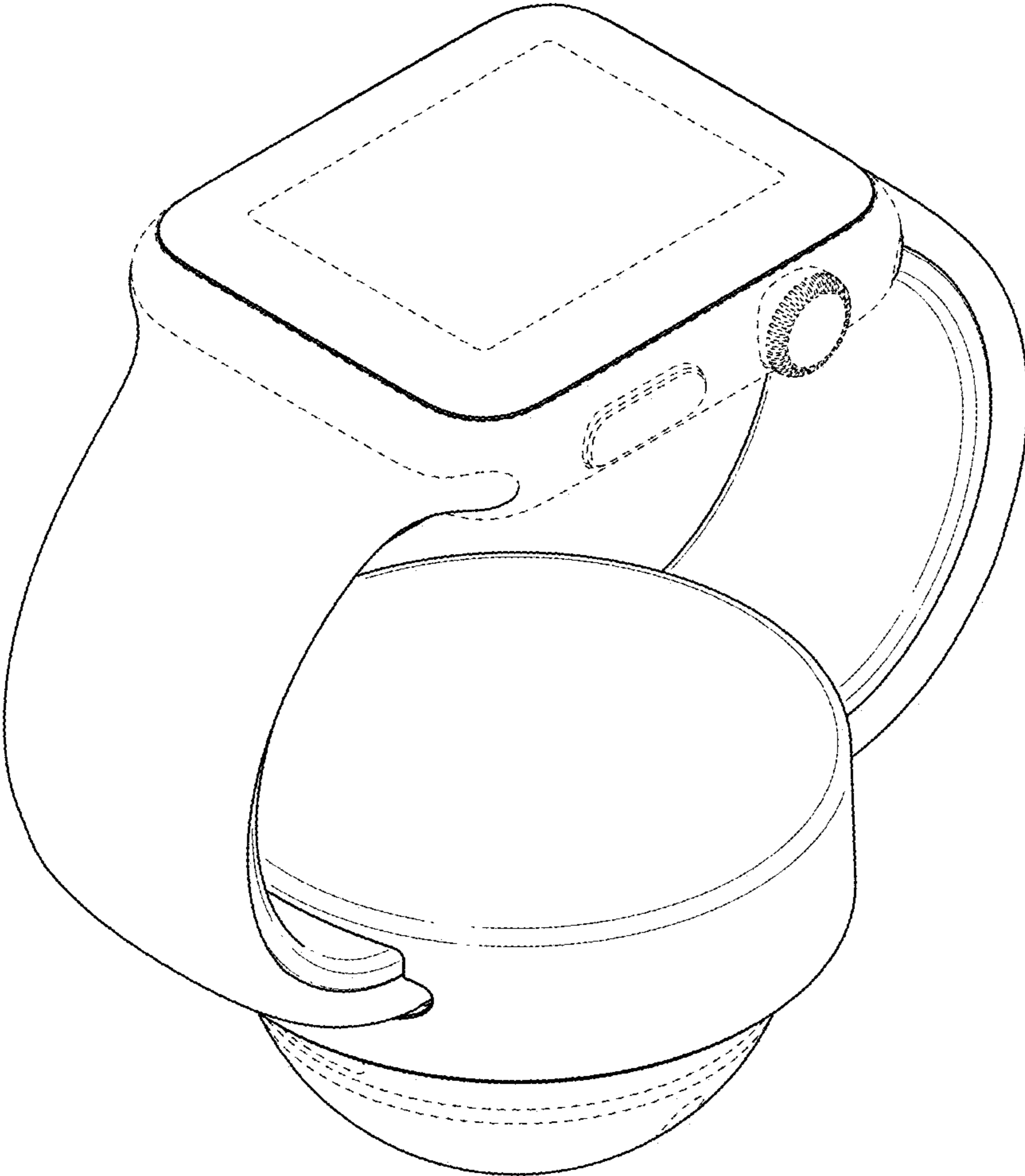


FIG. 1

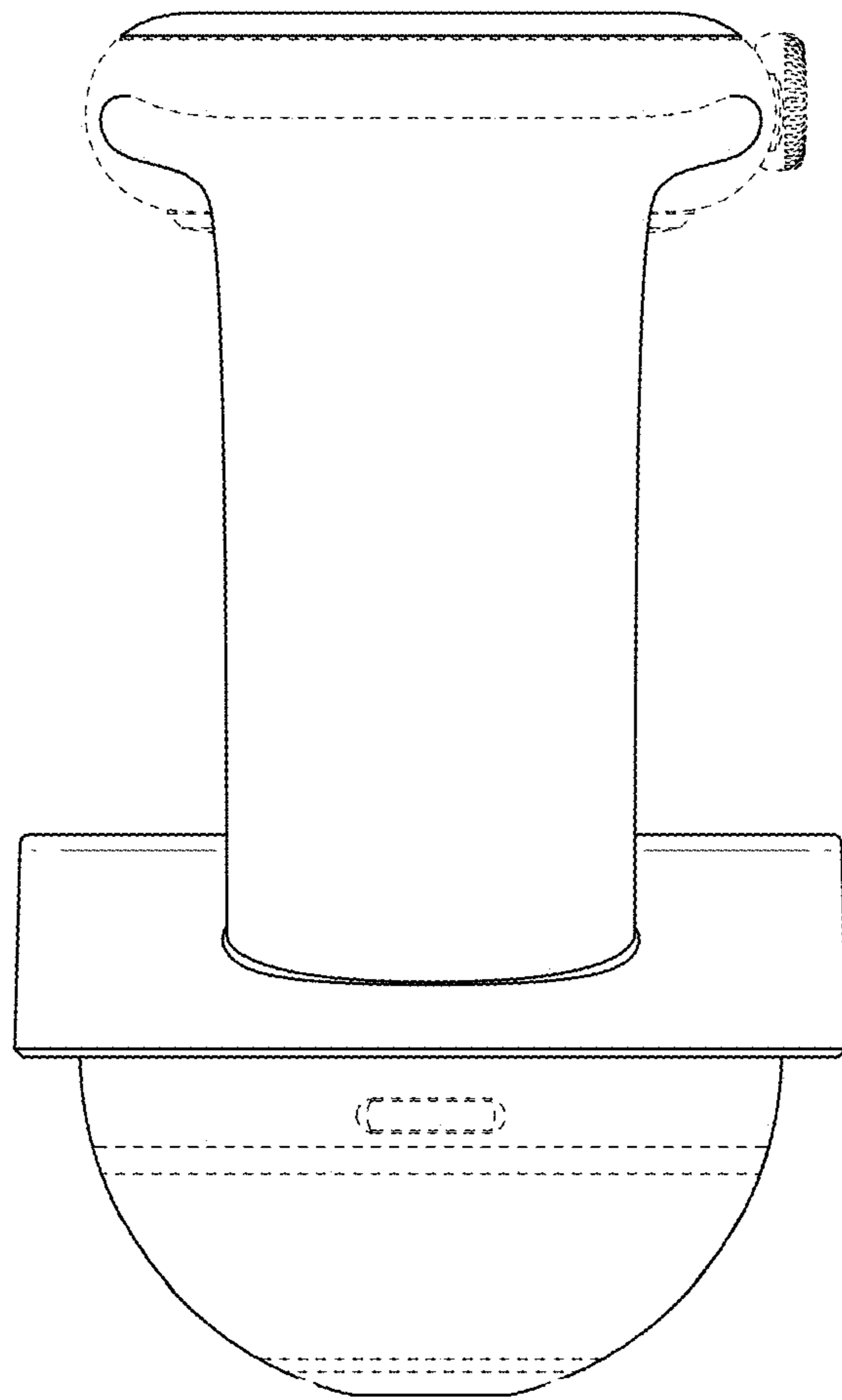


FIG. 2



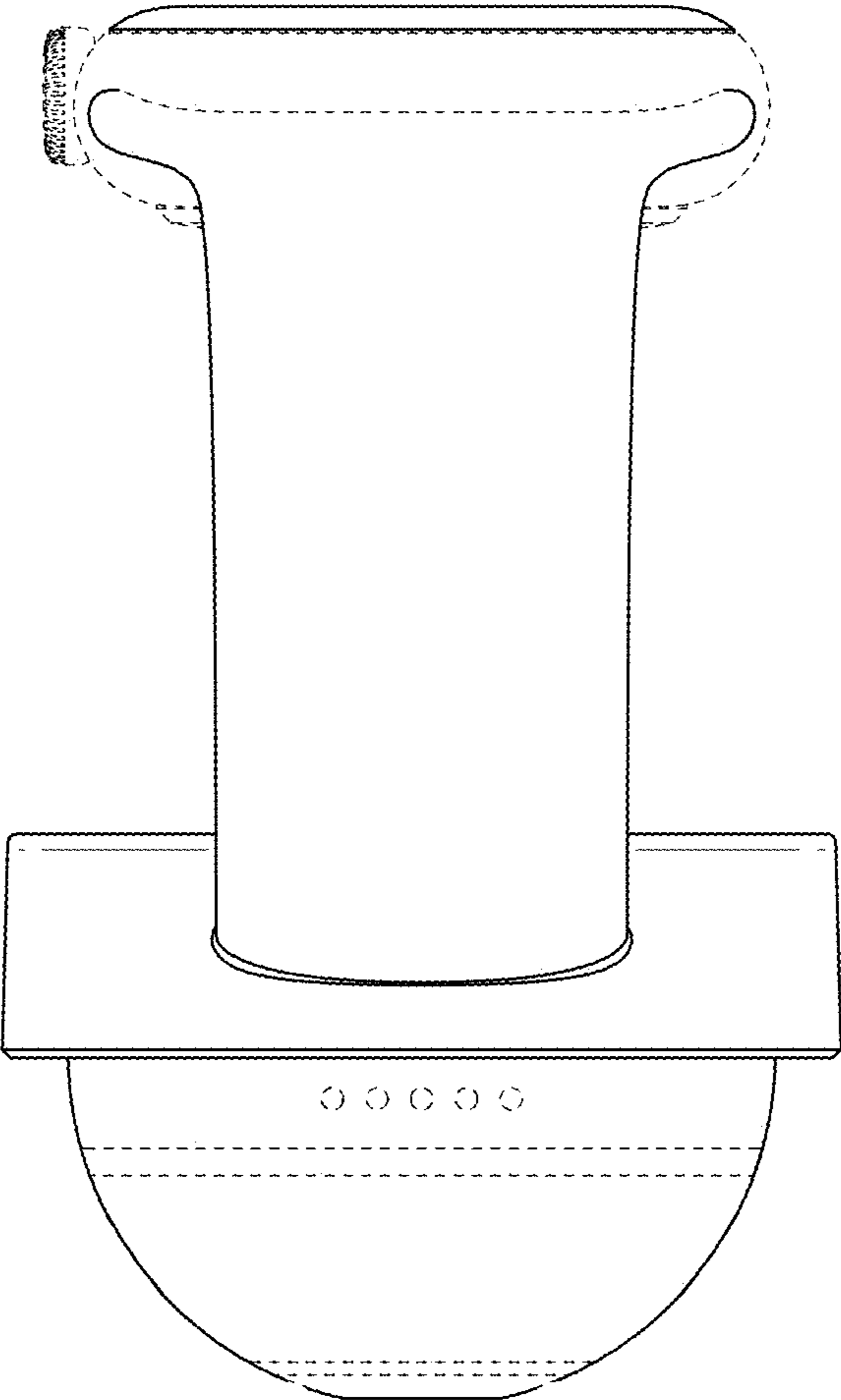


FIG. 3

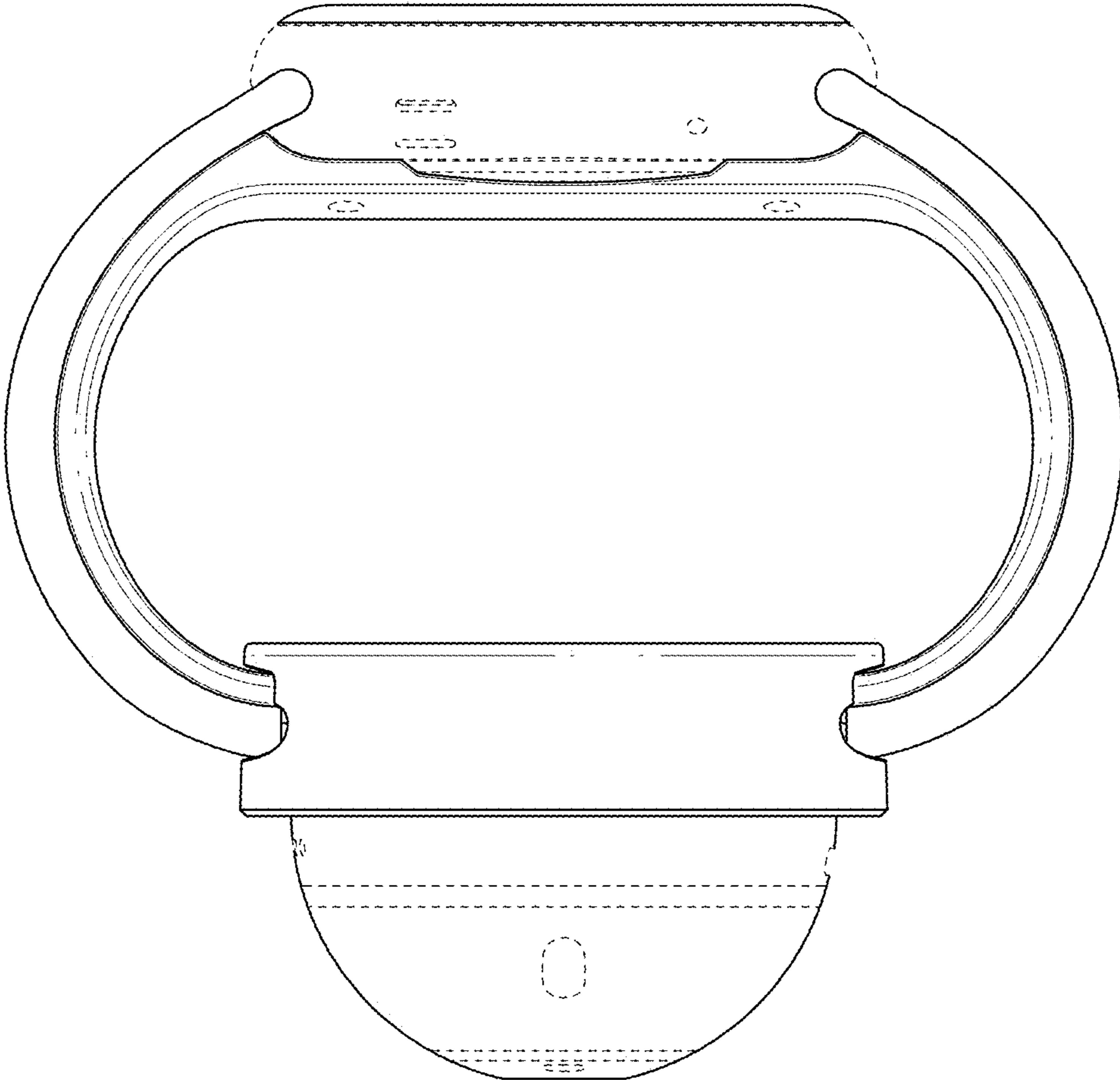


FIG. 4

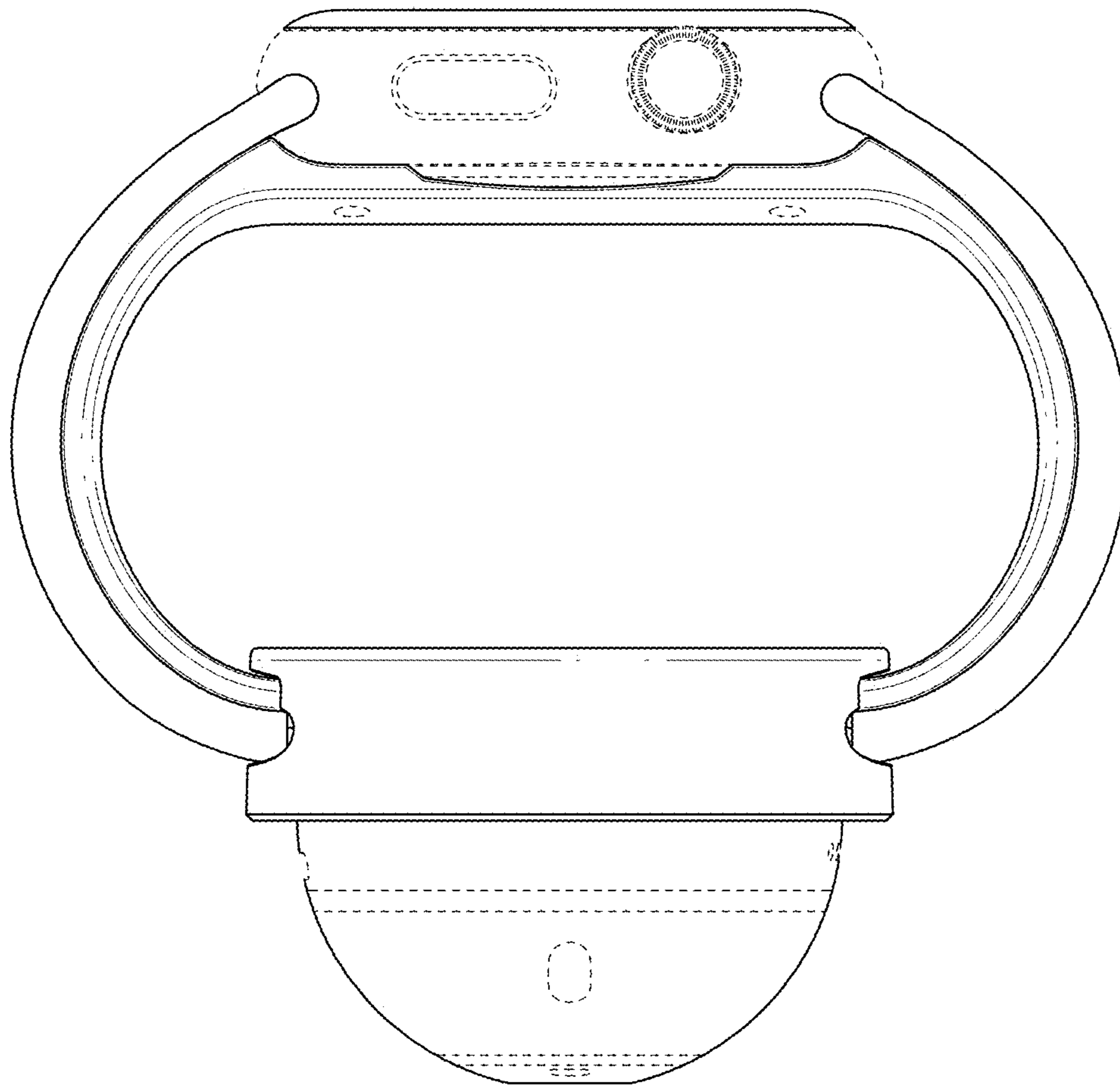


FIG. 5

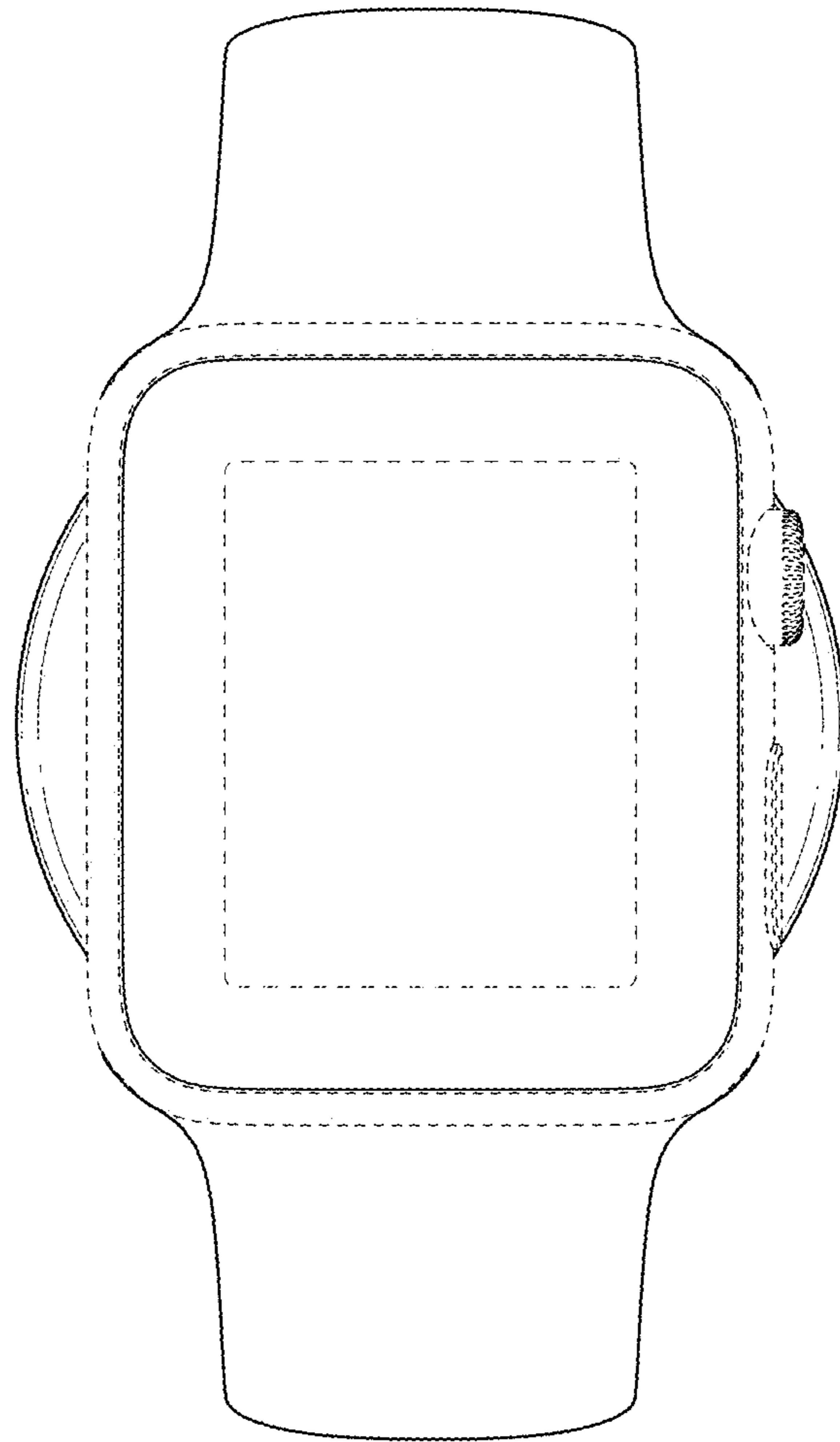


FIG. 6



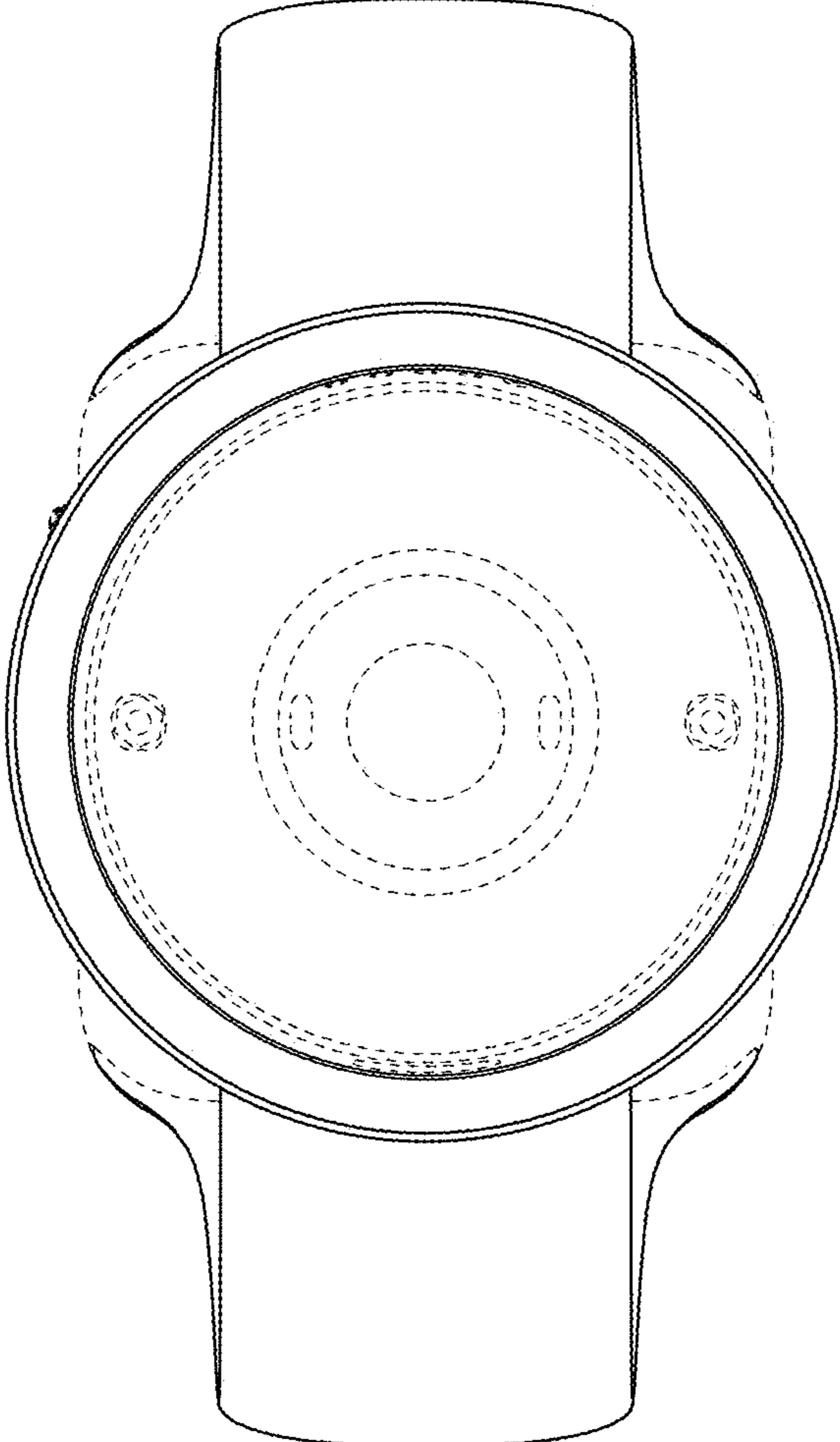


FIG. 7

UNITED STATES PATENT AND TRADEMARK OFFICE  
**CERTIFICATE OF CORRECTION**

PATENT NO. : D973,404 S  
APPLICATION NO. : 29/680991  
DATED : December 27, 2022  
INVENTOR(S) : Akana et al.

Page 1 of 1

It is certified that error appears in the above-identified patent and that said Letters Patent is hereby corrected as shown below:

On the Title Page

In the Description section, replace:

“The broken lines in the figures show portions of the display stand and display stand component with wearable device that form no part of the claimed design.”

With:

“The broken lines in the figures show portions of the display stand component with wearable device that form no part of the claimed design.”

Signed and Sealed this  
Thirty-first Day of January, 2023  
*Katherine Kelly Vidal*

Katherine Kelly Vidal  
*Director of the United States Patent and Trademark Office*