



US00D973402S

(12) **United States Design Patent**
Zhou

(10) **Patent No.:** **US D973,402 S**

(45) **Date of Patent:** **** Dec. 27, 2022**

(54) **RACK**

(71) Applicant: **Yongli Zhou**, Yongkang (CN)

(72) Inventor: **Yongli Zhou**, Yongkang (CN)

(**) Term: **15 Years**

(21) Appl. No.: **29/773,896**

(22) Filed: **Mar. 12, 2021**

(30) **Foreign Application Priority Data**

Jan. 12, 2021 (CN) 202130020487.0

(51) **LOC (13) Cl.** **06-06**

(52) **U.S. Cl.**
USPC **D6/675.2**

(58) **Field of Classification Search**
USPC D6/672, 675, 675.1, 675.2, 675.3, 675.4,
D6/675.5
CPC .. A47F 1/00; A47F 3/00; A47F 3/0439; A47F
3/06; A47F 5/0018; A47F 5/0081; A47B
96/00; A47B 96/02; A47B 47/00; A47B
47/021
See application file for complete search history.

(56) **References Cited**

U.S. PATENT DOCUMENTS

- D248,915 S * 8/1978 Brandenfels D6/672
- D415,365 S * 10/1999 Nicklas D6/684
- D433,253 S * 11/2000 Gingrich D6/675.2
- D449,466 S * 10/2001 Tseng D6/675.2
- D749,879 S * 2/2016 Wall D6/680.3
- D808,200 S * 1/2018 Davis D6/675.1
- D809,835 S * 2/2018 Greenspon D6/681

- D829,473 S * 10/2018 Mical D6/681
- D860,689 S * 9/2019 Davis D6/672
- D864,627 S * 10/2019 Rockwell D6/675
- D871,116 S * 12/2019 Li D6/675.1
- D874,191 S * 2/2020 Qi D6/664
- D883,719 S * 5/2020 Li D6/675.1
- D903,384 S * 12/2020 Davis D6/675.1
- D909,800 S * 2/2021 Peng D6/672
- D910,351 S * 2/2021 Davis D6/681.2
- D912,444 S * 3/2021 Peng D6/672
- D912,445 S * 3/2021 Peng D6/672
- D915,107 S * 4/2021 Johnson D6/675.4
- D923,370 S * 6/2021 Davis D6/675.3
- D926,503 S * 8/2021 Lin D6/678.2
- D934,007 S * 10/2021 Li D6/675.1
- D936,402 S * 11/2021 Huang D6/681
- D941,619 S * 1/2022 Davis D6/675.3
- D955,145 S * 6/2022 Huang D6/681.2
- D965,358 S * 10/2022 Huang D6/681.2
- D965,361 S * 10/2022 Huang D6/681.2

* cited by examiner

Primary Examiner — Kelley A Donnelly

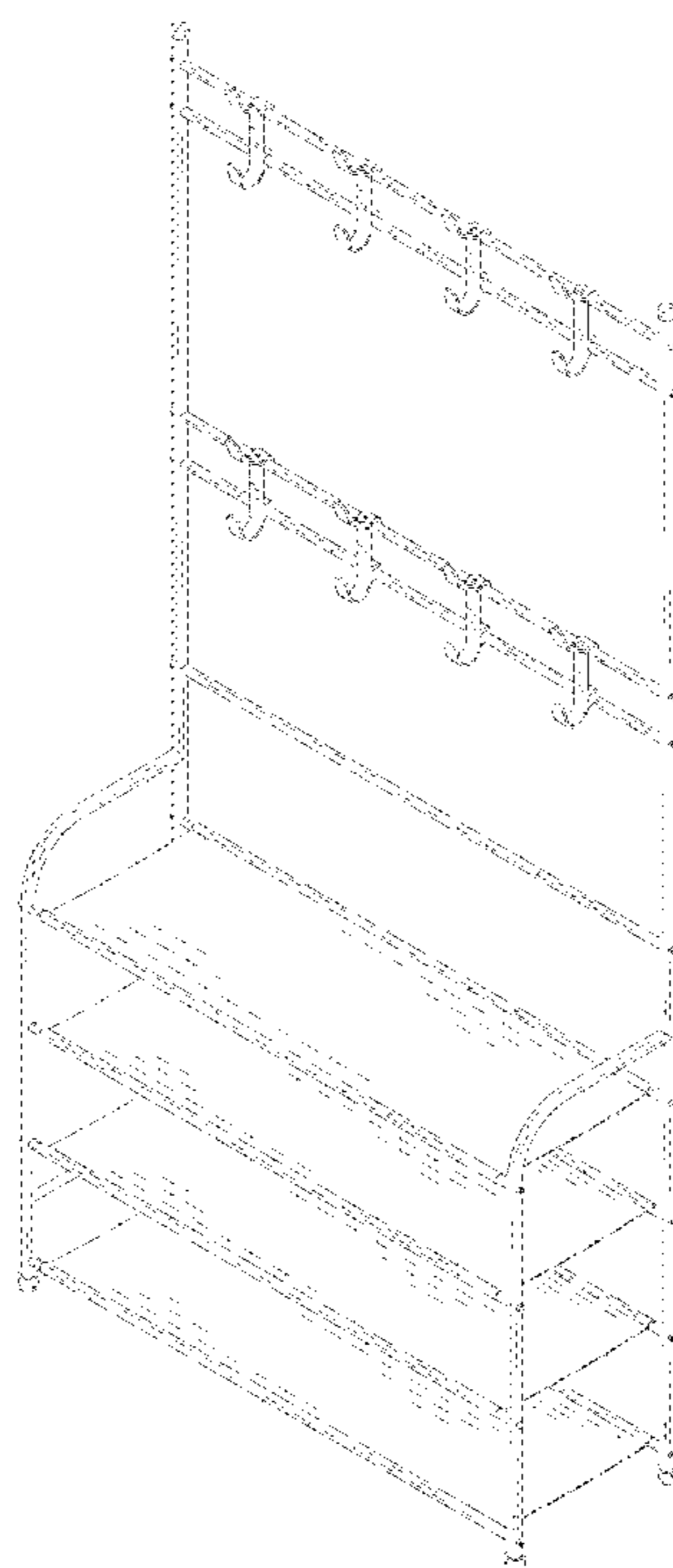
(57) **CLAIM**

The ornamental design for a rack, as shown and described.

DESCRIPTION

FIG. 1 is a perspective view of a rack showing my new design;
 FIG. 2 is a front elevational view thereof;
 FIG. 3 is a rear elevational view thereof;
 FIG. 4 is a left side elevational view thereof;
 FIG. 5 is a right side elevational view thereof;
 FIG. 6 is a top plan view thereof; and,
 FIG. 7 is a bottom plan view thereof.

1 Claim, 7 Drawing Sheets



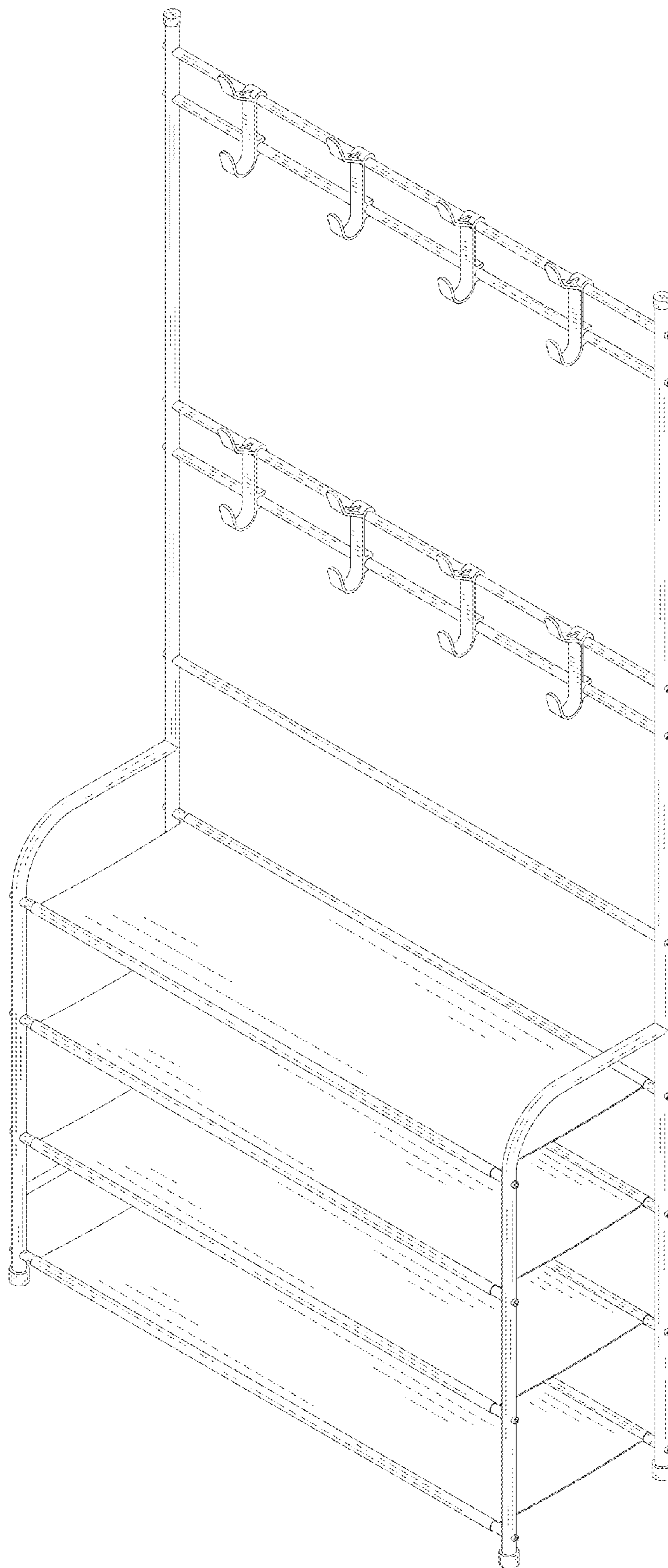


FIG.1

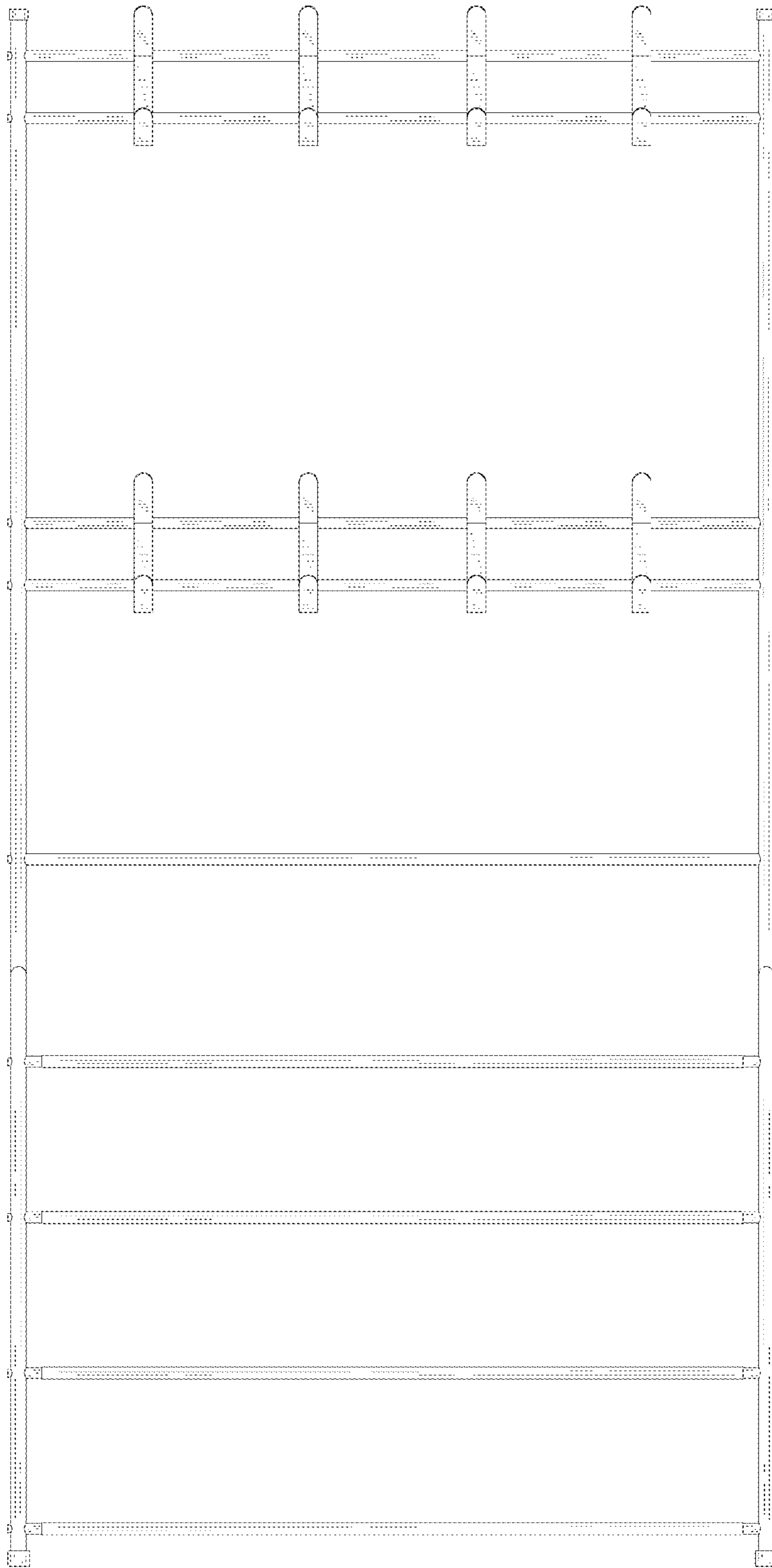


FIG. 2

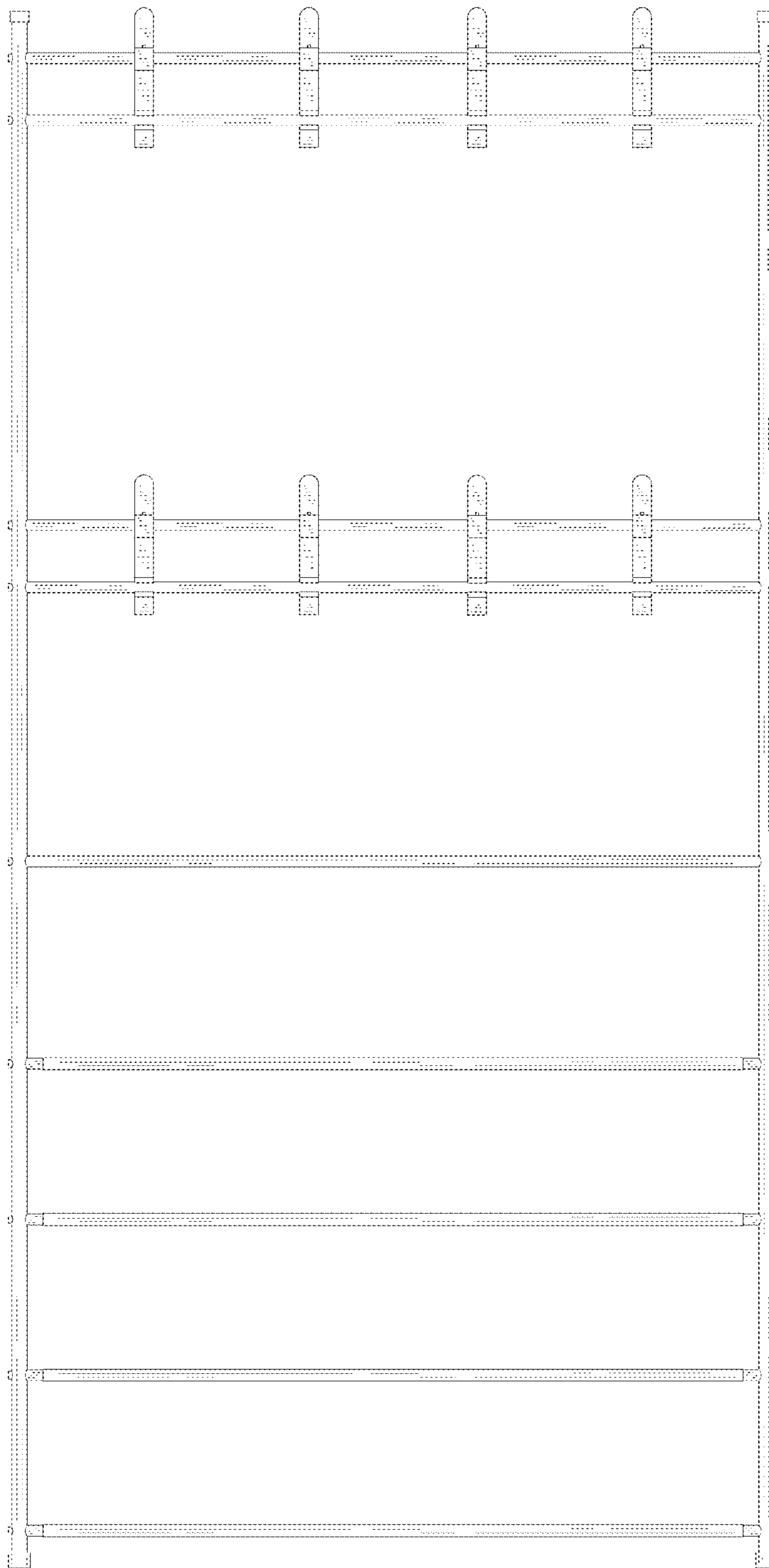


FIG.3

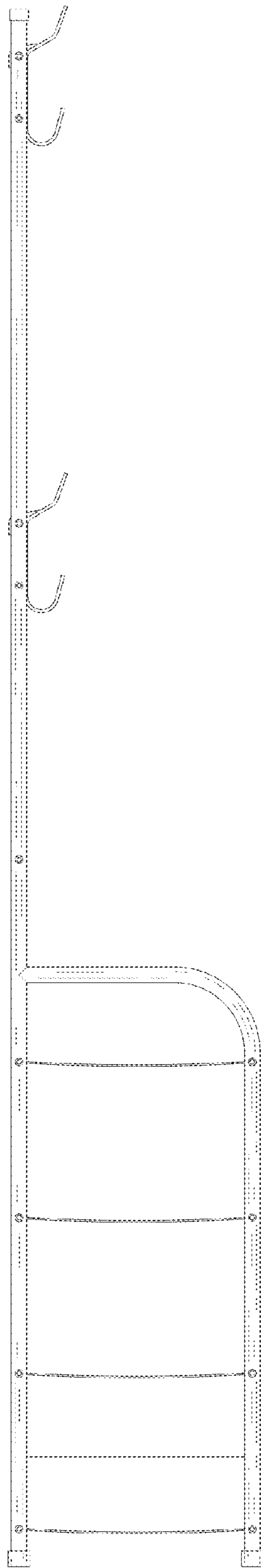


FIG. 4

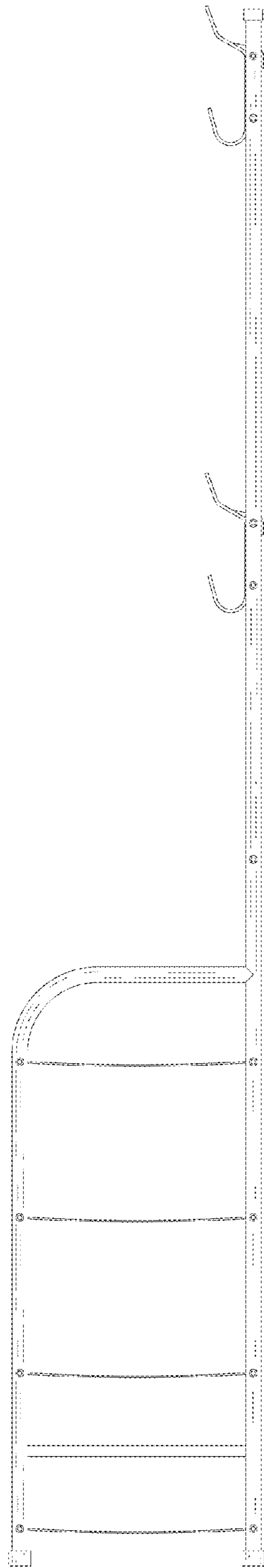


FIG.5

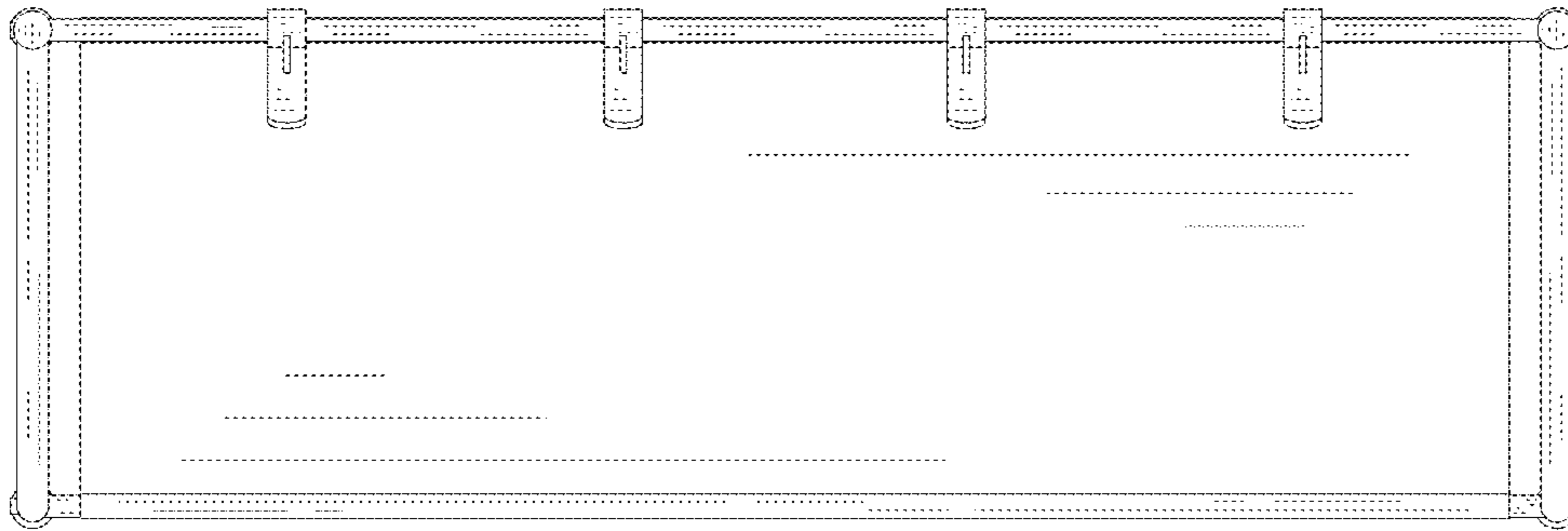


FIG. 6

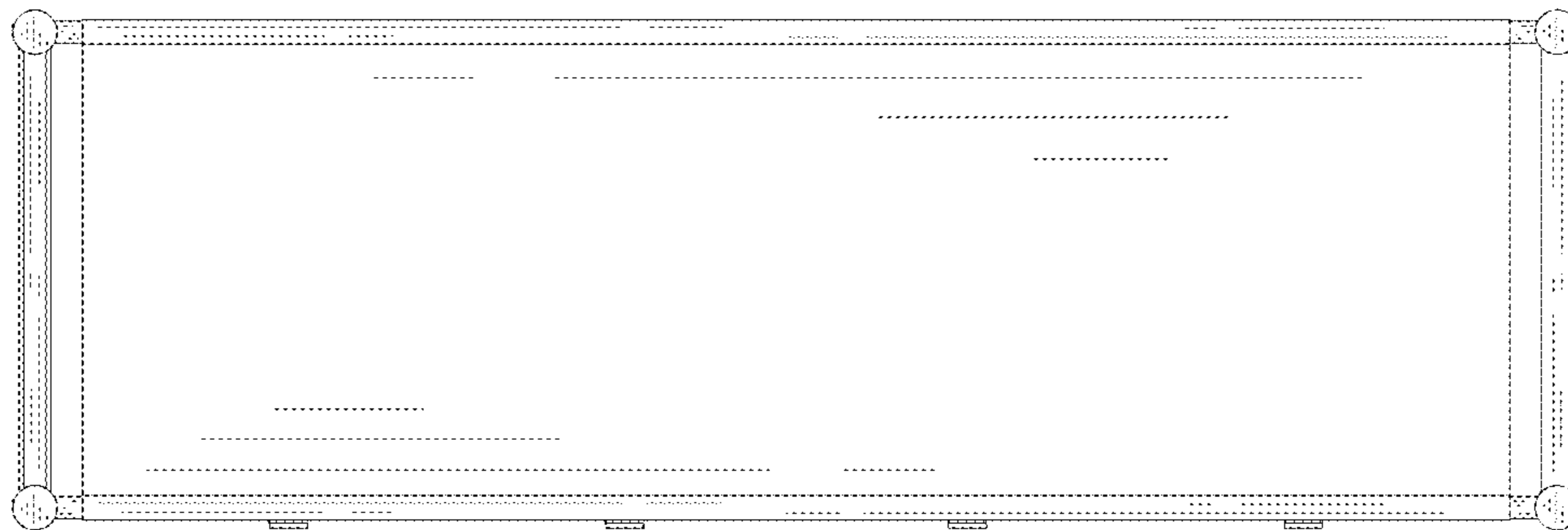


FIG. 7