



US00D973398S

(12) **United States Design Patent** (10) **Patent No.:** **US D973,398 S**  
**Leng** (45) **Date of Patent:** **\*\* Dec. 27, 2022**

(54) **TABLE**

(71) Applicant: **New-Tec Integration (Xiamen) Co., Ltd.**, Xiamen (CN)

(72) Inventor: **Luhao Leng**, Xiamen (CN)

(73) Assignee: **New-Tec Integration (Xiamen) Co., Ltd.**, Xiamen (CN)

(\*\*) Term: **15 Years**

(21) Appl. No.: **29/719,864**

(22) Filed: **Jan. 8, 2020**

(30) **Foreign Application Priority Data**

Jul. 15, 2019 (CN) ..... 201930375451.7

(51) **LOC (13) Cl.** ..... **06-03**

(52) **U.S. Cl.**  
USPC ..... **D6/656.17**

(58) **Field of Classification Search**  
USPC ..... D6/686, 690, 691, 691.3, 656.17, 691.1, D6/691.5, 691.6

CPC .. A47B 3/00; A47B 3/002; A47B 3/08; A47B 3/0812; A47B 3/0818; A47B 3/0912; A47B 2003/006; A47B 2003/0821; A47B 7/00; A47B 13/00; A47B 13/02; A47B 13/04; A47B 13/06; A47B 13/08; A47B 21/00; A47B 2200/0001; A47B 2200/0011; A47B 2200/002; A47B 2200/0035; A47B 2200/005; A47B 13/10; A47B 13/12; A47B 17/00; A47B 17/003; A47B 17/06; A47B 21/0314; A47B 2021/0307; A47B 2021/0321; A47B 2021/0335; A47B 2200/0003; A47B 2200/0004; A47B 47/0058; A47B 11/00; A47B 3/06; A47B 7/0091; A47B 7/0025; A47B 7/0058; A47B 7/0008

See application file for complete search history.

(56) **References Cited**

U.S. PATENT DOCUMENTS

2,692,175 A \* 10/1954 Jacques ..... A47B 3/0803  
108/124  
2,794,695 A \* 6/1957 Heal ..... A47B 9/08  
108/146  
2,857,228 A \* 10/1958 Koett ..... A47B 23/046  
108/115

(Continued)

OTHER PUBLICATIONS

XL TV Tray by Table-Mate, first available: Oct. 3, 2016. Amazon.com [online], [site visited Nov. 26, 2021], Internet URL: [https://www.amazon.com/Table-Mate-XL-TV-Tray-Portable/dp/B06X9Y33CP/ref=sr\\_1\\_10?th=1](https://www.amazon.com/Table-Mate-XL-TV-Tray-Portable/dp/B06X9Y33CP/ref=sr_1_10?th=1) (Year: 2016).\*

(Continued)

*Primary Examiner* — Steven J Czyz  
*Assistant Examiner* — Hillary Catherine Shepard  
(74) *Attorney, Agent, or Firm* — Cooper Legal Group, LLC

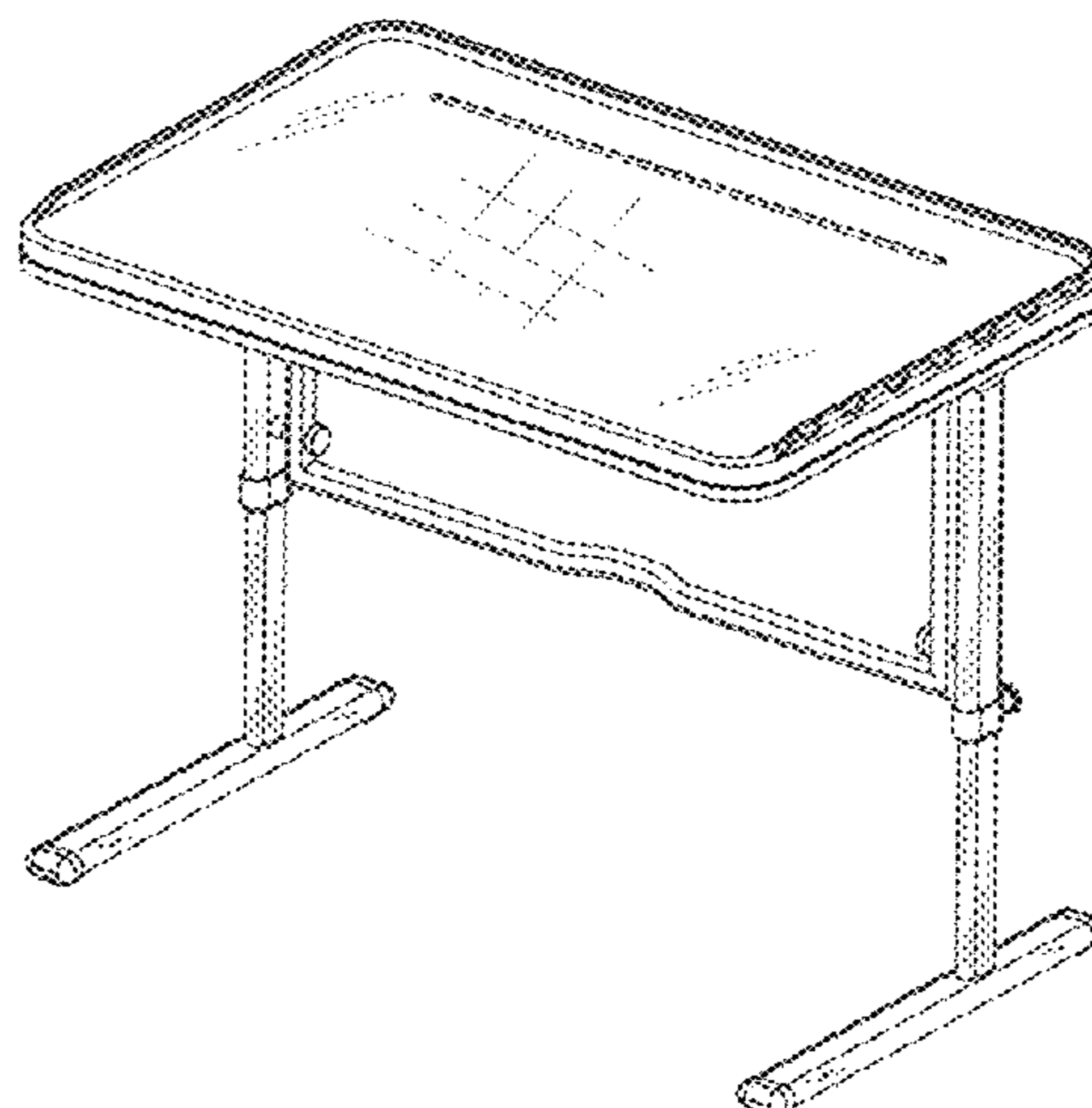
(57) **CLAIM**

The ornamental design for a table, as shown and described.

**DESCRIPTION**

FIG. 1 is a front elevation view of a table showing the new design;  
FIG. 2 is a rear elevation view thereof;  
FIG. 3 is a left side elevation view thereof;  
FIG. 4 is a right side elevation view thereof;  
FIG. 5 is a top plan view thereof;  
FIG. 6 is a bottom plan view thereof;  
FIG. 7 is a perspective view thereof; and,  
FIG. 8 is a perspective view of the table shown in a collapsed orientation.  
The broken lines shown in the drawings are for the purpose of illustrating portions of the article and form no part of the claimed design.

**1 Claim, 8 Drawing Sheets**



(56)

References Cited

U.S. PATENT DOCUMENTS

D186,366 S \* 10/1959 Wilson ..... D6/691.6  
 D235,834 S \* 7/1975 Payne ..... D6/691.5  
 3,954,068 A \* 5/1976 Roberts ..... A47B 3/0918  
 105/124  
 D273,163 S \* 3/1984 Halme ..... D6/655.19  
 D299,601 S \* 1/1989 Campbell ..... D6/406.2  
 D314,878 S \* 2/1991 Hart ..... D6/691.3  
 5,417,168 A \* 5/1995 Soper ..... A47B 3/00  
 108/124  
 D376,931 S \* 12/1996 Fewchuk ..... D6/655.21  
 D474,356 S \* 5/2003 Bosman ..... D6/656.13  
 D501,336 S \* 2/2005 Lin ..... D6/656.13  
 D507,710 S \* 7/2005 Fletcher ..... D6/656.13  
 D548,496 S \* 8/2007 Samtani ..... D6/656.13  
 7,299,754 B2 \* 11/2007 Stanford ..... A47B 3/091  
 108/129  
 D559,592 S \* 1/2008 Glass ..... D6/656.16  
 D577,517 S \* 9/2008 Kumazawa ..... D6/656.16  
 7,428,872 B2 \* 9/2008 Strong ..... A47B 3/0912  
 108/132  
 D578,324 S \* 10/2008 Glass ..... D6/708  
 D612,169 S \* 3/2010 Chang ..... D6/656.13  
 D627,178 S \* 11/2010 Adams ..... D6/656.12  
 D638,637 S \* 5/2011 Foley ..... D6/681.2  
 D720,161 S \* 12/2014 Udagawa ..... D6/656.13  
 D728,433 S \* 5/2015 Nishida ..... D12/128  
 D731,821 S \* 6/2015 Hosoya ..... D6/650  
 D734,079 S \* 7/2015 Roth ..... D6/700  
 D759,994 S \* 6/2016 Lin ..... D6/656.13  
 D770,814 S \* 11/2016 Davidson ..... D6/656.15  
 D776,961 S \* 1/2017 Yamamoto ..... D6/656.16  
 D777,486 S \* 1/2017 Lin ..... D6/691  
 D784,049 S \* 4/2017 Labrosse ..... D6/650

9,713,375 B1 \* 7/2017 Rahm ..... A47B 3/02  
 D819,370 S \* 6/2018 Lenhart ..... D6/656.13  
 10,631,629 B2 \* 4/2020 Hung ..... A47B 3/083  
 D887,755 S \* 6/2020 McCaffrey ..... D6/686  
 D899,162 S \* 10/2020 Kuhls ..... D6/686  
 D915,796 S \* 4/2021 Koplent-Zinyk ..... D6/656.19  
 D920,009 S \* 5/2021 Liu ..... D6/656.17  
 11,412,841 B2 \* 8/2022 Leng ..... A47B 5/06  
 2005/0235886 A1 \* 10/2005 Koning ..... A47B 3/0818  
 108/132  
 2008/0250988 A1 \* 10/2008 Mery ..... A47B 3/091  
 108/124  
 2013/0025509 A1 \* 1/2013 Jin ..... A47B 3/0818  
 108/166  
 2013/0233210 A1 \* 9/2013 Jin ..... A47B 3/0818  
 108/166  
 2016/0270521 A1 \* 9/2016 Jiang ..... A47B 3/08  
 2018/0192768 A1 \* 7/2018 Choi ..... A47B 9/16  
 2019/0090626 A1 \* 3/2019 Leng ..... A47B 3/0918  
 2021/0007474 A1 \* 1/2021 Nye ..... A47B 3/0915  
 2021/0267361 A1 \* 9/2021 Leng ..... A47B 5/04

OTHER PUBLICATIONS

Tray Table by YOSHIKO, first available: May 21, 2019. Amazon.com [online], [site visited Nov. 26, 2021], Internet URL: [https://www.amazon.com/YOSHIKO-Adjustable-Foldable-Standing-Writing/dp/B07S52NM7S/ref=sr\\_1\\_97](https://www.amazon.com/YOSHIKO-Adjustable-Foldable-Standing-Writing/dp/B07S52NM7S/ref=sr_1_97) (Year: 2019).\*

Tray Table by Oberhoffe, first available: Jul. 23, 2019. Amazon.com [online], [site visited Nov. 26, 2021], Internet URL: [https://www.amazon.com/Adjustable-Computer-Foldable-Breakfast-Portable/dp/B07VL87NNJ/ref=sr\\_1\\_56](https://www.amazon.com/Adjustable-Computer-Foldable-Breakfast-Portable/dp/B07VL87NNJ/ref=sr_1_56) (Year: 2019).\*

\* cited by examiner

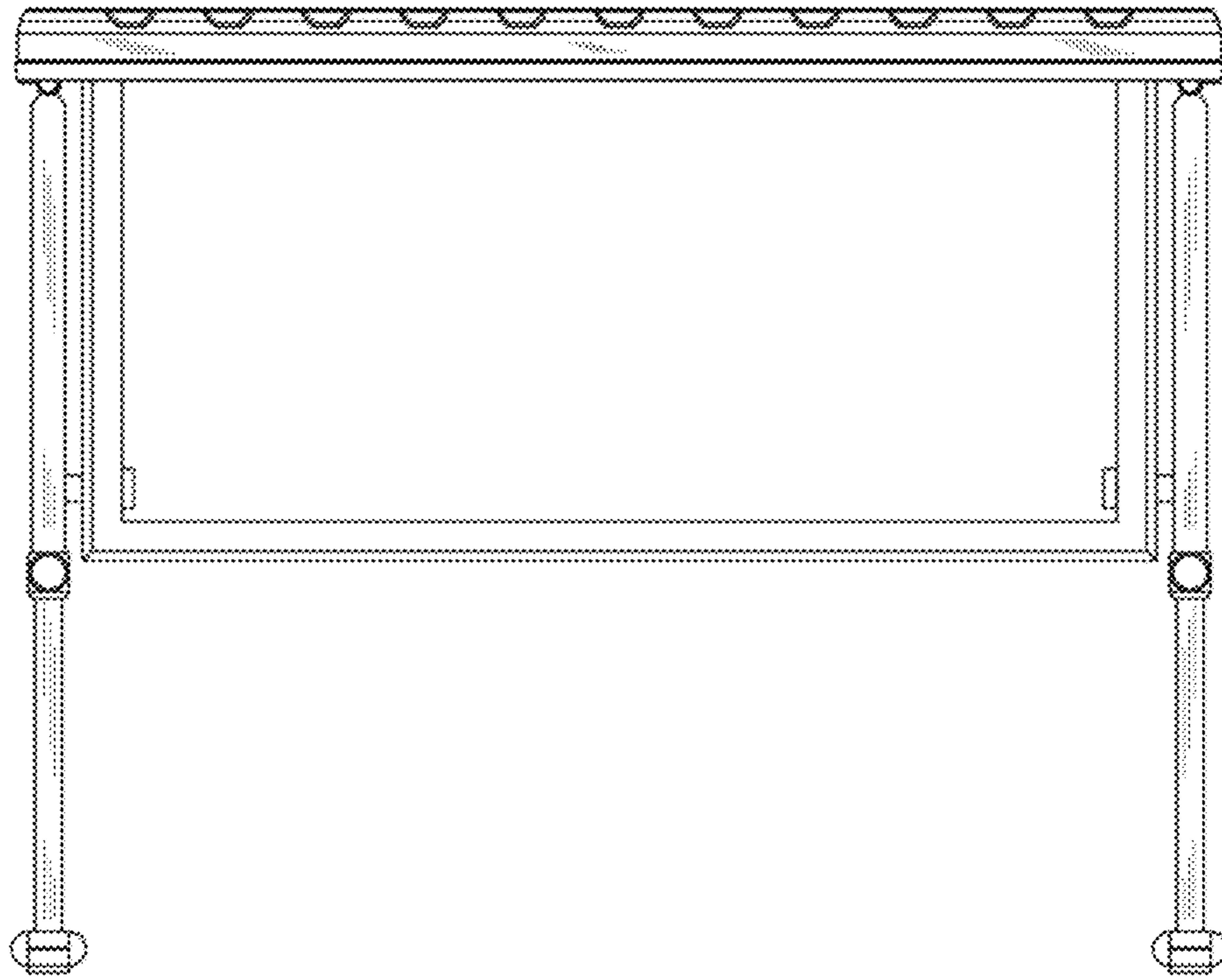


FIG. 1

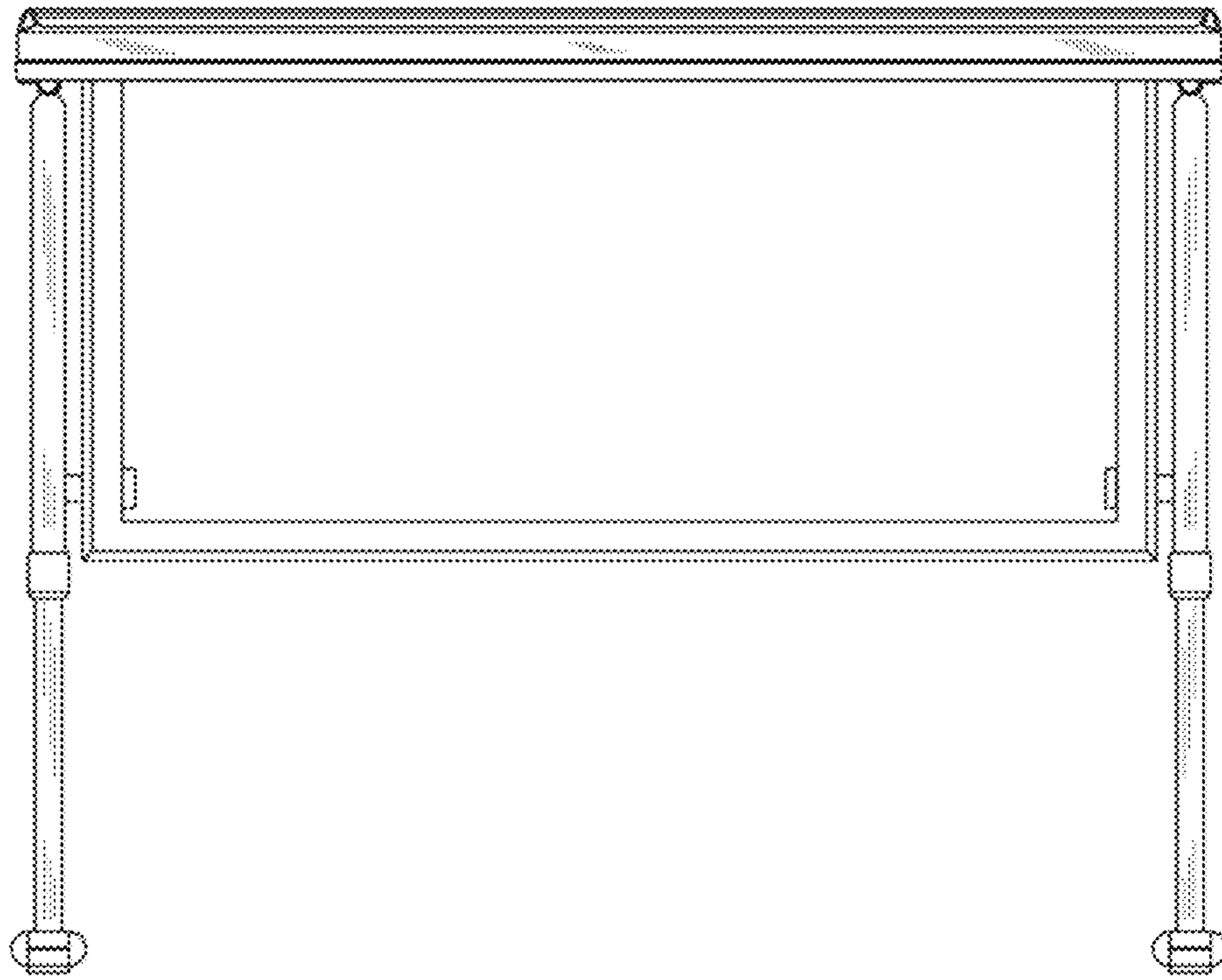


FIG. 2

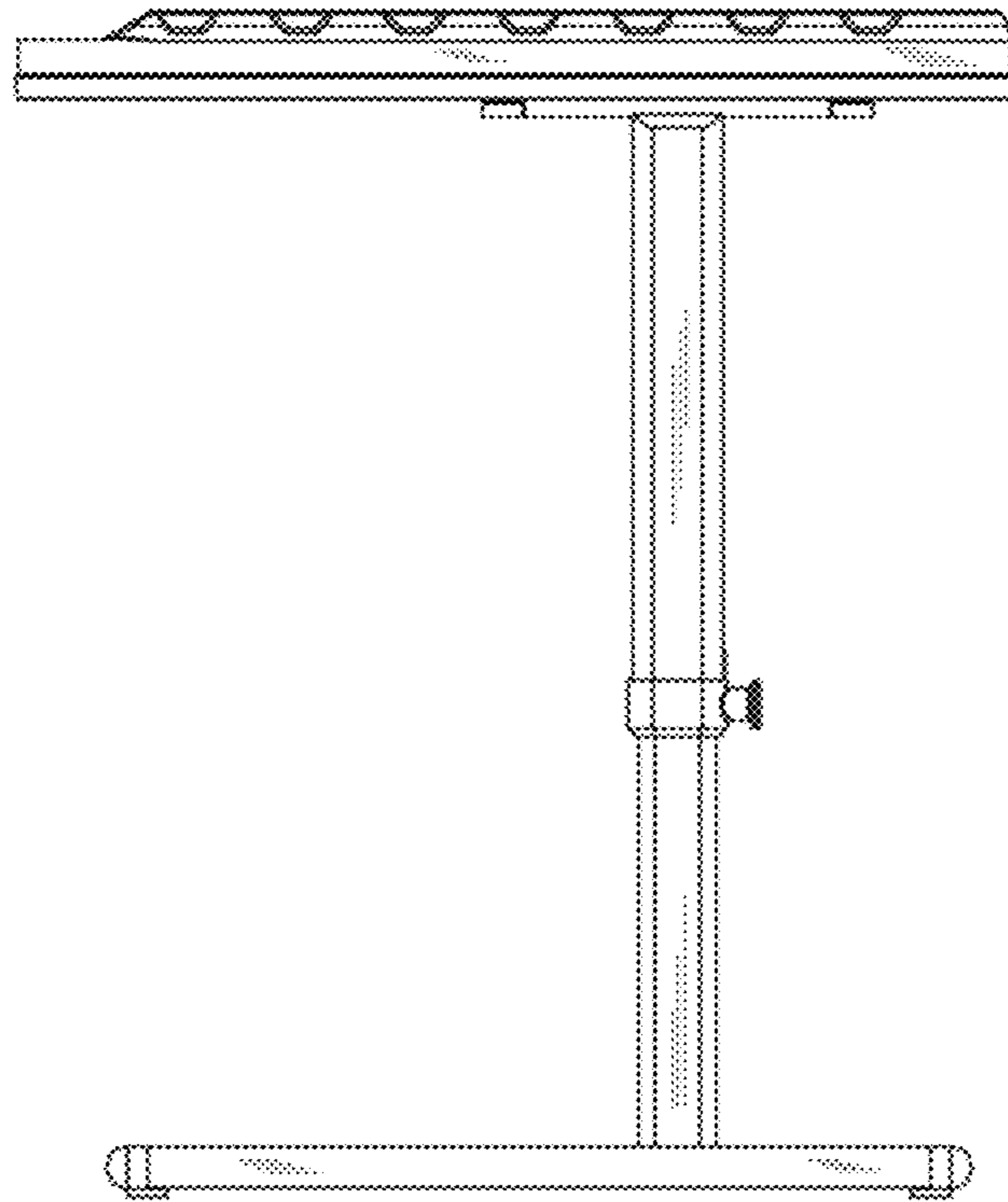


FIG. 3

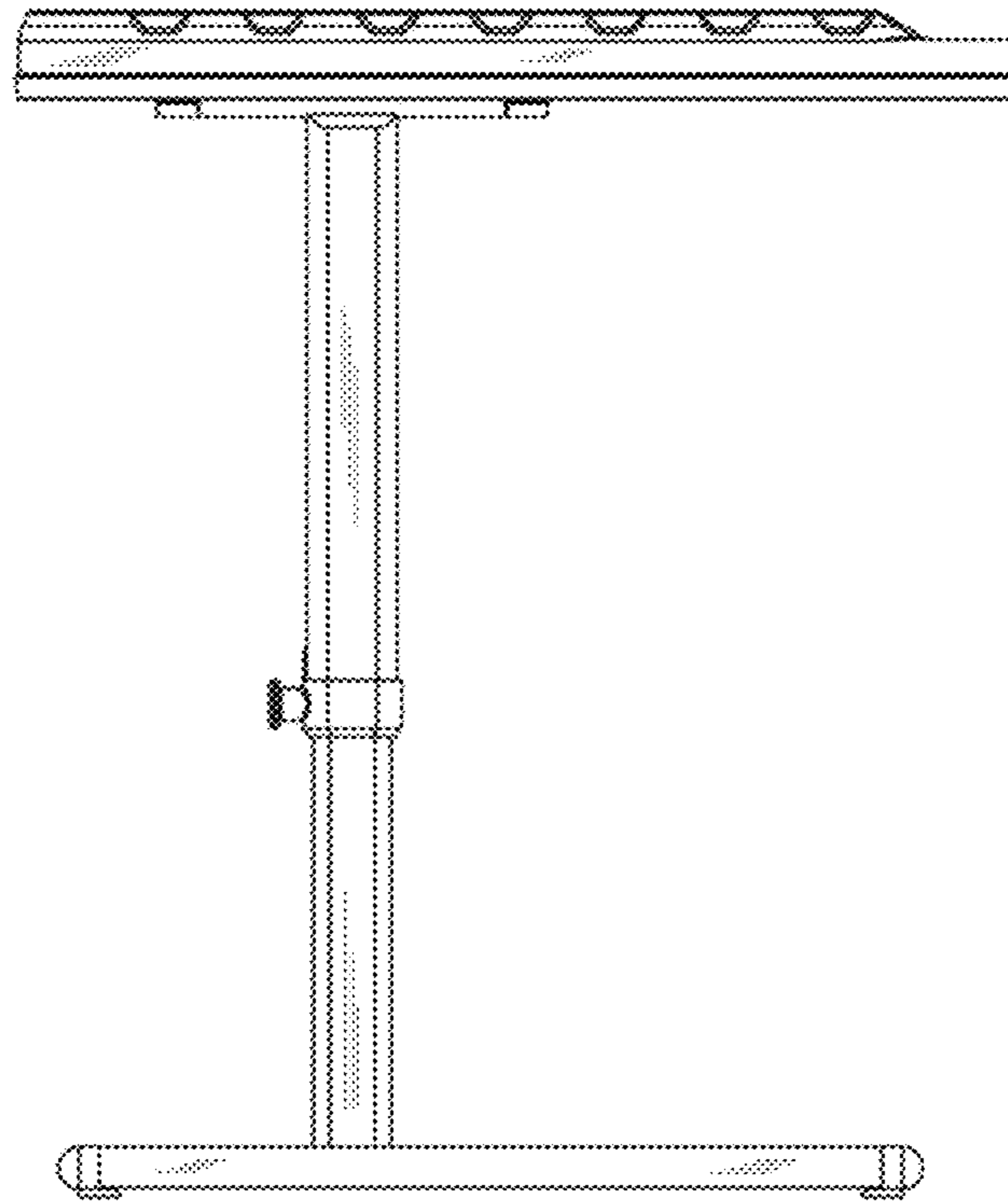


FIG. 4

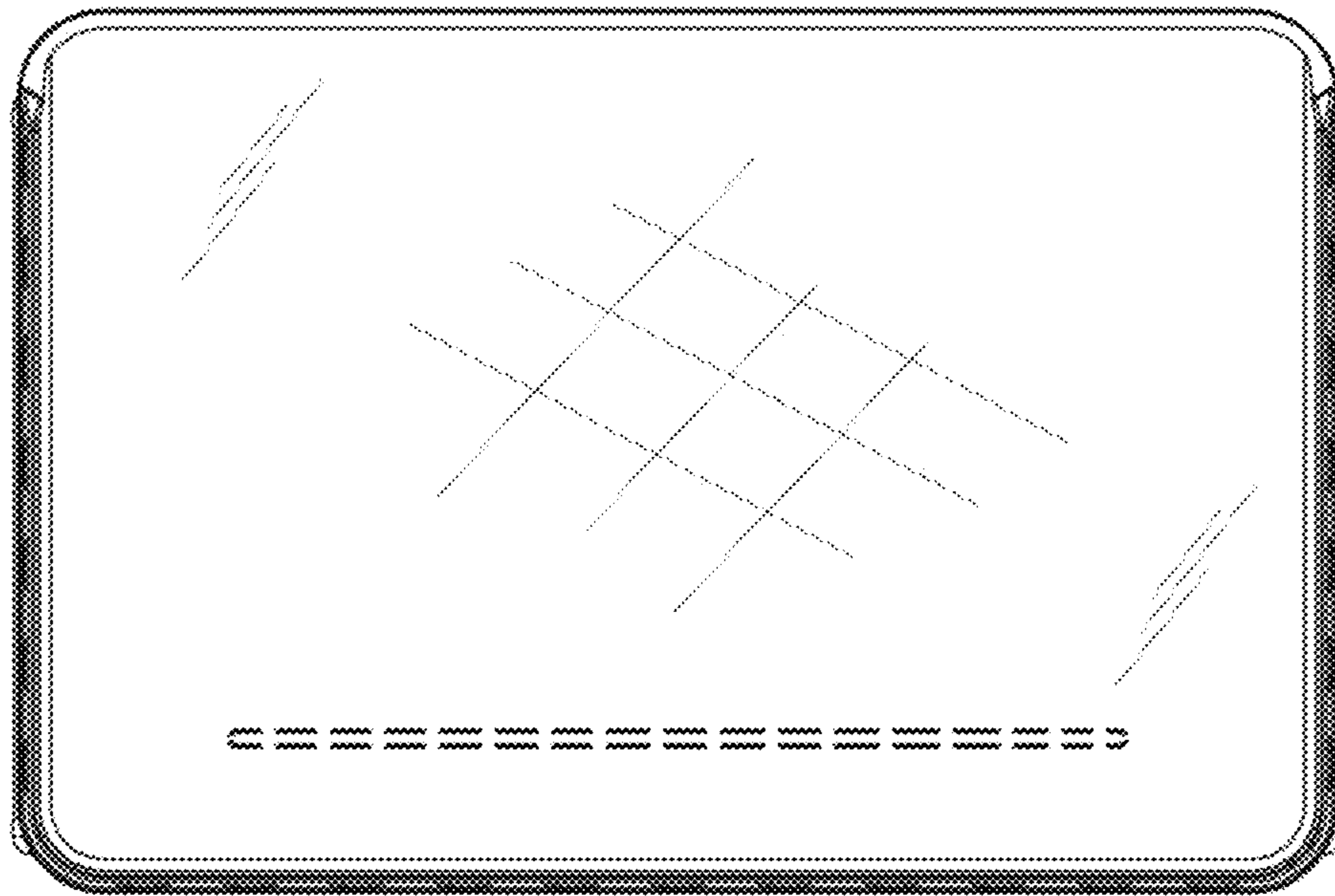


FIG. 5

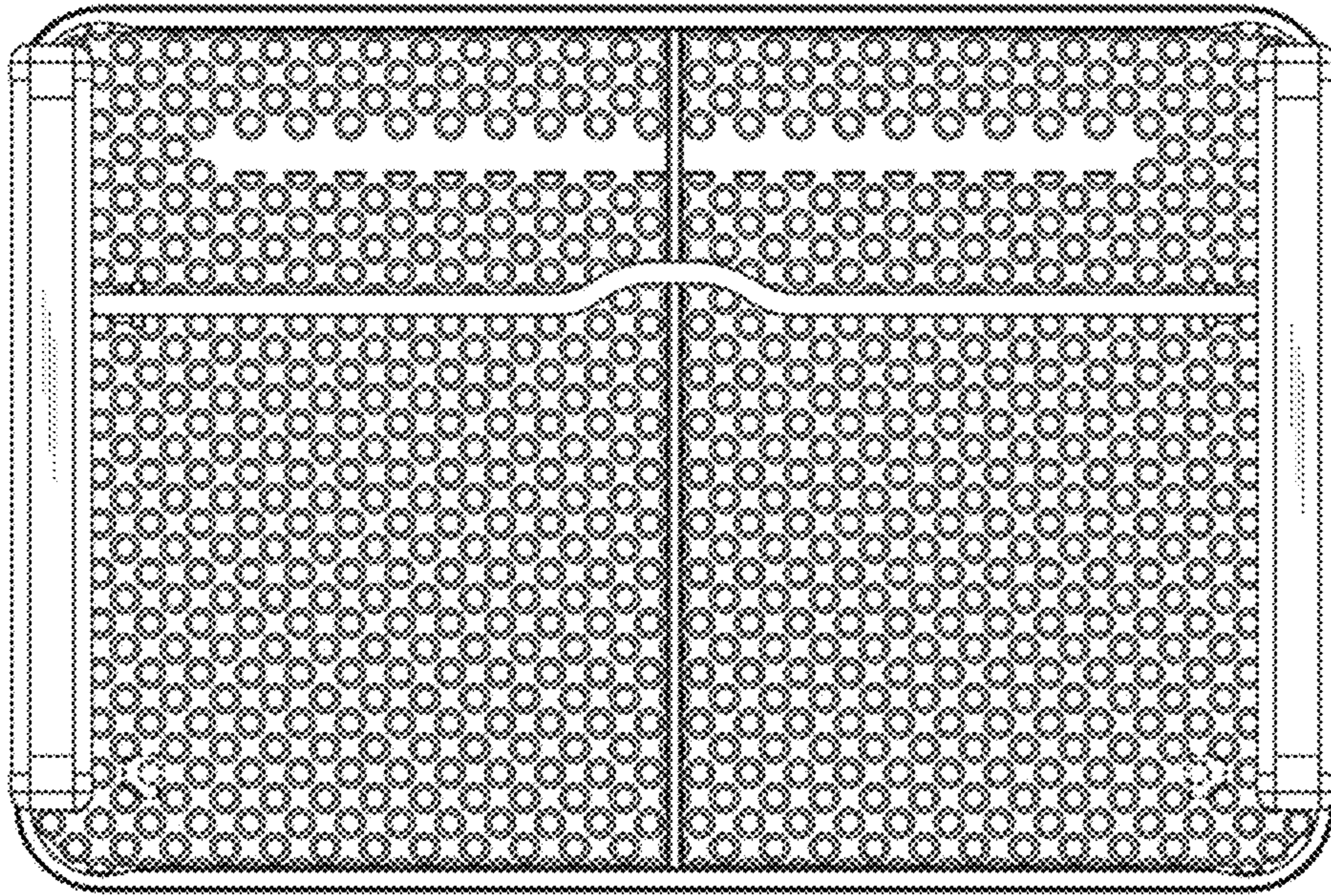


FIG. 6



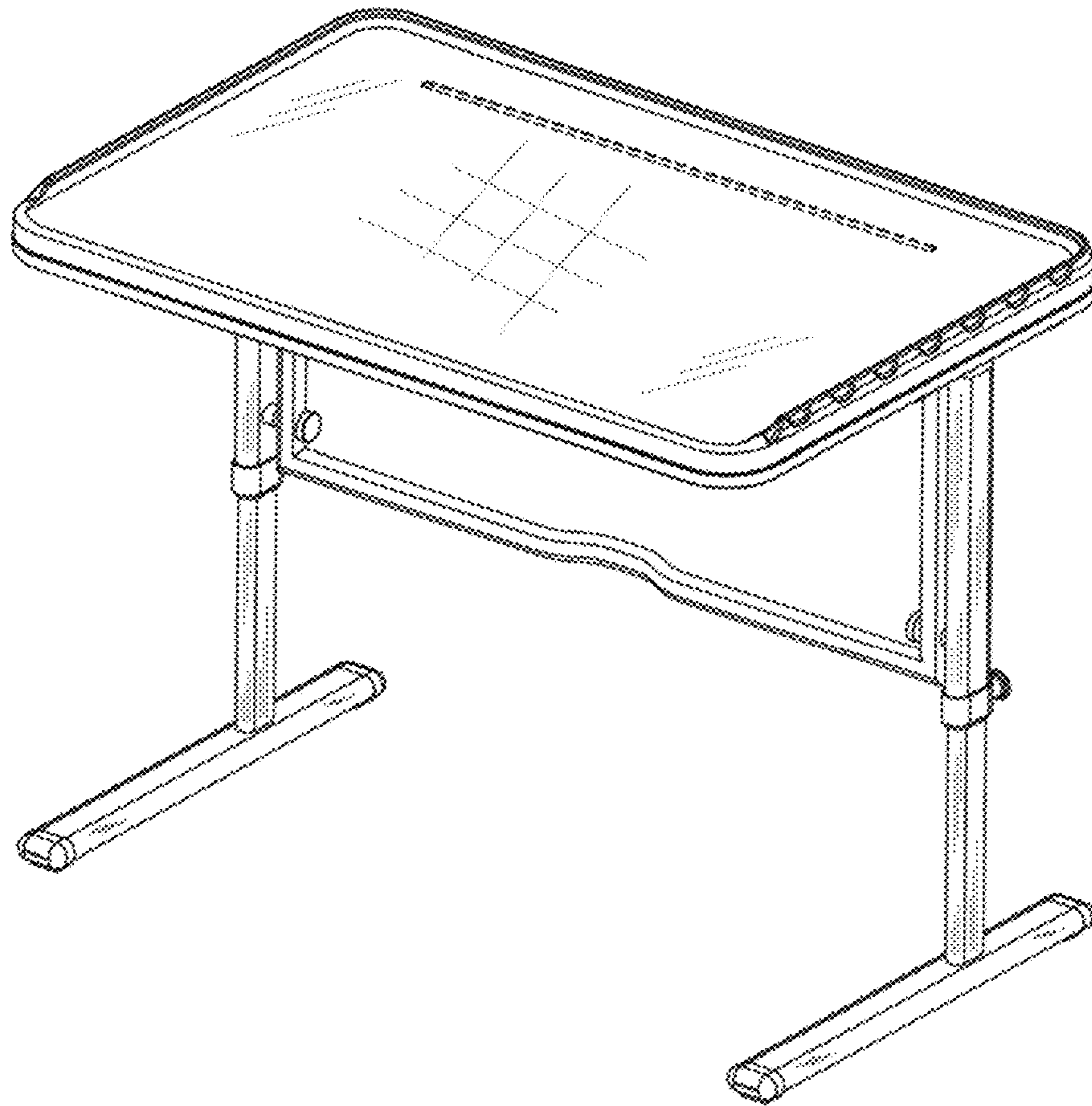


FIG. 7

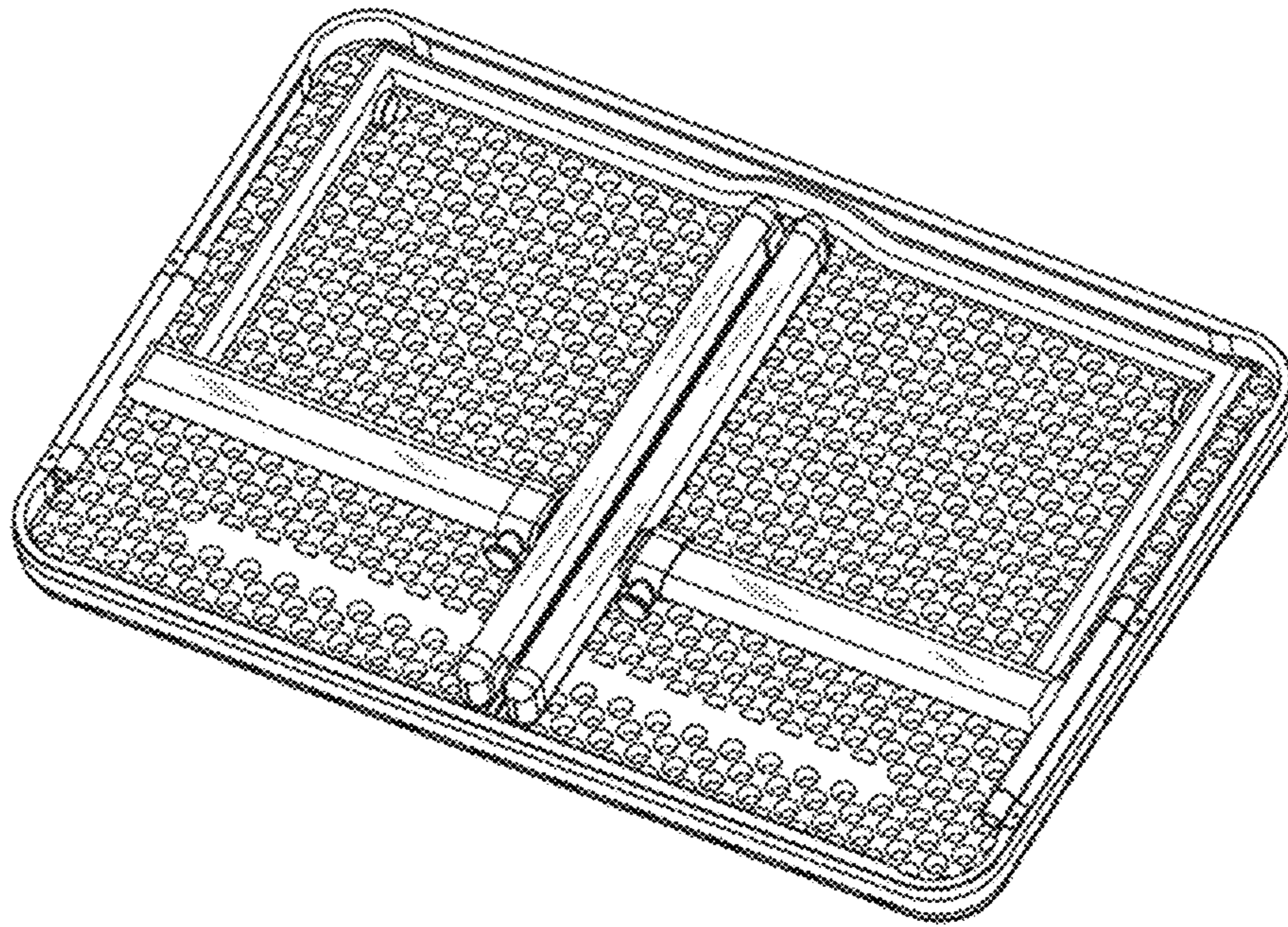


FIG. 8