



US00D973397S

(12) **United States Design Patent**
Nikolajsen

(10) **Patent No.:** **US D973,397 S**

(45) **Date of Patent:** **** Dec. 27, 2022**

(54) **ADJUSTABLE HEIGHT DESK**

(71) Applicant: **Morten Holst Nikolajsen**, Svendborg (DK)

(72) Inventor: **Morten Holst Nikolajsen**, Svendborg (DK)

(**) Term: **15 Years**

(21) Appl. No.: **29/732,905**

(22) Filed: **Apr. 28, 2020**

(51) **LOC (13) Cl.** **06-03**

(52) **U.S. Cl.**
USPC **D6/656.13**

(58) **Field of Classification Search**
USPC D6/641, 642, 656, 656.1, 656.13, 656.14,
D6/656.16–656.19

(Continued)

(56) **References Cited**

U.S. PATENT DOCUMENTS

D354,643 S * 1/1995 Hansel A47B 9/00
D6/656.12
6,327,985 B1 * 12/2001 Frenkler A47B 9/00
248/188.4

(Continued)

OTHER PUBLICATIONS

C9 Desk—Watson <https://www.watsonfurniture.com/products/c9-desk> retrieved from the internet on Jun. 21, 2022.*

(Continued)

Primary Examiner — Mary Ann Calabrese
(74) *Attorney, Agent, or Firm* — Christensen O'Connor Johnson Kindness PLLC

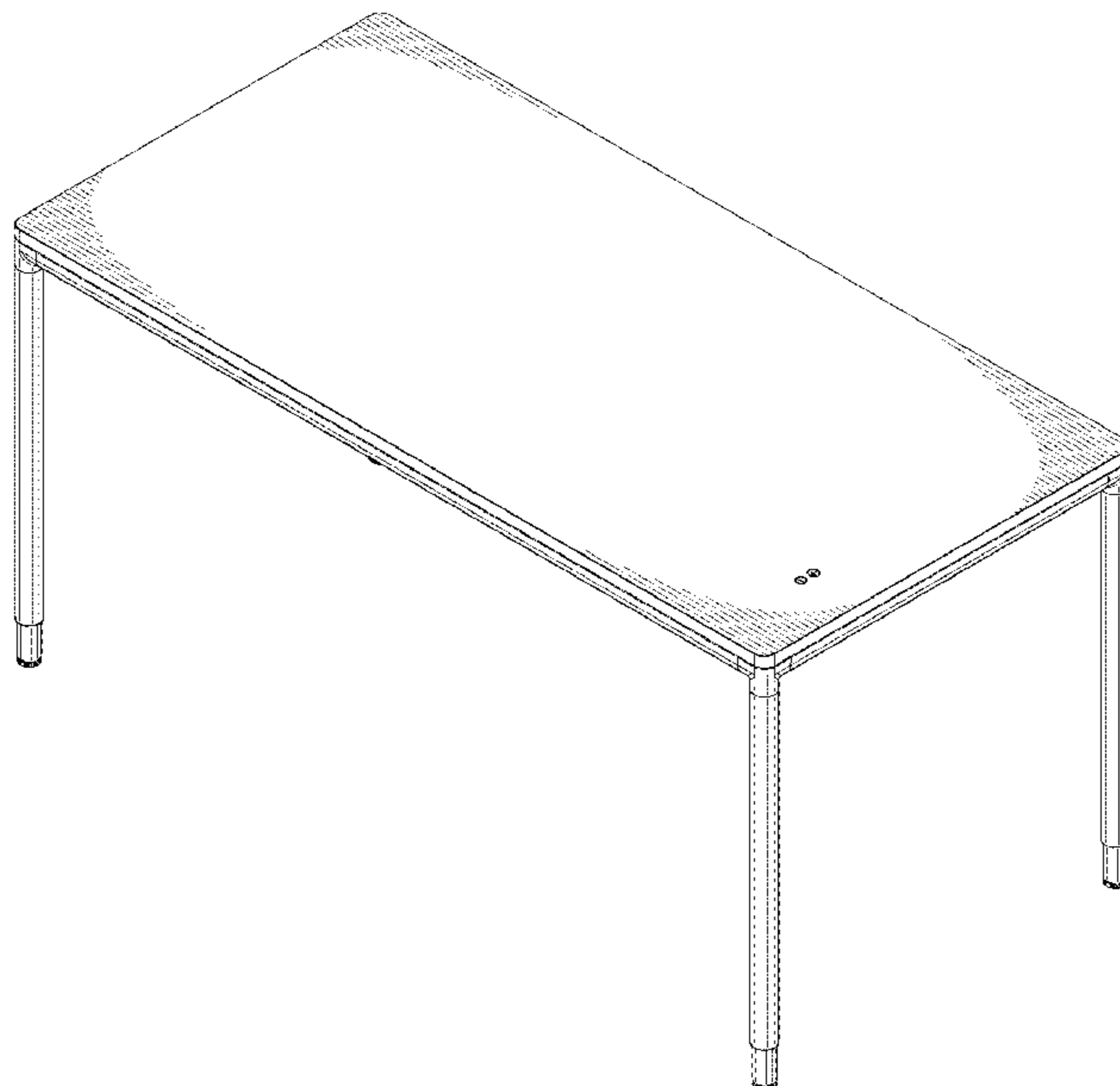
(57) **CLAIM**

The ornamental design for the adjustable height desk, as shown and described.

DESCRIPTION

FIG. 1 is a top, front perspective view of an adjustable height desk showing with my new design;
FIG. 2 is a top plan view of the adjustable height desk shown in FIG. 1;
FIG. 3 is a bottom plan view of the adjustable height desk shown in FIG. 1;
FIG. 4 is a front view of the adjustable height desk shown in FIG. 1;
FIG. 5 is a back view of the adjustable height desk shown in FIG. 1;
FIG. 6 is a left side view of the adjustable height desk shown in FIG. 1;
FIG. 7 is a right side view of the adjustable height desk shown in FIG. 1;
FIG. 8 is a bottom, back perspective view of the adjustable height desk shown in FIG. 1;
FIG. 9 is a top, front perspective view of a second embodiment of an adjustable height desk in showing with my new design;
FIG. 10 is a top plan view of the adjustable height desk shown in FIG. 9;
FIG. 11 is a bottom plan view of the adjustable height desk shown in FIG. 9;
FIG. 12 is a front view of the adjustable height desk shown in FIG. 9;
FIG. 13 is a back view of the adjustable height desk shown in FIG. 9;
FIG. 14 is a left side view of the adjustable height desk shown in FIG. 9;
FIG. 15 is a right side view of the adjustable height desk shown in FIG. 9; and,
FIG. 16 is a bottom, back perspective view of the adjustable height desk shown in FIG. 9.
The adjustable height desk is shown with a symbolic break in its length. The appearance of any portion of the article between the break lines forms no part of the claimed design.

1 Claim, 10 Drawing Sheets



(58) **Field of Classification Search**

CPC A47B 7/00; A47B 7/02; A47B 9/00; A47B
 9/10; A47B 9/20; A47B 13/00; A47B
 13/02; A47B 13/04; A47B 13/06; A47B
 13/08; A47B 13/10; A47B 13/12; A47B
 13/16; A47B 17/00; A47B 17/02; A47B
 21/00; A47B 21/02; A47B 2200/0001;
 A47B 2200/0011; A47B 2200/002; A47B
 2200/0035; A47B 2200/004; A47B
 2200/005; A47B 2200/0051; A47B
 2200/0052

See application file for complete search history.

(56)

References Cited

U.S. PATENT DOCUMENTS

6,352,037 B1 * 3/2002 Doyle A47B 9/00
 108/50.02
 D657,592 S * 4/2012 Fukasawa D6/655.18

8,245,650 B1 * 8/2012 McKsymick A47B 37/02
 108/26
 D719,767 S 12/2014 Schärer et al.
 D750,402 S 3/2016 Lin
 D772,620 S 11/2016 Dahlstrom et al.
 D776,961 S 1/2017 Yamamoto
 D786,591 S 5/2017 Grabowski et al.
 D829,475 S 10/2018 Davis et al.
 D837,573 S 1/2019 Tarkiainen
 D837,578 S 1/2019 Rundle

OTHER PUBLICATIONS

A&D Rectangle Adjustable-Height Student Desk—School Outfitters
https://www.schooloutfitters.com/catalog/product_info/pfam_id/PFAM48409/products_id/PRO64340?sc_cid=Google_PAR-AND-AH2060REC-24-34H&adtype=pla&kw=&gclid=EAlalQobChMI2a6S4ay_-AIVtjizAB0prAMWEAsYBiABEgLocvD_BwE
 retrieved from the internet on Jun. 21, 202.*

* cited by examiner

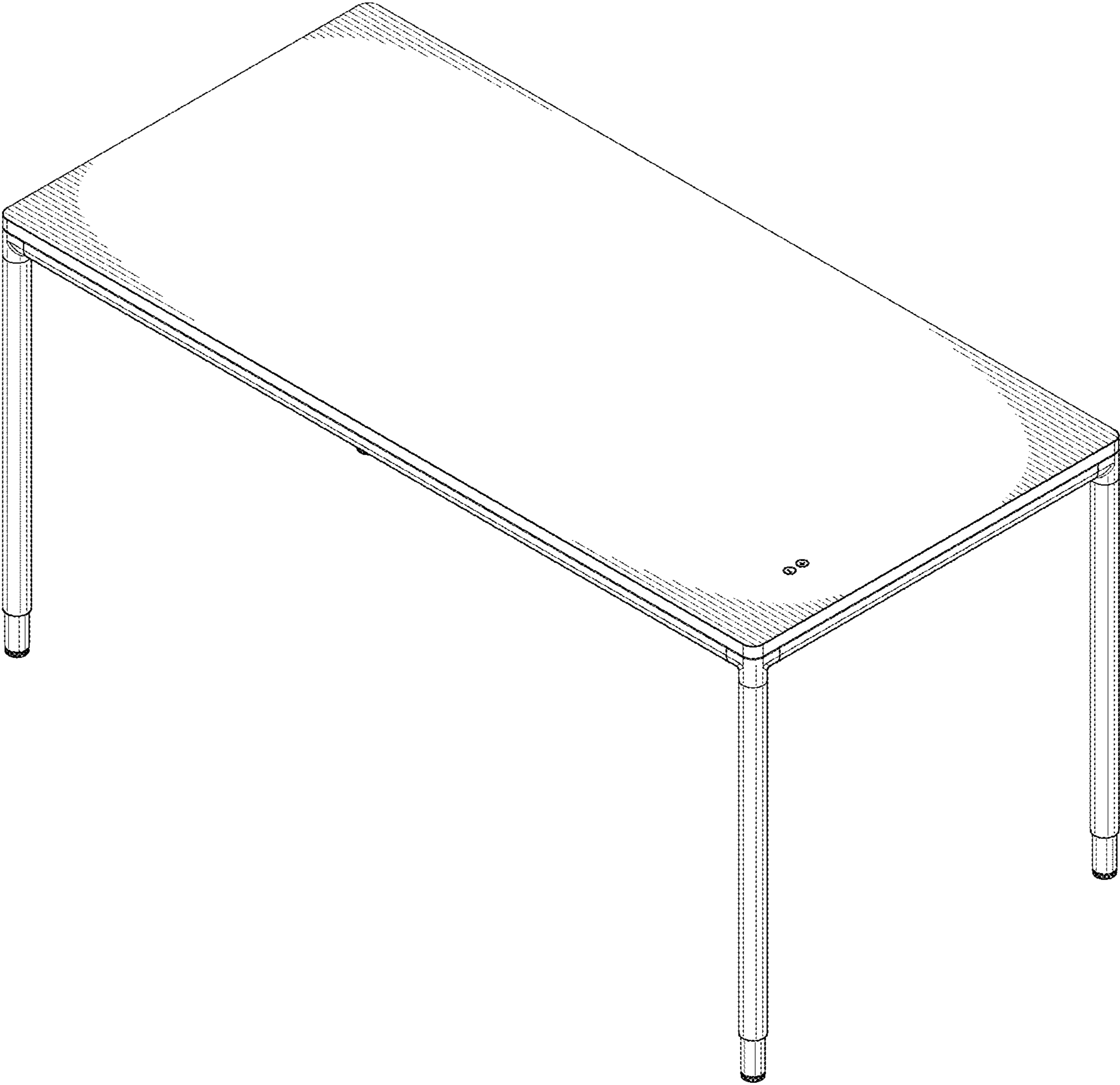


Fig. 1.

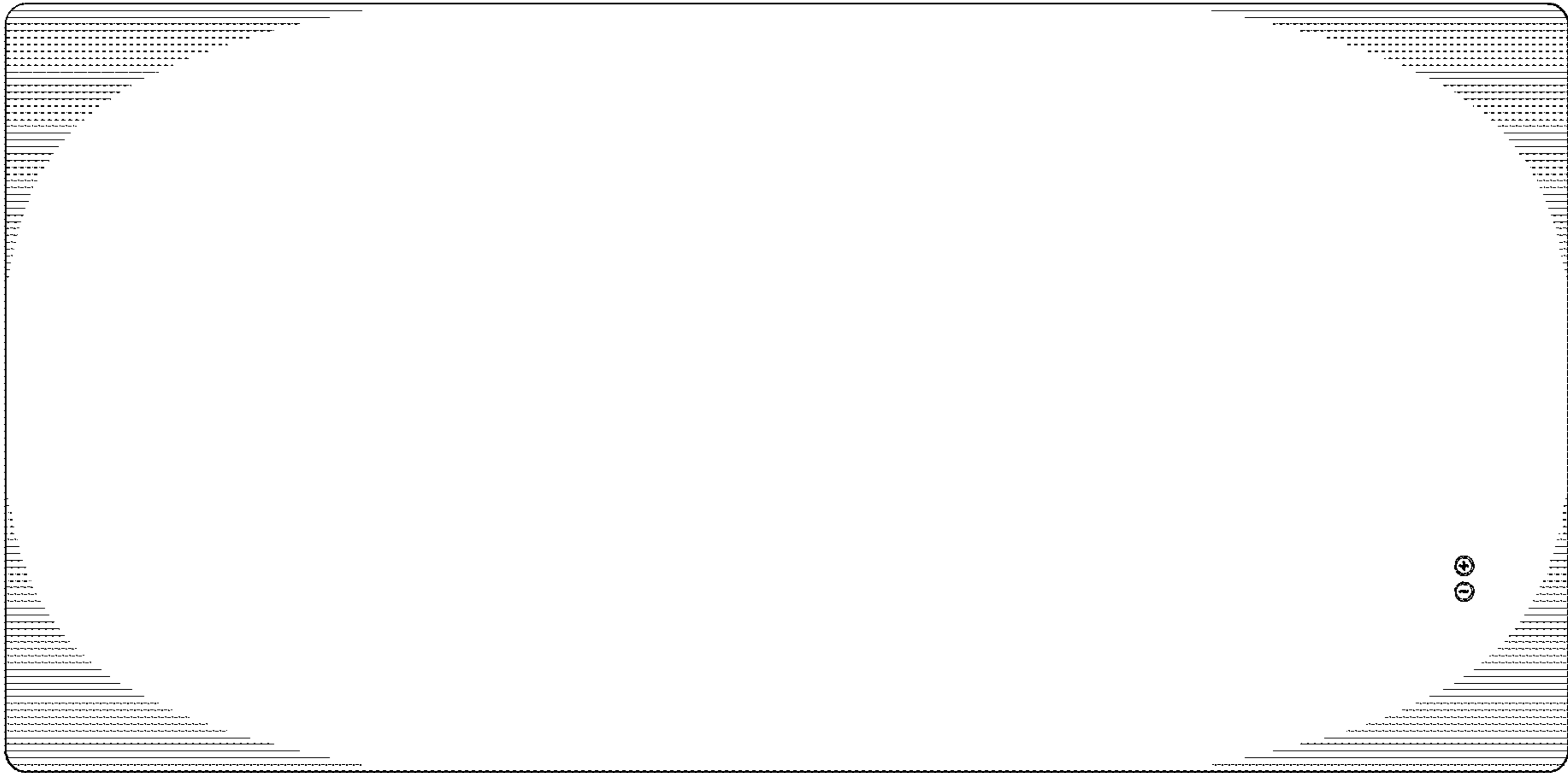


Fig. 2.



Fig. 3.



Fig. 4.



Fig. 5.

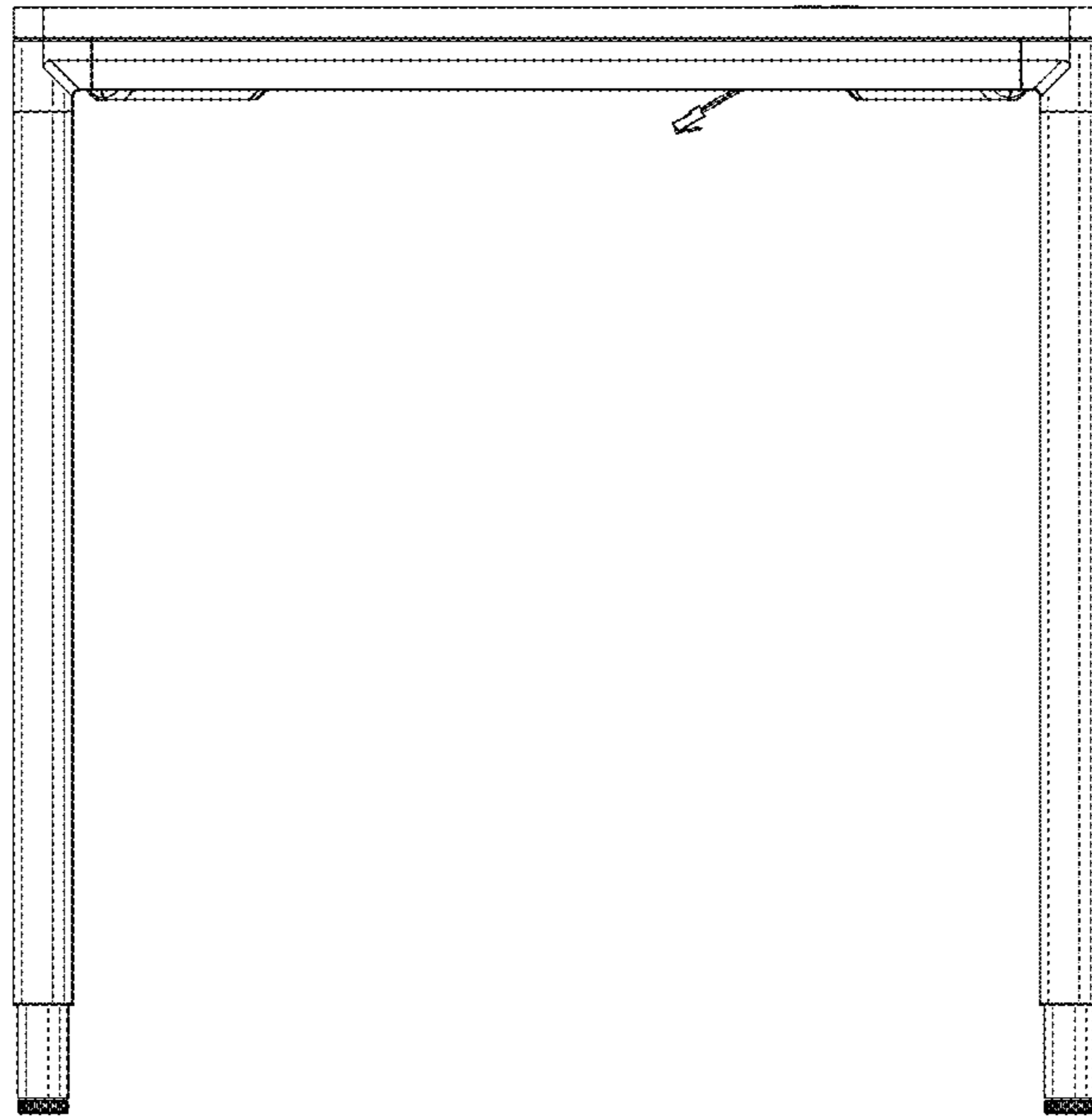


Fig. 6.

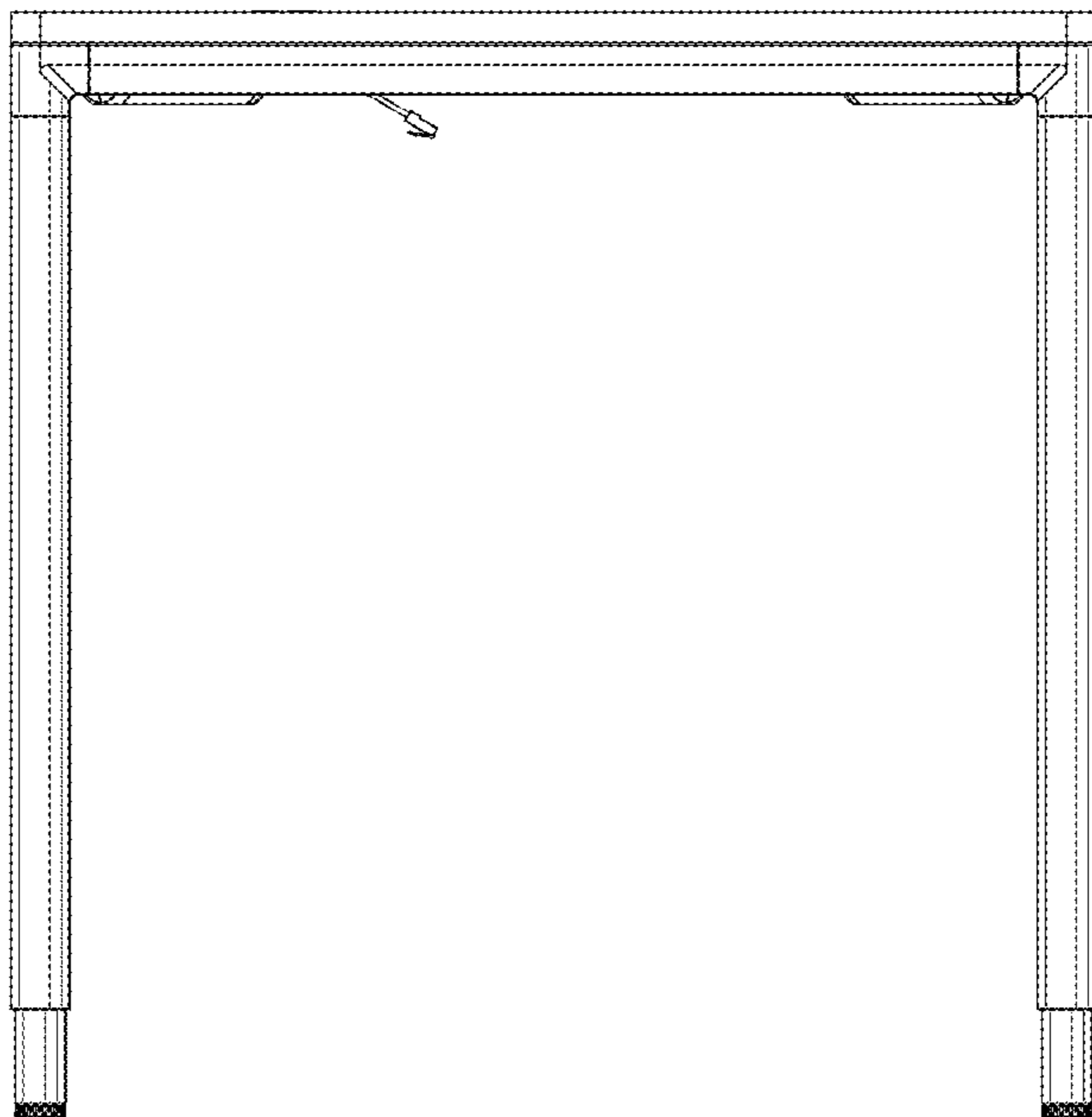


Fig. 7.

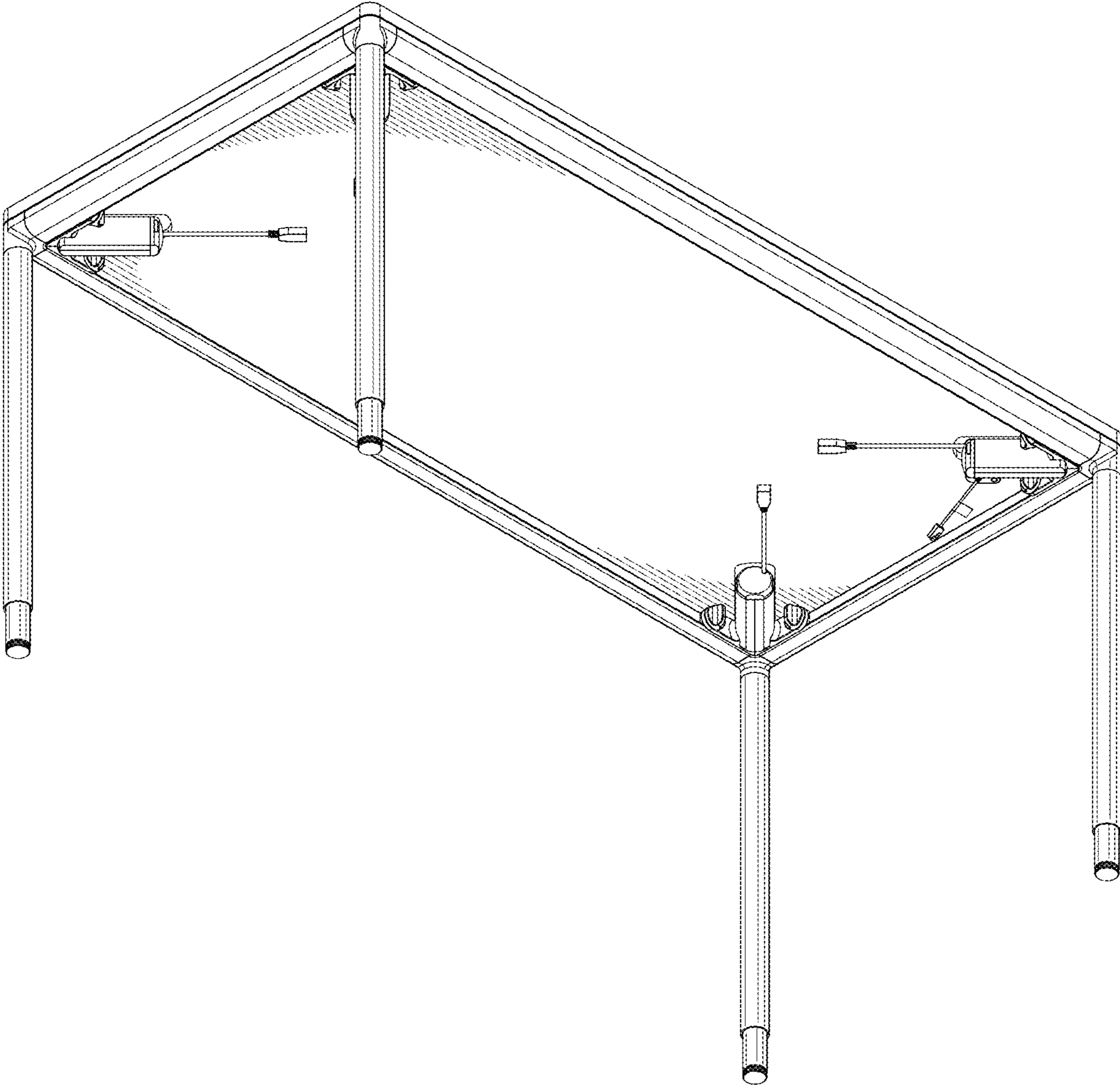


Fig. 8.

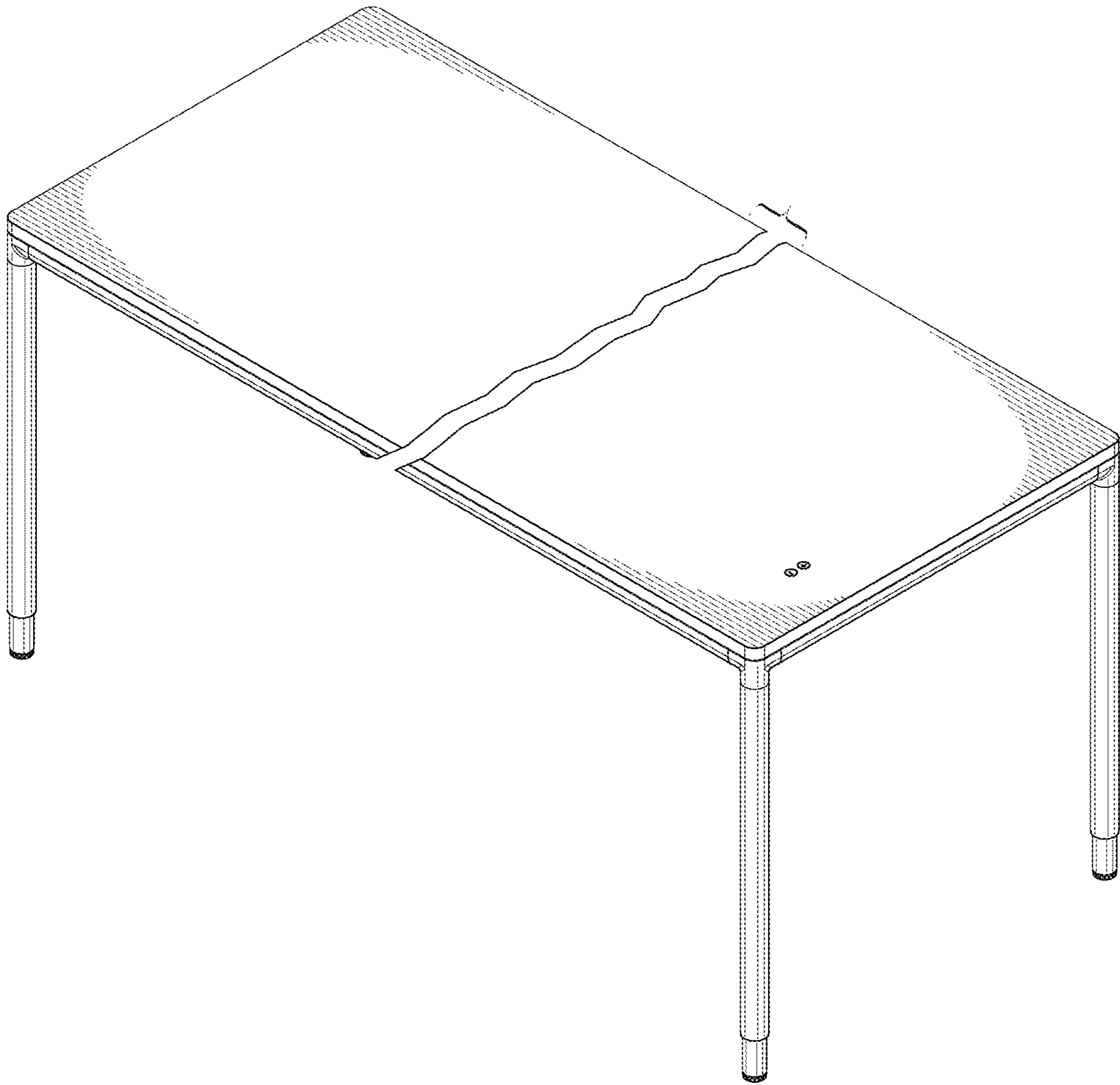


Fig. 9.

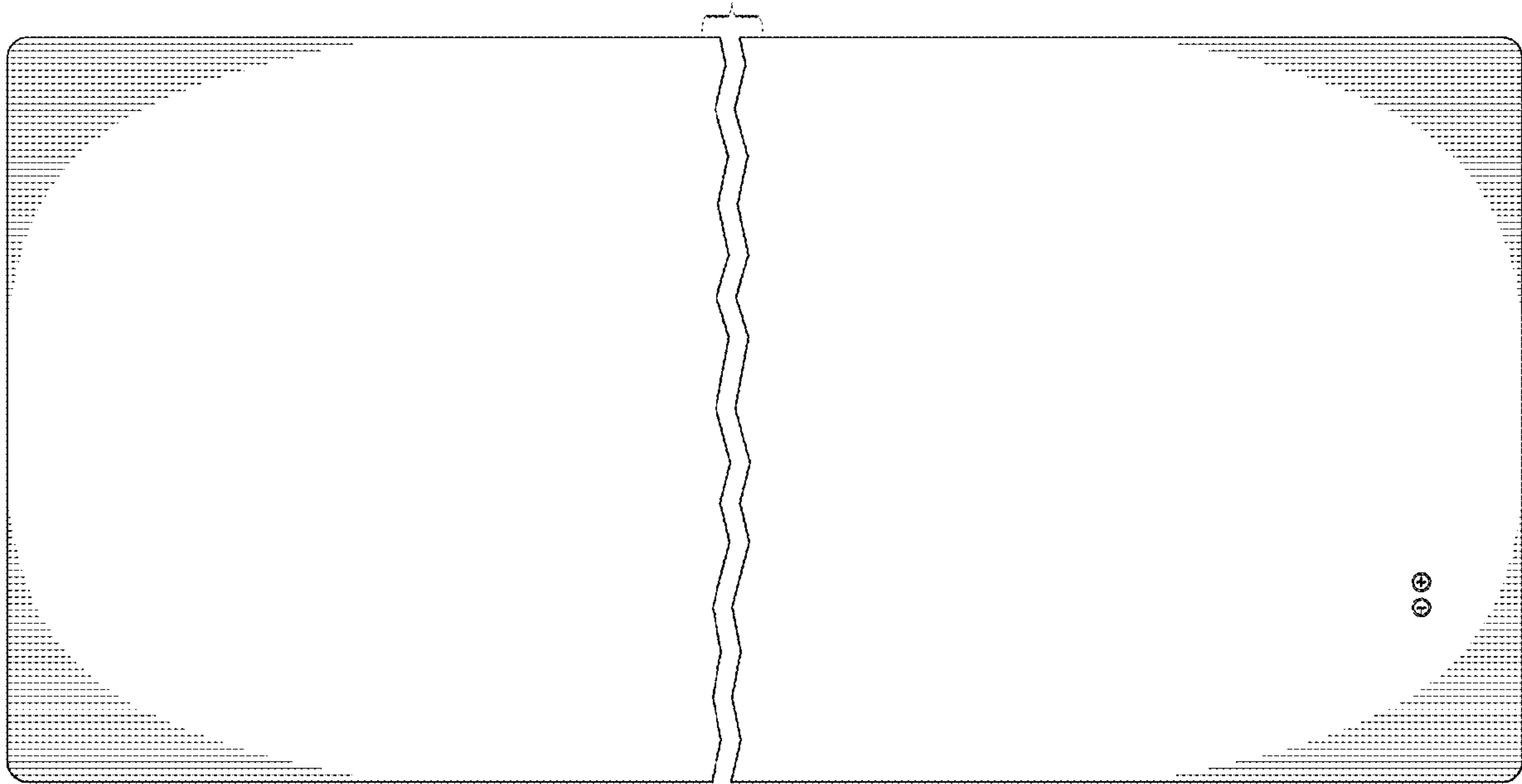


Fig. 10.

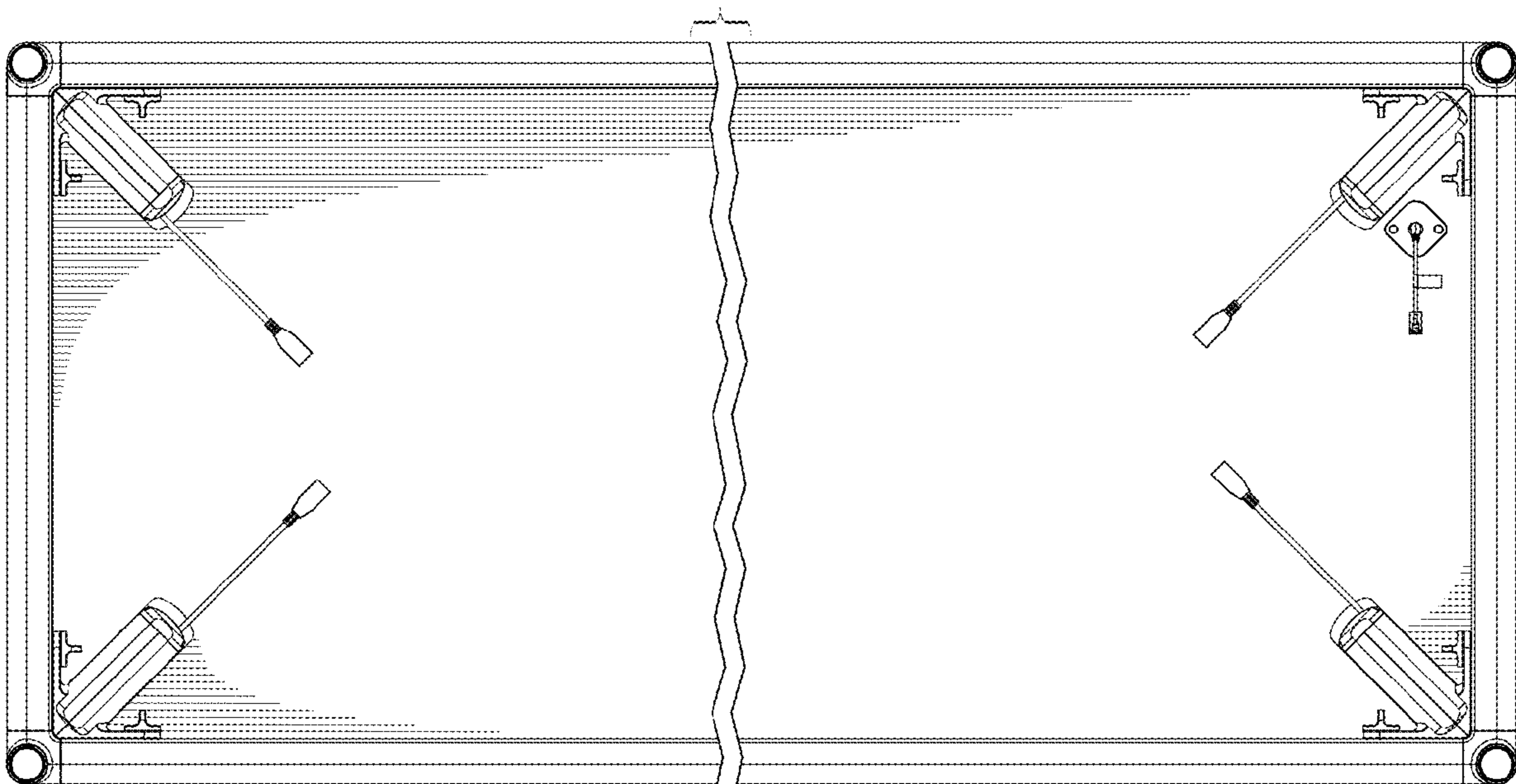


Fig. 11.

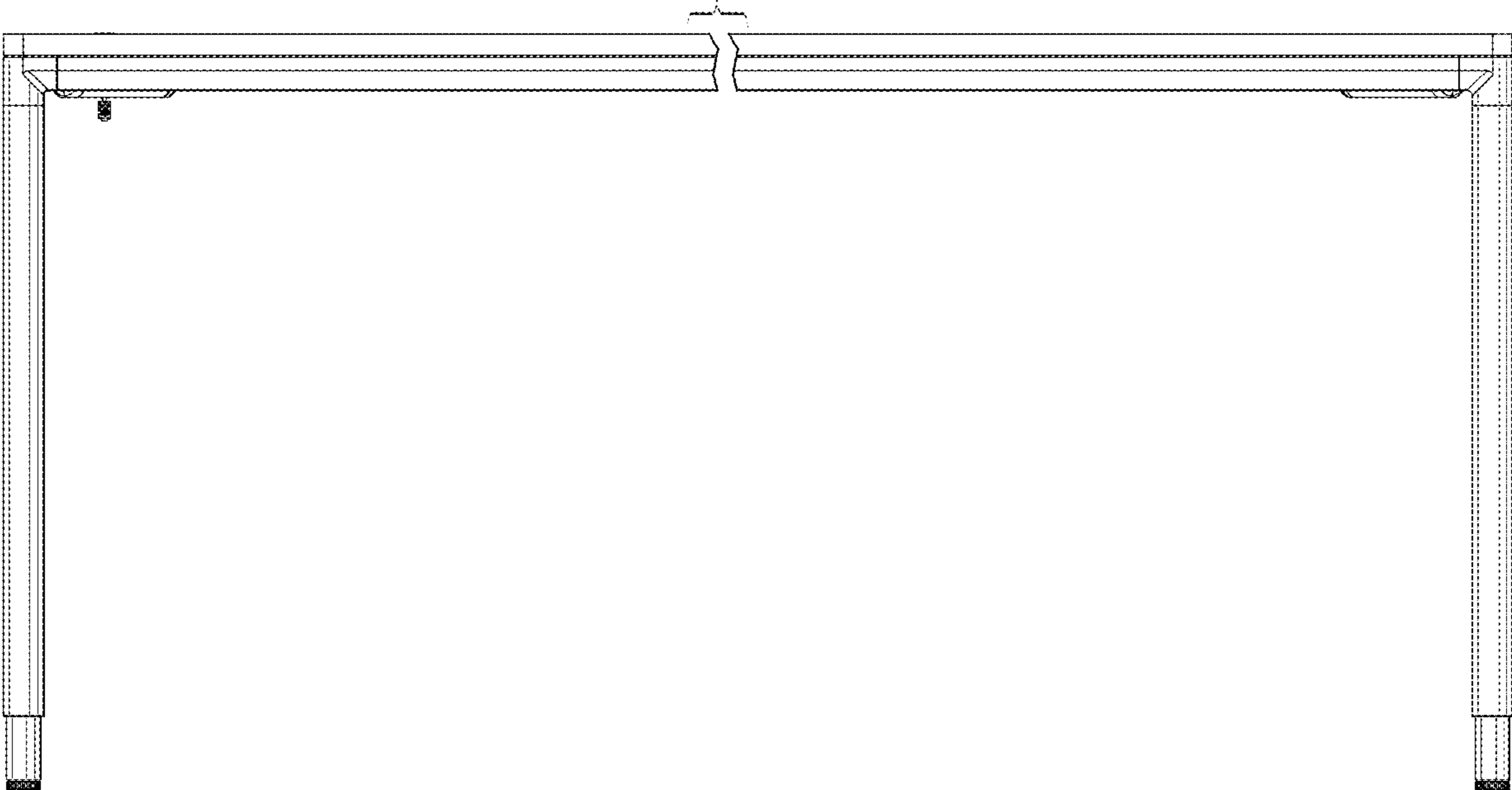


Fig. 12.

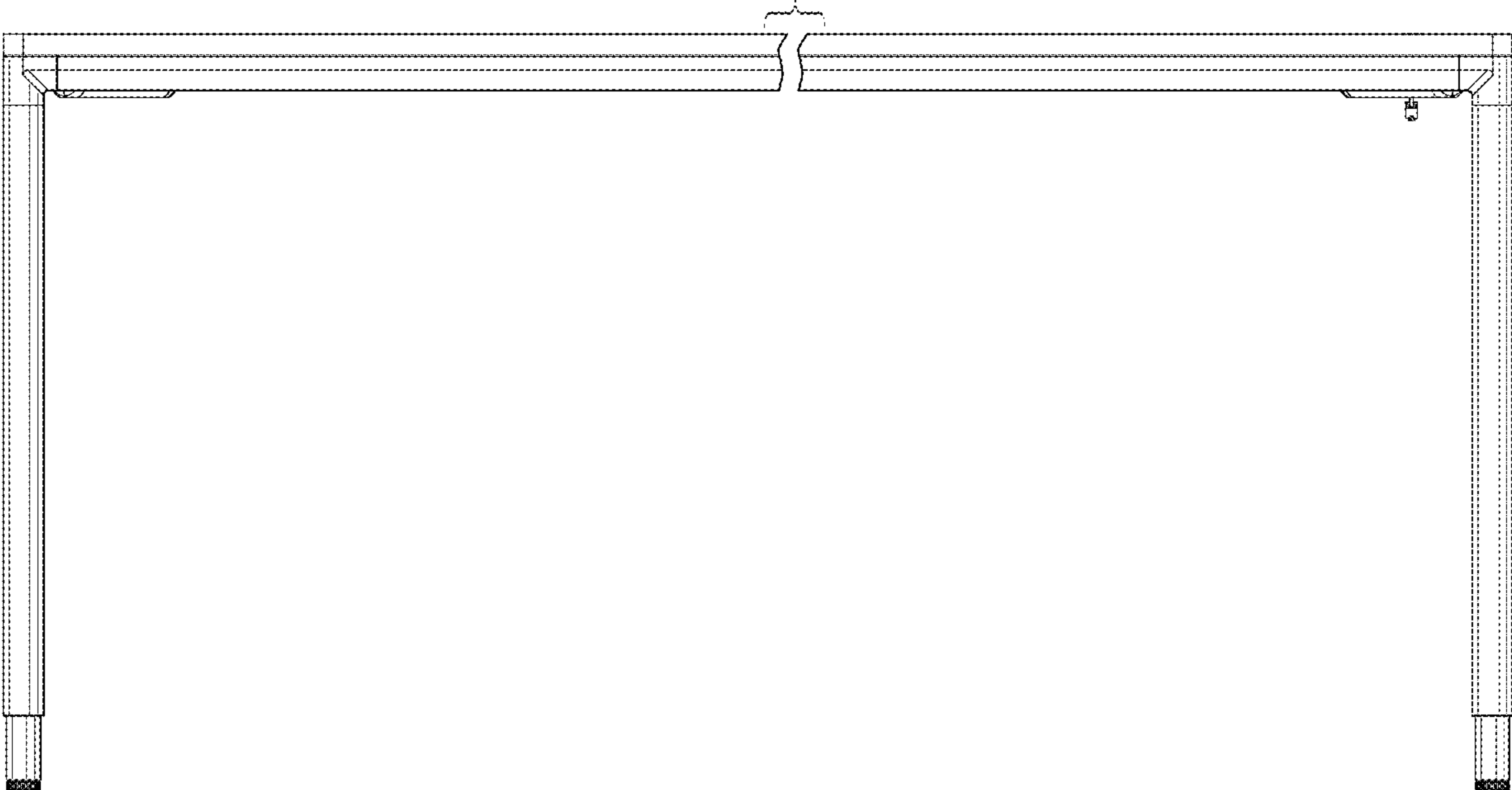


Fig. 13.

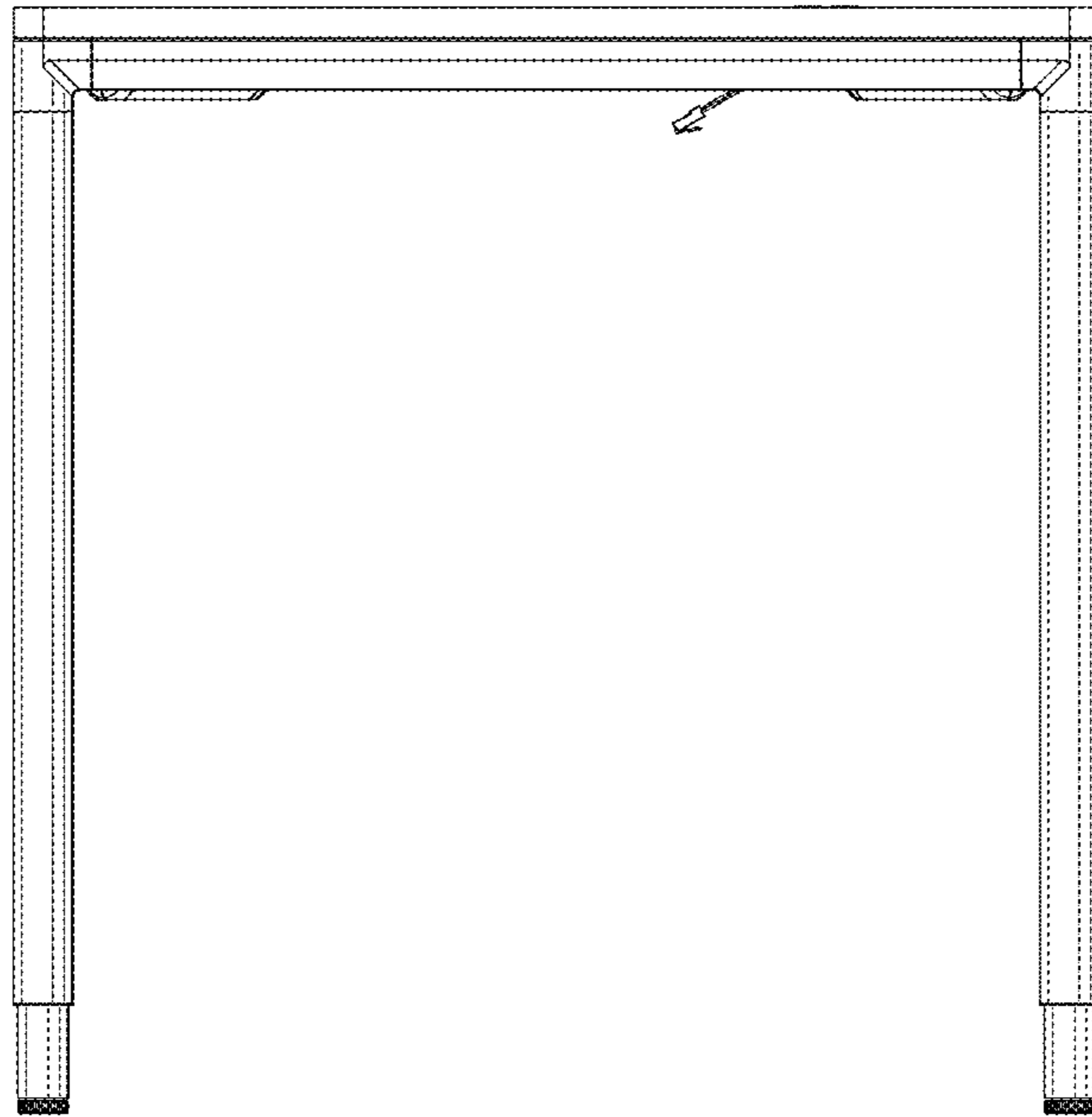


Fig. 14.

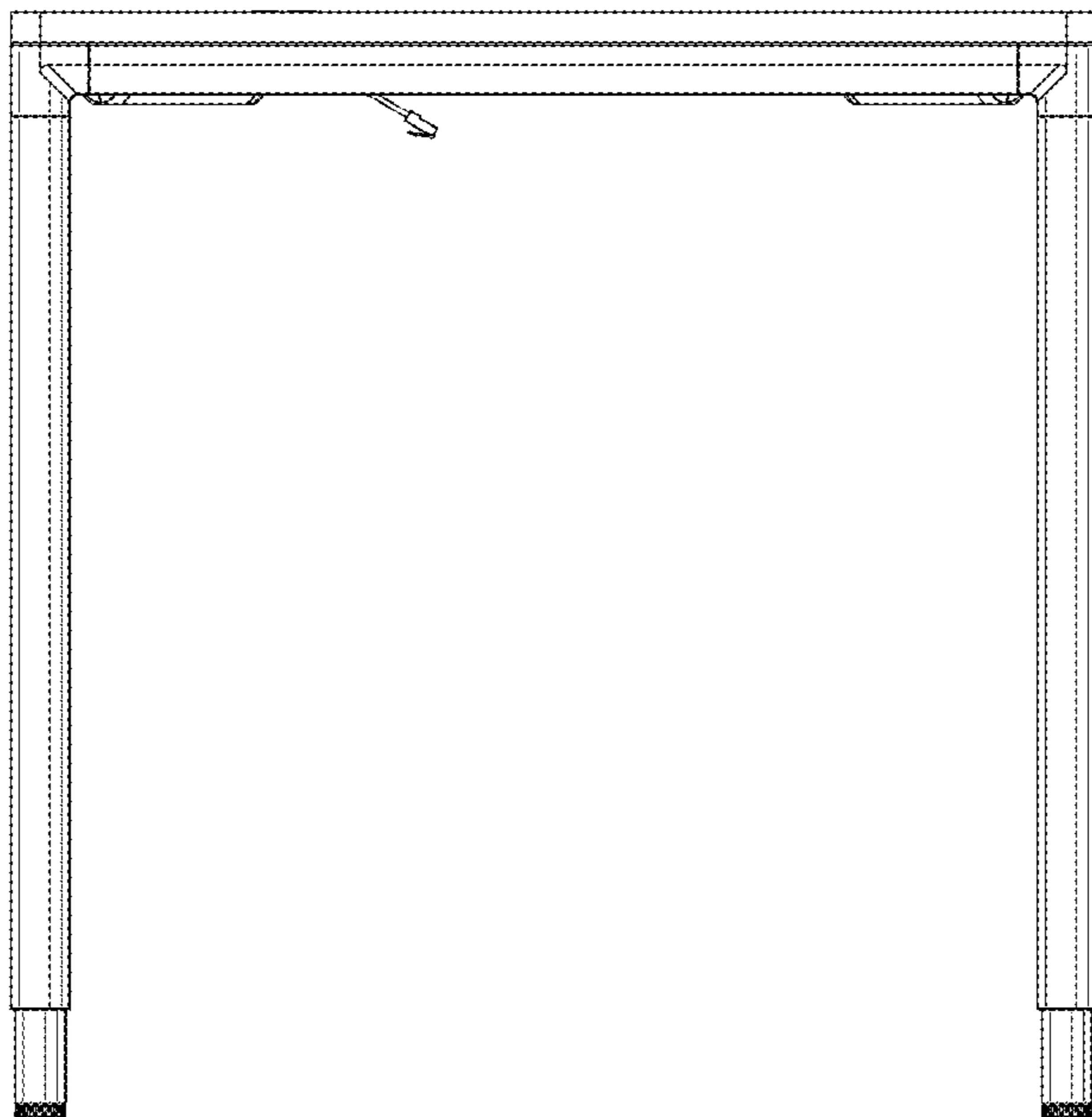


Fig. 15.

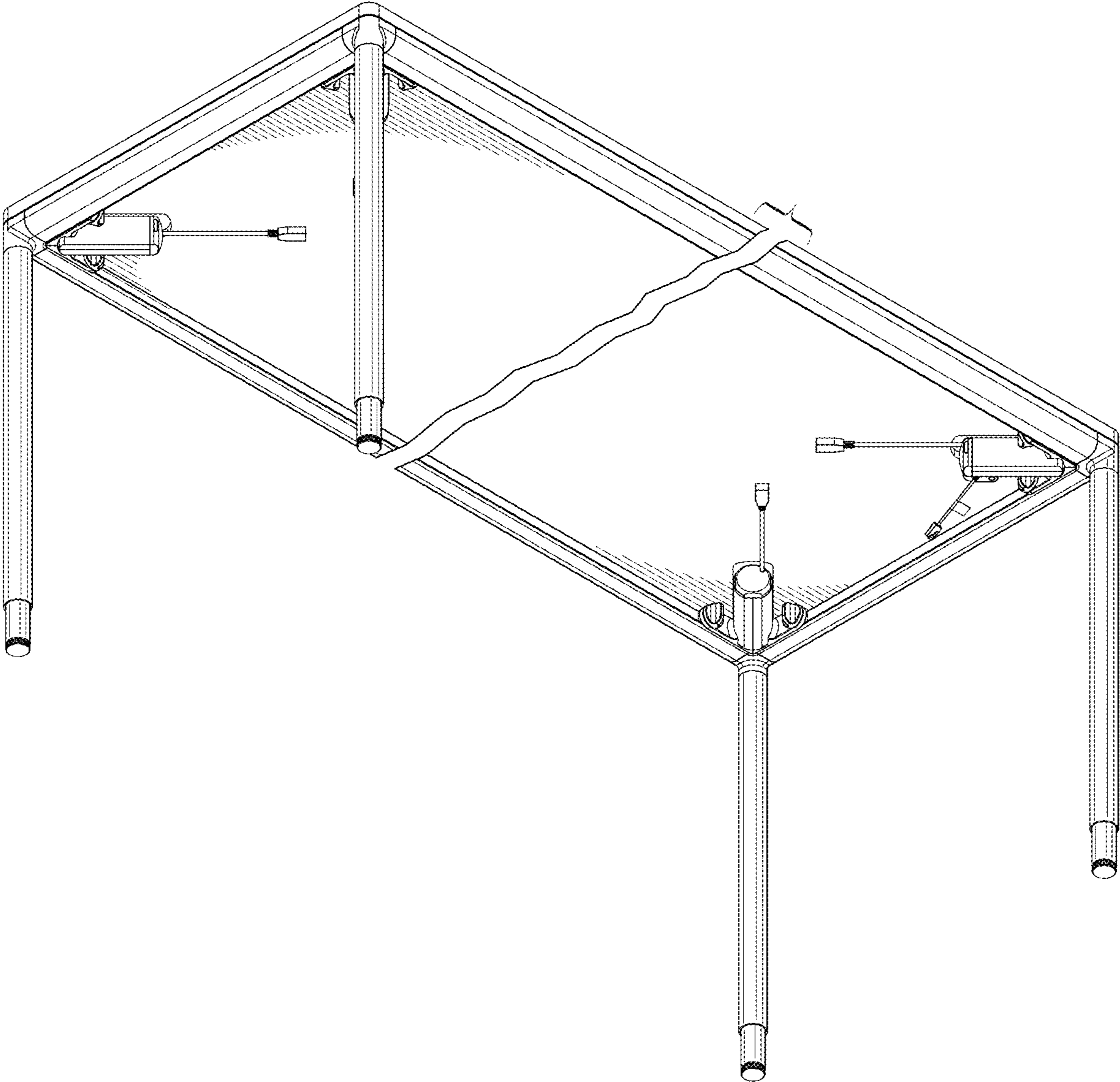


Fig. 16.