



US00D973395S

(12) **United States Design Patent** (10) **Patent No.:** **US D973,395 S**  
**Wu** (45) **Date of Patent:** **\*\* Dec. 27, 2022**

(54) **FIRE PIT COVER**

(71) Applicant: **Shenzhen Pomer Technology Co., Ltd.**, Shenzhen (CN)

(72) Inventor: **Wanjia Wu**, Shenzhen (CN)

(73) Assignee: **Shenzhen Pomer Technology Co., Ltd.**, Shenzhen (CN)

(\*\*) Term: **15 Years**

(21) Appl. No.: **29/765,217**

(22) Filed: **Jan. 6, 2021**

(51) **LOC (13) Cl.** ..... **06-13**

(52) **U.S. Cl.**

USPC ..... **D6/610; D7/402**

(58) **Field of Classification Search**

USPC ..... D23/314, 317, 332, 335, 336, 339, 341, D23/343, 342, 344, 347, 348, 350, 356, D23/370, 378, 381, 382, 383, 386, 403, D23/411, 417, 420; D7/391, 402-403; D6/610, 683

CPC ..... F24H 1/205; F24H 9/2021; F24H 1/40; F24H 3/0429; F24B 1/181; F24B 1/1808; F24B 13/008

See application file for complete search history.

(56) **References Cited**

**U.S. PATENT DOCUMENTS**

- D280,438 S \* 9/1985 Wendt ..... D24/204
- D290,678 S \* 7/1987 Johnson ..... D7/387
- D340,613 S \* 10/1993 Kesling ..... D7/337
- 5,967,357 A \* 10/1999 Kellogg ..... A45C 7/0077
- 220/9.2
- D487,347 S \* 3/2004 Felsenthal ..... D3/305
- D729,914 S \* 5/2015 Kinchen ..... D23/332
- D757,238 S \* 5/2016 Horsfield ..... D23/343
- D858,144 S \* 9/2019 Fu ..... D6/610
- D863,485 S \* 10/2019 VanNatta ..... D21/811
- D912,985 S \* 3/2021 Kraemer ..... D6/683
- D921,361 S \* 6/2021 Kraemer ..... D3/273

- D945,580 S \* 3/2022 Li ..... D23/339
  - 2009/0107483 A1 \* 4/2009 Fitzgerald ..... F24B 1/181
  - 126/519
  - 2017/0013999 A1 \* 1/2017 Horsfield ..... A47J 37/0763
- (Continued)

**OTHER PUBLICATIONS**

“Gas Fire Pit Cover Square—Premium Patio Outdoor Cover Heavy Duty Fabric with PVC Coating,100% Waterproof,Anti-Crack,Fits for 30 inch,31 inch,32 inch Fire Pit / Table Cover (32"L x 32"W x 24"H,Black)”,[https://www.amazon.com/Gas-Fire-Pit-Cover-Square/dp/B07MBXCDFW/ref=pd\\_day0fbt\\_img\\_scc1\\_1/135-6185480-7386549?pd\\_rd\\_w=Yq1IT&content-id=amzn1.sym.28060bf9-0745-4e32-a449-e95381c8ca7a&pf\\_rd\\_p=28060bf9-0745-4e32-a449-e95381c8ca7a&pf\\_rd\\_r=E0DW4J71R6BMW3CWGHC1&pd\\_rd\\_wg=6w0bX&pd\\_rd\\_r=6489cdc4-ae54-40ab-8338-b1f02f88c6a7&pd\\_rd\\_i=B07MBXCDFW&th=1](https://www.amazon.com/Gas-Fire-Pit-Cover-Square/dp/B07MBXCDFW/ref=pd_day0fbt_img_scc1_1/135-6185480-7386549?pd_rd_w=Yq1IT&content-id=amzn1.sym.28060bf9-0745-4e32-a449-e95381c8ca7a&pf_rd_p=28060bf9-0745-4e32-a449-e95381c8ca7a&pf_rd_r=E0DW4J71R6BMW3CWGHC1&pd_rd_wg=6w0bX&pd_rd_r=6489cdc4-ae54-40ab-8338-b1f02f88c6a7&pd_rd_i=B07MBXCDFW&th=1), Review date Jul. 31, 2019, retrieved Jun. 22, 2022 (Year: 2019).\*

(Continued)

*Primary Examiner* — Amy C Wierenga  
*Assistant Examiner* — Andrea Marie McKay  
(74) *Attorney, Agent, or Firm* — ScienBiziP, P.C.

(57) **CLAIM**

The ornamental design for a fire pit cover, as shown and described.

**DESCRIPTION**

FIG. 1 is a front perspective view of a fire pit cover, showing my design.

FIG. 2 is a rear perspective view thereof.

FIG. 3 is a front elevation view thereof.

FIG. 4 is a rear elevation view thereof.

FIG. 5 is a left side elevation view thereof.

FIG. 6 is a right side elevation view thereof.

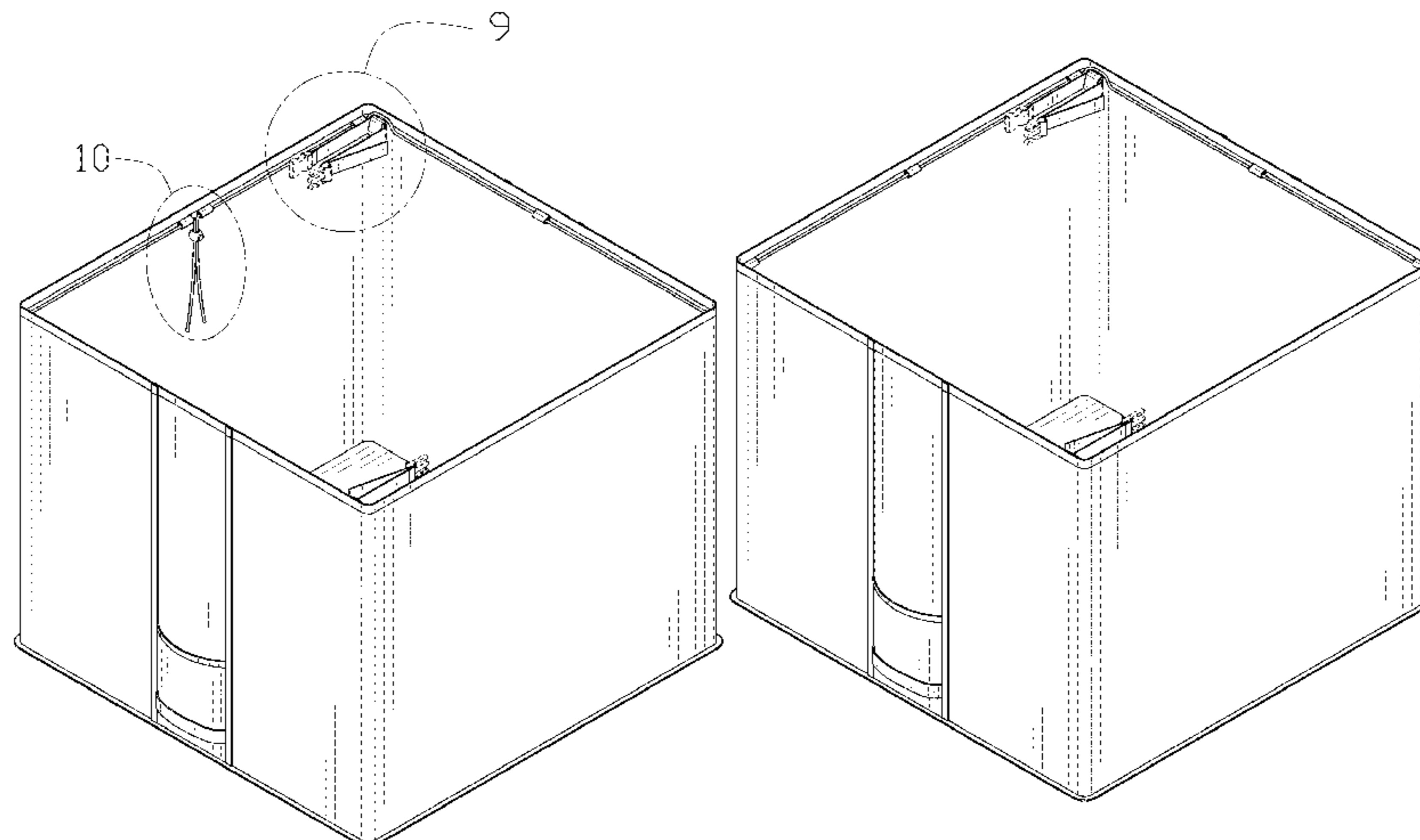
FIG. 7 is a top plan view thereof.

FIG. 8 is a bottom plan view thereof.

FIG. 9 is an enlarged detail view of area 9 in FIG. 1; and,

FIG. 10 is an enlarged detail view of area 10 in FIG. 1.

(Continued)



The broken lines in the drawings depict portions of the fire pit cover that form no part of the claimed design.

**1 Claim, 10 Drawing Sheets**

(56) **References Cited**

U.S. PATENT DOCUMENTS

2022/0178545 A1\* 6/2022 Hale ..... F24B 1/195

OTHER PUBLICATIONS

“Porch Shield Fire Pit Cover—Waterproof 600D Heavy Duty Square Patio Fire Pit Table Cover Black—32 × 32 inch”, [https://www.amazon.com/Porch-Shield-Fire-Pit-Cover/dp/B07HRCM285/ref=psdc\\_3480670011\\_t1\\_B07MBXCDFW?th=1](https://www.amazon.com/Porch-Shield-Fire-Pit-Cover/dp/B07HRCM285/ref=psdc_3480670011_t1_B07MBXCDFW?th=1), review date Dec. 3, 2018, retrieved Jun. 22, 2022 (Year: 2018).\*

\* cited by examiner

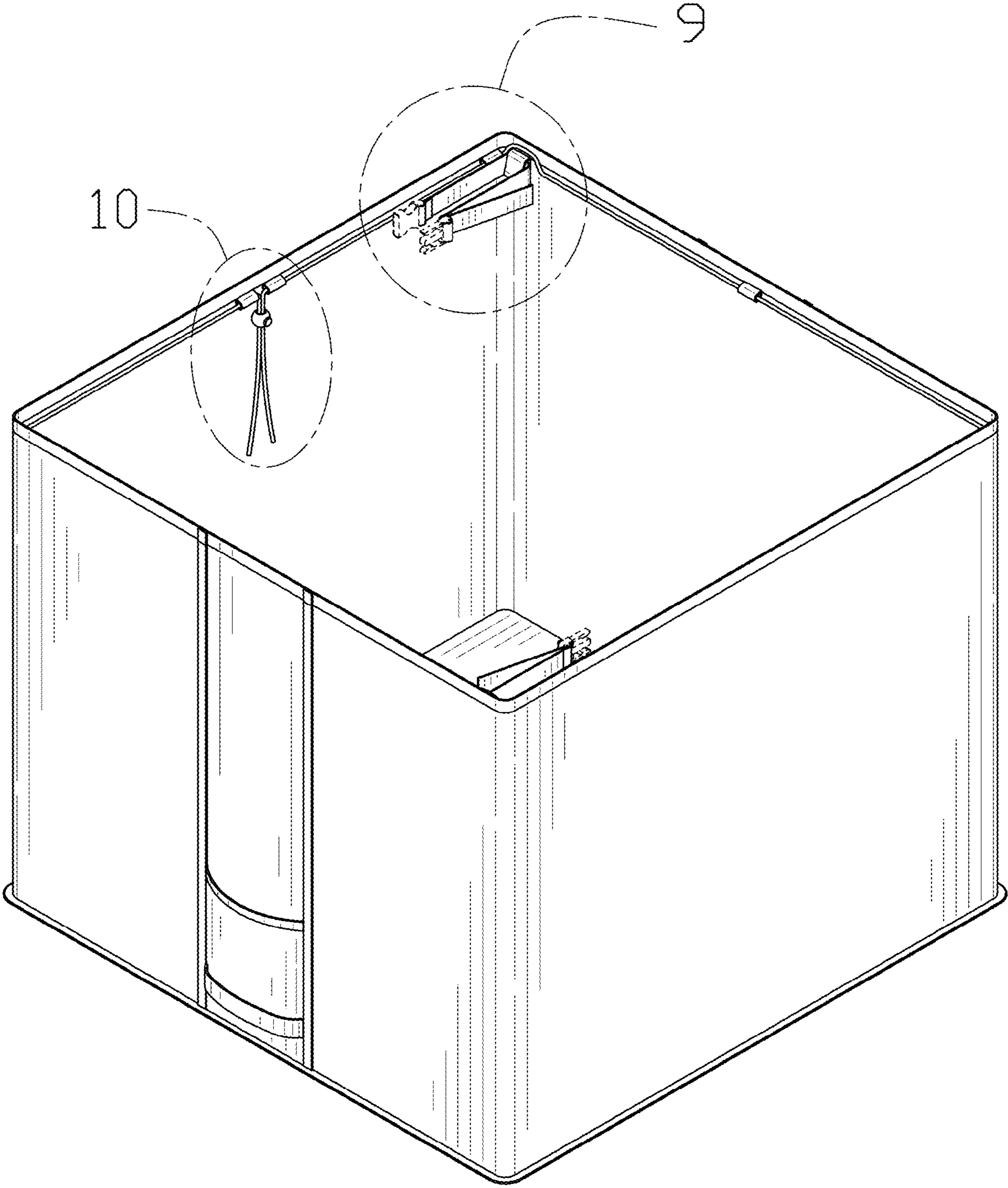


FIG. 1

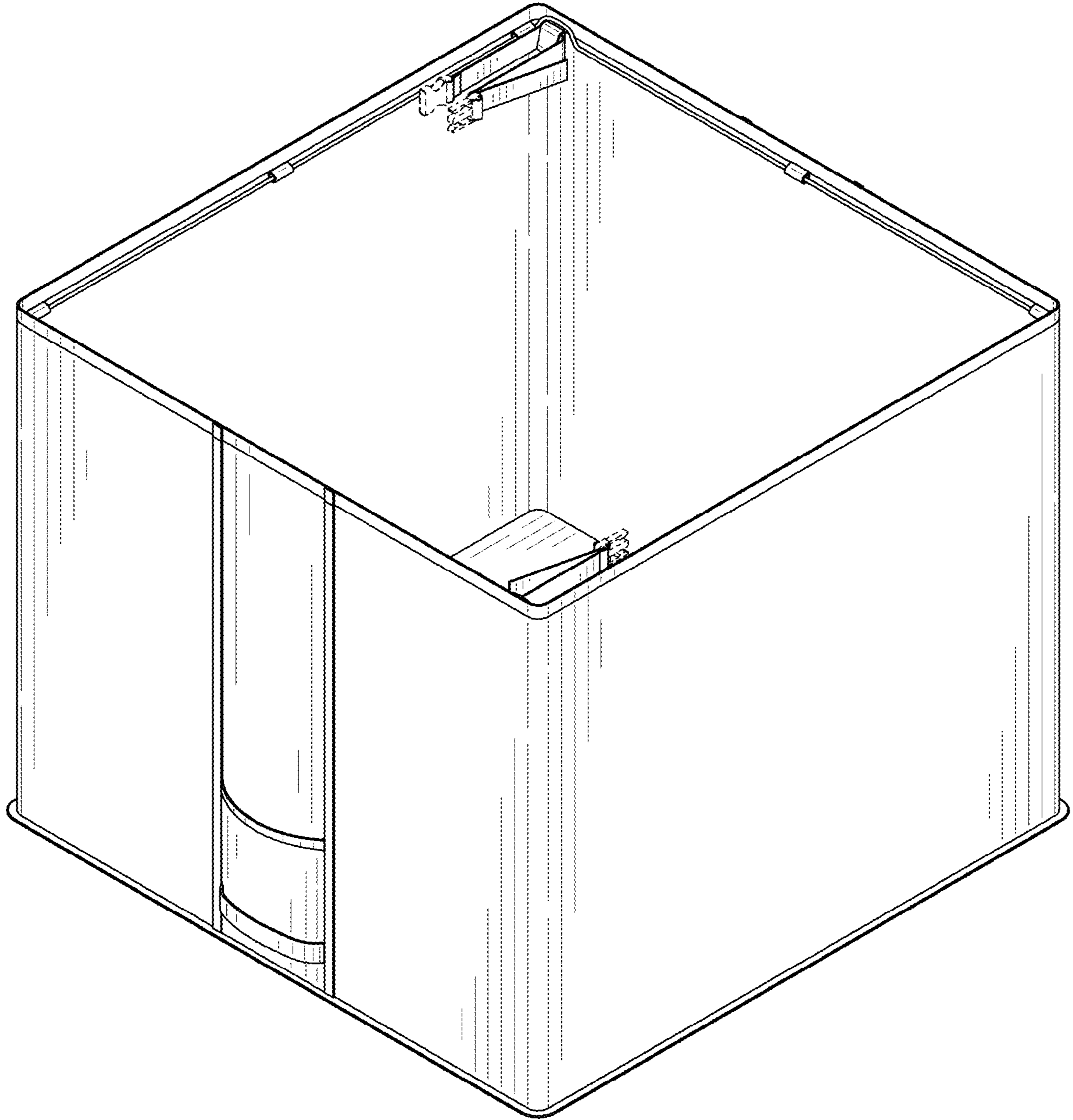


FIG. 2

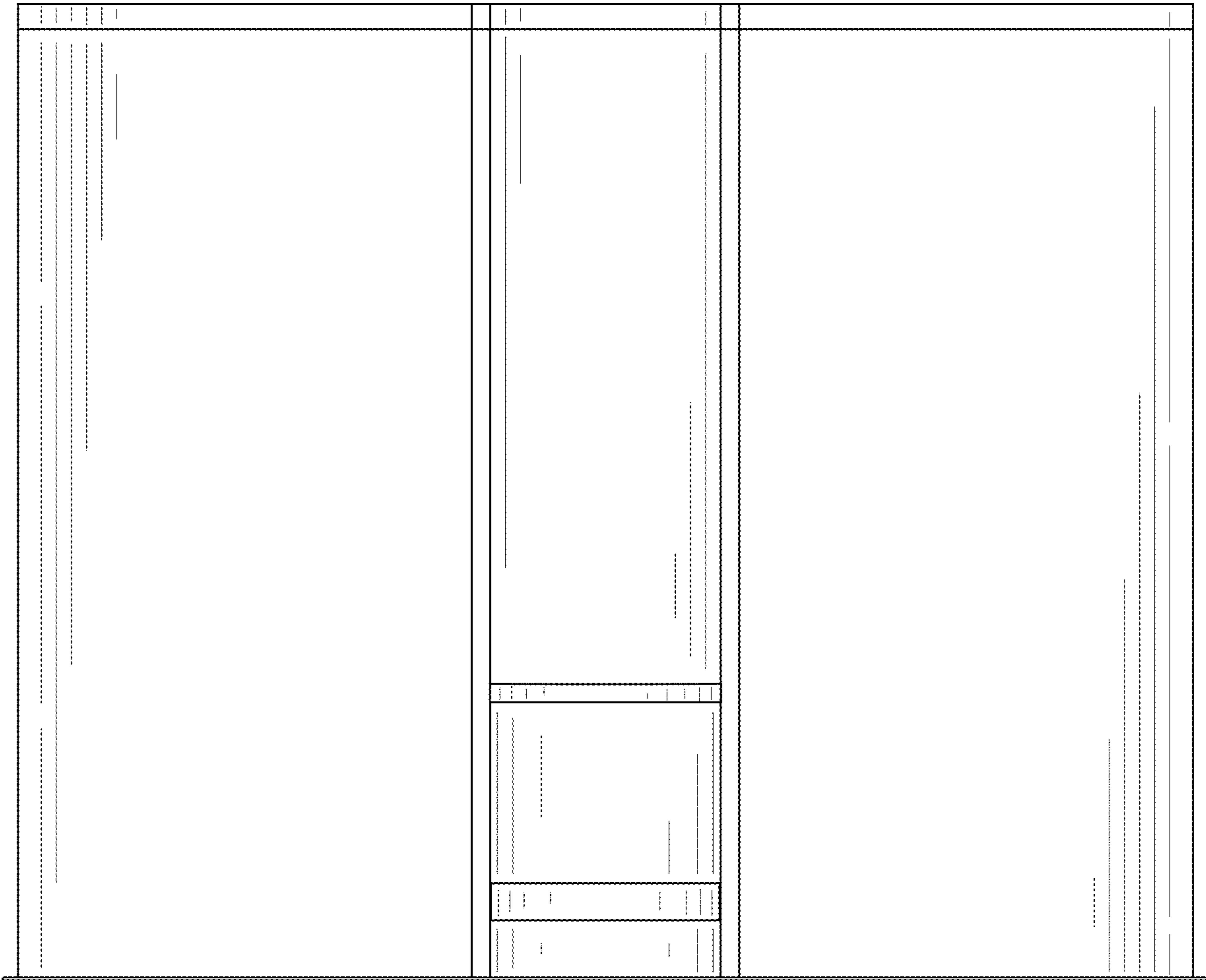


FIG. 3

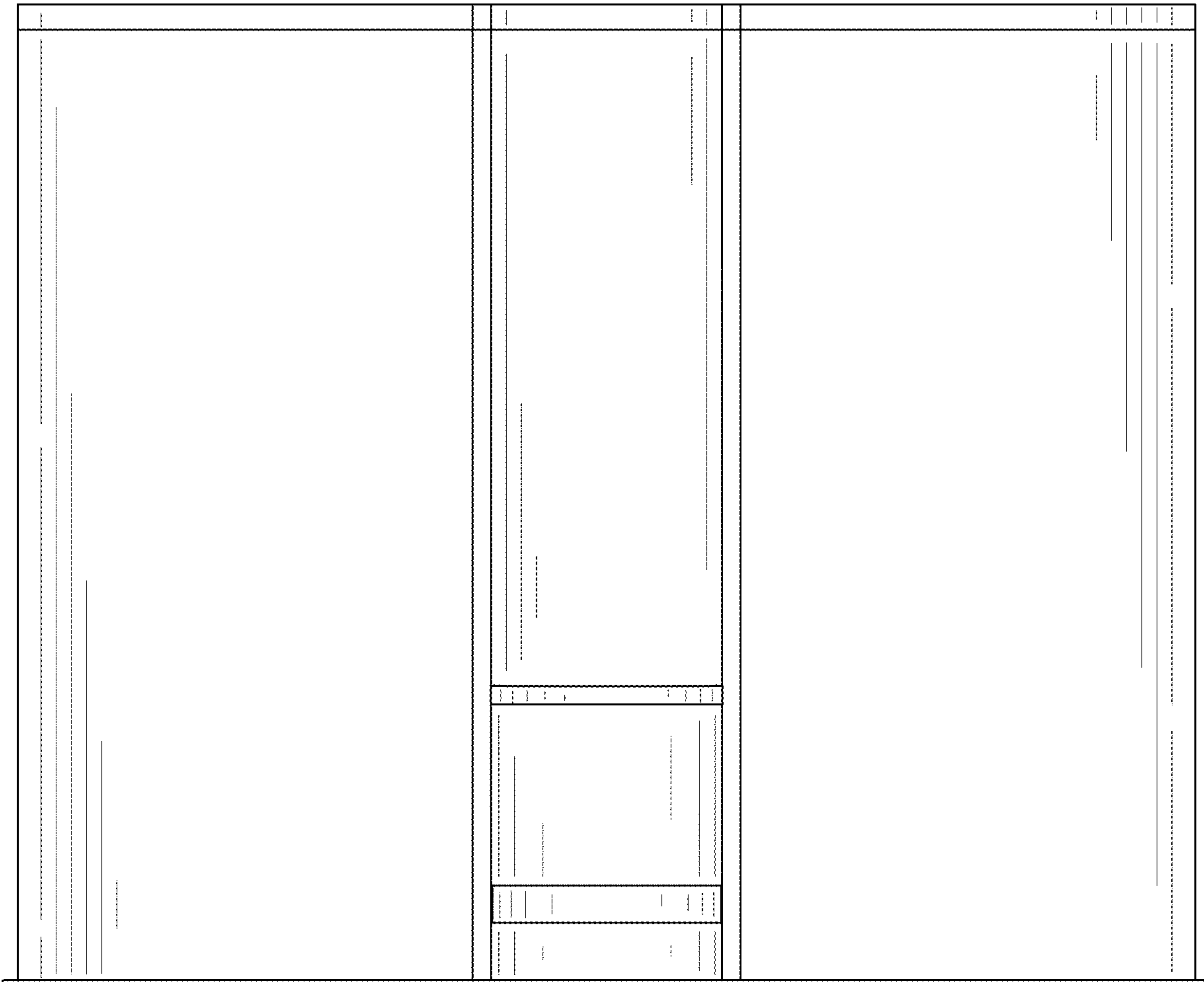


FIG. 4

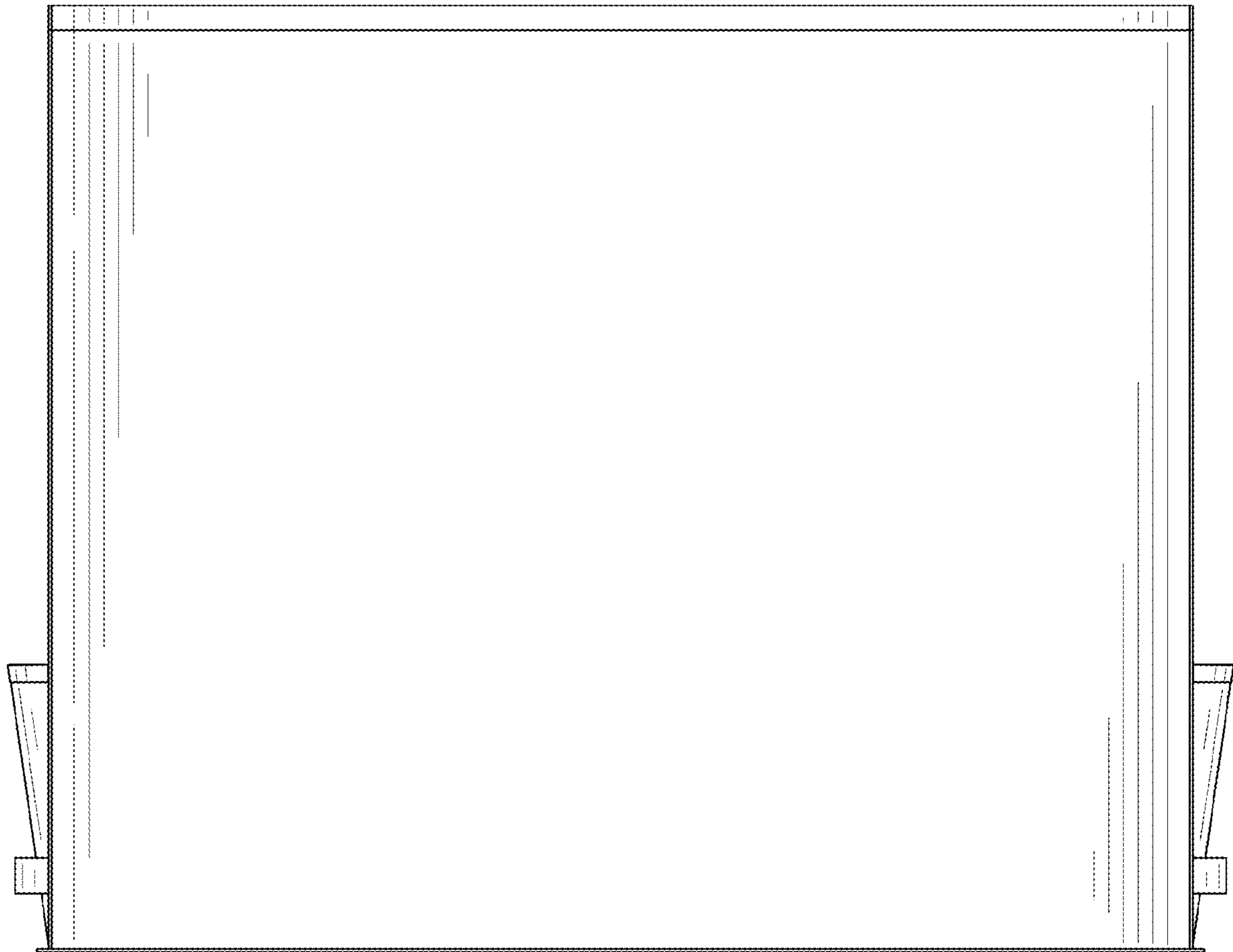


FIG. 5

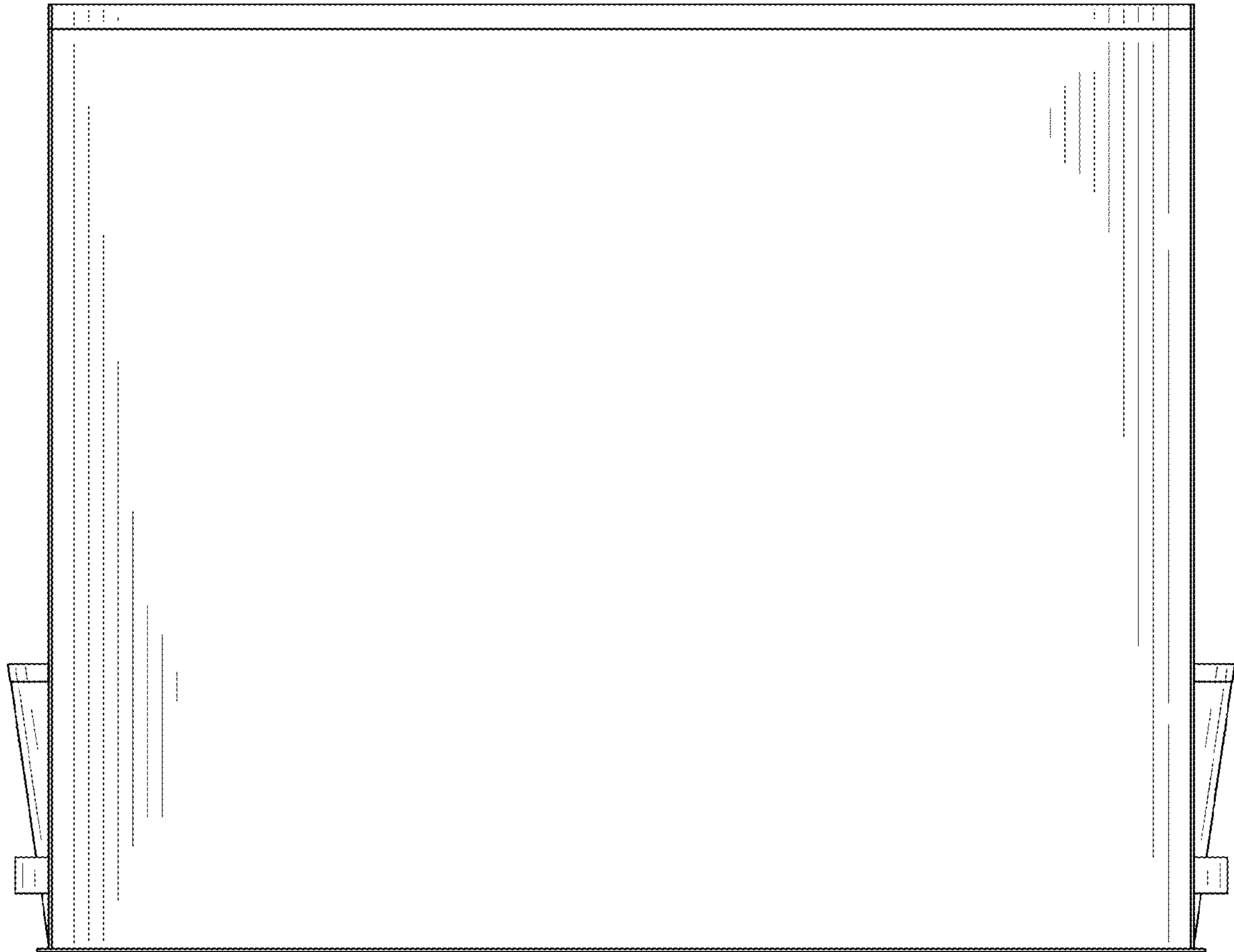


FIG. 6



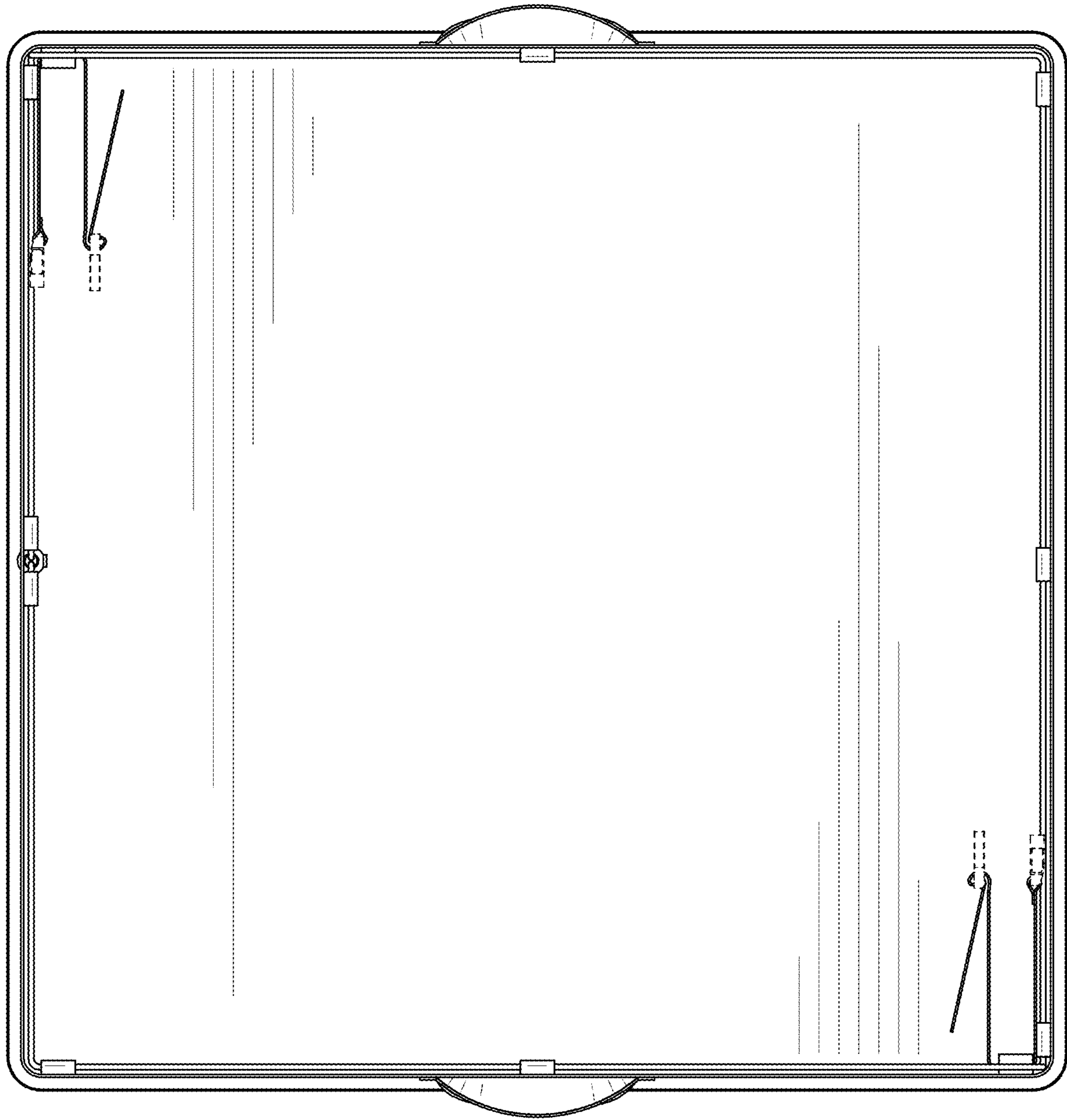


FIG. 7

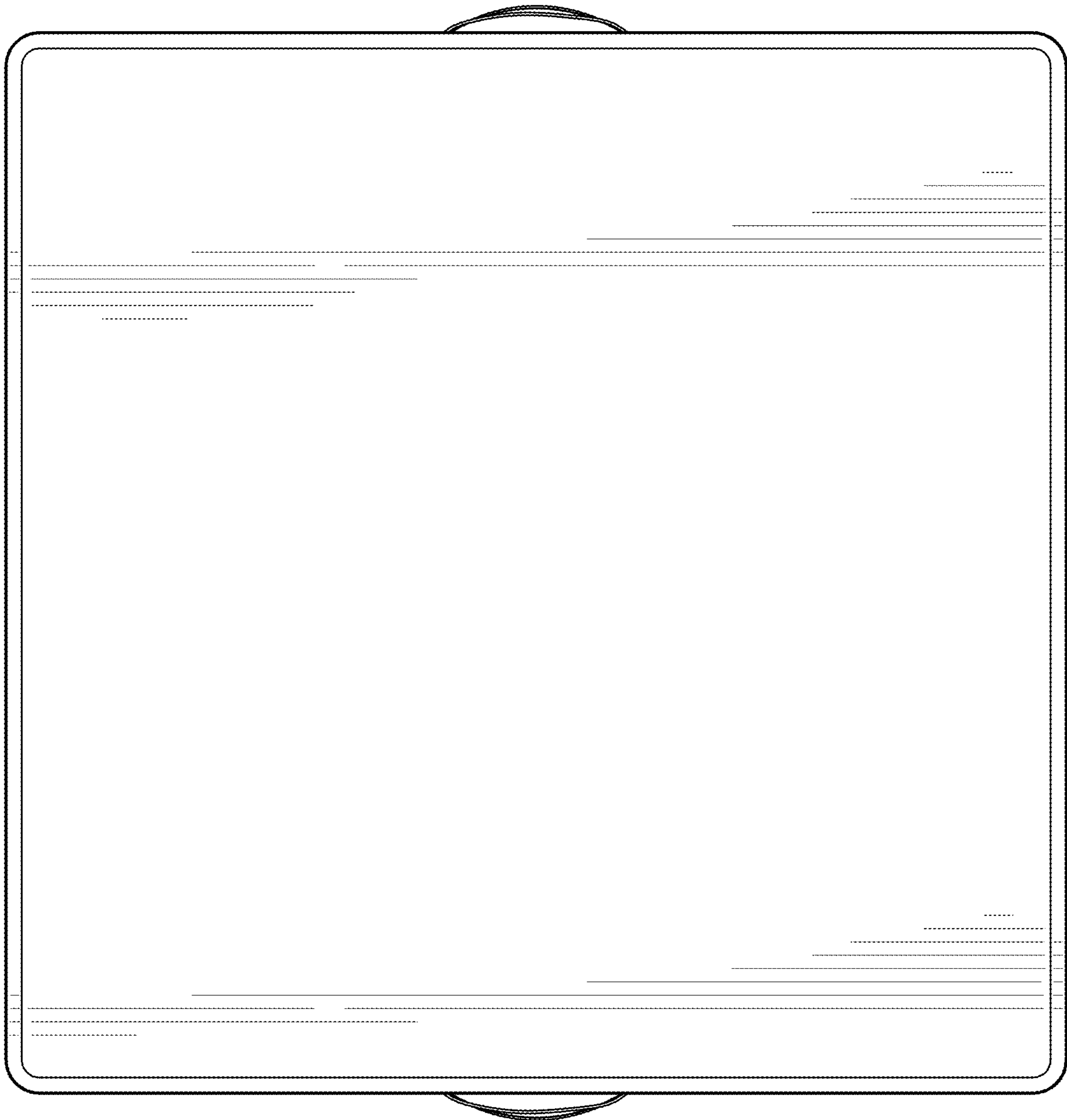


FIG. 8

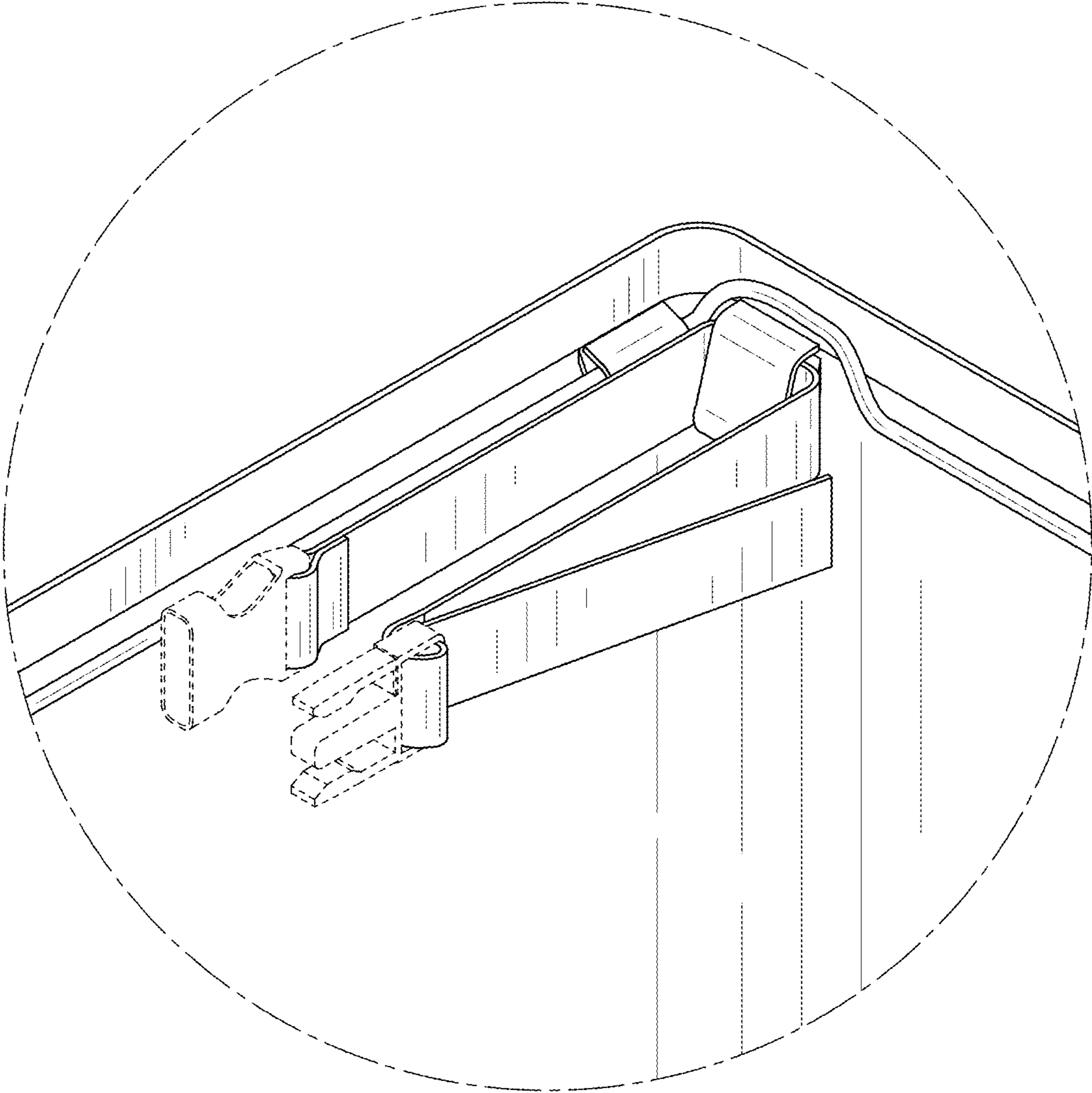


FIG. 9

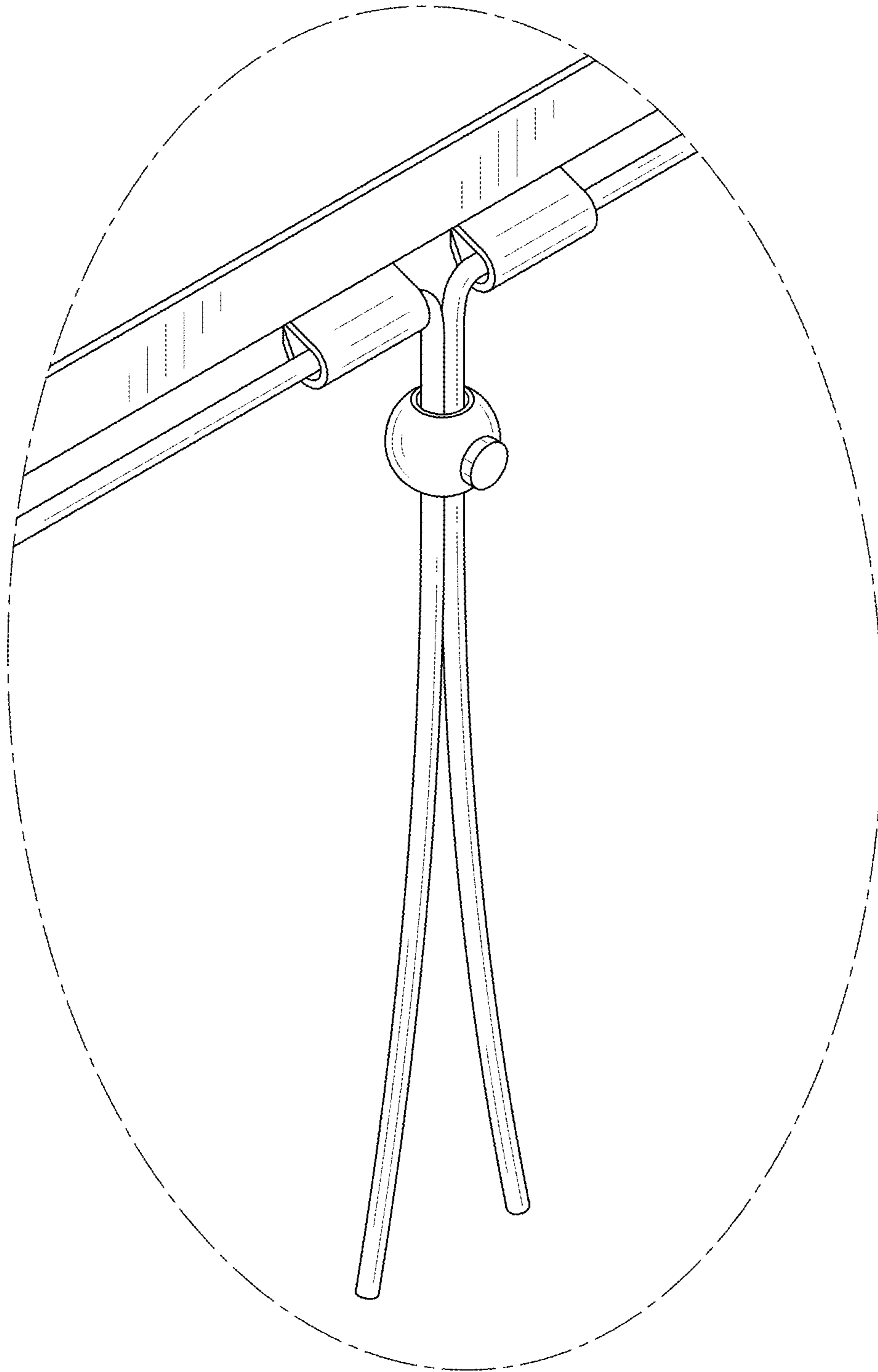


FIG. 10