

US00D973391S

(12) **United States Design Patent** (10) **Patent No.:** **US D973,391 S**
Burrell (45) **Date of Patent:** **** Dec. 27, 2022**

(54) **WINDOW TREATMENT**
(71) Applicant: **Mary Elizabeth Burrell**, Richmond, VA (US)
(72) Inventor: **Mary Elizabeth Burrell**, Richmond, VA (US)

4,692,847 A 9/1987 Gandy
4,721,397 A 1/1988 Knutar
4,739,880 A 4/1988 Sawyer et al.
4,761,872 A 8/1988 Buettner et al.
4,951,730 A 8/1990 Hsu
D343,756 S 2/1994 Sher
D345,098 S 3/1994 Ohanesian
(Continued)

(**) Term: **15 Years**

OTHER PUBLICATIONS

(21) Appl. No.: **29/693,618**

“DIY Strip Fabric from a Couch and Reupholster it,” do it yourself divas. Apr. 9, 2013, <http://www.doityourselfdivas.com/2013/04/reupholster-couch-html>. Accessed on Aug. 23, 2018.

(22) Filed: **Jun. 4, 2019**

(Continued)

Related U.S. Application Data

(62) Division of application No. 29/561,138, filed on Apr. 13, 2016, now Pat. No. Des. 852,540.

Primary Examiner — Kevin K Rudzinski

(51) **LOC (13) Cl.** **06-10**

Assistant Examiner — Clare Ann Gannon

(52) **U.S. Cl.**

(74) *Attorney, Agent, or Firm* — Foley & Lardner LLP

USPC **D6/580**

(57) **CLAIM**

(58) **Field of Classification Search**

USPC D6/575–577, 580–581; D13/155; D26/138

I claim the ornamental design for a window treatment, as shown and described.

CPC A47H 1/14; A47H 1/142; A47H 1/144; A47H 11/04; E06B 9/323; E06B 9/388; E06B 9/42; E06B 9/46; E06B 9/48

DESCRIPTION

See application file for complete search history.

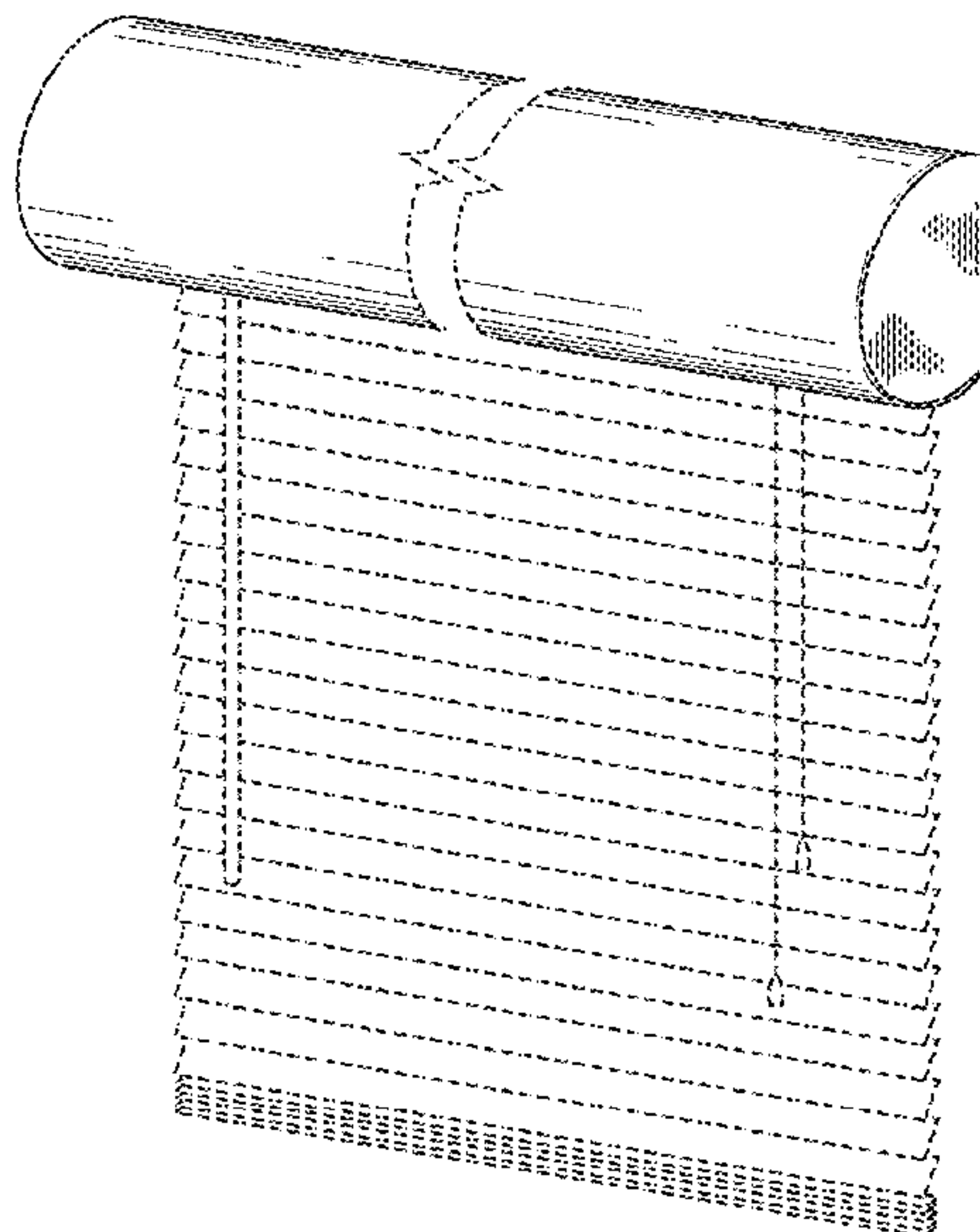
FIG. 1 is a perspective view of a window treatment, in accordance with an embodiment;
FIG. 2 is a front elevation view of the window treatment of FIG. 1;
FIG. 3 is a rear elevation view of the window treatment of FIG. 1;
FIG. 4 is a top plan view of the window treatment of FIG. 1;
FIG. 5 is a bottom plan view of the window treatment of FIG. 1;
FIG. 6 is a right side elevation view of the window treatment of FIG. 1; and,
FIG. 7 is a left side elevation view of the window treatment of FIG. 1.

(56) **References Cited**

U.S. PATENT DOCUMENTS

313,051 A * 3/1885 Bryan A47H 11/04
16/442
D28,242 S 2/1898 McLean
D33,738 S * 12/1900 Timmerhoff E06B 9/323
D6/580
1,636,601 A 7/1927 Givens
1,731,124 A 10/1929 Carper
2,013,481 A 9/1935 Stonehill
D130,813 S 12/1941 Carter
2,364,943 A 12/1944 Brandt
D241,819 S 10/1976 Flecken

1 Claim, 5 Drawing Sheets



(56)

References Cited

U.S. PATENT DOCUMENTS

D355,094 S 2/1995 Josephson
 5,499,418 A 3/1996 Tan et al.
 D380,330 S 7/1997 Chou
 D388,179 S 12/1997 Toovey
 D389,642 S 1/1998 Nadel
 5,732,426 A 3/1998 Furuya et al.
 5,785,388 A 7/1998 Curtis
 5,813,447 A * 9/1998 Lysyj E06B 9/262
 160/84.04

 D412,635 S 8/1999 Eiling
 D418,353 S 1/2000 Cadorette
 D430,627 S 9/2000 Bergman
 D431,905 S 10/2000 McCormack
 D508,538 S 8/2005 Furr
 D528,707 S 9/2006 Deioma
 D592,438 S 5/2009 Schottin
 D598,230 S 8/2009 Huffman
 D606,793 S 12/2009 Allsopp
 D607,344 S 1/2010 Ewing et al.
 D607,681 S 1/2010 Hughes
 D619,021 S 7/2010 Yamada
 8,002,012 B2 * 8/2011 Cheng E06B 9/322
 160/170

 D655,964 S 3/2012 Dror et al.
 D668,131 S * 10/2012 Noumi D8/356
 D670,122 S 11/2012 Childress
 8,347,429 B1 1/2013 Hawkins
 D680,357 S 4/2013 Wills et al.
 D691,828 S 10/2013 Rosenberg
 D718,062 S 11/2014 Hirata et al.
 9,038,220 B2 5/2015 Aas-Jakobsen et al.
 9,101,235 B2 8/2015 Yu
 D753,935 S 4/2016 Driffield
 D764,947 S 8/2016 Kovens
 D783,471 S 4/2017 Kalkstein
 D806,440 S 1/2018 Pulver
 D810,583 S 2/2018 Domazakis

D852,540 S * 7/2019 Burrell E06B 9/262
 D6/580
 D874,184 S * 2/2020 Chou D6/580
 D909,090 S * 2/2021 Diamond A47H 11/04
 D6/575
 D926,707 S * 8/2021 Campos D13/155
 D935,223 S * 11/2021 Pejic D6/580
 D937,225 S * 11/2021 Choi D13/155
 2008/0245917 A1 10/2008 Pon
 2010/0122779 A1 * 5/2010 Chen E06B 9/323
 160/168.1 V

 2016/0237743 A1 8/2016 Holt et al.
 2018/0087319 A1 * 3/2018 McPherson E06B 9/581

OTHER PUBLICATIONS

“How to Reupholster a Tufted Couch”. While They Snooze. Jun. 8, 2015. <http://whiletheysnooze.blogspot.com/2015/06/how-to-reupholster-tufted-couch.html>. Accessed on Aug. 23, 2018.
 “I Like The Way you Roll” DIY Father’s Day Gift. Jun. 17, 2014 <http://paintedconfetti.com/i-like-way-you-roll-diy-fathers-day-gif/>, Accessed on Aug. 23, 2018.
 “No-sew bolster pillow tutorial” Imparting Grace. Nov. 24, 2011. <http://www.impartinggrace.com/2011/11/no-sew-bolster-pillow-tutorial.html>. Accessed on Aug. 23, 2018.
 “Sewing Tutorial: Make a Bolster Pillow using Dritz Cover Buttons” May 13, 2016. <http://makesomething.dritz.com/sewing-projects/sewing-tutorial-bolster-pillow/>. Accessed on Aug. 23, 2018.
 English, Carleton. “Trouble may be ahead for Tootsie Roll Industries” NY Post, Oct. 17, 2017. <https://nypost.com/2017/10/17/trouble-may-be-ahead-for-tootsie-roll-industries/>. Accessed on Aug. 23, 2018.
 Google Image search “Salon hand pillow.” <http://www.google.com/>. Accessed on Aug. 23, 2018.
 Non-Final Office Action on U.S. Appl. No. 29/561,138 dated Sep. 4, 2018.
 Notice of Allowance on U.S. Appl. No. 29/561,138 dated Feb. 7, 2019.

* cited by examiner

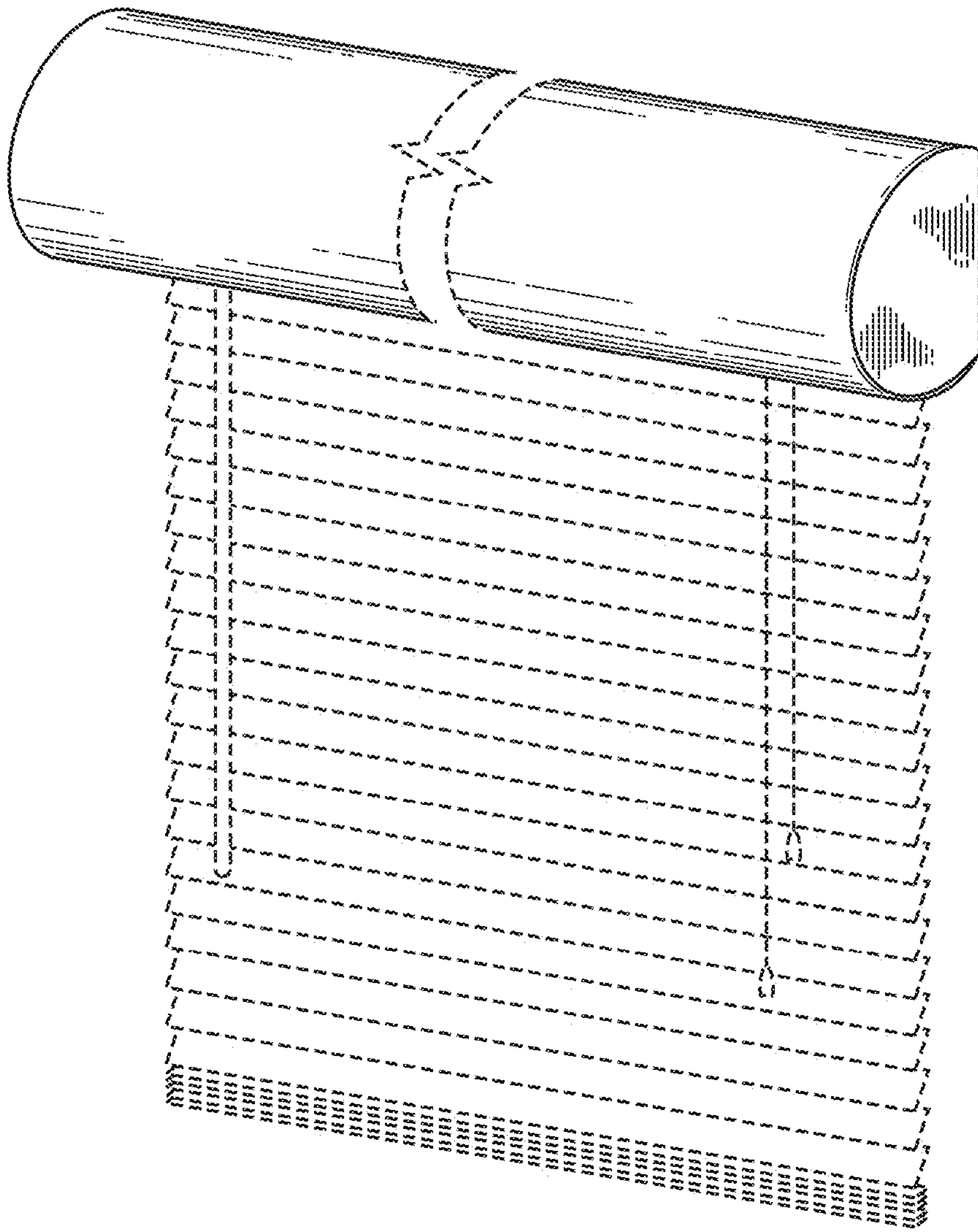


FIG. 1

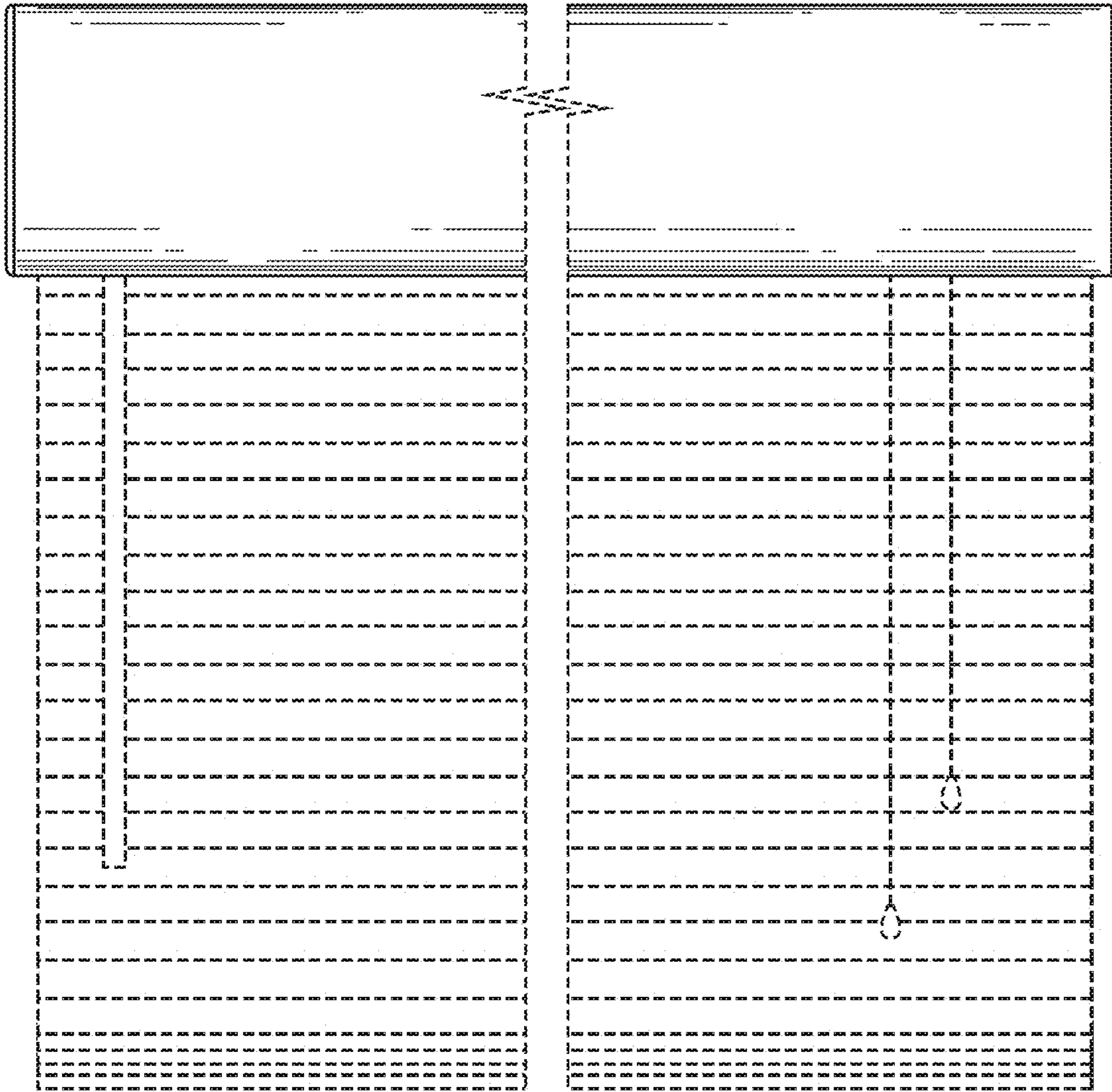


FIG. 2

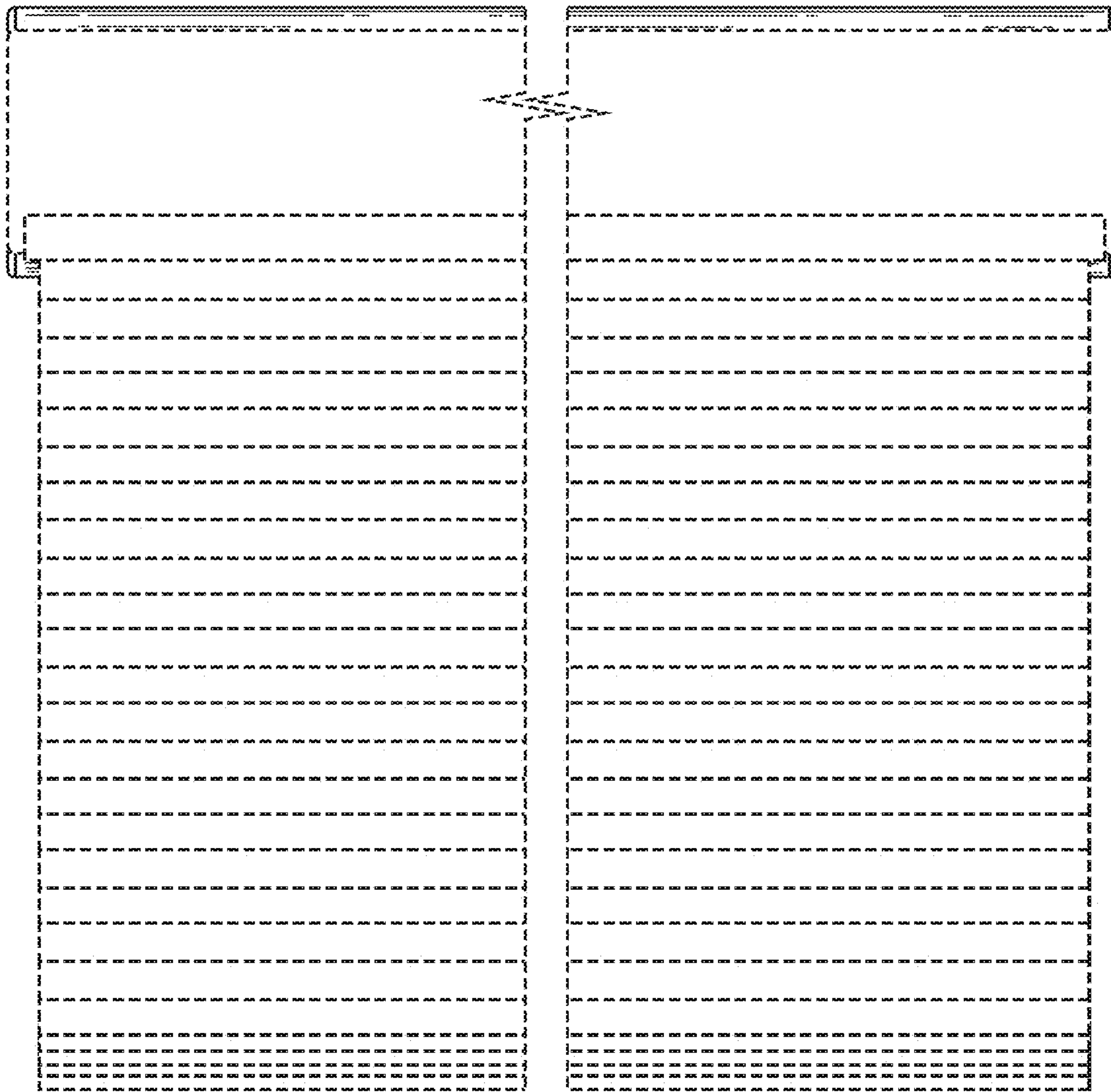


FIG. 3

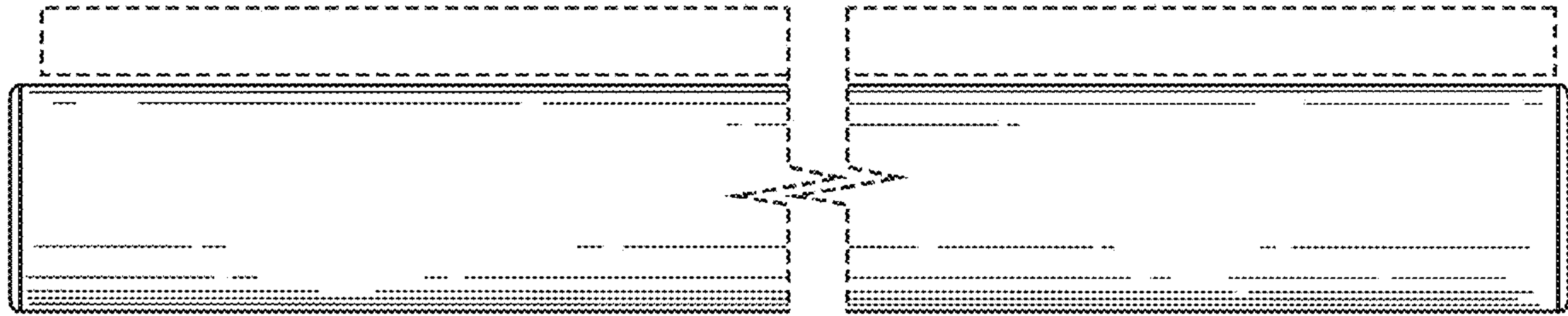


FIG. 4

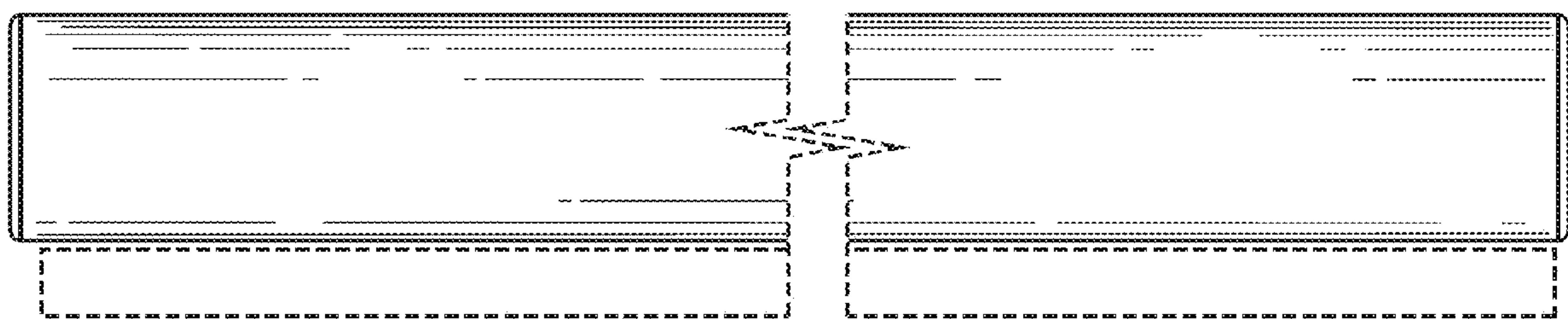


FIG. 5

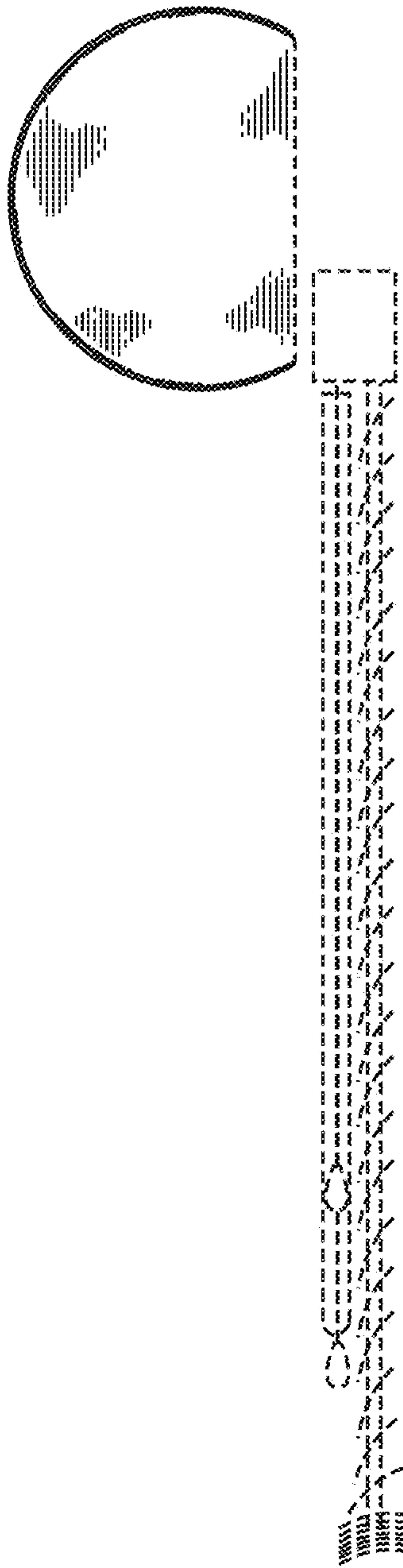


FIG. 6

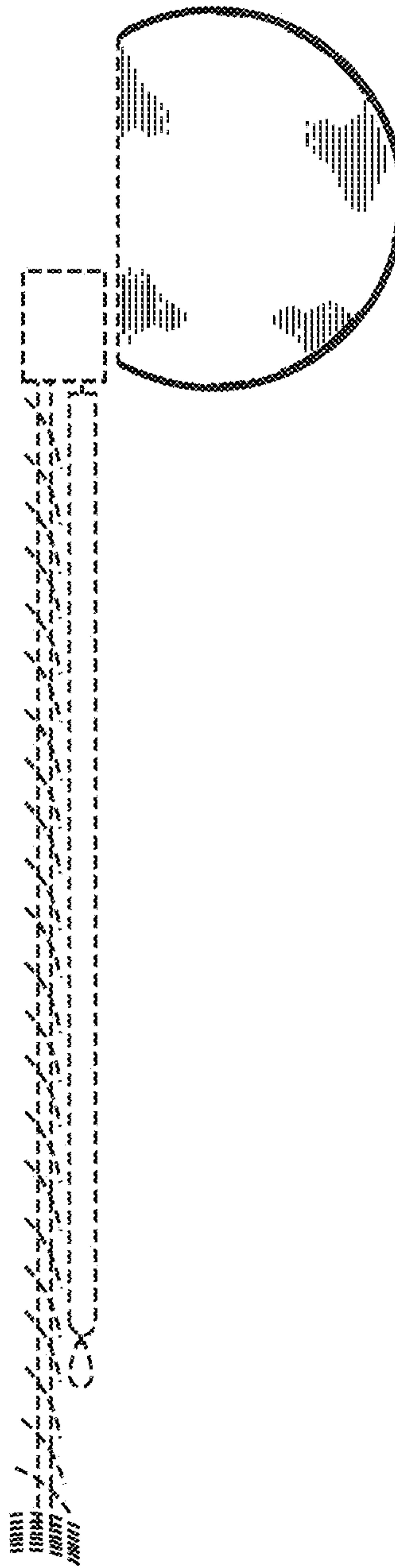


FIG. 7