



US00D973389S

(12) **United States Design Patent**  
**Sun**

(10) **Patent No.: US D973,389 S**

(45) **Date of Patent: \*\* Dec. 27, 2022**

(54) **BATHROOM SHELF**

(71) Applicant: **Weihao Sun**, Guangzhou (CN)

(72) Inventor: **Weihao Sun**, Guangzhou (CN)

(\*\*) Term: **15 Years**

(21) Appl. No.: **29/789,078**

(22) Filed: **Aug. 29, 2021**

(51) **LOC (13) Cl. .... 23-02**

(52) **U.S. Cl.**  
**USPC ..... D6/525**

(58) **Field of Classification Search**  
USPC ..... D6/524-525, 566, 536, 540, 567, 570;  
211/13.1, 74, 71.01, 86.01, 75, 88.01,  
211/90.01, 90.03, 106, 119, 126.1, 133.5,  
211/181.1, 134  
CPC ..... A47K 3/281; A47K 3/28; A47B 45/00;  
A47B 96/025; A47F 5/0093

See application file for complete search history.

(56) **References Cited**

**U.S. PATENT DOCUMENTS**

D315,840 S *	4/1991	Emery	.....	D6/525
D446,670 S *	8/2001	Emery	.....	D6/525
D473,411 S *	4/2003	Walker	.....	D6/525
D477,947 S *	8/2003	Snell	.....	A47K 3/281
				D6/525
D479,073 S *	9/2003	Snell	.....	A47K 3/281
				D6/525
D479,074 S *	9/2003	Snell	.....	A47K 3/281
				D6/525
D512,861 S *	12/2005	Rosen	.....	A47K 3/281
				D6/525
D552,391 S *	10/2007	Rosen	.....	A47K 3/281
				D6/525
D564,271 S *	3/2008	Snider	.....	A47K 3/281
				D6/525
D564,816 S *	3/2008	Snider	.....	A47K 3/281
				D6/525

D566,439 S *	4/2008	Dretzka	.....	A47K 3/281
				D6/525
D568,657 S *	5/2008	Snider	.....	A47K 3/281
				D6/525
D572,061 S *	7/2008	Snider	.....	A47K 3/281
				D6/525
D572,062 S *	7/2008	Snider	.....	A47K 3/281
				D6/525
D575,087 S *	8/2008	Ghiorghie	.....	A47K 3/281
				D6/525
D603,198 S *	11/2009	Guindi	.....	A47K 3/281
				D6/525

(Continued)

**OTHER PUBLICATIONS**

Amazon.com, Aluminum Bathroom Organizer Shower Caddy, Aug. 13, 2019, <https://www.amazon.com/Splash-Home-Aluminum-Organizers-Conditioner/dp/B01NAL77NF/> (Year: 2019).\*

*Primary Examiner* — Nathan M Johnston

(74) *Attorney, Agent, or Firm* — Rumit Ranjit Kanakia

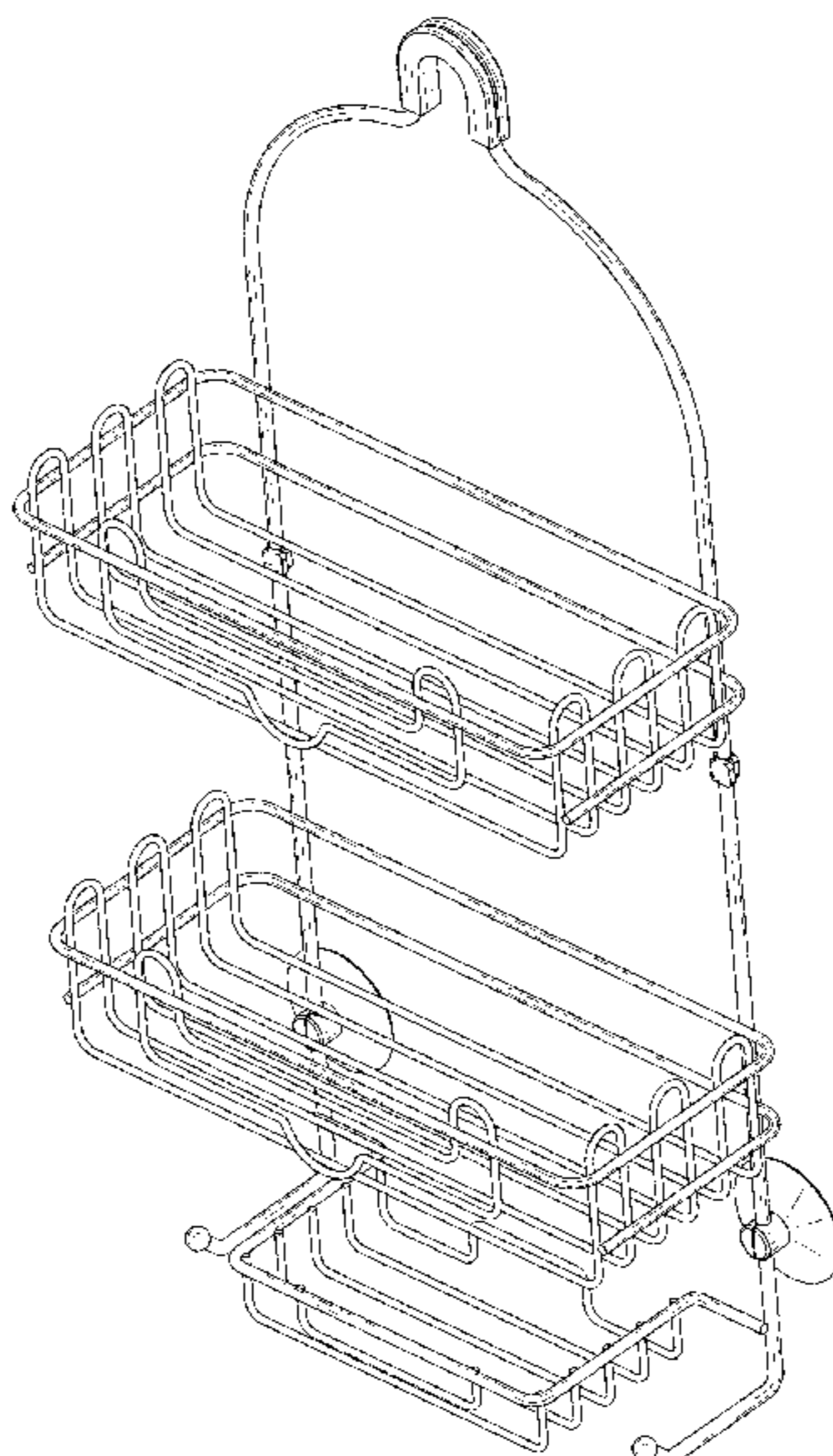
(57) **CLAIM**

The ornamental design for a bathroom shelf, as shown and described.

**DESCRIPTION**

FIG. 1 is a first perspective view of a bathroom shelf showing my new design;  
FIG. 2 is a second perspective view thereof;  
FIG. 3 is a front view thereof;  
FIG. 4 is a back view thereof;  
FIG. 5 is a left side view thereof;  
FIG. 6 is a right side view thereof;  
FIG. 7 is a top view thereof; and,  
FIG. 8 is a bottom view thereof.  
The broken lines shown in the drawings depict portions of the bathroom shelf in which the design is embodied that form no part of the claimed design.

**1 Claim, 8 Drawing Sheets**



(56)

**References Cited**

U.S. PATENT DOCUMENTS

D628,000 S \* 11/2010 Lindo ..... A47K 3/281  
D6/525  
D630,035 S \* 1/2011 Snider ..... A47K 3/281  
D6/525  
D632,513 S \* 2/2011 Cittadino ..... A47K 3/281  
D6/525  
D647,747 S \* 11/2011 Guindi ..... D6/525  
D677,089 S \* 3/2013 Tawil ..... D6/525  
D714,571 S \* 10/2014 Walker ..... D6/525  
D718,071 S \* 11/2014 Snider ..... D6/525  
D718,554 S \* 12/2014 Snider ..... D6/525  
D723,834 S \* 3/2015 Tawil ..... D6/525  
D728,260 S \* 5/2015 Snider ..... D6/525

\* cited by examiner

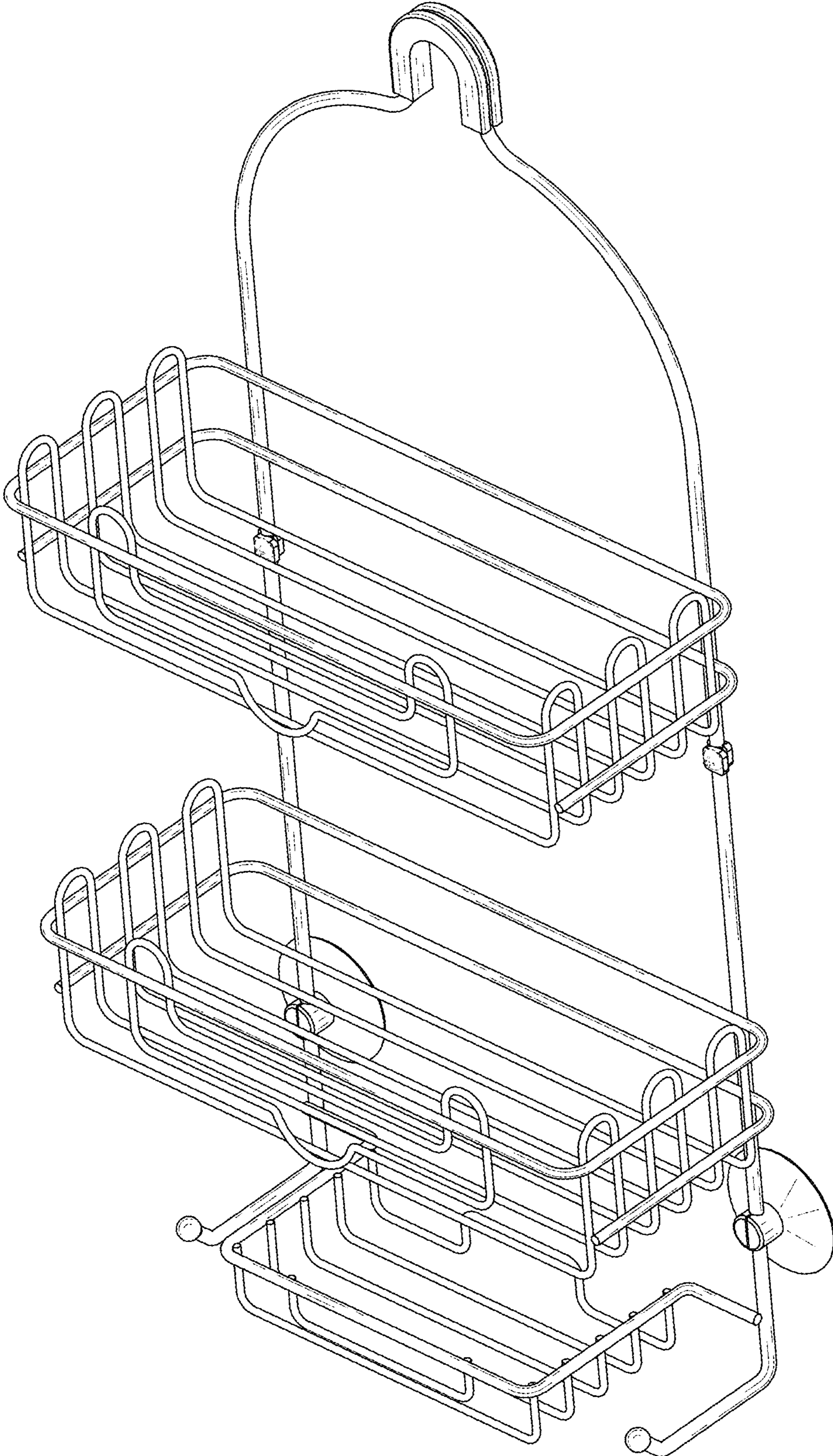


FIG. 1

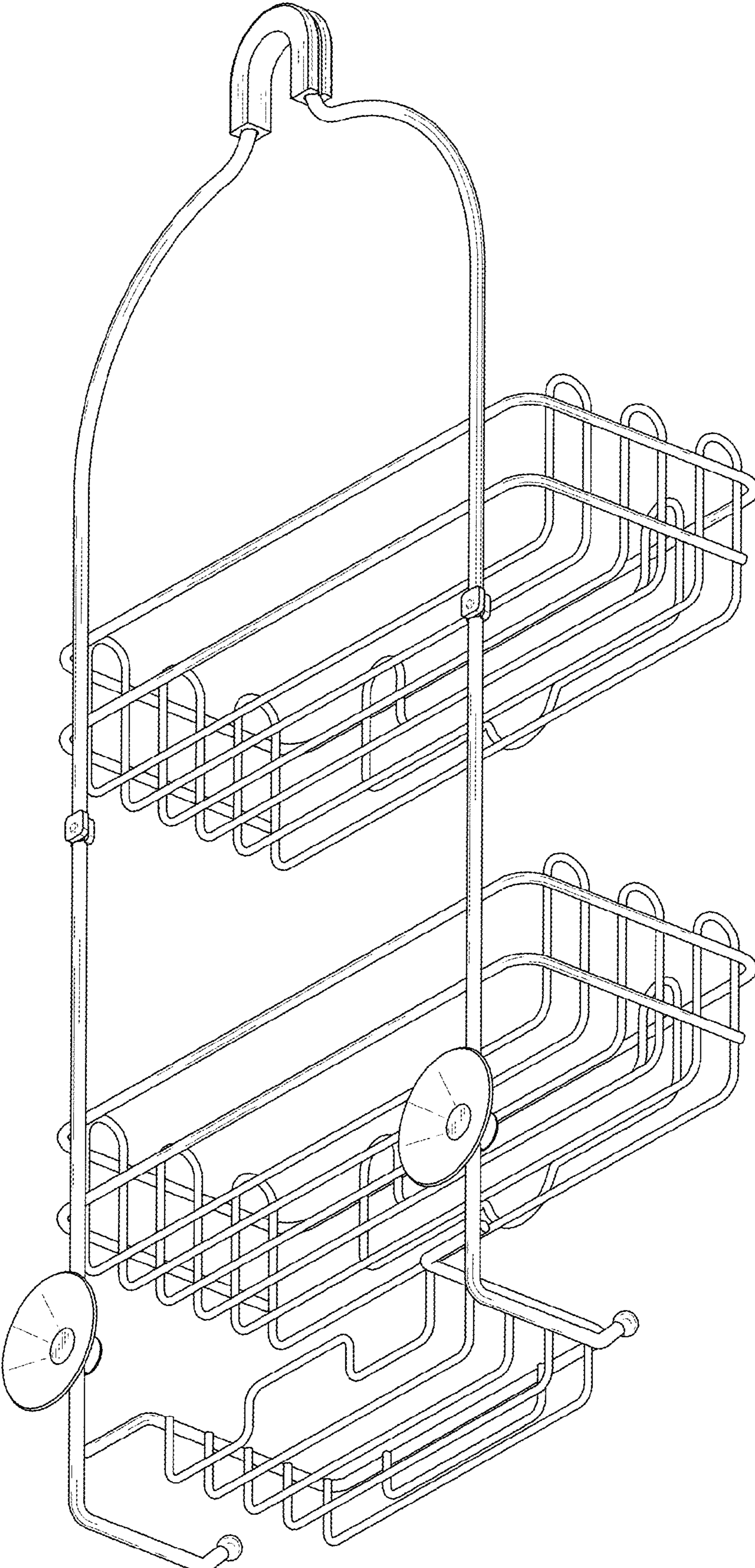


FIG. 2

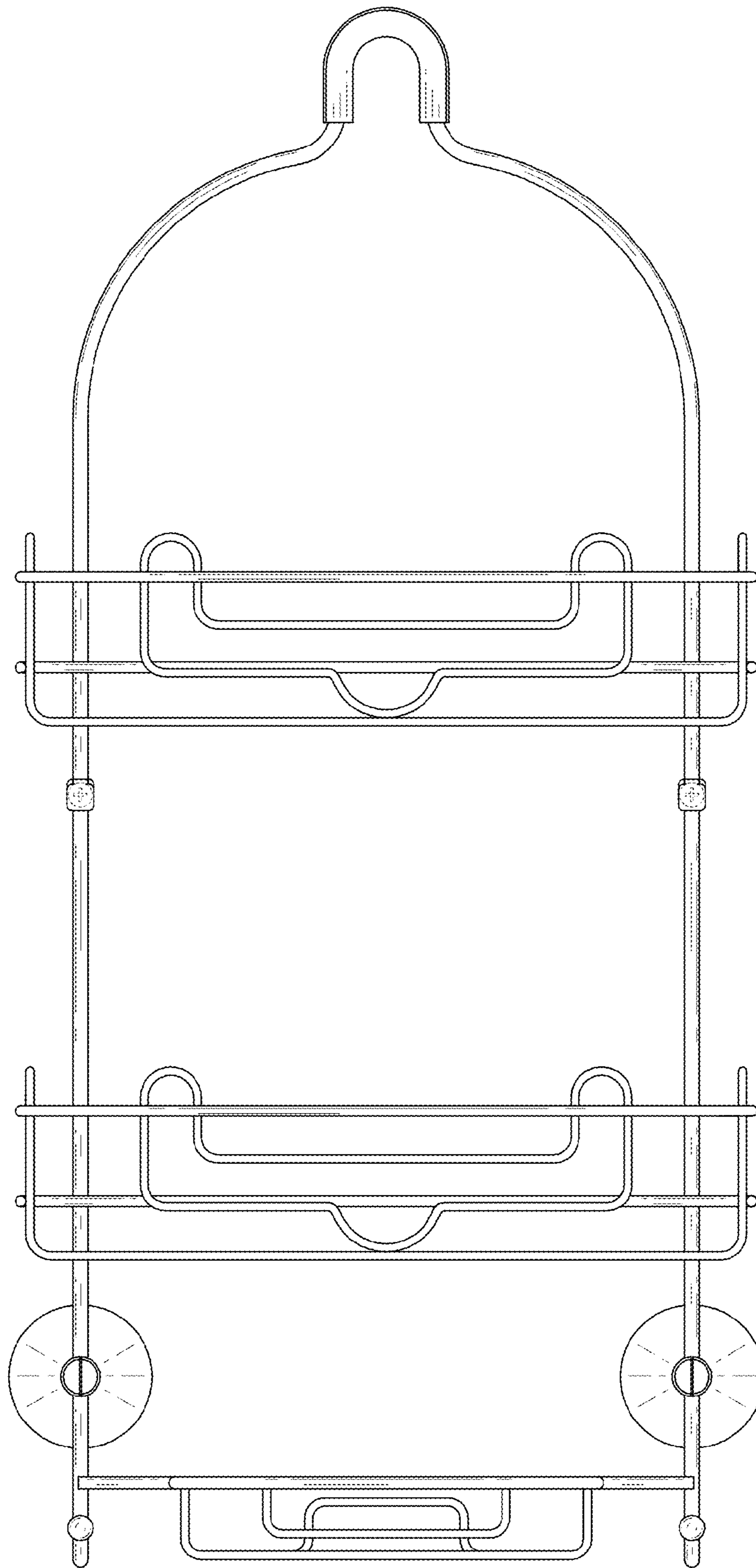


FIG. 3

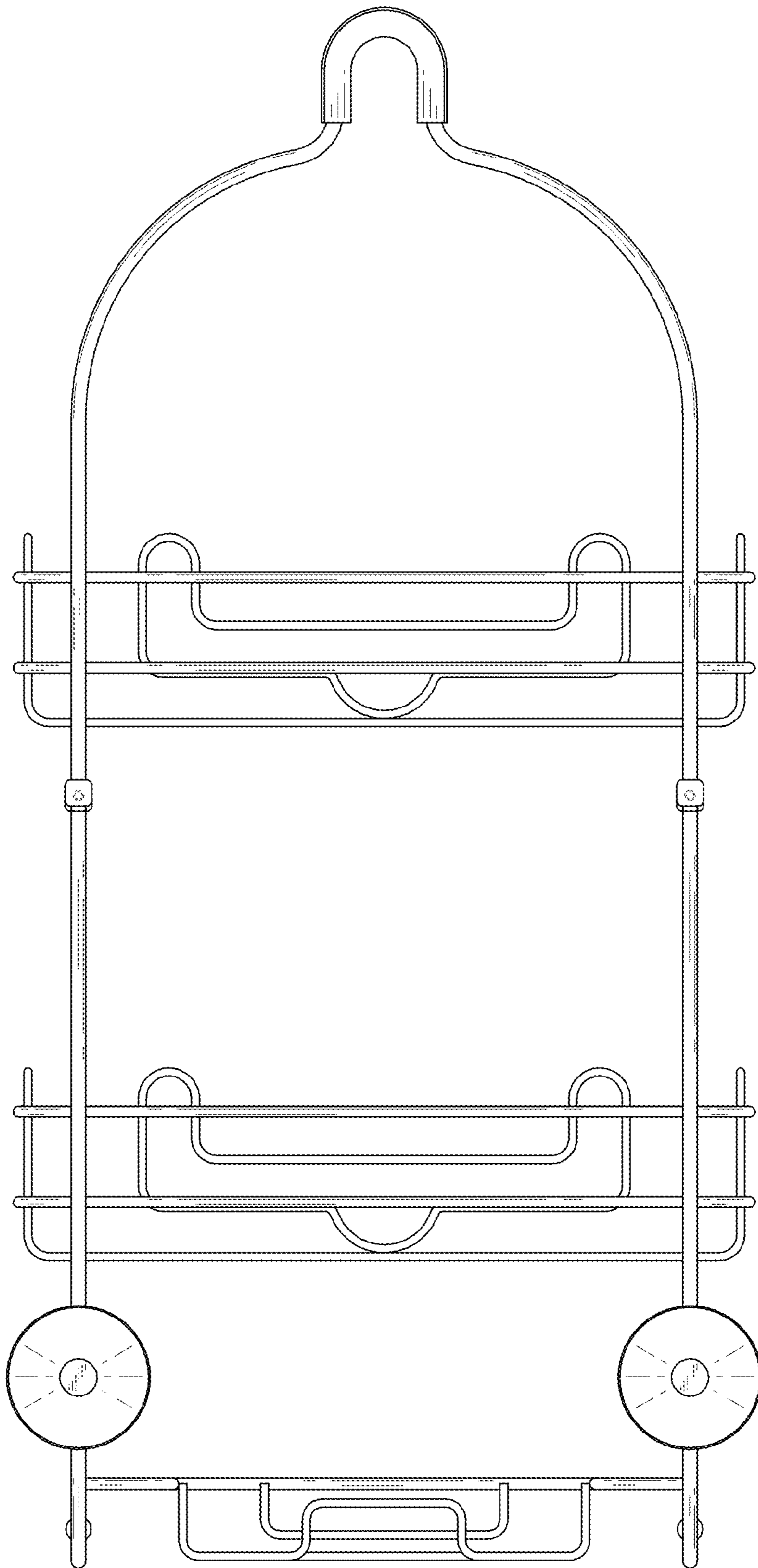


FIG. 4

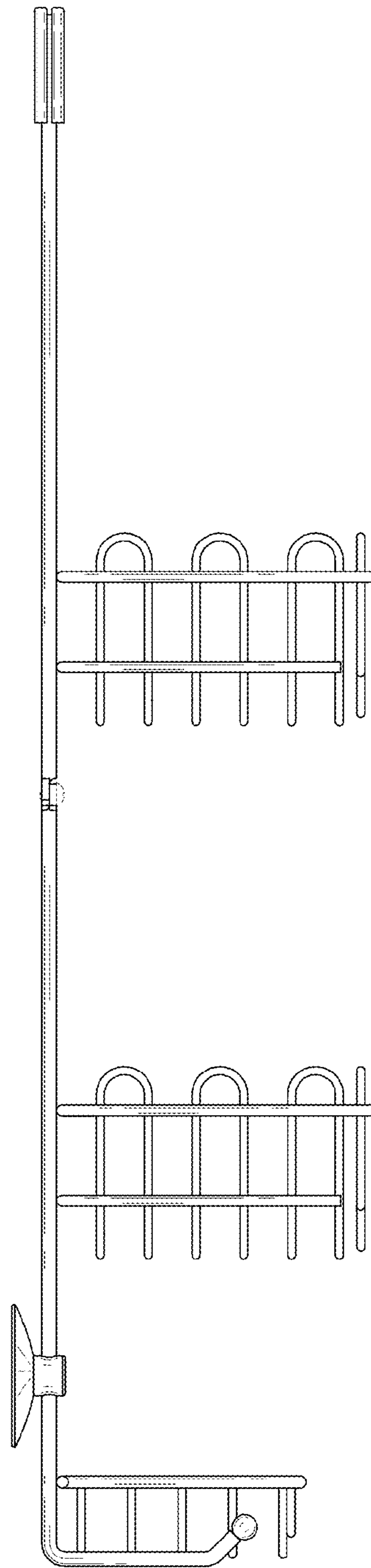


FIG. 5

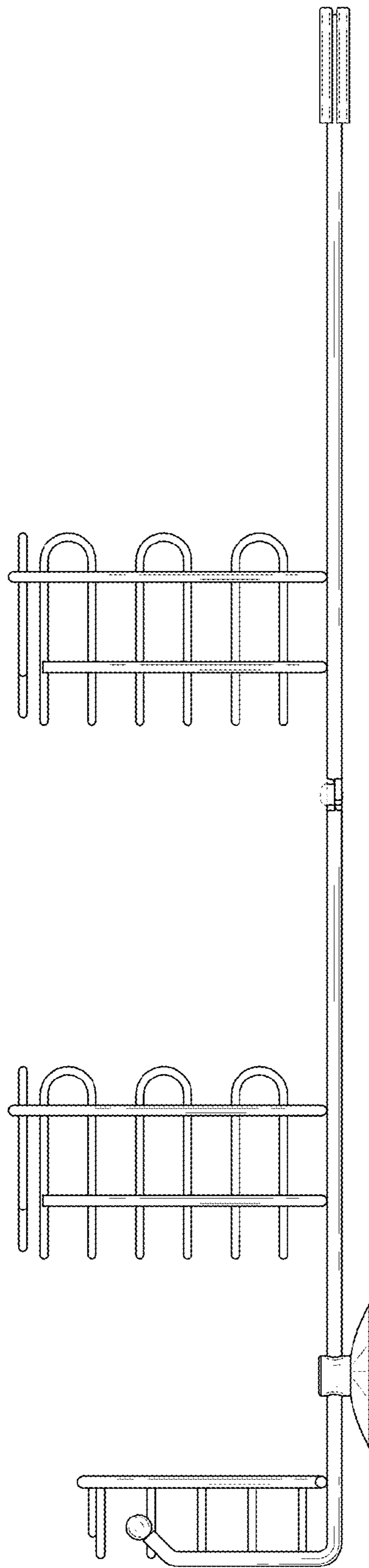


FIG. 6



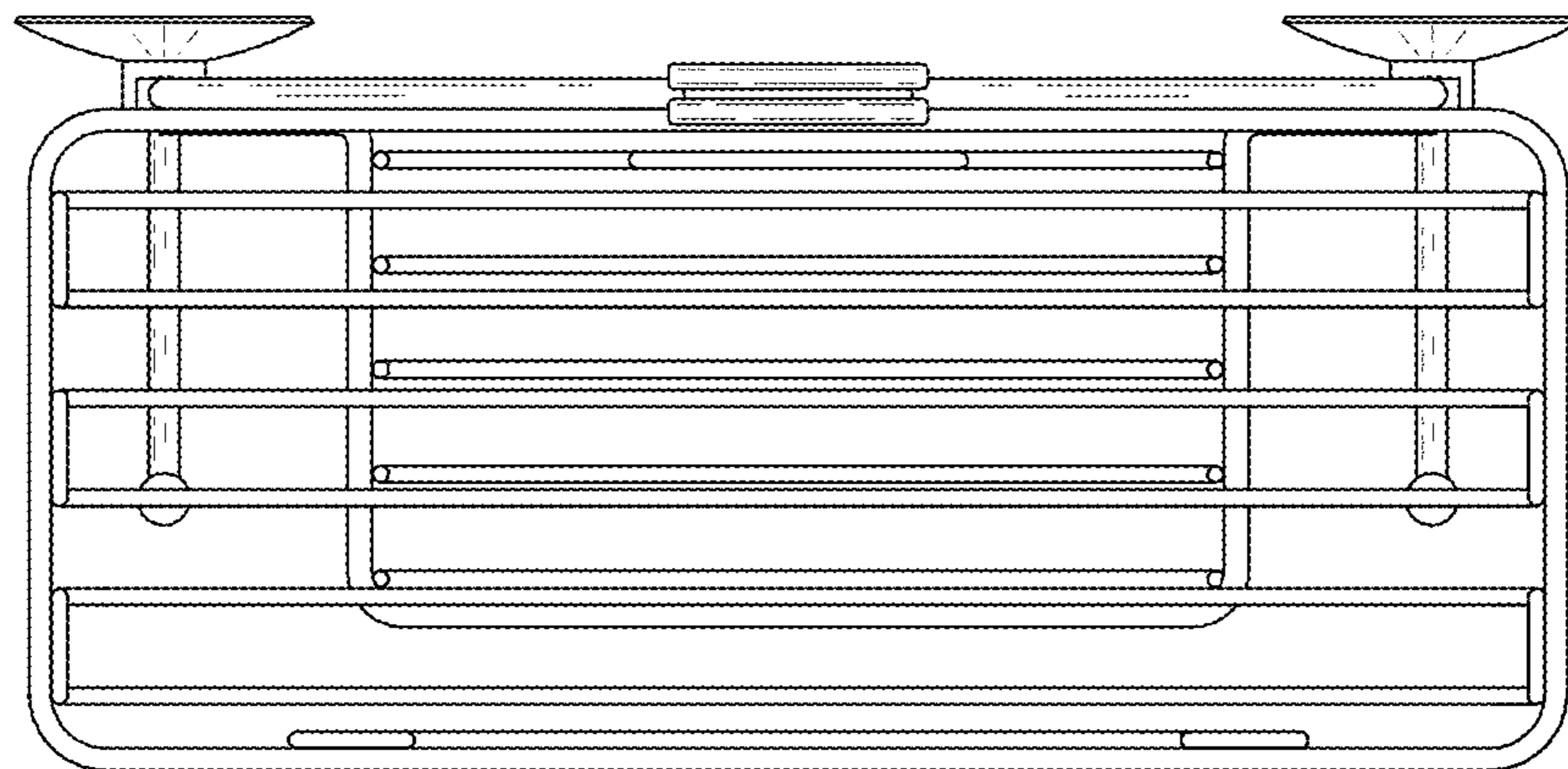


FIG. 7

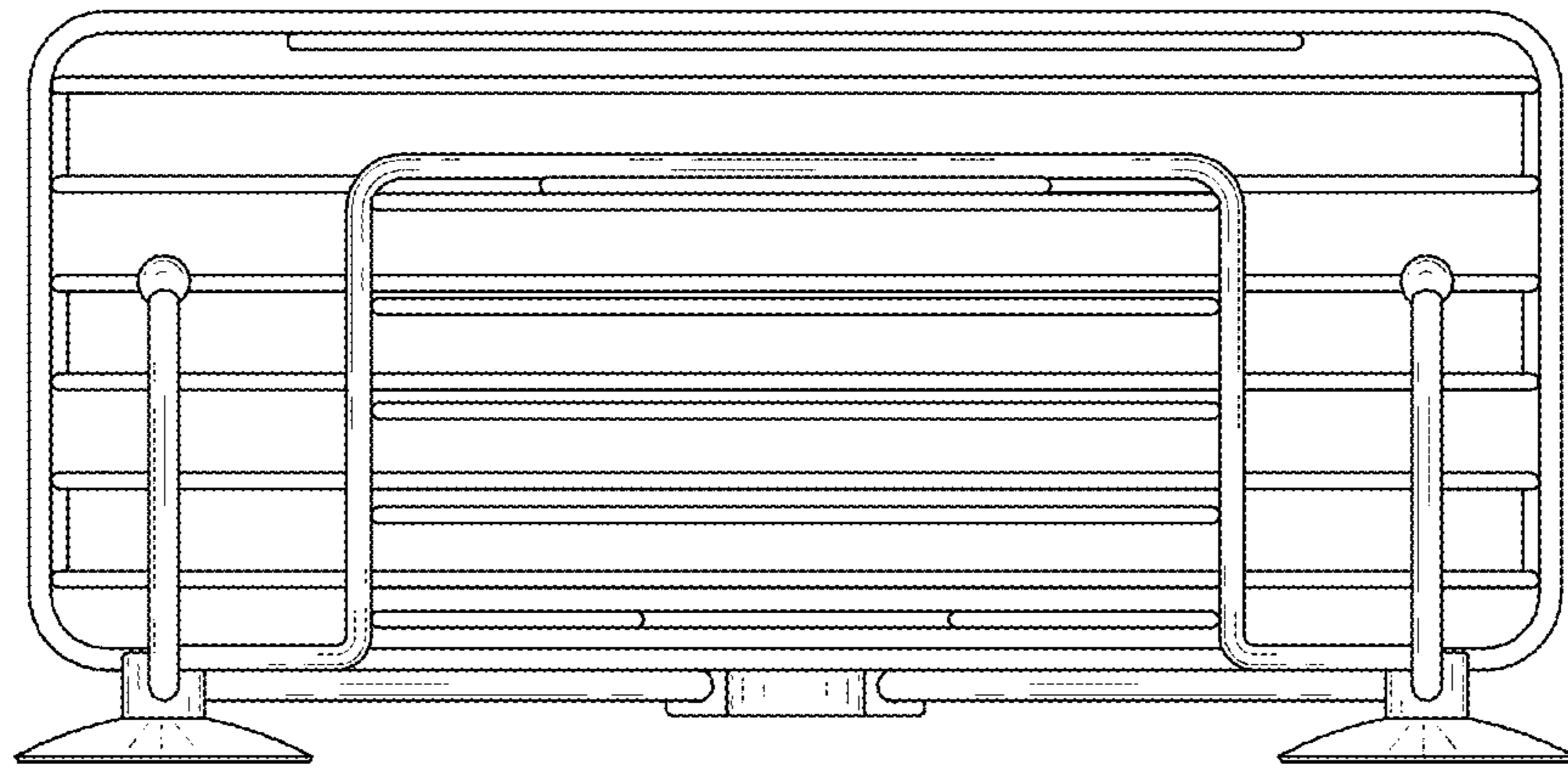


FIG. 8