



US00D973388S

(12) **United States Design Patent**
Forrer

(10) **Patent No.:** **US D973,388 S**

(45) **Date of Patent:** **** Dec. 27, 2022**

(54) **SHOWER CADDY**

(71) Applicant: **Jacob Forrer**, Truckee, CA (US)

(72) Inventor: **Jacob Forrer**, Truckee, CA (US)

(**) Term: **15 Years**

(21) Appl. No.: **29/780,638**

(22) Filed: **Apr. 26, 2021**

(51) **LOC (13) Cl.** **23-02**

(52) **U.S. Cl.**
USPC **D6/525**

(58) **Field of Classification Search**
USPC D6/524-525, 566, 536, 540, 567, 570;
211/13.1, 74, 71.01, 86.01, 75, 88.01,
211/90.01, 90.03, 106, 119, 126.1, 133.5,
211/181.1, 134
CPC A47K 3/281; A47K 3/28; A47B 45/00;
A47B 96/025; A47F 5/0093
See application file for complete search history.

(56) **References Cited**

U.S. PATENT DOCUMENTS

D111,671 S * 10/1938 Staub D6/570
3,182,809 A * 5/1965 Getoor A47B 55/06
211/88.01
D206,787 S * 1/1967 Lerner D6/570
3,341,026 A * 9/1967 Spitler A47B 96/16
211/88.01
D219,152 S * 11/1970 Wooters D6/570
D232,992 S * 10/1974 Motzen D6/570

D274,393 S * 6/1984 Sinchok D6/525
4,799,432 A * 1/1989 Rickner A47B 95/008
108/42
D326,974 S * 6/1992 Grassie D6/524
D354,646 S * 1/1995 Weinstein D6/567
D530,121 S * 10/2006 Snell D6/525
D911,742 S * 3/2021 Chiang D6/570
2013/0307285 A1 * 11/2013 Richter A47B 96/02
296/24.44

* cited by examiner

Primary Examiner — Nathan M Johnston

(74) *Attorney, Agent, or Firm* — Diament Patent Law,
P.C.; Adam Diament

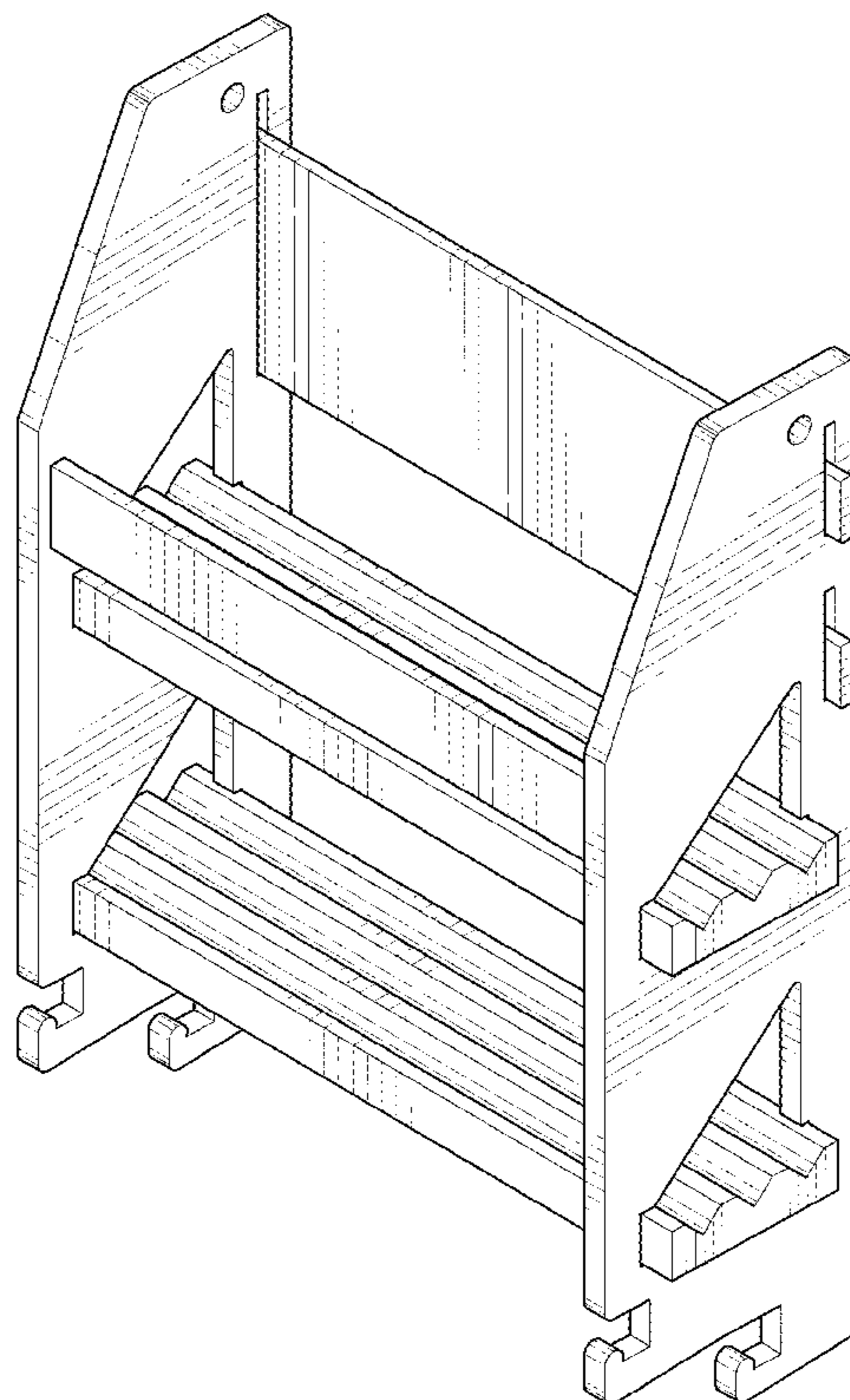
(57) **CLAIM**

The ornamental design for a shower caddy, as shown and described.

DESCRIPTION

FIG. 1 is a perspective view of a shower caddy of my new design;
FIG. 2 is a front view of the shower caddy shown in FIG. 1;
FIG. 3 is a rear view of the shower caddy shown in FIG. 1;
FIG. 4 is a left side view of the shower caddy shown in FIG. 1;
FIG. 5 is a right side view of the shower caddy shown in FIG. 1;
FIG. 6 is a top view of the shower caddy shown in FIG. 1;
and,
FIG. 7 is a bottom view of the shower caddy shown in FIG. 1.

1 Claim, 5 Drawing Sheets



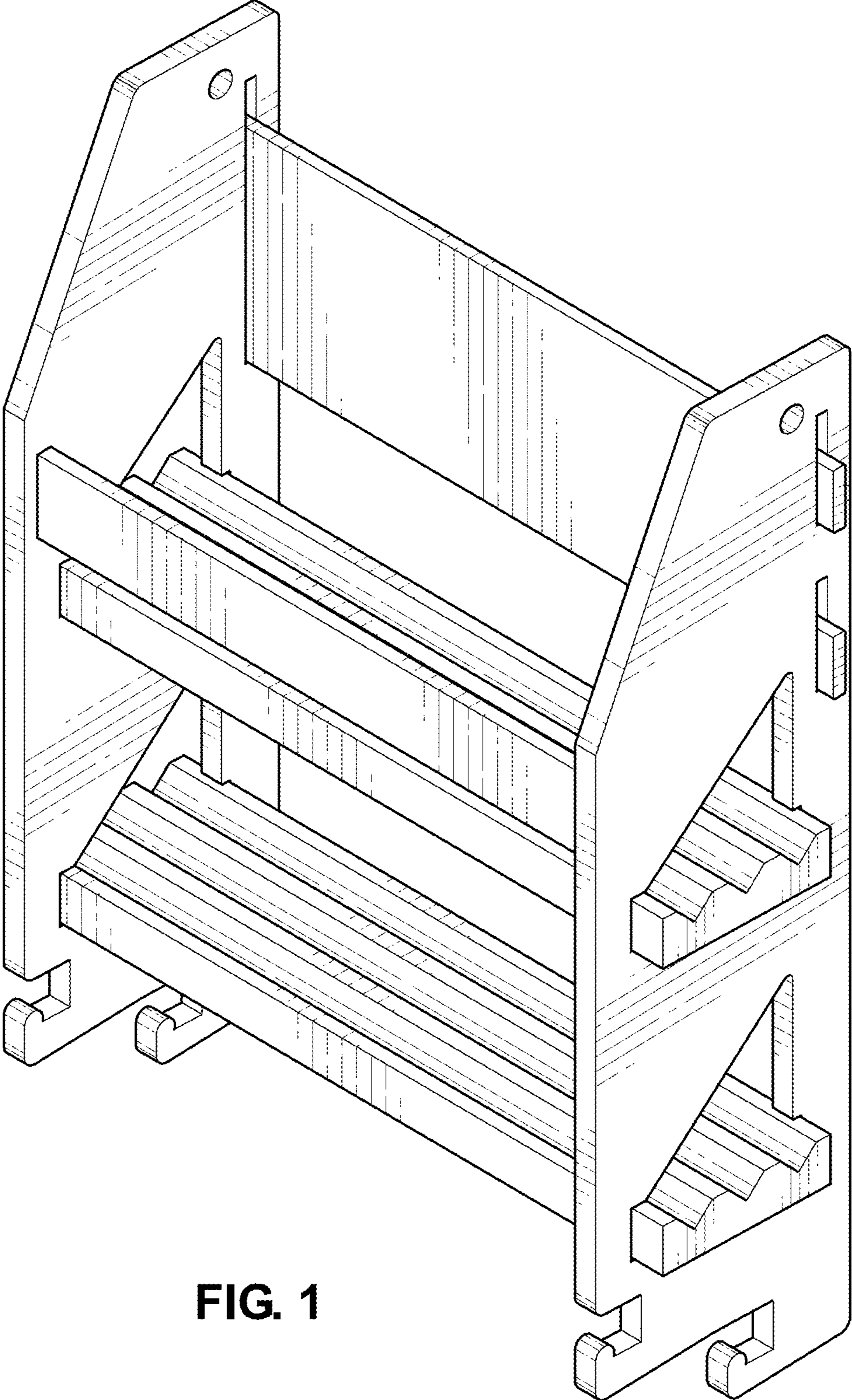


FIG. 1

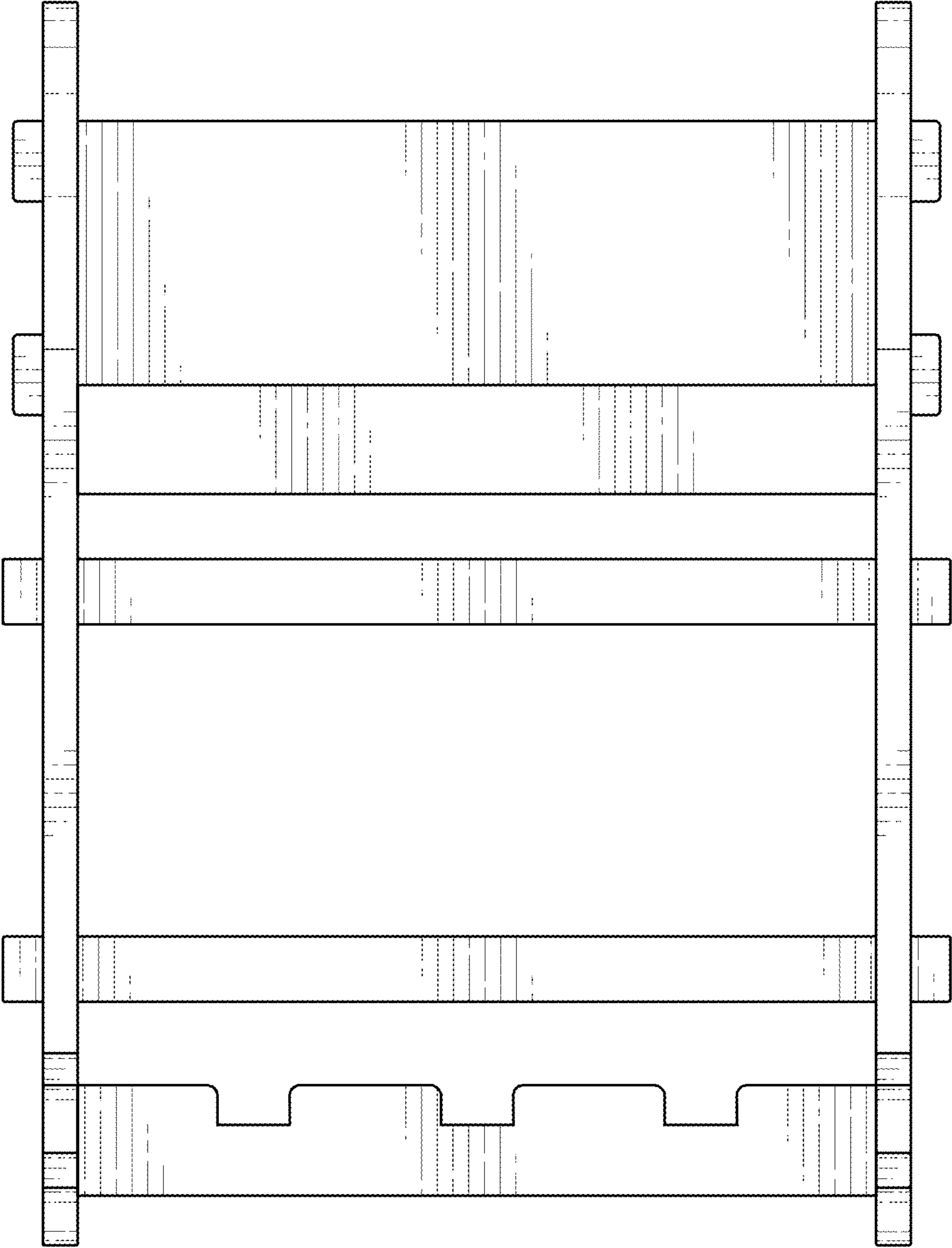


FIG. 2

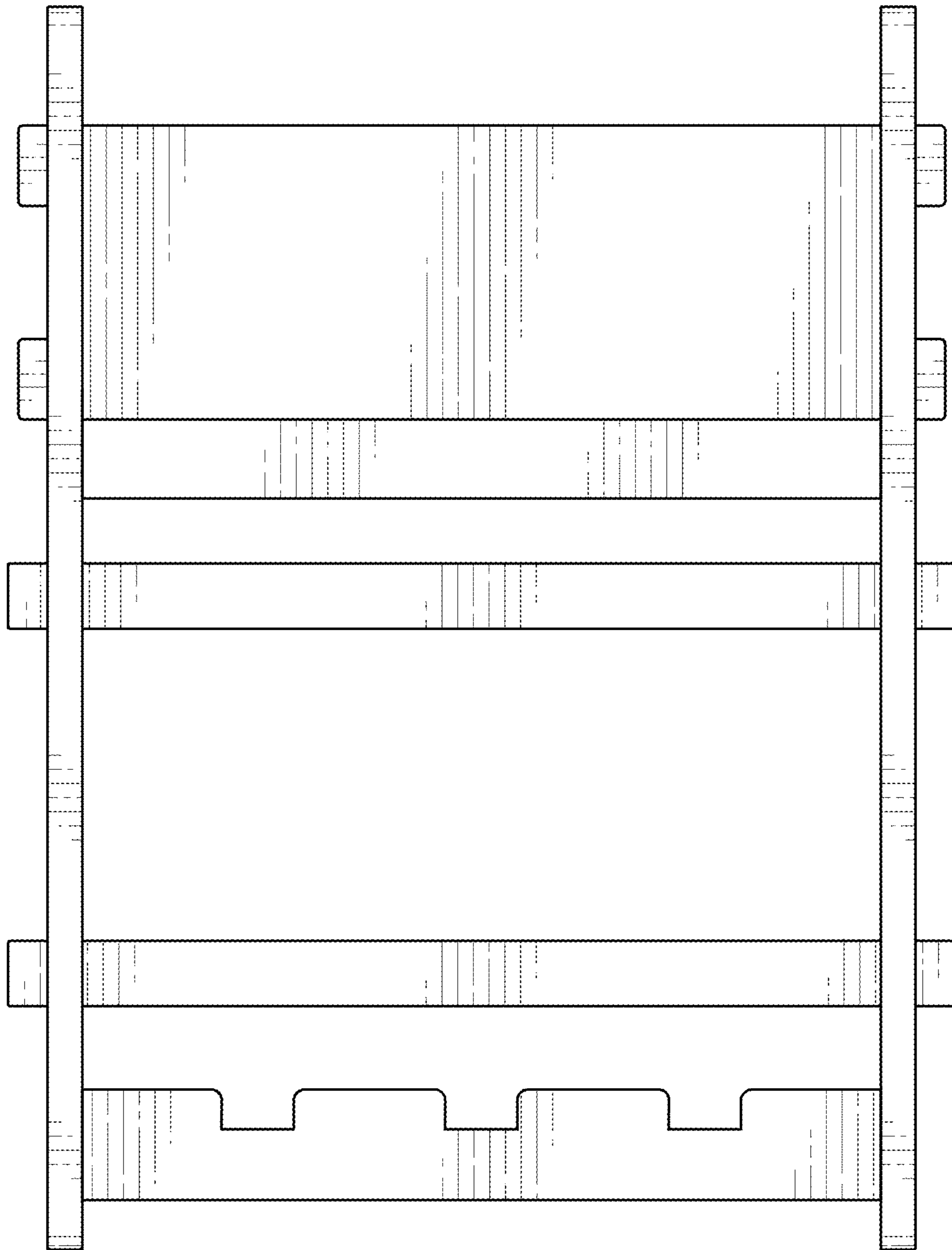


FIG. 3

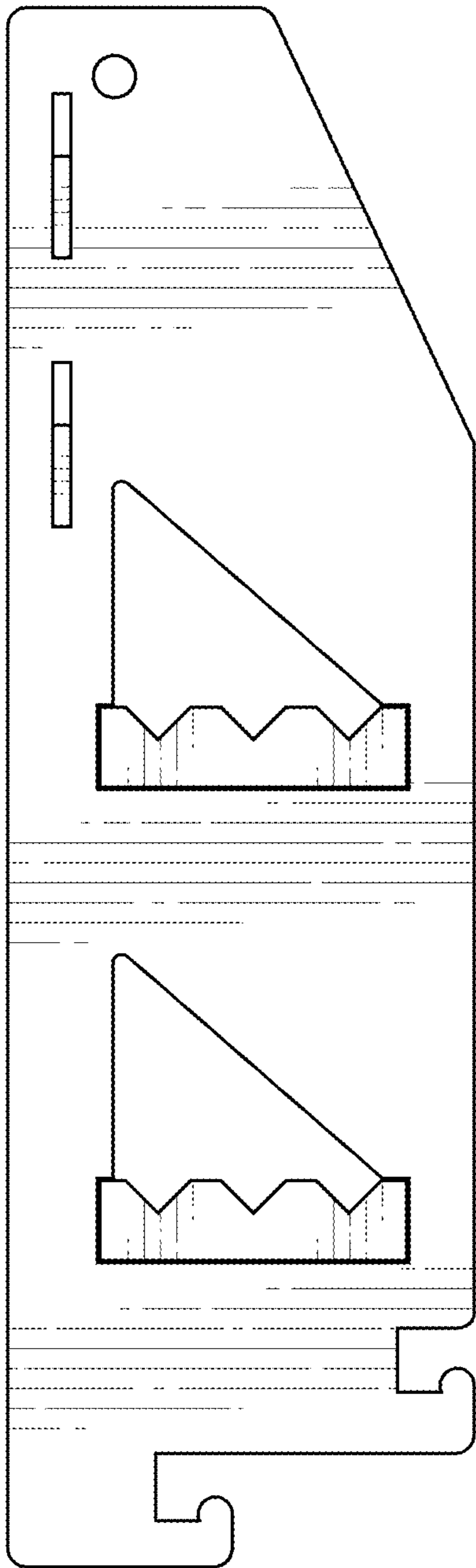


FIG. 4

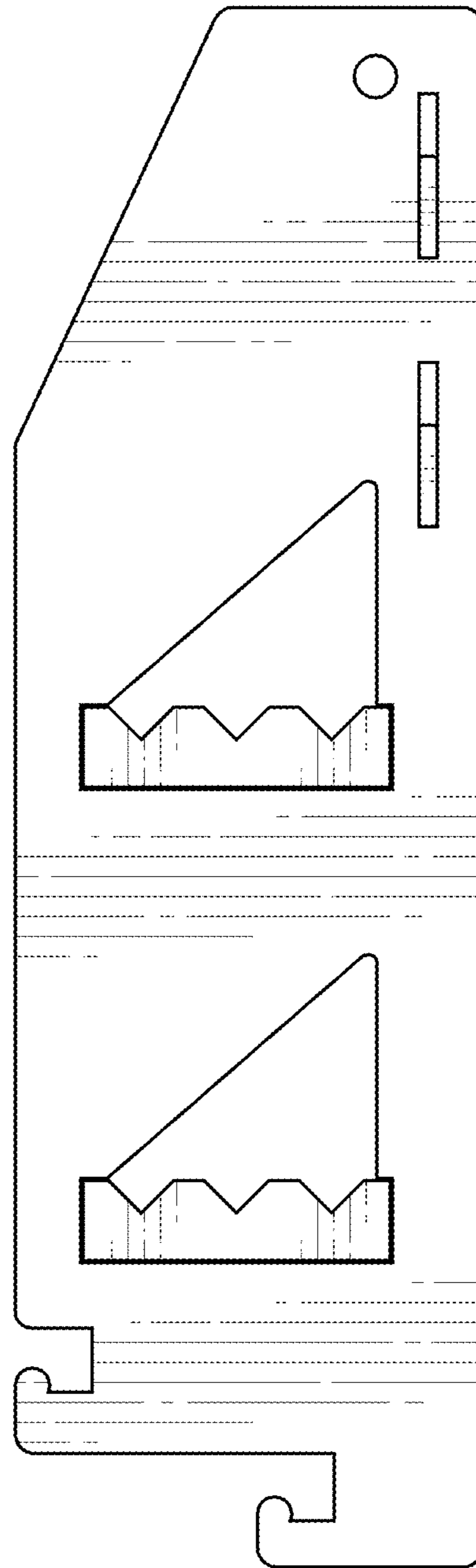


FIG. 5

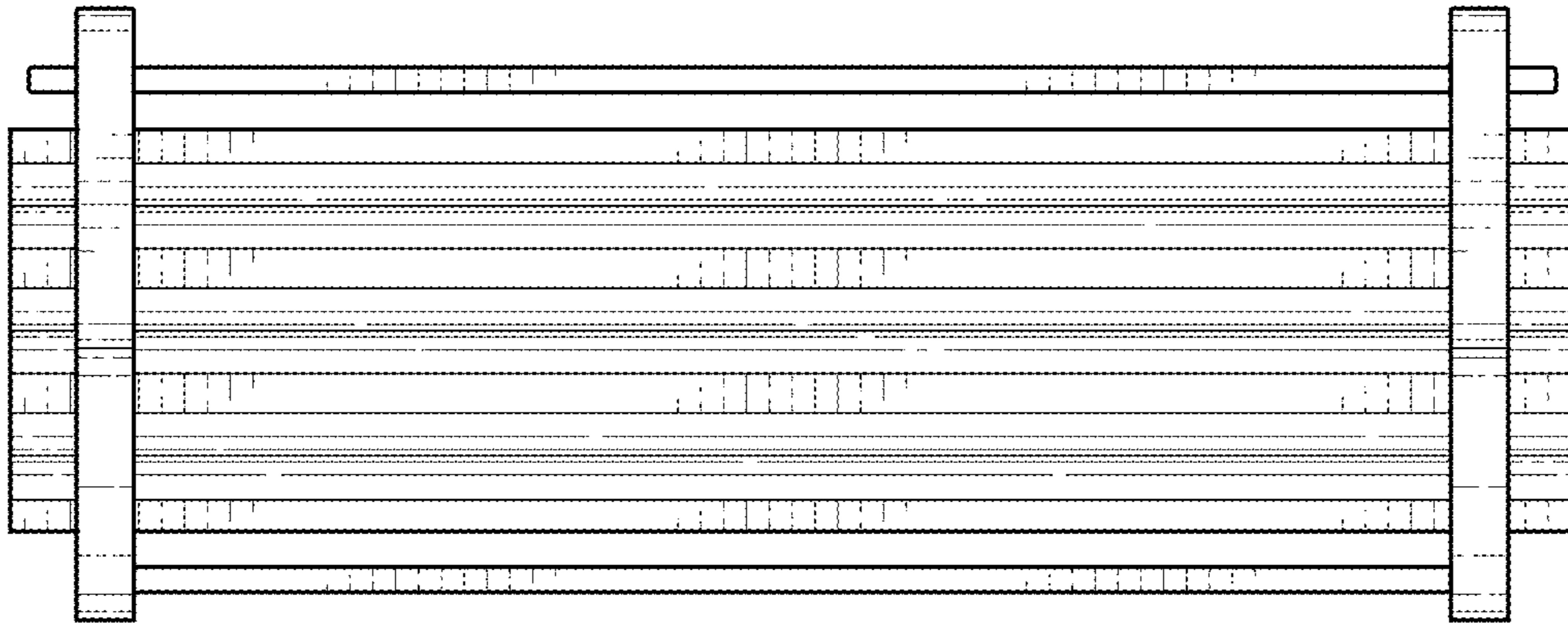


FIG. 6

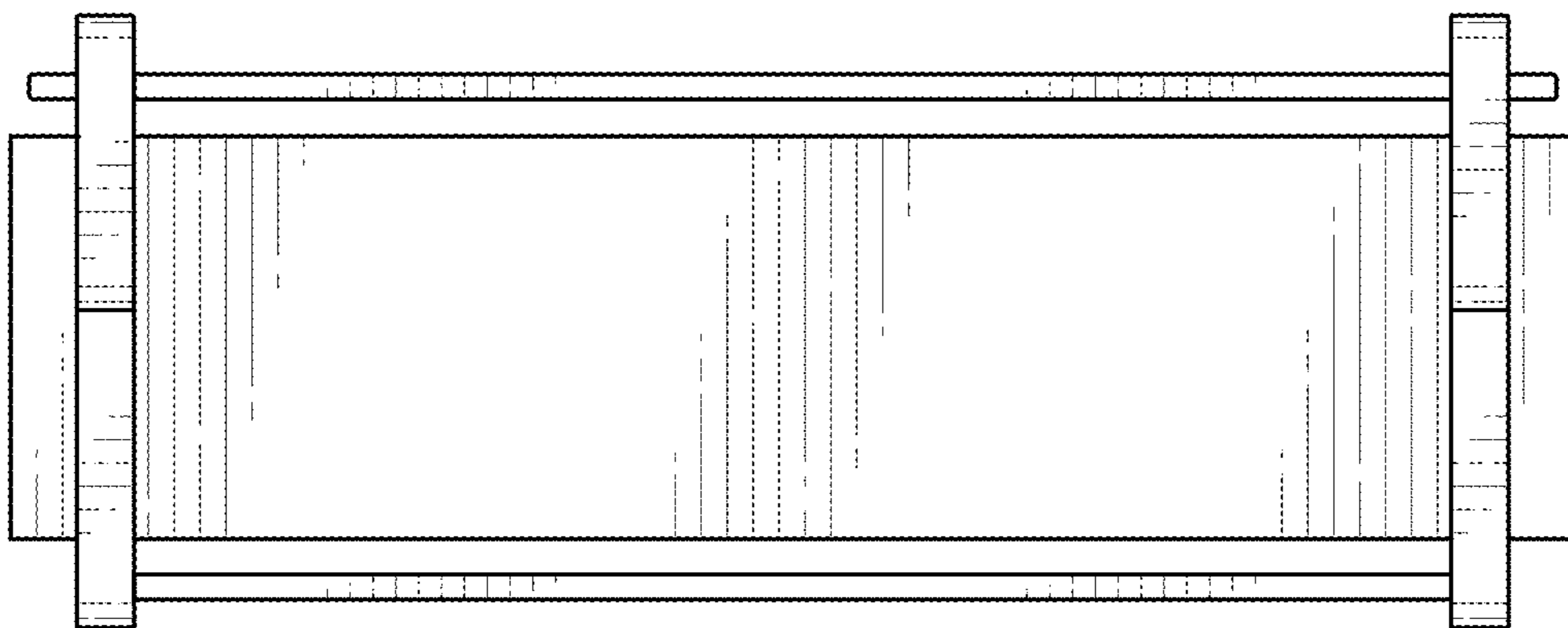


FIG. 7