



US00D973387S

(12) **United States Design Patent**
Hunt

(10) **Patent No.:** **US D973,387 S**

(45) **Date of Patent:** **** Dec. 27, 2022**

- (54) **PAPER TOWEL HOLDER**
- (71) Applicant: **Spectrum Diversified Designs, LLC**,
Streetsboro, OH (US)
- (72) Inventor: **Bridget Hunt**, Cleveland, OH (US)
- (73) Assignee: **SPECTRUM DIVERSIFIED
DESIGNS, LLC**
- (**) Term: **15 Years**
- (21) Appl. No.: **29/797,646**
- (22) Filed: **Jul. 1, 2021**
- (51) **LOC (13) Cl.** **06-04**
- (52) **U.S. Cl.**
USPC **D6/521**
- (58) **Field of Classification Search**
USPC D6/518-522; 248/309.1, 309.2;
211/13.1, 45.59, 89.01; 206/389, 391;
242/590, 597.7
CPC A47K 10/04; A47K 10/10; A47K 10/3836;
A47K 2010/324; A47K 2010/389; B08B
1/006
See application file for complete search history.

- D286,720 S * 11/1986 Minuti D6/521
- D297,895 S * 10/1988 Mattei D6/521
- 5,125,609 A * 6/1992 Demeo B44C 7/06
248/309.2
- D359,642 S * 6/1995 Ahern, Jr. D6/521
- D431,138 S * 9/2000 Huggins D6/521
- D519,765 S * 5/2006 Sellers D6/521
- D878,077 S * 3/2020 Goodman D6/521
- D880,891 S * 4/2020 Zhou D6/521
- D887,169 S * 6/2020 Kauffman D6/521
- 2007/0262191 A1* 11/2007 Amron A47K 10/3836
242/597.7
- 2018/0213982 A1* 8/2018 Taylor A47K 10/22

* cited by examiner

Primary Examiner — Nathan M Johnston
(74) *Attorney, Agent, or Firm* — Tucker Ellis LLP

(57) **CLAIM**

The ornamental design for a paper towel holder, as shown and described.

DESCRIPTION

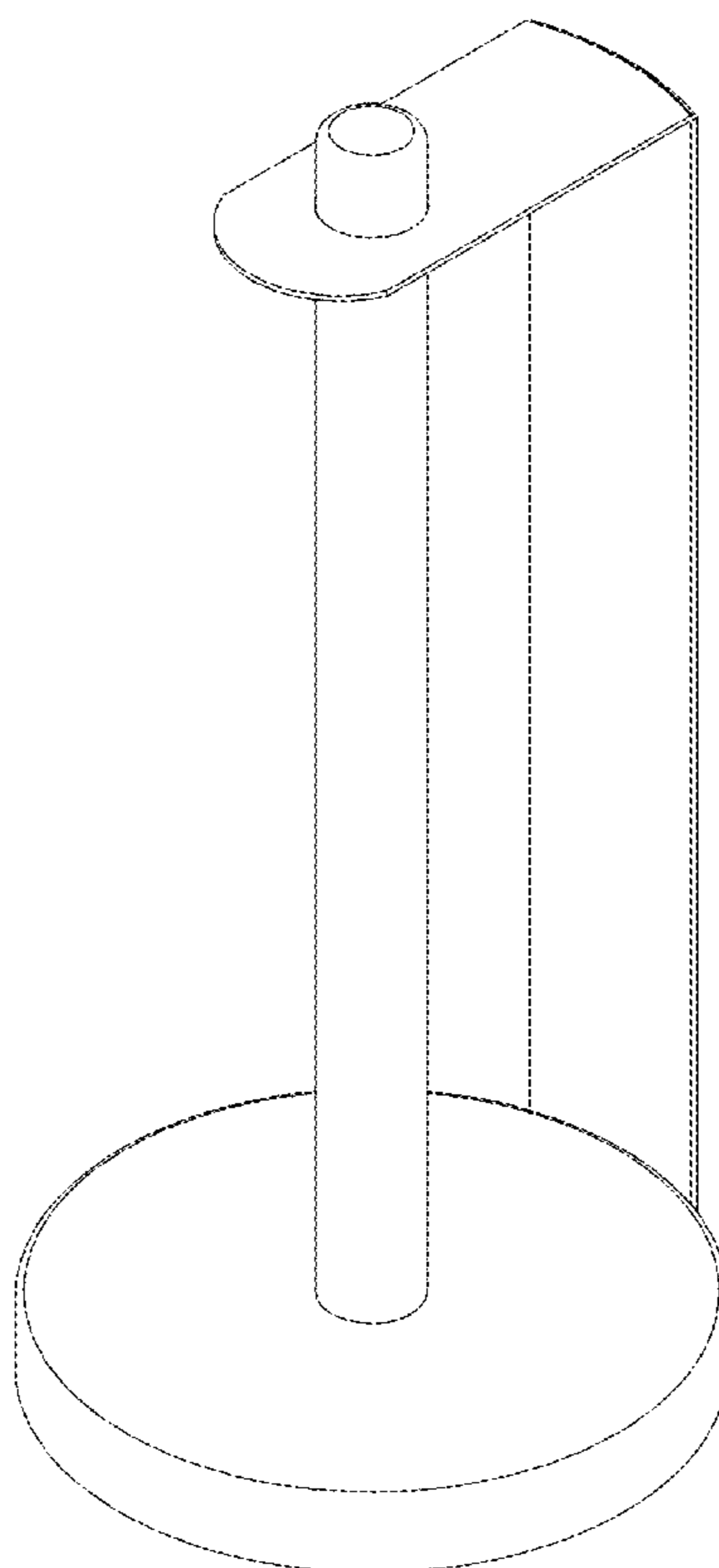
FIG. 1 is a front perspective view of a paper towel holder showing my new design.
FIG. 2 is a rear perspective view thereof.
FIG. 3 is a front view thereof.
FIG. 4 is a rear view thereof.
FIG. 5 is a left side view thereof.
FIG. 6 is a right side view thereof.
FIG. 7 is a top view thereof; and,
FIG. 8 is a bottom view thereof.

(56) **References Cited**

U.S. PATENT DOCUMENTS

- D253,265 S * 10/1979 Miller D6/521
- D260,061 S * 8/1981 Smith D6/521

1 Claim, 7 Drawing Sheets



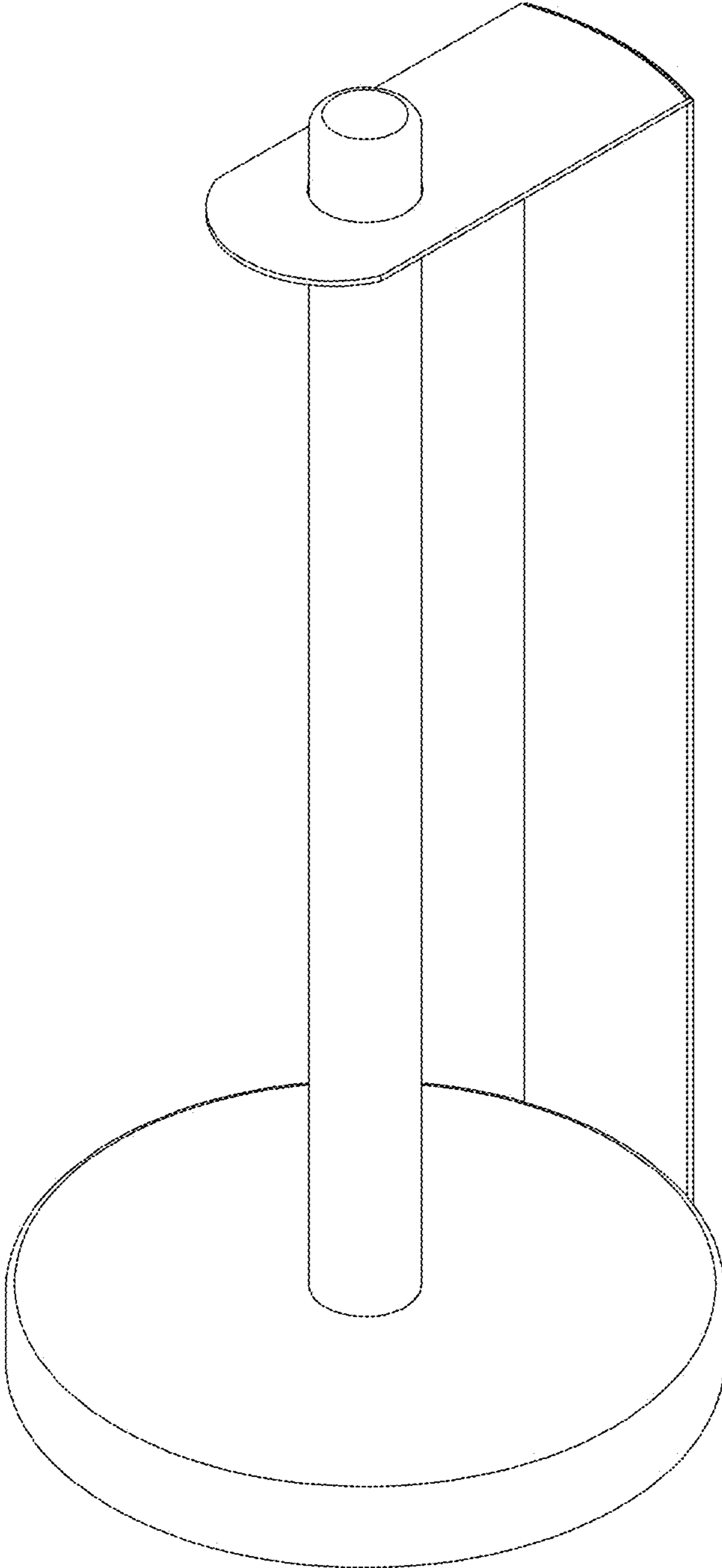


FIG. 1

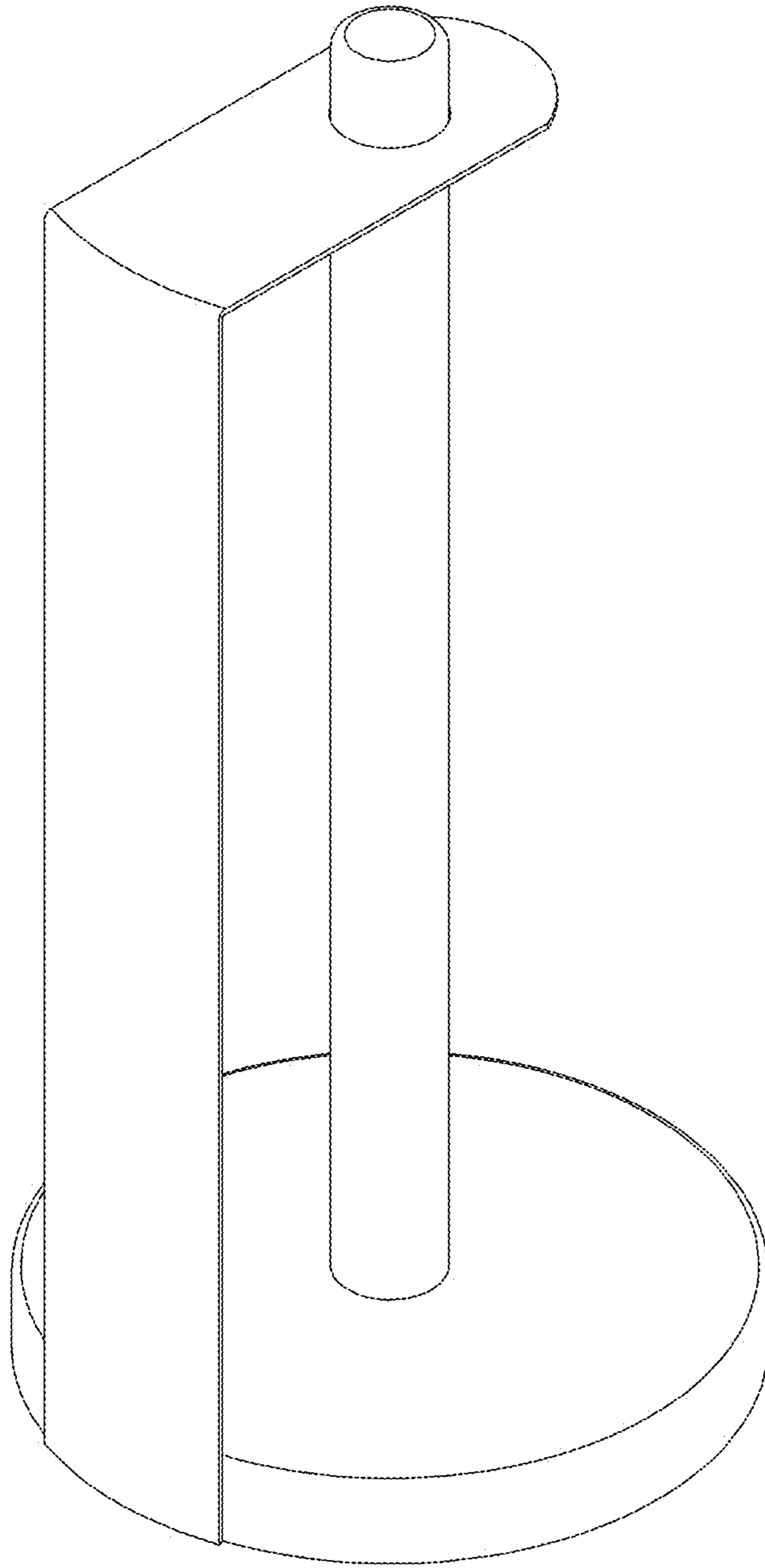


FIG. 2

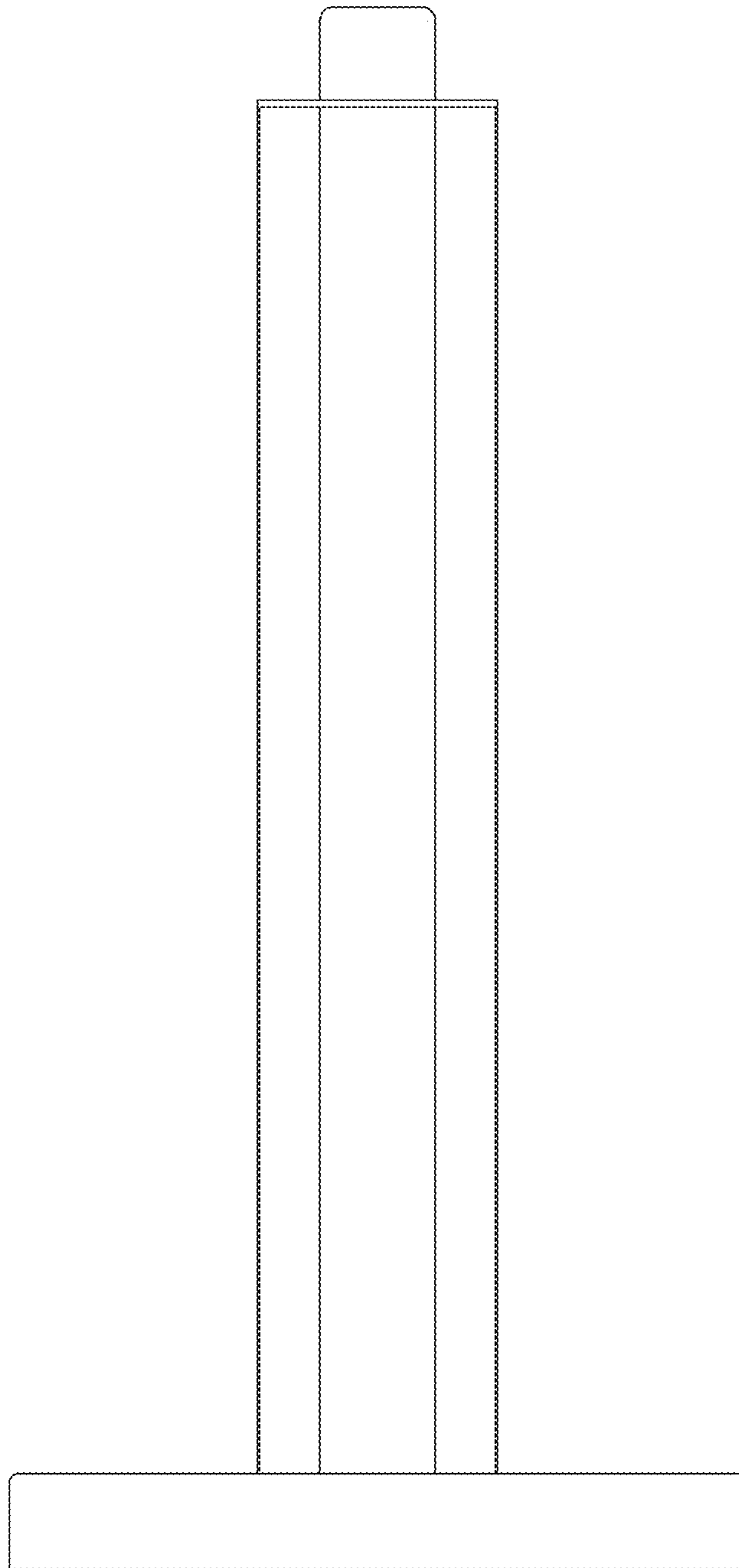


FIG. 3

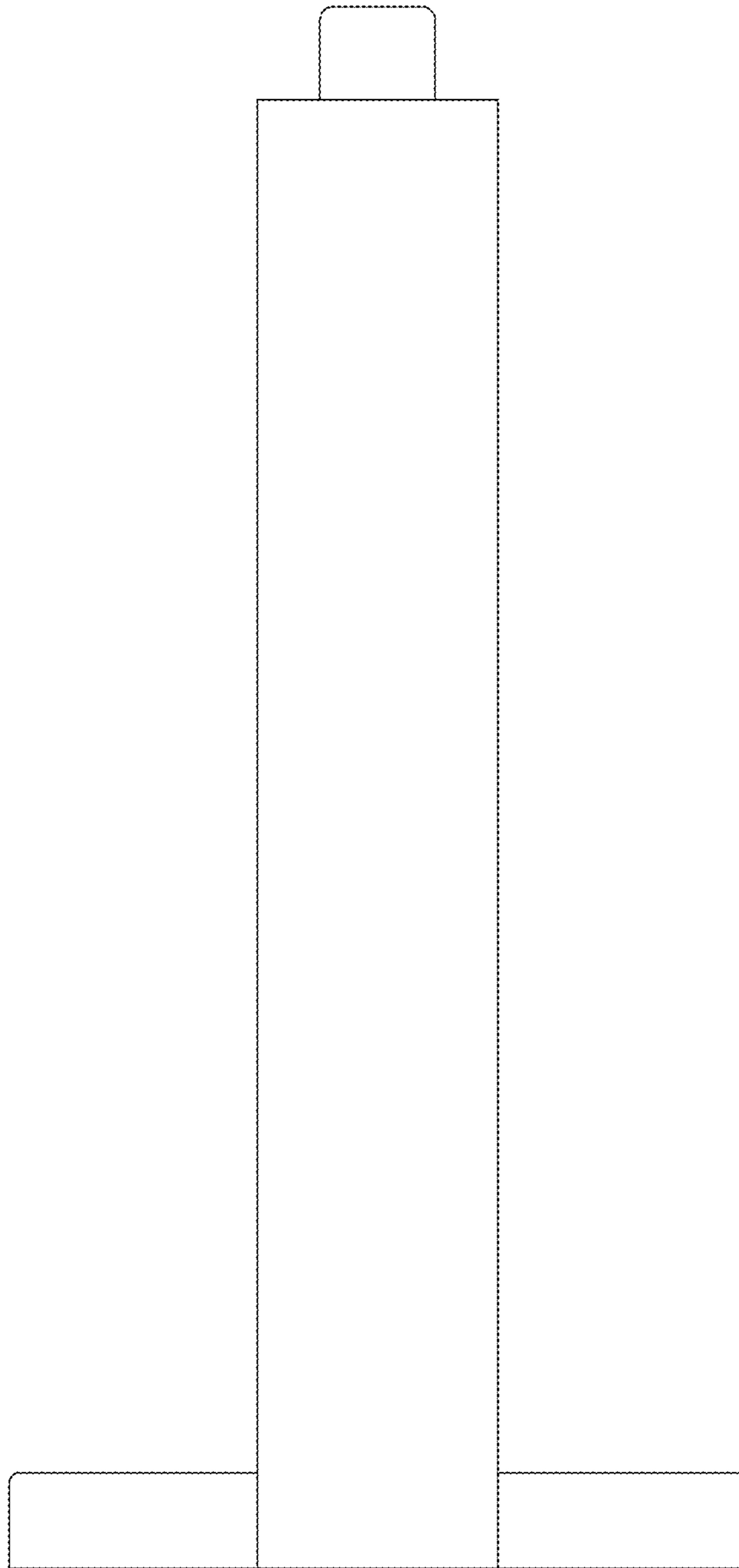


FIG. 4

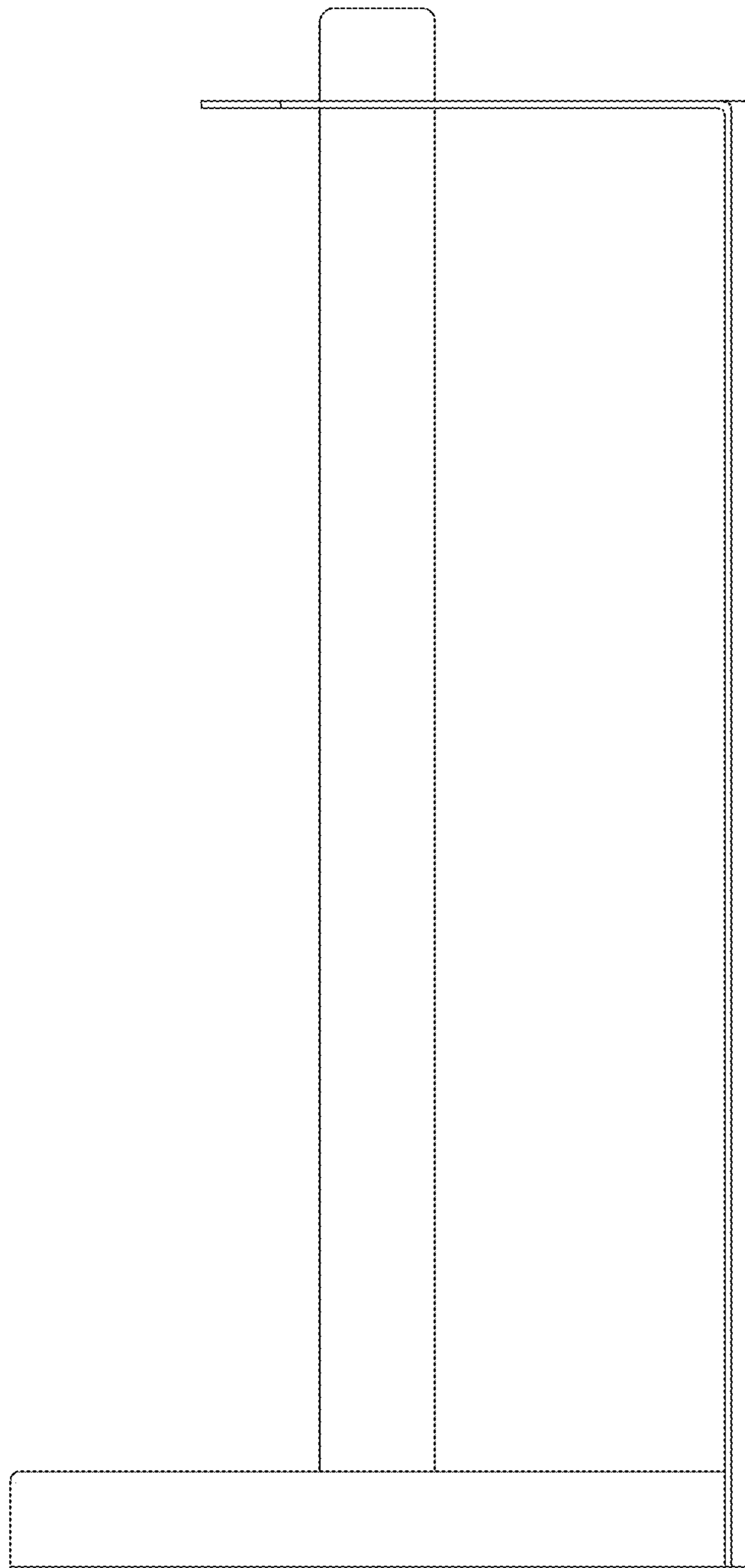


FIG. 5

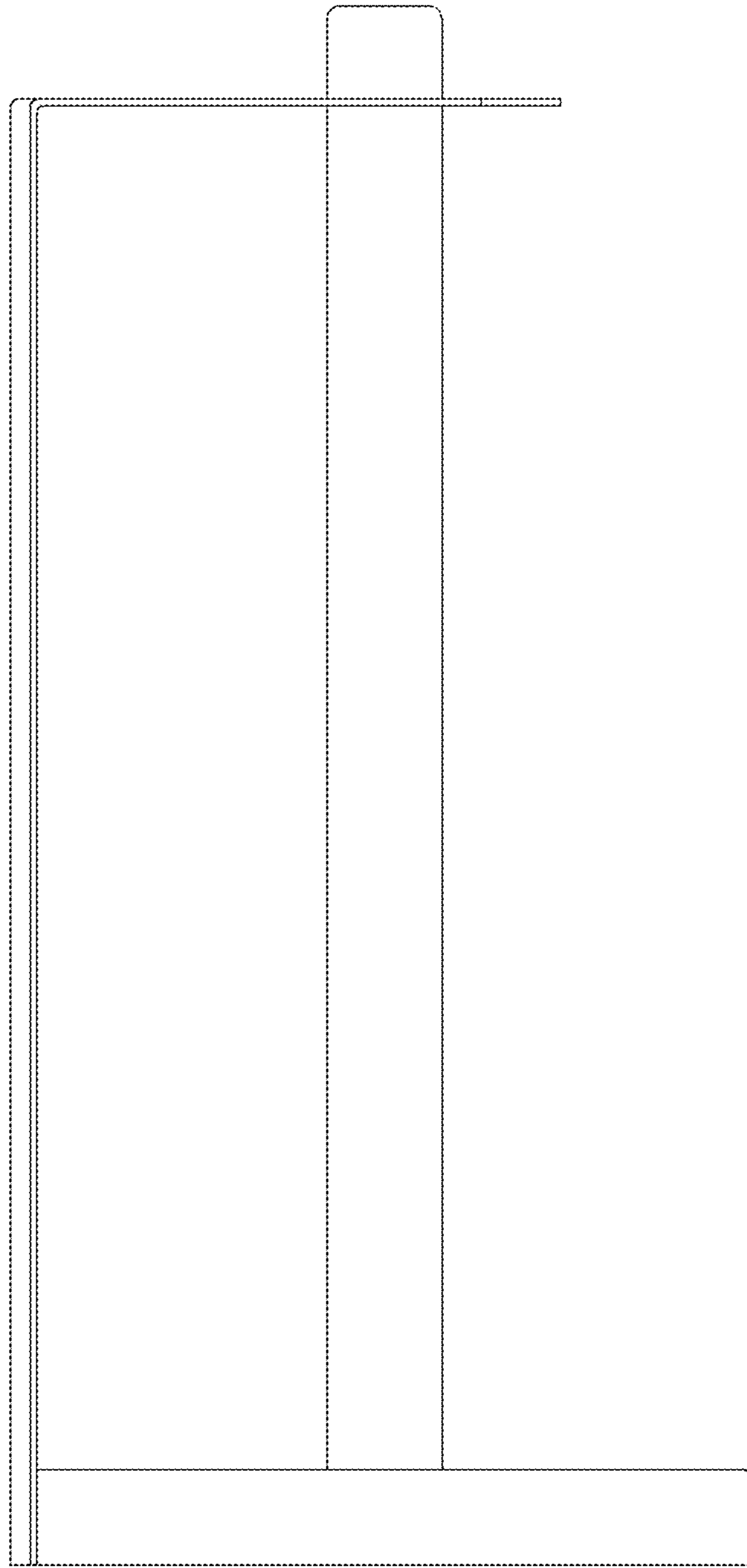


FIG. 6

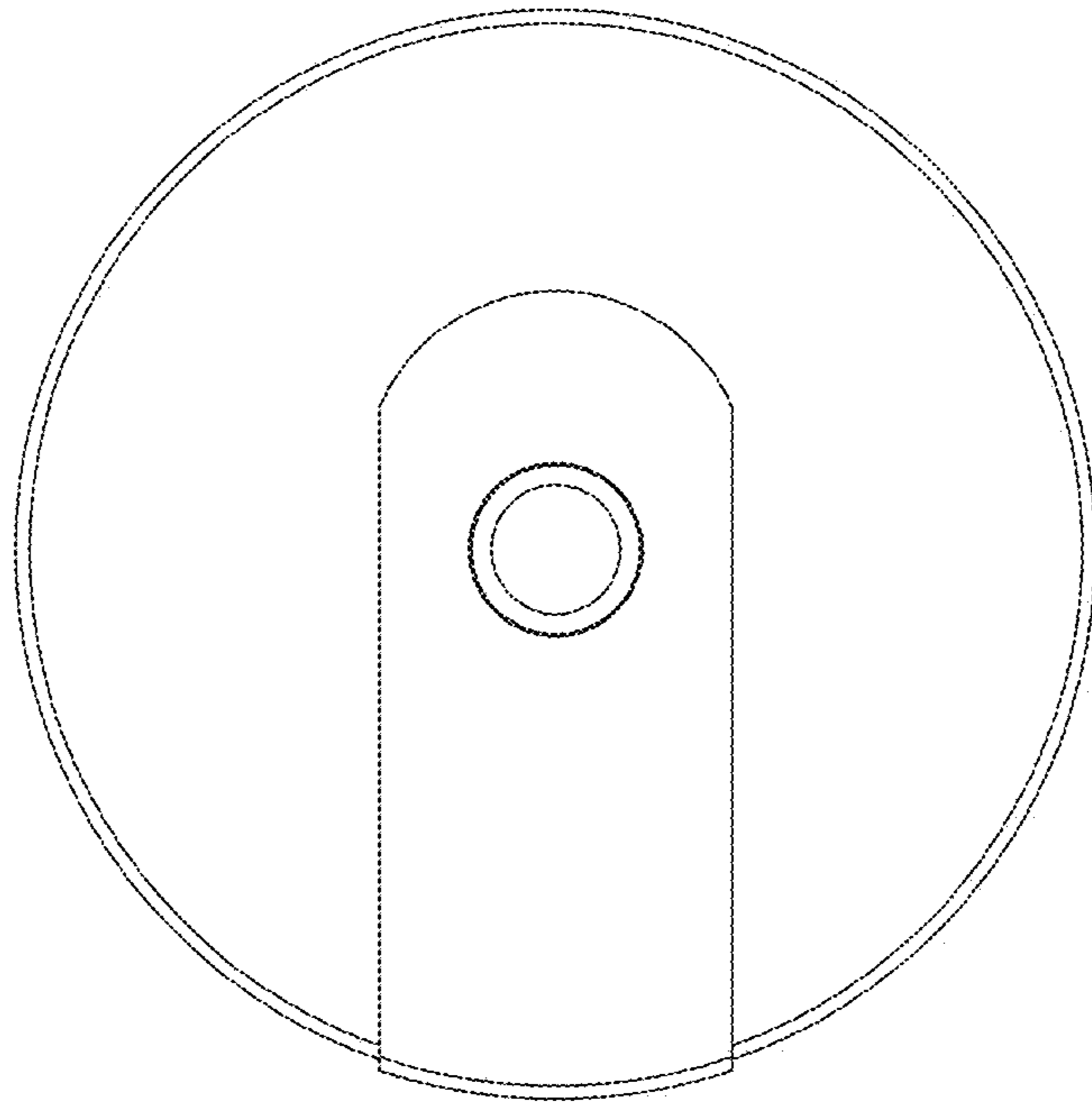


FIG. 7

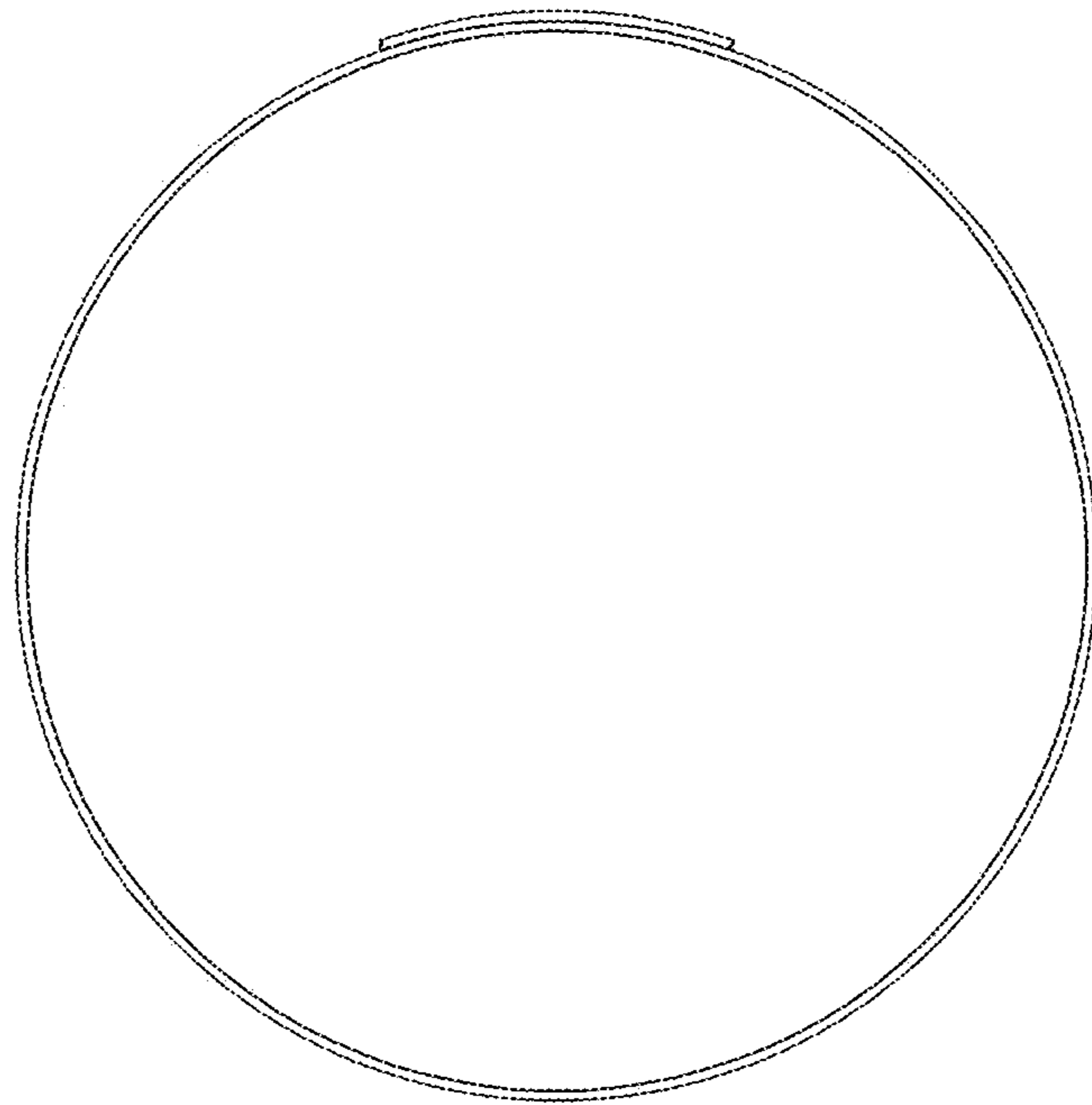


FIG. 8