



US00D973386S

(12) **United States Design Patent**  
**Wei**

(10) **Patent No.:** **US D973,386 S**  
(45) **Date of Patent:** **\*\* Dec. 27, 2022**

- (54) **KITCHEN ORGANIZER**
- (71) Applicant: **Yongjin Wei**, Guangxi Province (CN)
- (72) Inventor: **Yongjin Wei**, Guangxi Province (CN)
- (\*\*) Term: **15 Years**
- (21) Appl. No.: **29/837,661**
- (22) Filed: **May 6, 2022**
- (51) **LOC (13) Cl.** ..... **20-02**
- (52) **U.S. Cl.**  
USPC ..... **D6/520**
- (58) **Field of Classification Search**  
USPC ..... D6/515-523; D9/307, 521, 529, 419,  
D9/420; D3/20, 301, 201, 304; D34/10;  
D19/67, 134; D7/601, 631, 632  
CPC .... A47F 7/021; A47F 5/05; A47F 7/00; A47F  
1/126; A47F 7/163; A47F 13/08; A47K  
10/40; A47K 10/3836; A47K 10/16;  
A47K 2010/3266; A47K 10/42; A47K  
10/426; B66D 1/7442; B65D 85/00;  
B65D 81/00; B65D 81/22; B65D 83/0805  
See application file for complete search history.

- D686,842 S 7/2013 Murphy
- D686,843 S 7/2013 Murphy
- D787,342 S \* 5/2017 Romito ..... D9/730
- D886,487 S \* 6/2020 Sukyas ..... D6/518

**OTHER PUBLICATIONS**

Amazon.com, Sinyee Foil and Plastic Wrap Organizer Dispenser, Jun. 26, 2022, [https://www.amazon.com/dp/B09YHNM11N?ref=vse\\_pfo\\_vdp](https://www.amazon.com/dp/B09YHNM11N?ref=vse_pfo_vdp) (Year: 2022).\*

\* cited by examiner

*Primary Examiner* — Nathan M Johnston  
(74) *Attorney, Agent, or Firm* — Che-Yang Chen; Law Office of Michael Chen

(57) **CLAIM**

The ornamental design for a kitchen organizer, as shown and described.

**DESCRIPTION**

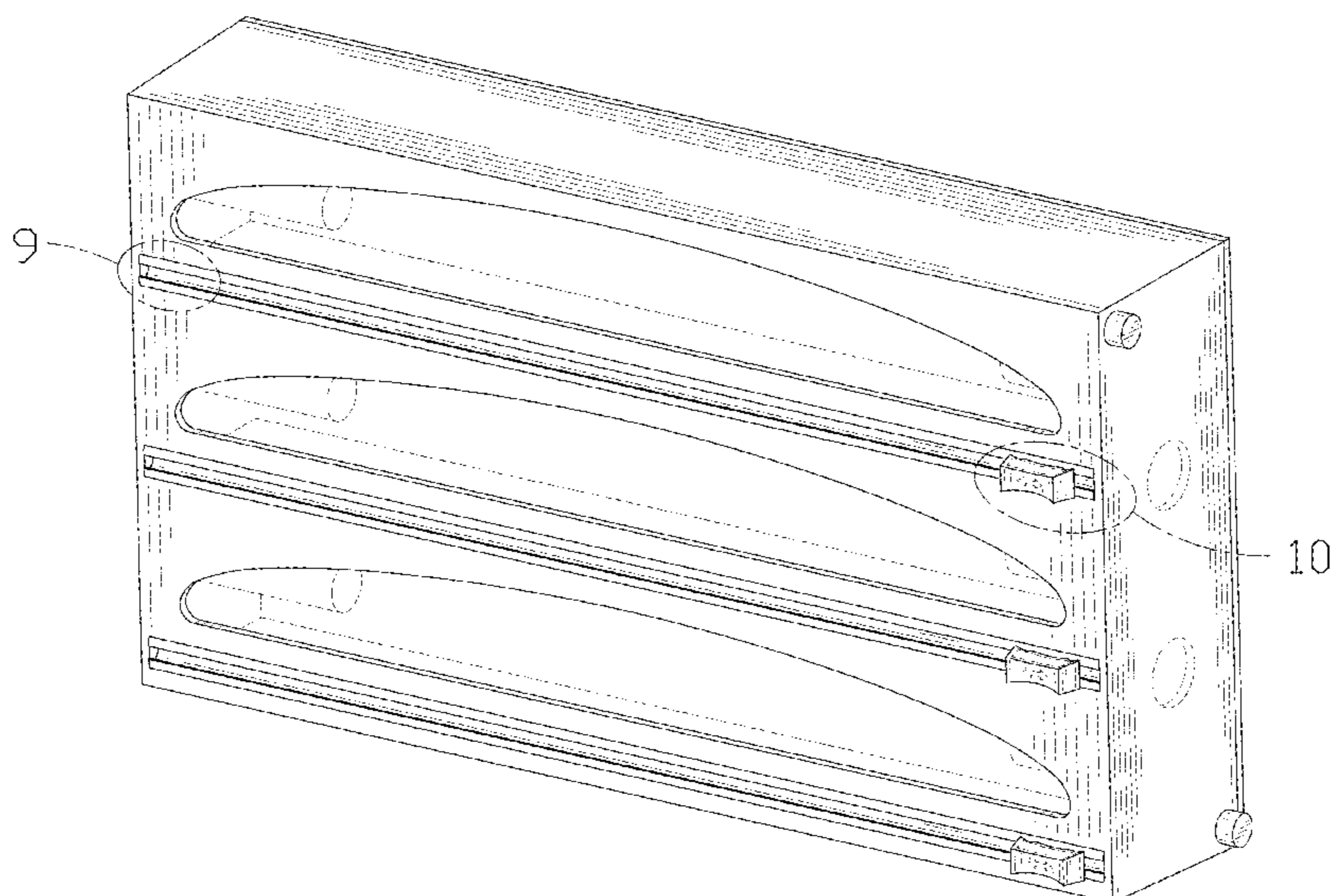
FIG. 1 is a perspective view of the kitchen organizer showing my new design;  
 FIG. 2 is a perspective view thereof from another angle;  
 FIG. 3 is a front elevational view thereof;  
 FIG. 4 is a rear elevational view thereof;  
 FIG. 5 is a left side elevational view thereof;  
 FIG. 6 is a right side elevational view thereof;  
 FIG. 7 is a top plan view thereof;  
 FIG. 8 is a bottom plan view thereof;  
 FIG. 9 is a partial enlarged view of portion 9 in FIG. 1;  
 FIG. 10 is a partial enlarged view of portion 10 in FIG. 1; and,  
 FIG. 11 is a perspective view of the kitchen organizer when a bottom portion is detached therefrom.  
 The broken lines shown in the drawings are included for the purpose of illustrating portions of the kitchen organizer that form no part of the claimed design.

**1 Claim, 11 Drawing Sheets**

(56) **References Cited**

**U.S. PATENT DOCUMENTS**

- D162,809 S \* 4/1951 Gay ..... D27/176
- D334,498 S \* 4/1993 Romme ..... D9/418
- D364,298 S \* 11/1995 Phifer ..... D6/515
- D392,482 S \* 3/1998 Seenath ..... D9/418
- D421,863 S \* 3/2000 Tetreault ..... D6/657
- D424,342 S \* 5/2000 Pasquale ..... D6/519
- D430,436 S \* 9/2000 Shimbo ..... D6/515
- D432,341 S \* 10/2000 Shimbo ..... D6/515
- D523,267 S \* 6/2006 Mays-Hobbs ..... D6/518
- D530,947 S \* 10/2006 Garcia-Elste ..... D6/520
- D645,220 S \* 9/2011 Yang ..... D34/10
- D670,517 S 11/2012 Murphy
- D681,378 S 5/2013 Murphy
- D681,986 S 5/2013 Murphy
- D683,986 S 6/2013 Murphy



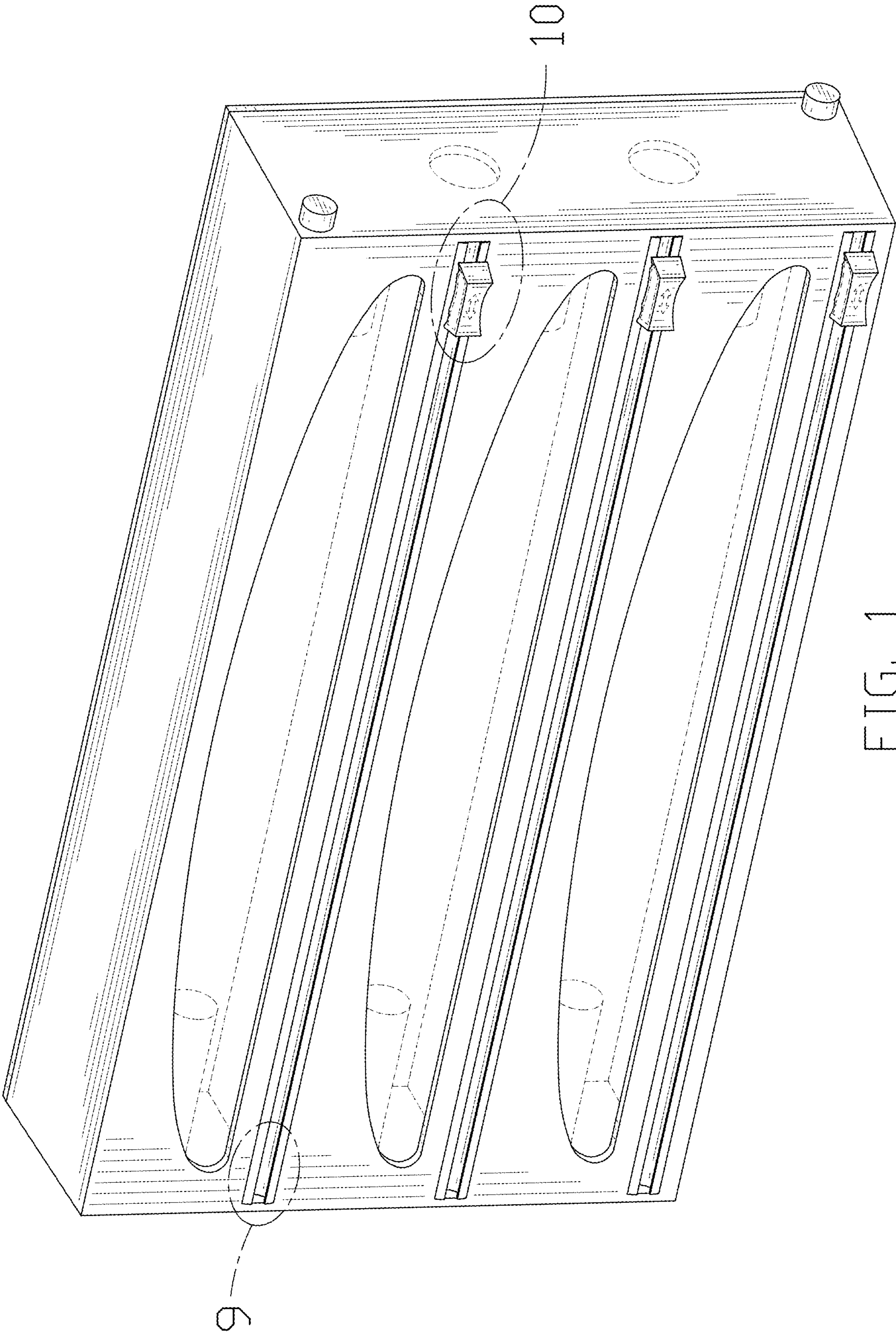


FIG. 1

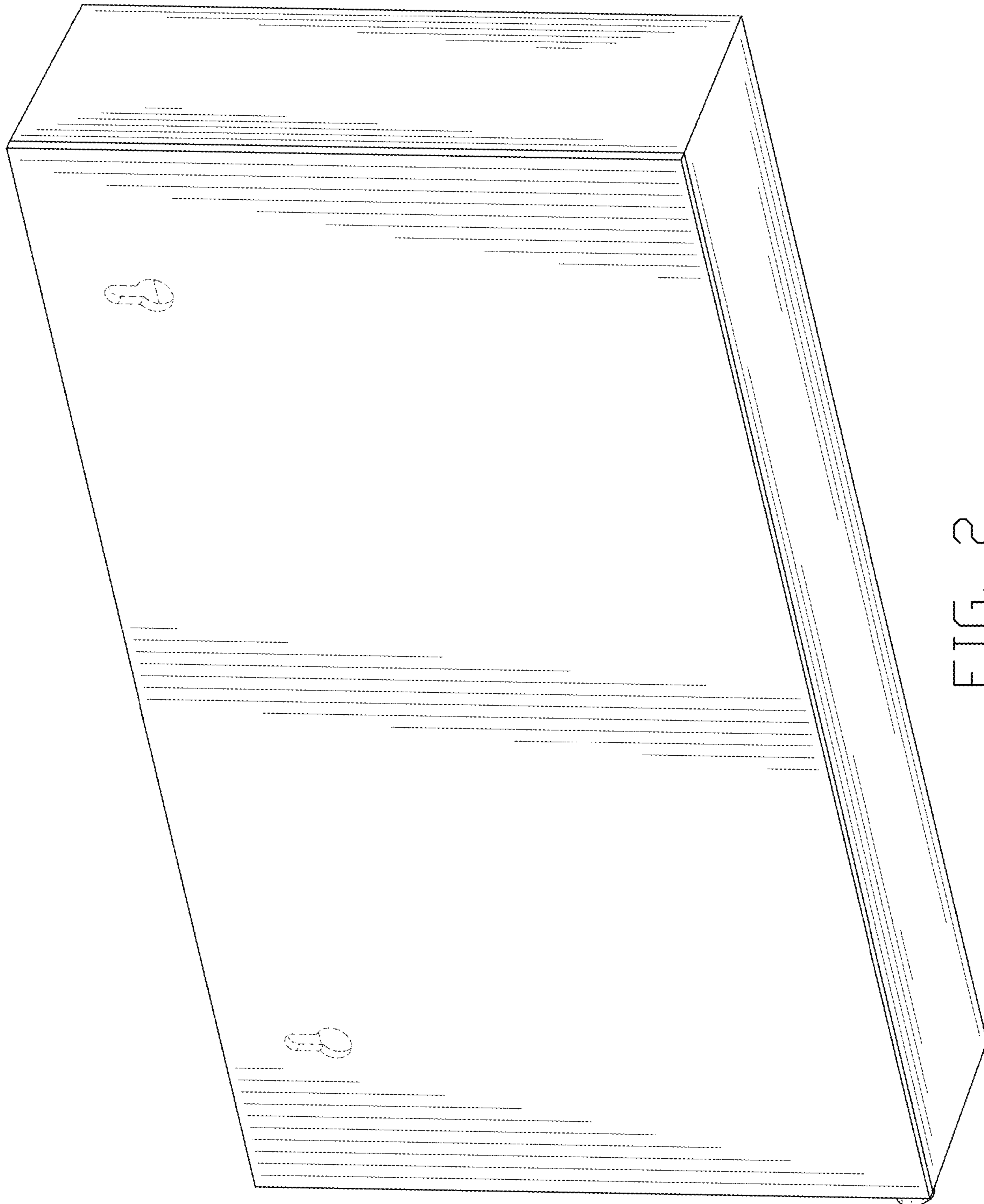


FIG. 2

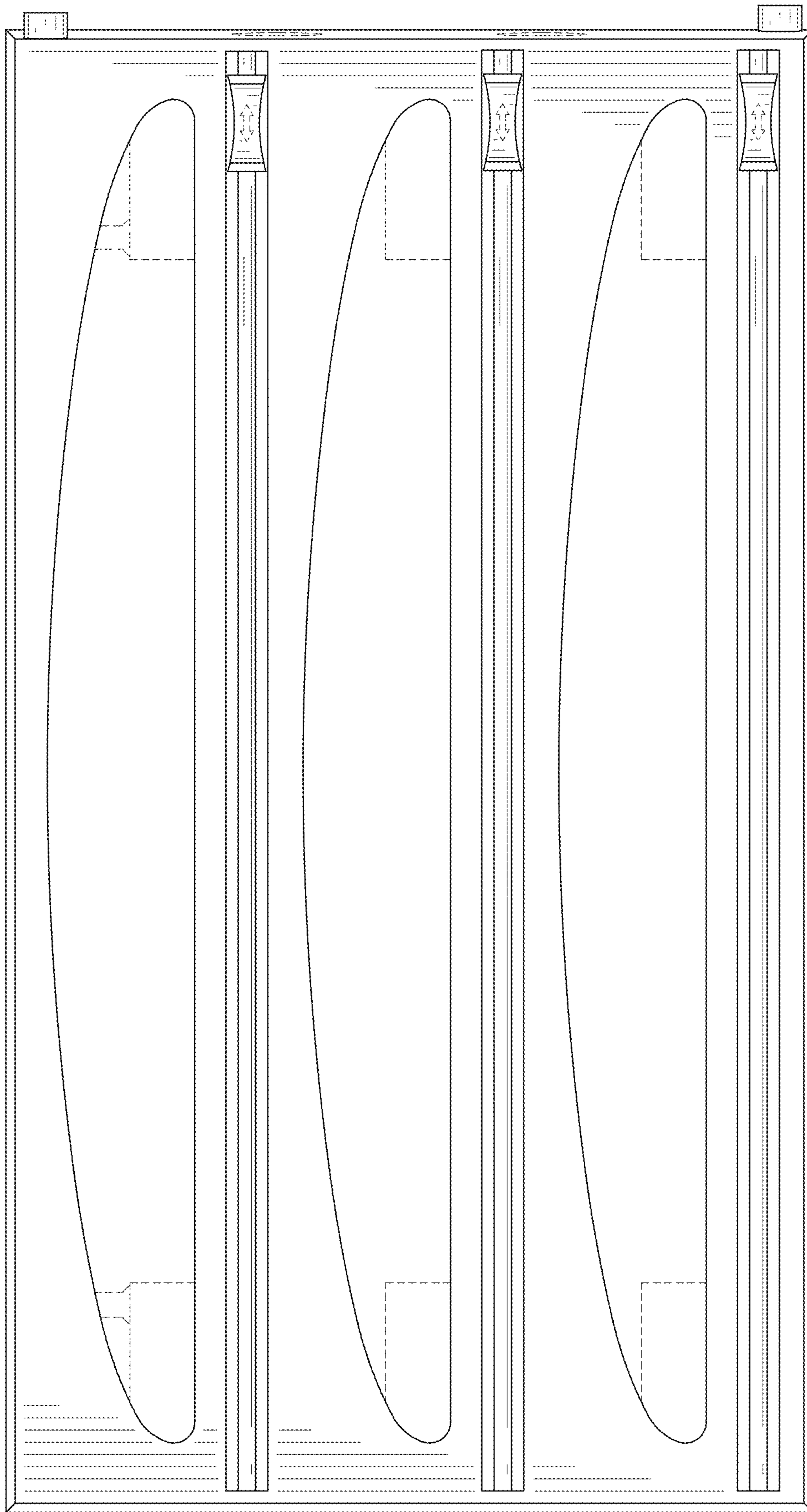


FIG. 3

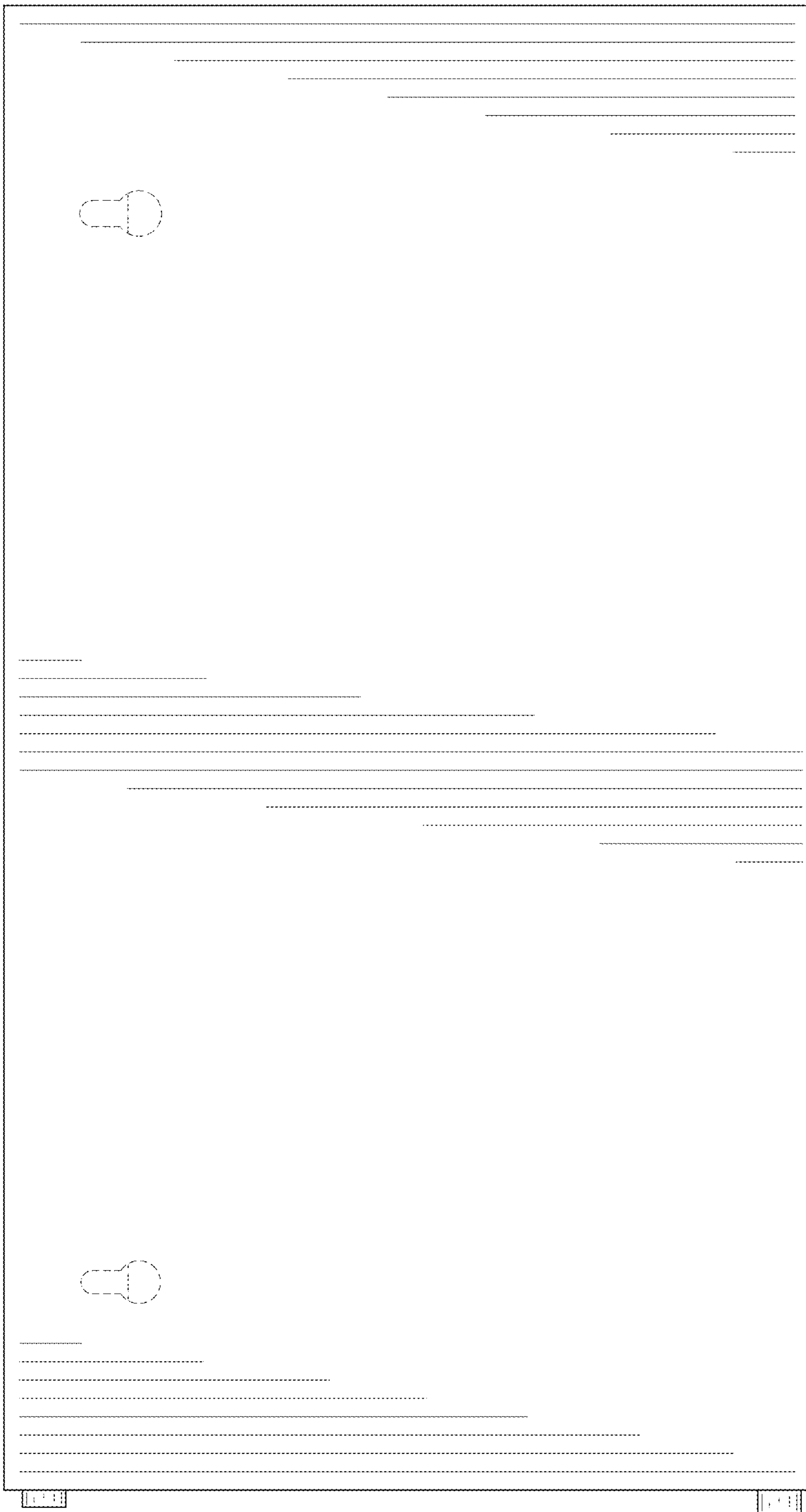


FIG. 4

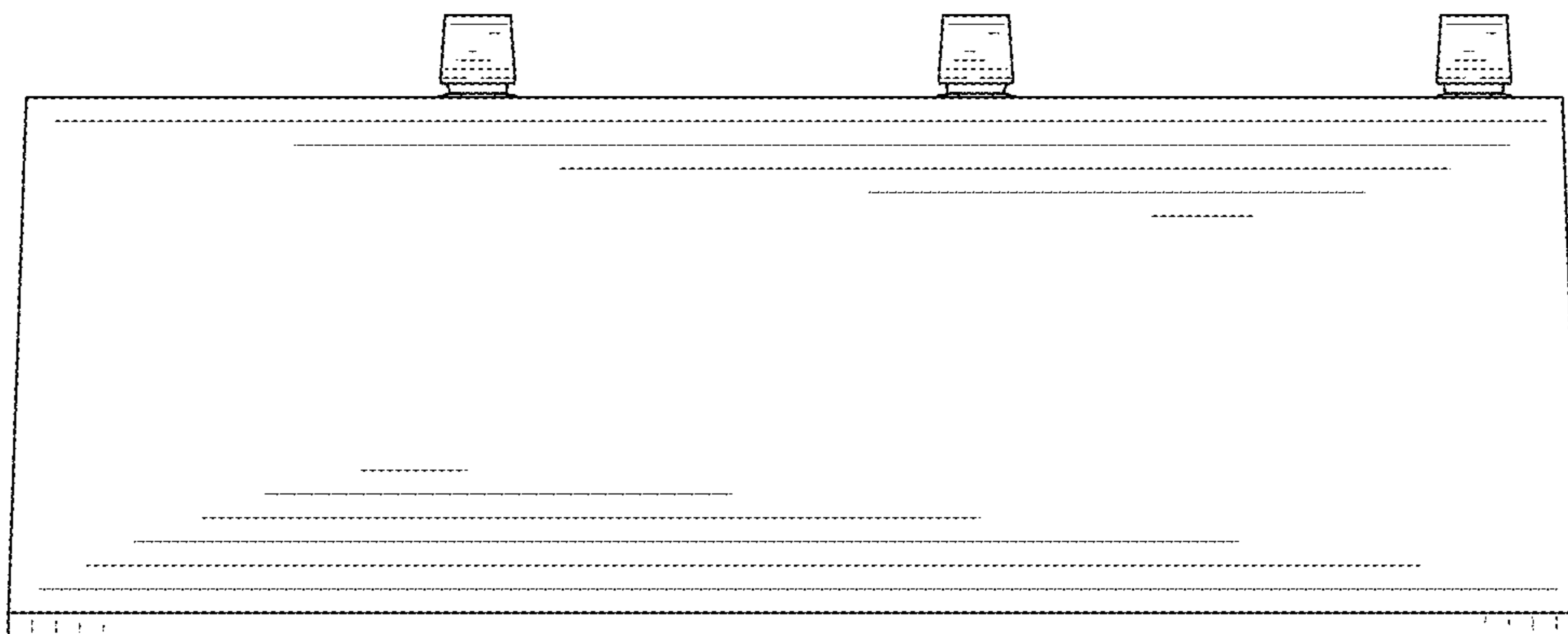


FIG. 5

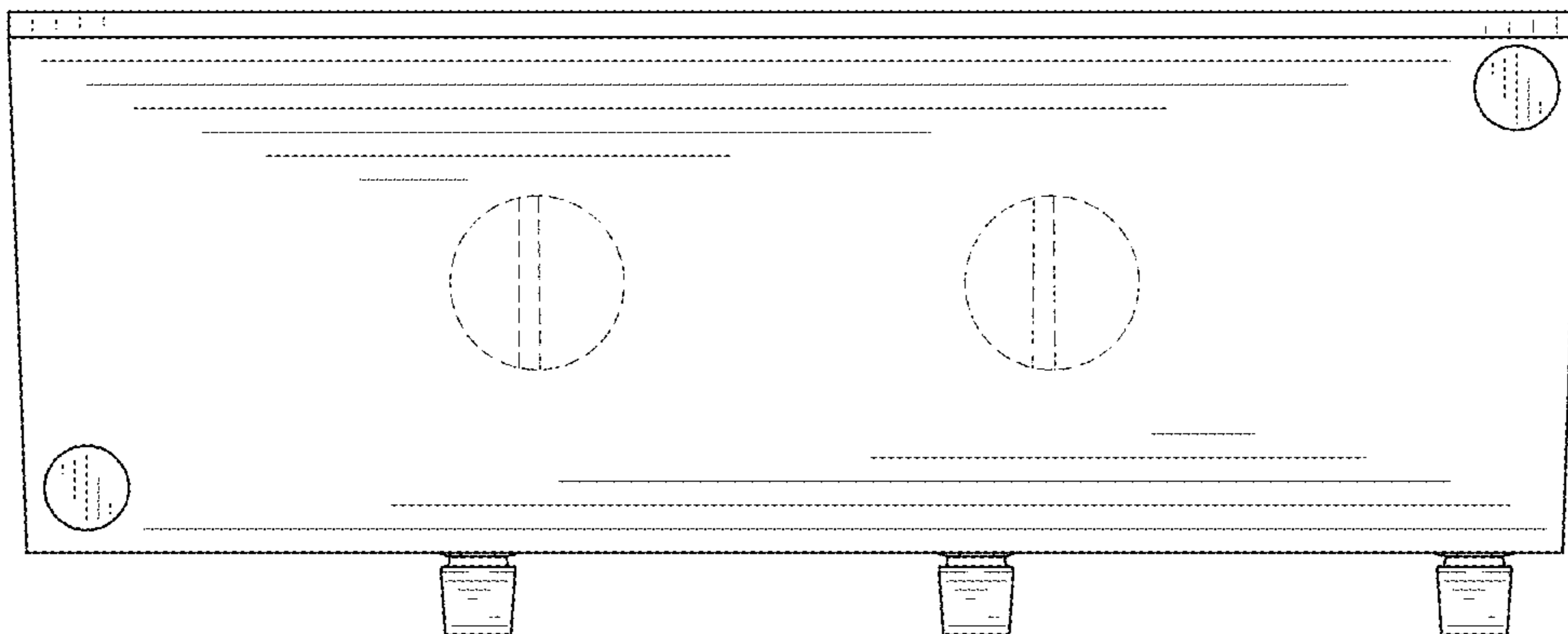


FIG. 6

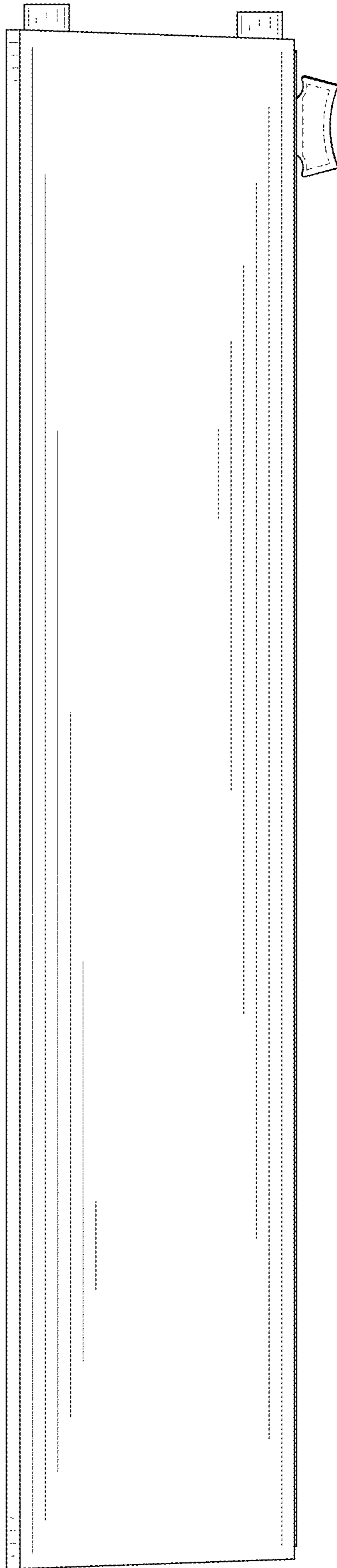


FIG. 7



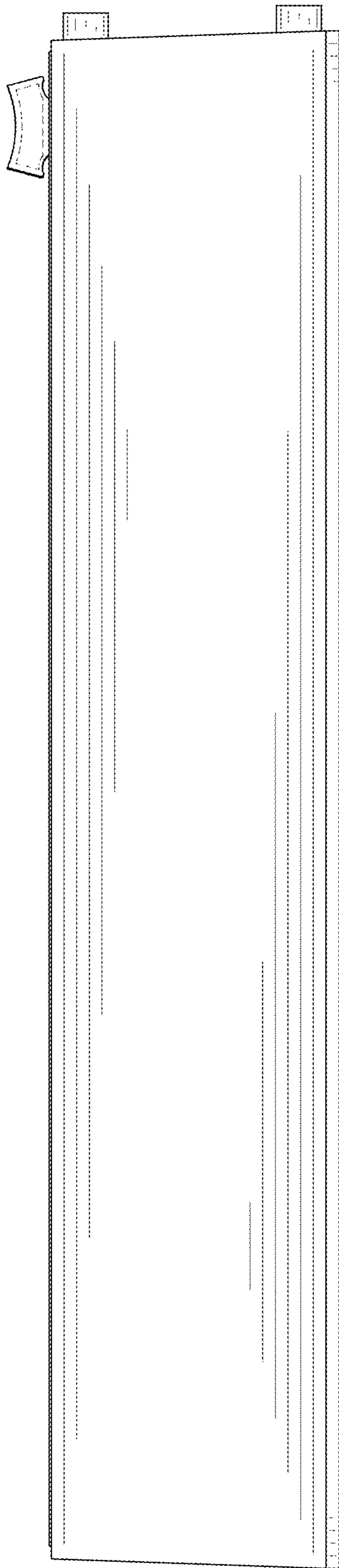


FIG. 8

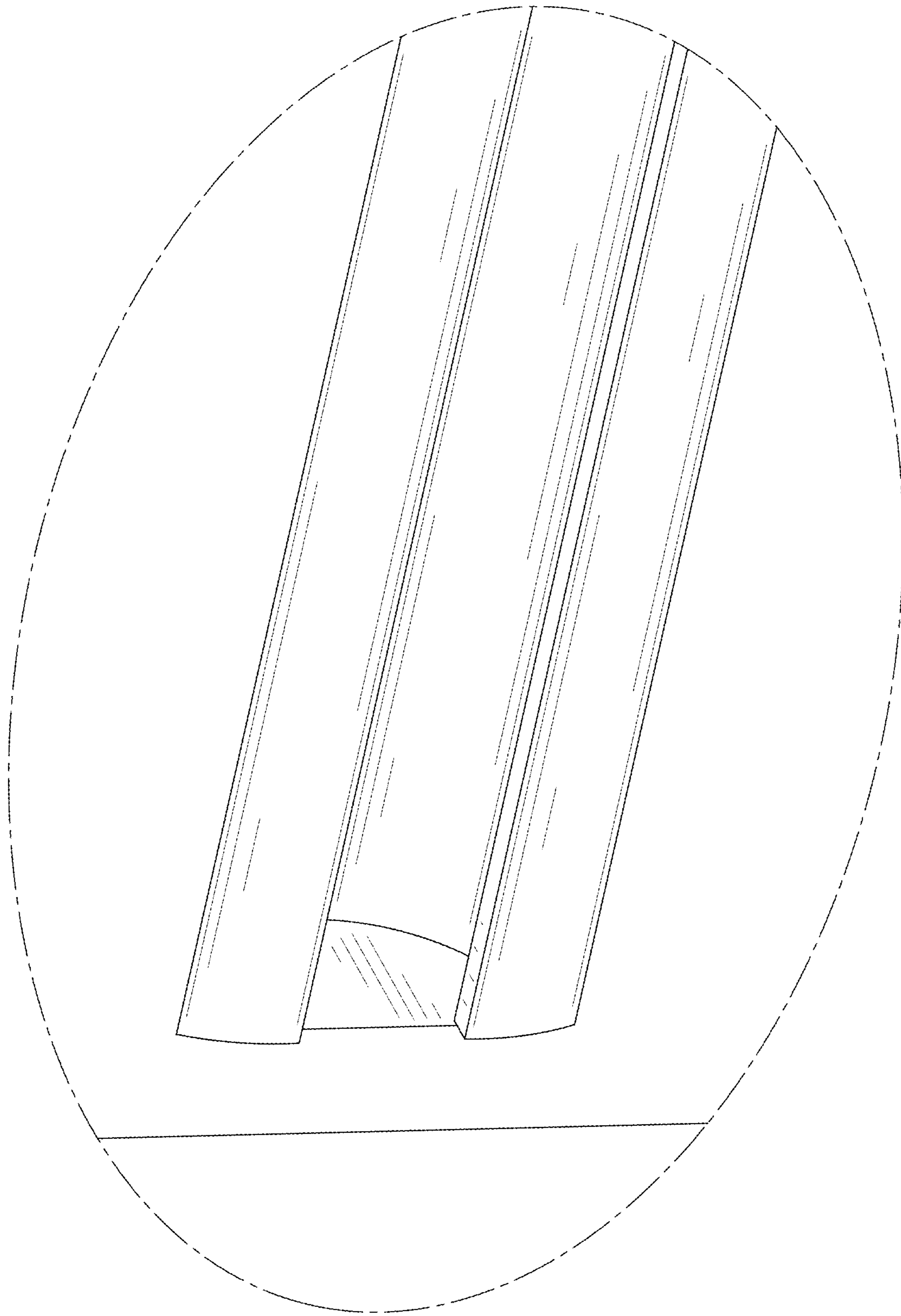


FIG. 9

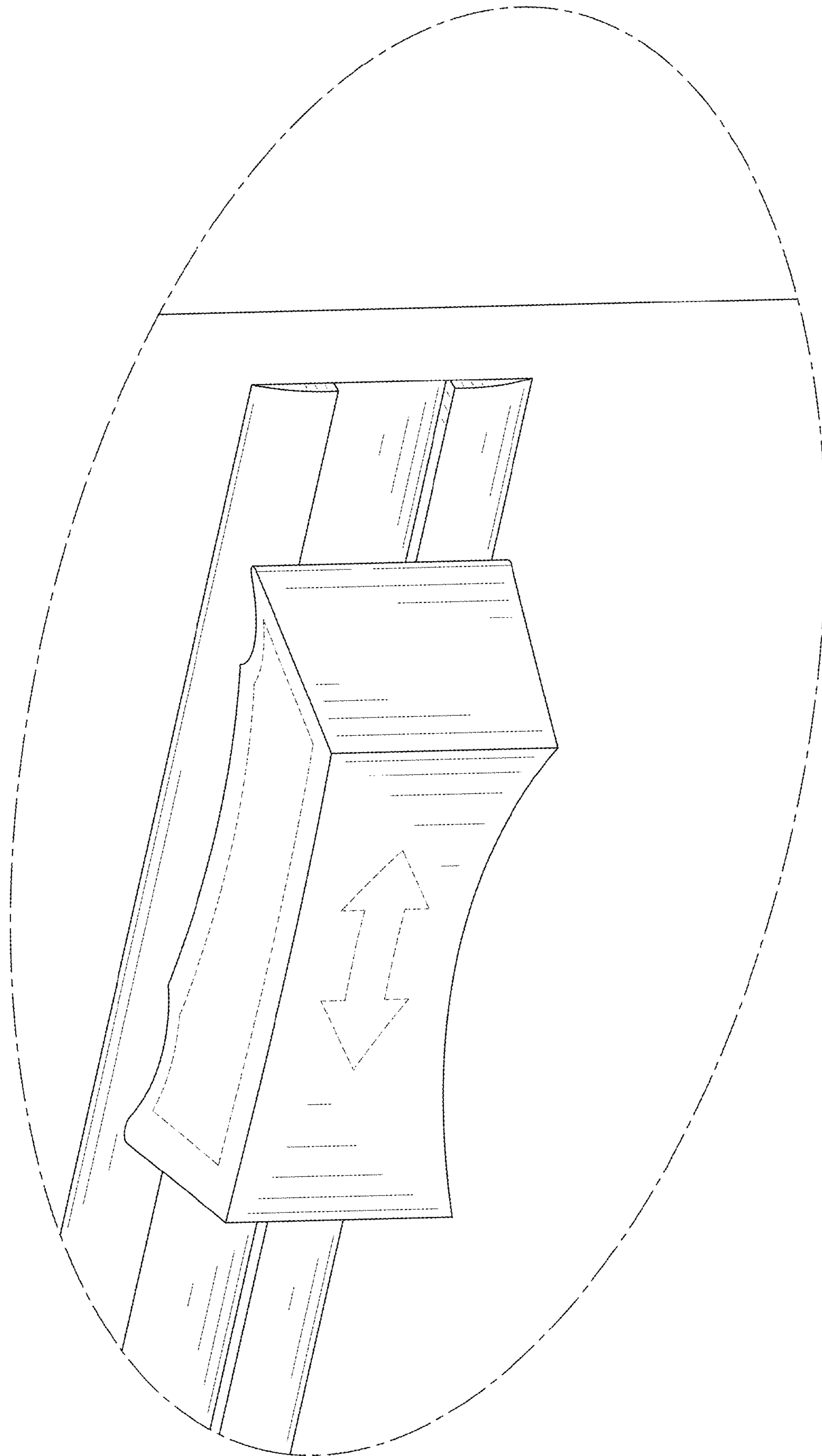


FIG. 10

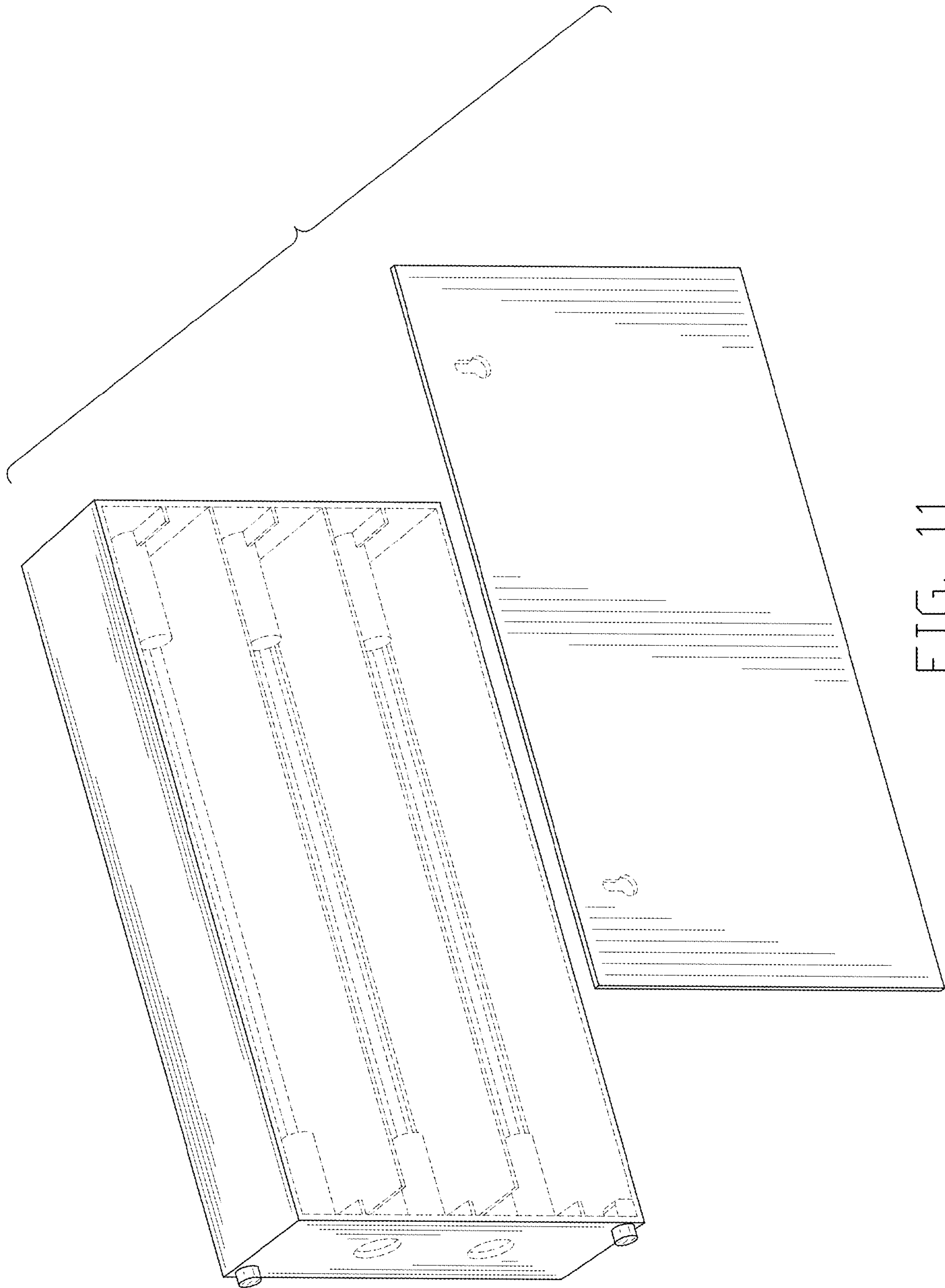


FIG. 11