



US00D973385S

(12) **United States Design Patent** (10) **Patent No.:** **US D973,385 S**
Li (45) **Date of Patent:** **** Dec. 27, 2022**

(54) **BAG STORAGE ORGANIZER**
(71) Applicant: **Quanzhou Jiejunqiu Network Technology Co., Ltd., Quanzhou (CN)**
(72) Inventor: **Jie Li, Quanzhou (CN)**
(**) Term: **15 Years**
(21) Appl. No.: **29/819,425**

D523,267 S * 6/2006 Mays-Hobbs D6/518
D530,947 S * 10/2006 Garcia-Elste D6/520
D577,196 S * 9/2008 Hayden
D579,702 S * 11/2008 McArdle D9/661
D634,138 S * 3/2011 Wallace D6/518
D645,220 S * 9/2011 Yang D34/10
D660,626 S * 5/2012 Garner D6/520
D668,047 S * 10/2012 Cenzano
D670,517 S * 11/2012 Murphy D6/515
D681,378 S * 5/2013 Murphy D6/515
D681,986 S * 5/2013 Murphy D6/515

(Continued)

(22) Filed: **Dec. 15, 2021**
(51) **LOC (13) Cl.** **20-02**
(52) **U.S. Cl.**
USPC **D6/515**
(58) **Field of Classification Search**
USPC D6/515-523; D9/307, 521, 529, 419,
D9/420; D3/20, 301, 201, 304; D34/10;
D19/67, 134; D7/601, 631, 632
CPC A47F 7/021; A47F 5/05; A47F 7/00; A47F
1/126; A47F 7/163; A47F 13/08; A47K
10/40; A47K 10/3836; A47K 10/16;
A47K 2010/3266; A47K 10/42; A47K
10/426; B66D 1/7442; B65D 85/00;
B65D 81/00; B65D 81/22; B65D 83/0805
See application file for complete search history.

(56) **References Cited**
U.S. PATENT DOCUMENTS

D162,809 S * 4/1951 Gay D27/176
D206,113 S * 11/1966 Basimis D6/519
D334,498 S * 4/1993 Romme D9/418
D339,943 S * 10/1993 Romme D6/515
D364,298 S * 11/1995 Phifer D6/515
D392,482 S * 3/1998 Seenath D9/418
D402,106 S 12/1998 Buckingham
D417,956 S 12/1999 Story
D421,863 S * 3/2000 Tetreault D6/657
D424,342 S * 5/2000 Pasquale D6/519
D430,436 S * 9/2000 Shimbo D6/515
D432,341 S * 10/2000 Shimbo D6/515
D434,256 S * 11/2000 Shimbo D6/515
D444,626 S 7/2001 Anderson

OTHER PUBLICATIONS

Amazon.com, SWBIYING Ziplock Bag Storage Organizer for Drawer, May 2, 2022, <https://www.amazon.com/dp/B09ZBDGY1N> (Year: 2022).*

Primary Examiner — Nathan M Johnston
(74) *Attorney, Agent, or Firm* — Rumit Ranjit Kanakia

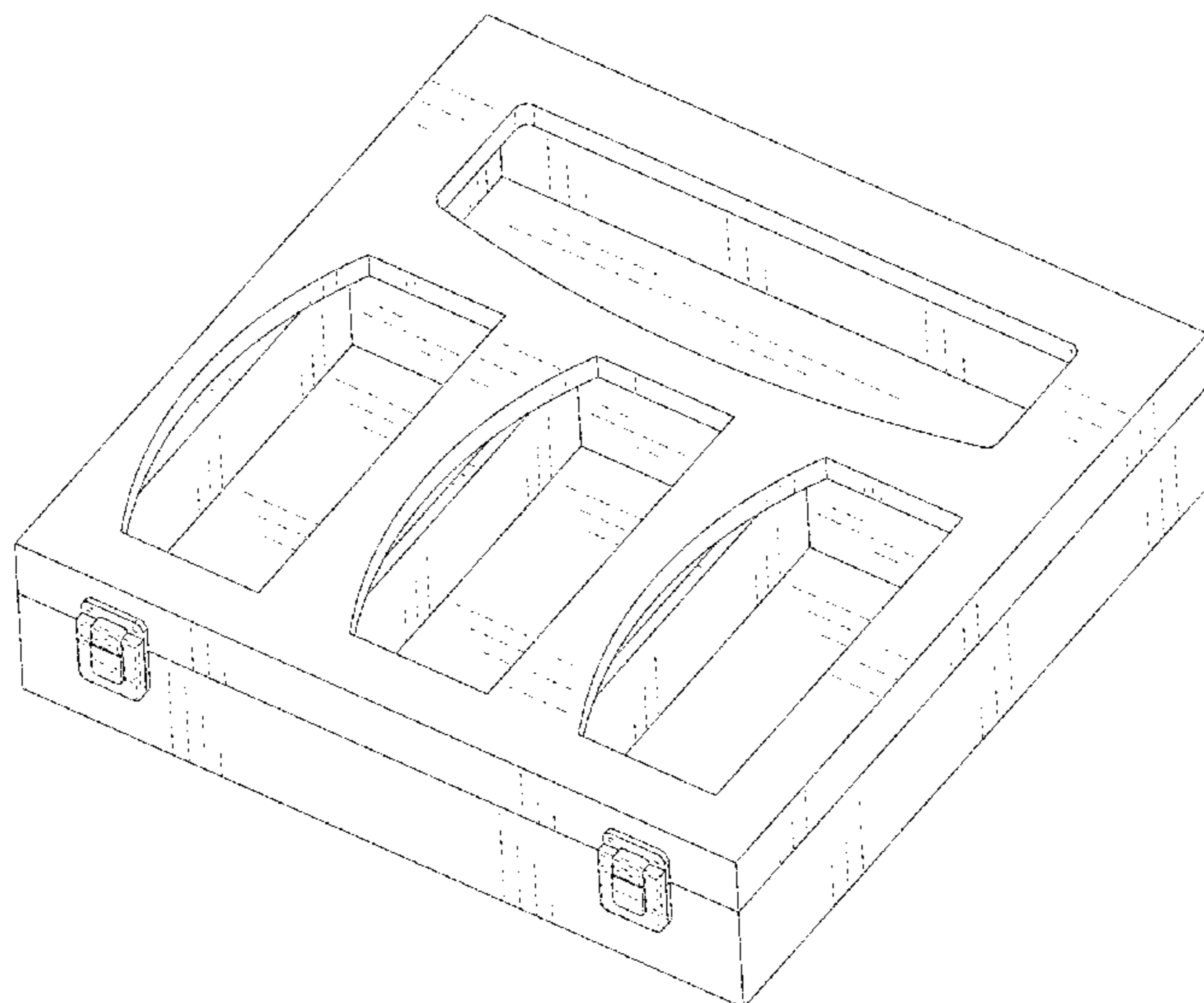
(57) **CLAIM**

The ornamental design for a bag storage organizer, as shown and described.

DESCRIPTION

FIG. 1 is a perspective view of a bag storage organizer showing my new design;
FIG. 2 is another perspective view thereof;
FIG. 3 is a front elevational view thereof;
FIG. 4 is a rear elevational view thereof;
FIG. 5 is a left side view thereof;
FIG. 6 is a right side view thereof;
FIG. 7 is a top plan view thereof;
FIG. 8 is a bottom plan view thereof; and,
FIG. 9 is the perspective view of a bag storage organizer in its open position.
The broken lines in the figures are for the purpose of illustrating portions of the bag storage organizer which form no part of the claimed design.

1 Claim, 7 Drawing Sheets



(56)

References Cited

U.S. PATENT DOCUMENTS

D683,986 S *	6/2013	Murphy	D6/515
D686,842 S *	7/2013	Murphy	D6/515
D686,843 S *	7/2013	Murphy	D6/515
D688,460 S	8/2013	Schmidt	
D731,183 S	6/2015	Kuhls	
D787,342 S *	5/2017	Romito	D9/730
D804,808 S	12/2017	Ukrainisky	
D844,986 S	4/2019	Zhao	
D886,487 S *	6/2020	Sukyias	D6/518
D906,670 S	1/2021	Kuhls	
D949,504 S *	4/2022	Abbott	D34/10

* cited by examiner

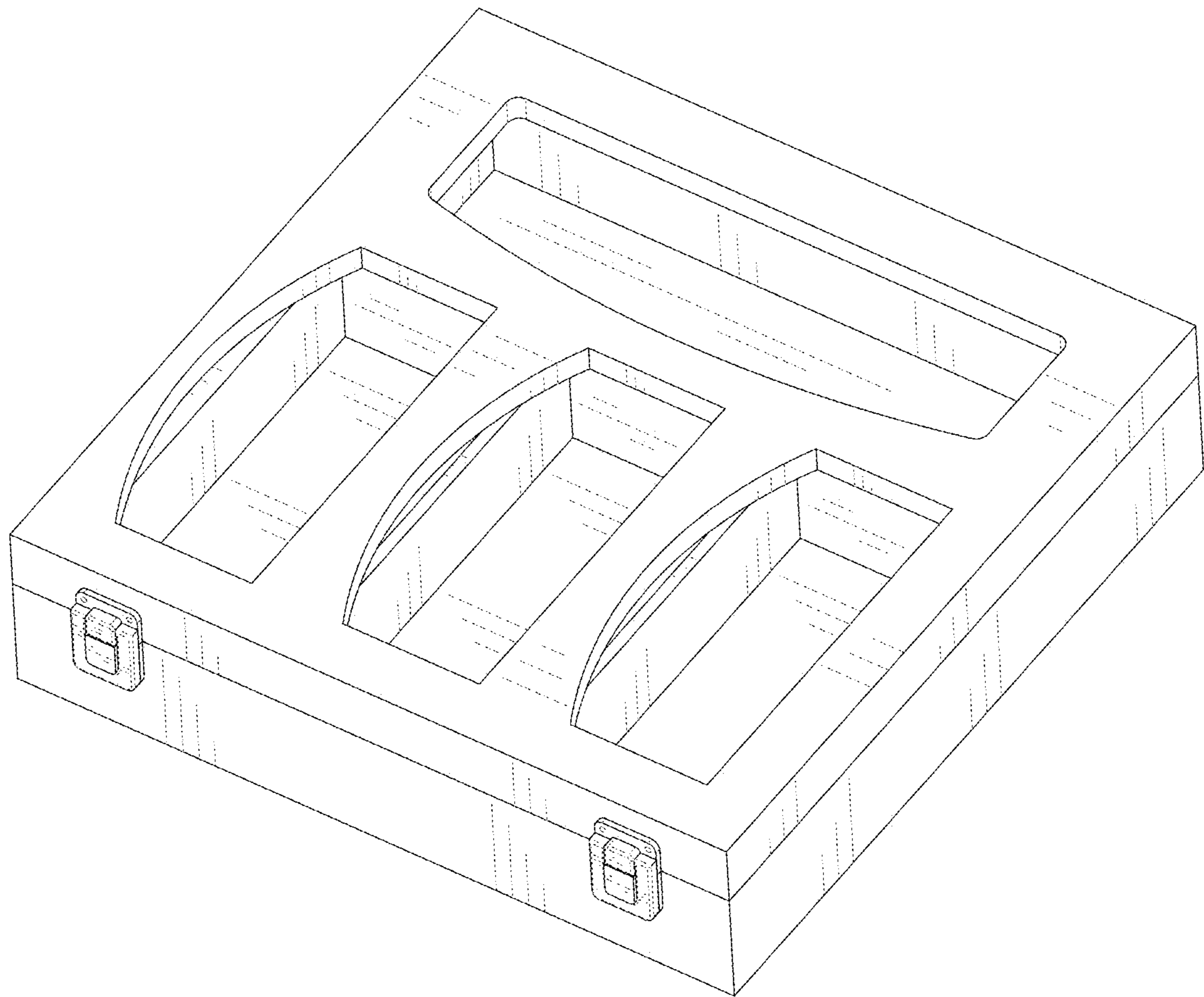


FIG. 1

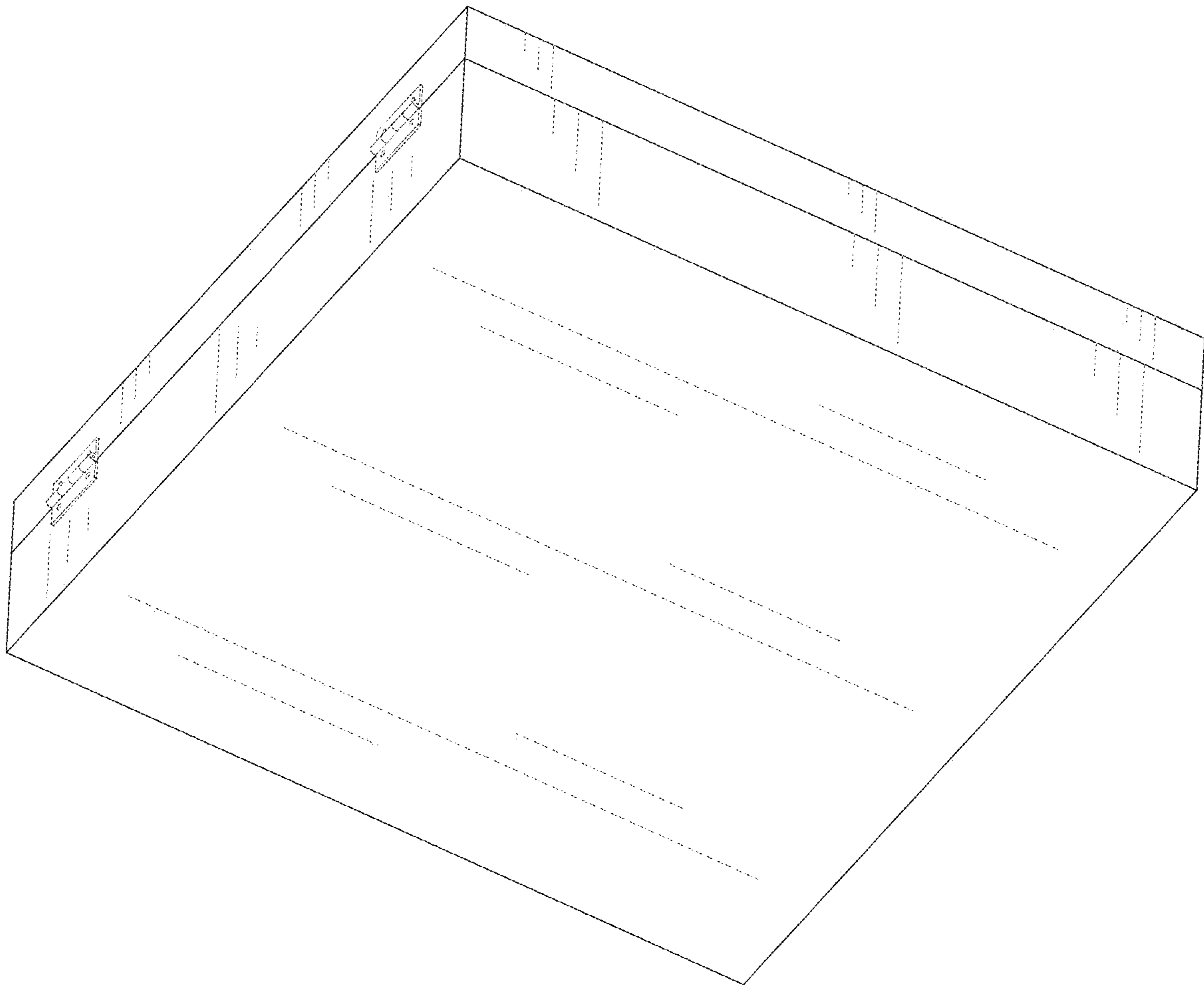


FIG. 2

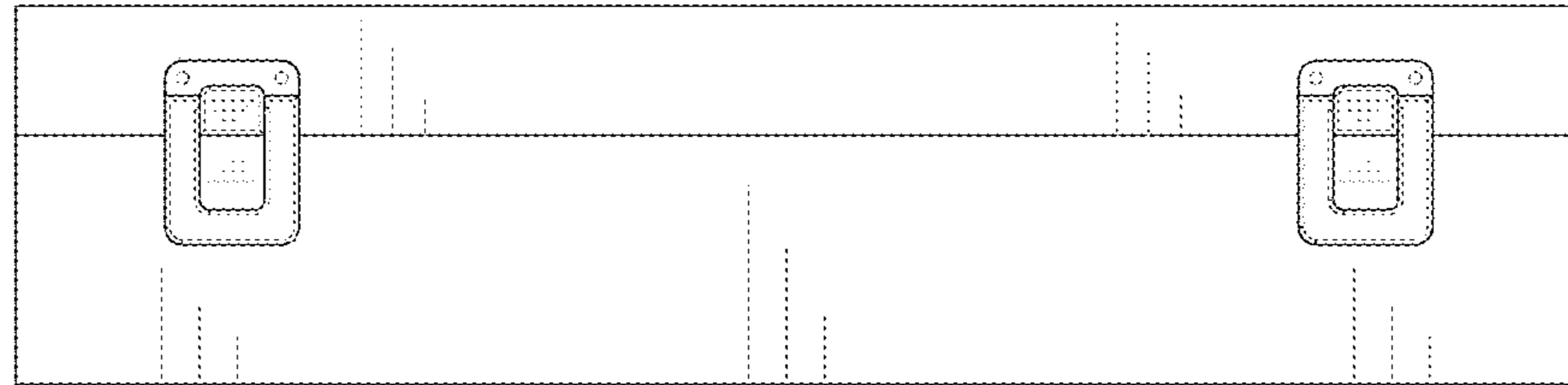


FIG. 3

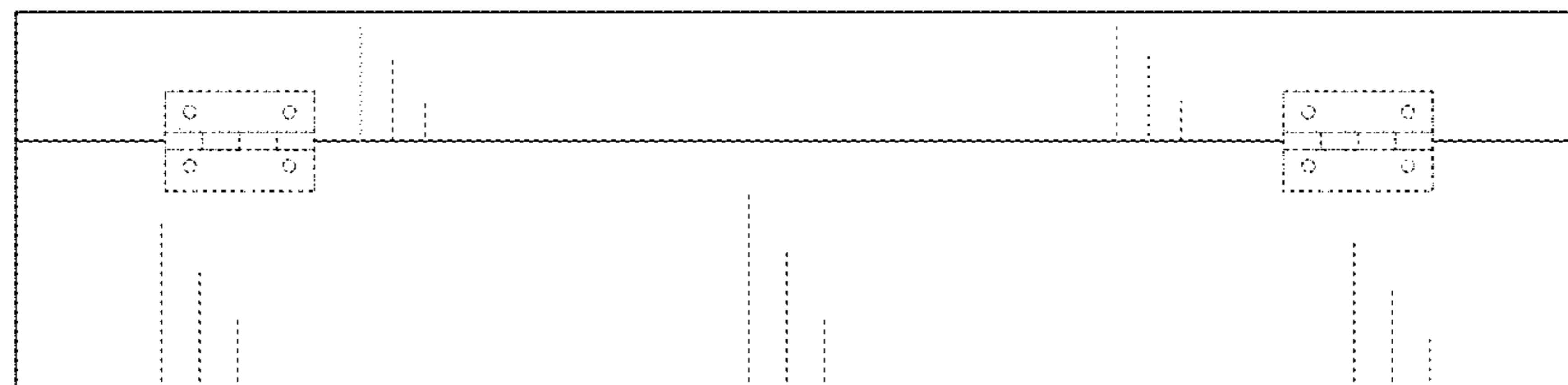


FIG. 4

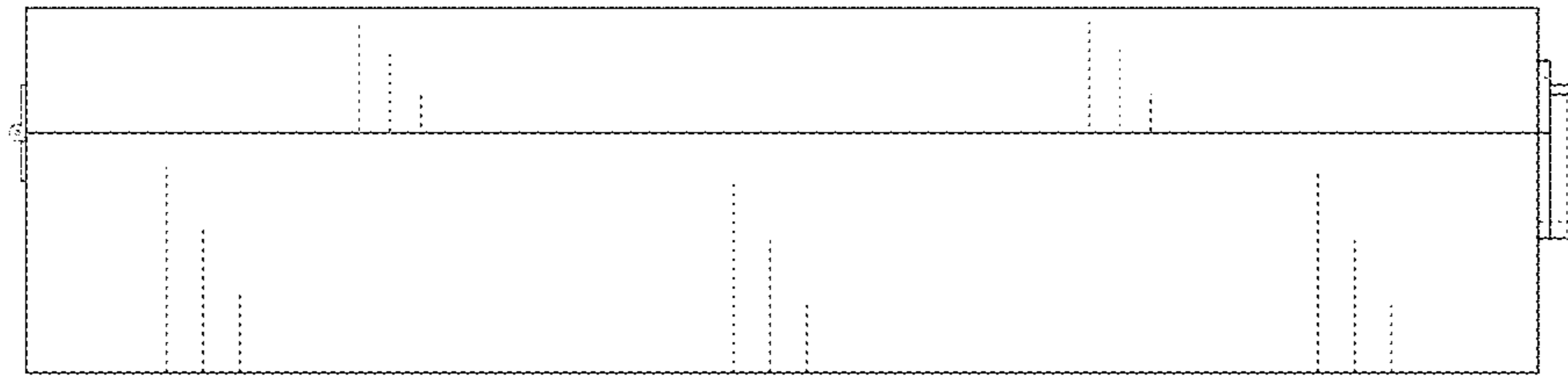


FIG. 5

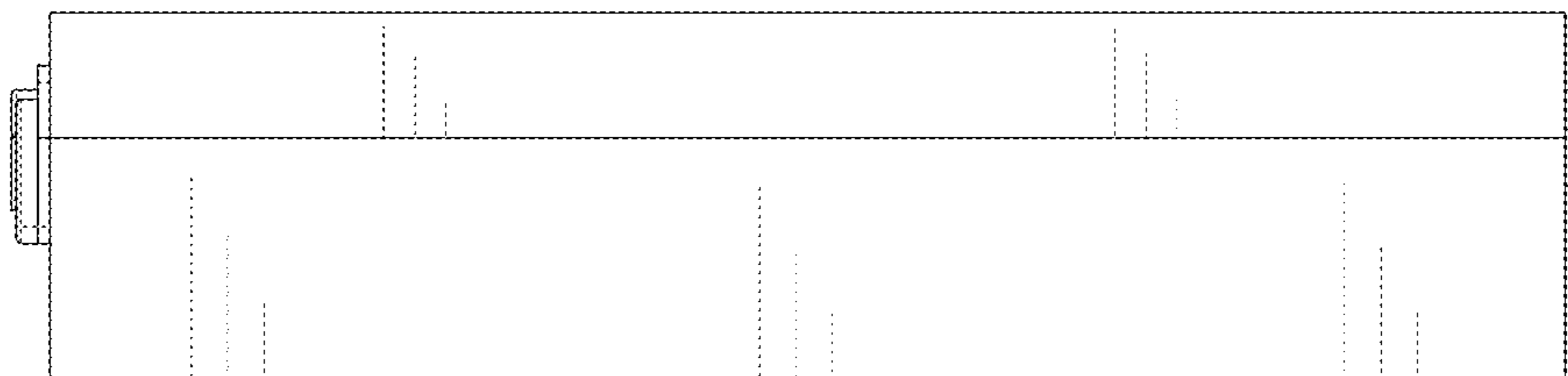


FIG. 6

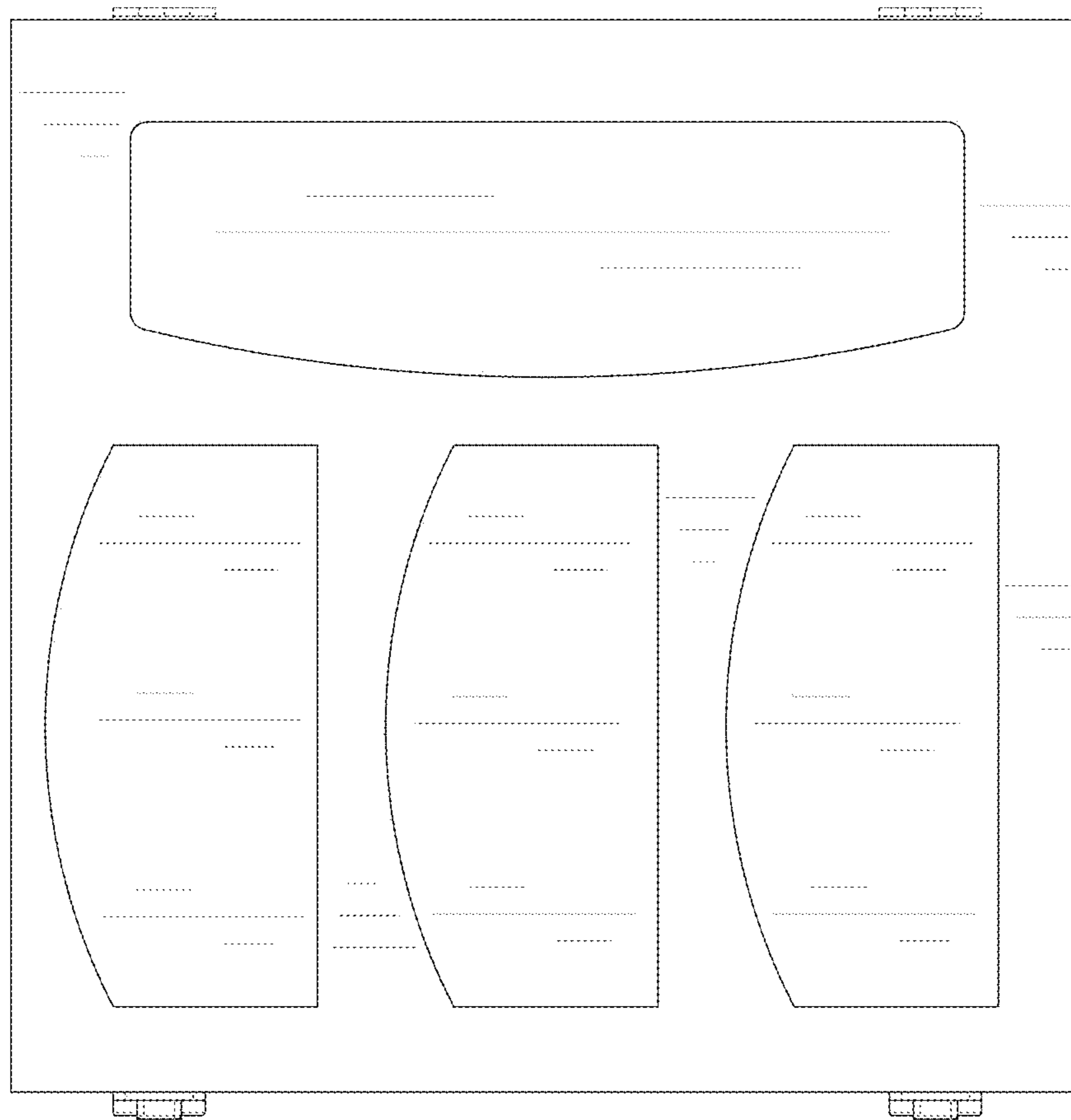


FIG. 7

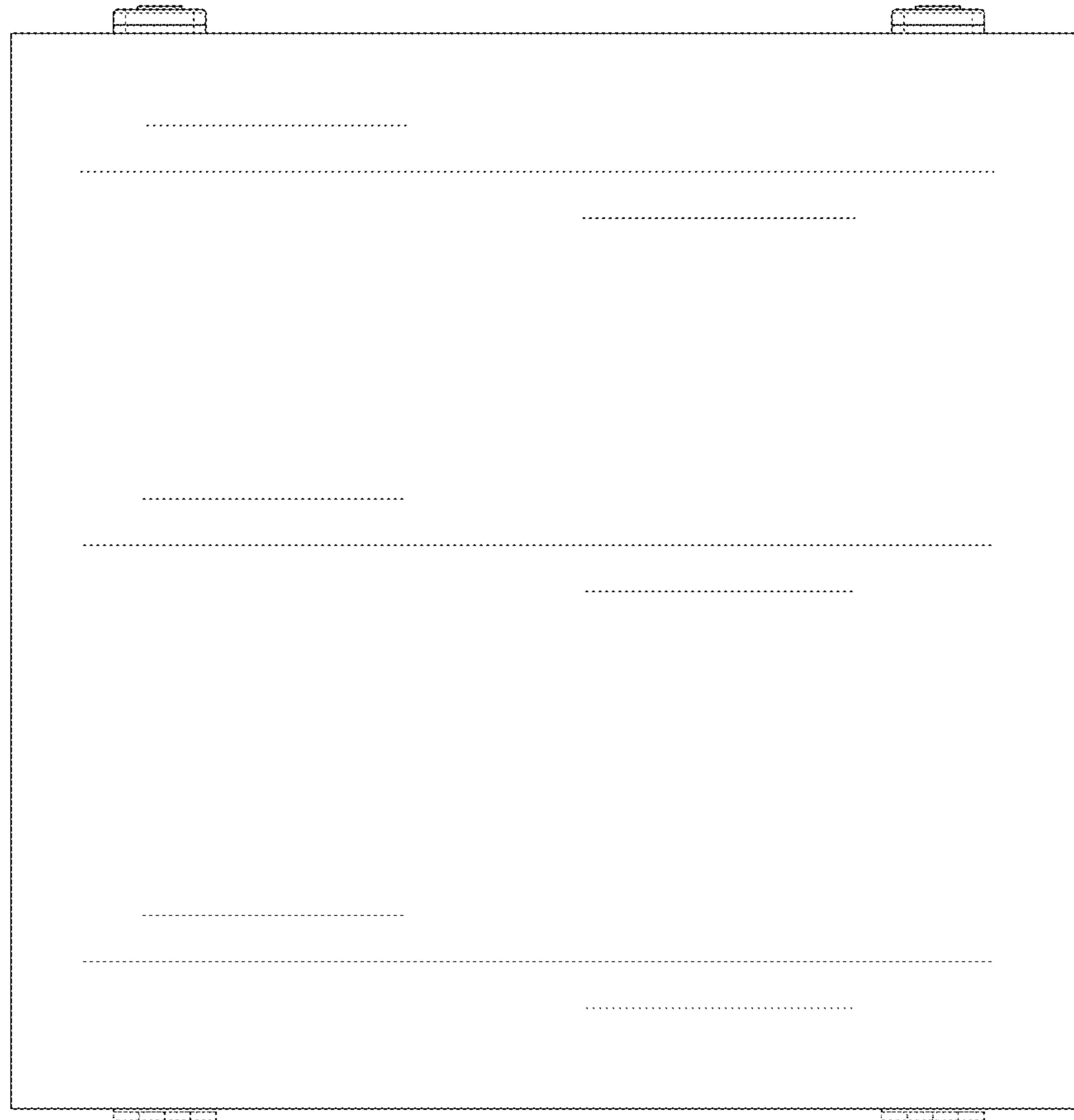


FIG. 8

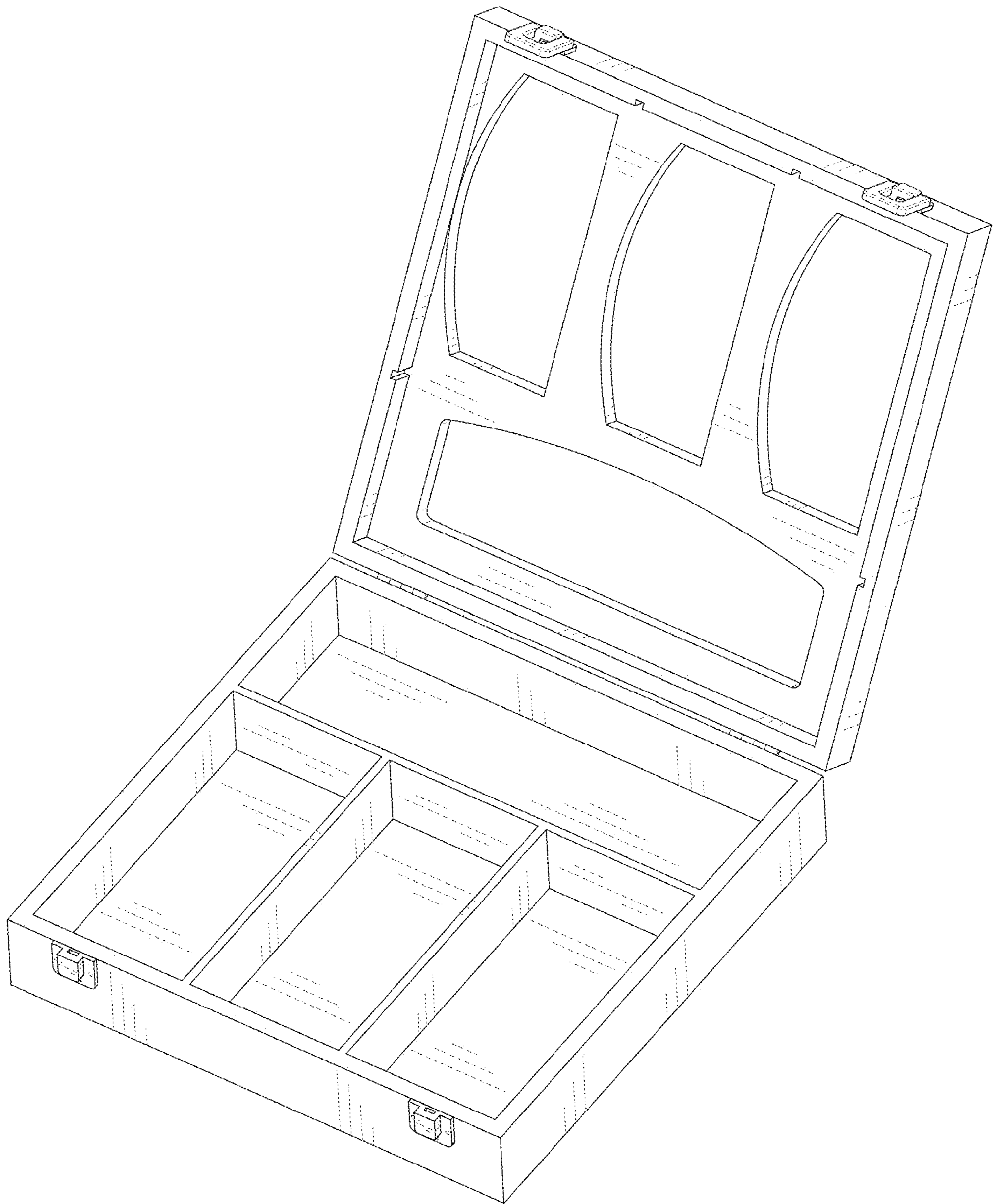


FIG. 9