



US00D973378S

(12) **United States Design Patent** (10) **Patent No.:** **US D973,378 S**
Xiao (45) **Date of Patent:** **** Dec. 27, 2022**

(54) **DECK CHAIR**

(71) Applicant: **Jun Xiao**, Guangzhou (CN)

(72) Inventor: **Jun Xiao**, Guangzhou (CN)

(**) Term: **15 Years**

(21) Appl. No.: **29/764,958**

(22) Filed: **Jan. 5, 2021**

(51) **LOC (13) Cl.** **06-01**

(52) **U.S. Cl.**
USPC **D6/361**

(58) **Field of Classification Search**

USPC D6/360, 361, 367, 368, 369, 370, 382
CPC .. A47C 1/02; A47C 1/028; A47C 1/14; A47C
3/143; A47C 4/04; A47C 4/08; A47C
4/18; A47C 5/02

See application file for complete search history.

(56) **References Cited**

U.S. PATENT DOCUMENTS

1,738,137	A *	12/1929	Brady	A47C 17/22 5/17
4,844,540	A *	7/1989	Pegram	A47C 21/022 297/229
D308,769	S *	6/1990	Frinier	D6/361
D545,581	S *	7/2007	Gower	D6/361
D650,602	S *	12/2011	Massaud	D6/361
D657,969	S *	4/2012	Nguyen	D6/369
D707,049	S *	6/2014	Asner	D6/361
D720,144	S *	12/2014	Valette	D6/361
D802,313	S *	11/2017	Bernardi	D6/361
D855,342	S *	8/2019	Lievore	D6/361
D923,348	S *	6/2021	Xiao	D6/361
2019/0145153	A1 *	5/2019	Edelman	A47C 1/143 297/188.01
2021/0007474	A1 *	1/2021	Nye	A47B 9/14

OTHER PUBLICATIONS

Amazon.com. https://www.amazon.com/Christopher-Knight-Home-311725-Cynthia/dp/B082PH72LR/ref=sr_1_60?crd=M6AGV2BAMSR6&keywords=outdoor+chaise&qid=1652728762&prefix=outdoor+%2Caps%2C50&sr=8-60. "Christopher Knight Home . . . Chaise Lounge". Date Unknown: Viewed May 2022 (Year: 2022).*

* cited by examiner

Primary Examiner — R. Johnson

(57) **CLAIM**

The ornamental design for a deck chair, as shown and described.

DESCRIPTION

FIG. 1 is a first perspective view of a deck chair showing my new design;

FIG. 2 is a second perspective view thereof;

FIG. 3 is a front view thereof;

FIG. 4 is a back view thereof;

FIG. 5 is a left side view thereof;

FIG. 6 is a right side view thereof;

FIG. 7 is a top view thereof;

FIG. 8 is a bottom view thereof;

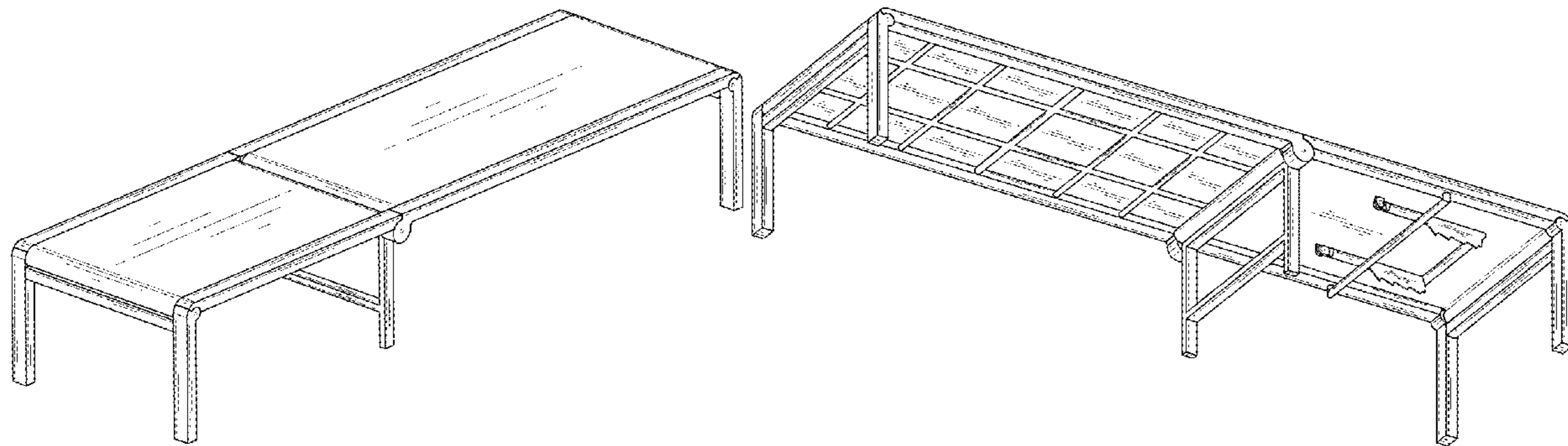
FIG. 9 is a perspective view of thereof; the backrest shown in a raised position;

FIG. 10 is bottom view; the deck chair shown in a folded condition; and,

FIG. 11 is a right side view thereof; the deck chair shown in a folded condition.

The broken lines shown in the drawings depict portions of the deck chair in which the design is embodied that form no part of the claimed design.

1 Claim, 11 Drawing Sheets



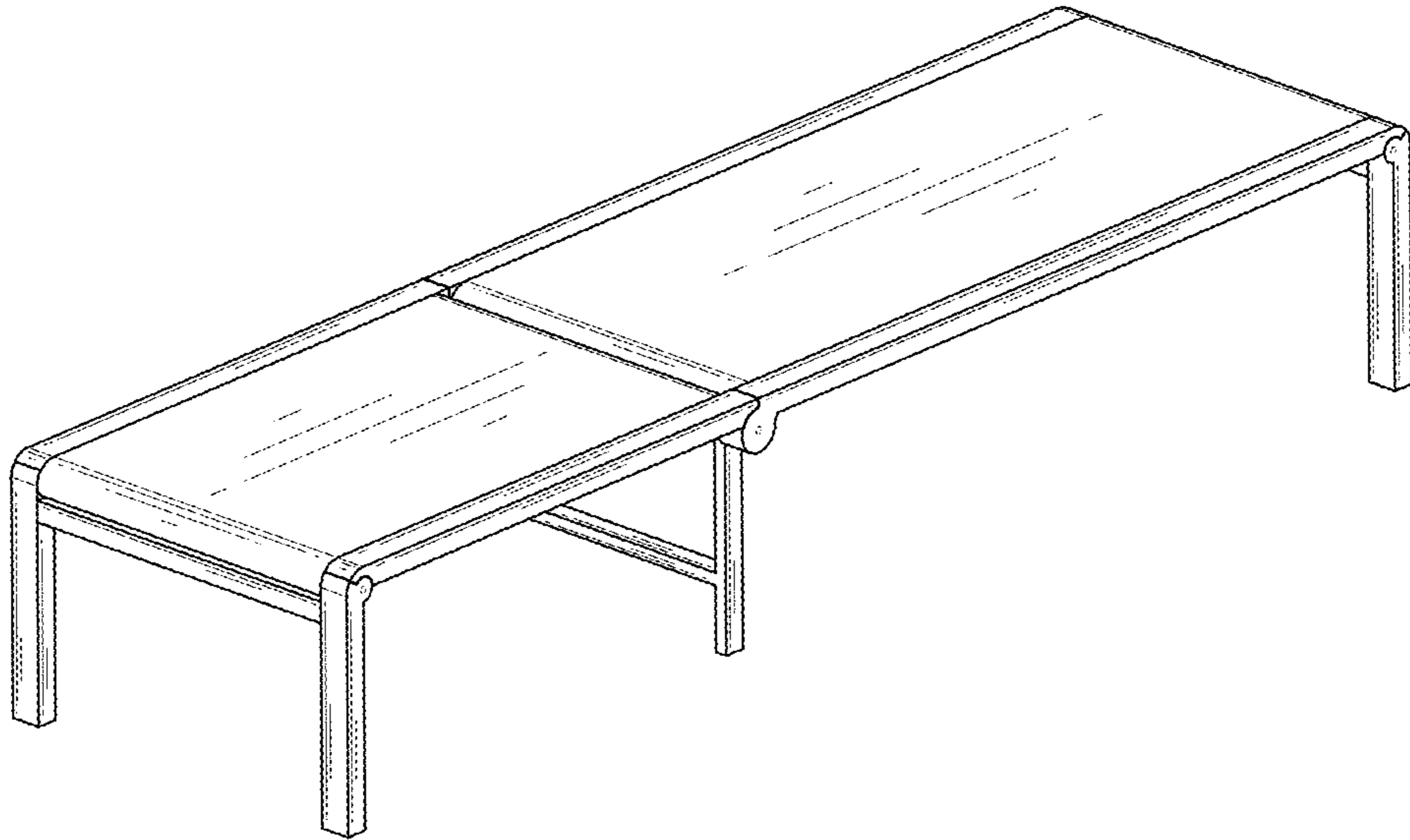


FIG. 1

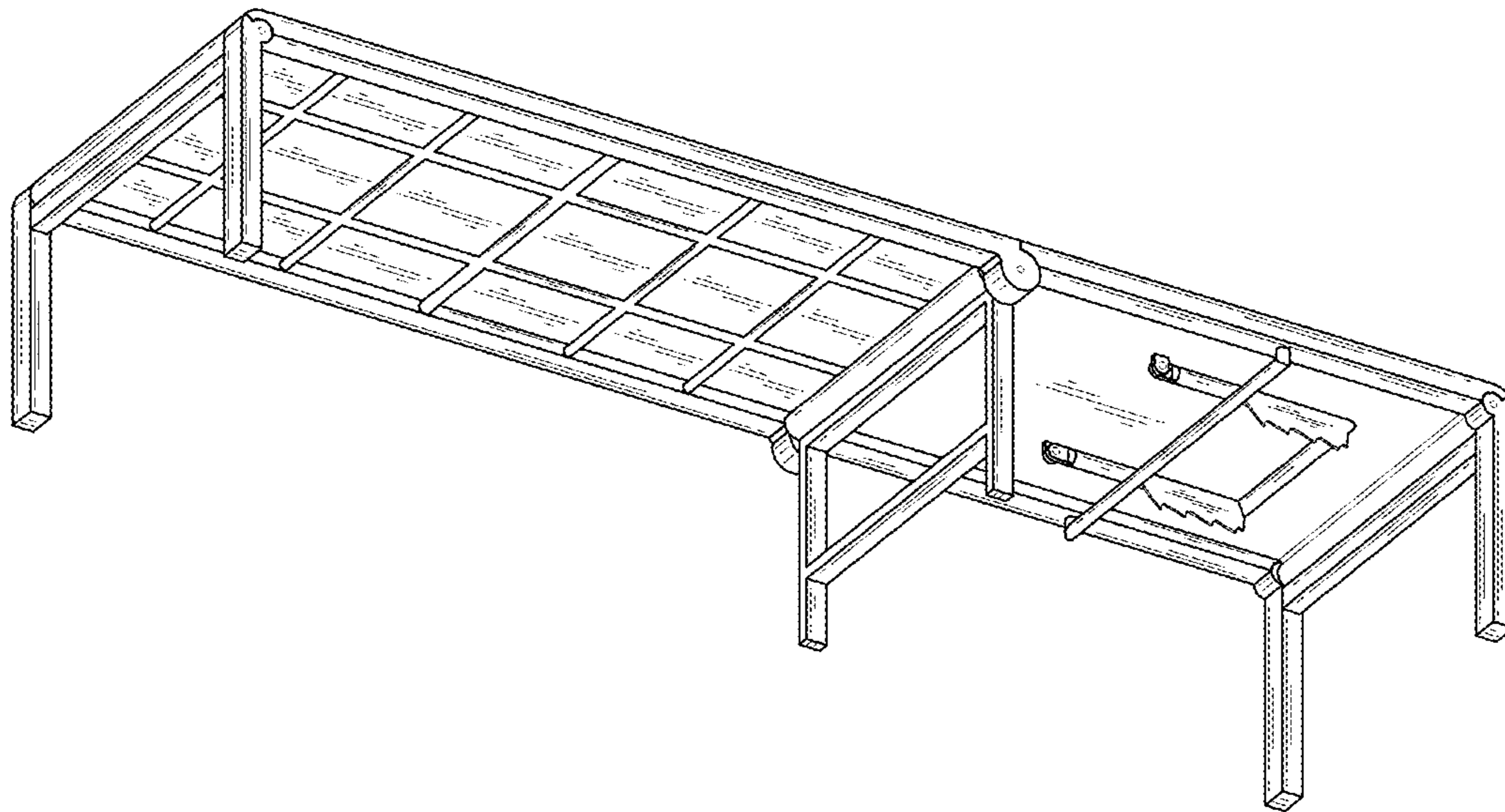


FIG. 2

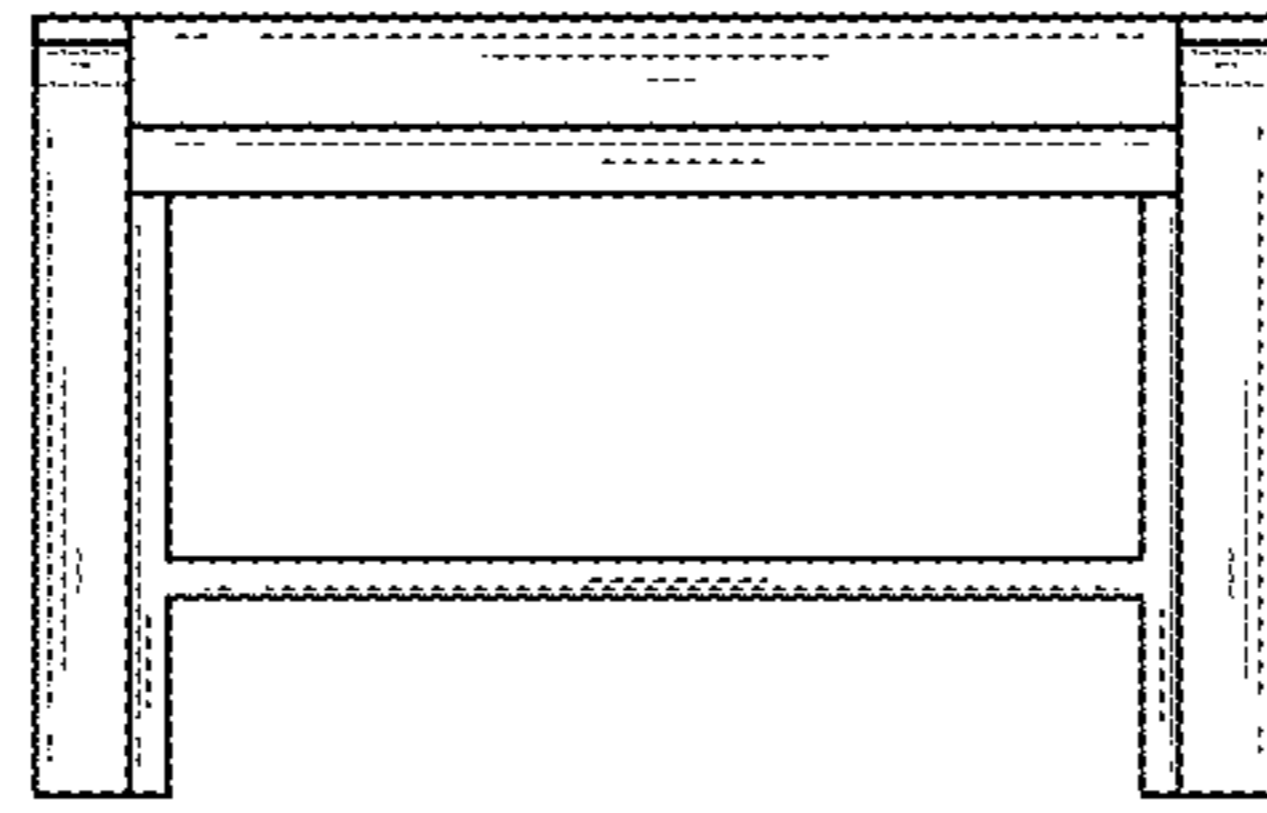


FIG. 3

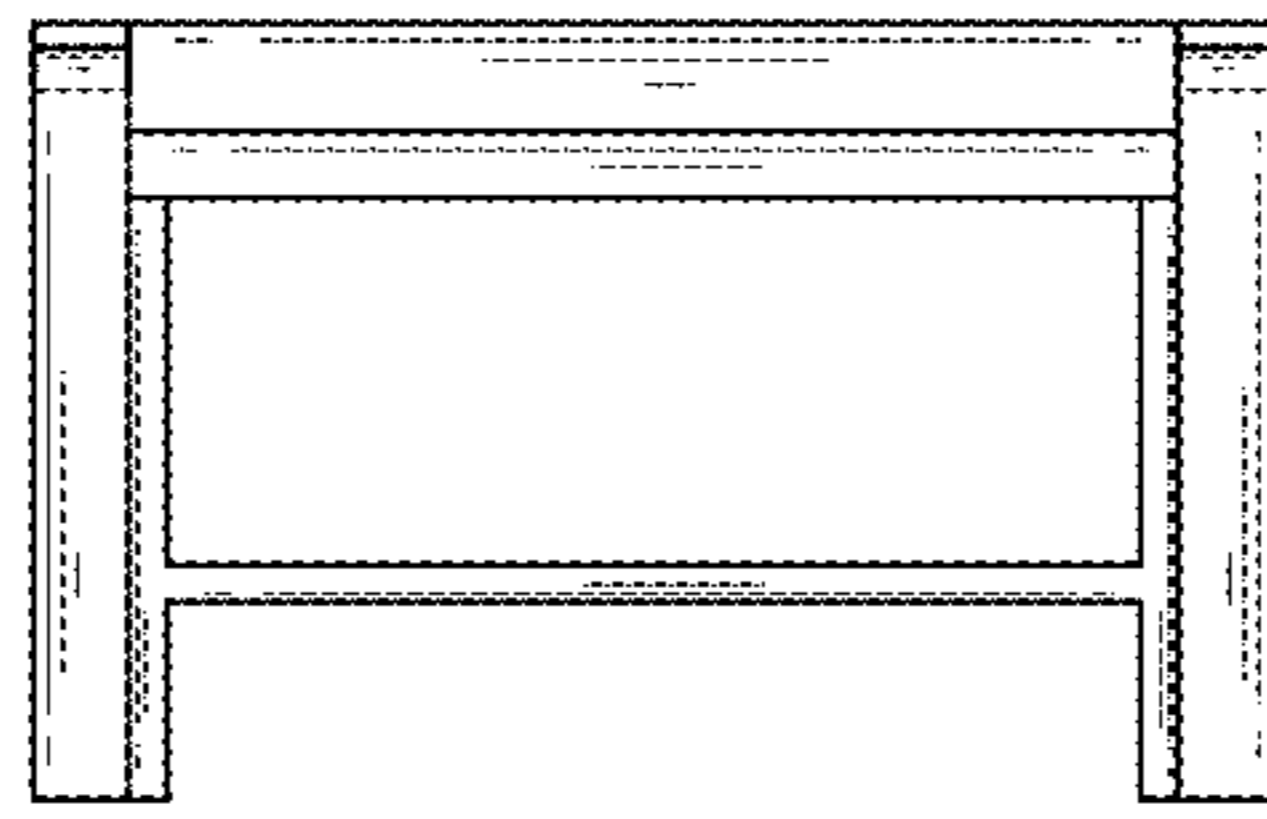


FIG. 4

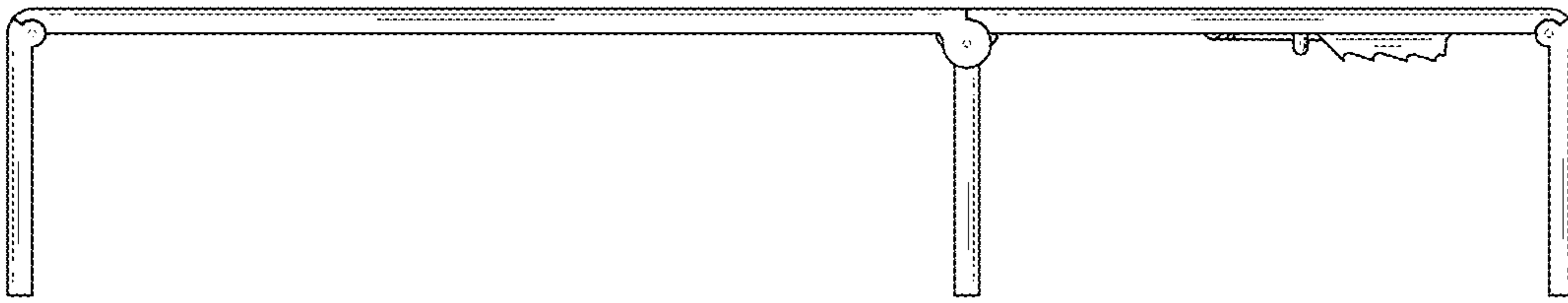


FIG. 5

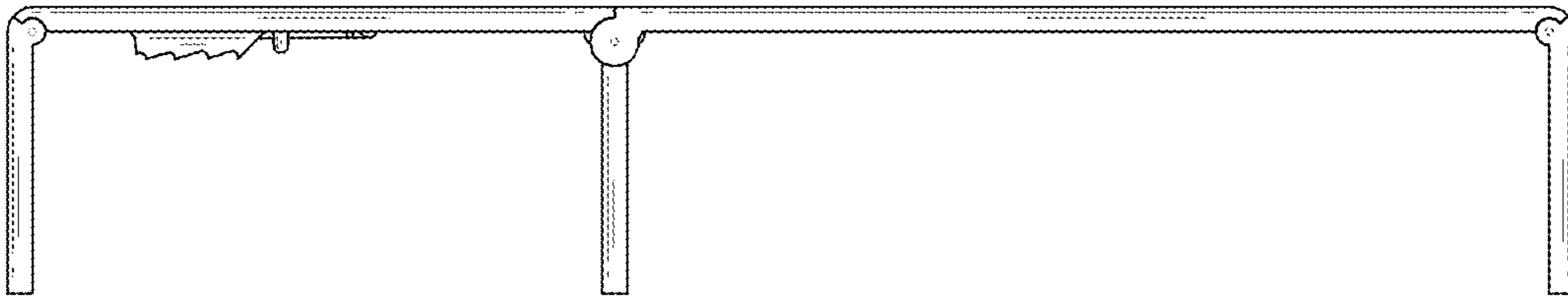


FIG. 6

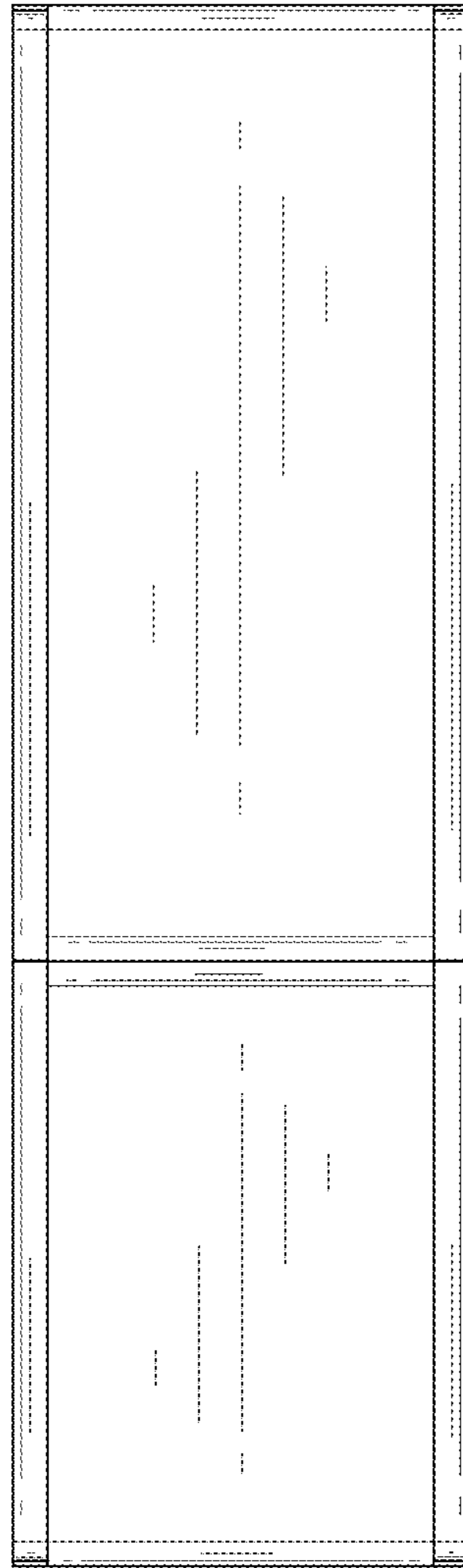


FIG. 7

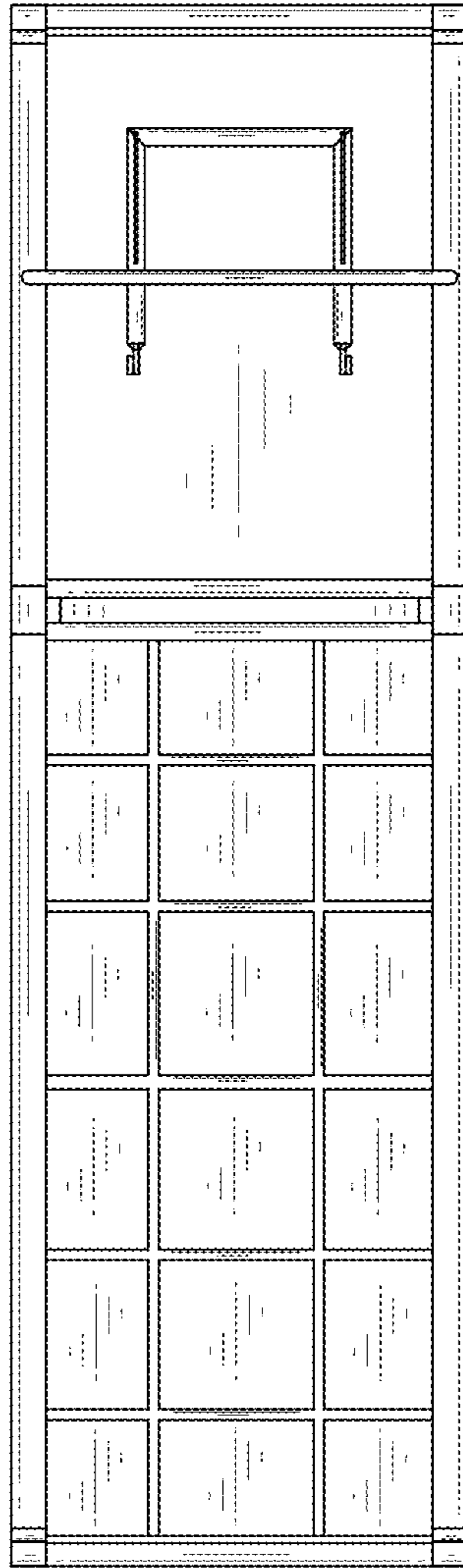


FIG. 8

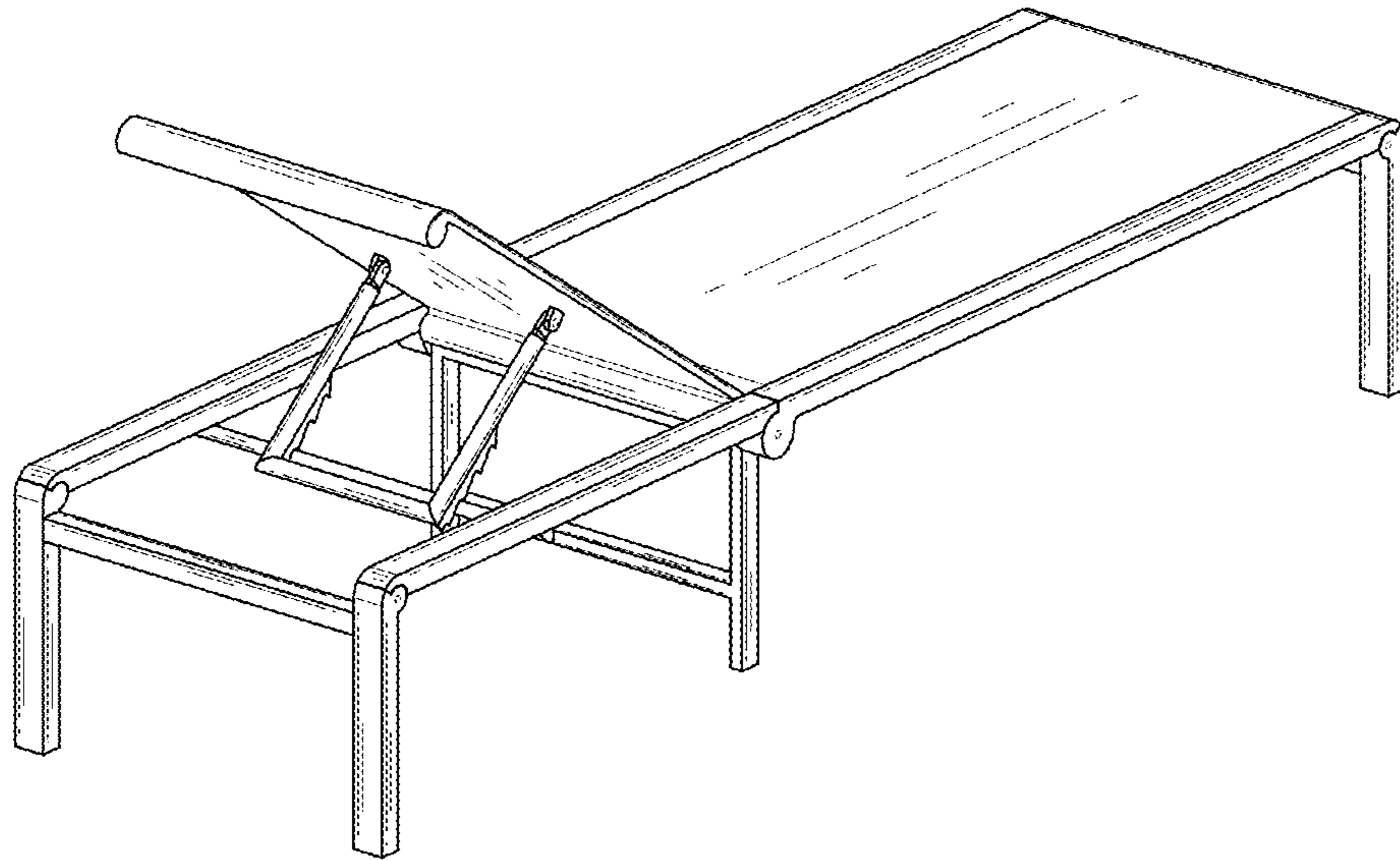


FIG. 9

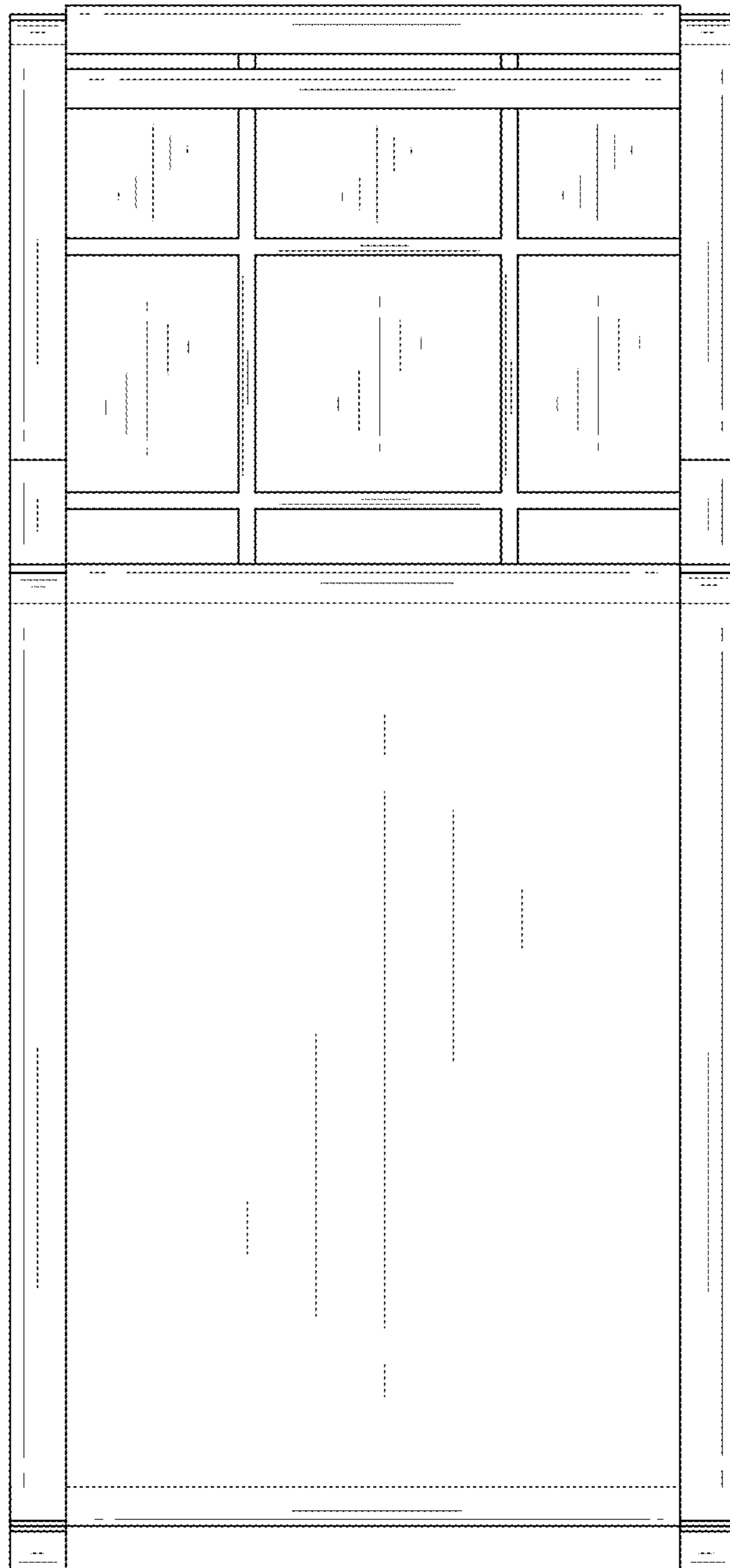


FIG. 10

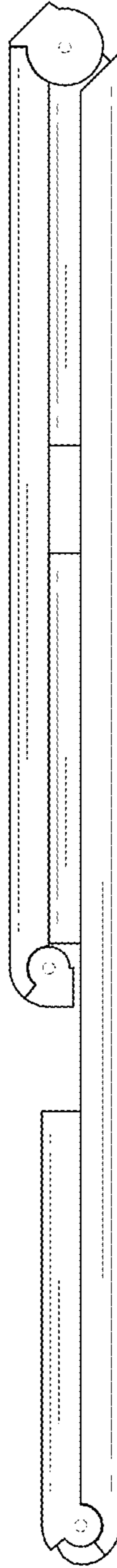


FIG. 11