

US00D973369S

(12) **United States Design Patent** (10) **Patent No.:** **US D973,369 S**
Park (45) **Date of Patent:** **** Dec. 27, 2022**

(54) **MULTI-PURPOSE GROOMING DEVICE**

(71) Applicant: **Don Park**, Carlstadt, NJ (US)

(72) Inventor: **Don Park**, Carlstadt, NJ (US)

(**) Term: **15 Years**

(21) Appl. No.: **29/743,216**

(22) Filed: **Jul. 20, 2020**

(51) **LOC (13) Cl.** **04-01**

(52) **U.S. Cl.**
USPC **D4/117; D28/25**

(58) **Field of Classification Search**
USPC D4/116-121, 130, 132, 134, 137, 138,
D4/105, 106, 108, 114, 129; D32/35,
D32/40-42, 46, 49, 51, 52; D28/25,
D28/29-31; D9/695-697
CPC .. A46B 3/18; A46B 5/00; A46B 9/021; A46B
11/00; A46B 11/0003; A46B 2200/1053;
A45D 40/26; A45D 40/265
See application file for complete search history.

(56) **References Cited**

U.S. PATENT DOCUMENTS

D123,430	S	*	11/1940	Herfzberg	D4/117
D130,437	S	*	11/1941	Twigg-Patterson	D4/106
2,272,151	A	*	2/1942	Hertzberg	A45D 24/18
						132/122
D137,637	S	*	4/1944	Potts	D28/25
D159,106	S	*	6/1950	Stamp	132/122
2,602,457	A	*	7/1952	Mele	A45D 24/16
						132/122
D190,333	S	*	5/1961	Gunderson	D4/118
D197,638	S	*	3/1964	Lardenois	D4/117
D466,306	S	*	12/2002	Skwarek	D4/136
D487,944	S	*	3/2004	Anthony	D28/29
7,322,365	B2	*	1/2008	Kelloyan	A45D 24/16
						132/200
D742,650	S	*	11/2015	Albers	D4/116

(Continued)

OTHER PUBLICATIONS

Amazon-Boao; Boao Store; "6 pieces Hair Edge Brush with Rat Tail Comb Double Sided Control Hair Comp Hair Edge Brush Comb for Hair or Eyebrow"; [online] 'http://amazon.com/dp/B088PSV6C31'; no date; accessed Apr. 25, 2022; 2pgs. (Year: 2022).*

Primary Examiner — Keli L Hill

(74) *Attorney, Agent, or Firm* — John H. Choi & Associates

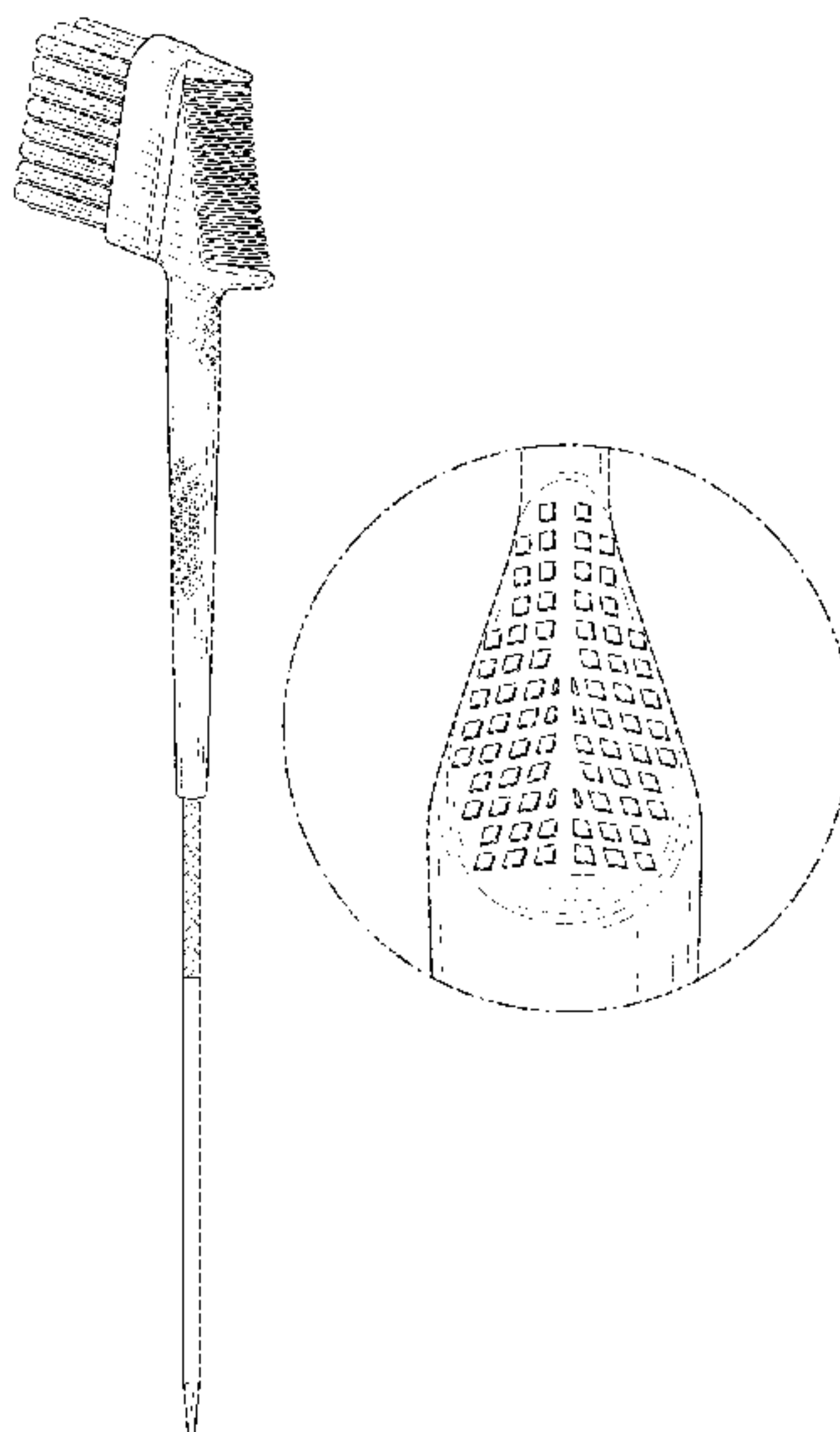
(57) **CLAIM**

The ornamental design for a multi-purpose grooming device, as shown and described.

DESCRIPTION

FIG. 1 is a perspective view of an embodiment of the multi-purpose grooming device showing my new design; FIG. 2 is a front plan view of the multi-purpose grooming device of FIG. 1; FIG. 3 is a rear plan view of the multi-purpose grooming device of FIG. 1; FIG. 4 is a left side view of the multi-purpose grooming device of FIG. 1, with the right side view being a mirror image of the left side view; FIG. 5 is a top plan view of the multi-purpose grooming device of FIG. 1; FIG. 6 is a bottom plan view of the multi-purpose grooming device of FIG. 1; FIG. 7 is FIG. 2 with a front upper grip detailed; FIG. 8 is an enlarged view of the front upper grip of FIG. 7; FIG. 9 is FIG. 3 with a rear upper grip detailed; FIG. 10 is an enlarged view of the rear upper grip of FIG. 9; FIG. 11 is FIG. 4 with a left intermediate grip detailed, a right intermediate grip on the right side being a mirror image the left intermediate grip; and, FIG. 12 is an enlarged view of the left intermediate grip of FIG. 11.

1 Claim, 11 Drawing Sheets



(56)

References Cited

U.S. PATENT DOCUMENTS

D744,758 S	*	12/2015	Albers	D4/121
D866,984 S	*	11/2019	Odum	D4/117
D884,358 S	*	5/2020	Kweon	D4/116
D890,529 S	*	7/2020	Choi	D4/120
D892,507 S	*	8/2020	Odum	D4/117
D932,779 S	*	10/2021	Choi	D4/120
D941,588 S	*	1/2022	Russo	D4/120
D945,164 S	*	3/2022	Ivory	D4/119
D948,873 S	*	4/2022	Odum	D4/117

* cited by examiner

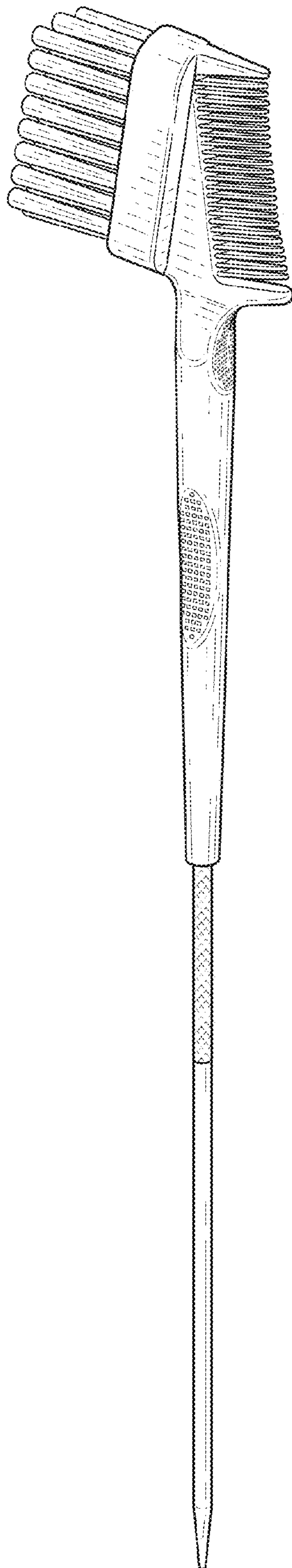


FIG. 1

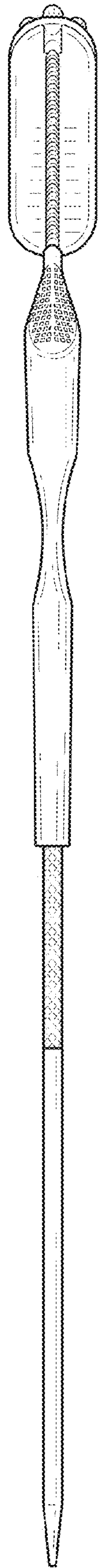


FIG. 2

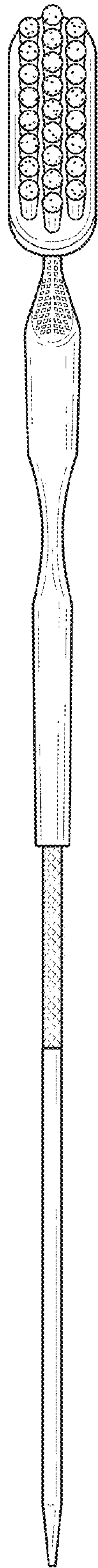


FIG. 3

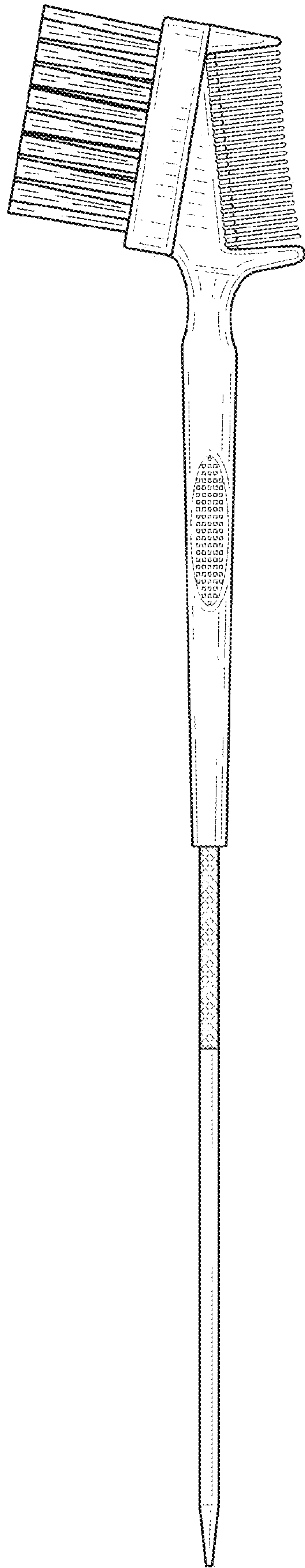


FIG. 4

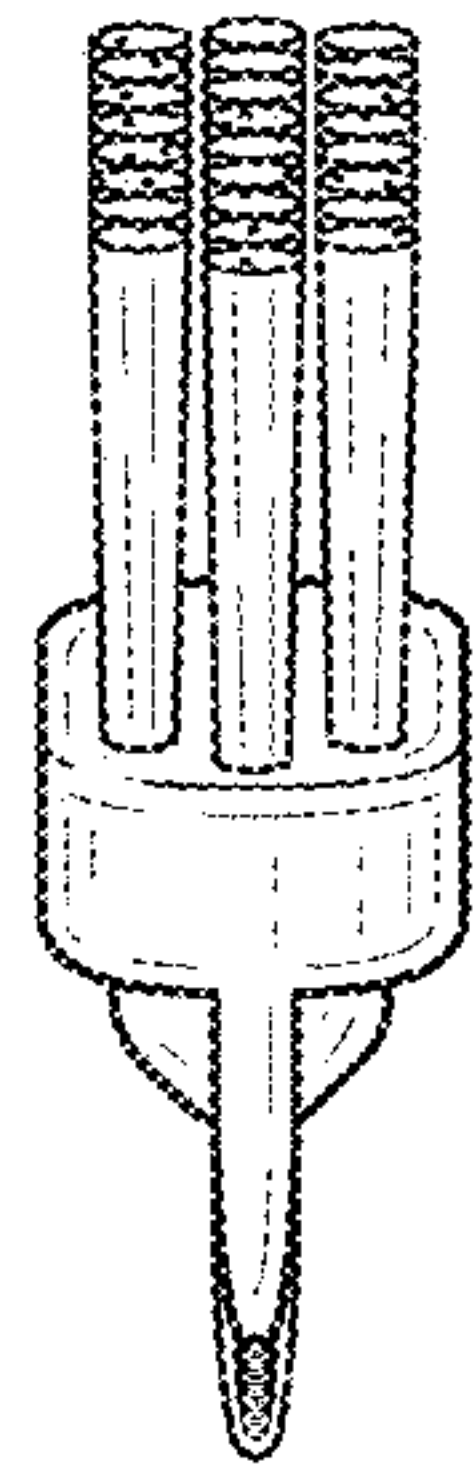


FIG. 5

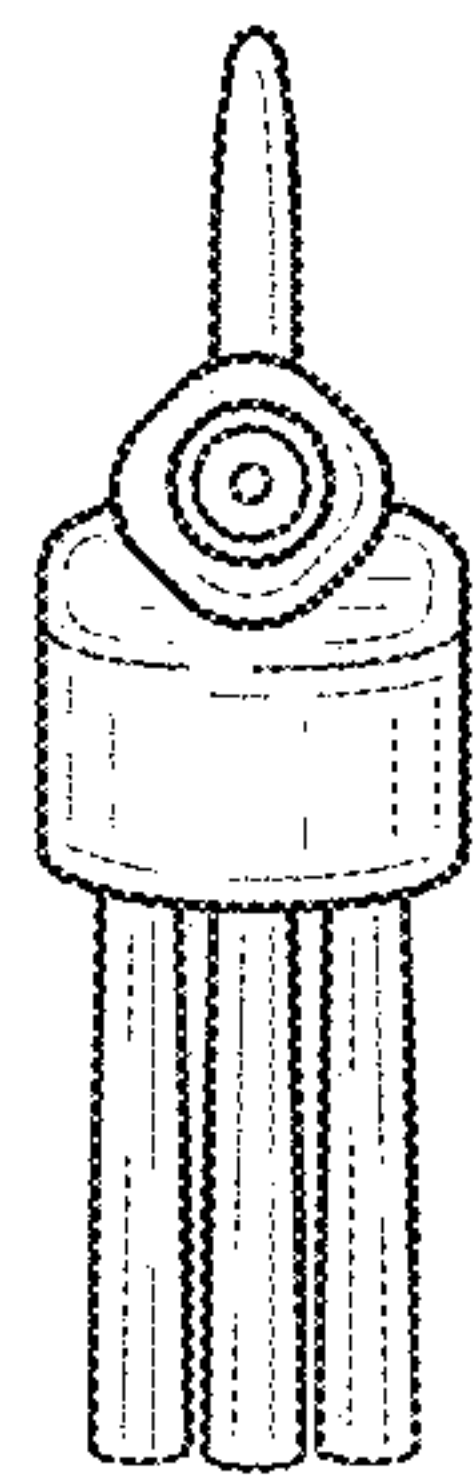


FIG. 6

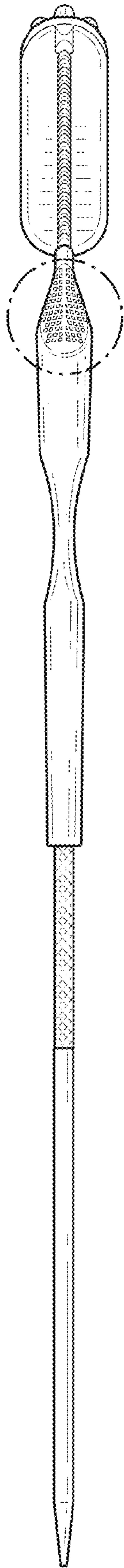


FIG. 7

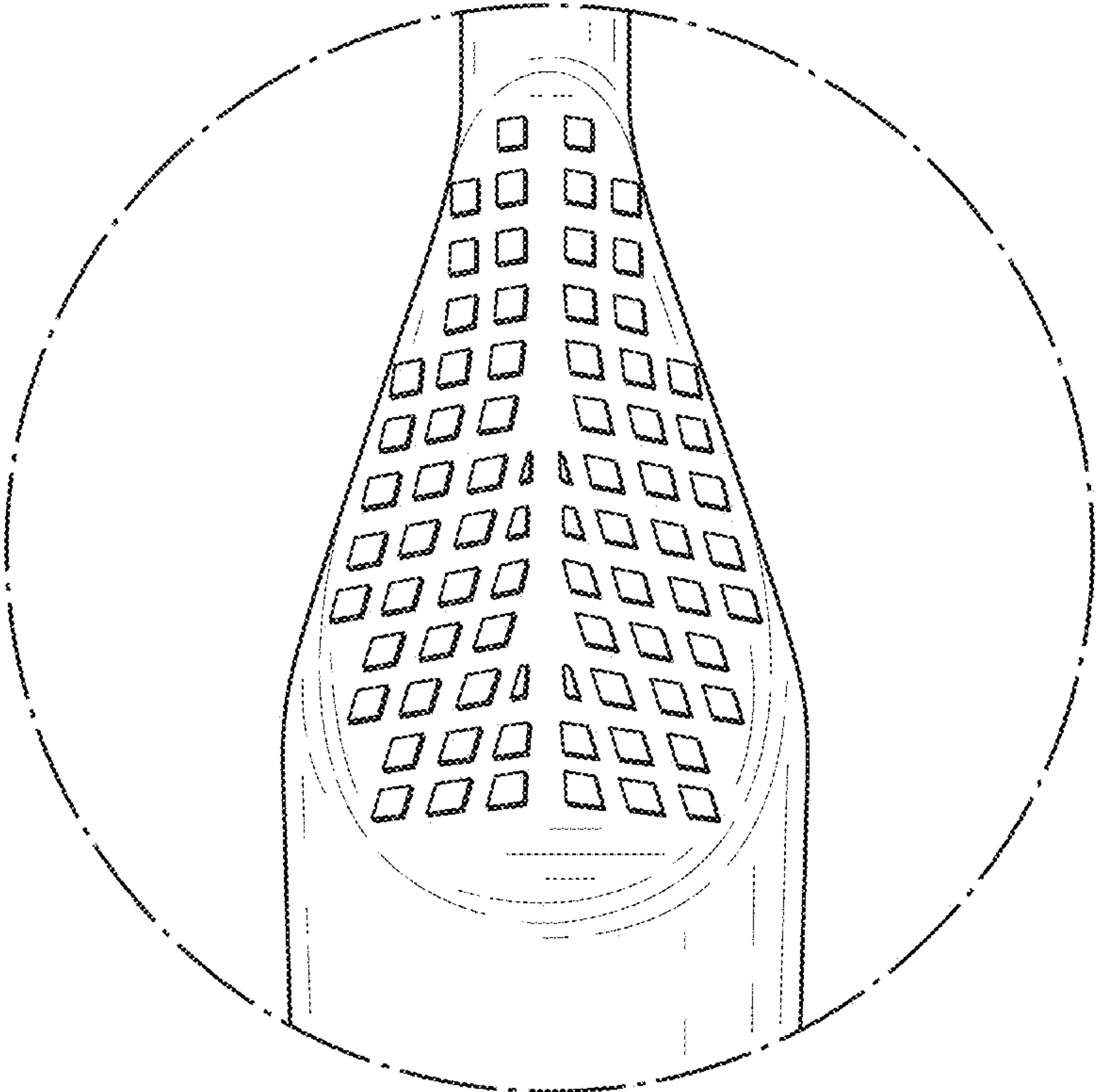


FIG. 8

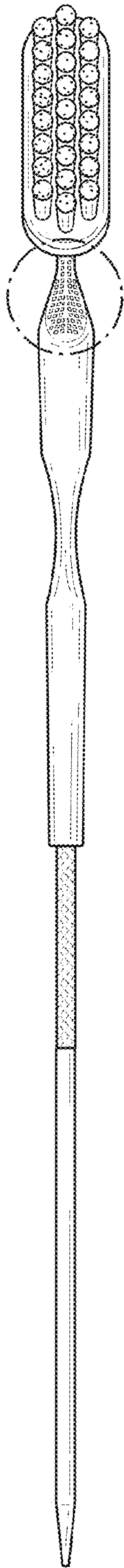


FIG. 9

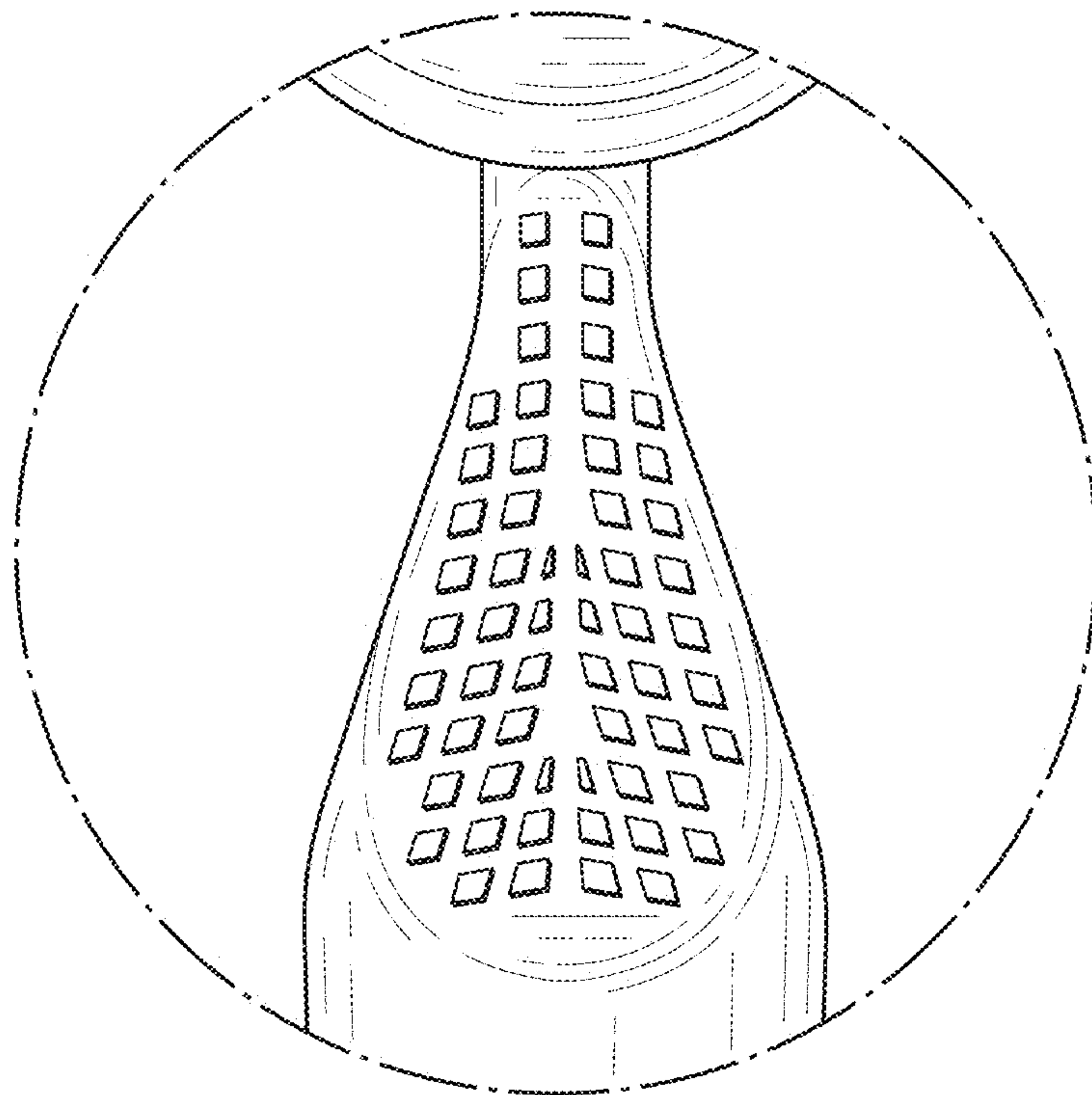


FIG. 10

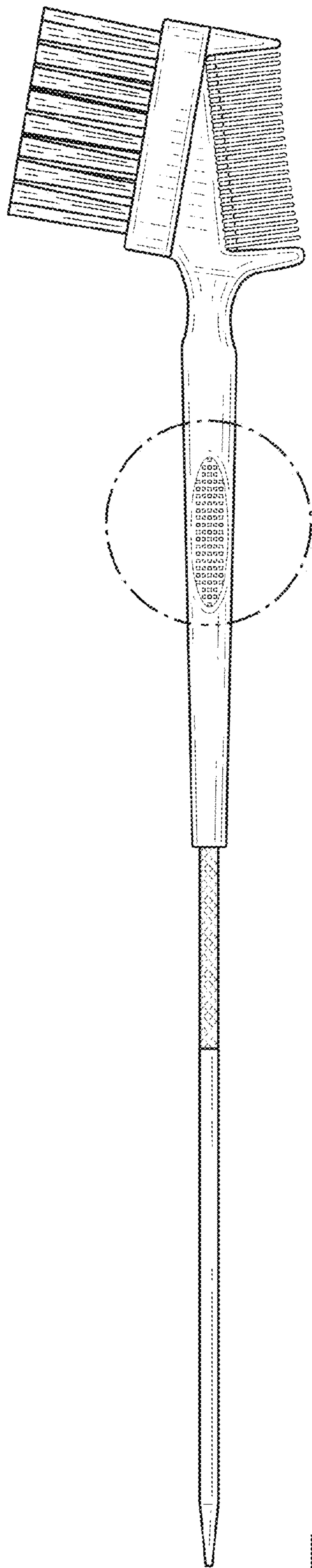


FIG. 11

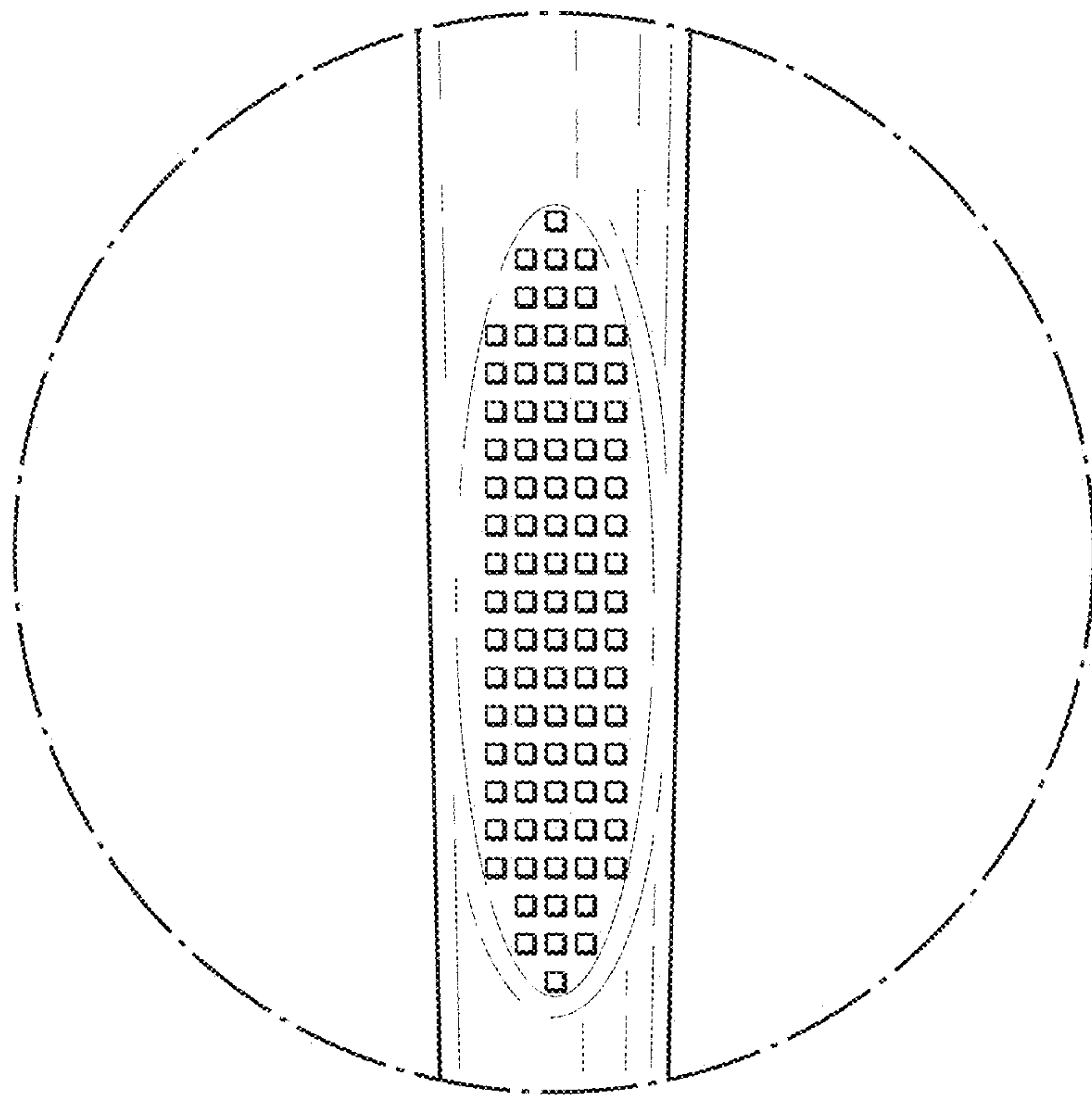


FIG. 12